

# 165 CVX

6.5" Polyglass woofer

- Built-in audiophile crossover
- Polyglass cone
- Adjustable inverted dome tweeter



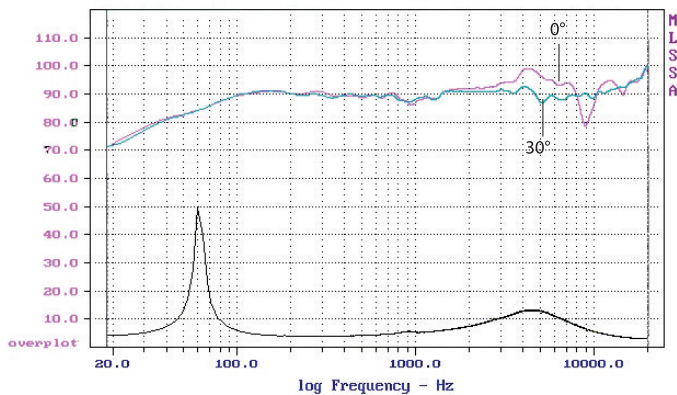
## Specifications

|                             |            |               |
|-----------------------------|------------|---------------|
| Nominal power               | 60 W       |               |
| Maximum power               | 120 W      |               |
| Sensitivity                 | 92 dB      |               |
| Cone                        | Polyglass  |               |
| Surround                    | Butyl      |               |
| Nom. impedance              | 4 ohms     |               |
| DC resistance (in parallel) | 3.49 ohms  |               |
| VC diameter                 | 25 mm      | 1 in          |
| VC height                   | 11 mm      | 7/16 in       |
| Former                      | Kapton®    |               |
| Layers                      | 2          |               |
| Wire                        | Copper     |               |
| <b>Inductance</b>           |            |               |
| Xmax                        | 2.5 mm     | 1/16 in       |
| Magnet (d x h)              | 85 x 15 mm | 3-1/3x9/16 in |
| Magnet weight               | 0.3 kg     | 0.66 lb       |
| Flux density                | 1.1T       |               |
| Gap height                  | 5.5 mm     | 3/16 in       |
| Net weight                  | 0.85 kg    | 1.87 lb       |

## Frequency response / Impedance

Sealed enclosure

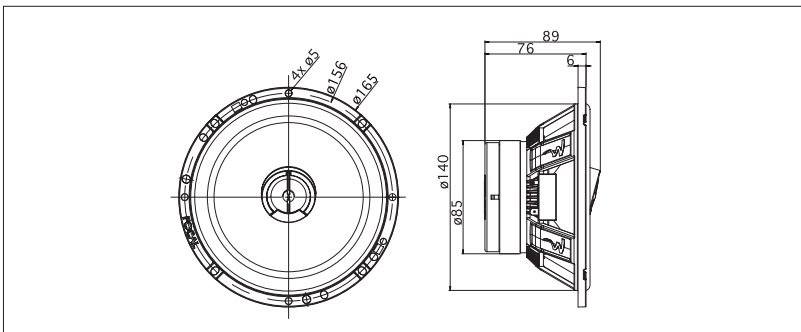
0° and 30° frequency response



## Parameters

|                  |                            |  |
|------------------|----------------------------|--|
| Fs               | 59.58 Hz                   |  |
| Vas              | 36.02 l                    |  |
| Qts              | 0.66                       |  |
| Qes              | 0.71                       |  |
| Qms              | 10.38                      |  |
| Re (in parallel) | 3.49 ohms                  |  |
| Sd               | 213.82 cm <sup>2</sup>     |  |
| Cas              | 2.56E-07 m <sup>2</sup> /N |  |
| Mas              | 27.82 kg/m <sup>4</sup>    |  |
| Ras              | 1003.35 ohms.ac            |  |
| Cms              | 5.61E-04 m/N               |  |
| Mms              | 12.72 g                    |  |
| Rms              | 0,459 kg/s                 |  |
| Ces              | 543.44 mF                  |  |
| Les              | 13.13 mH                   |  |
| Res              | 51.02 ohms                 |  |
| Bl               | 4.84 N/A                   |  |
| SPL              | 88 dB/W/m                  |  |

## Mechanical Drawing



## Suggested application

| Load   | V (l) | FB (Hz) | F-3 (Hz) |
|--------|-------|---------|----------|
| Sealed | 30    | -       | 78       |



**FOCAL**  
THE SPIRIT OF SOUND

CANADA USA

ORCA INDUSTRIES INC. DESIGN & MANUFACTURING CORP.  
WWW.ORCAINDUSTRIES.CA WWW.ORCADESIGN-MOBILE.COM  
Unit 104, 20119-113B Avenue, Maple Ridge, BC V2X 0Z1 804 Calle Plano Camarillo, CA 93012-8557  
Toll Free: 877.711.3711 | Tel: 604.460.0913 Toll Free: 888.340.4403 | Tel: 805.484.4355  
Fax: 604.460.0932 | E-Mail: info@orcaindustries.ca Fax: 805.484.5098 | E-Mail: info@ocadesign.com

## Free Manuals Download Website

<http://myh66.com>

<http://usermanuals.us>

<http://www.somanuals.com>

<http://www.4manuals.cc>

<http://www.manual-lib.com>

<http://www.404manual.com>

<http://www.luxmanual.com>

<http://aubethermostatmanual.com>

Golf course search by state

<http://golfingnear.com>

Email search by domain

<http://emailbydomain.com>

Auto manuals search

<http://auto.somanuals.com>

TV manuals search

<http://tv.somanuals.com>