

6 KR2 (165 KR2 WOOFER KIT)

6'' K2 Power® woofer

- High power handling
- Zamak basket
- K2 composite sandwich cone



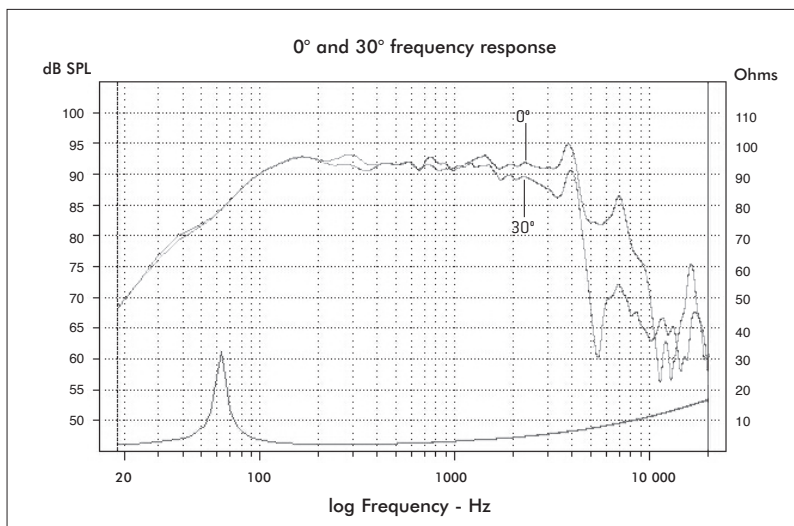
Specifications

Nominal power	80 W	
Maximum power	160 W	
Sensitivity	93 dB	
Cone	K2 Composite Sandwich®	
Surround	Butyl	
Nom. impedance	2 ohms	
DC resistance (in parallel)	1.8 ohms	
VC diameter	32 mm	1.26 in
VC height	15 mm	0.59 in
Former	Kapton®	
Layers	2	
Wire	Copper	
Inductance	0.26 mH	
Xmax	5 mm	0.20 in
Magnet (d x h)	90 x 17 mm	3.54 x 0.7 in
Magnet weight	350 g	0.88 lb
Flux density	1.05 T	
Gap height	5 mm	0.20 in
Net weight	1.4 kg	2.42 lb

Parameters

Fs	61.38 Hz
Vas	10.87 l
Qts	0.528
Qes	0.56
Qms	9.3
Re (in parallel)	1.84 ohms
Sd	132.73 cm ²
Cas	7.74E-08 m ⁵ /N
Mas	86.84 kg/m ⁴
Ras	3601.32 ohms.ac
Cms	4.39E-04 m/N
Mms	15.3 g
Rms	0,634 kg/s
Ces	789.16 mF
Les	8.52 mH
Res	30.56 ohms
Bl	4.4 N/A
SPL	88.3 dB/W/m

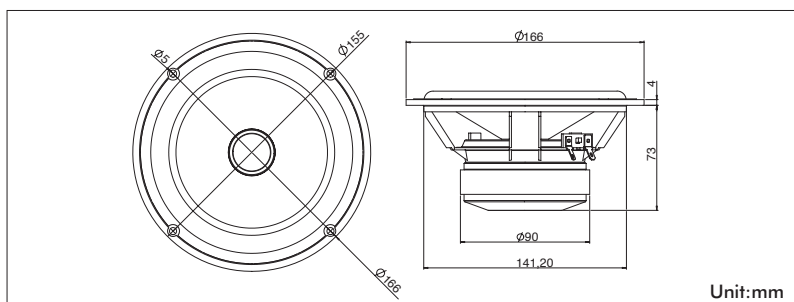
Frequency response / Impedance



Suggested application

Load	V (l)	FB (Hz)	F-3 (Hz)	Q1
Sealed	30	-	85	7

Mechanical Drawing



Focal® is a trademark of Focal-JMlab® - BP 374 - 108, rue de l'Avenir - 42353 La Taubaudière cedex France - Tel. 33 00 4 77 43 57 00 - Fax 33 00 4 77 37 65 87 - www.focal-fr.com - SCAZ071113/1

Free Manuals Download Website

<http://myh66.com>

<http://usermanuals.us>

<http://www.somanuals.com>

<http://www.4manuals.cc>

<http://www.manual-lib.com>

<http://www.404manual.com>

<http://www.luxmanual.com>

<http://aubethermostatmanual.com>

Golf course search by state

<http://golfingnear.com>

Email search by domain

<http://emailbydomain.com>

Auto manuals search

<http://auto.somanuals.com>

TV manuals search

<http://tv.somanuals.com>