

165 KRC

6" K2 Power Coaxial Kit

- Adjustable tweeter
- High power handling
- Butyl surround



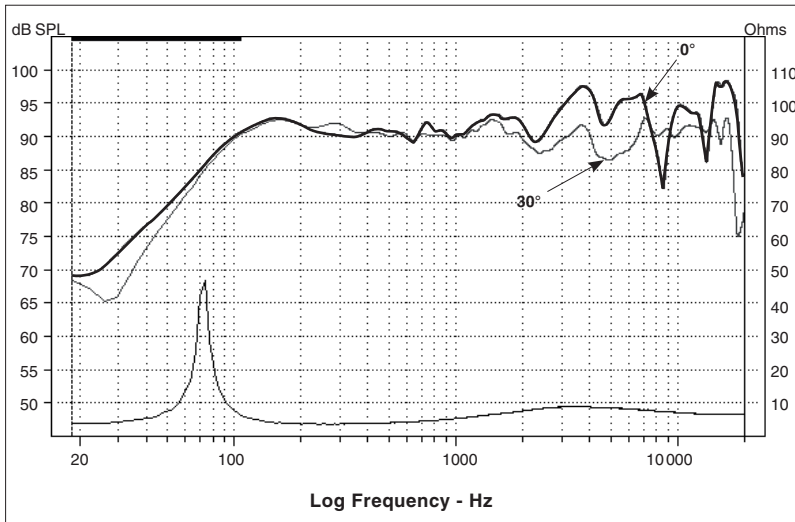
Specifications

Nominal power	80W	
Maximum power	160W	
Sensitivity	93dB	
Cone	CKMV	
Surround	Butyl	
Nom. impedance	4 ohms	
DC resistance	3,2 ohms	
VC diameter	25mm	
VC height	15mm	
Former	Kapton®	
Layers	2	
Wire	Copper	
Inductance	0,23mh	
Xmax	5mm	3/16 in
Magnet d x h	85 x 17mm	3-1/3x2/3 in
Magnet weight	0.4kg	0,88 lb
Flux density	1T	
Gap height	5mm	3/16 in
Net weight	1.2 kg	2,65 lb

Parameters

Fs	86.26Hz	
Vas	6.46l	
Qts	0.753	
Qes	0.82	
Qms	9.17	
Re	3.2 ohms	
Sd	132.73cm²	
Cas	4.6E-08 m5/N	
Mas	73.96kg/m4	
Ras	4371.31 ohms.ac	
Cms	2.61E-04 m/N	
Mms	13.03g	
Rms	0.770kg/s	
Ces	475.77mF	
Les	7.16mH	
Res	35.56 ohms	
BI	5.23 N/A	
SPL	88.88dB/W/m	

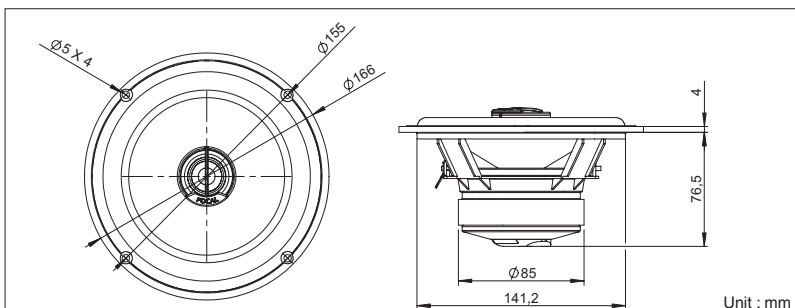
Frequency Response / Impedance



Suggested application

Load	V (l)	Fb (Hz)	F-3 (Hz)	QI
Sealed	30	-	82	7

Mechanical Drawing



Focal® is a trademark of Focal-JMlab® - BP 374 - 108, rue de l'Avenir - 42353 La Talaudière cedex France - Tél. (33) 04 77 43 57 00 - Fax (33) 04 77 37 65 87 - www.focal-fr.com - SCAS080418/1

Free Manuals Download Website

<http://myh66.com>

<http://usermanuals.us>

<http://www.somanuals.com>

<http://www.4manuals.cc>

<http://www.manual-lib.com>

<http://www.404manual.com>

<http://www.luxmanual.com>

<http://aubethermostatmanual.com>

Golf course search by state

<http://golfingnear.com>

Email search by domain

<http://emailbydomain.com>

Auto manuals search

<http://auto.somanuals.com>

TV manuals search

<http://tv.somanuals.com>