

21 V2

210mm Polyglass subwoofer



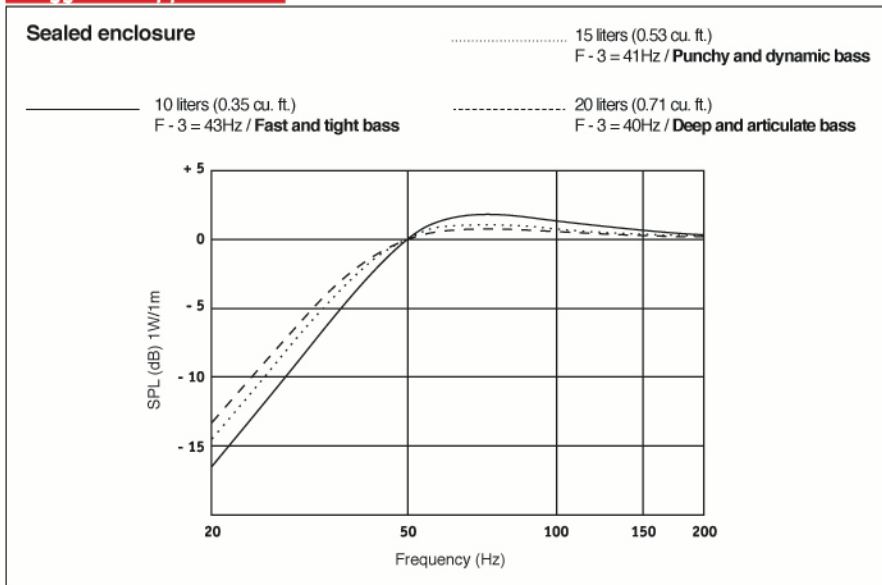
- Zamak chassis
- Polyglass cone, Butyl surround
- High power handling



Specifications

| | | |
|----------------|-------------|--------------|
| Nominal power | 200 W | |
| Maximum power | 400 W | |
| Sensitivity | 85 dB | |
| Cone | Polyglass | |
| Surround | Butyl | |
| Nom. impedance | 4 ohms | |
| DC resistance | 3.5 ohms | |
| VC diameter | 50 mm | 1 15/16 in |
| VC height | 25 mm | 1 in |
| Former | Aluminium | |
| Layers | 2 | |
| Wire | Copper | |
| Inductance | 1.27 mH | |
| Xmax | 9 mm | |
| Magnet d x h | 115 x 25 mm | 4 1/2 x 1 in |
| Magnet weight | 2500 g | 5.51 lb |
| Flux density | 0.8 T | |
| Gap height | 8 mm | 5/16 in |
| Net weight | 3.5 kg | 7.71 lb |

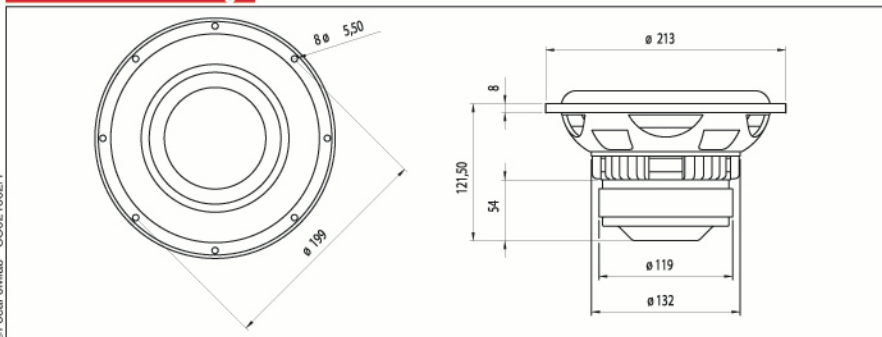
Suggested Application



Parameters

| | | |
|-----|----------------------------|-----------------------|
| Fs | 36.50 Hz | |
| Vas | 15,31 l | 0.541 Ft ³ |
| Qts | 0.68 | |
| Qes | 0.86 | |
| Qms | 3.28 | |
| Re | 3.5 ohms | |
| Sd | 188.69 cm ² | 29.24 in ² |
| Cas | 1.09E-07 m ⁵ /N | |
| Mas | 174.47 kg/m ⁴ | |
| Ras | 12 198.99 ohms.ac | |
| Cms | 3.06E-04 m/N | |
| Mms | 62.12 g | 0.13 lb |
| Rms | 4.343 Kg/s | |
| Ces | 1071.41 mF | |
| Les | 17.75 mH | |
| Res | 13.35 ohms | |
| Bl | 7.61 N/A | |
| SPL | 81.21 dB/W/m | |

Mechanical Drawing



Suggested application

| Load | V (l) | Fb (Hz) | F-3 (Hz) | Ql |
|--------|-------|---------|----------|----|
| Vented | - | - | - | - |
| Sealed | - | - | - | - |

Focal® is a trademark of Focal-JMLab®

Free Manuals Download Website

<http://myh66.com>

<http://usermanuals.us>

<http://www.somanuals.com>

<http://www.4manuals.cc>

<http://www.manual-lib.com>

<http://www.404manual.com>

<http://www.luxmanual.com>

<http://aubethermostatmanual.com>

Golf course search by state

<http://golfingnear.com>

Email search by domain

<http://emailbydomain.com>

Auto manuals search

<http://auto.somanuals.com>

TV manuals search

<http://tv.somanuals.com>