

40 V1

400mm (16") Polyglass subwoofer



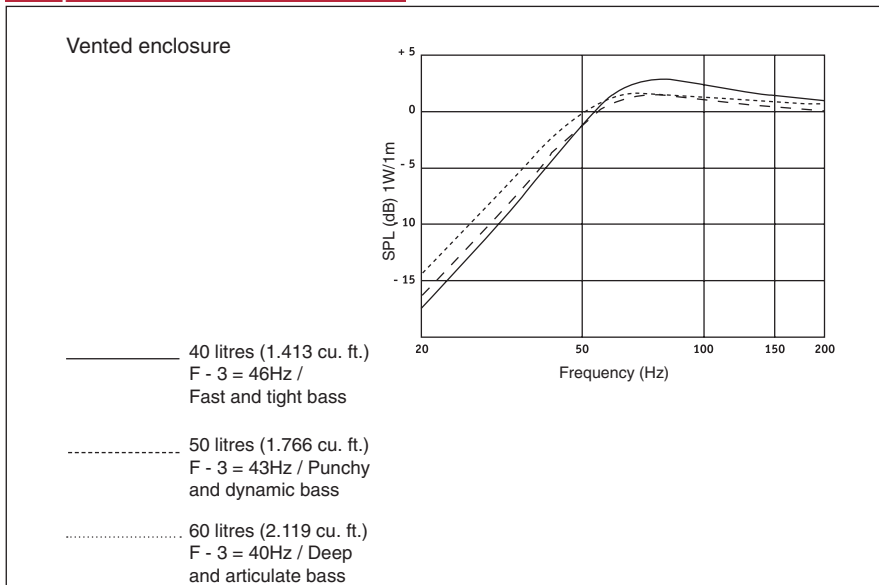
- 65mm / 4 layers voice-coil
- Polyglass cone
- Zamak basket



Specifications

Nominal power	400 W	
Maximum power	800 W	
Sensitivity (2.83V/m)	93.5 dB	
Cone	Polyglass	
Surround	Butyl	
Nom. impedance	4 ohm	
DC resistance	3.3 ohm	
VC diameter	65 mm	2 ^{1/2} in
VC height	25.8 mm	1 in
Former	Aluminum	
Layers	4	
Wire	Copper	
Inductance	2.4 mH	
Xmax	7.5 mm	5/16 in
Magnet (hxd)	156 x 25 mm	6 ^{1/6} x 1 in
Magnet weight	1412 g	3.11 lb
Flux density	0.7 T	
Gap height	10 mm	5/12 in
Net weight	7.2 kg	15.87 lb

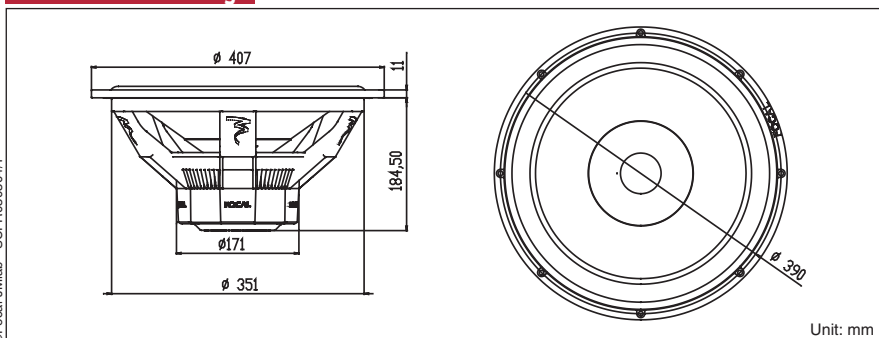
Response curve



Parameters

Fs	26.84 Hz	
Vas	165.66 l	5.84 Ft ³
Qts	0.459	
Qes	0.51	
Qms	4.62	
Re	3.3 ohm	
Sd	881.41 cm ²	136 ^{1/2} in ²
Cas	1.18E-07 m ⁵ /N	
Mas	29.81 kg/m ⁴	
Ras	1088.18 ohm.ac	
Cms	1.52E-04 m/N	
Mms	231.60 g	0.51 lb
Rms	8.454 kg/s	
Ces	916.42 mF	
Les	38.37 mH	
Res	29.89 ohm	
Bl	15.90 N/A	
SPL	89.83 dB/W/m	

Mechanical Drawing



Suggested application

Load	Vol	Fb	F-3 (Hz)	Ql
Vented	40 l	25	46	7
Vented	50 l	23	43	7
Vented	60 l	20	40	7

Focal® is a trademark of Focal-JMLab®

Free Manuals Download Website

<http://myh66.com>

<http://usermanuals.us>

<http://www.somanuals.com>

<http://www.4manuals.cc>

<http://www.manual-lib.com>

<http://www.404manual.com>

<http://www.luxmanual.com>

<http://aubethermostatmanual.com>

Golf course search by state

<http://golfingnear.com>

Email search by domain

<http://emailbydomain.com>

Auto manuals search

<http://auto.somanuals.com>

TV manuals search

<http://tv.somanuals.com>