

690 CVX

6" x 9" Polyglass woofer

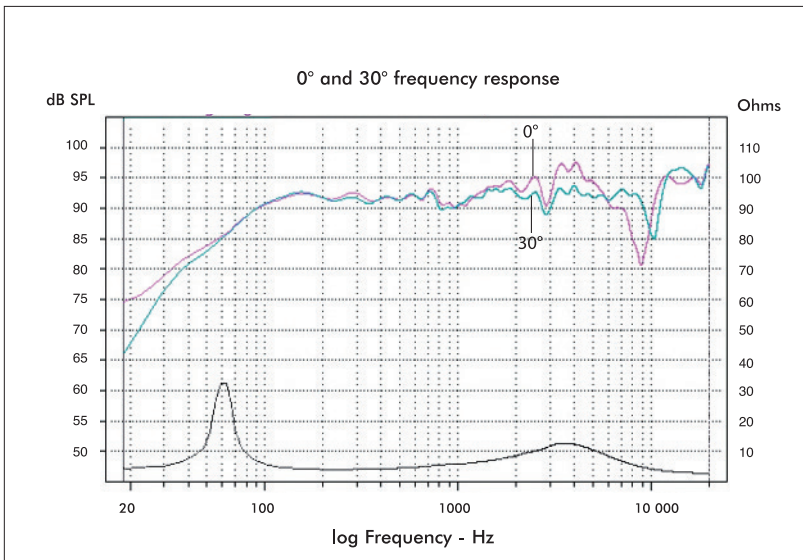
- Built-in audiophile crossover
- Polyglass cone
- Adjustable inverted dome tweeter



Specifications

Nominal power	80 W	
Maximum power	160 W	
Sensitivity	93 dB	
Cone	Polyglass	
Surround	Butyl	
Nom. impedance	4 ohms	
DC resistance (in parallel)	3.59 ohms	
VC diameter	30 mm	1-3/16 in
VC height	13 mm	1/2 in
Former	Kapton®	
Layers	2	
Wire	Copper	
Inductance	-	
Xmax	2.5 mm	1/8 in
Magnet (d x h)	90 x 17 mm	3-9/16x2/3in
Magnet weight	0.4 kg	0.88 lb
Flux density	0.95 T	
Gap height	5.5 mm	3/16 in
Net weight	1.1 kg	2.42 lb

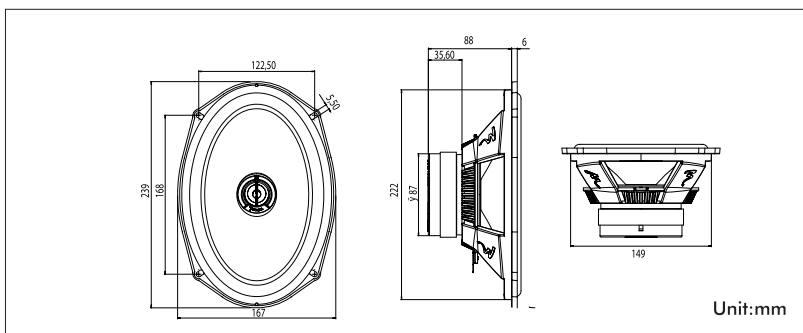
Frequency response / Impedance



Parameters

Fs	60.32 Hz	
Vas	59.54 l	
Qts	0.69	
Qes	0.76	
Qms	7.91	
Re (in parallel)	3.59 ohms	
Sd	346.36 cm ²	
Cas	4.24E-07 m ⁵ /N	
Mas	16.42 kg/m ⁴	
Ras	786.82 ohms.ac	
Cms	3.53E-04 m/N	
Mms	19.70 g	
Rms	0.944 kg/s	
Ces	558.57 mF	
Les	12.46 mH	
Res	37.36 ohms	
Bl	5.94 N/A	
SPL	92.8 dB/W/m	

Mechanical Drawing



Suggested application

Load	V (l)	FB (Hz)	F-3 (Hz)	Q1
Sealed	150	-	62	0.8



CANADA USA

ORCA INDUSTRIES INC. DESIGN & MANUFACTURING CORP.
 WWW.ORCAINDUSTRIES.CA WWW.ORCADESIGN-MOBILE.COM
 Unit 104, 20119-113B Avenue, Maple Ridge, BC V2X 0Z1 804 Calle Plano Camarillo, CA 93012-8557
 Toll Free: 877.711.3711 | Tel: 604.460.0913 Toll Free: 888.340.4403 | Tel: 805.484.4355
 Fax: 604.460.0932 | eMail: info@orcaindustries.ca Fax: 905.484.9098 | eMail: info@orcadesign.com

Free Manuals Download Website

<http://myh66.com>

<http://usermanuals.us>

<http://www.somanuals.com>

<http://www.4manuals.cc>

<http://www.manual-lib.com>

<http://www.404manual.com>

<http://www.luxmanual.com>

<http://aubethermostatmanual.com>

Golf course search by state

<http://golfingnear.com>

Email search by domain

<http://emailbydomain.com>

Auto manuals search

<http://auto.somanuals.com>

TV manuals search

<http://tv.somanuals.com>