

5 VR

5" Polyglass® Woofer

- Polyglass cone
- Zamak chassis
- Butyl surround



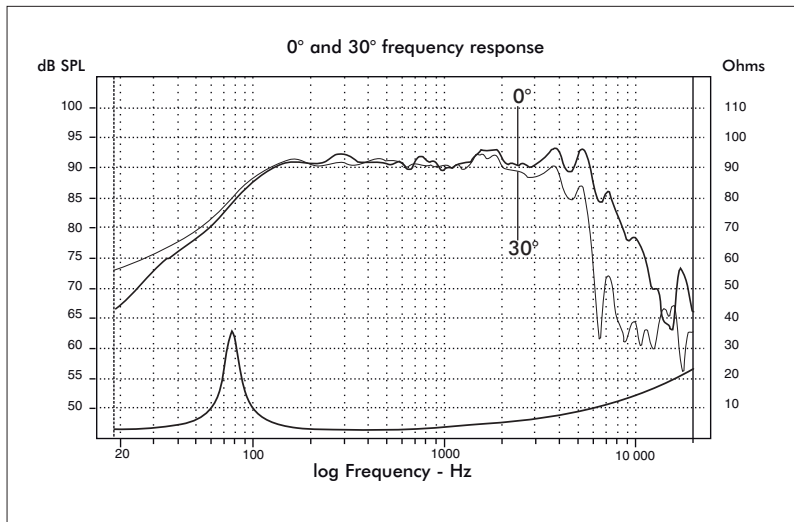
Specifications

Nominal power	50W	
Maximum power	100W	
Sensitivity	94dB	
Cone	Polyglass	
Surround	Butyl	
Nom. impedance	3 Ohms	
DC resistance	2.5 Ohms	
VC diameter	32 mm	1.26in
VC height	9 mm	0.35in
Former	Kapton	
Layers	2	
Wire	Copper	
Inductance	0.17mH	
Xmax	2.5mm	0.10in
Magnet	90x17mm	3.54x0.67in
Magnet weight	350g	0.772lb
Flux density	0.9T	
Gap height	4mm	0.16in
Net weight	1.2Kg	2.65lb

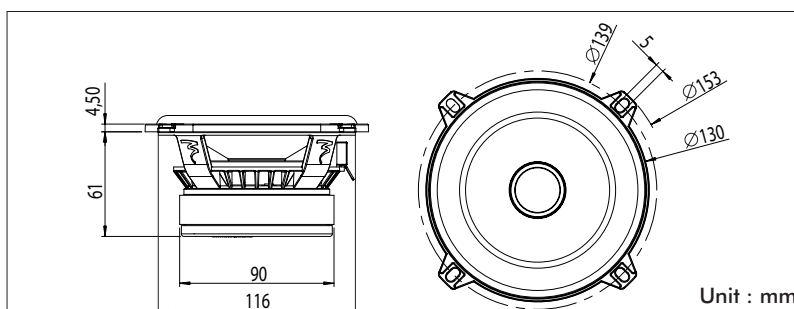
Parameters

Fs	78.57Hz
Vas	5.48 litres
Qts	0.503
Qes	0.53
Qms	10.04
Re	2.51 ohms
Sd	86.59 cm ²
Cas	3.9E-08 m ⁵ /N
Mas	105.1 Kg/m ⁴
Ras	5167,64 Ohms.ac
Cms	5.21E-04 m/N
Mms	7.88 Gr
Rms	0.387 Kg/s
Ces	427.73 mF
Les	9.59mH
Res	47.55 Ohms
BI	4.29 N/A
SPL	88.85dB

Frequency Reponse



Mechanical Drawing



Suggested application

F-3dB: 100Hz in a 30 litres sealed box with a Ql: 7



FOCAL
the Spirit of Sound

Focal® is a trademark of Focal-JMLab® - BP 374 - 108, rue de l'Avenir - 42353 La Taubaudière cedex France - Tel. 33 00 4 77 43 57 00 - Fax 33 00 4 77 37 65 87 - www.focal-fr.com - SCBD080108/1

Free Manuals Download Website

<http://myh66.com>

<http://usermanuals.us>

<http://www.somanuals.com>

<http://www.4manuals.cc>

<http://www.manual-lib.com>

<http://www.404manual.com>

<http://www.luxmanual.com>

<http://aubethermostatmanual.com>

Golf course search by state

<http://golfingnear.com>

Email search by domain

<http://emailbydomain.com>

Auto manuals search

<http://auto.somanuals.com>

TV manuals search

<http://tv.somanuals.com>