



Registering your appliance is quick and easy at [www.prodregister.com/foodsaver](http://www.prodregister.com/foodsaver). If you register on our website, you will have the opportunity to receive special bag and accessory introductory offers. Refer to the registration card inside the box.

For important safety information and helpful tips, please visit us at [www.foodsaver.com](http://www.foodsaver.com) (in English only) to get tips on vacuum sealing and order FoodSaver® brand accessories, bags and rolls, or call 1-877-777-8042 (U.S.), 1-877-804-5383 (Canada).

Enregistrer votre appareil est rapide et facile au [www.prodregister.com/foodsaver](http://www.prodregister.com/foodsaver). Quand vous utilisez notre site Web pour le faire, vous êtes admissible à certaines offres de lancement de sacs et d'accessoires. Voyez la carte d'enregistrement incluse dans l'emballage.

Pour obtenir d'autres renseignements de sécurité importants, des conseils pratiques relatifs à l'emballage sous vide, ainsi que pour commander des accessoires, sacs et rouleaux de marque FoodSaver<sup>MD</sup>, visitez au [www.foodsaver.com](http://www.foodsaver.com) (site uniquement offert en anglais) ou bien appelez le 1-877-777-8042 aux États-Unis, mais le 1 877 804-5383 au Canada.

©2011 Sunbeam Products, Inc. doing business as Jarden Consumer Solutions. All rights reserved. Distributed by Sunbeam Products, Inc. doing business as Jarden Consumer Solutions, 20B Hereford St., Brampton ON Canada L6Y 0M1  
GSC-NM0311-2652911

©2011 Sunbeam Products, Inc. faisant affaires sous le nom de Jarden Consumer Solutions. Tous droits réservés. Distribué par Sunbeam Products, Inc. faisant affaires sous le nom de Jarden Consumer Solutions, 20B Hereford St., Brampton (Ontario) Canada L6Y 0M1

Printed in China./Imprimé en Chine.

P.N. 149580

Download from [www.Somanuals.com](http://www.Somanuals.com). All Manuals Search And Download.



**User Manual & Recipe Book**  
for V3820 series appliances

**Notice d'emploi et recettes**  
pour appareils de la série V3820

[www.foodsaver.com](http://www.foodsaver.com) 1 877 804-5383

## Table of Contents

Important Safeguards and Tips .....	1
Welcome to FoodSaver® Vacuum Sealing System .....	2
Features of Your FoodSaver® Appliance .....	3
Removing Air from a Bag.....	7
FoodSaver® Vacuum Sealing Accessories.....	8
How to Make a Bag from a FoodSaver® Vacuum Sealing Roll .....	9
How to Vacuum Seal with FoodSaver® Vacuum Sealing Bags .....	10
Guidelines for Vacuum Packaging .....	11
Storage Guide - Meat, Cheese, Vegetables, Fruits.....	13
Storage Guide - Baked Goods, Coffee, Snacks and Liquids .....	14
Care and Cleaning.....	15
Marinating with your FoodSaver® Appliance .....	16
Recipes for your FoodSaver® Appliance .....	17
Trouble-Shooting.....	21
Warranty .....	22

## Important Safeguards & Tips

### Important Safeguards

For your own safety, always follow these basic precautions when using a FoodSaver® appliance:

1. Read the User Manual carefully for operating instructions. Read all instructions in this manual before use.
2. Do not use appliance on wet or hot surfaces, or near a heat source.
3. To protect against electric shock, do not immerse any part of appliance, power cord or plug in water or other liquid. Unplug from outlet when not in use and before cleaning.
4. To disconnect, unplug power cord from electrical outlet. Do not disconnect by pulling on cord.
5. Do not operate appliance with a damaged power cord or plug. Do not operate appliance if it malfunctions or is in any way damaged. For details, contact Consumer Services at number listed below.
6. Use appliance only for its intended use.
7. Closely supervise children when using any electrical appliance. Do not allow appliance to be used as a toy.
8. 120v Appliances Only: The FoodSaver® appliance has a polarized plug (one blade is wider than the other). To reduce risk of electrical shock, this plug is intended to fit in a polarized outlet only one way. If plug does not fit fully in the outlet, reverse plug. If it still does not fit, contact a qualified electrician. Do not modify plug in any way.
9. Caution: A short power cord is provided to reduce risks from entanglement or tripping over a longer cord. An extension cord may be used when marked electrical rating is no less than electrical rating of this appliance. All cords should not drape over counter or tabletop where cords can be tripped over or pulled on unintentionally, especially by children.

## Important Safeguards & Tips continued

10. Do not place on or near a hot gas or electric burner, or heated oven. Extreme caution must be used when moving products containing hot liquids.
11. Wait 20 seconds between seals to allow appliance to cool.
5. Do not create your own side seams for a FoodSaver® Bag. These bags are manufactured with a special side seam, which is sealed all the way to the outer edge.
6. To prevent wrinkles in the seal when vacuum packaging bulky items, gently stretch bag flat while inserting bag into vacuum channel and continue to hold bag until vacuum pump starts.
7. When you are vacuum packaging items with sharp edges (dry spaghetti, silverware, etc.), protect bag from punctures by wrapping item in soft cushioning material, such as a paper towel. You may want to use a canister or Mason jar instead of a bag.
8. When using accessories, remember to leave one inch of space at top of canister or container.
9. Pre-freeze fruits and blanch vegetables before vacuum packaging for best results. See “Guidelines for Vacuum Packaging” section.

### For Household Use Only SAVE THESE INSTRUCTIONS

#### Important Tips

1. Vacuum packaging is NOT a substitute for the heat process of canning. Perishables still need to be refrigerated or frozen.
2. For best results, use only with FoodSaver® Bags, Containers and Accessories.
3. During the vacuum packaging process, small amounts of liquids, crumbs or food particles can be inadvertently pulled into the Vacuum Channel. Empty the Drip Tray after each use.
4. Avoid overfilling, always leave at least 4 inches (10.16 centimeters) of bag material between bag contents and top of bag. This allows room for the bag material to cinch tightly against the food and prevents the bag from pulling out of the vacuum channel during the sealing process. Then leave at least one additional inch of bag material for each time you plan to reuse bag.

This appliance has a polarized plug (one blade is wider than the other). As a safety feature, this plug will fit in a polarized outlet only one way. If the plug does not fit fully in the outlet, reverse the plug. If it still does not fit, contact a qualified electrician. Do not attempt to defeat this safety feature.

## Welcome to FoodSaver® Vacuum Sealing System

### Congratulations...

*You are about to enjoy the freshness benefits of FoodSaver®, The #1 Selling Brand of Vacuum Packaging Systems. For years, the FoodSaver® Vacuum Packaging System has helped millions of households keep food fresh longer in the refrigerator, freezer and pantry. The FoodSaver® system is designed to remove air and extend freshness up to five times longer than conventional storage methods. Keep your FoodSaver® appliance on your countertop, and you'll soon discover its convenience and versatility.*

### Free Gift with Registration!

Register now and you'll receive a free gift. It's our “thanks” to you for being a FoodSaver® customer.

Register online at [www.foodsaver.com/register](http://www.foodsaver.com/register). You'll have access to special sale items for online registrants only!

**Questions?**  
Contact customer service at  
**877-804-5383**  
or visit [www.foodsaver.com](http://www.foodsaver.com).

Do not return this product to place of purchase.

# Features of Your FoodSaver® Appliance

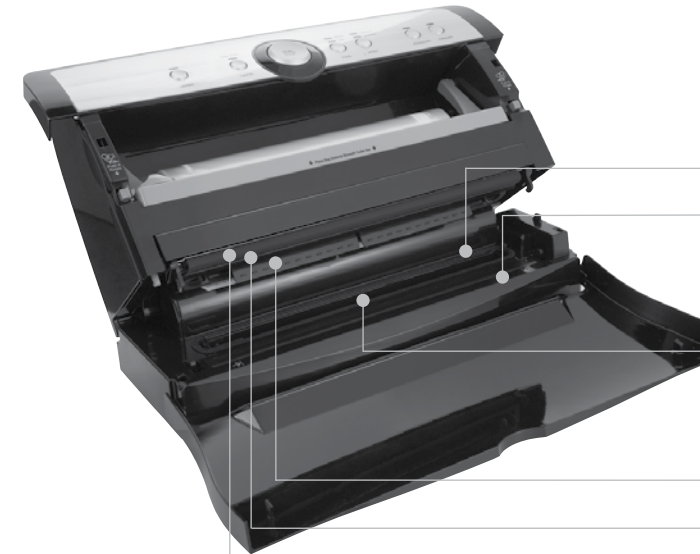
FEATURES



- A. Controls and Indicator Lights**  
Indicate current setting and vacuum progress for added control.
- B. Vacuum Progress Display**  
Green lights signal progression of vacuuming and sealing process. All lights extinguish when the full process is finished.
- C. Seal/Stop Button**  
CrushFree™ Instant Seal feature. Stops vacuum cycle and seals to prevent crushing delicate items.
- D. Retractable Accessory Hose/ Accessory Port**  
Accessory hose can be used with all FoodSaver® Brand Accessories.
- E. Vacuum Channel**  
Simply insert bag and the FoodSaver® appliance does the rest.
- F. Power Cord Storage**  
At bottom of unit.



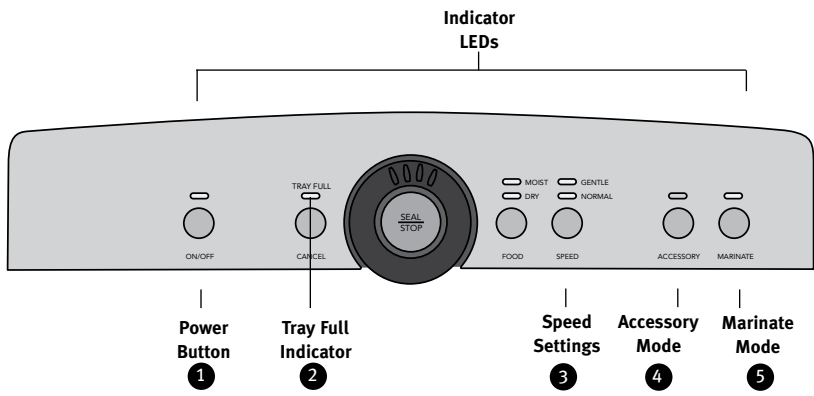
- G. Built-in Roll Holder**  
For storage of FoodSaver® Vacuum Sealing Rolls.
- H. Roll Cutter Bar**  
Simplifies making custom-sized bags.
- I. Auto Bag Sensing**  
Simply insert open end of bag into the vacuum channel and the machine will sense and grasp the bag, vacuum, seal and shut-off automatically.
- J. Release Buttons**  
To open appliance for cleaning.



- K. Appliance Door**  
Opens to access Built-in Roll Holder and Cutter.
- L. Lower Gasket (not removable)**
- M. Extra-wide Sealing Strip with Non-stick Coating**  
Provides extra secure, air-tight seal that's two times wider.
- N. Drip Tray**  
Catches overflow liquids and contains Food Sensors to detect liquid.
- O. Upper Bag Detection Tray**
- P. Upper Foam Gasket (not removable)**
- Q. Rubber Seal Profile**

FEATURES





**1 POWER BUTTON**

Press the power button to begin. The Power Indicator, Speed Indicator and Food Indicator lights will become illuminated. After Vacuum Sealing, press Power Button to turn appliance Off.

**Note:** After 12 minutes, the appliance will turn Off automatically.

**2 TRAY FULL INDICATOR LIGHT**

During the vacuum sealing process, small amounts of liquids, crumbs or food particles can be inadvertently pulled into the Drip Tray (N). When excess liquid fills the Drip Tray, the unit will turn off and the Tray Full Indicator 2 will activate. To resume normal operation, remove the Drip Tray, empty liquid, wash in warm soapy water or place in top rack of dishwasher. Dry and place Drip Tray back into appliance. (See “Care and Cleaning” on page 15.)

**3 SPEED SETTINGS BUTTON**

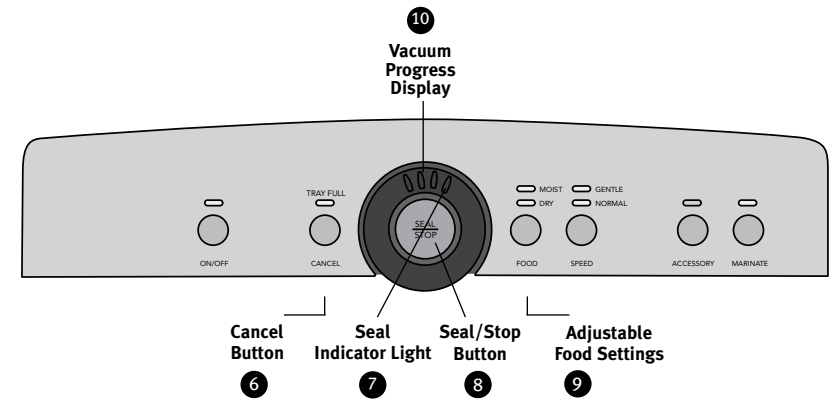
When vacuum sealing delicate items, press Speed Setting Button 3 so that the gentle speed indicator light is illuminated. For more control you may press Seal/Stop Button 8 at any time to stop vacuum and begin automatic sealing process. **Note:** Appliance will default to Normal speed upon pressing the Power On Button or when power has been interrupted.

**4 ACCESSORY MODE BUTTON**

Press to achieve best vacuum for canisters and accessories. Push Accessory Mode Button 4 to begin vacuum process. Motor will run until Vacuum Sealing Process is complete.

**5 MARINATE MODE BUTTON**

A ten minute predetermined sequence of vacuum pulse to rest ratio allowing foods to get optimum flavor infusion in the least amount of time. (See “Marinating with your FoodSaver® Appliance” section on page 16.)



**6 CANCEL BUTTON**

Immediately halts the current function and opens the Vacuum Channel.

**7 SEAL INDICATOR LIGHT**

Constant Red light indicates sealing process is engaged. **(Flashing light indicates error. See “Trouble-Shooting” Section on page 21 for more information.)**

**8 SEAL/STOP BUTTON**

CrushFree™ Instant Seal feature-  
*This button has three uses:*

1. Press to immediately stop the vacuum process and begin sealing the bag. This prevents crushing delicate items such as bread, cookies and pastries.
2. Press to create a seal when making bags from a FoodSaver® Roll.
3. Press to create a seal on Mylar bags (such as a potato chip bag) to keep food sealed air-tight.

**9 ADJUSTABLE FOOD SETTINGS BUTTON**

For optimal vacuuming and sealing of moist or juicy foods, press the Adjustable Food Setting Button 9 until the Moist Indicator Light is illuminated. Choose the dry food setting for foods without liquid. The Moist Food Indicator light will flash when Food Sealing Sensors automatically detect any moisture or liquid in the drip tray (N).

**Note:** Appliance will default to Dry setting upon pressing the Power Button or when power has been interrupted, unless liquid is detected in the Drip Tray. (See “Care and Cleaning” section of this User Manual on page 15.)

**10 VACUUM PROGRESS DISPLAY**

Displays vacuum levels as the bag or canister is evacuated.

## Removing Air from a Bag

Avoid wrinkles when inserting the bag into the Vacuum Channel (E).

Wrinkles in seal may cause leakage and allow air to return into bag. To eliminate any wrinkles while inserting bag, curl down into the Vacuum Channel (E), hold bag with two hands gently stretching bag flat until vacuum pump begins. If you find wrinkles after sealing bag, simply cut bag open and vacuum seal again.

**If motor runs for more than 30 seconds without stopping, consider the following:**

If you are vacuum sealing with a bag, make sure the bag is properly sealed. (See “How to Make a Bag From a Roll” on page 9.) Check foam gasket around Upper Bag Detection Tray (O) to make sure it is free from food material. Do not attempt to remove gasket.

If vacuum sealing with an accessory, check Accessory Hose connections to ensure a tight fit.

**Note:** Appliance should be used in vertical orientation and not laid on its back.

**Note:** Appliance will time out after a couple of minutes if vacuum cannot be reached.

## FoodSaver® Vacuum Sealing Accessories

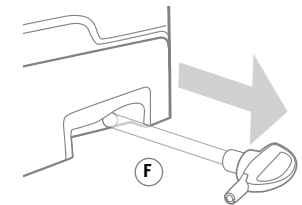
### Accessory Hose Reel

1. Prepare container according to FoodSaver® Accessory Guidelines, which are included with accessory purchases.
2. Pull Accessory Hose (D) from appliance and insert the end into the port on accessory. Twist tab while inserting to ensure a tight fit.
3. Push Accessory Mode Button (4) to begin vacuum process. Motor will run until vacuum process is complete. (To Marinate, follow instructions found in Marinate Button section of this Guide on page 16.)
4. When motor turns off, gently twist and remove Accessory Hose from accessory.

**Note:** If you are using a canister with large white knob, rotate knob clockwise to the “Closed” position, then gently twist and remove Accessory Hose from accessory.

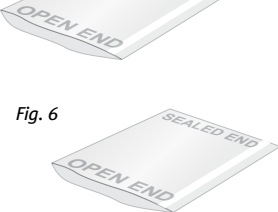
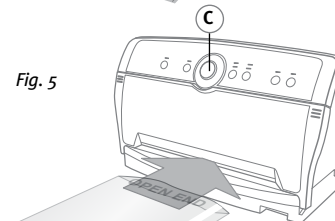
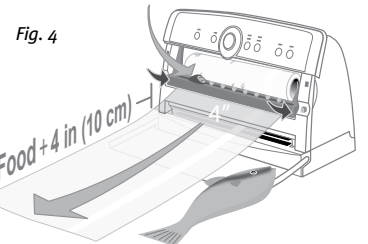
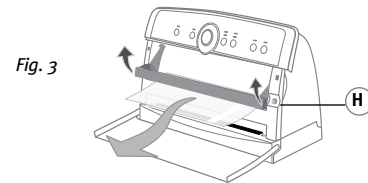
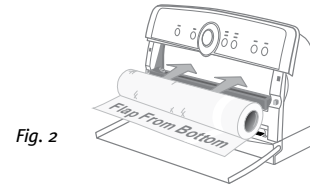
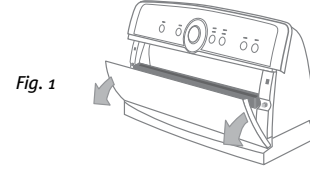
5. To test vacuum, simply tug on accessory lid. It should not move.
6. To retract accessory hose, while holding unit, gently pull on hose end to allow hose to retract into appliance. Do not release freely as it may damage the hose tip.

**Important:** When pulling hose Do Not extend beyond green circle marked on hose.



## How to Make a Bag from a FoodSaver® Vacuum Sealing Roll

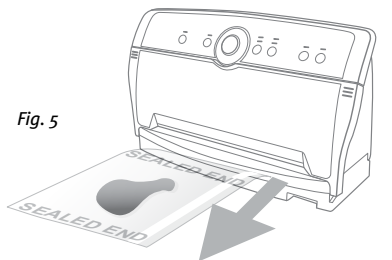
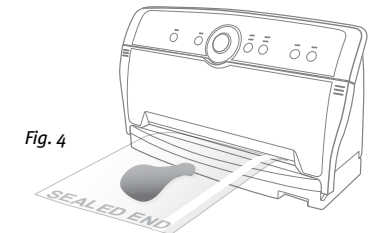
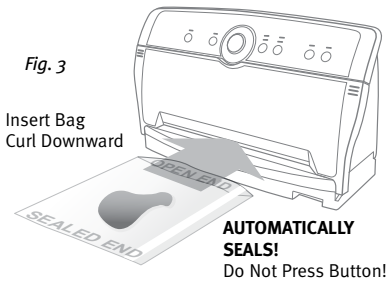
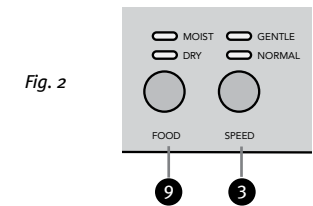
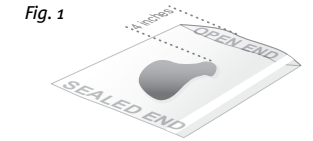
1. Open appliance door (Fig. 1) and place roll into Roll Holder (F) (Fig. 2).  
For Best results, insert roll with material flap down.  
**Note:** Bags can be sealed with appliance door either open or closed.



2. Lift up Roll Cutter Bar (H) and place bag material beneath the cutter bar (Fig. 3).
3. Pull out enough bag material to hold item being vacuum sealed, plus 4 inches (10.16 centimeters). Lower the Roll Cutter Bar and slide Bag Cutter (H) across the Cutter Bar (Fig. 4).
4. Press Seal/Stop Button (C). Red Seal Indicator Light (7) will illuminate (Fig. 5).
5. Using two hands, insert open end of bag, curl down, into Vacuum Channel (E) until clamp motor starts. Bag must be centered between arrows. (Vacuum Channel can operate with door opened or closed.)
6. When red Seal Indicator Light (7) turns off, sealing is complete. You may remove bag from the Vacuum Channel (E).
7. You now have one sealed end (Fig. 6).
8. Now you are ready to vacuum seal with your new bag (see next page).

## How to Vacuum Seal with FoodSaver® Vacuum Sealing Bags

1. Begin with a FoodSaver® Vacuum Sealing System Bag (or create a bag as described in the “How to Make a Bag from a Roll” section on page 9).
2. Place item(s) in bag, allowing at least 4 inches (10.16cm) of space between bag contents and top of bag (Fig. 1). The extra space is required to allow the bag to seal tightly around contents.
3. OPTIONAL: If you wish to customize the vacuum sealing process you may select Food setting (9) and Speed Setting (3) (Fig. 2). Default setting is Normal Speed and Dry Food. See page 5 and 6 for more information.



4. Your new FoodSaver® System Automatically Vacuums and Seals. **To Vacuum: DO NOT PRESS THE STOP/SEAL BUTTON.** Using two hands, insert open end of bag, curl down, into Vacuum Channel (E) (Fig. 3/4).
5. Continue to hold bag until vacuum pump starts. You may now release bag. The Vacuum Progress lights (10) will illuminate. **Note:** To prevent crushing delicate items, you may now press Seal/Stop Button (C) at any time to begin automatic sealing process.
6. When red Seal Indicator Light (7) turns off, remove bag (Fig. 5). Refrigerate or freeze if needed. **Note:** Wait at least 20 seconds between seals to allow appliance to properly cool.

See [www.foodsaver.com](http://www.foodsaver.com) for additional hints, tips, instructional videos and information about how to purchase FoodSaver® parts and accessories like the Pre-cut Bag Storage.

# Guidelines for Vacuum Packaging

## Vacuum Packaging and Food Safety

The vacuum packaging process extends the life of foods by removing most of the air from the sealed container, thereby reducing oxidation, which affects nutritional value, flavor and overall quality. Removing air can also inhibit growth of microorganisms, which can cause problems under certain conditions:

**Mold** – Easily identified by its fuzzy characteristic. Mold cannot grow in a low oxygen environment, therefore vacuum packaging can slow the growth of mold.

**Yeast** – Results in fermentation, which can be identified by smell and taste. Yeast needs water, sugar and a moderate temperature to grow. It can also survive with or without air. Slowing the growth of yeast requires refrigeration, while freezing stops it completely.

**Bacteria** – Results in an unpleasant odor, discoloration and/or soft or slimy texture. Under the right conditions, anaerobic bacteria such as Clostridium botulinum (the organism that causes Botulism) can grow without air and sometimes cannot be detected by smell or taste. Although it is extremely rare, it can be very dangerous.

To preserve foods safely, it is critical that you maintain low temperatures. You can significantly reduce the growth of microorganisms at temperatures of 40°F (4°C) or below. Freezing at 0°F (-17°C) does not kill microorganisms, but stops them from growing. For long-term storage, always freeze perishable foods that have been vacuum packaged, and keep refrigerated after thawing.

It is important to note that vacuum packaging is NOT a substitute for canning and it cannot reverse the deterioration of foods. It can only slow down the changes in quality. It is difficult to predict how long foods will retain their top-quality flavor, appearance or texture because it depends on age and condition of the food on the day it was vacuumed packaged.

**IMPORTANT: Vacuum packaging is NOT a substitute for refrigeration or freezing.** Any perishable foods that require refrigeration must still be refrigerated or frozen after vacuum packaging.

## Food Preparation and Reheating Tips

### Thawing and Reheating Vacuum Packaged Foods

Always thaw foods in either refrigerator or microwave — do not thaw perishable foods at room temperature.

To reheat foods in a microwave in a FoodSaver® Bag, always cut corner of the bag before placing it on a microwave-safe dish. However, to avoid hot spots, do not reheat bone-in meat or greasy foods in microwave within a FoodSaver® Bag. You can also reheat foods in FoodSaver® Bags by placing them in water at a low simmer below 170°F (75°C).

### Preparation Guidelines for Meat and Fish:

For best results, pre-freeze meat and fish for 1-2 hours before vacuum packaging in a FoodSaver® Bag. This helps retain the juice and shape, and guarantees a better seal.

If it's not possible to pre-freeze, place a folded paper towel between meat or fish and top of bag, but below seal area. Leave paper towel in bag to absorb excess moisture and juices during vacuum packaging process.

**Note:** Beef may appear darker after vacuum packaging due to the removal of oxygen. This is not an indication of spoilage.

### Preparation Guidelines for Hard Cheeses:

To keep cheese fresh, vacuum package it after each use. Make your FoodSaver® Bag extra long, allowing one inch of bag material for each time you plan to open and reseal in addition to the 4-inch room you normally leave between contents and seal. Simply cut sealed edge and remove cheese. When you're ready to repack the cheese, just drop it in bag and reseal.

**IMPORTANT: Due to the risk of anaerobic bacteria, Soft cheeses should never be vacuum packaged.**

**Preparation Guidelines for Vegetables:** Vegetables need to be blanched before vacuum packaging. This process stops the enzyme action that could lead to loss of flavor, color and texture.

To blanch vegetables, place them in boiling water or in the microwave until they are cooked, but still crisp. Blanching times range from 1 to 2 minutes for leafy greens and peas; 3 to 4 minutes for snap peas, sliced zucchini or broccoli; 5 minutes for carrots; and 7 to 11 minutes for corn on the cob. After blanching, immerse vegetables in cold water to stop the cooking process. Finally, dry vegetables on a towel before vacuum packaging.

**Note:** All vegetables (including broccoli, brussels sprouts, cabbage, cauliflower, kale, turnips) naturally emit gases during storage. Therefore, after blanching, they must be stored in freezer only.

When freezing vegetables, it is best to pre-freeze them for 1-2 hours or until solidly frozen. To freeze vegetables in individual servings, first place on a baking sheet and spread them out so they are not touching. This prevents them from freezing together in a block. Once they are frozen, remove from baking sheet and vacuum package vegetables in a FoodSaver® Bag. After they have been vacuum packaged, return them to the freezer.

**IMPORTANT: Due to the risk of anaerobic bacteria, Fresh mushrooms, onions, & garlic should never be vacuum packaged.**

### Preparation Guidelines for Leafy Vegetables:

For best results, use a canister to store leafy vegetables. First wash the vegetables, and then dry with a towel or salad spinner. After they are dried, put them in a canister and vacuum package. Store in refrigerator.

### Preparation Guidelines for Fruits:

When freezing soft fruits or berries, it is best to pre-freeze them for 1-2 hours or until solidly frozen. To freeze fruit in individual servings, first place on a baking sheet and spread them out so they are not touching. This prevents them from freezing together in a block. Once they are frozen, remove from baking sheet and vacuum package fruit in a FoodSaver® Bag. After they have been vacuum packaged, return them to the freezer.

You can vacuum package portions for baking, or in your favorite combinations for easy fruit salad all year round. If storing in the refrigerator, we recommend using a FoodSaver® Canister.

### Preparation Guidelines for Baked Goods:

To vacuum package soft or airy baked goods, we recommend using a FoodSaver® Canister so they will hold their shape. If using a bag, pre-freeze for 1-2 hours or until solidly frozen. To save time, make cookie dough, pie shells, whole pies, or mix dry ingredients in advance and vacuum package for later use.

### Preparation Guidelines for Coffee and Powdery Foods:

To prevent food particles from being drawn into vacuum pump, place a coffee filter or paper towel at top of bag or canister before vacuum packaging. You can also place the food in its original bag inside a FoodSaver® Bag, or use a FoodSaver® Universal Lid with the original container to vacuum package.

### Preparation Guidelines for Liquids:

Before you vacuum package liquids such as soup stock, pre-freeze in a casserole dish, loaf pan or ice cube tray until solid. Remove frozen liquid from pan and vacuum package in a FoodSaver® Bag. You can stack these “frozen bricks” in your freezer. When you're ready to use, just cut corner of bag and place in a dish in microwave or drop into water at a low simmer, below 170°F (75°C).

To vacuum package non-carbonated bottled liquids, you can use a FoodSaver® Bottle Stopper with the original container. Remember to leave at least one inch of room between contents and bottom of Bottle Stopper. You can re-seal bottles after each use.

### Preparation Guidelines for Make-ahead Meals, Leftovers and Sandwiches:

Efficiently store your make-ahead meals, leftovers and sandwiches in the stackable, lightweight FoodSaver® containers. They are microwaveable, top rack dishwasher safe and come with a custom adaptor. The lightweight containers will be ready to head off to the office or school when you are!

### Preparation Guidelines for Snack Foods:

Your snack foods will maintain their freshness longer when you vacuum package them. For best results, use a FoodSaver® Canister for crushable items like crackers.

## Vacuum Packaging Non-Food Items

The FoodSaver® vacuum packaging system also protects non-food items from oxidation, corrosion and moisture. Simply follow the directions to vacuum package items using FoodSaver® Bags, Canisters and Accessories.

To vacuum package silver, wrap fork tines in soft cushioning material, such as a paper towel, to avoid puncturing bag. Your FoodSaver® Bags are ideal for outdoor excursions. For camping and hiking, keep your matches, maps and food dry and compact. To have fresh water for drinking, simply fill a FoodSaver® Bag with ice, seal it and when needed, let the ice pack melt. If you're going sailing or boating, vacuum package your food, film and a dry change of clothes. Just remember to bring scissors or a knife to open the bag.

To keep emergency kits safe and dry, vacuum package flares, batteries, flashlights, matches, candles and other necessities. Your emergency items will stay dry and organized in your home, car or boat.

## Storage Guide Meat, Cheese, Vegetables, Fruits

Foods	Where to Store	Recommended FoodSaver® Bag/Accessory	Storage Life with FoodSaver®	Normal Storage Life
<b>Meat</b>				
Beef, Pork, Lamb	Freezer	FoodSaver® Bag	2-3 years	6 months
Ground Meat	Freezer	FoodSaver® Bag	1 year	4 months
Poultry	Freezer	FoodSaver® Bag	2-3 years	6 months
Fish	Freezer	FoodSaver® Bag	2 years	6 months
<b>Hard Cheeses</b> ( Do not vacuum package soft cheese )				
Cheddar, Swiss	Refrigerator	FoodSaver Bag, Canister	4-8 months	1-2 weeks
Parmesan	Refrigerator	FoodSaver® Bag, Canister	4-8 months	1-2 weeks
<b>Vegetables</b> ( Do not vacuum package fresh mushrooms, onions & garlic )				
Asparagus	Freezer	FoodSaver® Bag	2-3 years	8 months
Broccoli, Cauliflower	Freezer	FoodSaver® Bag	2-3 years	8 months
Cabbage, Brussels Sprouts	Freezer	FoodSaver® Bag	2-3 years	8 months
Corn (cob or kernel)	Freezer	FoodSaver® Bag	2-3 years	8 months
Green Beans	Freezer	FoodSaver® Bag	2-3 years	8 months
Lettuce, Spinach	Refrigerator	FoodSaver® Canister	2 weeks	3-6 days
Snow Peas, Snap Peas	Freezer	FoodSaver® Bag	2-3 years	8 months
<b>Fruits</b>				
Apricots, Plums	Freezer	FoodSaver® Bag	1-3 years	6-12 months
Peaches, Nectarines	Freezer	FoodSaver® Bag	1-3 years	6-12 months
<b>Softer Berries</b>				
Raspberries, Blackberries	Refrigerator	FoodSaver® Canister	1 week	1-3 days
Strawberries	Refrigerator	FoodSaver® Canister	1 week	1-3 days
<b>Harder Berries</b>				
Blueberries	Refrigerator	FoodSaver® Canister	2 weeks	3-6 days
Cranberries	Refrigerator	FoodSaver® Canister	2 weeks	3-6 days
Huckleberries	Refrigerator	FoodSaver® Canister	2 weeks	3-6 days

## Baked Goods, Coffee, Snacks and Liquids

Foods	Where to Store	Recommended FoodSaver® Bag/Accessory	Storage Life with FoodSaver®	Normal Storage Life
<b>Baked Goods</b>				
Bagels, Bread, Pastries	Freezer	FoodSaver® Bag	1-3 years	6-12 months
<b>Nuts</b>				
Almonds, Peanuts	Pantry	FoodSaver® Bag, Canister	2 years	6 months
Sunflower Seeds	Pantry	FoodSaver® Bag, Canister	2 years	6 months
<b>Coffee</b>				
Coffee Beans	Freezer	FoodSaver® Bag	2-3 years	6 months
Coffee Beans	Pantry	FoodSaver® Bag, Canister	1 year	3 months
Ground Coffee	Freezer	FoodSaver® Bag	2 years	6 months
Ground Coffee	Pantry	FoodSaver® Bag, Canister	5-6 months	1 month
<b>Prepared Liquids</b>				
Sauces, Soups, Stews	Freezer	FoodSaver® Bag	1-2 years	3-6 months
<b>Bottled Liquids</b>				
Oils	Pantry	FoodSaver® Bottle Stopper	1-1 ½ years	5-6 months
<b>Dry Foods</b>				
Beans, Grains	Pantry	FoodSaver® Bag, Canister	1-2 years	6 months
Pasta, Rice	Pantry	FoodSaver® Bag, Canister	1-2 years	6 months
<b>Powdery Foods</b>				
Dry Milk	Pantry	FoodSaver® Bag, Canister	1-2 years	6 months
Dried Coconut	Pantry	FoodSaver® Bag, Canister	1-2 years	6 months
Flour	Pantry	FoodSaver® Bag, Canister	1-2 years	6 months
Sugar, Brown Sugar	Pantry	FoodSaver® Bag, Canister	1-2 years	6 months
<b>Snack Foods</b>				
Chips	Pantry	FoodSaver® Canister	3-6 weeks	1-2 weeks
Cookies, Crackers	Pantry	FoodSaver® Canister	3-6 weeks	1-2 weeks



## Care and Cleaning

### To Clean Appliance:

Press Power Button and remove Power Cord from electrical outlet. Do not immerse in liquid.

Open Appliance Door (K), while holding the appliance with two hands, press two Release Buttons (J) with your thumbs, rotate appliance away from you, and allow appliance to rest on the counter. After cleaning, hold appliance with two hands and rotate upright until the latches lock.

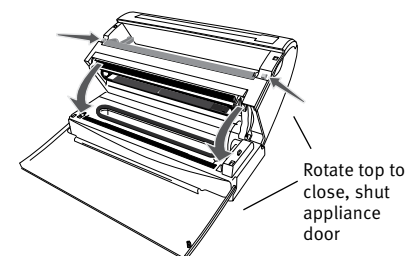
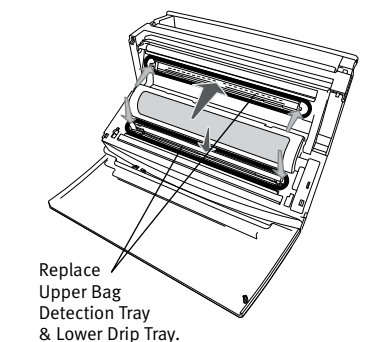
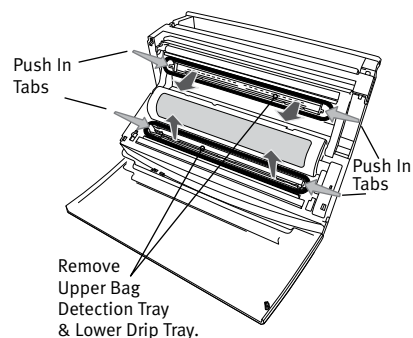
Check Lower Gasket (L) around Drip Tray (N) and Upper Foam Gasket (P) which surrounds the Upper Bag Detection Tray (O) to make sure they are free from food materials. Do not attempt to remove gaskets.

### Antibacterial Drip Tray & Upper Bag Detection Tray:

Empty Drip Tray after each use. Wash in warm soapy water or place in top rack of dishwasher. The Food Sensors in the Drip Tray (N) will not function correctly if liquid is allowed to remain in Drip Tray.

This appliance has a Tray Full indicator ②. When excess liquid fills the Drip Tray, the unit will turn off and the Tray Full Indicator light will activate. To resume normal operation, open Appliance Door (K), press two release buttons (J), rotate appliance away from you, and allow appliance to rest on the counter. Press tabs and lift to remove the Drip Tray, empty liquid, clean Drip Tray and place back into appliance. When replacing drip tray, set the right end of the drip tray into place, then firmly snap both sides down. Appliance can be used without Drip Tray, however the Adjustable Food Sensor setting ⑨ will not function without the Drip Tray.

Clean Upper Bag Detection Tray after each use. The Upper Bag Detection Tray (O) is removable for cleaning, remove by lifting the tabs on each end. Do not pull on the Upper Bag Detection Flags to remove the Upper Bag Detection Tray. Clean Upper Bag Detection Tray by washing in warm soapy water or placing in top rack of dishwasher. Upper Bag Detection Tray MUST be inserted to use the appliance. Without the Upper Bag Detection Tray, your FoodSaver® Appliance will not detect bag when inserted in the Vacuum Channel (E).



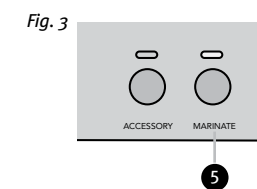
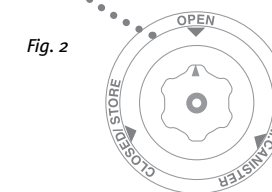
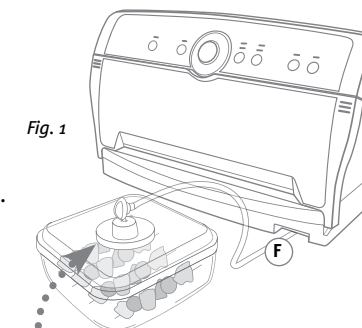
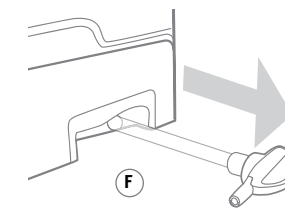
## Marinating with your FoodSaver® Appliance

Your FoodSaver® Vacuum Sealing System has a special Quick Marinate Cycle which will last about ten minutes. The FoodSaver® Quick Marinating Canister is the perfect FoodSaver® accessory for marinating foods.

During the Marinate Cycle, the vacuum pump will “hold” the vacuum for several minutes then release the vacuum, allowing the food to “rest” for 30 seconds. This process then repeats. This “pulsing” action of “vacuuming and resting” will allow for quicker more flavorful marinating.

**Important Note:** Use the FoodSaver® during the Quick Marinate Cycle, make sure knob on lid of the Quick Marinating Canister accessory is set to OPEN. **Do not set knob to Vacuum during the Marinate Cycle.**

1. Prepare enough of your favorite marinade to fully cover food inside a marinating canister.
2. Make sure rubber gasket underneath lids as well as rim of marinating canister is free from food materials.
3. Make sure Retractable Accessory Hose (D) is securely inserted into port on the FoodSaver® Quick Marinating Canister lid (Fig. 1).
4. Make sure knob on accessory lid is set to OPEN (Fig. 2).
5. Make sure lid is firmly attached to marinator base.
6. Press Marinate button ⑤ on the control panel (Fig. 3).
7. Your FoodSaver® Vacuum Sealing System will now begin the Quick Marinate Cycle. The Marinate Indicator Light will flash to indicate the marinating process has begun.
8. During the initial vacuum cycle the Marinate Mode Indicator will illuminate. While Marinating, the Vacuum Progress Display will blink during the Vacuum Hold or Rest Cycle.
9. To preserve food safely, after completing the marinating cycle, the appliance will signal with short beeps to indicate your Quick Marinate Cycle is completed. Press any button to silence the signal. You may now cook or refrigerate your marinated food.
10. To use the Quick Marinating Canister to for extended vacuum storage (beyond the short Marinate Cycle): Rotate knob to Vacuum/Canister position, connect the Accessory hose (as above) and select the Accessory Mode cycle from the control panel. When motor turns off, rotate knob clockwise to the “Closed” position, then gently twist and remove Accessory Hose from accessory.



# Recipes for your FoodSaver® Appliance

For additional delicious recipes using the FoodSaver® system to prepare foods in advance, check our website, [www.foodsaver.com](http://www.foodsaver.com).

## Main Street Meatloaf

This meatloaf is a fantastic All-American version of classic meatloaf! Any leftovers can be packaged in a FoodSaver® Vacuum Storage Bag and frozen.

3 Tbsp. unsalted butter	1/2 tsp. dried marjoram
3/4 cup yellow onion, chopped	1/4 tsp. salt
3/4 cup celery, with leaves, chopped	1 tsp. black pepper, freshly ground
1/2 cup carrots, peeled and finely chopped	2 lbs. lean ground beef
1/4 cup fresh parsley, chopped	1/2 lb. ground veal
4 cloves garlic, minced	1/2 lb. ground pork
2 eggs, lightly beaten	3/4 cup plain bread crumbs
1/2 cup light cream	1 Tbsp. Worcestershire sauce
1/2 cup ketchup	1/2 cup tomato sauce
1/2 tsp. ground nutmeg	3 thick slices bacon, uncooked
1/2 tsp. dried thyme	canola oil nonstick cooking spray

Preheat the oven to 375° F. Coat a large rectangular baking dish with cooking spray. In a heavy skillet over medium heat, melt the butter and sauté the onion, celery, carrots, parsley and garlic until softened and the moisture has evaporated, about 10 minutes. Remove from the heat and set aside to cool. In a large bowl, whisk together the eggs, cream, ketchup, nutmeg, thyme, marjoram, salt and pepper. To the egg mixture, add the meats, bread crumbs and cooled vegetables, mixing thoroughly with a wooden spoon or your hands. Form the mixture into a large oval and place in the baking dish. Mix the Worcestershire sauce into the tomato sauce and spoon over the top of the meatloaf. Place the bacon slices lengthwise over the tomato sauce. Place the pan on the middle rack in the oven and bake for 45 minutes.

Remove from the oven, loosely cover and allow to rest for 15 minutes before slicing. Serve immediately or seal and freeze as needed.

*Serves 8 or makes 2 meals of 4 servings each.*

## Grilled Tarragon Mustard Chicken

Tender grilled chicken, marinated in the FoodSaver® Quick Marinating Canister, is a perfect foundation for any meal!

3 lbs. boneless, skinless, chicken breast halves (about 8 pieces)	1 Tbsp. lowfat margarine
1 cup Tarragon Mustard Marinade (below), divided	1/2 cup dry white wine

Prepare a charcoal or gas grill to medium high heat. Place the chicken breasts in the FoodSaver® Quick Marinating Canister, cover with 1/2-cup marinade and vacuum seal. Marinate for 20 minutes. Remove the chicken from the canister and discard the marinade. Lightly wipe the grill rack with cooking oil. Place the chicken breasts on the grill and cook over medium-high heat until well browned, about 6 to 8 minutes. Turn the chicken and cook until the meat is no longer pink and the internal temperature reaches 170° F on an instant read thermometer. When the chicken is pierced with a fork, the juices should run clear. While the chicken is grilling, melt the margarine in a medium sauté pan over medium heat. Add the remaining marinade and wine and bring to a boil. Cook the sauce at a high simmer, stirring constantly until slightly thickened. Reduce the heat to low and simmer another 4 minutes. To serve, place 4 grilled chicken pieces on a platter and ladle the sauce over each. Serve immediately.

*Makes 4 servings.*

Cool the remaining 4 grilled chicken breasts, separate into individual portion control sizes, vacuum seal and freeze.

## Tarragon Mustard Vinaigrette

3 Tbsp. champagne vinegar	1/2 tsp. salt
1 Tbsp. Dijon mustard	1/2 tsp. black pepper, freshly ground
1 tsp. lemon juice	3/4 cup extra-virgin olive oil
1 tsp. dried tarragon	

In a small bowl, whisk together the vinegar, mustard, lemon juice and spices, until blended. Drizzle in the olive oil, whisking constantly, until thoroughly blended.

*Makes 1 cup.*

### Smoky Tomato, New Potato & Fresh Pea Stew

Use handy FoodSaver® Vacuum Storage Bags to freeze pre-chopped onions, garlic, potatoes, tomatoes and parsley. Makes dinner time a snap to prepare!

1 Tbsp. extra-virgin olive oil	½ tsp. bottled liquid smoke flavoring
1 cup yellow onion, chopped	4 medium beefsteak tomatoes, chopped
1 clove garlic, minced	1 ½ cups fresh peas, (you may substitute frozen, thawed peas)
1 ½ lbs. new red potatoes, unpeeled, diced	1 Tbsp. fresh parsley, minced
4 cups Oregano & Garlic Tomato Sauce (below)	salt and pepper to taste
1 cup water	

In a large stockpot, heat the olive oil over medium heat. Sauté the onion and garlic in the oil until the onion is soft. Add the potatoes, Oregano & Garlic Tomato Sauce, water and liquid smoke flavoring. Bring the stew to a boil, reduce the heat to low and simmer for 30 minutes, or until the potatoes are tender. Add the tomatoes, peas, parsley and salt and pepper to taste. Stir to combine, cover and simmer until the peas are just tender.

### Oregano & Garlic Tomato Sauce

Use this flavorful sauce immediately or pre-freeze and vacuum seal in a FoodSaver® Vacuum Storage Bag for easy reheating.

3 Tbsp. extra-virgin olive oil	3 cups water
2 medium yellow onions, chopped	1 tsp. sugar
2 cloves garlic, minced	¾ tsp. salt
3 28 oz. cans whole peeled tomatoes	¾ tsp. dried oregano
3 cups tomato sauce (15 oz. can plus 8 oz. can)	½ tsp. black pepper, freshly ground
5 Tbsp. canned tomato paste	

In a large, heavy saucepan, heat the olive oil over medium heat. Add the onions and garlic and sauté until softened, about 5 minutes. In a large bowl, crush the tomatoes and add to the saucepan with the remaining ingredients. Stir well to blend, reduce the heat to simmer and cook uncovered for 45 minutes, stirring occasionally, reducing and slightly thickening the sauce.

*Makes 16 cups (4 quarts).*

### Grilled Far East Salmon Fillets

Use the FoodSaver® Quick Marinating Canister for quick results in marinating these fillets to perfection.

4 6-oz. salmon fillets	2 stalks lemongrass, cut in half
1 Cup Far East Marinade (below), divided	1 red onion, skin removed, and quartered

Place the fillets in the Quick Marinating Canister with ½-cup marinade, vacuum seal and marinate for at least 20 minutes. Prepare a gas or charcoal grill for medium heat. Remove the salmon and discard the marinade. Place the salmon fillets on the grill with a piece of lemongrass on each fillet. Place an onion quarter beside each fillet. Cover the grill and cook for 6 minutes. Turn the fillets over and brush with the remaining ½-cup marinade. Turn the onion quarters and place the lemongrass on top of each fillet. Cover and cook another 4 to 6 minutes, until the fish flakes easily. To serve, plate each fillet with a piece of lemongrass on top and the grilled quartered onion beside the fillet.

*Serves 4.*

### Far East Marinade

½ cup dry sherry	2 Tbsp. fresh ginger, grated
½ cup soy sauce	2 Tbsp. fresh garlic, minced
¼ cup rice wine vinegar	1 Tbsp. sugar
¼ cup sake or rice wine	1 Tbsp. fresh cilantro, chopped
2 Tbsp. sesame oil	1 tsp. hot Asian chile paste

Whisk all ingredients in a medium bowl until well blended.

*Makes 2 cups; enough for 6 pounds of chicken, beef, pork, shrimp or fish.*

## Trouble-Shooting

Problem	Solution
Red Seal LED Flashing	<ul style="list-style-type: none"> <li>• Bag not inserted properly. Remove bag, wait for red light to stop flashing and re-insert bag.</li> <li>• Wait 20 seconds between seals.</li> <li>• Unit overheated. Wait several minutes for unit to cool down.</li> </ul>
Vacuum Pump is running, but bag is not evacuating	<ul style="list-style-type: none"> <li>• If making a bag from a roll, make sure one end of bag is sealed. (See “How to Make a Bag from a FoodSaver® Vacuum Sealing Roll” on page 9.)</li> <li>• Open unit and make sure there are no foreign objects, dirt or debris on the top or bottom gasket. (See “Care and Cleaning” on page 15.)</li> </ul>
Bag is not sealing properly	<ul style="list-style-type: none"> <li>• Too much liquid in bag; freeze before vacuuming.</li> <li>• To prevent wrinkles in the seal, gently stretch bag flat while inserting bag into vacuum channel and continue to hold bag until vacuum pump starts.</li> </ul>
No lights on the control panel	<ul style="list-style-type: none"> <li>• Make sure unit is plugged in.</li> <li>• Make sure wall outlet is functional.</li> <li>• Press on/off button.</li> </ul>
Nothing happens when bag is inserted	<ul style="list-style-type: none"> <li>• Make sure unit has power (see above tip).</li> <li>• Tray Full; empty drip tray. Clean Drip Tray and place back into appliance. (See “Care and Cleaning” on page 15.)</li> <li>• Make sure Upper Bag Detection Tray is in place. (See page 4 diagram.)</li> <li>• Too much food in bag. Avoid overfilling. Allow 4 inches (10.16 cm) space between contents and top of bag.</li> <li>• Bag not inserted correctly. Insert bag CURL DOWN. Gently stretch bag flat while inserting. Hold bag until Vacuum Pump starts.</li> </ul>
Moist LED Flashing	<ul style="list-style-type: none"> <li>• Drip Tray has liquid or Drip Tray may be dirty. Empty liquid, clean Drip Tray and place back into appliance. (See “Care and Cleaning” on page 15.)</li> </ul>
If you need further assistance:	<ul style="list-style-type: none"> <li>• Call Consumer Services at <b>1-877-777-8042</b>.</li> <li>• For additional tips and answers to frequently asked questions, go to <b>www.foodsaver.com/Support.aspx</b></li> </ul>

## 1 Year Limited Warranty

Sunbeam Products, Inc. doing business as Jarden Consumer Solutions or if in Canada, Sunbeam Corporation (Canada) Limited doing business as Jarden Consumer Solutions (collectively “JCS”) warrants that for a period of one year from the date of purchase, this product will be free from defects in material and workmanship. JCS, at its option, will repair or replace this product or any component of the product found to be defective during the warranty period. Replacement will be made with a new or remanufactured product or component. If the product is no longer available, replacement may be made with a similar product of equal or greater value. This is your exclusive warranty. Do NOT attempt to repair or adjust any electrical or mechanical functions on this product. Doing so will void this warranty. This warranty is valid for the original retail purchaser from the date of initial retail purchase and is not transferable. Keep the original sales receipt. Proof of purchase is required to obtain warranty performance. JCS dealers, service centers, or retail stores selling JCS products do not have the right to alter, modify or any way change the terms and conditions of this warranty.

This warranty does not cover normal wear of parts or damage resulting from any of the following: negligent use or misuse of the product, use on improper voltage or current, use contrary to the operating instructions, disassembly, repair or alteration by anyone other than JCS or an authorized JCS service center. Further, the warranty does not cover: Acts of God, such as fire, flood, hurricanes and tornadoes.

### What are the limits on JCS’s Liability?

JCS shall not be liable for any incidental or consequential damages caused by the breach of any express, implied or statutory warranty or condition.

Except to the extent prohibited by applicable law, any implied warranty or condition of merchantability or fitness for a particular purpose is limited in duration to the duration of the above warranty.

JCS disclaims all other warranties, conditions or representations, express, implied, statutory or otherwise.

JCS shall not be liable for any damages of any kind resulting from the purchase, use or misuse of, or inability to use the product including incidental, special, consequential or similar damages or loss of profits, or for any breach of contract, fundamental or otherwise, or for any claim brought against purchaser by any other party.

Some provinces, states or jurisdictions do not allow the exclusion or limitation of incidental or consequential damages or limitations on how long an implied warranty lasts, so the above limitations or exclusion may not apply to you.

This warranty gives you specific legal rights, and you may also have other rights that vary from province to province, state to state or jurisdiction to jurisdiction.

### How to Obtain Warranty Service

#### In the U.S.A. –

If you have any question regarding this warranty or would like to obtain warranty service, please call 1.800.334.0759 and a convenient service center address will be provided to you.

#### In Canada –

If you have any question regarding this warranty or would like to obtain warranty service, please call 1.800.667.8623 and a convenient service center address will be provided to you.

In the U.S.A., this warranty is offered by Sunbeam Products, Inc. doing business as Jarden Consumer Solutions located in Boca Raton, Florida 33431. In Canada, this warranty is offered by Sunbeam Corporation (Canada) Limited doing business as Jarden Consumer Solutions, located at 20 B Hereford Street, Brampton, Ontario L6Y 0M1. If you have any other problem or claim in connection with this product, please write our Consumer Service Department.

**PLEASE DO NOT RETURN THIS PRODUCT TO ANY OF THESE ADDRESSES OR TO THE PLACE OF PURCHASE.**



## Table des matières

Consignes et conseils importants .....	23
Bienvenue à l'emballage sous vide FoodSaver <sup>MD</sup> .....	24
Caractéristiques de votre appareil FoodSaver <sup>MD</sup> .....	25
Expulsion de l'air d'un sac .....	29
Accessoires d'emballage sous vide FoodSaver <sup>MD</sup> .....	30
Comment fabriquer un sac à partir d'un rouleau de pellicule à sacs FoodSaver <sup>MD</sup> .....	31
Comment emballer sous vide avec les sacs FoodSaver <sup>MD</sup> .....	32
Directives générales d'emballage sous vide .....	33
Guide de conservation - viandes, fromages, légumes et fruits .....	35
Guide de conservation - produits de boulangerie, café, collations et liquides .....	36
Soins et entretien .....	37
La macération avec l'appareil FoodSaver <sup>MD</sup> .....	38
Recettes pour votre appareil FoodSaver <sup>MD</sup> .....	39
Dépannage .....	43
Garantie .....	44

## Consignes et conseils importants

### Consignes de sécurité importantes

#### Observez ces précautions de sécurité fondamentales lorsque vous utilisez un appareil FoodSaver<sup>MD</sup>:

1. Lisez la notice d'emploi avec soin pour vous familiariser avec le fonctionnement. Lisez toutes les instructions de ce manuel avant l'emploi.
2. N'employez l'appareil ni sur une surface humide ou chaude ni près d'une source de chaleur.
3. Pour vous protéger du choc électrique, ne plongez ni les pièces, ni le cordon, ni la fiche dans un liquide, quel qu'il soit. Débranchez l'appareil entre utilisations et avant de le nettoyer.
4. Débranchez l'appareil en tirant la fiche hors de la prise. Ne tirez pas sur le cordon d'un coup sec.
5. N'utilisez pas l'appareil si le cordon ou la fiche est abîmé(e), s'il a mal fonctionné ou est endommagé. Pour obtenir des renseignements, communiquez avec le service à la clientèle au numéro indiqué ci-dessous.
6. N'employez l'appareil qu'aux usages prévus.
7. Redoublez de vigilance quand un enfant se sert d'un appareil électrique. Interdisez formellement aux enfants d'utiliser l'appareil comme jouet.
8. Appareils 120 volts seul.: l'appareil FoodSaver<sup>MD</sup> présente une fiche polarisée (une branche est plus large que l'autre). Pour réduire le risque de choc électrique, elle n'enfoncée dans les prises polarisées que dans un sens. Si elle ne rentre pas dans la prise, inversez-la. Si elle ne pénètre toujours pas, communiquez avec un électricien qualifié. Ne la modifiez en aucune façon.
9. Attention: le cordon court fourni ne devrait pas faire trébucher, comme ça pourrait être le cas avec un cordon plus long. Servez-vous d'un cordon prolongateur au besoin – ses caractéristiques électriques doivent être au moins identiques à celles de l'appareil. Un tel cordon prolongateur ne doit pas pendre afin qu'il ne puisse ni être tiré ni faire trébucher.

## Consignes et conseils importants suite

10. Ne posez l'appareil ni dans un four chaud, ni sur, ni près d'un foyer de cuisson électrique ou à gaz chaud. Déplacez un récipient contenant des liquides chauds très prudemment.
11. Laissez écouler 20 secondes entre soudures afin que l'appareil refroidisse.

### Pour l'usage domestique seulement GARDEZ CES INSTRUCTIONS

#### Conseils importants

1. L'emballage sous vide ne remplace PAS la mise en boîte et la stérilisation. Les denrées périssables doivent toujours être réfrigérées ou congelées.
2. Pour obtenir les résultats optimaux, utilisez les sacs, contenants et accessoires FoodSaver<sup>MD</sup>.
3. Durant l'emballage sous vide, des faibles quantités de liquide, de miettes ou de particules peuvent être aspirées dans la rainure d'aspiration, obstruer la pompe et endommager l'appareil. Videz la rainure après chaque emploi.
4. Pour ne pas remplir les sacs à l'excès, laissez toujours un vide d'au moins 4 po (10,2 cm) entre le contenu et l'ouverture du sac. Ainsi la pellicule moulera le contenu et empêchera la tendance du sac à sortir de la rainure pendant le scellage. Prévoyez en outre 1 po (2,5 cm) de plus de longueur pour chacune des fois que vous avez l'intention de réutiliser le sac.

5. N'essayez pas de souder les côtés d'un sac FoodSaver<sup>MD</sup>. Ces sacs comportent des joints latéraux spéciaux, scellés jusqu'au bord.
6. Pour éviter les plis lors de l'emballage d'articles volumineux, étirez délicatement le sac à plat alors que vous le placez dans la rainure et tenez le sac jusqu'à ce que la pompe à vide démarre.
7. En présence d'arêtes tranchantes qui pourraient transpercer le sac (spaghettis secs, argenterie, etc.), enveloppez les articles d'essuie-tout, par ex., pour éviter les perforations. Vous pourriez aussi utiliser un contenant ou un bocal au lieu d'un sac.
8. Lors de l'emploi d'accessoires, laissez toujours un vide de 1 po (2,5 cm) au haut du contenant.
9. Précongelez les fruits et blanchissez les légumes avant l'emballage sous vide, les résultats seront meilleurs. Consultez les « Directives générales de l'emballage sous vide ».

Cet appareil comprend une fiche polarisée (une branche plus large que l'autre). Pour réduire le risque de choc électrique, elle n'enfoncée dans les prises polarisées que dans un sens. Si elle ne rentre pas dans la prise, inversez-la. Si vous échouez, communiquez avec un électricien qualifié. Ne la modifiez en aucune façon.

BIENVENUE

## Bienvenue à l'emballage sous vide FoodSaver<sup>MD</sup>

### Félicitations...

*Vous allez bénéficier des avantages « fraîcheur » que procure un appareil FoodSaver<sup>MD</sup>, la marque phare en matière d'emballage sous vide. Depuis des années, le système FoodSaver<sup>MD</sup> aide des millions de foyers à préserver la fraîcheur de leur alimentation au réfrigérateur, au congélateur et dans le garde-manger. Le système FoodSaver<sup>MD</sup> expulse tout l'air et garde frais jusqu'à 5 fois plus longtemps que les méthodes de conservation classiques. Laissez votre appareil FoodSaver<sup>MD</sup> sur le comptoir, à portée de la main, et vous découvrirez vite sa commodité et sa polyvalence!*

### Cadeau d'enregistrement!

Enregistrez votre produit sans délai et vous recevrez un cadeau – notre façon de vous remercier d'être un(e) client(e) FoodSaver<sup>MD</sup>.

Faites-le en ligne: [www.foodsaver.com/register](http://www.foodsaver.com/register). Vous aurez accès à des promotions spéciales uniquement réservées aux inscrits en ligne!

**Des questions?**  
Contactez le service à la clientèle au  
**1 877 804-5383**  
ou visitez [www.foodsaver.com](http://www.foodsaver.com).

Ne retournez pas ce produit au lieu d'achat.

# Caractéristiques de votre appareil FoodSaver<sup>MD</sup>



**A. Commandes et voyants lumineux**  
Pour indiquer le réglage, la progression et augmenter le contrôle.

**B. Affichage de l'état de la soudure**  
Les voyants verts signalent la progression du vide et de la soudure. Tous les voyants s'éteignent à la fin du processus.

**C. Touche soudure/arrêt**  
Soudure instantanée CrushFree<sup>MC</sup>. Interrompt le vide et scelle le sac pour éviter d'écraser les aliments fragiles.

**D. Tuyau à accessoires escamotable/port accessoire**  
Le tuyau à accessoires s'utilise avec tous les accessoires de marque FoodSaver<sup>MD</sup>.

**E. Rainure d'aspiration**  
Placez-y le bout ouvert du sac et l'appareil FoodSaver<sup>MD</sup> fait le reste.

**F. Range-cordon**  
Au fond de l'appareil.



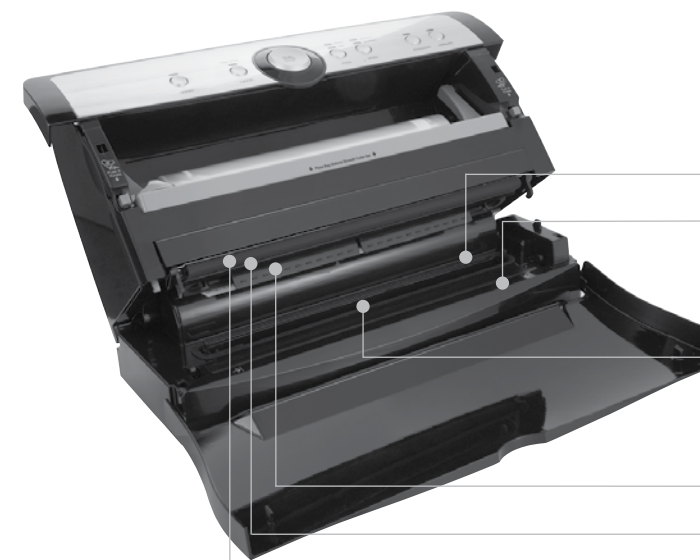
**G. Porte-rouleau intégré**  
Accepte un rouleau de pellicule à sacs FoodSaver<sup>MD</sup>.

**H. Barre coupe-sac**  
Simplifie la fabrication des sacs sur mesure.

**I. Détection automatique de sac**  
Placez le bout ouvert du sac dans la rainure d'aspiration, l'appareil le perçoit, retient le sac, fait le vide puis scelle le sac avant de s'éteindre automatiquement.

**J. Touches de déblocage**  
Permettent d'ouvrir l'appareil afin de faciliter le nettoyage.

**K. Volet de l'appareil**  
S'ouvre pour permettre d'accéder au porte-rouleau et au coupe-sac.



**L. Joint inférieur (fixe)**

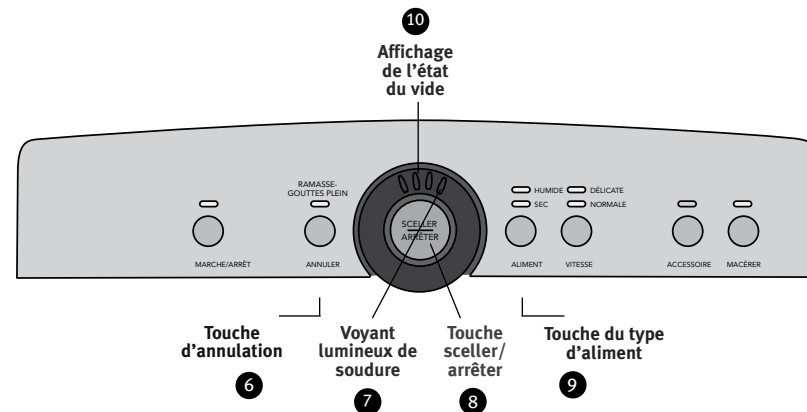
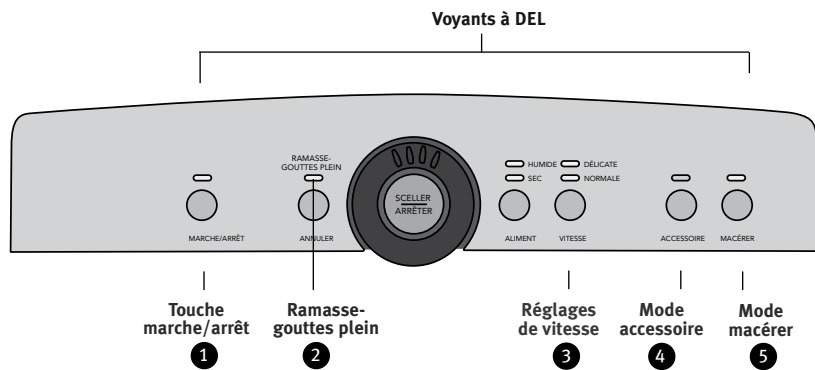
**M. Très large bande de soudure à revêtement antiadhésif**  
Fournit une soudure ultrarésistante et hermétique, deux fois plus large.

**N. Ramasse-gouttes**  
Recueille l'excédent de liquide et abrite les capteurs qui détectent le liquide.

**O. Bac supérieur de détection de sac**

**P. Joint mousse supérieur (fixe)**

**Q. Section du joint en caoutchouc**



### 1 TOUCHE D'ALIMENTATION MARCHÉ/ARRÊT

Vous pressez cette touche pour la mise en marche. Les voyants d'alimentation, de vitesse et de type d'aliment s'allument. Après la soudure sous vide, vous la pressez pour éteindre l'appareil.

**Remarque:** L'appareil s'éteint automatiquement après un laps de 12 minutes.

### 2 VOYANT DE RAMASSE-GOUTTES PLEIN

Un peu de liquide, des miettes ou particules alimentaires peuvent être aspirés dans le ramasse-gouttes (N) durant la soudure sous vide. Quand le ramasse-gouttes est plein, l'appareil s'éteint et le voyant de ramasse-gouttes plein 2 s'allume. Afin que le fonctionnement normal reprenne, videz le ramasse-gouttes, lavez-le à l'eau savonneuse chaude (ou en machine, dans le panier du haut) puis asséchez-le à fond et replacez-le. (Consultez la rubrique intitulée « Soins et entretien » en page 37.)

### 3 TOUCHE DE RÉGLAGE DE VITESSE

Pour emballer les aliments fragiles sous vide, pressez la touche de réglage de vitesse 3 afin que le voyant de la vitesse « Délicate » s'allume. Pour profiter d'un contrôle optimal, vous pouvez en tout temps presser la touche de soudure 8, ce qui interrompt l'expulsion de l'air et soude automatiquement le sac.

**Remarque:** « Normale » est la vitesse par défaut lorsque la touche d'alimentation est pressée.

### 4 TOUCHE DU MODE ACCESSOIRE

Vous la pressez pour obtenir le vide optimal dans les contenants et les accessoires. Appuyez sur la touche du mode accessoire 4 pour commencer à faire le vide. Le moteur tournera jusqu'à ce que la soudure sous vide soit terminée.

### 5 TOUCHE DU MODE MACÉRER

Composé de périodes de pulsations et de repos, ce programme de dix minutes optimise l'infusion des saveurs dans le temps le plus bref qui soit. Voyez la rubrique intitulée « La macération avec l'appareil FoodSaver<sup>MD</sup> » en page 38.)

### 6 TOUCHE D'ANNULATION

Interrompt instantanément la fonction en cours en ouvrant la rainure d'aspiration.

### 7 VOYANT LUMINEUX DE SOUDURE

Une lumière uniformément rouge indique que le processus est en cours. **(Une lumière qui clignote signale une erreur. Voyez « Dépannage » en page 43 pour plus de renseignements.)**

### 8 TOUCHE SCELLER/ARRÊTER

Soudure instantanée CrushFree<sup>MC</sup> – cette touche remplit trois fonctions:

1. Pressée, elle interrompt instantanément l'évacuation de l'air et commence à sceller le sac. Ceci empêche d'écraser les aliments de nature délicate, tels le pain, les biscuits et les pâtisseries.
2. Pressée, elle soude l'extrémité des sacs fabriqués à partir des rouleaux FoodSaver<sup>MD</sup>.
3. Pressée, elle scelle hermétiquement les sacs en Mylar (les sacs de croustilles, par exemple) afin de préserver la fraîcheur du contenu restant.

### 9 TOUCHE DU TYPE D'ALIMENT

Pour obtenir le vide et le scellement optimaux lorsque vous emballez des aliments moelleux et juteux sous vide, pressez la touche du type d'aliment 9 jusqu'à ce que le voyant du réglage « Humide » soit allumé. Choisissez le réglage « Sec » pour les aliments secs.

Le voyant du réglage « Humide » clignote dès que les capteurs détectent automatiquement la présence d'humidité ou de liquide dans le ramasse-gouttes (N).

**Remarque:** L'appareil passe au réglage « Sec » à la pression sur la touche de mise sous ou hors tension, à moins que du liquide n'ait été détecté dans le ramasse-gouttes. (Voyez la rubrique « Soins et entretien » de cette notice d'emploi en page 37.)

### 10 AFFICHAGE DE L'ÉTAT DU VIDE

Affiche l'état du vide dans le sac ou dans le contenant.

## Expulsion de l'air d'un sac

Évitez les plis lorsque vous insérez le sac dans la rainure d'aspiration (E).

Des plis causent fuites et infiltration d'air. Pour éliminer de tels plis lorsque vous placez le sac dans la rainure d'aspiration (E), tenez le sac des deux mains et étirez-le délicatement pour qu'il repose à plat, jusqu'à ce que la pompe démarre. Si vous découvrez un pli dans la soudure, coupez simplement cette dernière et recommencez.

**Si le moteur tourne plus de 30 secondes sans s'arrêter, agissez comme suit:**

Si vous faites le vide et scellez le sac, assurez-vous que le sac soit convenablement scellé (voyez « Comment fabriquer un sac à partir d'un rouleau » en page 31.) Vérifiez qu'il n'y ait pas de particules alimentaires sur le joint en mousse qui entoure le bac supérieur de détection de sac (O). N'essayez pas de retirer le joint.

Si vous employez un accessoire, vérifiez que le tuyau à accessoires soit parfaitement assujéti, sans jeu.

**Remarque:** L'appareil doit être employé à la verticale et non en position horizontale.

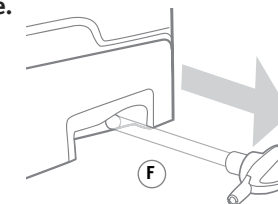
**Remarque:** L'appareil s'arrêtera au bout d'environ deux minutes si le vide ne peut pas être fait.

## Accessoires d'emballage sous vide FoodSaver<sup>MD</sup>

### Tuyau à accessoires à dévidoir

1. Préparez le contenant tel qu'indiqué dans les instructions relatives aux accessoires FoodSaver<sup>MD</sup>, fournies à l'achat.
2. Tirez le tuyau à accessoires (D) hors de l'appareil et insérez son bout dans le port de l'accessoire. Tournez la patte durant l'insertion pour bien assujettir le bout.
3. Appuyez sur la touche du mode accessoire 4 afin de commencer à expulser l'air. Le moteur tournera jusqu'à ce que le vide soit fait. (Pour macérer, suivez les directives données à la section de macération, en page 38.)
4. Lorsque le moteur s'arrête, tournez délicatement le tuyau pour le séparer de l'accessoire.
5. Pour vérifier le vide, tirez simplement sur le couvercle de l'accessoire. Il ne devrait pas bouger.
6. Pour escamoter le tuyau à accessoires: tirez doucement son bout pour amorcer l'escamotage, tandis que vous tenez l'appareil d'une main. Continuez à tenir le tuyau qui se rembobine pour ne pas risquer d'abîmer le bout.

**Important: Ne tirez pas le tuyau au-delà de la bague verte.**



**Remarque:** Si vous vous servez d'un contenant à gros bouton blanc, tournez le bouton en sens horaire pour le mettre à la position «Closed» (fermé), puis tournez délicatement le tuyau à accessoires pour le séparer de l'accessoire.



## Comment fabriquer un sac à partir d'un rouleau de pellicule à sacs FoodSaver<sup>MD</sup>

1. Ouvrez le volet de l'appareil (fig. 1) et placez le rouleau de pellicule à sacs dans le porte-rouleau (F) (fig. 2), en mettant de préférence le bout du sac en bas pour faciliter l'emploi.

**Remarque:** Vous pouvez souder les sacs que le volet soit ouvert ou fermé.

2. Levez la barre coupe-sac (H) et placez la pellicule à sacs sous la barre (fig. 3).

3. Déroulez une longueur suffisante de pellicule pour contenir l'article à emballer sous vide, plus 4 po (10,2 cm). Abaissez la barre et faites glisser la lame coupe-sac (H) d'un bout à l'autre (fig. 4).

4. Pressez la touche sceller/arrêter (C). Le voyant lumineux rouge de scellement (7) s'allumera (fig. 5).

5. Des deux mains, insérez le bout ouvert du sac, l'incurvation en bas, dans la rainure d'aspiration (E) jusqu'à ce que le moteur de pression démarre. Le sac doit être centré entre les flèches. (La rainure est utilisable que le volet soit ouvert ou fermé.)

6. Quand le voyant rouge de soudure (7) s'éteint, la soudure est faite et vous pouvez retirer le sac de la rainure d'aspiration (E).

7. Une extrémité du sac est ainsi soudée (fig. 6).

8. Vous pouvez désormais emballer sous vide avec ce nouveau sac sur mesure (voyez en page suivante).

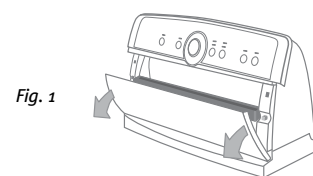


Fig. 1

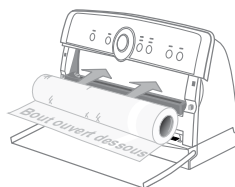


Fig. 2

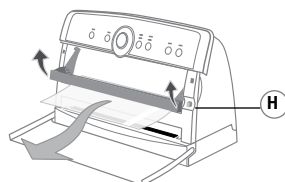


Fig. 3

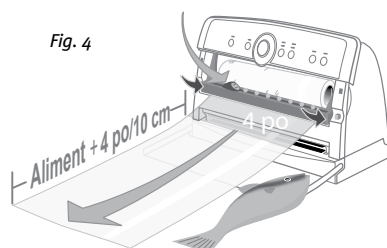


Fig. 4

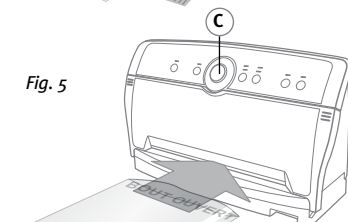


Fig. 5



Fig. 6

## Comment emballer sous vide avec les sacs FoodSaver<sup>MD</sup>

1. Prenez un sac précoupé FoodSaver<sup>MD</sup> (ou bien faites un sac sur mesure tel que décrit sous «Comment fabriquer un sac à partir d'un rouleau de pellicule à sacs» en page 31).

2. Placez le(s) article(s) dans le sac en veillant à ce qu'il reste au moins 4 po (10,2 cm) entre le haut du contenu et l'ouverture du sac (fig. 1). Cet espace est nécessaire afin que la pellicule moule bien le contenu.

3. OPTION: Si vous désirez personnaliser l'opération, vous pouvez régler le type d'aliment (9) ainsi que la vitesse (3) (fig. 2). «Normale» et «Sec» sont les réglages respectifs de vitesse et de type d'aliment par défaut. Voyez les pages 27 et 28 pour plus de renseignements.

4. Votre nouveau système FoodSaver<sup>MD</sup> fait le vide et soude automatiquement. **Pour faire le vide: NE PRESSEZ PAS LA TOUCHE SCELLER/ARRÊT.** Des deux mains, insérez le bout ouvert du sac – l'incurvation en bas – dans la rainure d'aspiration (E) (fig. 3, 4).

5. Tenez le sac jusqu'à ce que la pompe se mette en marche. Vous pouvez alors lâcher le sac. Les voyants lumineux d'état du vide (10) s'allumeront. **Remarque:** Si le contenu est fragile, vous pouvez presser la touche sceller/arrêter (C) en tout temps afin que le processus automatique de soudure débute.

6. Quand le voyant rouge de soudure (7) s'éteint, retirez le sac (fig. 5). Réfrigérez-le ou congelez-le. **Remarque:** Laissez écouler au moins 20 secondes entre les soudures afin que l'appareil refroidisse.

Visitez au [www.foodsaver.com](http://www.foodsaver.com) pour obtenir des conseils pratiques d'emballage sous vide, vidéos de formation et renseignements concernant l'achat de pièces et d'accessoires FoodSaver<sup>MD</sup> – les sacs précoupés, par exemple.

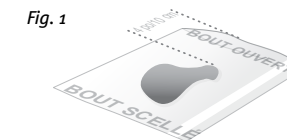


Fig. 1

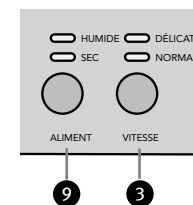


Fig. 2

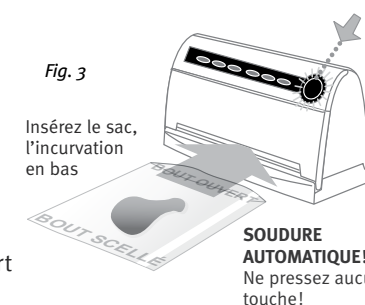


Fig. 3

Insérez le sac, l'incurvation en bas

**SOUDEUR AUTOMATIQUE!**  
Ne pressez aucune touche!

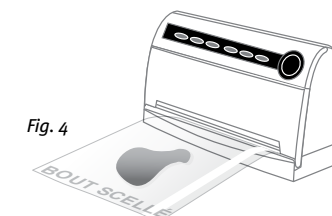


Fig. 4

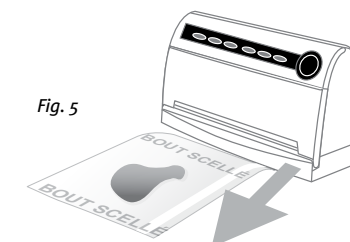


Fig. 5

# Directives générales d'emballage sous vide

## Emballage sous vide et salubrité

L'emballage sous vide évacue presque tout l'air des contenants hermétiques et prolonge la fraîcheur des denrées; ceci réduit l'oxydation qui altère valeur nutritive, saveur et qualité d'ensemble. Faire le vide freine la croissance des microorganismes, source de contamination sous certaines conditions:

**Moisissures** – Faciles à identifier en raison du feutrage. Ne pouvant pas proliférer dans les milieux où il y a peu d'oxygène, l'emballage sous vide se révèle parfait pour freiner leur croissance.

**Levures** – Provoquent la fermentation, identifiées à l'odeur et au goût. Elles ont besoin d'eau, de sucre et de températures modérées pour se multiplier. Elles prolifèrent avec ou sans air. Alors que la réfrigération ralentit leur multiplication, la congélation l'arrête totalement.

**Bactéries** – Caused une odeur désagréable, la décoloration ou une texture douce et gluante. Sous conditions favorables, les bactéries anaérobies telles Clostridium botulinum (à l'origine du botulisme) peuvent croître sans air et parfois ne pas être détectées par l'odeur ou le goût. Bien que rares, ces bactéries peuvent présenter des dangers réels.

Les basses températures sont essentielles pour la salubrité des aliments. Vous pouvez énormément réduire la croissance des microorganismes à 40 °F (4 °C) ou moins. La congélation à 0 °F (-17 °C) ne tue pas les microorganismes, mais arrête leur croissance. Congelez toujours les denrées périssables emballées sous vide pour les conserver à long terme et réfrigérez-les après leur décongélation.

Soulignons que l'emballage sous vide ne remplace PAS la mise en conserve et la stérilisation et qu'il ne peut inverser la détérioration des aliments. Il ne fait que ralentir l'altération de la qualité. Prédire combien de temps les aliments garderont leur saveur, texture et apparence optimales est difficile et dépend de l'âge et de l'état des aliments au moment de l'emballage.

**IMPORTANT: Emballer sous vide ne remplace PAS la réfrigération ou la congélation.** Les denrées périssables devant être réfrigérées doivent continuer à être réfrigérées après l'emballage sous vide.

## Conseils de préparation et de réchauffage

### Décongélation et réchauffage des aliments

**emballés sous vide:** Faites-les toujours dégeler au réfrigérateur ou au four à micro-ondes, jamais, au grand jamais, à la température ambiante.

Pour réchauffer les aliments au micro-ondes dans un sac FoodSaver<sup>MD</sup> coupez un coin du sac avant de le poser dans un plat transparent aux micro-ondes. Pour éviter les points chauds, ne microondez pas de viande avec os ou d'aliments gras dans les sacs FoodSaver<sup>MD</sup>. Alternative: placez le sac FoodSaver<sup>MD</sup> dans l'eau qui frémit à moins de 170 °F (75 °C).

### Préparation de la viande et du poisson

Pour résultats optimaux, précongelez la viande et le poisson 1 ou 2 heures avant de les emballer sous vide dans des sacs FoodSaver<sup>MD</sup>. Leurs jus et forme seront préservés, la soudure du sac sera supérieure.

S'il est impossible de les précongeler, placez un essuie-tout plié au haut du sac, entre la viande ou le poisson et la ligne de soudure. Laissez ce papier dans le sac, il absorbera l'humidité durant le vide.

**Remarque:** Par suite de l'absence d'oxygène, le bœuf peut sembler plus foncé après l'emballage sous vide. Il ne s'agit pas d'un signe d'avarie.

### Préparation des fromages à pâte dure

Emballer les fromages sous vide en fin d'emploi pour qu'ils restent frais. Utilisez un sac FoodSaver<sup>MD</sup> très long: prévoyez un supplément de 1 po (2,5 cm) pour chaque fois que vous ouvrirez et rescellerez le sac, outre les 4 po (10,2 cm) requis entre le morceau et la soudure. Coupez la soudure, sortez le fromage, Replacez le fromage dans le sac et soudez celui-ci.

**IMPORTANT: Par suite du risque de bactéries anaérobies, les fromages à pâte molle ne devraient jamais être emballés sous vide.**

**Préparation des légumes:** Les légumes doivent être blanchis avant leur emballage sous vide. Ce procédé met fin à l'activité enzymatique qui pourrait, à la longue, entraîner perte de saveur, décoloration et altération de la texture.

Blanchissez les légumes en les mettant dans l'eau bouillante ou au micro-ondes, pour qu'ils cuisent mais soient encore croquants. Comptez 1 ou 2 min pour les légumes-feuilles et petits pois; 3 ou 4 min pour les pois «Sugar snap», rondelles de courgette ou brocolis; 5 min pour les carottes et 7 à 11 min pour les épis de maïs. Une fois blanchis, plongez-les dans l'eau froide pour arrêter la cuisson. Asséchez les légumes avant de les emballer sous vide.

**Remarque:** Tous les légumes (y compris les brocolis, choux de Bruxelles, chou, chou-fleur, chou frisé et navets) dégagent des gaz. Une fois blanchis, ils doivent être congelés sans délai.

Il est préférable de précongeler les légumes pendant 1 ou 2 heures, ou jusqu'à ce qu'ils soient totalement congelés, avant l'emballage sous vide. Pour faire des portions individuelles, étalez-les sur une plaque à biscuits en veillant à ce qu'ils ne se touchent pas et ne congèlent pas en un bloc. Une fois les légumes congelés, placez les différentes portions dans des sacs FoodSaver<sup>MD</sup> que vous souderez puis remettez au congélateur.

**IMPORTANT: Par suite des risques dus aux bactéries anaérobies, champignons frais, oignons frais et ail cru ne devraient jamais être emballés sous vide.**

### Préparation des légumes-feuilles

Utilisez de préférence un contenant pour eux. Lavez-les, séchez-les avec torchon ou essoreuse à salade. Une fois secs, placez-les dans un contenant que vous scellerez sous vide. Gardez-les au réfrigérateur.

### Préparation des fruits

Mieux vaut précongeler les fruits tendres et les petits fruits pendant 1 ou 2 heures – ou jusqu'à ce qu'ils soient durs. Pour faire des portions individuelles, étalez-les sur une plaque à biscuits de façon à ce qu'ils ne se touchent pas et ne congèlent pas en un seul bloc. Une fois les fruits congelés, mettez les portions dans des sacs FoodSaver<sup>MD</sup> que vous souderez puis congèlez.

Vous pouvez faire des portions utilisables pour la cuisson, ainsi que vos combinaisons préférées pour préparer des salades de fruits toute l'année. Si vous désirez simplement les réfrigérer, nous conseillons d'employer un contenant FoodSaver<sup>MD</sup>.

### Préparation des produits de boulangerie

Nous conseillons de placer les produits de boulangerie mous et légers dans des contenants FoodSaver<sup>MD</sup> afin qu'ils gardent leur forme. Pour utiliser un sac, précongelez le produit 1 ou 2 heures – il doit être dur. Économisez du temps: préparez pâtes à biscuits, fonds de tarte, tartes ou mélanges variés à l'avance et emballez-les sous vide pour les utiliser ultérieurement.

### Préparation du café et des aliments en poudre

Afin que la pompe n'aspire pas de particules, placez un filtre papier à café ou un essuie-tout sur le contenu, avant de sceller le sac. Vous pouvez aussi mettre l'aliment, dans son emballage d'origine, dans un sac FoodSaver<sup>MD</sup>, ou bien utiliser un couvercle universel FoodSaver<sup>MD</sup> avec le contenant d'origine.

### Préparation des liquides

Précongelez les liquides – les bouillons, par exemple – dans cocottes, moules ou plateaux à glaçons jusqu'à ce qu'ils soient durs. Démoulez-les et placez dans des sacs FoodSaver<sup>MD</sup>. Ces briques s'empileront facilement dans le congélateur. Pour les employer, coupez le coin du sac et posez le sac dans un plat transparent aux micro-ondes ou bien réchauffez le sac dans l'eau qui frémit à moins de 170 °F (75 °C).

Pour les liquides non gazeux embouteillés, vous pouvez utiliser un bouchon FoodSaver<sup>MD</sup> avec la bouteille d'origine. N'oubliez pas de laisser 1 po (2,5 cm) entre le contenu et le bas du bouchon. Rescellez la bouteille après chaque utilisation.

### Préparation des repas cuisinés à l'avance, des restes et des sandwichs

Conservez efficacement les restes, sandwichs ou repas préparés, dans des boîtes FoodSaver<sup>MD</sup>. Ces contenants empilables, microondables et lavables dans le panier supérieur du lave-vaisselle viennent avec un adaptateur sur mesure. Légers, ils seront prêts à prendre le chemin de l'école ou du bureau!

### Préparation des collations

Emballées sous vide dans des boîtes FoodSaver<sup>MD</sup>, vos grignotines – les craquelins par ex. – resteront fraîches plus longtemps et ne s'écraseront pas.

### Emballage des articles non comestibles

Le système FoodSaver<sup>MD</sup> protège également des articles non comestibles contre l'oxydation, la corrosion et l'humidité. Observez les directives d'emballage sous vide données pour l'emploi des sacs, contenants et accessoires FoodSaver<sup>MD</sup>.

Enveloppez les dents des fourchettes d'argent de matériau de bourrage doux – un essuie-tout, ou autre – pour ne pas transpercer le sac. Les sacs FoodSaver<sup>MD</sup> valent leur pesant d'or en plein air. Ils gardent allumettes, cartes et aliments au sec, sous faible volume, lors du camping ou des randonnées. Pour avoir de l'eau fraîche à déguster, remplissez un sac FoodSaver<sup>MD</sup> de glaçons, soudez-le et laissez fondre la glace au besoin. Pour vos sorties en bateau, emballez nourriture, films ou pellicules et vêtements de rechange sous vide. N'oubliez pas les ciseaux ou un couteau pour ouvrir les sacs.

Gardez les trousseaux d'urgence en lieu sûr et au sec. Emballez fusées lumineuses, piles, torches, bougies, allumettes, sous vide – elles resteront au sec, faciles à retrouver dans maison, voiture ou bateau.

## Guide de conservation – viandes, fromages, légumes et fruits

Aliments	Lieu de conservation	Sac ou accessoire FoodSaver <sup>MD</sup> recommandé	Durée de conservation avec FoodSaver <sup>MD</sup>	Durée de conservation normale
<b>Viandes</b>				
Bœuf, porc, agneau	Congélateur	Sac FoodSaver <sup>MD</sup>	2 à 3 ans	6 mois
Viande hachée	Congélateur	Sac FoodSaver <sup>MD</sup>	1 an	4 mois
Volaille	Congélateur	Sac FoodSaver <sup>MD</sup>	2 à 3 ans	6 mois
Poisson	Congélateur	Sac FoodSaver <sup>MD</sup>	2 ans	6 mois
<b>Fromages à pâte dure</b> ( n’emballez pas les fromages à pâte molle sous vide )				
Cheddar, suisse	Réfrigérateur	Sac ou contenant FoodSaver <sup>MD</sup>	4 à 8 mois	1 à 2 semaines
Parmesan	Réfrigérateur	Sac ou contenant FoodSaver <sup>MD</sup>	4 à 8 mois	1 à 2 semaines
<b>Légumes</b> ( N’emballez pas les champignons frais, les oignons et l’ail cru sous vide )				
Asperges	Congélateur	Sac FoodSaver <sup>MD</sup>	2 à 3 ans	8 mois
Brocolis, chou-fleur	Congélateur	Sac FoodSaver <sup>MD</sup>	2 à 3 ans	8 mois
Chou, choux de Bruxelles	Congélateur	Sac FoodSaver <sup>MD</sup>	2 à 3 ans	8 mois
Haricots verts	Congélateur	Sac FoodSaver <sup>MD</sup>	2 à 3 ans	8 mois
Laitue, épinards	Congélateur	Sac FoodSaver <sup>MD</sup>	2 semaines	3 à 6 jours
Maïs (épis ou grains)	Réfrigérateur	Contenant FoodSaver <sup>MD</sup>	2 à 3 ans	8 mois
Pois mange-tout, Sugar Snap	Congélateur	Sac FoodSaver <sup>MD</sup>	2 à 3 ans	8 mois
<b>Fruits</b>				
Abricots, prunes	Congélateur	Sac FoodSaver <sup>MD</sup>	1 à 3 ans	6 à 12 mois
Pêches, nectarines	Congélateur	Sac FoodSaver <sup>MD</sup>	1 à 3 ans	6 à 12 mois
<b>Petits fruits mous</b>				
Fraises	Réfrigérateur	Contenant FoodSaver <sup>MD</sup>	1 semaine	1 à 3 jours
Framboises, mûres	Réfrigérateur	Contenant FoodSaver <sup>MD</sup>	1 semaine	1 à 3 jours
<b>Petits fruits plus durs</b>				
Bleuets	Réfrigérateur	Contenant FoodSaver <sup>MD</sup>	2 semaines	3 à 6 jours
Canneberges	Réfrigérateur	Contenant FoodSaver <sup>MD</sup>	2 semaines	3 à 6 jours
Myrtilles	Réfrigérateur	Contenant FoodSaver <sup>MD</sup>	2 semaines	3 à 6 jours

## Produits de boulangerie, café, collations et liquides

Aliments	Lieu de conservation	Sac ou accessoire FoodSaver <sup>MD</sup> recommandé	Durée de conservation avec FoodSaver <sup>MD</sup>	Durée de conservation normale
<b>Produits de boulangerie</b>				
Baguels, pain, pâtisseries	Congélateur	Sac FoodSaver <sup>MD</sup>	1 à 3 ans	6 à 12 mois
<b>Noix</b>				
Amandes, cacahuètes	Garde-manger	Sac, contenant FoodSaver <sup>MD</sup>	2 ans	6 mois
Graines de tournesol	Garde-manger	Sac, contenant FoodSaver <sup>MD</sup>	2 ans	6 mois
<b>Café</b>				
Café en grains	Congélateur	Sac FoodSaver <sup>MD</sup>	2 à 3 ans	6 mois
Café en grains	Garde-manger	Sac, contenant FoodSaver <sup>MD</sup>	1 an	3 mois
Café moulu	Congélateur	Sac FoodSaver <sup>MD</sup>	2 ans	6 mois
Café moulu	Garde-manger	Sac, contenant FoodSaver <sup>MD</sup>	5 à 6 mois	1 mois
<b>Liquides préparés</b>				
Sauces, soupes, ragoûts	Congélateur	Sac FoodSaver <sup>MD</sup>	1 à 2 ans	3 à 6 mois
<b>Liquides embouteillés</b>				
Huiles	Garde-manger	Bouchon FoodSaver <sup>MD</sup>	12 à 18 mois	5 à 6 mois
<b>Aliments secs</b>				
Légumineuses, céréales	Garde-manger	Sac, contenant FoodSaver <sup>MD</sup>	1 à 2 ans	6 mois
Nouilles, riz	Garde-manger	Sac, contenant FoodSaver <sup>MD</sup>	1 à 2 ans	6 mois
<b>Aliments en poudre</b>				
Farine	Garde-manger	Sac, contenant FoodSaver <sup>MD</sup>	1 à 2 ans	6 mois
Lait sec	Garde-manger	Sac, contenant FoodSaver <sup>MD</sup>	1 à 2 ans	6 mois
Noix de coco	Garde-manger	Sac, contenant FoodSaver <sup>MD</sup>	1 à 2 ans	6 mois
Sucre, cassonade	Garde-manger	Sac, contenant FoodSaver <sup>MD</sup>	1 à 2 ans	6 mois
<b>Grignotines</b>				
Biscuits, craquelins	Garde-manger	Contenant FoodSaver <sup>MD</sup>	3 à 6 semaines	1 à 2 semaines
Croustilles	Garde-manger	Contenant FoodSaver <sup>MD</sup>	3 à 6 semaines	1 à 2 semaines



## Soins et entretien

## Nettoyage de l'appareil

Appuyez sur la touche d'alimentation puis tirez le cordon d'alimentation hors de la prise de courant. N'immergez cet appareil dans aucun liquide.

Ouvrez le volet (K) puis, alors que vous tenez l'appareil des deux mains, pressez les deux touches de déblocage (J) du pouce, faites basculer l'appareil loin de vous et couchez-le sur le plan de travail. En fin de nettoyage, tenez l'appareil des deux mains et faites-le basculer pour le remettre droit et le verrouiller.

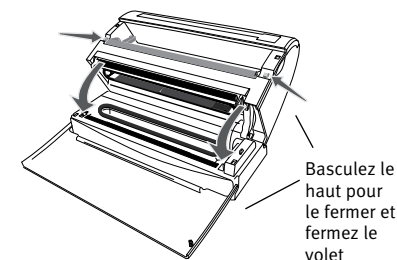
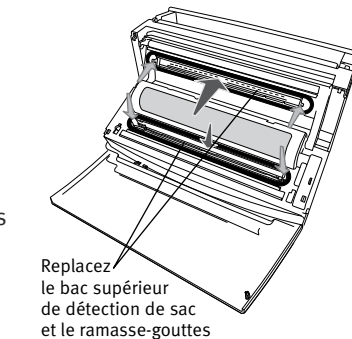
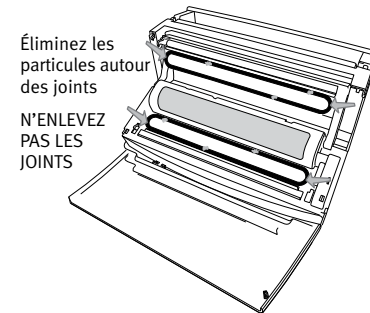
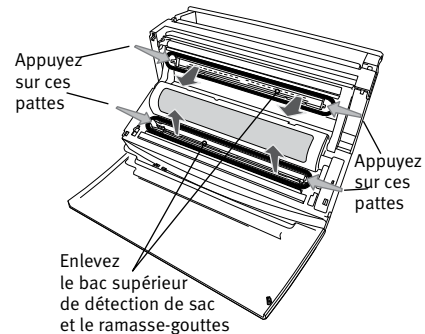
Vérifiez le joint inférieur (L) autour du ramasse-gouttes (N) ainsi que le joint en mousse supérieur (P) autour du bac supérieur de détection de sac (O) pour vous assurer que des particules alimentaires n'y adhèrent pas. N'essayez pas d'enlever les joints.

## Ramasse-gouttes et plateau supérieur de détection de sac antibactériens

Videz le ramasse-gouttes après chaque séance d'utilisation. Lavez-le à l'eau savonneuse chaude ou dans le panier du haut du lave-vaisselle. S'il reste du liquide dans le ramasse-gouttes (N), le rendement des capteurs sera défavorablement affecté.

Cet appareil présente un voyant de ramasse-gouttes plein ②. Quand du liquide remplit le ramasse-gouttes, l'appareil s'arrête et le voyant de plein s'allume. Pour recommencer à utiliser l'appareil, ouvrez le volet (K), appuyez sur les deux touches de déblocage (J), faites basculer l'appareil loin de vous et couchez-le sur le plan de travail. Appuyez sur les touches pour retirer le ramasse-gouttes, videz-le, lavez-le puis remplacez-le. Quand vous le repositionnez, mettez le bout droit en place avant de presser fermement sur les deux bouts pour les assujettir. Bien qu'il soit possible d'employer l'appareil sans le ramasse-gouttes, la fonction du type d'aliment ⑨ est inutilisable s'il n'est pas en place.

Nettoyez le bac supérieur de détection de sac (O) après chaque utilisation, il est amovible. Pour ceci, levez les pattes qui se trouvent de part et d'autre – ne tirez pas les flèches pour retirer ce bac. Lavez le bac à l'eau savonneuse chaude ou bien placez-le dans le panier du haut du lave-vaisselle. Il est IMPÉRATIF que le bac supérieur de détection de sac soit en place pour que l'appareil fonctionne. Sans lui, l'appareil FoodSaver<sup>MD</sup> ne peut absolument pas détecter les sacs que vous placez dans la rainure d'aspiration (E).

La macération avec votre appareil FoodSaver<sup>MD</sup>

L'appareil d'emballage sous vide FoodSaver<sup>MD</sup> présente un cycle spécial qui permet de mariner les aliments en environ dix minutes. Le macérateur rapide FoodSaver<sup>MD</sup> est l'accessoire FoodSaver<sup>MD</sup> de choix pour faire mariner les aliments.

Durant le cycle de macération, la pompe à vide «retient» l'air pendant plusieurs minutes avant de le libérer afin que l'aliment repose pendant 30 secondes. Ce processus est alors répété à deux autres reprises. Cette fonction pulsée «vide-repos» accélère la macération d'une part et augmente la saveur des aliments, d'autre part.

**Remarque importante:** Utilisez le macérateur rapide FoodSaver<sup>MD</sup> et, durant le cycle de macération, assurez-vous que le bouton du couvercle soit à la position «OPEN» (ouvert). **Ne réglez jamais le bouton du couvercle à «Vacuum» (vide) pendant le cycle de macération.**

1. Préparez suffisamment de votre marinade préférée pour bien recouvrir les aliments dans le macérateur.
2. Assurez-vous qu'il y ait pas de particules alimentaires sur le joint de caoutchouc des couvercles et sur le bord du contenant.
3. Veillez à ce que le tuyau à accessoires (D) soit solidement inséré dans le couvercle du macérateur FoodSaver<sup>MD</sup> (fig. 1).
4. Veillez à ce que le bouton du couvercle soit réglé à «OPEN» (fig. 2).
5. Veillez à ce que le couvercle soit solidement fixé au contenant.
6. Pressez la touche de macération ⑤ au tableau (fig. 3).
7. Le cycle de macération de l'appareil FoodSaver<sup>MD</sup> débutera alors. Le voyant de macération clignotera, signe de cycle en cours.
8. Le voyant du mode de macération luira durant le vide initial. Au cours de la macération, les voyants d'état du vide clignoteront durant les périodes d'expulsion de l'air et de repos.
9. Pour préserver la salubrité des aliments venant de mariner, l'appareil bipera pour vous avertir que le cycle de macération rapide est terminé. Pressez toute touche pour arrêter le signal. Vous pouvez alors soit cuire l'aliment mariné, soit le réfrigérer.
10. Pour employer le macérateur afin d'y faire mariner des aliments pendant une période prolongée (plus longue que le cycle): tournez le bouton pour le mettre à la position Vide/contenant, fixez-y le tuyau à accessoires (comme ci-haut) et sélectionnez le mode accessoire au tableau de commande. Lorsque le moteur s'éteint, tournez le bouton en sens horaire pour le mettre à la position «Closed», puis tordez délicatement le tuyau à accessoires afin de le séparer de l'accessoire.

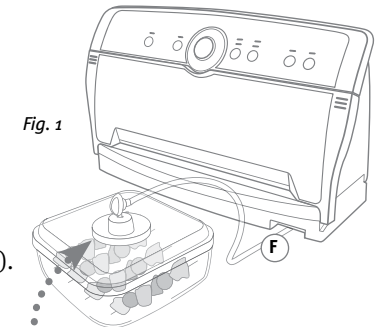
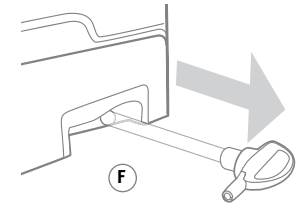


Fig. 1

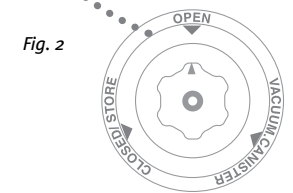


Fig. 2

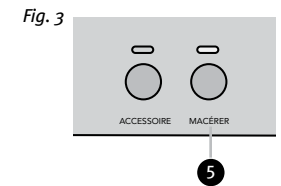


Fig. 3



# Recettes pour votre appareil FoodSaver<sup>MD</sup>

Notre site Web [www.foodsaver.com](http://www.foodsaver.com) propose d'autres recettes délicieuses pouvant être préparées à l'avance puis emballées avec le système FoodSaver<sup>MD</sup>.

## Pain de viande tendance

La version nec-plus-ultra du pain de viande classique cher aux Américains! S'il y a des restes, vous pouvez les emballer sous vide dans un sac FoodSaver<sup>MD</sup> puis les congeler.

45 mL de beurre non salé	2 mL de marjolaine déshydratée
200 mL d'oignon jaune haché	1 mL de sel
200 mL de céleri, avec feuilles, haché	5 mL de poivre noir, frais moulu
125 mL de carotte, épluchée et hachée très fin	1 kg de bœuf haché maigre
50 mL de persil frais, haché	250 g de veau haché
4 gousses d'ail, hachées fin	250 g de porc haché
2 œufs, légèrement battus	200 mL de chapelure nature
125 mL de crème fleurette	15 mL de sauce Worcestershire
125 mL de ketchup	125 mL de sauce tomate
2 mL de muscade moulue	3 épaisses tranches de bacon non cuit
2 mL de thym déshydraté	aérosol de cuisson antiadhésif à l'huile de colza

Préchauffez le four à 375 °F/190 °C. Enduisez un grand plat rectangulaire allant au four d'aérosol de cuisson antiadhésif. À feu moyen, faites fondre le beurre dans une poêle à frire à fond épais pour faire sauter l'oignon, le céleri, la carotte, le persil et l'ail jusqu'au ramollissement et à l'évaporation de l'humidité, soit environ 10 minutes. Retirez du feu et laissez refroidir. Dans un grand bol à mélanger, fouettez les œufs, la crème, le ketchup, la muscade, le thym, la marjolaine, le sel et le poivre. Ajoutez les viandes, la chapelure ainsi que les légumes refroidis au mélange d'œufs. Combinez bien les ingrédients avec une cuiller en bois ou à la main. Donnez une forme de pain ovale à la préparation que vous placerez dans le plat préparé. Mélangez la sauce Worcestershire et la sauce tomate; nappez-en le dessus du pain à la cuiller. Disposez les tranches de bacon en longueur, sur la sauce tomate. Placez le plat sur la grille centrale du four et faites cuire 45 minutes.

Sortez le plat du four; couvrez-le, mais pas hermétiquement, et laissez reposer le pain 15 minutes avant de le couper en tranches. Servez ce pain de viande immédiatement ou bien emballez-le sous vide en portions appropriées et congelez-les.

*Donne 8 portions ou fait 2 repas de 4 portions chacun.*

## Poulet grillé à l'estragon et à la moutarde

Ce poulet grillé tendre, mariné dans le macérateur rapide FoodSaver<sup>MD</sup>, est le point de départ par excellence pour composer un menu qui sera acclamé!

1,5 kg de poitrines de poulet désossées, et sans peau (environ 8 poitrines)	15 mL de margarine maigre
250 mL de marinade à l'estragon et à la moutarde (ci-dessous), divisée	125 mL de vin blanc sec

Chauffez un gril à charbon ou à gaz à chaleur moyenne. Placez les poitrines de poulet dans le macérateur rapide FoodSaver<sup>MD</sup>, arrosez-les de 125 mL de marinade puis fermez le macérateur sous vide. Macérez le poulet 20 minutes. Retirez-le du contenant et jetez la marinade. Huilez légèrement la grille de cuisson. Posez les poitrines de poulet sur le gril et faites-les cuire à feu moyen jusqu'à ce qu'elles soient bien dorées – de 6 à 8 minutes. Tournez-les et prolongez la cuisson jusqu'à ce que la viande ait perdu sa teinte rosée et qu'un thermomètre à mesure instantanée indique une température interne de 170 °F/77 °C. Les sucs devraient être incolores lorsque les dents d'une fourchette sont enfoncées dans la viande. Tandis que le poulet grille, faites fondre la margarine dans une sauteuse moyenne, à feu moyen. Ajoutez-y le reste de la marinade ainsi que le vin et portez à l'ébullition. Cuisez la sauce à feu vif, en remuant sans arrêt, jusqu'à ce qu'elle épaississe légèrement. Baissez le feu et cuisez-la au frémissement 4 minutes de plus. Pour servir, disposez 4 poitrines grillées dans un plat de service et nappez-les de sauce. Servez sans délai.

*Donne 4 portions.*

Laissez refroidir les 4 autres poitrines de poulet grillées, séparez-les en portions appropriées, emballez celles-ci sous vide puis congelez-les.

## Vinaigrette à l'estragon et à la moutarde

45 mL de vinaigre de champagne	2 mL de sel
15 mL de moutarde de Dijon	2 mL de poivre noir, frais moulu
5 mL de jus de citron	200 mL d'huile d'olive vierge extra
5 mL d'estragon déshydraté	

Dans un petit bol, fouettez le vinaigre, la moutarde, le jus de citron et les épices pour bien les mélanger. Sans cesser de fouetter, incorporez l'huile d'olive, quelques gouttes à la fois, pour obtenir un mélange homogène.

*Donne 250 mL de vinaigrette*

### Ragoût fumé de tomates, pommes de terre nouvelles et petits pois frais

Servez-vous d'un sac FoodSaver<sup>MD</sup> pour congeler oignons hachés, ail, pommes de terre, tomates et persil. Vous préparerez votre repas en deux temps, trois mouvements.

15 mL d'huile d'olive vierge extra	2 mL d'arôme de fumée liquide embouteillé
250 mL d'oignon jaune haché	4 tomates Beefsteak moyennes, concassées
1 gousse d'ail, hachée menu	375 mL de petits pois frais, (peuvent être remplacés par des petits pois congelés, décongelés)
750 g de pommes de terre nouvelles rouges, non épluchées mais coupées en dés	15 mL de persil frais, haché fin
1 litre de sauce tomate origan et ail (ci-dessous)	sel et poivre au goût
250 mL d'eau	

Chauffez l'huile d'olive à feu moyen dans une marmite puis faites sauter l'oignon et l'ail jusqu'à ce que l'oignon ait ramolli. Ajoutez les pommes de terre, la sauce tomate, l'eau et l'arôme de fumée. Portez à l'ébullition, modérez le feu et faites mijoter 30 minutes – les pommes de terre doivent être tendres. Incorporez les tomates, les petits pois et le persil; salez et poivrez au goût. Remuez pour bien combiner, couvrez et faites cuire doucement jusqu'à ce que les petits pois soient tendres, pas plus.

### Sauce tomate origan et ail

Employez cette sauce savoureuse sans délai ou bien précongelez-la et emballez-la sous vide dans un sac FoodSaver<sup>MD</sup> pour pouvoir la réchauffer très simplement.

45 mL d'huile d'olive vierge extra	750 mL d'eau
2 oignons jaunes moyens, hachés	5 mL de sucre
2 gousses d'ail, hachées fin	4 mL de sel
3 boîtes de 796 mL de tomates entières pelées	4 mL d'origan déshydraté
750 mL de sauce tomate	2 mL de poivre noir, frais moulu
75 mL de purée de tomate en boîte	

Chauffez l'huile d'olive à feu moyen, dans une grande casserole à fond épais, et faites sauter les oignons et l'ail jusqu'à ce que l'oignon ait ramolli, soit environ 5 minutes. Concassez les tomates dans un grand bol, versez-les dans la casserole; mettez alors le reste des ingrédients dans la casserole. Remuez pour bien mélanger, réduisez le feu et cuisez la sauce au frémissement sans la couvrir, pendant 45 minutes; remuez-la de temps à autre – vous la réduirez et elle épaissira légèrement.

*Donne environ 4 litres de sauce*

### Filets de saumon grillés à la mode asiatique

Employez le macérateur rapide FoodSaver<sup>MD</sup> pour rapidement macérer ces filets à la perfection.

4 filets de saumon de 170 g	2 tiges de citronnelle, coupées en deux
250 mL de marinade asiatique (ci-dessous), divisée	1 oignon rouge, épluché et coupé en quatre

Placez les filets dans le macérateur, arrosez-les de 125 mL de marinade puis faites le vide dans le contenant pour macérer les filets au moins 20 minutes. Chauffez un gril à charbon ou à gaz à température moyenne. Retirez le saumon de la marinade et jetez celle-ci. Disposez les filets sur le gril et mettez un morceau de citronnelle sur chacun. Placez un quart d'oignon à côté de chaque filet. Couvrez le gril et faites cuire 6 minutes. Tournez les filets et badigeonnez-les avec la marinade restante. Tournez les quarts d'oignon et mettez un morceau de citronnelle sur chaque filet. Couvrez et faites cuire de 4 à 6 minutes ou jusqu'à ce que le poisson se défasse facilement à la fourchette. Pour servir, placez un filet dans chaque assiette, un morceau de citronnelle sur le filet et un quart d'oignon grillé à côté du filet.

*Donne 4 portions*

### Marinade asiatique

125 mL de xérès sec	30 mL de gingembre frais, râpé
125 mL de sauce de soja	30 mL d'ail frais, haché fin
50 mL de vinaigre de saké	15 mL de sucre
50 mL de saké	15 mL de coriandre fraîche, hachée
30 mL d'huile de sésame	5 mL de pâte forte de piments asiatiques

Fouettez tous les ingrédients dans un bol moyen pour bien les mélanger.

*Donne 500 mL de marinade, ce qui suffit pour 3 kg de poulet, de bœuf, de porc, de crevettes ou de poisson.*

## Dépannage

Problème	Solution
Le voyant rouge à DEL de soudure clignote	<ul style="list-style-type: none"> <li>Le sac n'est pas inséré correctement. Retirez le sac, attendez que le voyant rouge cesse de clignoter puis insérez le sac de nouveau.</li> <li>Laissez écouler 20 secondes entre les soudures.</li> <li>L'appareil a surchauffé. Laissez-le refroidir pendant quelques minutes.</li> </ul>
La pompe de vide fonctionne mais l'air n'est pas expulsé du sac	<ul style="list-style-type: none"> <li>Si vous avez fabriqué un sac sur mesure, assurez-vous qu'un bout soit soudé. (Voyez « Comment fabriquer un sac à partir d'un rouleau de pellicule à sacs FoodSaver<sup>MD</sup> » page 31.)</li> <li>Ouvrez l'appareil et vérifiez qu'il n'y ait pas de corps étrangers, saleté ou débris sur les joints du haut et du bas. (Voyez « Soins et entretien » page 37.)</li> </ul>
Le sac ne se soude pas convenablement	<ul style="list-style-type: none"> <li>Le contenu du sac est trop liquide; congelez-le avant de faire le vide.</li> <li>Pour éviter que la bande de soudure fasse des plis, étirez doucement le bout ouvert du sac quand vous l'insérez dans la rainure d'aspiration et tenez le sac jusqu'à ce que la pompe démarre.</li> </ul>
Les voyants lumineux ne brillent pas au tableau de commande	<ul style="list-style-type: none"> <li>Assurez-vous que l'appareil soit branché.</li> <li>Vérifiez que la prise murale soit en bon état de fonctionnement.</li> <li>Appuyez sur la touche marche/arrêt.</li> </ul>
Rien ne se passe à l'insertion du sac	<ul style="list-style-type: none"> <li>Assurez-vous que l'appareil soit sous tension (voyez le conseil ci-dessus).</li> <li>Le ramasse-gouttes est plein – videz-le, lavez-le puis remplacez-le dans l'appareil. (Voyez « Soins et entretien » en page 37.)</li> <li>Vérifiez que le bac supérieur de détection de sac soit en place. (Voyez le schéma en page 26.)</li> <li>Le sac est trop plein, ce qui est à éviter. Laissez un espace de 4 po (10,2 cm) entre le haut du contenu et l'ouverture du sac.</li> <li>Le sac n'est pas inséré correctement. Introduisez le sac avec l'INCURVATION EN BAS. Étirez délicatement le sac à plat tout en l'insérant et tenez-le jusqu'à ce que le moteur commence à expulser l'air.</li> </ul>
La DEL d'aliment humide clignote	<ul style="list-style-type: none"> <li>Le ramasse-gouttes contient du liquide ou bien il est sale. Videz-le, lavez-le et remplacez-le dans l'appareil. (Voyez « Soins et entretien » en page 37.)</li> </ul>
Si vous avez besoin d'aide...	<ul style="list-style-type: none"> <li>Appelez notre service à la clientèle au <b>1 877 777-8042</b>.</li> <li>Pour obtenir d'autres conseils et les réponses aux questions fréquentes, allez au <a href="http://www.foodsaver.com/Support.aspx">www.foodsaver.com/Support.aspx</a></li> </ul>

## Garantie limitée d'un an

Sunbeam Products, Inc. faisant affaires sous le nom de Jarden Consumer Solutions ou, si au Canada, Sunbeam Corporation (Canada) Limited faisant affaires sous le nom de Jarden Consumer Solutions (collectivement « JCS ») garantit que pour une période d'un an à partir de la date d'achat, ce produit sera exempt de défauts de pièces et de main-d'œuvre. JCS, à sa discrétion, réparera ou remplacera ce produit ou tout composant du produit déclaré défectueux pendant la période de garantie. Le produit ou composant de remplacement sera soit neuf soit réusiné. Si le produit n'est plus disponible, il sera remplacé par un produit similaire de valeur égale ou supérieure. Il s'agit de votre garantie exclusive. N'essayez PAS de réparer ou d'ajuster toute fonction électrique ou mécanique de ce produit, cela annulera cette garantie.

Cette garantie est valide pour l'acheteur initial du produit à la date d'achat initiale et ne peut être transférée. Conservez votre facture d'achat originale. Les détaillants et les centres de service JCS ou les magasins de détail vendant les produits JCS n'ont pas le droit d'altérer, de modifier ou de changer de toute autre manière les termes et les conditions de cette garantie.

Cette garantie ne couvre pas l'usure normale des pièces ou les dommages résultant de toute cause suivante: utilisation négligente ou mauvaise utilisation du produit, utilisation d'un voltage ou d'un courant incorrects, utilisation contraire aux instructions d'utilisation, démontage, réparation ou altération par quiconque autre que JCS ou un centre de service autorisé de JCS. En outre, la garantie ne couvre pas: les catastrophes naturelles comme les feux, les inondations, les ouragans et les tornades.

### Quelles sont les responsabilités de JCS?

JCS ne sera pas tenu responsable de tout dommage conséquent ou accessoire causé par la violation de toute garantie ou condition expresse, implicite ou réglementaire.

Sauf si cela est interdit par les lois en vigueur, toute garantie ou condition implicite de valeur marchande ou adéquate à un usage particulier est limitée en durée à la durée de la garantie énoncée ci-dessus.

JCS exclut toute autre garantie, condition ou représentation, expresse, implicite, réglementaire ou autre.

JCS ne sera pas tenu responsable de tout dommage de toute sorte résultant de l'achat, de l'usage ou du mauvais usage, ou de l'incapacité à utiliser le produit y compris les dommages ou les pertes de profits conséquents, accessoires, particuliers ou similaires, ou pour toute violation de contrat, fondamentale ou autre, ou pour toute réclamation portée à l'encontre de l'acheteur par toute autre partie.

Certaines provinces, états ou juridictions ne permettent pas d'exclusion ou de limitation pour des dommages conséquents ou accessoires ou de limitations sur la durée de la garantie implicite, de ce fait les limitations ou exclusions ci-dessus peuvent ne pas s'appliquer à votre cas.

Cette garantie vous donne des droits juridiques particuliers et vous pouvez également disposer d'autres droits pouvant varier d'une province à l'autre, d'un état à l'autre ou d'une juridiction à l'autre.

### Comment obtenir le Service aux termes de la garantie

#### Aux É.U.

Si vous avez des questions concernant cette garantie ou si vous souhaitez obtenir le service aux termes de la garantie, veuillez appeler au 1 800 334-0759 et l'adresse d'un centre de service approprié vous sera fournie.

#### Au Canada

Si vous avez des questions concernant cette garantie ou si vous souhaitez obtenir le service aux termes de la garantie, veuillez appeler au 1 800 667-8623 et l'adresse d'un centre de service approprié vous sera fournie.

Aux É.U., cette garantie est offerte par Sunbeam Products, Inc. faisant affaires sous le nom de Jarden Consumer Solutions, situé à Boca Raton, Floride 33431. Au Canada, cette garantie est offerte par Sunbeam Corporation (Canada) Limited faisant affaires sous le nom de Jarden Consumer Solutions, situé au 20 B Hereford Street, Brampton, Ontario L6Y 0M1. Pour tout autre problème ou réclamation en relation avec ce produit, veuillez écrire à notre département du Service à la clientèle.

**VEUILLEZ NE RETOURNER CE PRODUIT À AUCUNE DE CES ADRESSES NI À L'ÉTABLISSEMENT D'ACHAT.**

Lined writing area for page 45.

Lined writing area for page 46.



Lined writing area for page 47.

Lined writing area for page 48.

## Free Manuals Download Website

<http://myh66.com>

<http://usermanuals.us>

<http://www.somanuals.com>

<http://www.4manuals.cc>

<http://www.manual-lib.com>

<http://www.404manual.com>

<http://www.luxmanual.com>

<http://aubethermostatmanual.com>

Golf course search by state

<http://golfingnear.com>

Email search by domain

<http://emailbydomain.com>

Auto manuals search

<http://auto.somanuals.com>

TV manuals search

<http://tv.somanuals.com>