



MARK VIII

Your satisfaction is our #1 goal. If you have questions or concerns with your vehicle, we suggest you follow these steps:

1. Contact your Sales Representative or Service Advisor at your selling/servicing dealership.
2. If the inquiry or concern remains unresolved, contact the Sales Manager or Service Manager at the dealership.
3. If the inquiry or concern cannot be resolved at the dealership level, please contact the Lincoln Customer Assistance Center.

In the United States:

Ford Motor Company
Lincoln Customer Assistance Center
300 Renaissance Center
P.O. Box 43360
Detroit, MI 48243
1-800-521-4140
TDD for the hearing impaired: 1-800-232-5952

In Canada:

Ford Motor Company of Canada, Limited
The Lincoln Centre
P.O. Box 1580, Station B
Mississauga, Ontario L4Y 4G3
1-800-387-9333

Outside the U.S. or Canada:

Ford Motor Company Worldwide Export Operations
1555 Fairlane Drive
Fairlane Business Park #3
Allen Park, Michigan 48101
Telephone (313) 594-4857
Fax (313) 390-0804

All rights reserved. Reproduction by any means, electronic or mechanical, including photocopying, recording, or by any information storage and retrieval system or translation in whole or part is not permitted without written authorization from Ford Motor Company.

Copyright © 1996 Ford Motor Company

Table of Contents

Introduction

Ford's Commitment to You

At Ford Motor Company, excellence is the continuous commitment to achieve the best result possible. It is dedication to learning what you want, determination to develop the right concept, and execution of that concept with care, precision, and attention to detail. In short, excellence means being the standard by which others are judged.

Our Guiding Principles

- Quality comes first.** For your satisfaction, the quality of our products and services must be our number one priority.
- You are the focus of everything we do.** Our work must be done with you in mind, providing better products and services than our competition.
- Continuous improvement is essential to our success.** We must strive for excellence in everything we do: in our products — in their safety and value — and in our services, our human relations, our competitiveness, and our profitability.
- Employee involvement is our way of life.** We are a team. We must treat one another with trust and respect.
- Dealers and suppliers are our partners.** We must maintain mutually beneficial relationships with dealers, suppliers, and our other business associates.
- Integrity is never compromised.** Our conduct worldwide must be pursued in a manner that is socially responsible and commands respect for its integrity and for its positive contributions to society.

Things to Know About Using This Guide

Congratulations on the purchase of your new vehicle. This guide has information about the equipment and the options for your new vehicle. You may not have bought all of the options available to you. If you do not know which information applies to your vehicle, talk to your dealer.

This guide describes equipment and gives specifications for equipment that was in effect when this guide was approved for printing. Ford may discontinue models or change specifications or design without any notice and without incurring obligation.

NOTES and WARNINGS

NOTES give you additional information about the subject matter you are referencing.

WARNINGS remind you to be especially careful in those areas where carelessness can cause damage to your vehicle or personal injury to yourself, your passengers or other people. Please read all **WARNINGS** carefully.

| |
|----------------|
| WARNING |
| |

Finding Information in This Guide

After you have read this guide once, you will probably return to it when you have a specific question or need additional information. To help you find specific information quickly, you can use the Quick Index or the Index.

The **Quick Index** at the end of the book provides a page number following each item which indicates where detailed information can be found.

To use the **Index**, turn to the back of the book and search in the alphabetical listing for the word that best describes the information you need. If the word you chose is not listed, think of other related words and look them up. We have designed the Index so that you can find information under a technical term.

Canadian Owners — French Version

French Owner Guides can be obtained from your dealer or by writing to Ford Motor Company of Canada, Limited, Service Publications, P.O. Box 1580, Station B, Mississauga, Ontario L4Y 4G3.

The Lincoln Commitment

The Lincoln Commitment is more than the prestige of owning a superior luxury automobile, it is a comprehensive owner benefits package that is designed to provide you with services to support your every driving need. Refer to the Lincoln Commitment brochure for more information.

Your Maintenance Schedule and Record Booklet

The *Maintenance Schedule* booklet lists the services that are most important for keeping your vehicle in good condition. A record log is also provided to help you keep track of all services performed.

About the Warranties

Your vehicle is covered by three types of warranties: **Basic Vehicle Warranty**, **Extended Warranties** on certain parts, and **Emissions Warranties**.

Read your *Warranty Information Booklet* carefully to find out about your vehicle's warranties and your basic rights and responsibilities.

If you lose your *Warranty Information Booklet*, you can get a new one free of charge. Contact any Ford or Lincoln-Mercury dealer, or refer to the addresses and phone numbers on the first page of this Owner's Guide.

Ford Extended Service Plan

More Protection for Your Vehicle

You can get more protection for your new car or light truck by purchasing a Ford Extended Service Plan (Ford ESP). Ford ESP is the only extended service program with the Ford name on it and the only service contract backed by Ford Motor Company.

Ford ESP is an optional service contract, backed and administered by Ford. It provides:

- protection against repair costs after your Bumper to Bumper Warranty expires;
- and
- other benefits during the warranty period (such as: reimbursement for rentals; coverage for certain maintenance and wear items).

You may purchase Ford ESP from any participating Ford Motor Company dealer. There are several Ford ESP plans available in various time-and-mileage combinations. Each plan can be tailored to fit your own driving needs, including reimbursement benefits for towing and rental. (In Hawaii, rules vary. See your dealer for details.)

When you buy Ford ESP, you receive peace-of-mind protection throughout the United States and Canada, provided by a network of more than 5,100 participating Ford Motor Company dealers.

NOTE: Repairs performed outside the United States and Canada are not eligible for ESP coverage.

This information is subject to change. Ask your dealer for complete details about Ford ESP coverage.

Breaking Your Vehicle In

Your new vehicle goes through an adjustment or break-in period during the first 1,000 miles (1,600 km) that you drive it. During the break-in period, you need to pay careful attention to how you drive your vehicle.

- Avoid sudden stops.** Because your vehicle has new brake linings, you should take these steps:
 - Watch traffic carefully so that you can anticipate when to stop.
 - Begin braking well in advance.
 - Apply the brakes gradually.

The break-in period for new brake linings lasts for 100 miles (160 km) of city driving or 1,000 miles (1,600 km) of highway driving.

- Use only the type of engine oil that Ford recommends.** See *Engine oil recommendations* in the Index. Do not use special “break-in” oils.

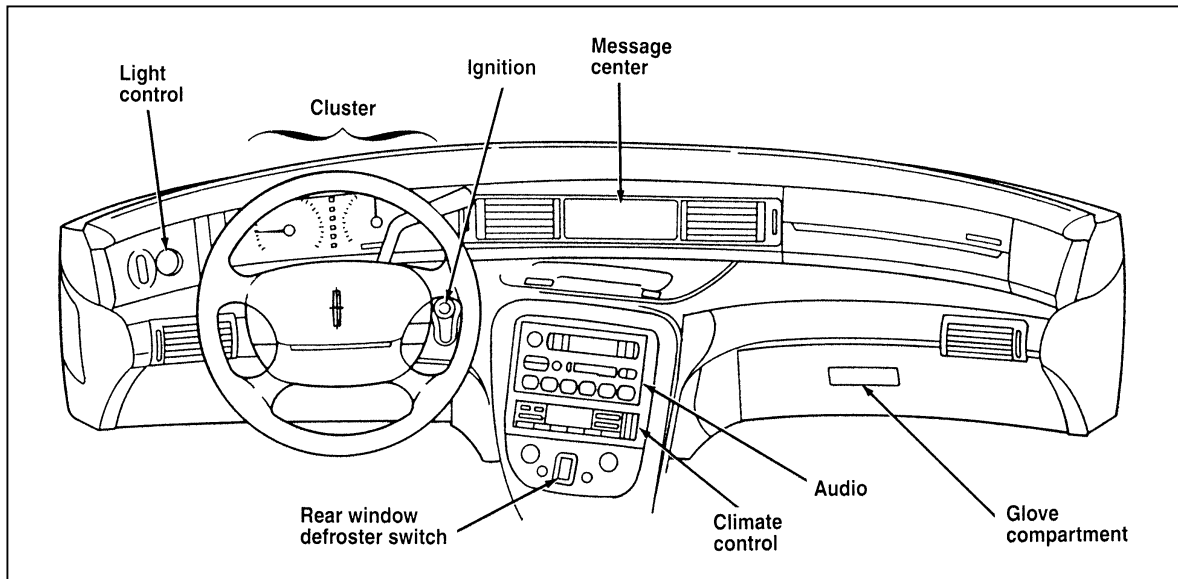
Instrumentation

The instrument panel (dashboard) on your vehicle is divided into several different sections. The illustrations on the following pages show the major parts of the instrument panel that are described in this chapter. Some items shown may not be on all vehicles.

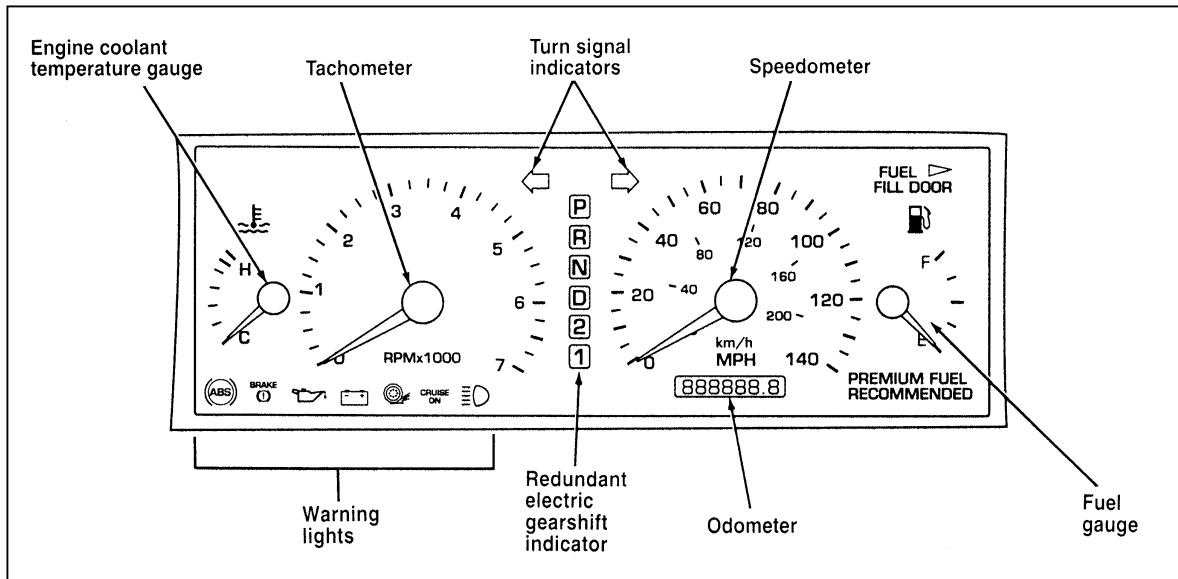
The main controls for the climate control system, clock, and radio are on the instrument panel.

If you have radio transmitting equipment in your vehicle, be aware that it can interfere with your vehicle's electrical system and may cause the instrumentation and/or convenience products to have temporary, abnormal operation.

NOTE: Any cleaner or polish that increases the gloss (shine) of the upper part of the instrument panel should be avoided. The dull finish in this area is to help protect the driver from undesirable windshield reflection.



The Instrument Panel

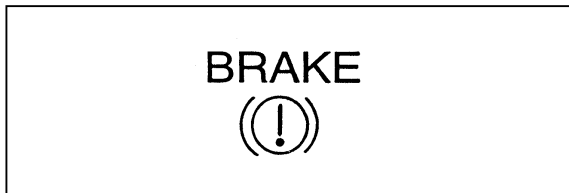


The Instrument Cluster

Indicator Lights and Chimes

Brake System Warning Light

The warning light for the brakes can show two things — that the parking brake is not fully released, or that the brake fluid level is low in the master cylinder reservoir. If the fluid level is low, the brake system should be checked by your dealer or a qualified service technician.



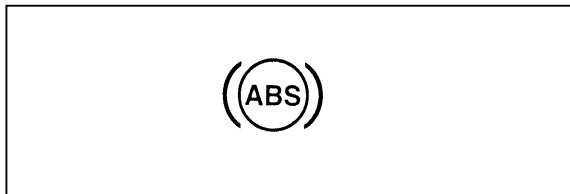
This light comes on when the parking brake is set, or if it is not set, it comes on briefly when you turn the ignition to the START position. It normally goes off shortly after the engine starts and the gearshifter is moved into a gear. If the light stays on the Auto-Release system may have failed to perform a successful release, try the manual parking brake release lever and have the brake system serviced by your dealer or a qualified service technician.

Low brake fluid level will turn the light on. Excessive brake lining wear or a system leak will cause low brake fluid levels.

| |
|--|
| WARNING |
| The BRAKE light indicates that the brakes may not be working properly. Have the brakes checked immediately. |

Anti-Lock Brake System Warning Light

This light comes on for a few seconds when you turn the ignition key to the START position. It should go off shortly after the engine starts. If it stays on longer than five (5) seconds, it indicates that your anti-lock brake system may not be working properly. Normal braking is not affected unless the BRAKE system warning light also remains on for longer than six (6) seconds. You should have your vehicle serviced immediately by your dealer or qualified service technician to restore the benefits of the anti-lock feature. See *Anti-lock brakes* in the Index for more information.



Engine Oil Pressure Warning Light

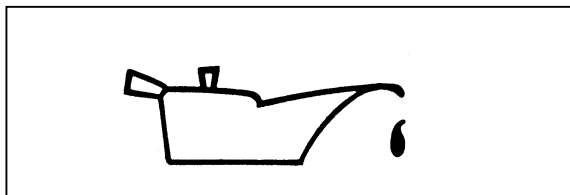
This light indicates the engine's oil pressure, not the oil level. However, if your engine's oil level is low, it could affect the oil pressure. The light will come on briefly when you turn your key to the START and ON position. The light should stay off when the engine is running with normal oil pressure. If the light comes on while the engine is running, you have lost oil pressure and continued operation will cause severe engine damage.

If you lose engine oil pressure:

1. Pull off the road as soon as safely possible.
2. Shut off the engine immediately or severe engine damage could result.
3. Check the engine's oil level, following the instructions on checking and adding engine oil, see *Engine Oil* in the Index. If you do not follow these instructions, you or others could be injured. To assure an accurate reading, your car should be on level ground.

-
4. If the level is low, add only as much oil as necessary before you start the engine again. Do not overfill. Do not operate the engine if the light is on, regardless of the oil level. Contact your nearest dealer for further service actions.

For more information about adding oil, see *Adding engine oil* in the *Maintenance and Care* chapter.

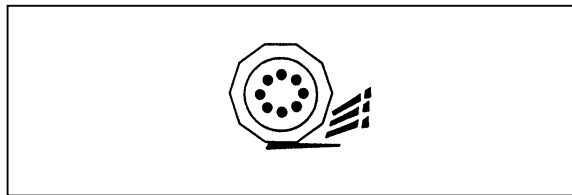


Traction Control® Active Light (If equipped)

This light comes on when the Traction Control® system begins applying and releasing the brakes and adjusting the engine characteristics to limit a wheelspin condition.

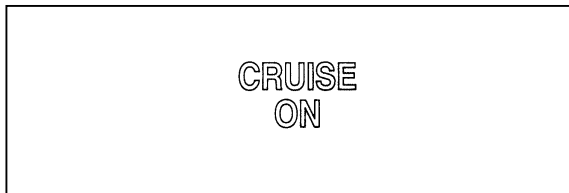
It will be lit for a minimum of six seconds or for the duration of the Traction Control® event.

For more information about *Traction Control* refer to the *Driving* chapter.



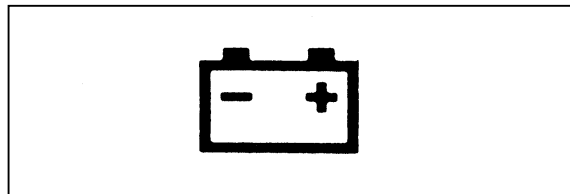
Cruise Control Indicator Light

This light comes on when the speed control system is actively maintaining the set speed. It will go off when the brakes are used or if the speed control is turned off.



Charging System Light

This light indicates that your battery is not being charged and that you need to have the electrical system checked.



This light illuminates every time you turn the ignition to the ON or START position (engine off). The light should go off when the engine starts and the alternator begins to charge.

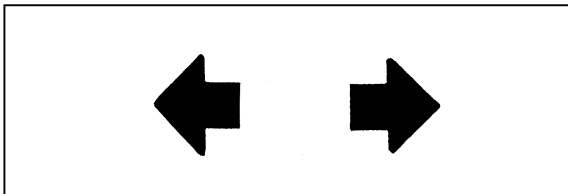
If the light stays on or illuminates when the engine is running, have the electrical system checked as soon as possible.

Turn Signal Indicator Lights

When you push the turn signal lever up before making a right turn, the right side arrow on the instrument panel flashes.

When you push the turn signal lever down before making a left turn, the left side arrow on the instrument panel flashes.

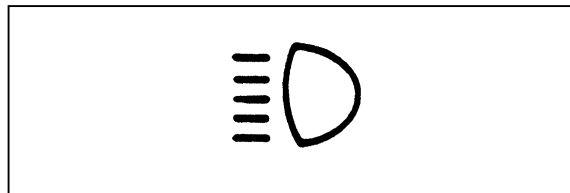
Usually, the turn signals turn off automatically after you turn your vehicle. If the turn signal continues to flash after you have made the turn, push the lever back to the OFF position.



If one or both of your turn indicators do not flash or stay on continuously, have them serviced as soon as possible. In the meantime, be sure to use the accepted hand signals.

High Beam Light

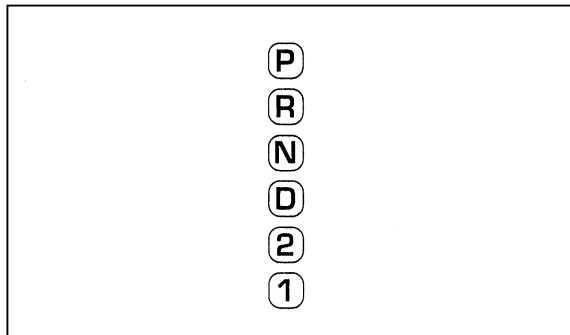
This light illuminates when the headlamps are turned to high beam or when you flash the lights.



Chime for Headlamps On

This chime sounds if the driver or any passenger door is open when the parking lamps or headlamps are on. The chime sounds until you close the door, turn off the lamps or turn the ignition to the ON position.

Redundant Electronic Gearshift Indicator



The redundant electronic gearshift indicator

The instrument cluster is equipped with a redundant set of gearshift indicator lights located in the center of the cluster between the speedometer and the tachometer gauges.

These lights operate with the key in the ON position only and displays the same gear selection as the lights located on the floor console next to the gearshift lever.

The light that is illuminated indicates which position the transmission gearshifter is in.

NOTE: If the shifter is moved very quickly (less than one second) over more than one gear selection (for example from P [PARK] to D [DRIVE]), the lights in between these positions may not get a chance to turn on. Only the last selected gear indicator will light up.

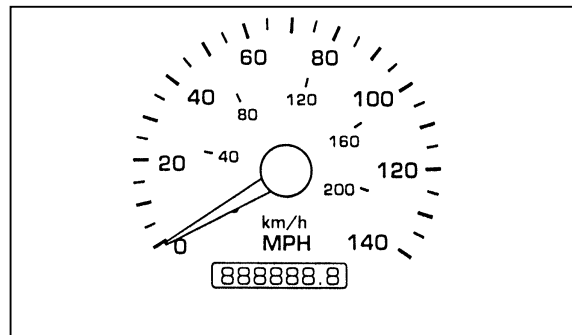
The Instrument Cluster

In addition to warning lights, the instrument cluster has an electronic odometer, a speedometer, tachometer, fuel and coolant temperature gauges.

Odometer

The odometer tells you the total number of miles (kilometers) your vehicle has been driven.

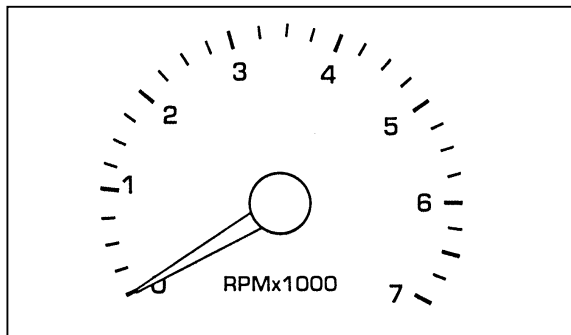
Speedometer



The speedometer

The speedometer tells you how many miles (kilometers) per hour your vehicle is moving.

Tachometer



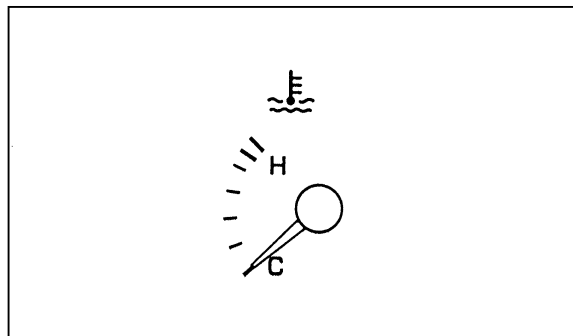
The tachometer

The tachometer displays the approximate engine revolutions per minute (rpm), or how fast the engine is running.

You can drive your vehicle at most rpm points on the tachometer but you must stay out of the red zone.

Engine Coolant Temperature Gauge

This gauge indicates the temperature of the engine coolant, not the coolant level. If the coolant is not at its proper level or mixture, the gauge indication will not be accurate.



The engine coolant temperature gauge

The pointer moves from the C (cold) mark into the NORMAL band as the engine coolant warms up. It is acceptable for the pointer to fluctuate within the NORMAL band under normal driving conditions. Under certain driving conditions such as, heavy stop and go traffic, or driving up hills in hot weather, the pointer may indicate at the top of the NORMAL band.

If, under any circumstances, the pointer moves above the NORMAL band, the engine is overheating and continued operation may cause engine damage.

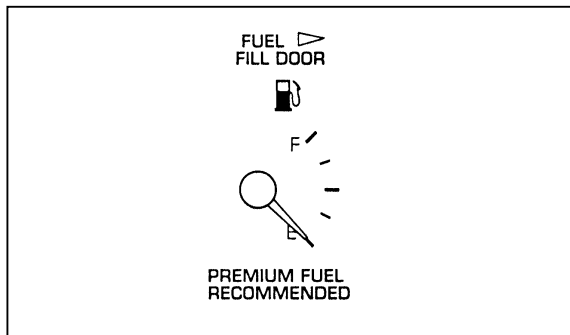
If your engine overheats:

1. Pull off the road as soon as it is safely possible.
2. Turn off the engine.

3. Let the engine cool. **DO NOT REMOVE COOLANT SYSTEM FILL CAP UNTIL THE ENGINE IS COOL.**
4. Check the coolant level following the instructions on checking and adding coolant to your engine, see *Engine Coolant* in the Index. If you do not follow these instructions, you or others could be injured.

If the coolant continues to overheat, have the coolant system serviced as soon as possible.

Fuel Gauge



The fuel gauge displays approximately how much fuel you have in the fuel tank.

For a proper fuel gauge indication after adding fuel, the ignition switch should be in the OFF position while the vehicle is being refueled.

The fuel gauge indicator may vary slightly while the vehicle is in motion. This is the result of fuel movement within the tank. An accurate reading may be obtained with the vehicle on smooth, level ground.

The Electronic Message Center

The Electronic Message Center (M/C) display, located in the center of the instrument panel, works only when your ignition is in the ON or ACC position. Each time that M/C is powered, the display goes through a self-test by displaying the time and a blank message for two seconds. This self-test is used to stabilize the systems before reporting the status of the systems to you.

The M/C tells you about the condition of your vehicle by three methods:

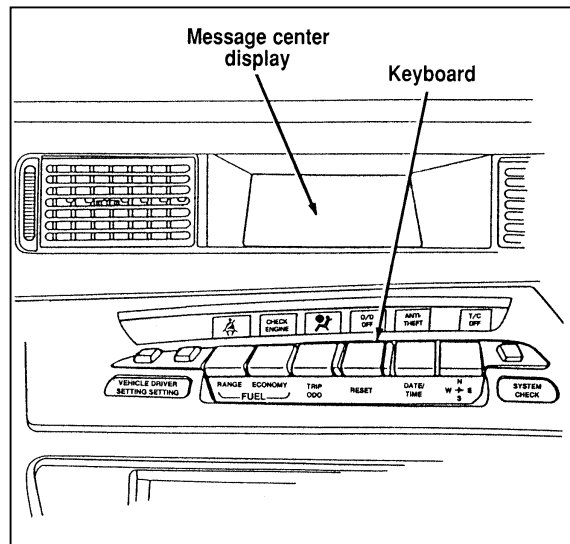
- Operator selectable features
- Vehicle system status displays

- ❑ Continuous warning reporting of monitored systems

You can select different features for the M/C to display by using the keyboard directly below the M/C display. You will hear a tone when you press one of these controls. However, if the M/C detects a warning from any of the monitored systems then the M/C will display the appropriate warning message.

Operator Selectable Features

These features are controlled by the controls in the keyboard below the M/C display. The following pages describe the operation of the individual controls.



The Electronic Message Center

Vehicle Settings Menu

A press of the VEHICLE SETTINGS control causes the Message Center to display the menu features which affect the vehicle regardless of which driver personality profile is currently selected. Repeated pressing of the VEHICLE SETTINGS control allows quick cycling through the menu features. The displayed feature can be toggled on or off, or reset by pressing the RESET control as specifically noted below. If a vehicle setting is changed, the display stops automatically cycling through the menu options and exits the vehicle settings menu, unless the VEHICLE SETTINGS control is pressed again.

- TRACTION CONTROL** — This system helps prevent wheel spin to improve tire traction. The reset button will toggle this feature on or off. This feature defaults to the ON state after each key cycle. Note: The Traction Control System is an optional feature, and this menu option will not appear in vehicles without this option.
- ENGLISH/METRIC** — This menu option allows the Message Center and Automatic Temperature Control readings to be displayed in English or Metric units. The modes can be toggled by using the RESET control.
- AUTOLAMP DELAY STATUS** — This option displays the current autolamp delay setting. Note: To change the delay setting you must rotate the HEADLAMP CONTROL.

Oil Change Reset — This option allows you to reset the oil monitoring system to 100% (or your Personalized Oil Reset Percentage) after each oil change. The RESET control must be pressed and held for 5 seconds while the display counts down to trigger an oil change reset. After a successful reset the Message Center will display “OIL LIFE RESET TO 100%.” If you have established a Personalized Oil Reset Percentage, the display will show that percentage instead of 100%. To ensure accurate oil life indicators, perform this reset procedure only after an oil change. For more information on Personalized Oil Reset Percentage see the section below.

Wiper/Headlamp On — When this feature is enabled, the headlamps will automatically switch on when the driver has the windshield wipers in the intermittent, low or high speed settings. This feature is toggled off and on with the RESET control.

Personal Oil Life Percentage:

Your Personalized Oil Reset Percentage allows you to establish a smaller oil change interval than the manufacturer’s recommended interval. To establish your Personalized Oil Reset Percentage perform the following procedure:

1. Press and hold the reset control from the VEHICLE SETTINGS menu OIL CHANGE RESET screen.
2. While holding the reset control as display counts down the seconds to reset press the VEHICLE SETTINGS control. The display will change to “START OIL LIFE AT XXX%” where XXX is the currently selected Personalized Oil Reset Percentage. Release both controls.
3. Press the RESET control until the displayed percentage is the Personalized Oil Reset Percentage that you desire. Your choices are 100%, 90%, 80%, 70%, 60%, 50%, 40% and 30%.

-
4. Press the VEHICLE SETTINGS control to complete the procedure. A press of any control besides RESET or VEHICLE SETTINGS will abort the procedure and will not establish a new Personalized Oil Reset Percentage.

When your Personalized Oil Reset Percentage has been established, it will be used beginning with the completion of your next OIL CHANGE RESET procedure.

Driver Settings Menu

The DRIVER MENU control allows you to cycle through seven (if equipped with phone) features which you can turn on or off by using the RESET control. These options are saved for each driver personality profile.

- EXPRESS WINDOWS** — a short tap of the control will cause the driver's window to go fully down automatically.
- AUTO LOCKS** — automatically locks all doors when all doors are closed and the vehicle speed is at least 3 mph.
- HORN CHIRP** — sounds an audible "chirp" when the LOCK button on the Remote Entry Key Fob is pressed.
- EASY ENTRY** — moves the driver's seat back two inches and the steering column to the up and forward most position when the key is removed from the ignition. Moves the driver's seat and steering column to the set position when the driver returns.
- REVERSE MIRRORS** — when the vehicle is shifted to R (Reverse), the outside mirrors are tilted down for an improved view close to the vehicle for backing up.
- AUTO GLIDE** — automatically moves the seat forward when the seatback is tilted forward.

PHONE SCREEN — (if equipped with a factory phone) when a call is placed, information about the call is displayed in the message center.

Fuel Range

A press of the RANGE switch allows you to display approximately how many miles (kilometers) you can drive before you run out of fuel.

To ensure accuracy, turn the ignition OFF when you fill the fuel tank.

NOTE: RANGE is calculated using a “Running Average Fuel Economy” initialized by the factory. This value is not the same as the Average Fuel Economy Display. The Running Average Fuel Economy is based on more than 500 miles (800 km) of driving history. Also, the factory default for Running Average Fuel Economy is reinitialized if the battery is disconnected.

If the “FUEL SENSOR SHORT or OPEN” message is displayed, this means that there is a problem with the fuel indication system or if any “DATA ERROR” message is displayed you should contact your dealer for service as soon as possible.

A second press of the FUEL RANGE control allows you to display the Fuel Remaining. It will display the approximate amount of fuel in the tank in whole numbers (gallons or liters).

If your fuel tank is full or nearly full, the M/C will display “FULL FUEL TANK” message. If your fuel tank is empty or nearly empty, the M/C will display the “EMPTY FUEL TANK” message.

Fuel Economy

A press of the FUEL ECONOMY control allows you to display one of two features (Average Fuel Economy or Instantaneous Fuel Economy). The first press of the FUEL ECONOMY control will allow you to display your average fuel economy in miles/gallons or liters/100 kilometers. Your M/C computes this figure using the distance traveled and fuel used information. If you want to reset this feature, press the RESET control while the average fuel economy feature is displayed.

A second consecutive press of the FUEL ECONOMY control will allow you to display the instantaneous fuel economy, which is the fuel economy that you get at any particular moment. For example, you can see what your fuel economy is in heavy traffic or on an open highway. Your fuel economy is affected by such factors as braking, acceleration, and the type of road you are driving on.

Your vehicle must be moving for the M/C to calculate the instantaneous fuel economy. When your vehicle is not moving, instantaneous fuel economy will be displayed at 0 miles/gallon or 99 kilometers/100 liters. When you are moving, the M/C will display between 0 and 99 miles/gallon or between 1 and 99 kilometers/100 liters.

Trip ODO

A press of TRIP ODO allows you to display one of two trip odometers: Trip A or Trip B. These functions allow you to see how far you have traveled since you last reset.

Trip A and Trip B are completely independent and must be reset individually.

To reset either trip feature to zero, press the RESET control while a trip distance feature (Trip A or Trip B) is displayed.

Reset

A press of the RESET control will allow you to reset the current feature being displayed. Warnings, Average Fuel Economy, Clock Set, Compass Adjustment, Vehicle Settings, and Driver Settings are the only features which respond to the RESET control. Range and Instantaneous Fuel Economy cannot be reset. That is, these features are unaffected by pushing the RESET control.

Date/Time

A press of the DATE/TIME control allows you to display and set/adjust the Day & Date, Time only, and Elapsed Time features on the Message Center.

- ❑ **Day & Date Display** — A press of the DATE/TIME control displays the Day & Date Display. From this display the Day & Date can be set/adjusted if desired. The display will give instruction to help aid with the process. If the set/adjustment procedure is started and nothing is pressed for a minute, the Message Center will exit the procedure automatically with the currently selected Day & Date.
 - To set/adjust the Day & Date, press the RESET control.
 - Press DATE/TIME repeatedly to select the correct day of the week.
 - Then press RESET to proceed to the month adjustment display.

-
- Press DATE/TIME repeatedly to select the correct month of the year.
 - Then press RESET to proceed to the date adjustment display.
 - Press DATE/TIME repeatedly to select the correct day of the month.
 - Then press RESET to complete the set/adjustment procedure.

Time Only Display — A second press of the DATE/TIME control displays the Time Only Display. From this display Time of Day can be set/adjusted if desired. The display will give instruction to help aid with the process. If the set/adjustment procedure is started and nothing is pressed for a minute, the Message Center will exit the procedure automatically with the currently selected Time.

- To set/adjust the hour, press the RESET control.

- Press DATE/TIME repeatedly to select the correct hour. (Note: A = AM/P = PM)
- Then press RESET to proceed to the minute adjustment display.
- Press DATE/TIME repeatedly to select the correct minute.
- Then press RESET to complete the set/adjustment procedure.

Elapsed Time Display — A third press of the DATE/TIME control displays the Elapsed Time Display. This feature allows the operator to monitor elapsed time if desired. The Elapsed Time continues to run regardless if the vehicle ignition is ON or OFF.

- To STOP the Elapsed Time count while it is running without resetting the counter, briefly press the reset control for less than 2 seconds.

-
- To START the Elapsed Time count when it is stopped without resetting the counter, briefly press the reset control for less than 2 seconds.
 - To reset the elapsed time counter, hold the reset control down until the count reads 00:00:00 (about 2 seconds).

Compass

Pressing the COMPASS control will display one of the following eight compass displays: North, Northeast, East, Southeast, South, Southwest, West and Northwest.

For additional information on the compass operation and for instructions to adjust the compass, see *Electronic Compass* in this chapter.

System Check

A press of the SYSTEM CHECK control causes the M/C to cycle through a status of each of the systems being monitored. For each of the monitored

systems, the M/C will indicate either an OK message or a warning message for two seconds. The sequence of the system check report is as follows:

- Engine Oil Life Status
- Engine Oil Life Left
- Engine Oil Level
- Voltage Level
- Engine Coolant Temperature
- Engine Coolant Level
- Washer Fluid Level
- Doors Closed (Driver and Rightside)
- Trunk Closed
- Exterior Lamps (Head, Front Turn, Brake and Tail)
- Air Ride System

Traction Control (If equipped)

Fuel Level

At normal conclusion of the system check sequence, the M/C will display the last displayed feature before pressing the SYSTEM CHECK control or the warnings that are active.

For two of the systems reported in the system check (Engine Oil Life Left and Fuel Level), there are two messages to describe the status of the system. For Engine Oil Life Left, the first message will indicate the oil change status (OK, SOON, REQUIRED) and the second message will indicate the oil life remaining as a percentage. If the second message is "OIL TEMP SENSOR OPEN or SHORT", this means that there is a problem with the oil temperature sensor system and you should contact your dealer for service as soon as possible. For Fuel Level, the first message will indicate the fuel level status (OK or LOW) and the second message will indicate the range (distance to empty).

Message center operation during system check

The M/C controls will operate as follows during the System Check sequence:

1. A press of the SYSTEM CHECK control will advance the cycle to the next system message without waiting the two seconds.
2. A press of the RESET control anytime during this sequence will cause the SYSTEM CHECK cycle to conclude immediately and the last displayed feature before pressing SYSTEM CHECK will be displayed.
3. A press of the FUEL RANGE, FUEL ECONOMY, TRIP ODO, DRIVER SETTINGS, VEHICLE SETTINGS, DATE/TIME, or COMPASS control will conclude the SYSTEM CHECK cycle and the requested feature will be displayed.

Vehicle System Status Displays

These messages are displayed on the Message Center when the operator uses one of the vehicle systems below, or the operation of a vehicle system occurs.

- PHONE SCREEN** — This display will show the status of the cellular phone usage (if the vehicle is equipped with the factory installed cellular phone). This display will automatically appear on the message center during usage of the cellular phone, unless a warning is being displayed or the phone screen feature is turned off in the DRIVER SETTINGS MENU. To return to an Operator Selectable Feature display during a phone call, press the corresponding button (i.e., FUEL STATUS, FUEL ECONOMY, etc.). This will disable the PHONE SCREEN temporarily till the next phone event occurs.
- AUTO LAMP DELAY STATUS SCREEN** — This display will automatically appear on the message center during adjustment of the autolamp delay time when the headlamp switch is adjusted, unless a warning is being displayed. This display indicates the amount of time the lights will stay on after the ignition is turned off if the autolamps are turned on.
- PERSONALITY EVENT SCREEN** — These displays will automatically appear on the message center when a vehicle system is adjusted, and saved to the driver's personality profile (i.e., seat position is adjusted, etc.) or when a new driver personality profile is selected, or the personality feature is turned off. These messages will not appear if a warning is displayed on the Message Center.

System Warnings

System warnings alert you to possible problems or malfunctions in your vehicle's operating systems. There are 23 warning messages which can be displayed by the Message Center to show the status of the monitored systems. When a warning occurs, the warning message is displayed and a tone sounds. The warning message will appear at a brighter level if the instrument panel is dimmed.

In the event of a multiple warning situation, the M/C will cycle the display to show all warnings by displaying each warning message for 4 seconds.

Using the message center while a warning is active

If you want to display the operator selectable features of the M/C while a warning is displayed, the warning message may be removed from the M/C display by pressing the RESET control. The M/C will display the last selected feature if there

are not more warning messages. This allows you to use the full functionality of the M/C after you acknowledge the warning by pressing the RESET control and clearing the warning message. The DOOR AJAR warning cannot be reset.

Warning messages which have been reset are divided into two categories. They will reappear on the display in 10 minutes from the reset or they will not reappear until an ignition key OFF-ON cycle. This reappearing of warning messages is a reminder that these warning conditions still exist within the vehicle. Warnings may be repeatedly reset. All warning messages will reappear after an entire SYSTEM CHECK sequence has been completed.

The following is a list of warning messages and their associated reset category:

| Warning Message | Reset Category |
|---|---|
| <ul style="list-style-type: none">• Driver's door ajar• Right door ajar | Warning cannot be reset |
| <ul style="list-style-type: none">• Check engine temp• Low oil level• Check charging system• Low fuel level• Low engine coolant• Engine temp data err• Check transmission• Transmission overheat | Warning returns after 10 minutes |
| <ul style="list-style-type: none">• Check brake lamps• Check headlamps• Check taillamps• Check front turn lamps• Low washer fluid• Trunk ajar• Check traction control• Traction control disabled• Air ride switch off• Check air ride system• Oil change required• Change oil soon• Gear display data err | Warning returns after ignition key is turned from OFF to ON, or system check sequence completed |

DRIVER'S DOOR AJAR — This warning message is displayed when the driver's door is not completely closed and the ignition switch is either ON or in ACC mode.

RIGHT DOOR AJAR — This warning message is displayed when the right (passenger side) door is not completely closed and the ignition switch is either ON or in ACC mode.

CHECK ENGINE TEMP — This warning message is displayed when the engine coolant is overheating. Stop the vehicle as soon as safely possible, turn off the engine and let it cool. Check the coolant and level, and add coolant as required following the instructions in the *Maintenance and Care* chapter. If you do not follow these instructions, you or others could be injured. If this warning stays on or continues to come on, contact your dealer for service as soon as safely possible.

LOW OIL LEVEL — This warning message is displayed when your engine oil level is low. If this warning message is displayed, check the level of the engine oil.

To check your oil:

1. Park your vehicle on level ground, turn off the engine and wait at least 5 minutes for the oil to drain back into the oil pan.
2. Use the dipstick to check the oil. If the level is low, add oil, but do not overfill.

If you are parked on a steep incline, the LOW OIL LEVEL warning may come on when you start your vehicle, even though the oil is at the correct level. The oil level is monitored while the engine is off, so that the oil can drain into the oil pan to be measured. Some after-market devices such as remote starters, if improperly installed, can cause

the engine to start without alerting the oil monitoring system. This may also cause the LOW OIL LEVEL warning to come on when you start your vehicle, even though the oil is at the correct level.

For further information about adding oil, see *Engine oil* in the index.

CHECK CHARGING SYSTEM — This warning message is displayed when the electrical system is not maintaining a proper voltage. If you are running electrical accessories when the engine is idling at a low speed, turn off as many of the electrical loads as soon as safely possible. If this warning stays on or comes on when the engine is operating at normal speeds, have the electrical system checked as soon as safely possible.

LOW FUEL LEVEL — This warning message is displayed when you have approximately 50 miles (80 km) or less left before you run out of fuel.

LOW ENGINE COOLANT — This warning message is displayed when the engine coolant level is low. Stop the vehicle as soon as safely possible, turn off the engine and let it cool. Check the coolant and level, and add coolant as required following the instructions in the *Maintenance and Care* chapter. If you do not follow these instructions, you or others could be injured.

ENGINE TEMP DATA ERR — This warning message is displayed when the engine coolant temperature information is missing or invalid. Check the instrument cluster temperature gauge to assure the engine is not overheating. If it is, stop the vehicle as soon as safely possible, turn off the engine and let it cool. Check the coolant and level following the instructions in the *Maintenance and Care* chapter. If you do not follow these instructions, you or others could be injured. Contact your dealer for service as soon as safely possible to correct the engine temperature data error.

CHECK TRANS-MISSION — This warning message is displayed when the transmission is not operating properly. If this warning stays on or comes on, contact your dealer for transmission service as soon as safely possible.

TRANS-MISSION OVERHEAT — This warning message is displayed when the transmission is overheating. This warning may appear when towing heavy loads, or driving in a low gear at high speed for an extended period of time. Stop the vehicle as soon as safely possible, turn off the engine and let it cool. Check the transmission fluid and level following the instructions in the *Maintenance and Care* chapter. If this warning stays on or continues to come on, contact your dealer for transmission service as soon as safely possible.

CHECK BRAKE LAMPS — This warning message is displayed when you turn on the brake lamps and at least one of them is burned out. Check the lamps as soon as safely possible, and have the burned out lamp replaced following the instructions in the *Maintenance and Care* chapter. Note the center high mounted stop lamp is not monitored.

CHECK HEADLAMPS — This warning message is displayed when you turn on the headlamps and at least one of them is burned out. Check the lamps as soon as safely possible, and have the burned out lamp replaced following the instructions in the *Maintenance and Care* chapter. Note the high beam lamps are not monitored.

CHECK TAIL LAMPS — This warning message is displayed when you turn on the tail lamps and at least one of them is burned out. Check the lamps as soon as safely possible, and have the burned out lamp replaced following the instructions in the *Maintenance and Care* chapter.

CHECK FRT TURN LAMPS — This warning message is displayed when you turn on the front turn lamps and at least one of them is burned out. Check the lamps as soon as safely possible, and have the burned out lamp replaced following the instructions in the *Maintenance and Care* chapter.

LOW WASHER FLUID — This warning message is displayed when there is less than one quarter of the container of washer fluid remaining. Check the washer fluid level, and refill the reservoir following the instructions in the *Maintenance and Care* chapter.

TRUNK AJAR — This warning message is displayed when the trunk is not completely closed and the ignition switch is either ON or ACC.

CHECK TRACTION CONTROL — This warning message is displayed when the Traction Control system is not operating properly. If this warning stays on or comes on, contact your dealer for service as soon as safely possible. For further information refer to the *Traction Control* section in the *Driving* chapter.

TRACTION CONTROL DISABLED — This warning message is displayed when the Traction Control system is temporarily disabled due to an overheating condition. This may occur in normal operation due to a prolonged series of high speed traction control or braking events. This warning is removed when the traction control system has cooled down sufficiently to resume normal operation. If this warning stays on, contact your dealer for service as soon as safely possible. For further information refer to the *Traction Control* section in the *Driving* chapter.

AIR RIDE SWITCH OFF — This warning message is displayed when the AIR SUSPENSION SERVICE SWITCH is in the OFF position. The air suspension service switch is located in the vehicle trunk in the jack stowage area on the left side. For more information refer to the *Air Suspension* section in the *Driving* chapter.

CHECK AIR RIDE SYSTEM — This warning message is displayed when the Air Suspension System is not operating properly. If this warning message is displayed while driving, pull off the road as soon as safely possible. If the vehicle is loaded beyond the recommended maximum payload, the “CHECK AIR RIDE SYSTEM” message may be displayed. This is a normal condition if the vehicle is overloaded. To correct this condition, remove or redistribute the payload per the recommended maximum requirements. Turn the ignition switch from ON to OFF to ON again. If the warning message reappears, turn the Air Suspension Service Switch (located in the vehicle trunk in the jack

stowage area on the left side) OFF and contact your dealer for service as soon as safely possible. For further information refer to the *Air Suspension* section in the *Driving* chapter.

CHANGE OIL SOON/OIL CHANGE

REQUIRED — This warning message is displayed when the engine oil life remaining is 5% or less. When Oil Life Left is between 5% and 0%, the “CHANGE OIL SOON” message will be displayed. When Oil Life Left reaches 0%, the “OIL CHANGE REQUIRED” message will be displayed.

An oil change is required whenever indicated by the Message Center. USE ONLY RECOMMENDED ENGINE OILS (see *Engine Oil* in the Index).

The Message Center will tell you the percent of oil left during System Check. This percentage is based on your driving history and the time since your last oil change. In order to ensure accurate oil life left indications, you should only perform the following OIL CHANGE RESET Procedure after you have the oil changed.

OIL CHANGE RESET PROCEDURE — This procedure allows you to reset the oil monitoring system to 100% (or your Personalized Oil Reset Percentage) after each oil change.

1. Press the VEHICLE SETTINGS control until the “OIL CHANGE RESET” display appears.
2. Then press the RESET switch and hold it for 5 seconds while the display counts down to trigger an oil change reset.
3. After a successful reset the Message Center will display “OIL LIFE RESET TO 100%”. If you have established a Personalized Oil Reset Percentage, the display will show that percentage instead of 100%. To ensure accurate oil life indicators, perform this reset procedure only after an oil change. For more information on Personalized Oil Reset Percentage see the section on *Personalized Oil Reset Percentage*.

GEAR DISPLAY DATA ERR — This warning message is displayed when the data used to provide the redundant gear selection display on the Instrument Cluster is missing or invalid. In this case, the Instrument cluster redundant gear selection display is turned off. The driver should use the mechanical position indication on the center console gear selector as temporary indication. If this warning stays on, contact your dealer for service as soon as safely possible.

Function/Status Error Messages

For some functions displayed by the Message Center, there will be error messages displayed, instead of the requested information, if that information is not currently available because of improper operation of sensor systems, or the vehicle network communication between electronic modules. In this case instead of displaying a warning message which takes control of the display, a function/status error message will be displayed when the affected function is requested. These messages will have 2 formats:

1. Data error messages in the form "DATA ERROR" or "DATA ERR". These messages indicate improper operation of the vehicle network communication between electronics modules. If these messages occur on a regular basis contact your dealer for service as soon as safely possible.

2. Invalid sensor operation messages with the form "SENSOR OPEN" or "SENSOR SHORT". These messages indicate improper operation of vehicle sensor systems, or vehicle wiring/connectors between the sensors and Message Center. If these messages occur on a regular basis contact your dealer for service as soon as safely possible.

Electronic Compass

The electronic compass will be displayed when the COMPASS switch is pressed. The display shows the direction your car is traveling as one of the following directions: North, Northeast, East, Southeast, South, Southwest, West, or Northwest.

If a warning becomes active, the warning message will override the compass display.

Factors Affecting Compass Accuracy

Magnetic mounted devices (antennas, racks, etc.) should not be located on the front third of the vehicle roof. Placement of these devices near the compass will cause the compass to be inaccurate. If these devices are used, for improved accuracy, recalibrate the compass with the device(s) installed.

Driving near power lines or large iron or steel structures can temporarily change the compass heading. Demagnetize the vehicle and recalibrate the compass if it remains inaccurate after driving near such objects.

Compass Adjustments

Press and hold the COMPASS control, then press the RESET control. Next, release both controls. The display will show the “Compass Menu” (Figure 1).

The letters on the left side of the arrows indicate the control to press to perform the adjustment indicated on the right side of the arrows, as shown in Figure 1.

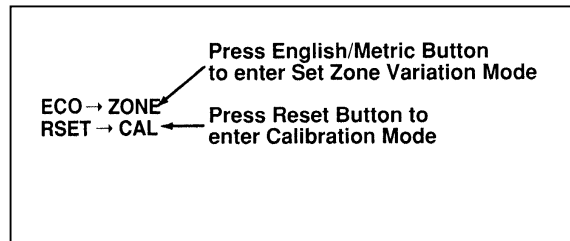


Figure 1 — Compass Menu Mode

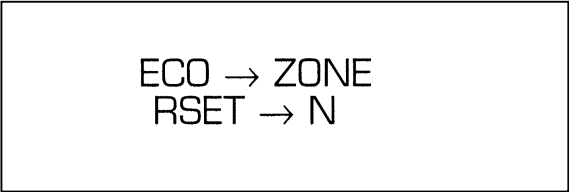
To abort this “compass menu” or any compass variation adjustment menu, press any control other than RESET or FUEL ECONOMY.

Variation Adjustment

The variation adjustment is only needed if you travel outside your current zone (see Fig. 2). The following describes the method available for setting the variation adjustment:

Set zone variation adjustment

1. Press and hold the COMPASS control, press the RESET control. Next, release both controls. The display will show:



ECO → ZONE
RSET → N

2. Press the ENGLISH/METRIC control to enter the Set Zone mode. The display will now show:



RESET TO
SET ZONE
##

NOTE: The display shows “##” (where ## is a number from 1-15) when called up, which is the zone stored internally in the compass computer.

3. Determine which zone of the country you are in by referring to the zone map shown in Figure 2.

4. Press the RESET control until the number shown in the display is the correct number for the zone you are in. When the zone number reaches 15, pressing the RESET control will set the zone number to 1.
5. Press the COMPASS control to complete the zone setting. (To exit this mode without setting a zone, press any control other than RESET and COMPASS). The M/C may now display:

SETTING
COMPASS

for a few seconds, and then it will return to the normal compass heading mode. The zone setting procedure is now complete.

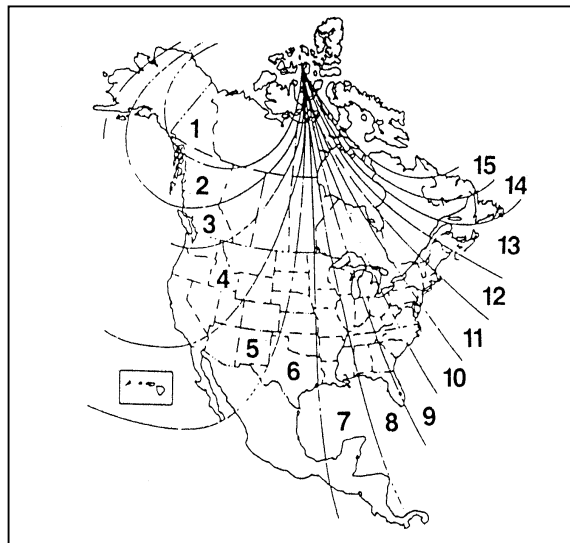


Figure 2 — Zone map

Calibration Procedure

1. Find an open, level area free from steel structures and high voltage lines. An empty, level parking lot is recommended.
2. Press and hold the COMPASS control, then press the RESET control. Next, release both controls. The display will show:

ECO → ZONE
RSET → N

3. Press the RESET control to enter the Calibration mode. The display will show:

CIRCLE
SLOWLY
TO CAL

4. Slowly drive the vehicle at less than 3 mph/5 km/h in a circle, taking at least 20 seconds to complete one circle, until the display shows a direction instead of the "CIRCLE SLOWLY TO CAL" message. This should occur within 3 circles.
5. The compass is now calibrated.

Troubleshooting

If the display shows the following message during any of the compass adjustment procedures, contact your dealer:



CHECK
COMPASS
SYSTEM

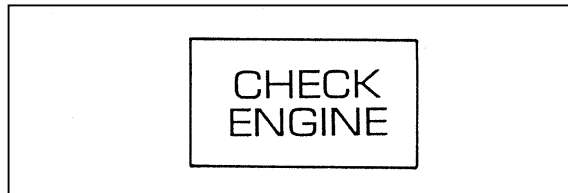
If the compass always displays one direction while turning a full 360-degree circle, perform the Calibration Procedure.

A system of warning lights are located below the Message Center. Warning lights are used to monitor the operation of your vehicle.

Safety Belt Warning Light and Chime

This warning light and chime remind you to fasten your safety belt. The following conditions will take place:

- If the driver's safety belt is not buckled when the ignition is turned to the ON position, the light will turn on for 1 to 2 minutes and the chime will sound for 4 to 8 seconds.
- If the driver's safety belt is buckled while the light is on and the chime is sounding, the light and the chime will turn off.
- If the driver's safety belt is buckled before the ignition is turned to the ON position, neither the light nor the chime will turn on.



Check Engine Warning Light

This light illuminates when the engine's Emission Control System requires service. It will also illuminate when the ignition key is in the ON position and the engine is off.

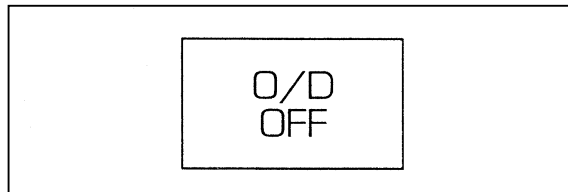
Air Bag Readiness Light

The air bag system uses a readiness light and a tone to indicate the condition of the system. The readiness light is in the instrument cluster. When you turn the ignition key to the ON position, this light will light up for six (6) seconds and then turn off. This indicates that the system is operating normally. NOTE: Regularly scheduled maintenance of the air bag system is not required.



If the light fails to illuminate, continues to flash, remains on, or you hear a beeping sound, have the system serviced at your Ford or Lincoln-Mercury dealer immediately.

Overdrive Off Indicator



This light tells you that the Transmission Control Switch on the gearshift lever has been pushed. When the light is on, the transmission will not shift into overdrive. Depressing the button on the shifter will return the vehicle to “overdrive on” mode. The transmission will be in the “overdrive on” mode when the vehicle is started even if the O/D OFF mode was selected when the vehicle was last shut off.

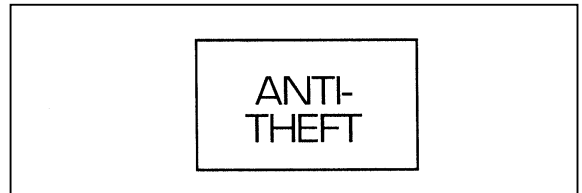
If the light does not come ON when the TCS is depressed or if the light FLASHES when you are driving, have your vehicle serviced at the first opportunity. If this condition persists, damage could occur to the transmission.

Anti-Theft Alarm Light

This light is used when you set the anti-theft alarm system. See the *Controls and Features* chapter later in this guide for more information.

This light will also flash if the passive anti-theft system is not functioning correctly. If the light continues to flash have the system serviced at your Ford or Lincoln-Mercury dealer immediately.

NOTE: If this light flashes rapidly, the vehicle will be disabled.



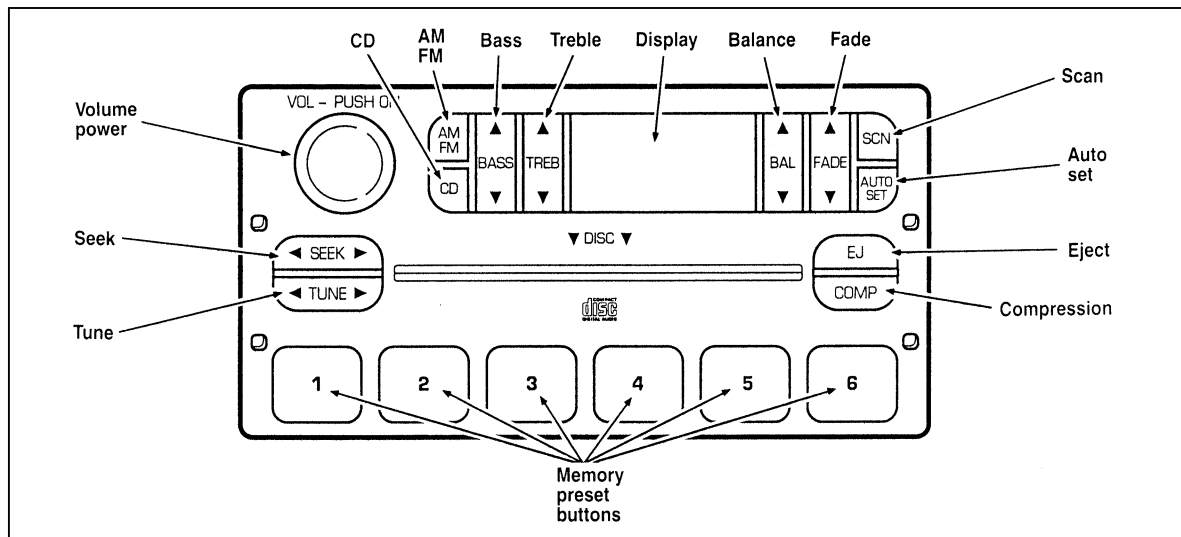
Traction Control Off Light

This light tells you that the traction control system has been turned off using the Vehicle Settings menu in the Message Center. The traction control system defaults to “ON” (light is not illuminated) whenever the vehicle is shut off and restarted.

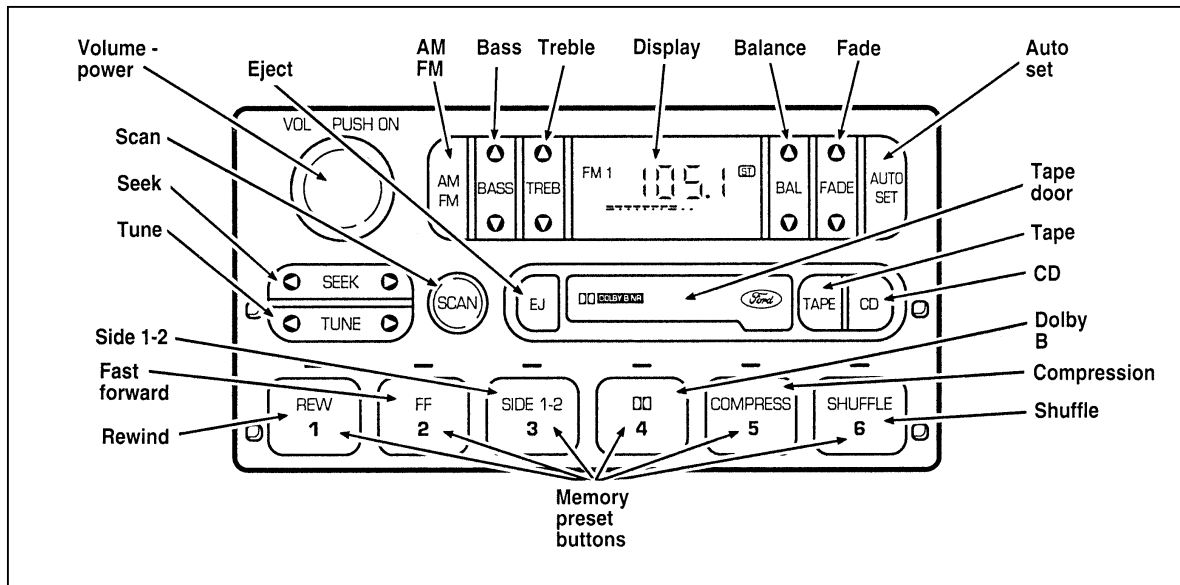
A rectangular box containing the text "T/C OFF" centered within it.

T/C
OFF

Electronic Sound Systems



Premium Stereo Cassette



Premium Stereo Cassette and Stereo Cassette with CD DJ

Premium Stereo Cassette, Stereo Cassette with CD DJ and Premium Compact Disc Radio

Your vehicle is equipped with either a premium stereo cassette radio or a premium compact disc radio. Both systems are available with a JBL® upgrade system, which includes a Ford 10-CD changer.

Individual functions of these systems follow:

Using the Controls on Your New Radio

How to turn the radio on and off

Press the “VOL/PUSH” knob to turn the radio on. Press again to turn it off.

How to adjust the volume

Turn the “VOL/PUSH” knob to the right to increase the volume and to the left to decrease the volume. Bars illuminate in the display to show relative volume level.

NOTE: If the volume level is set above a certain listening level when the ignition switch is turned off, when the ignition switch is turned back on, the volume will come back to a “nominal” listening level. However, if the radio power is turned off, the volume will remain in the position it was set at when radio power was switched off.

Selecting the AM or FM frequency band

Push the “AM/FM” button to select the desired frequency band or to stop/store cassette tape (when in cassette mode) or compact disc (when in CD mode). Pushing the button more than once will alternate between AM, FM1 and FM2. These functions are used with the station memory buttons described under *How to tune radio stations*.

How to tune radio stations

There are four ways for you to tune in a particular station. You can manually locate the station using the “TUNE”, “SEEK”, “SCAN” or selecting the station by using the memory buttons, which you

can set to any desired frequency. These four methods are described below.

Using the “TUNE” function

You can change the frequency up or down one increment at a time by pressing and releasing either the left ◀ or right ▶ side of the “TUNE” button. To change frequencies quickly, press and hold down either the right or left side of the button.

Manual tuning adjusts your radio to any allowable broadcast frequency, whether or not a station is present on that frequency. (See *All About Radio Frequencies* in this section.)

Using the “SEEK” function

Press the right (▶) side of the “SEEK” button to select the next listenable station up the frequency band. Press the left (◀) side of the button to select the next listenable station down the frequency band. By pressing and holding the button, listenable

stations can be passed over to reach the desired station.

Using the “SCAN” function

Pressing the “SCAN” or “SCN” button will begin the scan mode up the frequency band, stopping on each listenable station for approximately five seconds.

To stop the scan mode on the presently sampled station, press the “SCAN” or “SCN” button again.

Setting the station MEMORY PRESET buttons

Your radio is equipped with 6 station memory buttons. These buttons can be used to select up to 6 preset AM stations and 12 FM stations (6 in FM1 and 6 in FM2)

Follow the easy steps below to set these buttons to the desired frequencies:

1. Select a band, then select a frequency.
2. Press one of the memory preset buttons and hold the button until the sound returns. That station is now held in memory on that button.
3. Follow the two steps above for each station memory preset button you want to set.

Using the AUTOSET feature

With AUTOSET, you can continually set strong stations into your memory buttons without losing your originally set stations.

Press the "AUTOSET" button once. Your radio will set the first six strong stations of the band you are in (AM, FM1, or FM2) into the memory buttons. The display will show "AUTO", then run through the frequencies setting the memory buttons.

NOTE: If there are fewer than five strong stations in the frequency band, the remaining unfilled buttons will store the last strong station detected on the band.

When all stations are filled, the radio will begin playing the station stored in memory button 1.

To deactivate the Auto Memory Store mode and return to manually-set memory button stations, press the "AUTOSET" button. Display will show "AUTO" then "OFF".

Adjusting the tone balance of your radio

Increasing or decreasing bass response

Press the top ▲ of the "BASS" button to increase bass; press the bottom ▼ of the "BASS" button to decrease bass.

-
- Increasing or decreasing treble response

Press the top ▲ of the “TREBLE” button to increase treble; press the bottom ▼ of the treble button to decrease treble.

- Adjusting speaker balance

Balance control allows you to adjust the sound distribution between the right and left speakers. Press the top ▲ of the “BAL” button to shift the sound to the right speakers, and press the bottom ▼ of the “BAL” button to shift the sound to the left speakers.

- Adjusting speaker fader

Fade control allows you to adjust the sound distribution between the front and rear speakers. Press the top ▲ of the “FADE” button to shift the sound to the front speakers, and press the bottom ▼ of the “FADE” button to shift the sound to the back speakers.

NOTE: Illuminated bars in the display show relative levels of bass and treble, and positions of speaker balance and fader functions (left to right, front to rear).

Using the Controls of Your Cassette Tape Player (If Equipped)

NOTE: Radio power must be on to use the cassette tape player.

How to insert a tape

Your cassette tape player is equipped with power loading. Once you insert a tape and push slightly (with the **open edge to the right**), the loading mechanism draws the tape the rest of the way in and play will begin after a momentary tape tightening process. Display indicates “TAPE” while tape is playing.

NOTE: A cassette tape can be loaded with the ignition on whether or not the radio power is on. However, with radio power off, the cassette tape is loaded and stored.

NOTE: Noise reduction system manufactured under license from Dolby Labs Licensing Corporation. “Dolby” and double-D symbol are trademarks of Dolby Laboratories Licensing Corporation.

How to locate a desired track on the tape

There are four ways to quickly locate a desired selection on the tape. You can use the fast forward, rewind, “SEEK” or “SCAN” function. Following are brief descriptions of each.

Fast forwarding the tape

To fast forward the tape, press the “FF” button. The radio will begin playing until fast forward is manually stopped (by pushing the “TAPE” button) or the end of the tape is reached.

At the end of the tape, the direction automatically reverses and plays the other side of the tape.

Rewinding the tape

To rewind the tape, press the “REW” button. The radio will begin playing until rewind is manually stopped (by pushing the “TAPE” button) or the beginning of the tape is reached.

Using the “SEEK” function with your cassette tape player

While in the tape mode, push the right ► side of the “SEEK” button to seek forward to the next selection on the tape. Push the left ◀ side to seek the previous tape selection.

Using the “SCAN” function with your cassette tape player

Press the “SCAN” button to begin the forward scan mode on the tape currently playing, stopping on each tape selection for approximately an eight-second sampling (display indicates “SC”).

To stop the scan mode on the presently sampled tape selection, press "SCAN" a second time.

- How to change the side of the tape being played

The alternate side of the tape can be selected by pressing the "SIDE 1-2" button.

How to eject the tape

To stop the tape and eject the cassette, press the "EJ" button. The radio will resume playing if the radio power is on. The tape cartridge can be ejected with radio power (and/or ignition) on or off.

How to store the tape

Press the "AM/FM" button to stop the tape player and resume radio play.

Using the Dolby® B noise reduction feature

Push the button to activate Dolby B Noise Reduction. Press again to deactivate.

Automatic tape tightening

Your audio system cassette tape player automatically goes into momentary fast rewind (approximately 1 second) when a tape is first inserted to tighten any loose tape in the cartridge.

Tips on Caring for the Cassette Player and Tapes

In order to keep your cassette tape player performing the way it was meant to, read and follow these simple precautions:

- Using a Ford or equivalent cassette cleaning cartridge to clean the tape player head after 10-12 hours of play will help maintain the best playback sound and proper tape operation.
- Only cassettes that are 90 minutes long or less should be used. Tapes longer than 90 minutes are thinner and subject to breakage or may jam the tape player mechanism.

-
- Protect cassettes from exposure to direct sunlight, high humidity and extreme heat or cold. If they are exposed to extreme conditions, allow them to reach a moderate temperature before playing.
 - If a tape is loose inside the cassette, tighten it before playing by putting your finger or a pencil into one of the holes and turning the hub until the tape is tight.
 - Loose labels on cassette tapes can become lodged in the mechanism. Remove any loose label material before inserting cassette.
 - Do not leave a tape in the cassette tape player. High heat in the vehicle can cause the cassette to warp.

Using the Controls of Your Compact Disc Player (If equipped)

NOTE: Radio power must be on to use the CD player.

How to insert a CD

Your CD player is equipped with power loading. Once you insert a CD and push slightly, the loading mechanism draws the CD the rest of the way in and play will begin after a momentary pause. Display indicates “TR-__” (track number) while CD is playing.

NOTE: A CD can be loaded with the ignition on whether or not the radio power is on. However, with radio power off, the CD is loaded and stored.

Operating the “SCAN” function

Press the “SCN” button to enter the scan mode. The CD player will begin scanning the disc, stopping on each listenable track for approximately an eight second sampling. This continues until you press the “SCN” button a second time.

How to stop CD play

While in the CD mode, press the “AM/FM” button to stop CD play and resume radio play.

How to take care of and clean the CD player and discs

To ensure the continued performance of your CD player, carefully read the following precautions:

- Always handle a disc by the edge. Never touch the playing surface.
- Before playing, inspect all discs for any contamination. If needed, clean discs with an approved disc cleaner, such as the Discwasher® Compact Disc Cleaner or the Allsop 3® Compact Disc Cleaner, by wiping from the center out to the edges. Do not use a circular motion to clean.
- Do not clean discs with solvents such as benzine, thinner, commercially available cleaners or antistatic spray intended for analog records.
- Do not expose the discs to direct sunlight or heat sources for an extended period of time.

- Do not insert more than one disc into each disc slot of the disc magazine. Doing so may damage the discs, disc magazine or the disc changer.
- Do not insert anything other than discs into the disc magazine.

| |
|---|
| WARNING |
| The laser beam used in the compact disc player is harmful to the eyes. Do not attempt to disassemble the case. |

CD Error Messages

Your system is equipped to diagnose certain problems you may experience. The error codes are:

— **NO CD** — Empty slot or magazine, mechanical error, Disc(s) unreadable, Focus error, or thermal shut down (too hot).

— **CD HOT** — Mechanism over 167° Fahrenheit, allow to cool before playing.

-
- **CD-ER 0001** — Disc upside down or unreadable.
 - **CD-ER INIT** — Mechanism disconnected or malfunctioning.
 - **CD-ER 0002** — Eject error.
 - **CD-ER 0100** — Computer CD loaded.
 - **CD-ER ____ (other codes)** — Mechanism malfunctions.

Ford 10-CD Changer (If equipped)

Introduction

The 10-CD Changer Unit is mounted in the trunk (10-disc capacity) and is remotely controlled through the Premium Audio System on your instrument panel.

Be sure to read all of the information provided on the following pages to get the most out of this system.

Loading Instructions

1. Open Compact Disc Changer unit by sliding door to the right (Figure 1).

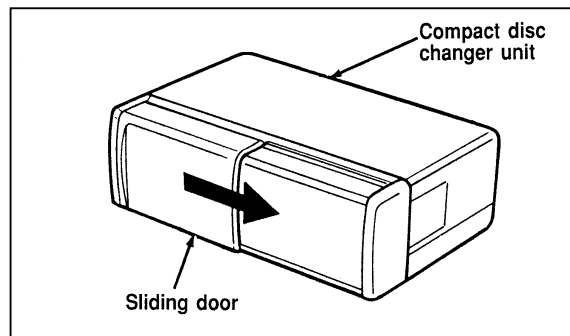


Figure 1

2. Push EJECT button to eject the disc “magazine” (which holds 10 discs) (Figure 2).

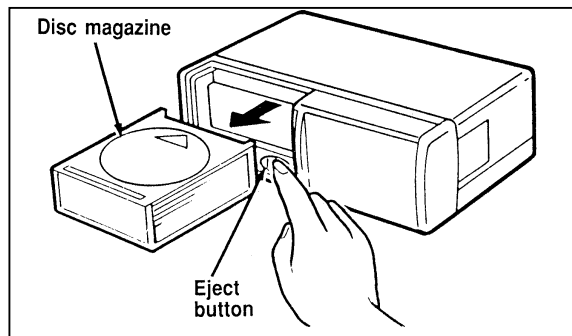


Figure 2

3. Load discs into disc magazine slots (numbered 1 through 10) one at a time with labeled surfaces upward, starting with bottom slot number 1 (Figure 3).

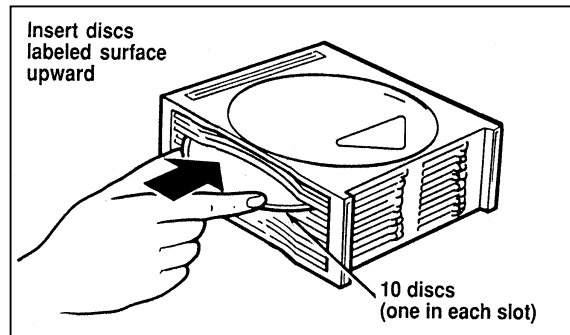


Figure 3

4. Insert loaded disc magazine into chamber unit with the arrow on top of the disc magazine pointing toward the changer (Figure 4). Make sure magazine is fully inserted into changer.

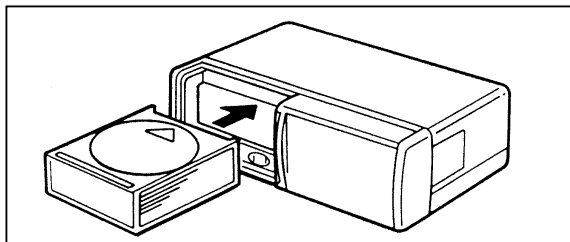


Figure 4

NOTE: To remove one or more compact disc(s) from the disc magazine, push the corresponding lever(s) (numbered 1 to 10 on the side of the disc magazine) to the left. Disc(s) will partially come out for easy removal.

5. Close unit by sliding changer panel door to the left.

The Compact Disc Changer unit is now ready to play using the controls of your Premium Audio System.

How to Operate the Ford 10-CD Changer Using the Controls on the Radio

If your vehicle is equipped with the Ford 10-CD Changer System, you operate it through the controls of your Premium Audio System.

Several of the controls on the radio operate in the same manner in CD mode as they do in radio or cassette mode: turning the power on, volume control and adjusting the bass, treble, speaker balance or fade.

How to begin CD Changer play

NOTE: Radio power must be on to operate the Compact Disc Changer.

Push the “CD” button to begin CD play. The CD Changer will automatically begin playing the first track (selection) of the first disc loaded in the unit. The display will indicate “CD-##” for disc number then display “TR-##” for track number, then “DD-TT” for disc number and track number.

If the CD Changer is empty, “NO CD” will flash in the display and radio play will continue.

If your vehicle is not equipped with the Ford 10-CD system and the “CD” button is pushed, “NO DJ” will flash and radio play will continue.

How to change the disc being played

When in the CD mode, you can change discs by pressing the right (▶) side of the “TUNE DISCS” button (to select the next disc) or the left (◀) side of the “TUNE DISCS” button (to select the previous disc). Play will begin on the first track of the selected disc.

When either side of the button is pressed and held, the CD changer will continue fast-forwarding or reversing through the discs in the disc magazine. During these functions, the display will indicate the disc number.

How to change the track being played

Press the right (▶) side of the “SEEK” button to seek forward to the next track of current disc. After the last track has been completed, the CD player automatically wraps back to the first track of the current disc.

Press the left (◀) side of the SEEK button to seek in reverse to the previous track on the current disc. If a selection has been playing for three seconds or more and you press the left (◀) side of the SEEK button, the CD Changer will replay that selection from the beginning.

Operating the CD Compression feature

The compression feature will bring soft and loud passages closer together for a more consistent listening level.

To turn the compression on, press the “COMPRESS”/#5 button. When the compression feature is activated, the display will indicate “C”.

Operating the Shuffle feature

While in the CD mode, pressing the “SHUFFLE”/#6 button will randomly select a track from the disc currently being played. The display will indicate “SHF” followed by the disc and track number (dd-tt).

The CD Changer will continue to randomly select tracks for play until the shuffle feature is turned off by pressing the “SHUFFLE” button a second time.

Operating the “SCAN” function

Press the “SCAN” button to enter the scan mode. The CD player will begin scanning the disc, stopping on each listenable track for approximately an eight second sampling. This continues until you press the “SCAN” button a second time.

Operating the Shuffle and Scan features simultaneously

Both the shuffle and scan features can be activated simultaneously. In this mode, the player will

randomly pick a selection and play the first eight seconds. This process is continued until either the “SCAN” button or “SHUFFLE” button is pressed a second time.

How to stop CD play

While in the CD mode, press the “AM/FM” button to stop CD play and resume radio play. Also, loading a cassette into the cassette deck will stop CD play and begin cassette play.

How to take care of and clean the CD Changer and discs

To ensure the continued performance of your CD Changer, carefully read the following precautions:

- Always handle a disc by the edge. Never touch the playing surface.

-
- Before playing, inspect all discs for any contamination. If needed, clean discs with an approved disc cleaner, such as the Discwasher® Compact Disc Cleaner or the Allsop 3® Compact Disc Cleaner, by wiping from the center out to the edges. Do not use a circular motion to clean.
 - Do not clean discs with solvents such as benzine, thinner, commercially available cleaners or antistatic spray intended for analog records.
 - Do not expose the discs to direct sunlight or heat sources for an extended period of time.
 - Do not insert more than one disc into each disc slot of the disc magazine. Doing so may damage the discs, disc magazine or the disc changer.
 - Do not insert anything other than discs into the disc magazine.

| |
|----------------|
| WARNING |
|----------------|

| |
|---|
| The laser beam used in the compact disc player is harmful to the eyes. Do not attempt to disassemble the case. |
|---|

CD Error Messages

Your system is equipped to diagnose certain problems you may experience. The error codes are:

— **NO CD** — Empty slot or magazine, mechanical error, Disc(s) unreadable, Focus error, or thermal shut down (too hot).

— **BAD CD** — Disc unreadable.

— **TOO HOT** — Mechanism over 167° Farenheit (75°C), allow to cool before playing.

— **NO DJ** — CD Changer not connected, not communicating, or not equipped.

Common Operating Conditions of the CD Player

The following information is designed to help you recognize typical situations that could be mistakenly interpreted as mechanical malfunctions of the disc player.

- A disc is already loaded.
- The disc is inserted with the label surface downward.
- The disc is dusty or defective.
- The player's internal temperature is above 167°F (75°C). Allow the player to cool off before operating.
- Different manufacturers of compact discs may produce discs with different dimensions or tolerances, some of which may not be within industry standards or in accordance with the CD format. Because of this, a new disc that is free of dust and scratches could be defective

and may not play on your Ford Compact Disc Player.

If play does not begin after the CD button is pushed:

- The radio is not on.
- The unit is in the stop mode.
- Moisture may have condensed on the lenses within the unit. If this occurs, remove the disc and wait approximately an hour until the moisture evaporates.

If the sound skips:

- Badly scratched discs or extremely rough roads will cause the sound to skip. Skipping will not damage the disc player or scratch the discs.

Antenna

The antenna for the audio system is integral to the rear window glass. The AM portion of the antenna uses the same pattern of lines as the grid for the rear defroster. The FM portion of the antenna uses the top three lines on the glass, which are indicated by the word "RADIO."

Common Radio Reception Conditions

Several conditions prevent FM reception from being completely clear and noise-free, such as the following:

Distance/Strength

The strength of the FM signal is directly related to the distance the signal must travel. The listenable range of an average FM signal is approximately 24 miles (40 km). Beyond this distance, the radio is operating in a "fringe" area and the signal becomes weaker. Also, "Signal Modulation" is used by some

stations to increase their "loudness" relative to other stations. The difference in loudness can be a result of signal modulation as well as signal strength.

Terrain

The terrain (hilly, mountainous, tall buildings) of the area over which the signal travels may prevent the FM signal from being noise-free.

If there is a building or large structure between the antenna and station, some of the signal "bends" around the building, but certain spots receive almost no signal. Moving out of the "shadow" of the structure will allow the station to return to normal.

When the radio waves are reflected off objects or structures, the reflected signal cancels the normal signal, causing the antenna to pick up noise and distortion. Cancellation effects are most prominent in metropolitan areas, but also can become quite severe in hilly terrain and depressed roadways.

To minimize these conditions, a stereo/mono blend circuit has been incorporated into this system. This feature automatically switches a weak stereo signal to a clearer monaural signal, which improves the quality of reception.

Several sources of static are normal conditions on AM frequencies. These can be caused by power lines, electric fences, traffic lights and thunderstorms.

Another reception phenomenon is **Strong Signal Capture and Overload**. This can occur when listening to a weak station and when passing another broadcast tower. The close station may capture the more distant station, although the displayed frequency does not change. While passing the tower, the station may switch back and forth a few times before returning to the original station.

When several broadcast towers are present (common in metropolitan areas), several stations may overload the receiver, resulting in considerable

station changing, mixing and distortion.

Automatic gain control circuitry for both AM and FM bands has been incorporated into this system to reduce strong signal capture and overload.

All About Radio Frequencies

The Federal Communications Commission (FCC) and the Canadian Radio Telecommunications Commission (CRTC) establish the frequencies that AM and FM radio stations may use for their broadcasts. The allowable frequencies are, AM: 530, 540...1600, 1610 kHz in 10 kHz steps; FM: 87.9, 88.1...107.7, 107.9 MHz in 0.2 MHz steps.

Not all frequencies will be assigned to a given area. This radio will tune to each of these frequencies using manual tune and no fine tuning is necessary as radio stations may not use other frequencies.

Some FM radio stations advertise a “rounded-off” frequency which is not the frequency they actually broadcast on. For example, a radio station that is

assigned a frequency of 98.7 MHz may call itself “Radio 99” even though 99.0 MHz is not an allowable FM broadcast frequency.

Important Warranty and Service Information

About Your Warranty

Your sound system is warranted for four years or 50,000 miles (whichever occurs first). Consult your vehicle warranty booklet for further information.

Servicing Your Audio System

At Ford, we stand behind our audio systems with a comprehensive service and repair program. If anything should go wrong with your Ford audio system, return to your dealer for service. There is a nationwide network of qualified Ford authorized repair centers to assist you.

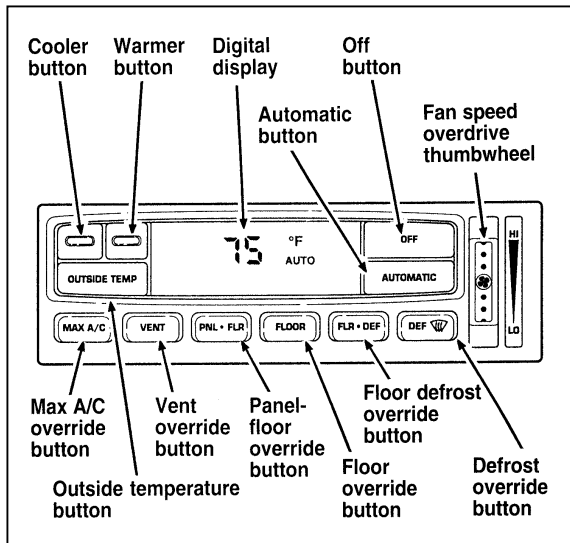
Controls and Features

The Climate Control System

Electronic Automatic Temperature Control System

The Electronic Automatic Temperature Control (EATC) module is located at the center of the instrument panel and operates only when the key is in the ON position.

The EATC feature maintains the temperature you select and automatically controls the airflow for your comfort. It also allows you to override the automatic operation with manual override buttons.



The automatic temperature control system


To turn your EATC on, push the AUTOMATIC button or any of the six override buttons along the bottom of the control.

To turn your EATC off, press the OFF button. When the system is off, the display window will be blank (dark).

If you select AUTOMATIC, the system will automatically determine fan speed and airflow location. If an override button is selected, your selection determines airflow location only. Fan speed remains automatic unless you override it by rotating the vertical thumbwheel located at the extreme right of the control panel.

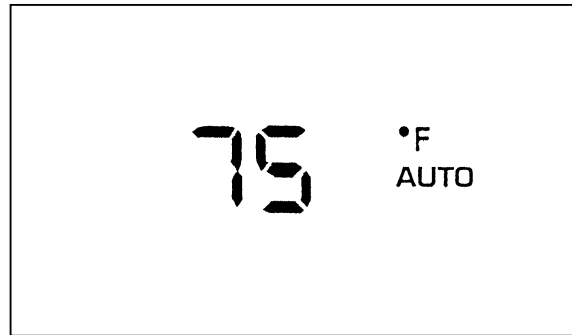
To change the temperature in the display window, select any temperature between 65°F (18°C) and 85°F (29°C) using the BLUE (cooler) or RED (warmer) buttons. The Electronic Automatic Temperature Control will do the rest.

If you want continuous maximum cooling, push the BLUE button until 60°F (16°C) is shown in the display window. Your EATC will cool at maximum and disregard the 60°F (16°C) setting until you select a warmer temperature with the RED button. If you want continuous maximum heating, push the RED button until 90°F (32°C) is shown in the display window. Your EATC will provide maximum heat regardless of the 90°F (32°C) setting until you select a cooler temperature with the BLUE button.

The display window tells you how the system is operating. It will indicate the selected temperature and the operating function you have chosen; AUTO or one of the six manual overrides. It will also indicate manual (thumbwheel) control of the fan speed with the  symbol. The display window with all possible displays and their positions are shown here. Normally not all are shown at the same time but are included here to familiarize you with the names and symbols.

Automatic operation

Push the AUTOMATIC button and select the desired temperature. The selected temperature and AUTO will be shown in the display window. The EATC will automatically heat or cool to achieve the set temperature. Under normal conditions, your EATC will need no additional attention.



The AUTO temperature display

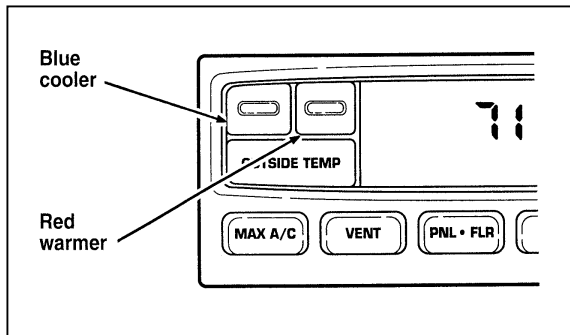
When in AUTOMATIC and weather conditions require heat, air will be sent to the floor. But, a feature is included in your EATC to prevent blowing cold air to the floor if the engine coolant is not warm enough to allow heating. In 3-1/2 minutes or less, the fan speed will start to increase and the airflow will change to the floor area.

If unusual conditions exist (i.e., window fogging, etc.), the six manual override buttons allow you to select special air discharge locations. A thumbwheel allows you to adjust the fan speed to suit your needs.

Temperature selection

The RED and BLUE buttons at the upper left of the Control are for temperature selection. The RED Button will increase the set temperature and the BLUE Button will lower the set temperature. Pressing a button and releasing it will change the set temperature one degree. Holding either button in will rapidly change the temperature setting in one degree increments to either 65°F (18°C) (BLUE) or 85°F (29°C) (RED). Then, the set temperature will jump 5° and stop at either 60°F (16°C) which is maximum cooling or 90°F (32°C) which is maximum heating. When you select 60°F (16°C) or 90°F (32°C), the fan will go to HI speed for maximum air flow.

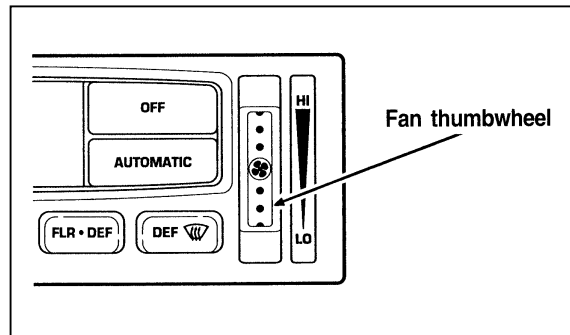
The average temperature range used is between 68°F (20°C) and 78°F (26°C). Changing the temperature setting by several degrees outside this range or overriding to 60°F (16°C) or 90°F (32°C) will not speed up the heating or cooling process.




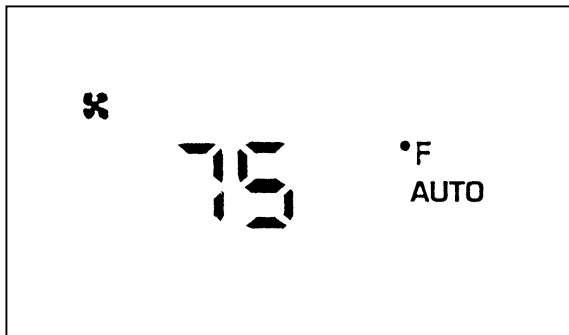
Fan speed and thumbwheel

Your EATC automatically adjusts the fan speed to the existing conditions. You must push **AUTOMATIC** for automatic fan speed operation. To control the fan speed yourself, use the thumbwheel which will cancel the automatic fan speed control. The thumbwheel is located at the extreme right

side of the EATC control panel. It is a vertical control marked with a fan symbol. Rotate up for HI and down for LO speeds.



When you move the thumbwheel, the fan speed will go to manual control. The display window will show the  symbol in the upper left corner along with the selected temperature and operating function.



You can override the fan speed at any time. If you use the thumbwheel to override the fan speed, the EATC will continue to control the temperature but you control the fan speed. To return to auto fan control, press the AUTOMATIC button. If you are operating in one of the override functions (FLOOR, MAX A/C, etc.), automatic fan control will continue unless you rotate the fan thumbwheel. To

return to automatic fan control, press the AUTOMATIC button. The EATC will return to Automatic operation. If you want to return to any override function, press the button for that function. The fan speed will continue to be automatically controlled.

Manual override buttons

Your EATC has six buttons which allow you to make special selections. The buttons are located along the bottom edge of the EATC control and allow you to determine where the air will be discharged. Pressing any override button changes the air discharge location only. It does not affect the ability of the system to control temperature or the fan speed. Return to fully Automatic operation by pushing the AUTOMATIC button.

MAX A/C button

The MAX A/C feature allows for faster cooling because air is drawn from inside the vehicle. Using inside air causes the fan to sound louder which is normal for this selection. The Display window will change to indicate 60°F (16°C) and MAX A/C. The fan will run and the airflow will be from the instrument panel registers. To exit and return to the previous temperature, push AUTOMATIC or any of the other five override buttons.

VENT button

Push this button to select outside air through the instrument panel registers. The display window will show the set temperature and VENT to the lower right of the temperature. Your EATC will heat the air if the temperature you have selected is warmer than the outside air coming into the vehicle. However, the air will NOT be cooled regardless of the temperature setting.

PNL • FLR button

Push this button to get air from the floor and instrument panel registers at the same time. The display will show the set temperature and the words PNL and FLR. Depending on the selected temperature, the air will be automatically heated or cooled.

FLOOR button

Airflow will be to the floor when the FLOOR button is pressed. The display window will show the set temperature and FLR to the left of the temperature. The air cannot be cooled in the FLR position, only heated. Fan speed will be automatic unless manually controlled. If you override the fan speed and wish to return to automatic fan control, push AUTOMATIC. Then, again select FLOOR for airflow to the floor.

FLR • DEF button

Push this button to get air to the floor and windshield defrosters at the same time. The display will show the set temperature, FLR and the Defrost symbol. If the outside temperature is about 50°F (10°C) and above, the air will be dehumidified to remove moisture. This will help to prevent fogging in humid weather.

DEF button

Press the Defrost Button to obtain maximum airflow to the windshield. Adjust the temperature setting as required for defrosting. The Display window will show the temperature setting with the Defrost symbol to the left of the temperature. When the outside temperature is about 50°F (10°C) and above, the air will be dehumidified to remove moisture. This will help prevent fogging in humid weather.


OUTSIDE TEMP button

By pressing this button, the temperature of the air outside of the vehicle will show in the display window for 4 seconds. Then, the window will automatically return to the previous display.

NOTE: The outside temperature reading is most accurate when the vehicle is moving. Higher readings may be obtained when the vehicle is not moving. The readings that you get may not agree with temperatures given on the radio due to differences in vehicle and station locations.

Operating tips

The following tips will help you to get the most satisfaction from your Electronic Automatic Temperature Control system.

- In humid weather, select DEF  before starting your engine. This will help to prevent windshield fogging. After a few minutes of operation, switch to AUTOMATIC or an override selection of your choice.

-
- To prevent humidity buildup inside your vehicle, always drive with the EATC System turned on.
 - Do not put objects under the front seats that interfere with the flow of air to the back seat area.
 - Remove any snow, ice, or leaves from the air intake area of your EATC System which could block the air intake. The intake area is located at the bottom of the windshield, under the hood at the passenger side rear corner.

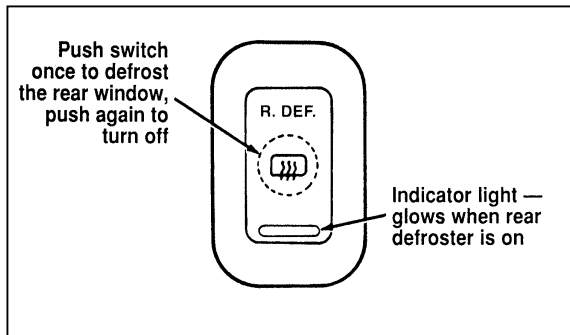
Service

If your EATC is not operating as described here, take it to your dealer to have it checked. System diagnostics are built in which will allow your dealer to readily identify problems that might occur.

Rear Window Defroster and Heated Sideview Mirrors

The rear window and heated outside mirrors defroster switch activates the defroster for the rear window to clear frost, fog, or thin ice from both the inside and outside of the rear window and activates the heated outside rearview mirrors.

The switch for the rear window defroster is located below the climate control panel.



The button that controls the rear window defroster and heated outside rearview mirrors

Before using the defroster, clear away any snow that is on the rear window and outside rearview mirrors. With the engine running, push the defroster button.

After approximately 10 minutes, the defroster will turn off. If the window or mirrors are still not clear, turn the defroster on again.

The defroster will turn off when the ignition key is turned to the OFF or START position.

The heating elements are bonded to the inside of the rear window. Do not use sharp objects to scrape the inside of the rear window or use abrasive cleaners to clean it. Doing so could damage the heating elements.

The Interior and Exterior Lights

Daytime Running Light System

(Canadian vehicles only)

The Daytime Running Light (DRL) system is designed to turn the low beam headlamps on when all of the following conditions are met:

- The headlamp system is in the OFF position, and
- The vehicle is running, and
- The vehicle has a fully released parking brake.

NOTE: If you have a vehicle with an automatic lighting system, the DRL system is active until the automatic system turns on the headlamps.

NOTE: You may notice that the lights flicker when the vehicle is turned on or off. This is a normal condition.

| WARNING |
|---|
| The Daytime Running Light (DRL) system will not illuminate the tail lamps and parking lamps. Turn on your headlamps at dusk. Failure to do so may result in a collision. |

Turning On the Exterior Lights

To turn on the headlamps, parking lamps, side markers, license plate lamps and tail lamps, use the rotary control that is to the left of the steering wheel.



The knob that controls the headlamps and parking lamps

To turn on the parking lamps, tail lamps, side markers, and license plate lamps, turn the control clockwise to the first position.

For more information about how the high beams work, see the high beam section later in this chapter.

Setting the Autolamp On/Off Delay System

By using the autolamp, you can set the headlamps to:

- turn on the lamps automatically at night
- turn off the lamps automatically during daylight
- keep the lamps on for up to three minutes after you turn the key to OFF.



The controls for the autolamp

To use the autolamp:

1. Make sure the headlamp control is in the OFF position. If the control for the headlamps is ON, you cancel the autolamp.
2. Turn the ignition key to ON or start your vehicle.

-
3. Rotate the headlamp control counterclockwise from the OFF position.

NOTE: The Message Center will display the amount of time that has been set for the autolamp to turn off the headlamps after turning the key to off.

4. The autolamp will automatically turn the lamps on and off for you.

Do not put any articles on top of the photocell that is located in the top right corner of the instrument panel. This photocell controls the autolamp. If you cover it, the photocell reacts as if it is nighttime, and the lamps turn on.

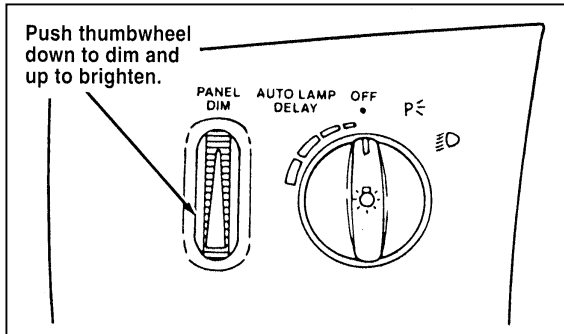
To turn the autolamp off, rotate the headlamp control clockwise to the OFF position.

To turn the autolamp off, rotate the headlamp control clockwise to the OFF position. The message center will display "AUTOLAMP OFF" message.

- The further you rotate the headlamp switch counterclockwise, the longer the lamps will stay on after you leave your vehicle. Similarly, if you rotate the control only slightly, the headlamps stay on for only a short time after you turn your vehicle off.

Turning On Interior Lights/Instrument Panel Illumination

With the light control in the parking lamps or the headlamps position, you can brighten or dim the lights in the instrument panel. To do this, use the thumbwheel to the left of the steering wheel. This wheel also turns on the interior lights with the light control on or off.



The thumbwheel that controls the light on the instrument panel and the interior light

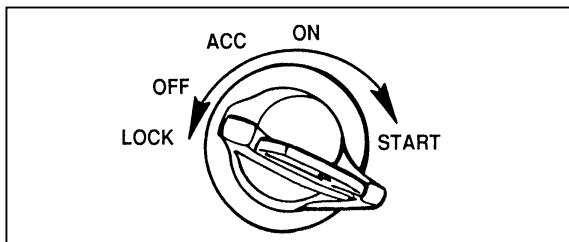
To dim the instrument panel lights, rotate the PANEL DIM thumbwheel down. To turn on the interior lights, turn the PANEL DIM thumbwheel all the way up. The interior lights also come on when any side door is opened.

Clock

1. To set the hour, press and hold the hour button. When the desired hour appears, release the button.
2. To set the minutes, press and hold the minute button. When the desired minute appears, release the button.

Ignition

Understanding the Positions of the Ignition



The positions of the key in the ignition

ACC allows some of your vehicle's electrical accessories such as the radio and the windshield wipers to operate while the engine is not running.

NOTE: Your vehicle is also equipped with an accessory timer. This allows some of your accessories to remain on for up to 10 minutes after the ignition is turned to the OFF position. The accessory timer is cancelled if any door is opened, the dimmer switch is used, or the ignition is turned to the ON position.

The automatic transmission gearshift must be in P (Park) to move the key to the LOCK position.

LOCK is the only position that allows you to remove the key. The LOCK feature helps to protect your vehicle from theft.

OFF allows you to shut off the engine.

ON allows you to test your vehicle's warning lights (except the brake system warning light) to make sure they work before you start the engine. The key returns to the ON position once the engine is started and remains in this position while the engine runs.

START cranks the engine. Release the key once the engine starts so that you do not damage the starter. The key should return to ON when you release it. The START position also allows you to test the Brake Warning Light.

Key System

The vehicle is equipped with a master key and valet key lock system. The master key will actuate doors, trunk, glove box, ignition and remote trunk release. The valet key will actuate doors and ignition only. The valet key is marked "valet".

Removing the Key From the Ignition

1. Put the gearshift in P (Park).
2. Set the parking brake fully.
3. Turn the ignition key to OFF.
4. Remove the key.

If the key is stuck in the LOCK position, move the steering wheel left or right until the key turns freely.

If the driver's door is open while the key is still in the ignition, a warning chime sounds.

| |
|--|
| WARNING |
| Always set the parking brake fully and make sure the gearshift is latched in P (Park). Turn off the ignition whenever you leave your vehicle. |

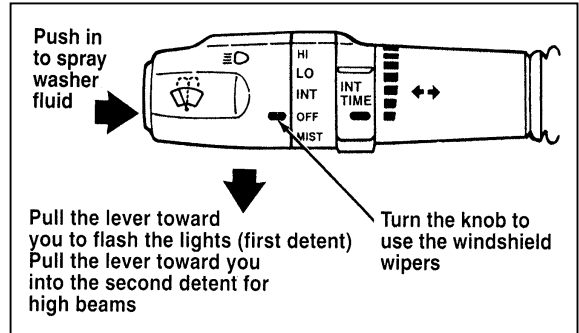
WARNING

Do not leave children, unreliable adults, or pets unattended in your vehicle.

The Turn Signal Lever

You can use the turn signal lever on the left side of the steering column to:

- operate the turn signals and cornering lamps
- turn the high beams on/off
- flash the lights
- turn the windshield wipers and washer on/off



The turn signal lever

Turn Signals

Move the lever up to signal a right turn. Move it down to signal a left turn. The corresponding indicator light in the instrument cluster will flash.

Usually, the turn signals turn off automatically after you turn your vehicle. If the turn signal continues to flash after you have made the turn, pull the lever back to the OFF position.

For lane changes, move the lever far enough to signal but not to latch. The lever will return to the off position when you release it.

When the turn signal is used when the headlamps are on, the cornering lamps will automatically light on either the right or left side depending on the direction of the turn.

High Beams

To turn on the high beams, turn the headlamp control switch to the headlamp ON position (or activate the autolamp feature) and pull the turn signal lever toward you until it latches. When the high beams are ON, the high beam indicator light on the instrument cluster comes on.

To turn off the high beams, push the lever away from you until it latches. The high beam indicator light turns off.

NOTE: When the headlamps are on low beam, the outer two headlamps are on. When the headlamps are on high beam, the two outer headlamps will turn off and the inner headlamps turn on.

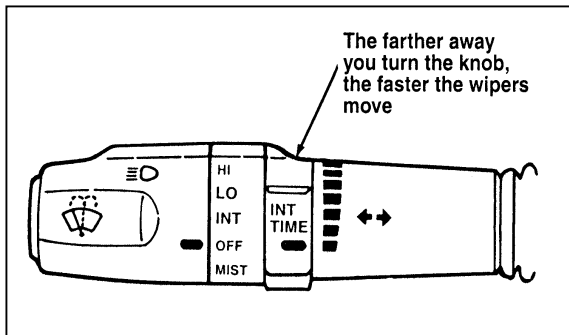
Flashing the Lights

To flash the headlamps, pull the lever toward you for a moment and then release it. The headlamps will flash whether the headlamp knob is in the on or off position.

Windshield Wipers and Washer

The wiper system is controlled by the windshield wiper control module. The windshield wiper will operate with the ignition switch in the ACC or ON position or in the delayed accessory mode. The wiper system functions are as follows:

INTERMITTENT — Wipers run at low speed at intervals set by rotating the barrel of the wiper switch. The interval can be adjusted between one to twenty seconds.



LOW — wipers will operate at low speed until turned off.

HIGH — wipers will run at high speed until turned off.

MIST — rotate the wiper switch down to the MIST position; the wipers will operate at low speed as long as the switch is held in this position. When released, the switch automatically returns to off. The wipers will complete the current cycle and park.

Windshield Washer

To clean the windshield, press the button on the end of the stalk. The washer system functions as follows:

LOW or HIGH — the washer will operate as long as the washer button is held in.

INTERMITTENT — the washer will operate as long as the button is held in and the wipers will operate at low speed overriding the intermittent mode. When the washer button is released the wipers will return to the previous intermittent mode setting.

OFF — the wipers will operate at low speed as long as the washer button is held. When the washer button is released the wipers will complete two to three cycles, depending on the position of the wipers when released, and then park.

If the washer does not work, check the washer fluid level and fill it if it is low. See the *Maintenance and Care* chapter. If there is enough fluid, consult your nearest Ford or Lincoln-Mercury dealer.

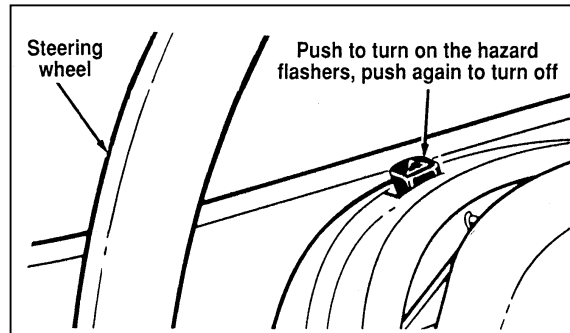
Do not try to clean the windshield when the washer fluid container is empty or activate the washers at any time for more than 15 seconds continuously. This could damage the washer pump system.

| WARNING |
|---|
| Always warm up the windshield with the defroster before you use the washer fluid. In freezing weather, the washer solution may freeze on the windshield and obscure your vision. |

For information about refilling the washer fluid or replacing your windshield wiper blades, see *Windshield washer fluid and Wipers* in the Index.

Hazard Flasher

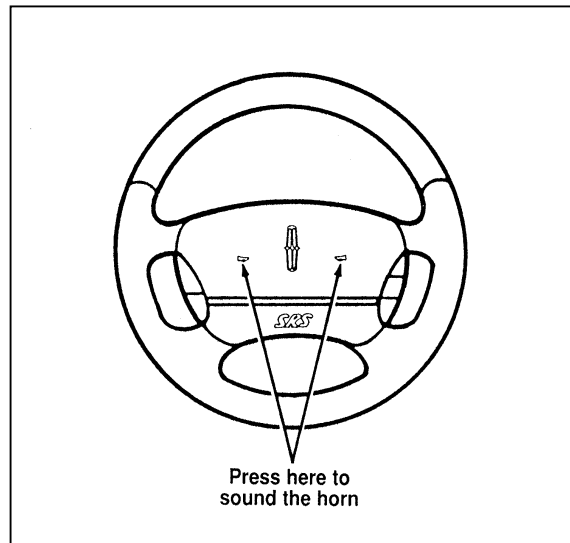
The hazard flasher serves as a warning to other drivers to be careful when approaching or passing your vehicle.



The control switch for the hazard flashers

Horn

To sound the horn, push the center pad area of the steering wheel.



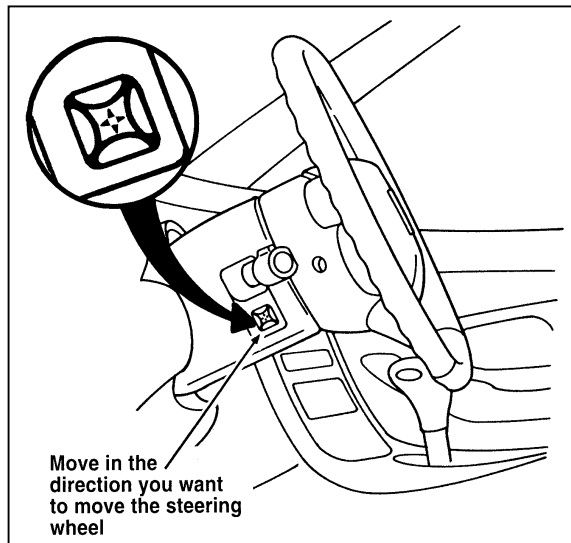
The horn on the steering wheel

Power Tilt/Telescope Steering Column

| |
|----------------|
| WARNING |
|----------------|

| |
|--|
| Never adjust the steering wheel when the vehicle is moving. |
|--|

The steering column positions are automatically saved and can be recalled along with the vehicle personality features when a memory position is selected through the keypad, keyless entry transmitter or memory switch on the driver's door.



The lever to tilt the steering wheel

During autoglide operation the column will move to the full in and up position. The column will return when autoglide is completed.

During easy exit (if activated through the Message Center) operation the column will move to the full in and up position. When the key is inserted into the ignition switch the column will return to the previous setting. When you remove the key the column will move away.

If the steering column adjustment switch is pressed during memory recall the switch position will cancel automatic operation and the column will respond to manual adjustment of the switch.

The manual adjustment of the steering column is adjustable with the ignition switch on or off.

The steering column can be adjusted manually by using the four-way rocker adjustment switch located on the multi-function switch below the turn

signal/wiper switch stalk. The switch will adjust the column as long as held or until the column reaches the end of travel.

The telescope function is adjusted by pulling the switch towards the driver to telescope out and pushing the switch towards the instrument panel to telescope in.

The tilt function is adjusted by pressing the switch up to tilt the column up or pressing the switch down to tilt the column down.

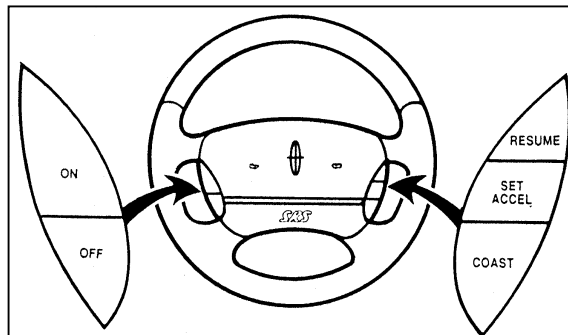
NOTE: If attempting to manually adjust the steering column and it does not respond see your local dealer for service.

Speed Control

The speed of the vehicle cannot be automatically controlled until the vehicle speed is at or above 30 mph (48 km/h).

Use of radio transmitting equipment that is not Federal Communications Commission (FCC) or in Canada the Canadian Radio and Telecommunications Commission (CRTC) approved may cause the speed control to malfunction. Therefore, use only properly installed FCC (CRTC in Canada) approved radio transmitting equipment in your vehicle.

NOTE: Do not shift to N (Neutral) when using the speed control. This will cause the engine to overspeed.



The speed control switches on the steering wheel

To Turn Speed Control Off

- Press OFF,
- Turn off the vehicle ignition.

Once speed control is switched off, the previously programmed set speed will be erased.

To Turn Speed Control On

- Press ON

To Set a Speed

Press SET ACCEL. For speed control to operate, the speed control must be ON and the vehicle speed must be greater than 30 mph (48 km/h).

If you drive up or down a steep hill, your vehicle speed may vary momentarily slower or faster than the set speed. This is normal.

Speed control cannot reduce the vehicle speed if it increases above the set speed on a downhill. If your vehicle speed is faster than the set speed while driving downhill in j (Overdrive), you may want to shift to the next lower gear to reduce your vehicle's speed.

If your vehicle slows down more than 10 mph (16 km/h) below your set speed on an uphill, your speed control will disengage. This is normal. Pressing RES (Resume) will re-engage it.

| WARNING |
|--|
| To keep your vehicle under control, do not use speed control in heavy traffic or on roads that are winding, slippery, or unpaved. |

To Set a Higher Set Speed

- Press and hold SET ACCEL. Release the switch when the desired vehicle speed is reached. OR
- Press and release SET ACCEL. Each press will increase the set speed by 1 mph (1.6 km/h). OR
- Accelerate with your accelerator pedal, then press SET ACCEL.

You may accelerate with the accelerator pedal at any time during speed control usage. Releasing the accelerator pedal will return your vehicle speed to the previously programmed set speed.

To Set a Lower Set Speed

- Press and hold COAST. Release the switch when the desired vehicle speed is reached. OR

- Press and release COAST. Each press will decrease the set speed by 1 mph (1.6 km/h). OR
- Depress the brake pedal. When the desired vehicle speed is reached, press SET ACCEL.

To Disengage Speed Control

- Depress the brake pedal.

Disengaging the speed control will not erase the previously programmed set speed.

To Return to a Set Speed

- Press RESUME. For RESUME to operate, the vehicle speed must be faster than 30 mph (48 km/h).

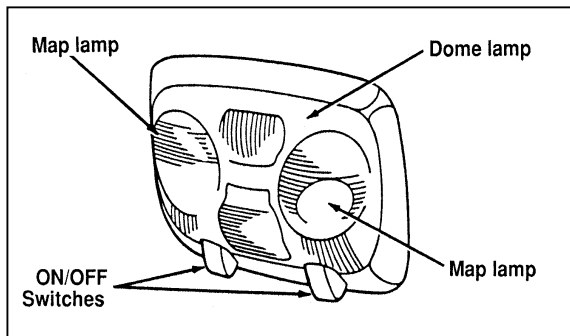
Indicator Light

- Lights when either the SET ACCEL or RESUME switches are pressed and remains lighted until it is either disengaged or turned off.

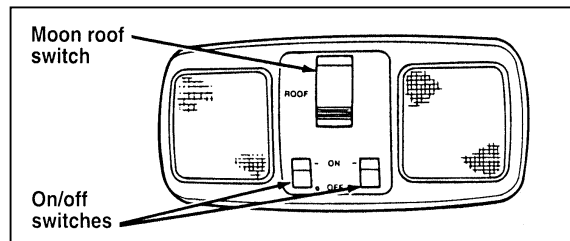
Turning On the Lamps

Map and Reading Lamps

Your vehicle has two map lamps for the passenger and the driver. To turn on the map lamps, push the switch next to each lamp.



Front seat map and dome lamps



Map lamp (with optional moon roof)

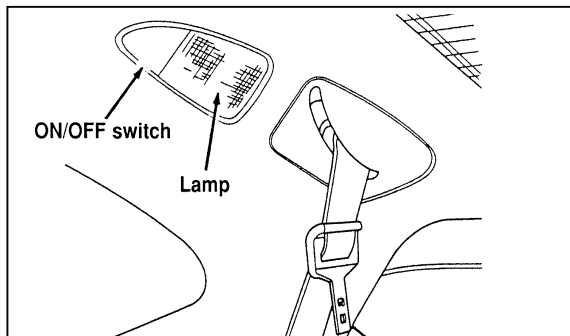
The dual beam map lamps are located on each side of the dome lamp. Each map lamp can be turned on by the switches on the lamp.

Rear Courtesy/Reading Lamps

Your vehicle is equipped with two courtesy/reading lamps in the rear side trim panels. The on/off switch is located next to the lens and is operated by pushing in to turn on and pushing again to turn off.

With the switch pushed in one position, the courtesy/reading lamp will illuminate when any door is opened or when the instrument panel dimmer switch is rotated to the courtesy lamp position.

Push the switch to illuminate the lamp continuously.



Rear seat courtesy/reading lamps

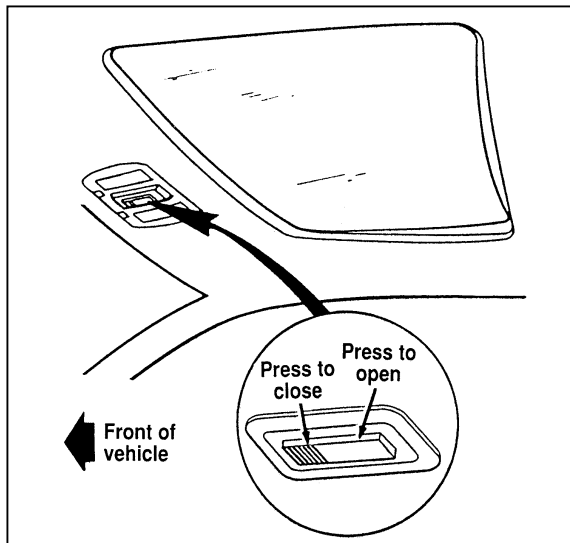
Moon Roof (If equipped)

You can move the moon roof back to open the glass panel, or you can tilt it up to ventilate the vehicle.

There is also an intermediate position between closed and open which can reduce wind noise at speeds between 30 and 45 miles per hour (50 and 70 km/h).

The rocker type switch is used to open and close the moon roof. You must press and hold the switch until the desired position is reached. At fully open, closed or intermediate positions, the motor will automatically turn off. Release the switch at this time to avoid motor damage.

When operating the moon roof, we recommend that the Electronic Automatic Temperature Control (EATC) be set to VENT for maximum system performance.



The switch for the moon roof

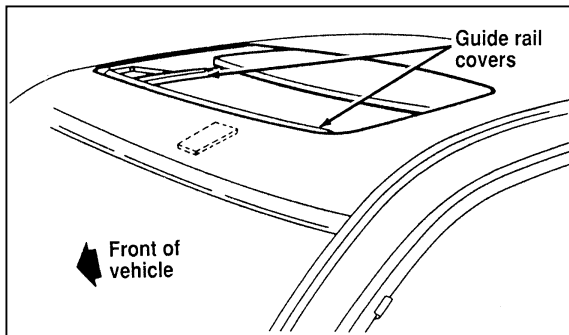
To open the moon roof, press and hold the rear portion of the switch. The glass panel will move to the intermediate position and stop. If the rear of the switch is pressed again the glass panel will move to the full open position and stop.

To close the moon roof, press and hold the front portion of the control. The glass panel will move to the intermediate position and stop. Press and hold the front of the control again and the panel will move to the fully closed position and stop.

To tilt the moon roof into vent position when the glass panel is closed, press the front portion of the control.

To close from vent position, press and hold the rear portion of the control.

Occasionally wiping the outside guide rail covers of the moon roof with a clean cloth will help keep the moon roof working properly.



The moon roof

WARNING

Do not let children play with the moon roof. They may seriously hurt themselves.

Sliding Shade

The moon roof has a sliding shade that you can manually open or close to block the sun when the glass panel is shut.

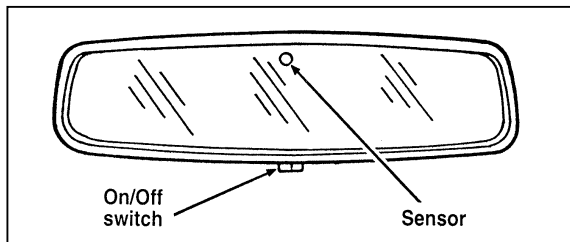
To close the sliding shade, pull the shade toward the front of the vehicle. The shade automatically opens and locks when the moon roof is opened.

Mirrors

Automatic Dimming Inside Rearview Mirror

Your vehicle is equipped with an inside rearview mirror which has an Auto-Dimming function (available as an option on the outside driver's side mirror). These electronic day/night mirrors will change from the normal state to the non-glare state when bright lights (glare) reach the mirrors. These mirrors function at night, and have a limited function at dusk or dawn. From the non-glare state, the mirrors will return to the normal state after a

short delay. The delay starts when glare goes away. The delay prevents excessive changing of the mirrors as traffic moves behind and around the vehicle, or on rolling hills and curves.



The automatic non-glare mirror

There are two light sensors (photocells) in this mirror. The sensor that detects rear glare is located inside a window in the center of the mirror. The second light sensor which determines outside light

level is located on the backside of the mirror case. The driver's side mirror is activated by these sensors to prevent glare when traffic is behind or around the vehicle.

NOTE: Do not block the sensor on the backside of the mirror (i.e., with a parking tag, car deodorizer, etc.) since this may impair proper mirror performance.

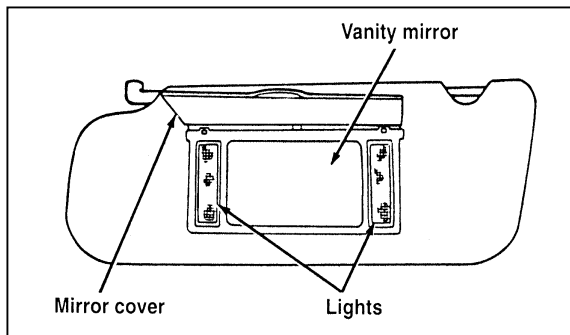
One important safety feature is that the mirror automatically returns to the normal position whenever the vehicle is placed in R (Reverse) (when the mirror is in the ON position). This feature ensures a bright clear view in the mirror when backing up.

Do not clean the housing or glass of any mirror with harsh abrasives, fuel or other petroleum-based cleaning products.

Sun Visors

Illuminated Visor Mirror (If equipped)

To turn on the visor mirror, lift the mirror cover.



The mirror on the sun visor

HomeLink® Universal Transmitter (If equipped)

The HomeLink Universal Transmitter provides a convenient way to replace up to three hand-held transmitters with a single built-in device. This innovative feature will learn the radio frequency codes of most current transmitters to operate garage doors and gates. With the available accessory package, the HomeLink Transmitter can also control home or office lighting and security systems. For reliability, the HomeLink Transmitter is powered by your vehicle's battery and charging system.

WARNING

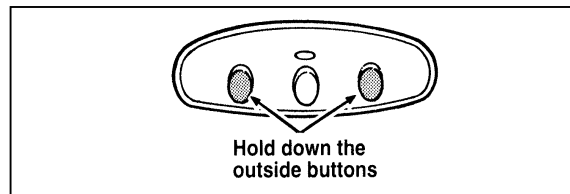
When programming your HomeLink Transmitter, you will be operating the garage door or gate. Be sure that people and objects are out of the way to prevent potential harm or damage.

Do not use this HomeLink Transmitter with any garage door opener that lacks safety “stop” and “reverse” features as required by federal safety standards, (this includes any garage door opener model manufactured before April 1, 1982). A garage door opener which cannot “detect” an object in the path of a closing door and then automatically “stop” and “reverse” the door, does not meet current federal safety standards. Using a garage door opener without these features increases risk of serious injury or death. For more information on this matter, call toll-free: **1-800-355-3515**.

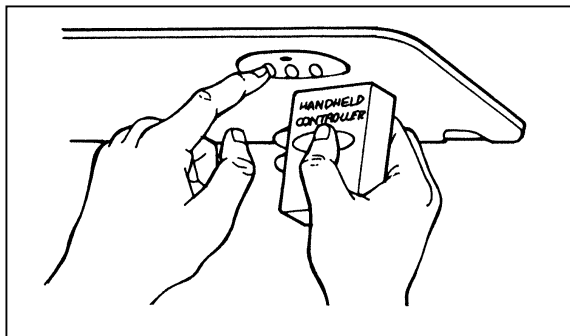
Programming

If after repeated attempts you do not successfully program the HomeLink Universal Transmitter to learn the signal of the hand-held transmitter, call toll-free for customer assistance: 1-800-355-3515.

1. If you have previously programmed your HomeLink Transmitter, proceed to step 2. Otherwise, hold down the two outside buttons on the HomeLink Transmitter until the red light begins to flash. Release both buttons.



2. Decide which one of the three channels you want to program.
3. Hold the end of your hand-held transmitter against the front surface of the HomeLink Transmitter so that you can still see the red light.



- Using both hands, push the hand-held transmitter button and the desired button on the HomeLink Transmitter. **Continue to press both buttons through step 5.**

- Hold down both buttons until you see the red light on the HomeLink Transmitter flash, first slowly and then rapidly. It indicates that you have successfully programmed the HomeLink Transmitter to learn the new frequency signal. Release both buttons once the rapid flashing begins.

Note to Canadian Residents

During programming, your hand-held transmitter may automatically stop transmitting after two seconds, which may not be long enough to program the HomeLink Universal Transmitter.

If you are programming from one of these hand-held transmitters, continue to hold the button on the HomeLink Transmitter while you re-press your hand-held transmitter every two seconds.

You may have to repeat this function several times while programming.

Operating the HomeLink® Universal Transmitter

Once it is programmed, the HomeLink Universal Transmitter can be used in place of your hand-held transmitter(s). To operate, simply press the appropriate button on the HomeLink Transmitter. The red light comes on while the signal is being transmitted.

NOTE: If your hand-held transmitter appears to program the HomeLink Transmitter, but does not open your garage door, and if your garage door opener was manufactured after 1995, your garage door opener may have a “code protected” or “rolling code” feature.

A “rolling code” type of system will change the “code” of your garage door opener every time you open or close your garage door.

To determine if you have one of these systems, depress the button on the HomeLink Transmitter that you programmed. If the red light on the

HomeLink Transmitter flashes rapidly for 1-2 seconds, then remains on, your garage door opener has a rolling code system.

Training a Garage Door Opener Equipped with “Rolling Codes”

To train your “rolling code” garage door opener to operate from your HomeLink Transmitter, follow these steps:

1. Program your hand-held transmitter to the HomeLink Transmitter by following the procedures outlined in the “Programming” section of these instructions. (If you already completed this programming, proceed to the next instruction.)
2. Train your garage door opener receiver to recognize your HomeLink Transmitter. (Your garage door opener receiver will learn to recognize the HomeLink Transmitter by following the same procedures used to train the hand-held transmitter.)

-
- Remove the cover panel from your garage door opener receiver. (The receiver should be located by the garage door opener motor.)
 - Locate the training button on the garage door opener receiver. The exact location and color of the button may vary by garage door opener brand. If you have difficulty locating the training button, reference your garage door opener manual, or call **1-800-355-3515**.
 - Press the training button on the garage door opener receiver for 1-2 seconds.
 - Return to the HomeLink Transmitter in the vehicle, and depress the programmed HomeLink button for the duration of the rapid flash of the HomeLink's red light, (1-2 seconds). Release the button, and re-press the button to confirm that the HomeLink Transmitter has been trained to the receiver.

- Your garage door opener should now recognize your HomeLink Transmitter. You may use either your HomeLink Transmitter or your original hand-held transmitter to open your garage door.

If after following these suggestions you still have difficulties in programming your HomeLink Transmitter, call toll-free for customer assistance: **1-800-355-3515**.

Erasing Channels

To erase all three programmed channels, hold down the two outside buttons until the red light begins to flash. Then release both buttons. Individual channels cannot be erased, but can be reprogrammed using the procedures for programming the HomeLink Transmitter, (steps 2 through 5).

NOTE: Be sure to retain your original transmitter for future programming procedures (i.e., new vehicle purchase).

NOTE: When selling your vehicle, be sure to erase all channels on the HomeLink Transmitter that you programmed.

Accessories

Accessories for your HomeLink Universal Transmitter are available from the manufacturer of the device. If you would like additional information or would like to purchase other accessories such as home lighting or security products that can be operated by the HomeLink Universal Transmitter, please call toll-free: **1-800-355-3515**.

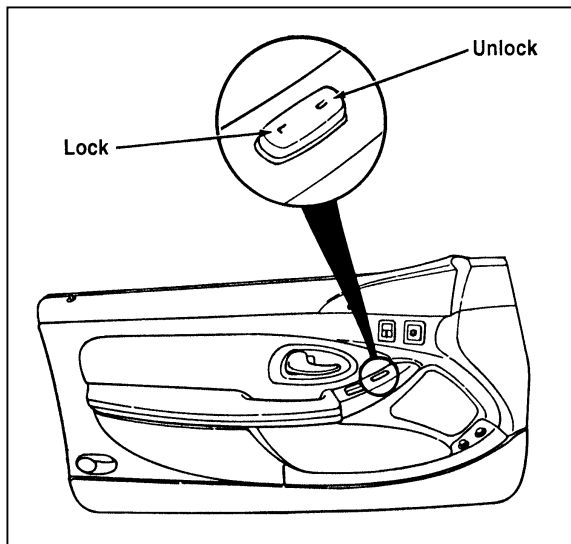
Doors

Anti-theft front door lock knobs

Anti-theft lock knobs are designed to prevent unlocking the door by pulling up on the lock knob. To unlock and open the front door from inside the vehicle, pull on the inside door handle.%

Using the Power Door Locks

Your vehicle has power door locks. The controls to lock the doors are on the trim panel of the front door. When you close the doors after you set the door locks, the doors remain locked. If the power mechanism ever fails, the manual door lock will override the power controls.



The power locks on the driver's door

Smart Locks

The Smart Locks feature helps prevent you from locking the keys in your vehicle. With the key in the ignition (in any switch position) and either the driver's or passenger's door open, the doors cannot be locked using the front door lock switches.

NOTE: Your vehicle can still be locked, while the key is in the ignition, by manually pressing down the lock button or with remote/keyless entry.

Illuminated Entry System with Theater Lighting

The interior lights will illuminate for approximately 25 seconds when any button on the keyless entry pad is pressed or the remote entry system UNLOCK button is pushed.

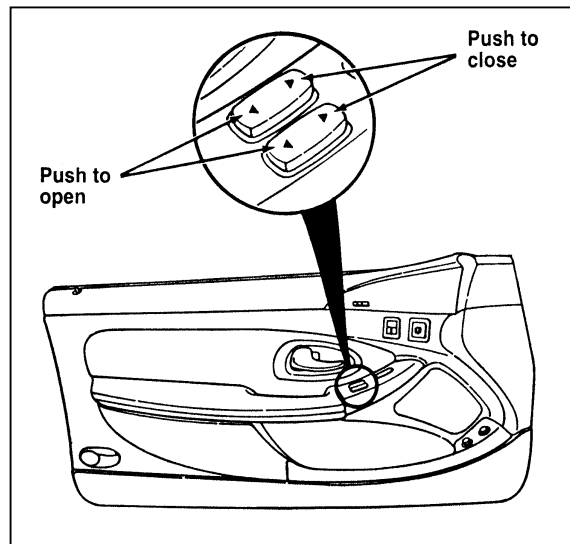
Using the Power Windows

Each door has an illuminated power control that opens and closes the window on that door. The driver's door has a master control panel that operates the windows.

Power windows can only be opened or closed when the ignition switch is in the ON or ACC position.

WARNING

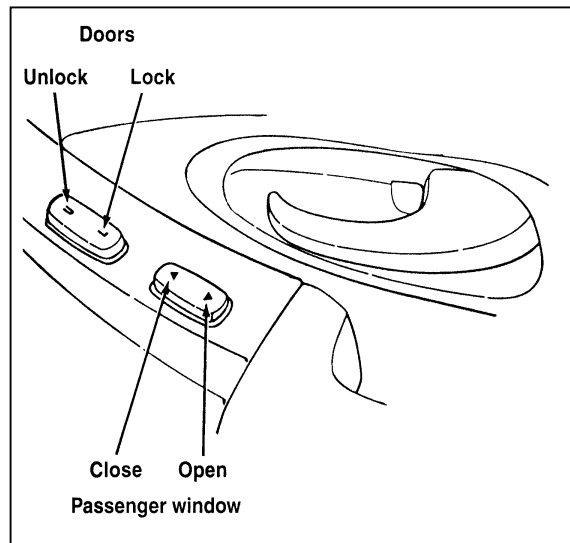
Do not let children play with the power windows.



The master controls on the driver's door

There is also an Express Down feature on the driver's power window. This feature can be activated through the menu functions of your Message Center.

For conventional operation press the driver's window control to the first detent in the down position. For express down operation press the control to the second detent in the down position.



The controls on the passenger's door

Memory Profile System (If equipped)

The Personality Memory Feature customizes your Mark VIII for up to two (2) drivers. The following features are automatically recalled when unlocking the doors using the remote entry transmitter, keyless entry keypad, or by pressing the Memory 1 or Memory 2 switches on the driver's door:

- All driver's seat positions except power lumbar and head restraint.
- Both left and right outside mirror settings.
- Steering column position.
- Seven Driver Menu settings

Personality Memory also allows you to customize settings from the Driver menu located in the Message Center. Refer to the Message Center for more information.

Recalling Personality Memory

All of these settings are automatically recalled when the driver unlocks the door using the remote entry transmitter, keyless entry keypad or presses either Memory 1 or Memory 2 switch inside the driver's door. The vehicle must be in PARK or NEUTRAL to recall Personality Memory settings.

Remote Entry

Pressing the UNLOCK button on the remote entry transmitter unlocks the driver's door and recalls all of the Personality Memory settings. Two transmitters are delivered with the vehicle. One is programmed to always recall Memory 1 and the other will always recall Memory 2. Personality Memory 1 or 2 is indicated on the back of the transmitter.

Personality Memory recall from the remote transmitter can be disabled. This is done by sliding the switch on the back of the transmitter to OFF. Personality Memory can still be recalled using keyless entry code or the Memory 1 or Memory 2 switches.

Keyless Entry

Up to three unique keyless entry codes can be programmed by the customer. Two of the codes can be assigned to recall Personality Memory 1 or Memory 2. Each time the 5-digit code is entered on the keypad, the driver's door will unlock and Personality Memory 1 or Memory 2 will be recalled.

NOTE: Please note that even though the driver's Personality Memory may be recalled using remote or keyless entry, the seats and mirrors will not move to the driver's set positions until the driver's door is opened. The steering column will move when the key is inserted.

Memory Switches

Pressing either the Memory 1 or Memory 2 switch on the driver's door will also recall the Personality Memory settings as selected, providing your vehicle is in P (Park) or N (Neutral).

Auto Save

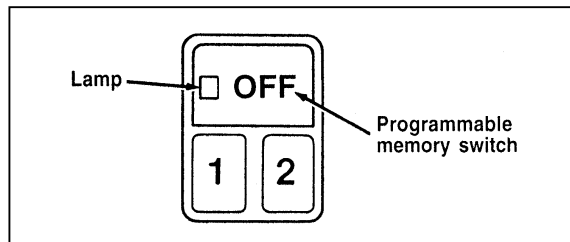
Any change made by the driver to one of the above Personality Memory settings will be updated and saved automatically. The display, DRIVER 1 (or 2) SETTING SAVED, will appear on the Message Center for five (5) seconds as a confirmation of the update to Personality Memory.

If the driver does not use the remote entry transmitter, or keyless entry keypad to unlock the doors upon entering or does not press the Memory 1 or Memory 2 switch, then any change to one of the Personality Memory settings will not be automatically saved. Instead the driver will be prompted by the Message Center. "IDENTIFY DRIVER TO SAVE". Press select button (located on

the right of the instrument cluster) to identify yourself; otherwise, setting will not be saved and subsequent changes will not be saved.

Turning Personality OFF

The Personality Memory feature can be turned off using the Memory OFF switch on the driver's door. The amber indicator light will be lit when the feature is turned OFF. Pressing either the Memory 1 or Memory 2 switch will turn on the Personality Memory feature and recall the saved settings.



Setting the programmable memory switch

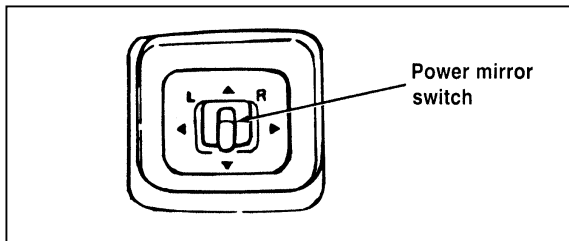
When Personality is OFF, the vehicle will function as if the Personality Memory feature was not on the vehicle. Also, when a change is made to one of the Personality settings, there will be no prompts on the Message Center asking which driver to save the setting to.

Side View Mirrors

Your vehicle comes with electric side mirrors. The side view mirror on the right is a convex mirror. This mirror gives you a wider view of the lanes on your right and behind you.

WARNING

The right side view mirror makes objects appear smaller and farther away than they actually are.



The electric remote control switch

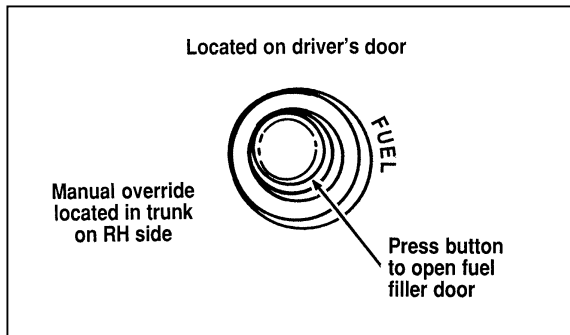
To adjust the side mirrors:

1. Find the control switch in the driver's door panel.
2. Select the right or left mirror by moving the selector switch to R or L.
3. Move the mirror switch in the direction you want to move the mirror.
4. Return the selector switch to the middle position to keep the mirror in place.

Do not clean the housing or glass of any mirror with harsh abrasives, fuel or other petroleum-based cleaning products.

Remote Control Fuel Filler Door Release Button

Your vehicle has a remote control fuel filler door which cannot be opened from outside of the vehicle. To unlatch the fuel filler door, push the fuel door button on the driver side door. Refer to the *Maintenance and Care* chapter for further information.



The remote control fuel filler door release button

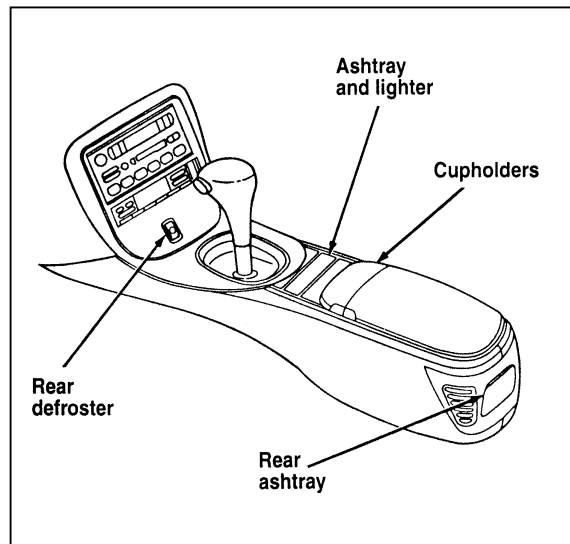
Cellular Phone (If equipped)

For information about the cellular phone in your vehicle, refer to the *Cellular Phone User's Manual* provided with your phone. For further questions about your Lincoln cellular phone, contact the Ford Cellular System at 1-800-367-3013(U.S.). In Canada, please contact your dealer.

NOTE: It is recommended that you fold your cellular phone antenna down onto the back glass before entering a car wash.

Console

Your vehicle has a full console. The full console has the features shown in the following illustration.



The features on the full console

Cupholder With Full Console

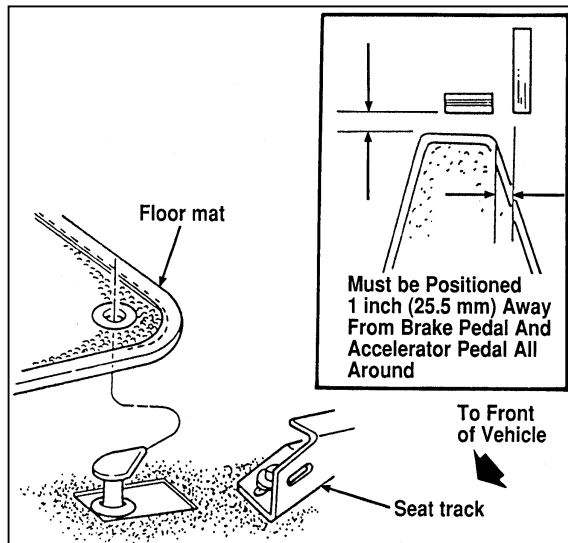
To open the cupholder, push down on the cupholder and release.

WARNING

Use only soft cups in the cupholder.
Hard objects can injure you in a collision.

Positive Retention Driver's Side Floor Mat

When installing or removing the driver's side floor mat you must attach/detach from the hook on the floor. The hook is just forward of the left hand track of the driver's seat. This is done by rotating one quarter turn, slipping the eyelet onto the hook, and sliding it to the floor.

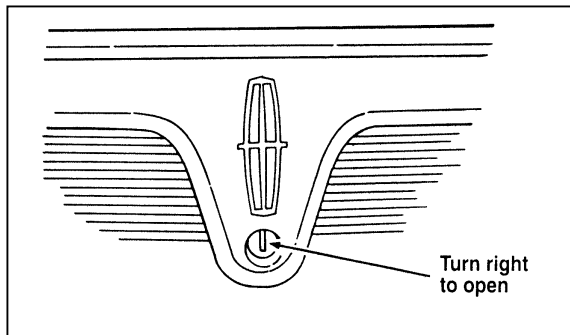


The positive retention floor mat hook

Trunk

Opening the Trunk Manually

To open and close the trunk from the outside:



The trunk lock cylinder

1. Insert the key into the lock on the trunk.
2. Turn the key to the right until the trunk opens.
3. Remove the key before you close and lock the lid.
4. Shut the trunk lid by pushing on the top of the lid with enough pressure to allow the latch to engage.
5. The power mechanism will automatically pull down and securely latch the trunk lid shut. A slight whirring sound will be heard.

| WARNING |
|---|
| <p>Do not attempt to stop the automatic pulldown or clear objects from the sealing edges of the decklid once the initial latching has been made.</p> |

Using the Power Trunk Release

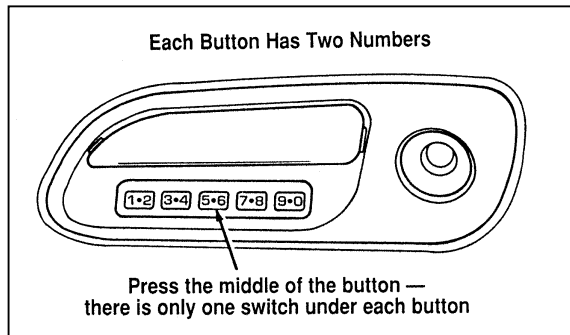
The remote trunk lock switch located in the driver's door trim panel can be operated at any time unless you render the switch inoperable by locking the button with your master key.



The remote control for the trunk

Keyless Entry System

You can lock or unlock the vehicle doors and open the trunk without using a key. The buttons for the system are below the outside door handle on the driver's side. See also *Remote Entry System* which follows this description.



The keyless entry buttons

When you bought your vehicle, you were given a computer code that operates the system for your vehicle. For your convenience, we have duplicated this code in three places.

The code is:

- on your owner's wallet card found in the glove compartment
- taped to the right hinge of the trunk lid
- taped to the computer module inside the driver's door panel

When you use keyless entry, the illuminated entry system turns on the interior lights for 25 seconds and the buttons on the keypad light up. Do not push the buttons with a key, ballpoint pen, pencil, or any other hard object. These objects could damage the buttons.

Unlocking the Doors with the Keyless Entry System

You must unlock the driver's door before you unlock any of the other doors or trunk. If you let more than five (5) seconds pass before pressing numbers, the system shuts down, and you have to enter the code again. The system has shut down if the keypad light is out. If the keyless entry system does not work properly, use the key or transmitter(s) to lock and unlock the doors or unlock the trunk.

1. To unlock the driver's door, enter the factory code or your personal code. All codes have five (5) numbers. After you press the fifth number, the driver's door unlocks.
2. To unlock the passenger's door, press the 3/4 button within five seconds of unlocking the driver's door or trunk, or re-enter the code to open the driver's door, then press 3/4.

-
3. To unlock the trunk, press the 5/6 button within five (5) seconds of unlocking the driver's or passenger's door, or re-enter the code to open the driver's door, then press 5/6.

As long as the driver's door has been unlocked first, you can open the passenger door or the trunk in any order.

Locking the Doors with the Keyless Entry System

Along with unlocking your doors, you can use the keyless entry system to lock the doors.

To lock all of the vehicle's doors at the same time, press 7/8 and 9/0 at the same time. It is not necessary to first enter the keypad code. This will also arm your anti-theft system (if equipped).

Autolock

The Autolock feature will automatically lock both doors when:

- the ignition key remains in the ON position
- driver's and passenger's doors are closed
- a door is opened and then closed
- the vehicle is in a forward gear, and
- you exceed three mph (five km/h).

If you do not want to use the Autolock feature, it can be deactivated by using the driver's settings menu in the Message Center.

Programming Your Own Entry Code

You can program a personal code to unlock your vehicle. This code does not replace the permanent code that the dealership gave you. Use your personal code in the same manner as you would your original code.

To program your own code:

1. Select five digits for your personal code.
2. Enter the factory code that the dealership gave you.
3. Within five (5) seconds, press 1/2.
4. Within five (5) seconds of pressing 1/2, enter your personal code, pressing each digit within five (5) seconds of the previous digit.

The keyless entry system registers this second code. To open your vehicle, you can now use either code. The module remembers only one personal code at a time. Entering a second personal code will erase the first, replacing it with the new second one.

To erase your personal code:

1. Enter the original permanent code.
2. Press 1/2 within five seconds of Step 1.
3. Wait six seconds.

The keyless entry system automatically erases your personal code. The system will now only respond to the permanent code.

Do not set a code that presents the numbers in sequential order, such as 1/2, 3/4, 5/6, 7/8, 9/0. Studies show that people who idly press the buttons usually press a sequential pattern. Also, do not select a code that uses the same button five times. Thieves can easily figure out these types of codes.

Arming, disarming and resetting your anti-theft system from the keyless entry pad

The Keyless Entry system will arm the anti-theft system when you use the 7/8 and 9/0 keys to lock the doors, and will disarm or reset a triggered anti-theft alarm when you enter in the five digit code to unlock the driver's door.

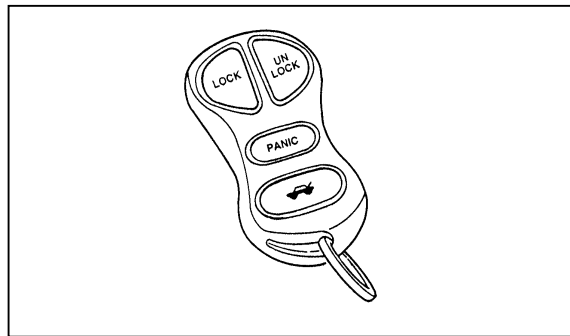
Remote Entry System

With the remote entry system, you can lock and unlock the vehicle doors and open the trunk without using a key. The buttons for the system are located on the two hand held transmitters that came with your vehicle. The remote also has a personal alarm feature.

The system will work with up to four remotes. Your vehicle came with two remotes. Additional remotes can be ordered from your dealer.

When unlocking a vehicle with the Programmable Memory Seat/Outside Rear View Mirrors feature, the seat, the outside mirrors and steering column will adjust to position that is set for the transmitter being used.

The remote entry features only operate with the ignition in the OFF position.



Remote entry transmitter

Unlocking the doors and opening the trunk

To unlock the driver's door, press the UNLOCK control.

To unlock the passenger's door, press the UNLOCK control a second time within five (5) seconds of unlocking the driver's door.

To open the trunk, press the TRUNK button twice within five (5) seconds.

Locking the doors

To lock all the doors, press the LOCK control. This will also arm the anti-theft system (if equipped).

To signal that the doors are locked the horn will chirp if the horn chirp feature is turned ON in the driver settings menu in the message center.

Activating the remote personal alarm

If you wish to activate the remote personal alarm, press the PANIC control. This will honk the horn and flash the parking lamps and tail lamps for approximately two minutes and forty-five seconds. You can turn it OFF by pressing the PANIC control again or by turning the ignition key to the RUN position.

Arming and Disarming the Alarm System

Your vehicle is equipped with the factory installed anti-theft system. The remote entry system will automatically arm it when the doors are locked with the remote entry LOCK button. The remote entry UNLOCK button will disarm or reset a triggered anti-theft alarm.

The remote entry system is designed to work with the factory installed anti-theft system. It may not work with other anti-theft systems.

When you use the remote entry UNLOCK, TRUNK or PANIC buttons, the illuminated entry system turns on the interior lights for 25 seconds. You can turn these lights off with the LOCK button or by turning the ignition to the RUN position.

Memory Seat/Mirrors/Steering Column Feature

Your vehicle allows the remote keyless entry system to control the Memory Seat/Mirrors/Steering Column feature. With this feature, each of the first two transmitters programmed will recall a different seat position.

Pressing the transmitter UNLOCK button once will unlock the driver's door and move the seat to its corresponding memory seat/mirrors position, just as if you had pressed the memory button in the vehicle.

When your dealer programs new transmitters, the order of programming controls seat recall as follows:

- First Transmitter Programmed — Recall Seat/Mirrors/Steering Column Position #1
- Second Transmitter Programmed — Recall Seat/Mirrors/Steering Column Position #2
- Third Transmitter Programmed — NO Recall/Memory Seat/Mirrors/Steering Column (allows only three positions)

You may change seat/mirrors positions at any time. Once programmed, Transmitter #1 will always move the seat/mirrors/steering column to position #1.

The feature is turned on at the factory for your convenience. You can deactivate the system by using the OFF button or switching the key fob switch to OFF.

Replacing the Batteries

The remote entry transmitter is powered by two coin type three-volt lithium 1616 batteries (included) that should last for several years of normal use. If you notice a significant decrease in operating range, the batteries should be replaced. Replacement batteries can be purchased at most pharmacies, watch stores or at your Ford or Lincoln-Mercury dealer.

NOTE: The operating range of the remote entry system can also be affected by weather conditions (such as very cold temperatures) or structures around the vehicle (buildings, other vehicles, radio and TV towers, etc.). Typical operating range will allow you to be up to 33 feet (10 meters) away from your vehicle.

The remote can be snapped apart to replace the batteries by twisting a thin coin between the two halves of the remote. **DO NOT TAKE THE FRONT PART OF THE REMOTE APART.** When installing the new batteries, be sure to place the positive (+)

side down as marked. Snap the two halves back together.

Replacement/additional remotes

In the event a remote is lost, return the remaining remotes to your dealer for reprogramming of your remote entry system. This is necessary to prevent further unauthorized use of the lost remote.

Additional remotes may be purchased from your dealer (remote entry system will work with up to four remotes). Return your existing remotes to your dealer so the remote entry system can be reprogrammed with your new and existing remotes.

THIS DEVICE COMPLIES WITH PART 15 OF THE FCC RULES. OPERATION IS SUBJECT TO THE FOLLOWING TWO CONDITIONS: (1) THIS DEVICE MAY NOT CAUSE HARMFUL INTERFERENCE, AND (2) THIS DEVICE MUST ACCEPT ANY INTERFERENCE RECEIVED, INCLUDING INTERFERENCE THAT MAY CAUSE UNDESIRED OPERATION.

Battery Saver

When the ignition is turned off, the vehicle will turn off battery voltage to the courtesy lamps after 10 minutes and the demand lamps after 30 minutes.

This will prevent draining of the battery if those lights have been left on inadvertently or if a door is not completely closed. Battery voltage to these lamps will be restored when the keyless entry keypad is used, the remote entry transmitter is used, any door is opened, the trunk is opened, or the ignition key is turned to the ON position.

Perimeter Anti-Theft System

When armed, this system helps to protect your vehicle against break-ins or theft.

When an unauthorized entry occurs, the system triggers and will:

- flash the headlamps, parking lamps, and alarm indicator light

- honk the horn
- prevent the engine from starting

NOTE: The factory installed Remote Entry System has a PANIC feature that also honks the vehicle horn and flashes the interior/exterior lamps when the PANIC button on the remote entry transmitter is pushed. **The PANIC alarm and the Anti-Theft alarm are two separate features.** Both the anti-theft alarm and the PANIC feature can be active at the same time.

To tell the difference between a PANIC alarm and a triggered Anti-Theft alarm:

- only the Anti-Theft alarm will cause the alarm indicator light (located in the center of the instrument cluster) to flash on and off.
- only the Anti-Theft alarm will prevent the engine from starting.

For more information on the PANIC alarm, see *Remote Entry System* in the Index.

Arming the System

To arm the system, do the following four steps in sequence.

1. Remove the key from the ignition.
2. Open any door. The alarm indicator light will start flashing to remind you to arm the system.
3. Lock the doors by using the power door lock switch, pressing the remote entry transmitter LOCK control or pressing the last two buttons (7/8, 9/0) of the keyless entry keypad.
4. Close all doors. The alarm indicator light will then remain on steadily for approximately 30 more seconds and then go out. When the light goes out the system is armed.

NOTE: Be sure to close all doors completely. If not, the alarm indicator light will remain on. Remember, your anti-theft system is armed only after the alarm indicator light remains on steadily for approximately 30 seconds after the last door is closed, and then goes out.

You can also arm the anti-theft system with the factory installed remote entry system or the keyless entry system by following this sequence:

1. Remove the key from the ignition.
2. Close all of the doors.
3. Press the remote entry transmitter LOCK control or press the last two buttons (7/8, 9/0) of the keyless entry keypad to lock the doors. The alarm indicator will come on for 30 seconds to show the alarm is arming and then turn off to show that the alarm has armed.

The anti-theft system is designed to work with the factory installed remote entry system. It may not work with other remote entry systems.

Disarming an Untriggered Anti-Theft System

You can disarm the system by:

- unlocking a front door with the key (turn the key all the way to the end of travel or the system will not disarm).
- using the keyless entry unlock code.
- using the UNLOCK button of the remote entry transmitter.
- turning the ignition to ON or ACC.

If you armed the system while inside your vehicle, you can disarm it by turning the ignition to the ON or ACC position. This allows you to open the front door and exit without triggering the system.

Triggering the Alarm System

The armed system will be triggered if:

- any door is opened without disarming the system (see previous paragraphs), or
- the hood is opened.

Disarming a Triggered System

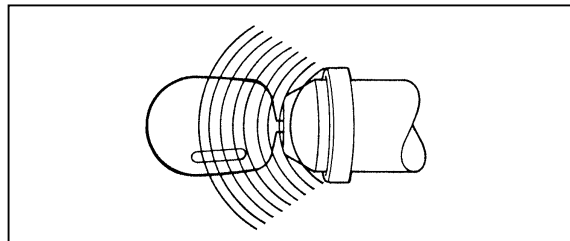
The alarm can be disarmed by:

- unlocking a front door with the key
- using the keyless entry unlock code
- using the UNLOCK control on the remote entry transmitter

NOTE: The flashing lights and honking horn will shut off automatically approximately three minutes after the system is triggered. It will trigger again if another intrusion occurs. However, the engine will not be allowed to start until the system is disarmed.

Coded Key Anti-Theft System

Your vehicle is equipped with a coded key anti-theft system, you can only use an electronically coded key to start the vehicle. During each vehicle start sequence, the coded key is read by the anti-theft system. If the key's ID code matches that in the anti-theft system, the vehicle is enabled to start. If the key's ID code does not match the anti-theft system, or if no coded key is detected, then the vehicle is not able to start. Your vehicle was equipped with two electronically coded keys. The coded ignition key is larger than normal due to the electronics located in the head of the key. Additional spare keys, maximum of eight, can be purchased either through your dealership or selected retailers. Be sure to purchase only coded keys with a Ford or Mercury logo on it to ensure proper functionality. If both supplied keys are lost or stolen, the vehicle must be brought to the dealership for re-initialization. (All keys must be brought to the dealer, if any.)



Theft Indicator

The indicator provides system proveout and operating status. The system activates the indicator when the ignition switch is placed in the ON or START position. This indicator helps to determine possible fault conditions and/or normal operating proveout. The system will illuminate the indicator for three seconds then go out to acknowledge normal operating conditions. If the indicator does not illuminate at key ON or flashes, have the system serviced.

Spare Key Programming Procedure

Two electronically coded keys were supplied with your vehicle, use one of these with the procedure below:

- Using a coded key that you can start your engine with, turn the ignition from the ON to the OFF position.
- Within 15 seconds, insert a new key into the ignition and turn it to ON or START. The vehicle does not have to be started.

If the key has been coded, the theft indicator will illuminate for two seconds. The key can then be used to start the vehicle.

Repeat until all chosen keys have been coded (max=8).

If the key coding failed, the theft indicator will flash and the vehicle cannot be started. One of 3 causes are possible:

- The new key was not inserted within 15 seconds or
- All 8 key codes have been stored or
- The key does not have an electronic code

Seating and Safety Restraints

Seats

Head Restraints

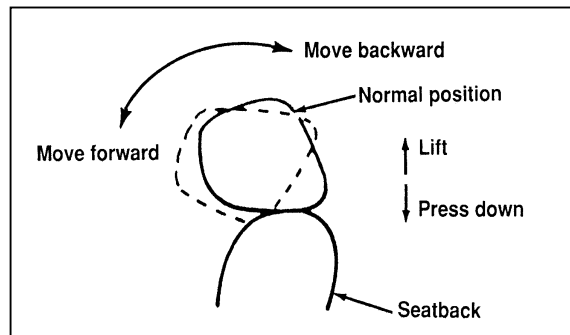
If you use them properly, head restraints will help protect your head and neck in a collision.

A head restraint should be placed as high as possible behind your head without interfering with your vision.

You can adjust the head restraints for your comfort and protection.

Four-way head restraints

Your vehicle has the four-way head restraint. You can adjust it in four directions. You can raise it two (2) inches (50 mm) from its normal position, or you can move it forward up to 60° until you reach the desired position.



The four-way head restraint

Adjusting the Seats

WARNING

Never adjust the driver's seat or seatback when the vehicle is moving.

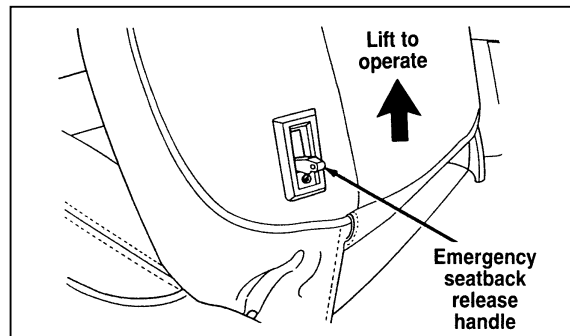
WARNING

Always drive and ride with your seatback upright and the lap belt snug and low across the hips.

WARNING

Do not pile cargo higher than the seatbacks to avoid injuring people in a collision or sudden stop.

Seatback Recline



Front seatback release lever

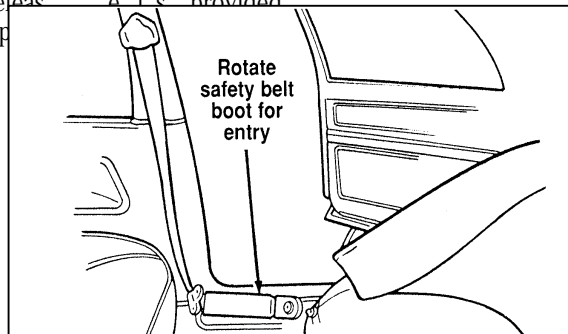
It is not necessary to use the emergency release lever for rear seat entry. Your seatback remains unlocked with no locks only during emergency stopping or on steep downhill grades. The i

latch will allow the seatback to lock to the seat approximately 5° forward before it locks. The release is provided only to unlock the seatback when parked downhill grade or after a collision.

Rear Seat Entry

WARNING

Check to see that the seat and seatback are latched securely in position. Keep floor area free of objects that would prevent proper seat engagement. Never attempt to adjust the seat while the vehicle is in motion.



Entering the rear seat

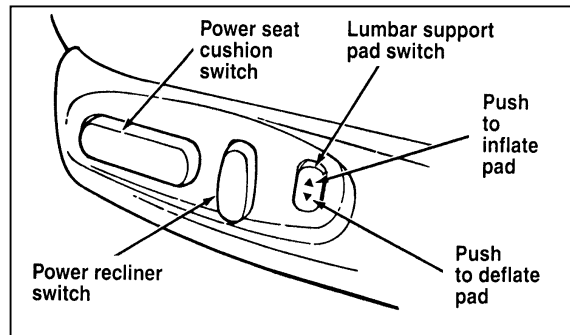
The rotating boot on the lap belt is designed to allow both rear seat entry/exit and access to the front seat passengers. To enter the rear seat:

1. Rotate the safety belt boot rearward.
2. Enter the rear seat in front of the safety belt.
3. Rotate the safety belt boot forward to allow use by the front seat passengers.

Using the Power Seats

Your vehicle's power seats can be adjusted in several directions. You can raise or lower the whole seat, move the seat forward or backward and tilt the front and back of the seat up or down.

The controls to operate the power seats are located on the outside of each front seat.



The power seat controls

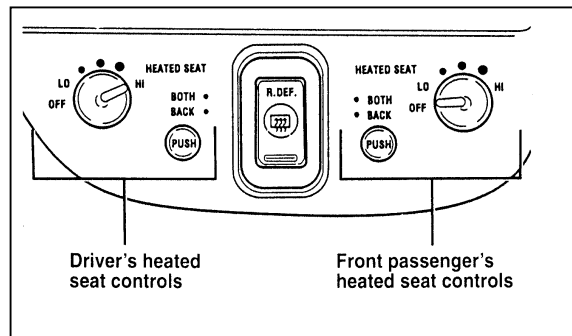
Power Lumbar Support

With this feature, you can position a lumbar support pad in the seatback.

Heated Seats (If equipped)

The driver's and front passenger's Heated Seats are controlled by the HEATED SEATS panel, which is located directly below the climate control panel. The Heated Seat System will only operate with the ignition key in the ON position and will maintain a temperature automatically once it is selected.

NOTE: Leaving the Heated Seat turned on when you shut the vehicle off will not continue to heat the seat.



The heated seat controls

To operate the Heated Seat System:

1. Select mode.
 - “Both” to heat the seat back and seat cushion
 - “Back” to heat the seat back only
2. Turn the knob to “LO” (the lowest heat level). Allow five minutes for the heat level to stabilize.
3. If the heat level is not high enough for comfort, select increased heat levels. Allow at least two minutes for the heat level to stabilize at any new level selected.
4. If the heated seat is not turned off, the seat will heat up to the selected temperature level each time the car is started.

NOTE: Cooling the seat down takes considerably longer than increasing its heat level.

Auto-Glide Seats

Auto-Glide is a feature which automatically moves the seat forward or rearward when the seatback is tilted forward or rearward to allow ease of entry into the rear seat.

NOTE: This feature can be turned off. For more information see the *Message Center Driver Settings* section in the *Instrumentation* chapter.

With the ignition OFF, the driver’s seat Auto-Glide will only function when the gearshift is in N (Neutral) or P (Park), and at least one of the vehicle’s doors is open. If the ignition is ON, Auto-Glide will function with the transmission selector in N (Neutral) or P (Park).

With the ignition OFF, the passenger seat Auto-Glide will only function when at least one of the vehicle’s doors are open. If the ignition is ON, Auto-Glide will function. However, Auto-Glide will operate while occupied during rear travel.

If the seatback is moved from its forward stop angle while the seat is traveling forward, the seat will stop. If the seatback is returned to the forward stop angle position, the seat will resume its forward travel. If the seatback is returned to its upright position, the seat will return to the original position.

If the transmission is shifted from N (Neutral) or P (Park) while the driver's seat is moving, the seat will stop where it is. Returning the gearshift to N (Neutral) or P (Park) will allow seat movement to continue. To allow movement without returning to P (Park) or N (Neutral) will require the use of the electric seat controls.

If you sit in the seat while the Auto-Glide is moving rearward, the seat will continue to move.

If the seat stalls, or if any seat switch is momentarily activated (excluding the lumbar switch) while the seat is traveling forward, the seat will stop. If the seatback is returned to its upright position, the seat will return to the position it was

at when the ease of entry cycle was started. To resume forward travel will require moving the seatback off of its forward stop angle position and returning it back to the same. Repositioning the seat at this time using the seat controls will cancel Auto-Glide.

If the ignition is off, and the last open door is closed while a seat is moving, 30 seconds will be allowed for the forward or rearward movement to be completed.

Easy Access/Easy Out (driver side only)

The easy in/easy out feature of the driver seat moves the seat two inches back when:

- the transmission is in N (Neutral) or P (Park)
- the driver safety belt is buckled
- the ignition switch is turned to OFF.

The easy in/easy out feature of the driver seat moves the seat two inches forward when:

- the transmission is in N (Neutral) or P (Park)
- the driver safety belt is buckled
- the ignition switch is turned to ON.

Important Safety Belt Information

The use of safety belts helps to restrain you and your passengers in case of a collision. In most states and in Canada, the law requires their use.

Safety belts provide best restraint when:

- the seatback is upright
- the occupant is sitting upright (not slouched)
- the lap belt is snug and low on the hips

- the shoulder belt is snug against the chest
- the knees are straight forward

To help you remember to fasten your safety belt, a warning light may come on and a chime may sound. See *Safety Belt Warning Light and Chime* in the *Instrumentation* chapter.

See the following sections in this chapter for directions on how to properly use these safety belts. Also see *Safety Restraints for Children* in this chapter for special instructions about using safety belts for children.

WARNING

It is extremely dangerous to ride in a cargo area, inside or outside of a vehicle. In a collision, people riding in these areas are more likely to be seriously injured or killed. Do not allow people to ride in any area of your vehicle that is not equipped with seats and safety belts. Be sure everyone in your vehicle is in a seat and using a safety belt properly.

WARNING

Always drive and ride with your seatback upright and the lap belt snug and low across the hips.

WARNING

Each seating position in your vehicle has a specific safety belt assembly which is made up of one buckle and one tongue that are designed to be used as a pair. 1) Use the shoulder belt on the outside shoulder only. Never wear the shoulder belt under the arm. 2) Never swing it around your neck over the inside shoulder. 3) Never use a single belt for more than one person.

WARNING

Ford recommends that all safety belt assemblies and attaching hardware should be inspected by a qualified technician after any collision. Safety belt assemblies not in use during a collision should also be inspected and replaced if either damage or improper operation is noted.

WARNING

Children should always ride with the seatback in the fully upright position.

WARNING

Never let a passenger hold a child on his or her lap while the vehicle is moving. The passenger cannot protect the child from injury in a collision.

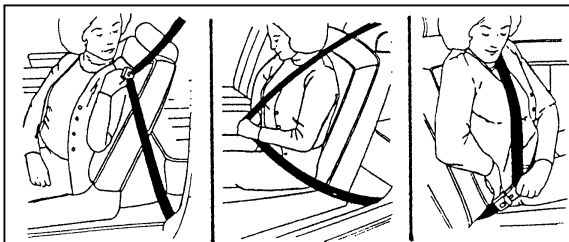
WARNING

Lock the doors of your vehicle before driving to lessen the risk of the door coming open in a collision.

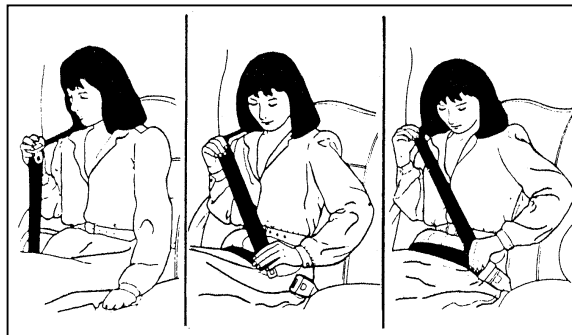
Combination Lap and Shoulder Belts

While your vehicle is in motion, the lap and shoulder belt adjusters should be locked. However, if you brake hard, come to a stop, or your vehicle receives an impact of 5 mph or more, the lap and shoulder belt adjusters will automatically lock to reduce your forward movement.

After you get into your vehicle, close the door and lock it. Then adjust the seat to the position that suits you best.



Fastening the combination lap and shoulder belt

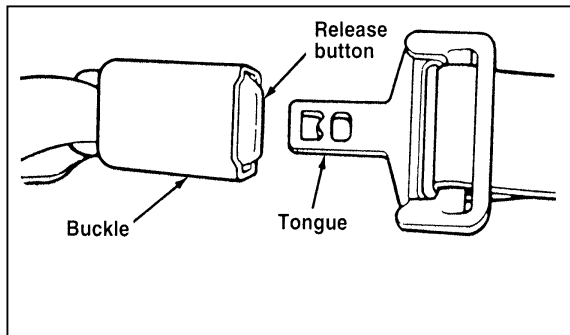


Fastening the rear seat lap and shoulder belt

NOTE: Be sure to read and understand ***Important Safety Belt Information*** in this chapter.

To adjust the lap part of the belt, pull up on the shoulder belt until the lap belt fits snugly and as low as possible around your hips.

While the belt retracts, guide the tongue to its original position to prevent it from striking you or the vehicle.



Unfastening the lap/shoulder belts

Right Front or Rear Window Seating Positions

Your vehicle is equipped with a dual locking mode retractor on the shoulder belt portion of the combination lap/shoulder safety belt for front seat passenger and rear outboard passengers.

Dual locking mode retractors operate in two ways:

Vehicle sensitive (emergency) locking mode

In this operating mode, the shoulder belt retractor will allow the occupant freedom of movement, locking tight only on hard braking, hard cornering or impacts of approximately 5 mph (8 km/h) or more. The retractor can also be made to lock by pulling the belt out quickly.

Automatic locking mode

In this operating mode, the shoulder 2. r bel t p retractor, should r portio n o
will be automaticall y locke d and wil l remain locked l al l of th e bel t i
when th e combinatio n lap/shoulder safety y bel t is heard . At thi s time ,
buckled , and doe s no t allo w th e occupan t et freedom c lockin g mode (chil
of movement . Thi s mode provide s th e following:

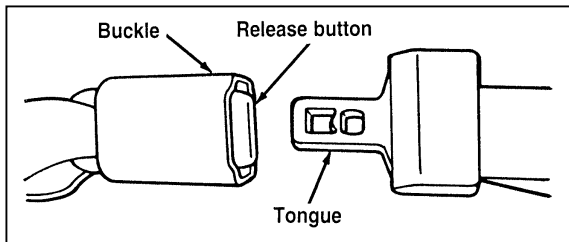
- A tight lap/shoulder bel t on th e occupan t g soun d wil l continu e
- Child seat installatio n restraint. th e bel t is allowe d to retract.

WARNING

Rear-facing child seats or infant carriers should never be placed in the front seats.

NOTE When th e combinatio n lap/shoulder
unbuckle d and allowe d to retrac t
retractor wil l switc h to th e vehicl
(emergency) lockin g mode . See th e
instruction *Safety Seats for Children* in thi s
chapter.

This mode mus t be use d when installin g a child
seat on th e fron t pasenge r seat and rea r window
seat s wher e dual lockin g retractor Th e lar g e bel t is provide d in th e cente r of th e
switc h th e retractor r fro m th e emergency lockin g
mode to th e automati c lockin g mode d perfo rm th e possibl e aroun d your
followin g steps: wear it aroun d your waist.



Unfastening the center rear lap safety belt

NOTE: Be sure to read and understand *Important Safety Belt Information* in this chapter.

Pull the belt across your hips and insert the tongue into the correct buckle on your seat until you hear a snap and feel it lock. Make sure the buckle is securely fastened.

If you need to lengthen the belt, unfasten it and tip the belt tongue at a right angle to the belt. Pull the belt tongue over your lap until it reaches the buckle.

If you need to shorten the belt, pull on the loose end of the webbing until the belt fits snugly.

To unfasten the belt, push the release button on the buckle. This allows the tongue to unlatch from the buckle.

Safety Belt Extension Assembly

For some people, the safety belt may be too short even when it is fully extended. You can add about eight inches (20 cm) to the belt length with a safety belt extension assembly (part number 611C22). Safety belt extensions are available at no cost from your dealer.

Use only extensions manufactured by the same supplier as the safety belt. Manufacturer identification is located at the end of the webbing on the label. Also, use the safety belt extension only if the safety belt is too short for you when fully extended. Do not use extension to change the fit of the shoulder belt across the torso.

WARNING

Failure to follow these instructions will affect the performance of the safety belts and increase the risk of personal injury.

Safety Belt Maintenance

Check the safety belt system periodically to make sure that the work properly and are not damaged.

All safety belt assemblies, including tractor buckles, front seat belt buckles (slide bar) (if equipped), adjusters (if equipped), bracket assemblies (if equipped) hardware, should be inspected after use. For recommendations that all safety belts use in vehicle involve in a collision

However, if the collision was minor, technicians find that the belts and continue to operate properly, to be replaced. Safety belt assemblies during a collision should also be replaced if either damaged or improperly noted.

Air Bag Supplemental Restraint System (SRS)

Important Air Bag Precautions

Tractor assemblies equipped with a supplemental restraint system designed to work with either a seat belt or other protection and attaching in the event of a collision. Supplemental Restraint System is a certain upper body injuries. be replaced.

WARNING

All occupants of the vehicle, including the driver, should always wear their safety belts, failure to do so may increase the risk of personal injury in the event of a collision.

WARNING

The right front passenger air bag is not designed to restrain occupants in the center front seating position.

WARNING

Do not place objects or mount equipment on or near the air bag covers that may come into contact with an inflating air bag. Failure to follow these instructions may increase the risk of personal injury in the event of a collision.

WARNING

Do not attempt to service, repair, or modify the air bag Supplemental Restraint System or its fuses. See your Ford or Lincoln-Mercury dealer.

the burnt propellant. This is normal. The main component of cornstarch is hydroxycarbons. This is used to lubricate the air bag. Compounds, such as sodium carbonate (soda ash) that result from the combustion of the air bag. Small amounts of hydroxide may be present which may irritate skin and eyes, but none of the residue. Air Bag Supplemental Restraint System but not eliminate all injuries.

WARNING

Several air bag system components get hot after inflation. Do not try to touch them after inflation.

WARNING

The air bag will inflate only once. The system is designed to function on a one-time only basis. If the air bag is inflated, THE AIR BAG WILL NOT FUNCTION AGAIN AND MUST BE REPLACED IMMEDIATELY. If the air bag is not replaced, this will increase the risk of injury in a subsequent collision.

The Air Bag Supplemental Restraint System consists of:

- driver and passenger air bag modules including the inflator sensors and air bag
- one or more impact and safing sensors
- a system diagnostic module,
- a readiness signal and tone,

-
- and the electrical wiring which connects the components.

The diagnostic module monitors its own circuits, the air bag electrical system, the air bag readiness light, the air bag power, and the air bag inflators.

Determining if System Is Operational

The Air Bag Supplemental Restraint System uses a readiness light and a tone to indicate the condition of the system. The readiness light is in the instrument cluster. When you turn the ignition key to ON, this light will illuminate for approximately six (6) seconds and then turn off. This indicates that the system is operating normally. NOTE: Routine maintenance of the air bag system is not required.

A problem with the system is indicated by one or more of the following:

- the readiness light will either flash or stay lit,
- the readiness light will not light immediately after ignition is turned on,
- a group of five beeps will be heard. The tone pattern will repeat periodically until the problem and light are repaired.

If any of these things happen, even intermittently, have the Air Bag Supplemental Restraint System serviced at your Ford or Lincoln-Mercury dealer immediately. Unless serviced, the system may not function properly in the event of a collision.

Disposal of Air Bags and Air Bag Equipped Vehicles

For disposal of air bags or air bag equipped vehicles, see your local Ford or Lincoln-Mercury dealer. Air bags MUST BE disposed of by qualified personnel.

Safety Restraint for Children

In the U.S. and Canada, you are required by law to use safety restraint seats for children riding in your vehicle — this generally includes children who are four years old or younger and who weigh 40 pounds (18 kg) or less. You must put the minimum safety seats that are made especially for children. Safety belts alone do not provide the maximum protection for these children. When possible, put children in the local and state laws for specific vehicle requirements. Check your vehicle's accident statistics and safety requirements. Properly restrained children in position seats in the front seat are

WARNING

Never let a passenger hold a child on his or her lap while the vehicle is moving. The passenger cannot protect the child from injury in a collision.

WARNING

Cargo should always be secured to prevent it from shifting and causing damage to the vehicle or harm to passengers.

WARNING

Carefully follow all of the manufacturer's instructions included with the safety seat you put in your vehicle. If you do not install and use the safety seat properly, the child may be injured in a sudden stop or collision.

WARNING

Safety belts and seats can become hot in a vehicle that has been closed up in sunny weather; they could burn a small child. Check seat covers and buckles before you place a child anywhere near them.

WARNING

Do not leave children, unreliable adults, or pets unattended in your vehicle.

Safety Seats for Children

Use a safety seat that is recommended and weight of the child. Always follow seat manufacturer's instructions using the safety seat.

For d recommend s the use of a child havin g a top teth er strap . Instal seat in a seatin g positio n whic h providin g a teth er anchorage . Fo on to p teth er ~~straps~~ *Safety Seats With Tether Straps* in thi s chapter.

Whe n installin g a child safet y seat th e correc t safet y bel t buckl e fo positio n , an d mak e sur e th e tongu fastene d in th e buckl e . Fo r a shoul combinatio n wit h a slidin g tongu retracto r is in th e automati c lock

WARNING

Rear-facing child seats or infant carriers should never be placed in the front seats.

WARNING

When using forward-facing child seats move the passenger seat as far back from the instrument panel as possible. Never secure rear-facing child seats or infant carriers in the front seat.

WARNING

If you do not properly secure the safety seat, the child occupying the seat may be injured during a collision or sudden stop. An unsecured safety seat could also injure other passengers.

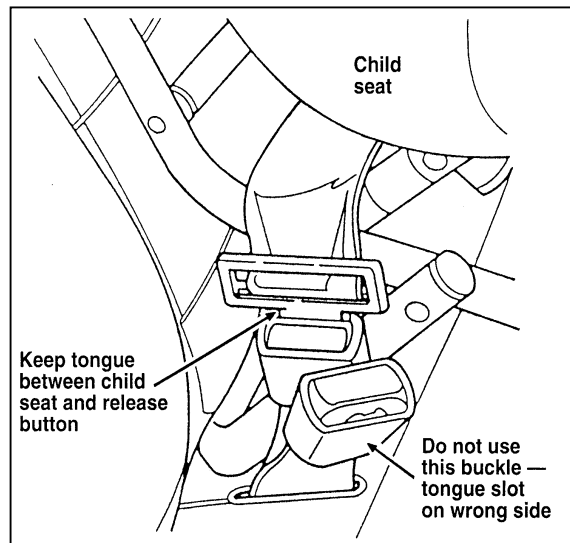
WARNING

Carefully follow all of the manufacturer's instructions included with the safety seat you put in your vehicle. If you do not install and use the safety seat properly, the child may be injured in a sudden stop or collision.

All child restraint systems are designed to be used in vehicles with a lap-shoulder belt. Do not use a child restraint system in a vehicle with only a lap belt.

WARNING

Always keep the buckle release button pointing upward and away from the child seat, with the tongue between the child seat and the release button as shown in the following illustration.



Safety belt buckle placement for child seats

WARNING

Carefully follow all of the manufacturer's instructions included with the safety seat you put in your vehicle. If you do not install and use the safety seat properly, the child may be injured in a sudden stop or collision.

Installing Child Safety Seats in the Front Seat and Rear Window Passenger Seating Positions

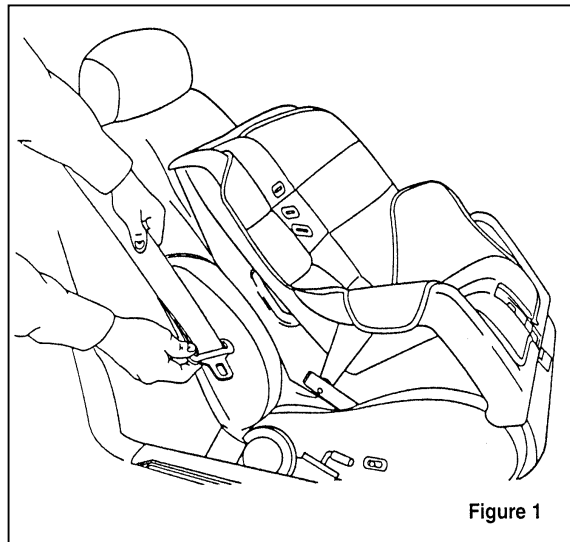
Your vehicle is equipped with a dual retractable or on the shoulder belt combination lap/shoulder belt for passenger and a dual-locking mode for rear window passengers.

If you choose to install a forward-facing seat in the front seating positions as far back as possible.

For seating positions equipped with mode retractors, use the following:

1. Position the child seat in center seating position.

-
- 2. Pull down on shoulder belt, then grasp shoulder belt and lap belt together. See Figure 1.



-
3. While holding the shoulder and lap belt portions together, route the tongue through the child seat according to the child seat manufacturer's instructions. See Figure 2. Be sure that the belt webbing is not twisted.

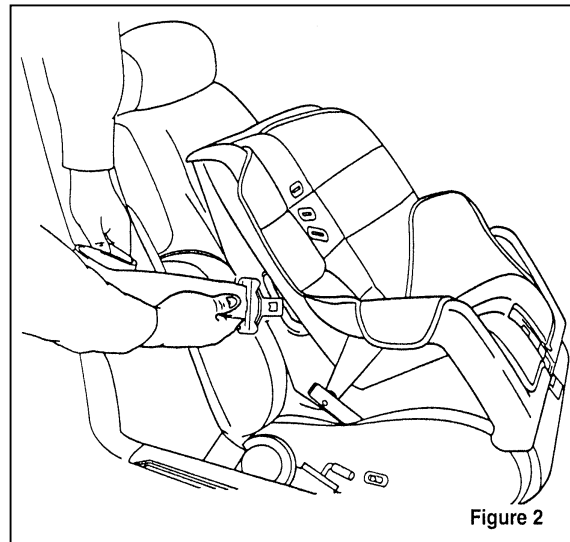
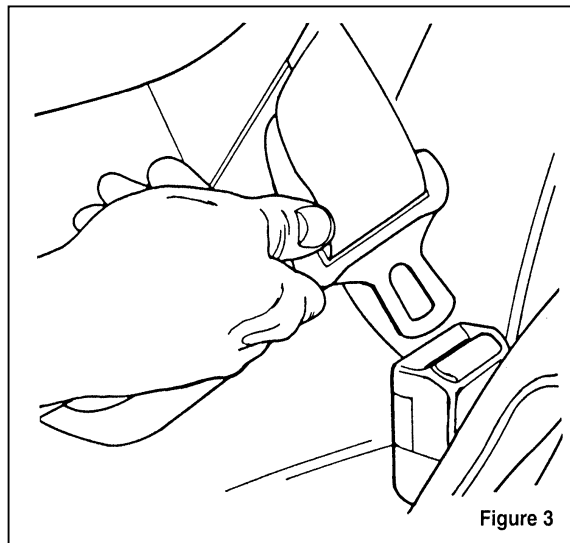


Figure 2

Routing the lap/shoulder belt

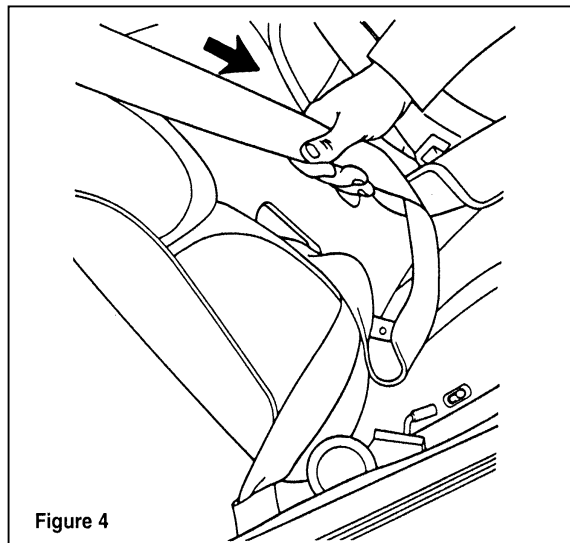
-
4. Insert the belt tongue into the proper buckle for that seating position until you hear and feel the latch engage. See Figure 3. Make sure tongue is latched securely to buckle by pulling on tongue.



Buckling the belt.

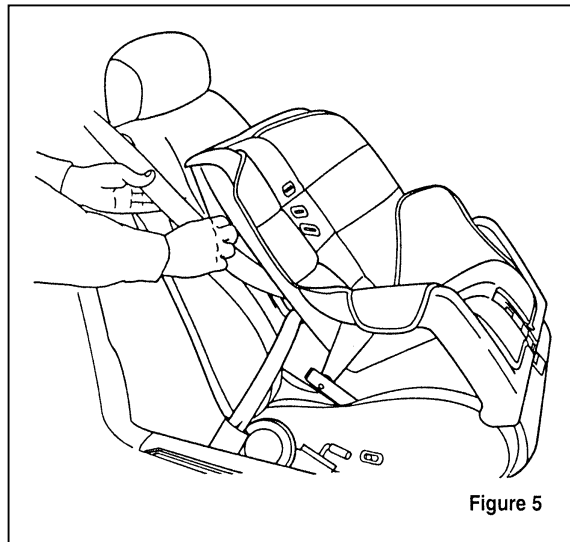
-
5. Grasp the shoulder portion of the belt and pull downward until all of the belt is extracted and a click is heard. At this time, the retractor is in the automatic locking mode (child restraint mode). See Figure 4.

NOTE: The dual locking mode retractor must be in the automatic locking mode to properly restrain a child seat.



Setting the retractor to automatic locking mode

-
6. Allow the belt to retract. A clicking sound will be heard as the belt retracts. This indicates the retractor is in the automatic locking mode. Pull on the lap belt portion across the child seat towards the buckle and continue to pull up on the shoulder belt portion while pushing down on the child seat allowing the shoulder belt to retract to remove any slack in the seat belt. See Figures 5 and 6.



Push down on child
safety seat while
pulling up on the
shoulder belt webbing

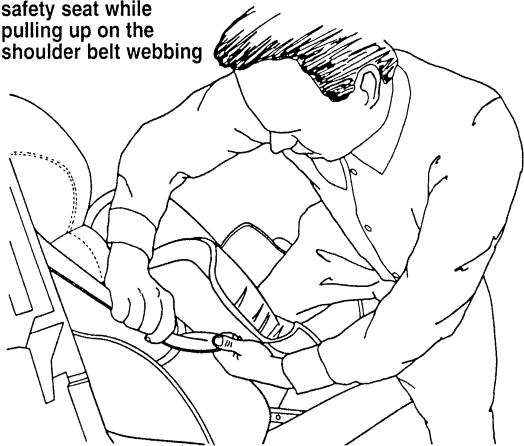
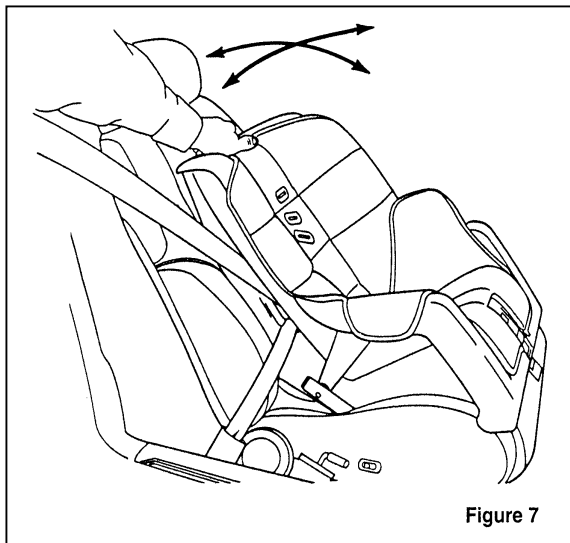


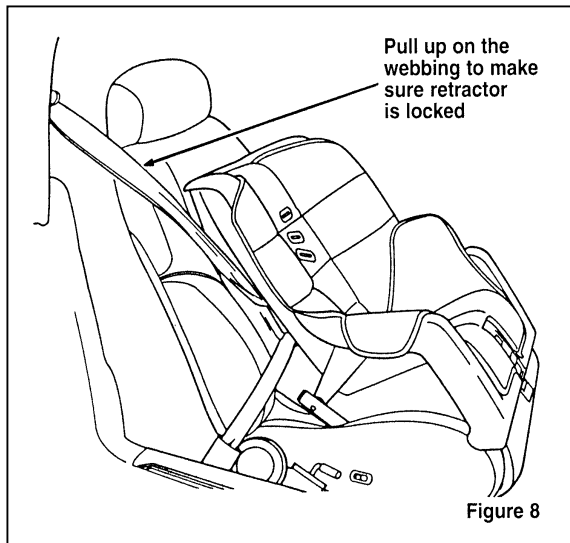
Figure 6

7. Before placing the child in the child seat, forcibly tilt the seat from side to side and in forward directions to make sure that the seat is securely held in place. See Figure 7.



Checking that the seat is secure

8. Double check that the retractor is in the automatic locking mode. Try to pull more belt out of the retractor. If you cannot, the belt is in the automatic locking mode. See Figure 8.



Checking the retractor

9. Check to make sure that the child seat is properly secured prior to each use. If the retractor is not locked, repeat steps 6 through 8.

NOTE: To remove the retractor from automatic lock mode, allow seat belt to retract fully to its stowed position and the retractor will automatically switch back to the vehicle sensitive locking mode for normal adult usage.

Attaching Safety Seats With Tether Straps

Some manufacturers make safety seats that include a tether strap that goes over the back of the vehicle seat and attaches to an anchoring point. Other manufacturers offer the tether strap as an accessory. Contact the manufacturer of your child safety seat for information about ordering a tether strap.

Tether anchorage hardware

Attachment holes (at each rear outboard seating position) have been provided in your vehicle to allow attachment of the tether anchorage hardware, if required. The tether anchorage hardware kit (part number 613D74) includes the instructions, which may be obtained at no charge from any Ford or Lincoln-Mercury dealer. All vehicles built for sale in Canada include a tether anchorage hardware kit.

Safety Belts for Children

Children who are too large for child safety seats should always wear safety belts. (See instructions with your child seat, or contact the manufacturer to determine the maximum size of child that will safely fit in the seat.)

WARNING

If safety belts are not properly worn and adjusted as described, the risk of serious injury to the child in a collision will be much greater.

All vehicles built after 10/1/95 include a tether anchorage hardware kit. If the shoulder belt portion of the seat belt cannot be positioned in front of the child's face or neck, the child must wear the lap/shoulder belt. Moving the child to a rear seat may help. (See instructions for belt fit.)

To improve the fit of lap and shoulder belt
 children who have outgrown child safety seats
 recommend use of a belt-positioning
 that is labeled as conforming to
 vehicle safety standards. Belt-positioning
 seats raise the child and provide a
 seat cushion that encourages
 and better fit of lap and shoulder
 A belt-positioning booster should
 shoulder belt rest in front of the child's
 neck, or if the lap belt does not fit
 thighs, or if the thighs are too
 sit all the way back on the seat cushion.
 Lower legs hang over the edge of the seat cushion.
 You may wish to discuss the specific needs of your
 child with your pediatrician.

WARNING
 Do not use a belt-positioning booster
 with a Flap only belt

A booster seat should always be used
 with a high back child seat

**Children should always ride with the
 seatback in the fully upright position.**

Starting

Fuel-Injected Engines

When starting a fuel-injected engine, **the most important thing to remember is to avoid pressing down on the accelerator before or during starting.** Only use the accelerator when you have problems getting your vehicle started. See *Starting Your Engine* in this chapter for details about when to use the accelerator while you start your vehicle.

Starting Your Vehicle

Preparing to Start Your Vehicle

| WARNING |
|--|
| Do not start your vehicle in a closed garage or in other enclosed areas. Exhaust fumes can be toxic. Always open the garage door before you start the engine. |

Before you start your vehicle, do the following:

1. Make sure all occupants in the vehicle buckle their safety belts. See *Safety Restraints* in the Index for more details.
2. Make sure the headlamps and other accessories are turned off when starting.

-
3. Make sure that the gearshift is in P (Park) and the parking brake is set before you turn the key.

Before you start your vehicle, you should test the warning lights on the instrument panel to make sure that they work. Refer to the *Instrumentation* chapter.

Starting Your Engine

To start your engine:

1. Follow the steps under *Preparing to Start Your Vehicle* at the beginning of this section.
2. Turn the ignition key to the ON position.
3. DO NOT depress the accelerator pedal when starting your engine. DO NOT use the accelerator while the vehicle is parked.
4. Turn the key to the START position (cranking) until the engine starts. Allow the key to return to the ON position after the engine has started.

For a cold engine:

- At temperatures **10°F (-12°C) and below:** If the engine does not start in **fifteen (15) seconds** on the first try, turn the key to OFF, wait approximately ten (10) seconds so you do not flood the engine, then try again.
- At temperatures **above 10°F (-12°C):** If the engine does not start in **five (5) seconds** on the first try, turn the key to OFF, wait approximately ten (10) seconds so you do not flood the engine, then try again.

For a warm engine:

- Do not hold the key in the START position for more than **five (5) seconds** at a time. If the engine does not start within five (5) seconds on the first try, turn the key to the OFF position. Wait a few seconds after the starter stops, then try again.

Whenever you start your vehicle, release the key as soon as the engine starts. Excessive cranking could damage the starter.

After you start the engine, let it idle for a few seconds. Keep your foot on the brake pedal and put the gearshift lever in gear. Release the parking brake. Slowly release the brake pedal and drive away in the normal manner.

NOTE: Your vehicle has an interlock that prevents you from shifting out of P (Park) unless your foot is on the brake pedal.

If the engine does not start after two attempts:

1. Turn the ignition key to the OFF position.
2. Press the accelerator all the way to the floor and hold it.
3. Turn the ignition key to the START position.

4. Release the ignition key when the engine starts.
5. Release the accelerator gradually as the engine speeds up.

If the engine still does not start, the fuel pump shut-off switch may have been activated. For directions on how to reset the switch see *Fuel Pump Shut-Off Switch* in the index.

A computer system controls the engine's idle speed. When you start your vehicle, the engine's idle speed normally runs higher than when it is warmed up. These faster engine speeds will make your vehicle move slightly faster than its normal idle speed. It should, however, slow down after a short time. If it does not, have the idle speed checked.

If the engine idle speed does not slow down automatically, do not allow your vehicle to idle for more than 10 minutes. Have the vehicle checked.

| |
|----------------|
| WARNING |
|----------------|

| |
|--|
| Extended idling at high engine speeds can produce very high temperatures in the engine and exhaust system, creating the risk of fire or other damage. |
|--|

| |
|----------------|
| WARNING |
|----------------|

| |
|---|
| Do not park, idle, or drive your vehicle in dry grass or other dry ground cover. The emission system heats up the engine compartment and exhaust system, which can start a fire. |
|---|

Engine Block Heater (If equipped)

Engine block heaters are strongly recommended if you live in a region where temperatures react (F (-23°C) or below. An engine block heater warms the engine coolant, which improves starting, warms up the engine faster, and allows the heater-defrost system to respond quickly.

To turn the heater on, simply plug it into a grounded 110-volt outlet. Ford recommends that you use a 110-volt circuit that is protected by a ground fault circuit interrupter.

| |
|----------------|
| WARNING |
|----------------|

| |
|--|
| To prevent electrical shock, do not use your heater with ungrounded electrical systems or two-pronged (cheater) adapters. |
|--|

For best results, plug the heater in at least three hours before you start your vehicle. Using the heater for longer than three hours will not damage the engine, so you can plug it in at night to start your vehicle the following morning.

Pushing

Vehicles with automatic transmissions cannot be started by pushing. Follow the directions under *Your Vehicle Needs a Jump-Start* in the *Roadside Emergencies* Chapter.

Guarding Against Exhaust Fumes

Carbon monoxide, although colorless and odorless, is present in exhaust fumes. Take precautions to avoid its dangerous effects.

| WARNING |
|--|
| Do not start your vehicle in a closed garage or in other enclosed areas. Exhaust fumes can be toxic. Always open the garage door before you start the engine. |

| WARNING |
|--|
| If you smell exhaust fumes inside your vehicle, have your dealer inspect your vehicle immediately. Do not drive if you smell exhaust fumes. |

Have the exhaust and body ventilation systems checked whenever:

- your vehicle is raised for service
- the sound of the exhaust system changes
- your vehicle has been damaged in a collision

Improve your ventilation by keeping all air inlet vents clear of snow, leaves, and other debris.

If the engine is idling while you are stopped in an open area for long periods of time, open the windows at least one inch (2.5 cm). Also, adjust the heating or air conditioning system to bring in outside air.

If you use the Electronic Automatic Climate Control, set the fan speed selector dial to a medium or high blower speed with the VENT or PNL-FLR function buttons pressed.

Driving

Brakes

Applying the Brakes

Your vehicle has anti-lock disc brakes on all four wheels. They adjust automatically as the brake pads wear down.

When you press down hard on the brake pedal, the wheels will not lock and slide. The Anti-Lock Brake System (ABS) automatically starts releasing and reapplying the brakes at each wheel independently whenever your wheels start to lock. When this happens, you will feel the brake pedal pulsate. This is an indication that the ABS is working correctly and is normal.

Do not drive with your foot resting on the brake pedal; you will wear out the linings and increase your vehicle's stopping distance. Brake rotor damage may also eventually occur.

NOTE: If you are driving down a long or steep hill, shift to a lower gear and do not apply your brakes continuously. If you apply your brakes continuously, they may overheat and become less effective.

Occasional brake squeal during light to moderate stops does not affect the function of the brake system and is normal. However, if the squeal becomes louder or more frequent, have your brakes inspected by your dealer or a qualified service technician.

Ford Motor Company has not found any detrimental effects of popular mobile radio transmitting equipment installed on vehicles with the anti-lock brake system, if the equipment is installed according to the manufacturer's instructions. However, if mobile radio transmitting equipment is installed in your vehicle and, if either the anti-lock brake system cycles or the ANTI-LOCK

light comes on at any time other than right after you turn the key to the ON position or during a sudden stop, have your mobile radio dealer inspect the installation.

Parking Brake and Auto-Release Parking Brake

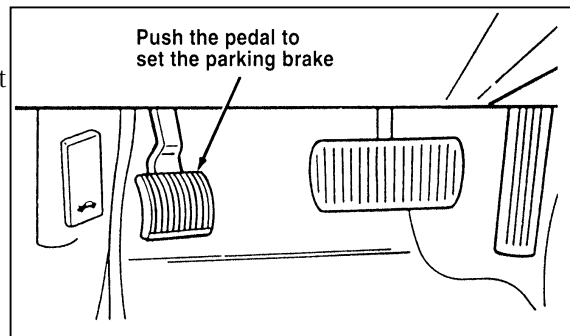
The parking brake should be used whenever you park your vehicle.

The parking brake is suspended just below the lower left corner of the instrument panel.

To set the parking brake:

1. Move the gearshifter to P (Park).
2. Push the parking brake pedal down firmly and fully with your left foot.

The Brake System Light in the warning lights will glow once the parking brake is set.



The parking brake

WARNING

Always set the parking brake fully and make sure the gearshift is latched in P (Park). Turn off the ignition whenever you leave your vehicle.

| |
|----------------|
| WARNING |
|----------------|

| |
|--|
| If the parking brake is fully released, but the Brake System light remains on, have the brakes checked immediately. They may not be working properly. |
|--|

| |
|----------------|
| WARNING |
|----------------|

| |
|--|
| To prevent personal injury, do not release the parking brake while outside the vehicle. |
|--|

To disengage the parking brake:

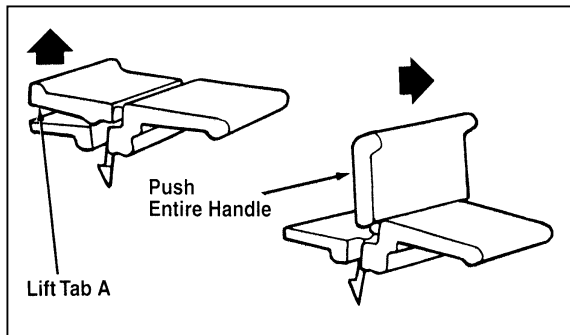
1. The ignition key must be in the RUN position.
2. The engine must be running.
3. The brake pedal is pressed.

4. The gearshifter must be in the P (Park) position . Move the gearshifter into either R (Reverse) or one of the forward gears D (Overdrive) , 2 (Second) , or 1 (First) . The brake pedal must remain pressed while the gearshifter is moved.

After the parking brake has been released the Brake System Light will be turned off.

If the parking brake fails to release after completing the above procedure use the manual parking brake release lever to release the parking brake . The manual parking brake release lever is located on the floor between the driver's seat and the door.

To release the parking brake with the manual release lift up Tab A and push rearward.



Manual parking brake release lever

The parking brake is not designed to stop a moving vehicle, but you can use the parking brake to stop your vehicle in an emergency if the normal brakes fail. However, since the parking brake applies only the rear brakes, the stopping distance will increase greatly and the handling of your vehicle will be adversely affected.

Always check the Brake Warning Light each time you start your engine. Driving with the parking brake on will cause the brakes to wear out quickly and will reduce the fuel economy.

Traction Control™ (If equipped)

Your vehicle may be equipped with the optional Traction Control™ system. This system helps prevent wheel spin in order to improve tire traction and is an especially useful feature when you drive in hilly areas or on slippery, icy or snowy roads.

When the Traction Control system is controlling wheelspin, an electric motor sound may be heard from the engine compartment and engine acceleration may seem slower. This is normal.

Traction Control™ works automatically by rapidly applying and releasing the brakes and reducing engine torque to prevent one or both of the rear drive wheels from spinning during acceleration.

NOTE: Engine torque reduction is **NOT** active when engine coolant temperature is below -10°F (-23°C).

During the Traction Control™ function, which most often occurs during low speed acceleration on slippery surfaces, a noise may be heard coming from the engine compartment. This is normal and may last for a few seconds during the acceleration of the vehicle.

In general, this system improves your vehicle's stability and acceleration performance when road conditions warrant. Traction Control™ is fully effective at all vehicle speeds.

If the Traction Control™ system is cycled excessively, the brake portion of the system will shut down to prevent the rear brakes from overheating. A limited Traction Control™ function using engine torque will still control wheels from spinning. A cooling down period is required to prevent damage to the brakes. This time period

varies and depends on brake usage during the cooling down period. Anti-Lock braking is not affected and will function normally during the cool down period.

After the cool down period, the full Traction Control™ function is restored.

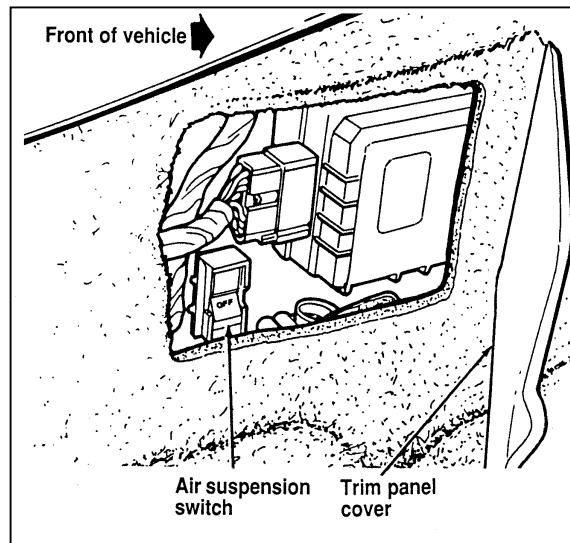
Air Suspension System

Your vehicle is equipped with an automatic load leveling air suspension system. This system maintains the vehicle height at a constant level by automatically adding air or releasing air from the air springs to offset changes in vehicle loads.

A shutoff switch is located in the trunk behind the left hand vertical trim panel. If this switch is in the OFF position, the automatic leveling system will not operate. The switch should be OFF whenever jacking up the vehicle. "AIR RIDE SWITCH OFF" will appear in the Message Center when the

ignition switch is in the ON position and the shutoff switch is in the OFF position. "CHECK AIR RIDE" will appear when a system fault has been detected and the ignition switch is in the ON position.

Normal vehicle operation does not require any action by the driver.



The air suspension switch — located behind the left-hand vertical trim panel in the trunk

NOTE: If the temperature drops overnight, the vehicle may appear low because the air in the air spring contracts. This is normal! The vehicle will return to regular height soon after the vehicle is started.

Steering Your Vehicle

Your vehicle comes with power steering. Power steering uses energy from the engine to help steer your vehicle.

The steering system in your vehicle is speed sensitive. This means that the steering effort is light for parking and heavier for highway driving. However, if you have to swerve around an object or another vehicle, your steering will have full power assist.

Never hold the steering wheel to the extreme right or left for more than five seconds if the engine is running. This can damage the power steering pump.

If the amount of effort needed to steer your vehicle changes at a constant vehicle speed, have the power steering system checked. If the power steering system breaks down (or if the engine is turned off), you can steer the vehicle manually but it takes more effort.

Driving with an Automatic Overdrive Transmission

The automatic overdrive transmission operates very much like a regular automatic transmission, except it offers the extra overdrive feature.

Putting Your Vehicle in Gear

| WARNING |
|--|
| Hold the brake pedal down while you move the gearshift lever from position to position. If you do not hold the brake pedal down, your vehicle may move unexpectedly and injure someone. |

To move the shifter out of P (Park), the ignition key must be turned to the ON position. This vehicle is also equipped with the brake shift interlock safety feature which prevents shifting the transmission out of the P (Park) position without the brake pedal being depressed if the key is in the ON position.

To operate:

1. Start the engine.
2. Depress and hold the brake pedal.
3. Move the gearshift lever out of P (Park).

Your vehicle is equipped with a Brake Shift Interlock safety feature. This feature prevents the gearshift from being moved from the P (Park) position until the brake pedal is depressed. This

feature is active when the ignition is in the ON position. If the gearshift lever CANNOT be moved from P (Park) with the brake pedal depressed:

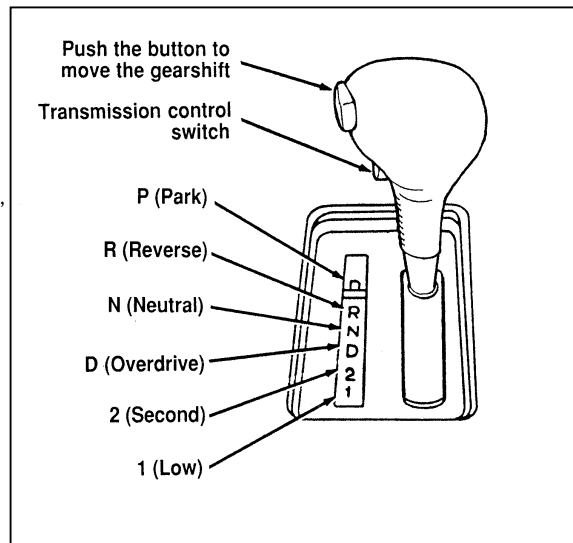
1. Turn the engine off and remove the ignition key.
2. Apply parking brake.
3. Reinsert the ignition key and turn clockwise to the first position.
4. Depress the brake pedal, move the gearshift lever to N (Neutral) and start the engine.

If you need to shift out of P (Park) by using the alternate procedure described above, it is possible that a fuse has blown and that your brakelamps may also not be functional. Please refer to the *Servicing Your Mark VIII* chapter for instructions on checking and replacing fuses.

WARNING

**DO NOT DRIVE YOUR VEHICLE
UNTIL YOU VERIFY THAT THE
BRAKELAMPS ARE WORKING.**

Once you place the gearshift securely into position, gradually release the brake pedal and use the accelerator as necessary.



The positions of the console-mounted gearshift

R (Reverse)

With the gearshift in the R (Reverse) position, the vehicle will move backward. You should always come to a complete stop before shifting into or out of R (Reverse).

N (Neutral)

With the gearshift in the N (Neutral) position, the vehicle can be started and is free to roll. Hold the brake pedal down while in this position.

Driving

Your vehicle's gearshift is console-mounted on the floor. The Transmission Control Switch (TCS) is located on the gearshift handle. The Transmission Control Indicator Light is located on the instrument panel. You can put the gearshift lever in any of the several positions.

The O/D OFF light is off (not illuminated) during normal vehicle operation. This allows the transmission to upshift and downshift from 1st through 4th gears. When the TCS is pressed, the Transmission Control Indicator Light will illuminate (O/D OFF) on the instrument panel. When this O/D OFF is illuminated, the transmission will upshift and downshift from 1st through 3rd gears.

If O/D OFF light does not come "ON" when TCS is depressed or if the light flashes when you are driving, have your vehicle serviced at the first opportunity. If this condition persists, damage could occur to the transmission.

To return the transmission to normal operation (1st through 4th gear) depress the TCS again. This switch may be used to cancel overdrive any time the vehicle is being driven. Each time your vehicle is started, the overdrive system will automatically be in the normal overdrive mode and the light will not be illuminated.

When to use D (Overdrive)

Overdrive is the usual driving position for an automatic overdrive transmission. It works the same way Drive works, automatically upshifting or downshifting as the vehicle speeds or slows.

However, Overdrive also shifts into a fourth gear — an overdrive gear — when your vehicle cruises at an appropriate consistent speed for any length of time. This fourth gear will increase your fuel economy when you travel at cruising speeds.

When to use Drive (D — with Transmission Control Switch activated)

Overdrive may not be appropriate for certain terrain. If the transmission shifts back and forth between Third and Fourth gears while you are driving on hilly roads or if your vehicle does not have adequate power for climbing hills, depress the TCS.

You can depress the TCS at any speed.

When to use 2 (Second)

Use 2 (Second) for start-up on slippery roads or to give you more engine braking to slow your vehicle on downgrades.

When to use 1 (Low)

Use 1 (Low) when driving down steep grades. It gives more engine braking to slow your vehicle than 2 (Second) on the downgrades. You can upshift from 1 (Low) to 2 (Second) or from 1 (Low) to Overdrive at any speed.

P (Park)

Always come to a complete stop before you shift into P (Park). Make sure that the gearshift is securely latched in P (Park). This locks the transmission and prevents the rear wheels from rotating.

Always set the parking brake fully and make sure the gearshift is latched in P (Park). Turn off the ignition whenever you leave your vehicle.

You can tell a console-mounted gearshift is securely latched in P (Park) if the lever is adjacent to the (Park) and you cannot move it without pushing in the thumb button.

WARNING

Never leave your vehicle unattended while it is running.

Driving With a Heavy Load

There are limits to the amount of weight your vehicle can carry or tow. The total weight of your vehicle, plus the weight of the passengers and cargo, should never be more than the Gross Vehicle Weight Rating (GVWR). Also, the weight that your vehicle carries over the front axle and rear axle should never be more than the Gross Axle Weight Rating (GAWR) for the respective axle.

You can find your vehicle's GVWR and GAWR on the Safety Compliance Certification Label on the front door lock facing or on the door latch post pillar.

The weight limits of your vehicle's tires affect the GVWR or GAWR limitations. Usage of replacement tires with higher weight limits than originals does not increase GVWR or GAWR. Usage of lower capacity replacement tires may lower GVWR and GAWR limitations.

WARNING

Do not exceed the GVWR or the GAWR specified on the Safety Compliance Certification Label.

Limiting Your Vehicle's Load

The load that you add to your vehicle must not exceed the maximum load stated on the Safety Compliance Certification Decal attached to the left front door pillar.

To figure the weight of your vehicle's load, add the weights of:

- the driver and passengers
- luggage and any other items that you put in your vehicle
- the tongue load of the loaded trailer
- the weight of any equipment that has been added to your vehicle since it was delivered to your dealer

If you do not know the actual weights of these items, use the following procedure to figure the weight of a load:

1. Weigh your vehicle without the driver, passengers and luggage. You might take your vehicle to a shipping company or an inspection station for trucks.
2. Then weigh your vehicle with the driver, passengers and luggage.
3. Subtract the first reading from the second to figure the total weight of the load.

After determining this load, you must also make sure that the total weight of your vehicle, plus the load it carries, is less than its GVWR. Also, make sure that the weight your vehicle carries over each axle is less than the GAWR for the respective axle.

If your vehicle exceeds the GVWR, remove cargo from your vehicle accordingly. If your vehicle exceeds the GAWR for either axle, shift the load remove cargo accordingly.

WARNING

Improper distribution of your vehicle's load or carrying weight in excess of the amount shown on the tire decal can cause rapid tire wear or loss of vehicle control.

Trailer Towing

Your vehicle does not come from the factory fully equipped to tow. No towing packages are available through Ford or Lincoln/Mercury dealers.

Because towing a trailer puts extra strain on your vehicle, you must follow certain precautions for your safety and the good of your vehicle:

- Stay within the load limits for towing your vehicle. (See *Trailer towing specifications* in this chapter.)
- Carefully and thoroughly prepare your vehicle for towing, making sure to use the right equipment and to attach it properly. (See *Preparing to Tow* in this chapter.)
- Use extra caution when driving your vehicle while you tow. (See *Driving while you tow* in this chapter.)
- Service your vehicle more frequently if you tow a trailer. (See *Servicing your vehicle if you tow* in this chapter.)

Ten to 15% of the loaded trailer's weight should be on the tongue. However, the tongue load should never exceed 10% of the maximum weight that your vehicle can safely tow.

New vehicles should be driven 2,000 miles (3,200 km) before towing a trailer.

| WARNING |
|--|
| Towing trailers beyond the maximum recommended gross trailer weight could result in engine damage, transmission/axle damage, structural damage, loss of control, and personal injury. |

| WARNING |
|--|
| Do not tow a trailer when using a temporary spare tire. |

See the following chart for the amount of weight your vehicle can tow.

| If your vehicle's engine is... | ...Your loaded trailer should weigh no more than... |
|--|--|
| 4.6L and you are towing with a Class I hitch | 2,000 lbs. (907 kg.) |

You should also limit your trailer's load when you tow in high altitudes.

Preparing to Tow

For your safety and for the good of your vehicle, use the right equipment for the type of trailer you tow. Also, make sure that all towing equipment is properly attached to your vehicle. If you are not certain that you are using the right equipment in the proper manner, see your Ford or Lincoln-Mercury dealer.

Do not use hitches that clamp onto your vehicle's bumper. The bumper is not designed to bear the load.

Always check the pressure in all your vehicle's tires when preparing to tow (see inflation recommendation on the tire label).

Using the hitch

Your vehicle uses a *load carrying* hitch. Because this type of hitch places the tongue load of a trailer on the rear wheels of your vehicle, you must distribute the load in your trailer so that only 10 to 15% of the total weight of the trailer is on the tongue.

Tie down the load so that it does not shift and change the weight on the hitch. This will prevent damage to your vehicle and make your vehicle easier to handle.

Connecting the safety chains

Always attach the trailer's safety chains to your vehicle. They help protect your trailer if the hitch breaks.

To connect the trailer's safety chains:

1. Cross the chains under the trailer tongue and attach them to your vehicle's frame or hook retainers. Never attach the safety chains to your vehicle's bumper. The bumper is not designed to bear the weight of a trailer.
2. Make sure that you leave enough slack in the chains to allow you to turn corners.

If you use a rental trailer, follow the instructions that the rental agency gives you.

Connecting the trailer's brakes

Electric brakes and manual, automatic, or surge-type hydraulic brakes are safe if you install them properly and adjust them according to the manufacturer's instructions. Be sure that your trailer's brakes meet local and federal regulations.

Separate trailer brakes of adequate size should be used for trailers weighing over 1,000 lbs. (454 kg) loaded weight.

| WARNING |
|---|
| Do not connect a trailer's hydraulic brake system directly to your vehicle's brake system. Your vehicle may not have enough braking power and your chances of having a collision greatly increase. |

Connecting the trailer's lights

Do not connect a trailer's lighting system wiring directly to your vehicle's lighting system wiring. To get the proper equipment for hooking up your trailer's lights, see your local trailer dealer and your Ford dealer. Be sure to follow their instructions carefully.

If you do not install trailer lights correctly, you may cause damage to the vehicle's lighting system.

Driving While You Tow

Be especially careful when driving while you tow a trailer. Never drive faster than 45 mph (70 km/h) when you tow in hilly country on hot days. Also, anticipate stops so that you can brake gradually.

When you tow down steep grades, move the gearshift to 1 (Low). It gives more engine braking to slow your vehicle than Drive on the downgrades.

If you tow in D (Overdrive) while riding through hilly country, your vehicle may frequently shift between Overdrive and Third gears. To prevent your vehicle from shifting too much, press the Transmission Control Switch located on the shift lever. This will also give the engine more power going up hills and better engine braking going down hills.

If you use the speed control while you are towing on very long, steep grades, the speed control may shut off.

Servicing Your Vehicle If You Tow

If you tow a trailer for a long distance, your vehicle will need to be serviced more frequently than usual. Refer to the *Maintenance Schedule* booklet for additional information.

Roadside Emergencies

Hazard Flashers

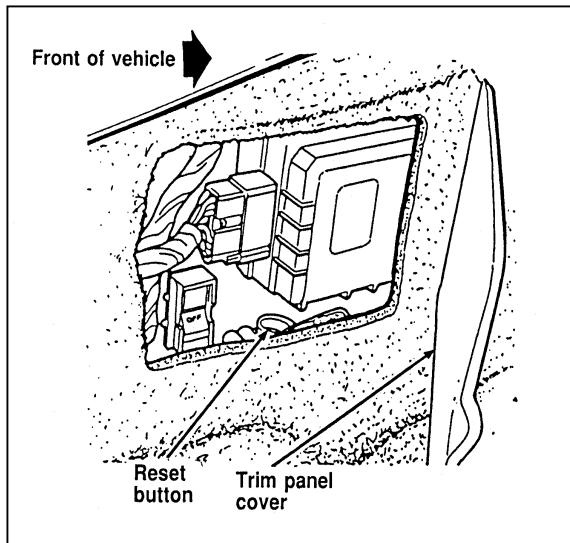
The flashers work whether your vehicle is running or not. The flashers work for up to two hours when the battery is fully charged and in good condition without draining the battery excessively. If the flashers run for longer than two hours or if the battery is not fully charged, the battery can be drained.

If the Engine Cranks but Does Not Start or Does Not Start After a Collision

Fuel Pump Shut-off Switch

If the engine cranks but does not start even after a small collision, the fuel pump shut-off switch may have been actuated. The shut-off switch is a device intended to stop the fuel pump when your vehicle has been involved in a substantial jolt.

Once the shut-off switch is actuated, you must reset the switch by hand before you can start your vehicle. The switch is on the left side of the trunk.



The fuel pump shut-off switch

WARNING

If you see or smell fuel, do not reset the switch or try to start your vehicle. Have all the passengers get out of the vehicle and call the local fire department or a towing service.

If your engine cranks but does not start after a collision or substantial jolt:

1. Turn the ignition key to the OFF position.
2. Check under the vehicle for leaking fuel.
3. If you do not see or smell fuel, push the red reset button down. If the button is already set, you may have a different mechanical problem.
4. Turn the ignition key to the ON position for a few seconds, then turn it to the OFF position.

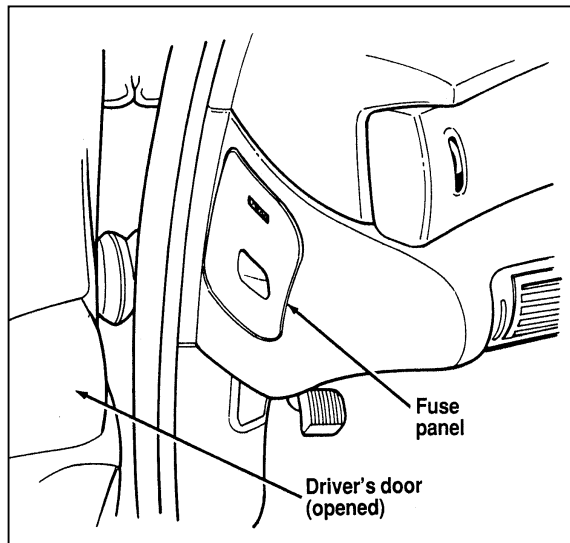
5. Check under the vehicle again for leaking fuel. **If you see or smell fuel, do not start your vehicle again.** If you do not see or smell fuel, you can try to start your vehicle again.

Fuses

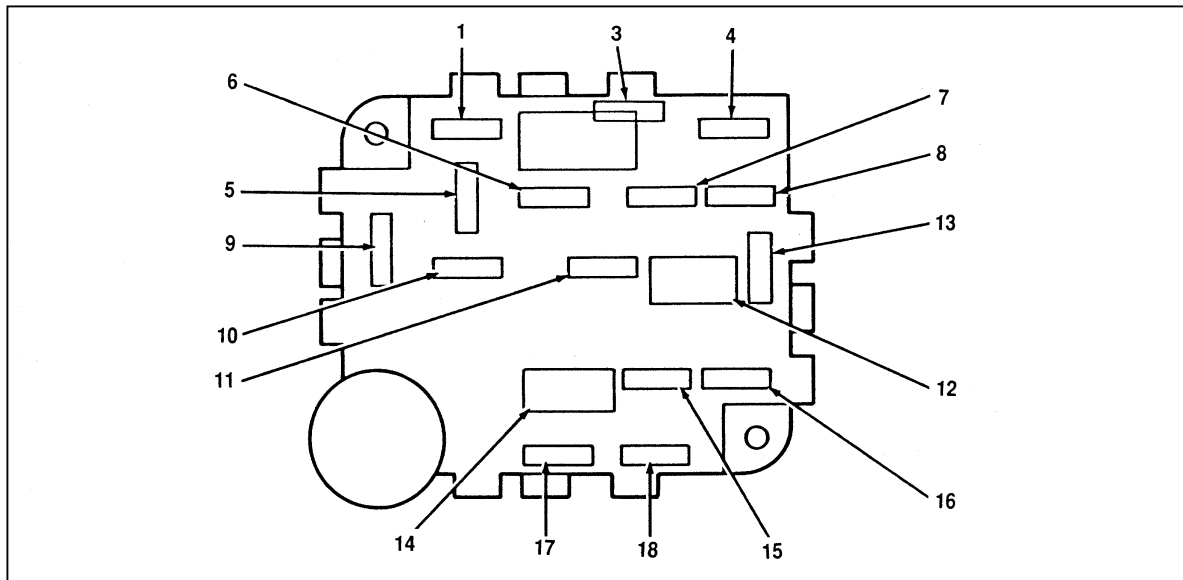
Fuses (miniature and high current) protect your vehicle's wiring system from overloading. If electrical parts in your vehicle are not working, the system may have been overloaded and blown a fuse. Before you replace or repair any electrical parts, check the appropriate fuses (miniature and high current).

The following charts tell you which fuses or circuit breakers protect the wiring for each electrical part of your vehicle. If a fuse blows or a circuit breaker opens a circuit, **all** the parts of your vehicle that use that circuit will not work.

Once you have determined which fuses to check, follow the procedures under *Checking and replacing fuses* in this chapter.



The instrument panel fuse panel location



The instrument panel fuse box

The Instrument Panel Fuses, Circuit Breakers and Relays

| Fuse Location | Fuse Amp Rating | Description |
|---------------|-----------------|---|
| 17 | 10A | • Electric instrument panel |
| 18 | — | Not used |
| 19 | 10A | • Steering column/ignition/ lighting module |
| 20 | 10A | • Message center • Electronic instrument panel • Electronic Automatic Temperature Control module |
| 21 | 10A | • Anti-lock brake control module |
| 22 | — | Not used |
| 23 | — | Not used |
| 24 | — | Not used |
| 25 | 10A | • Steering column/ignition/ lighting module |
| 26 | 15A | • Steering column/ignition/ lighting module |
| 27 | — | Not used |

| Fuse Location | Fuse Amp Rating | Description |
|---------------|-----------------|--|
| 28 | 10A | • I/P warning indicator display • Air suspension/electronically variable orifice power steering module • Rear window defrost module • Steering wheel position sensor • Transmission control switch |
| 29 | — | Not used |
| 30 | 10A | • Heated mirrors |
| 31 | 10A | • Steering column/ignition/ lighting module |
| 32 | 15A | • Stop lamp switch |
| 33 | — | Not used |
| 34 | 15A | • Heated seats • Backup lamps • Speed control • Daytime running lamps • Powertrain control module • Electronic Automatic Temperature Control module • Day/night mirror |

| Fuse Location | Fuse Amp Rating | Description |
|---------------|-----------------|--|
| 35 | 10A | <ul style="list-style-type: none">• Driver's power and heated seats |
| 36 | — | Not used |
| 37 | — | Not used |
| 38 | 10A | <ul style="list-style-type: none">• Data link connector |
| 39 | — | Not used |
| 40 | — | Not used |
| 41 | 10A | <ul style="list-style-type: none">• Keyless entry• Power door locks• Power mirror switch• Memory/recall switch• Driver's door module |

High Current Fuses

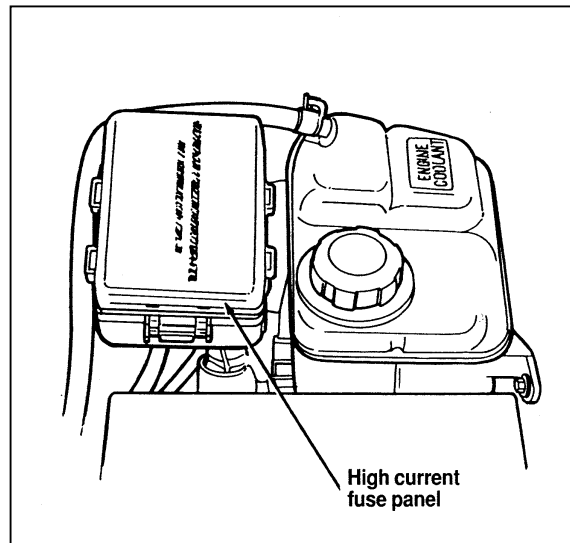
High current fuses are circuit protectors that are part of the wiring harness for some electrical equipment. These, like fuses, open when the circuit load exceeds their amperage rating. High current fuses may be purchased from your Ford or Lincoln-Mercury dealer.

The high current fuse panel is located in the engine compartment on the left-hand fender apron.

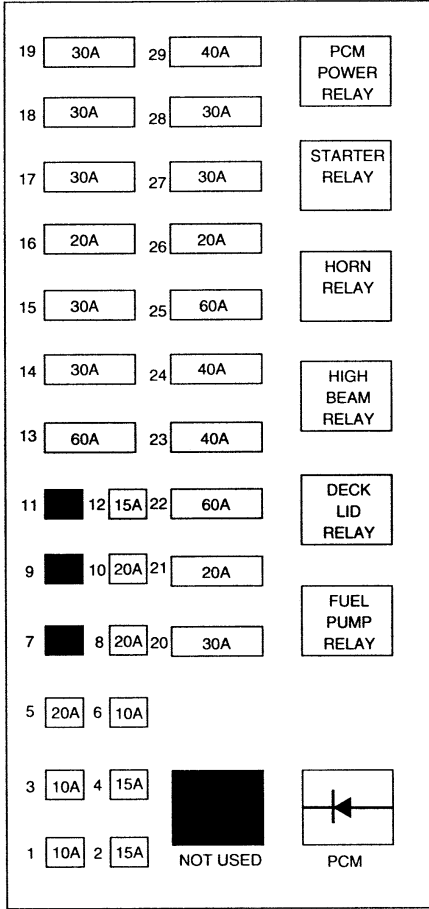
| |
|----------------|
| WARNING |
|----------------|

| |
|---|
| Always disconnect the battery before servicing high current fuses. |
|---|

Ford recommends that high current fuses be replaced by a qualified technician.



The high current fuse panel location



The high current fuses

| Fuse Location | Fuse Amp Rating | Description |
|---------------|-----------------|--|
| 1 | 10A MINI | <ul style="list-style-type: none"> • Powertrain control module |
| 2 | 15A MINI | <ul style="list-style-type: none"> • High beam relay • Daytime Running Lamps module |
| 3 | 10A MINI | <ul style="list-style-type: none"> • Thermoactor pump motor |
| 4 | 15A MINI | <ul style="list-style-type: none"> • Air suspension • Electronically variable orifice power steering |
| 5 | 30A MINI | <ul style="list-style-type: none"> • Trunk Lid Relay |
| 6 | 10A MINI | <ul style="list-style-type: none"> • Air bag |
| 7 | — | Not used |
| 8 | 20A MINI | <ul style="list-style-type: none"> • Horn relay |
| 9 | — | Not used |
| 10 | 20A MINI | <ul style="list-style-type: none"> • Radio amplifier • CD changer |
| 11 | — | Not used |
| 12 | 15A MINI | <ul style="list-style-type: none"> • Steering column/ Ignition/Lighting module |

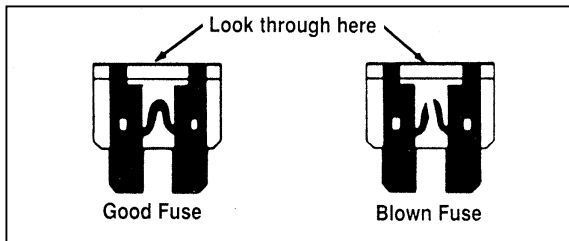
| Fuse Location | Fuse Amp Rating | Description |
|---------------|-----------------|---|
| 13 | 60 A MAXI | <ul style="list-style-type: none"> • Air suspension |
| 14 | 30A MAXI | <ul style="list-style-type: none"> • Delayed accessory power relay #1 • I/P fuses 4, 10, 16 |
| 15 | 30A MAXI | <ul style="list-style-type: none"> • Powertrain control module • PCM power relay • Engine compartment fuse 1 |
| 16 | 20A MAXI | <ul style="list-style-type: none"> • Fuel pump relay • Fuel pump module |
| 17 | 30A MAXI | <ul style="list-style-type: none"> • Electric air management • Engine compartment fuse 3 |
| 18 | 30A MAXI | <ul style="list-style-type: none"> • Passenger seat module • Passenger lumbar • I/P fuse 12 |
| 19 | 30A MAXI | <ul style="list-style-type: none"> • Driver seat module • Driver lumbar • I/P fuse 35 |
| 20 | 30A MAXI | <ul style="list-style-type: none"> • Anti-lock brake control module |

| Fuse Location | Fuse Amp Rating | Description |
|---------------|-----------------|--|
| 21 | 20A MAXI | <ul style="list-style-type: none"> • Anti-lock brake control module • EVAC/fill connector |
| 22 | 60A MAXI | <ul style="list-style-type: none"> • I/P fuses 1, 7, 13, 19, 25, 31 |
| 23 | 40A MAXI | <ul style="list-style-type: none"> • Variable load control module |
| 24 | 40A MAXI | <ul style="list-style-type: none"> • Rear window defrost control • I/P fuse 30 |
| 25 | 60A MAXI | <ul style="list-style-type: none"> • I/P fuses 2, 14, 20 26, 32, 38 • Engine compartment fuse 5 |
| 26 | 20A MAXI | <ul style="list-style-type: none"> • Ignition switch • I/P fuses (5, 9, 11, 15, 17, 21) |
| 27 | 30A MAXI | <ul style="list-style-type: none"> • Starter motor solenoid • Ignition switch • I/P fuses 6, 28, 34 |
| 28 | 30A MAXI | <ul style="list-style-type: none"> • Delayed accessory power #2 • I/P fuse 41 |
| 29 | 40A MAXI | <ul style="list-style-type: none"> • Blower motor relay |

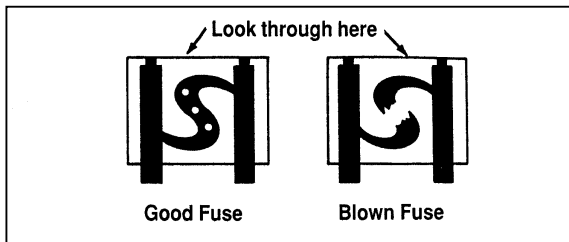
Checking and Replacing Fuses

If you need to check a fuse, follow these steps:

1. Find the fuse panel on driver's side end of the instrument panel by opening the door. Unsnap cover from the instrument panel.
2. Find the fuse you want to check (fuses are numbered on the fuse panel) and remove it with the fuse pulling tool that is provided.
3. Check the fuse to see if it is blown. Look through the clear side of the fuse to see if the metal wire inside is separated. If it is, the fuse should be replaced.



The side view of a Blade type fuse



The side view of a high current fuse

4. Replace the fuse with one that has the right amperage rating. (See the following charts.)

| Instrument Panel Fuse Color | Amperage |
|-----------------------------|----------|
| Amber | 5A |
| Red | 10A |
| Blue | 15A |
| Yellow | 20A |
| Natural | 25A |
| Green | 30A |

| High Current Fuse Color | Amperage |
|-------------------------|----------|
| Yellow | 20A |
| Green | 30A |
| Orange | 40A |
| Red | 50A |

| |
|----------------|
| WARNING |
|----------------|

| |
|--|
| <p>Always replace a fuse with one that has the specified amperage rating. Using a fuse with a higher amperage rating can cause severe wire damage and could start a fire.</p> |
|--|

5. Replace the cover.

Even after you replace a fuse, it may continue to blow if you do not find what caused the overload. If the fuse continues to blow, have your electrical system checked.

Changing a Tire

If you get a flat tire while you are driving, do not apply the brake heavily. Instead, gradually decrease the speed. Hold the steering wheel firmly and slowly move to a safe place on the side of the road. Park on a level spot, turn off the ignition, set the parking brake, and turn on the hazard flashers.

The Temporary Spare Tire

You may have a high pressure temporary spare tire. This spare tire is smaller than a regular tire and is designed for emergency use only. Use it only when you get a flat tire and replace it as soon as you can. This spare tire is marked with the words “TEMPORARY USE ONLY” so that you can easily identify it.

NOTE: Extended use of other than conventional spare tires on a Traction-Lok rear axle could result in a permanent reduction in effectiveness. This loss of effectiveness does not affect normal driving and should not be noticeable to the driver.

| |
|----------------|
| WARNING |
|----------------|

| |
|---|
| <p>If you use the temporary spare tire continuously or do not follow these precautions, the tire could fail, causing you to lose control of the vehicle, possibly injuring yourself or others.</p> |
|---|

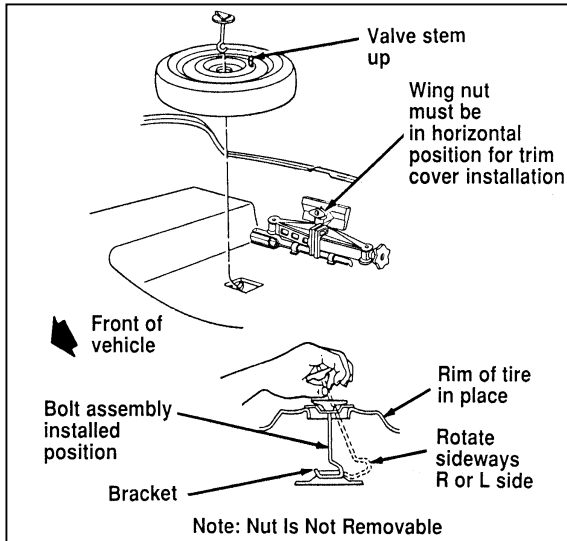
When you drive with the temporary spare tire, DO NOT:

- exceed 50 mph (80 km/h) under any circumstances.
- load your vehicle so that it is heavier than the maximum vehicle load rating listed on the tire decal.
- tow a trailer.
- use tire chains on this tire.
- try to repair the temporary spare tire or remove it from its wheel.
- use the wheel for any other type of vehicle.
- drive through an automatic car wash with this tire. Because the temporary spare tire is smaller than a conventional tire, it reduces the ground clearance. Your vehicle may get caught in the rails and it could be damaged.

Spare Tire Location

The spare tire is stored under the carpet on the floor of the trunk.

You will find additional instructions for the spare tire on the warning label located on the wheel and the jacking instructions located on the spare tire cover.



The spare tire location

To remove the spare tire:

1. Remove the spare tire cover.
2. Unscrew the wing-nut holding down the spare tire.

NOTE: Wing-nut is not removable.

3. Unscrew the wing-bolt holding down the jack and handle.
4. Lift out the spare tire, jack, and lug wrench.

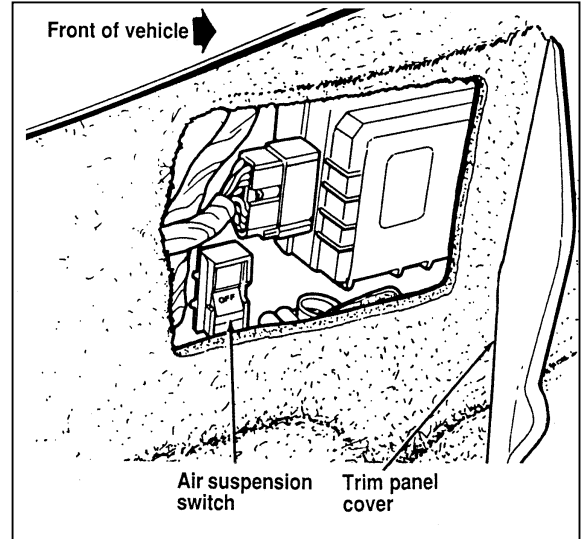
Preparing to Change the Tire

1. Make sure that your vehicle will not move or roll. Put the gearshift in P (Park). Set the parking brake and block the wheel that is diagonally opposite the tire that you are changing.

Turn off the air suspension switch prior to jacking.

WARNING

On vehicles equipped with Air Suspension, turn OFF the Air Suspension switch prior to jacking, hoisting or towing your vehicle.



The air suspension switch — located in the trunk

| |
|----------------|
| WARNING |
|----------------|

| |
|---|
| If the vehicle slips off the jack, you or someone else could be seriously injured. |
|---|

2. Get out the spare tire and jack.

| |
|----------------|
| WARNING |
|----------------|

| |
|---|
| To avoid injury, never run the engine with one wheel off the ground, such as when changing a tire. |
|---|

3. Remove the center ornament from the aluminum wheel with the tapered end of the wheel nut wrench which came with your vehicle. Insert and pry against the wheel.

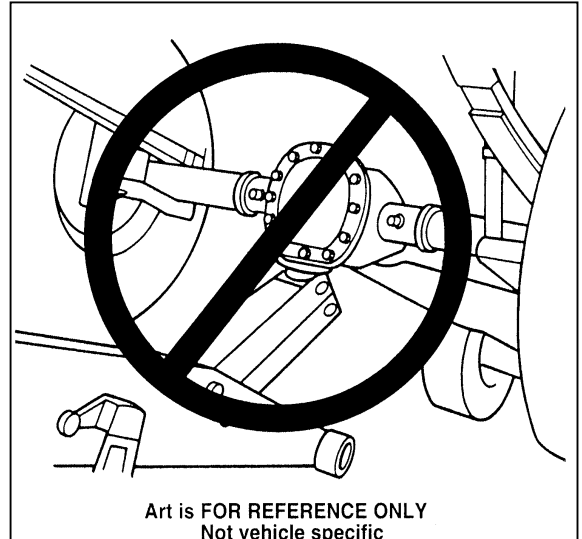
4. Loosen each wheel lug nut one-half turn counterclockwise, but do not remove them until the tire is raised off the ground. You should pull up on the handle rather than push to develop maximum force to loosen wheel lug nuts. See *Anti-Theft Wheel Lug Nuts* later in this chapter for information on removing anti-theft lug nuts.

Removing and Replacing the Tire

1. Place the scissors-type jack under the side of the vehicle and adjust the jack height with the jack handle. The jack should fit in the notch in the vertical rocker panel flange which is nearest to the wheel to be changed.

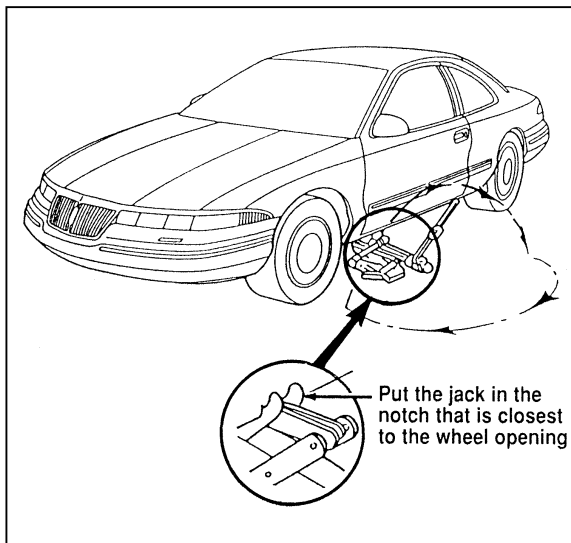
WARNING

To lessen the risk of personal injury, do not put any part of your body under the vehicle while changing a tire. Do not start the engine when your vehicle is on the jack. The jack is only meant for changing the tire.



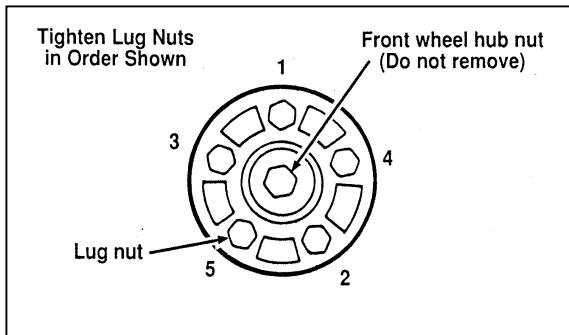
The improper lift point

NOTE: Never use the differential housing as a lift point.



The slot for the jack

2. Turn the jack handle clockwise until the wheel clears the ground. Remove the wheel lug nuts.
3. Replace the flat tire with the spare tire, making sure that the air valve stem is facing outward.
4. Reinstall the lug nuts, tightening until the wheel is snug against the hub. The beveled edges on the lug nuts face inward. Do not fully tighten the lug nuts until you lower the vehicle. If you do, you could force the vehicle off the jack.
5. Lower the vehicle by turning the jack handle counterclockwise.
6. Remove the jack and fully tighten the lug nuts in the order shown in the following illustration. As soon as possible, have your dealer or a qualified service technician check the lug nuts for proper torque specifications.



The lug nuts on the wheel

7. Place any ornaments in the trunk.
8. Put the tire, jack, and wrench away. Make sure the jack is securely fastened so it does not rattle when you drive.
9. Unblock the wheels.
10. Turn on the air suspension switch.

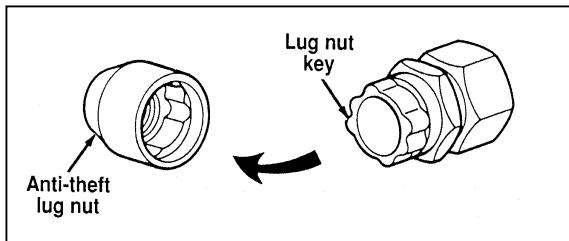
After replacing a flat tire with the temporary spare tire, the flat tire can be secured in the trunk tub by placing the "J" hook through a lug nut hole in the wheel with the tire and wheel lying at an angle.

Anti-Theft Wheel Lug Nuts (If equipped)

If your vehicle has this option, one of the lug nuts on each wheel locks and must be unlocked with a special key. The key and registration card are attached to the lug wrench and stored with the spare tire. If you lose the key, send the registration card to the manufacturer (not the dealer) to get a replacement key.

NOTE: If entire lug wrench/lug nut key assembly is lost, see your nearest Ford or Lincoln-Mercury dealer who has access to a master set of keys.

NOTE: DO NOT USE A POWER IMPACT WRENCH ON THE LUG NUT KEY.



The anti-theft lug nut and key

Removing the anti-theft lug nut

Insert the key over the locking lug nut. Make sure that you hold the key square to the lug nut. If you hold the key on an angle, you may damage the key and the lug nut.

Place the lug nut wrench over the lug nut key and apply pressure on the key with the wrench. Turn the wrench in a counterclockwise direction to remove the lug nut.

Reinstalling the anti-theft lug nut

Insert the key over the locking lug nut. Place the lug nut wrench over the lug nut key and, while applying pressure on the key, install the lug nut.

Jump-Starting Your Vehicle

Your vehicle's battery may die if you leave the lights on or any electrical equipment on after you turn the engine off. If this happens, you may be able to jump-start your vehicle with a booster battery.

WARNING

The gases around the battery can explode if exposed to flames, sparks, or lit cigarettes. An explosion could result in injury or vehicle damage.

| |
|----------------|
| WARNING |
|----------------|

| |
|---|
| To protect yourself when charging a battery, always shield your face and eyes. Make sure that you can breathe fresh air. |
|---|

| |
|----------------|
| WARNING |
|----------------|

| |
|---|
| Applying too much pressure on the ends when lifting a battery could cause acid to spill. Lift the battery with a carrier or with your hands on the opposite corners. |
|---|

| |
|----------------|
| WARNING |
|----------------|

| |
|--|
| Batteries contain sulfuric acid which burns skin, eyes, and clothing. |
|--|

If the acid touches someone's skin, eyes, or clothing, immediately flush the area with water for at least 15 minutes. If someone swallows the acid, have him or her drink lots of milk or water first, then Milk of Magnesia, a beaten egg, or vegetable oil. Call a doctor immediately.

To avoid damaging your vehicle or your battery, and to avoid injury to yourself, follow these directions for preparing your vehicle to jump-start and connecting the jumper cables in the order they are given. If in doubt, call for road service.

Preparing Your Vehicle

1. Your vehicle has a 12-volt starting system, so you need to use a 12-volt jumper system. You will damage your starting motor, ignition system, and other electrical parts if you connect them to a 24-volt power supply (either two 12-volt batteries in series or a 24-volt generator set).

-
2. Do not disconnect the battery of the disabled vehicle. You could damage the vehicle's electrical system.
 3. Park the booster vehicle close to the hood of the disabled vehicle. **Make sure the vehicles do not touch each other.** Set the parking brake on both vehicles and stay clear of the engine cooling fan and other moving parts.
 4. Check all battery terminals and remove any excessive corrosion before you attach the jumper cables.
 5. Turn on the heater fan in both vehicles. Press the DEFROST button. Turn off all other switches and gauges.

Connecting the jumper cables

1. Connect one end of the first jumper cable to the positive (+) terminal of the discharged battery. (You can connect either jumper cable to the positive (+) terminal, as long as you use the same cable for both positive terminals.) Most jumper cables have a red cable and a black cable. The red cable is generally used for the positive terminals and the black for the negative ones.
2. Connect the other end of the first cable to the positive (+) terminal of the booster battery.
3. Connect one end of the second cable to the negative (-) terminal of the booster battery — NOT to the discharged battery.
4. Connect the other end of the second cable to a good metallic surface on the engine or frame of the disabled vehicle.

WARNING

Do not connect the end of the second cable to the negative (-) terminal of the battery to be jumped. A spark may cause an explosion of the gases that surround the battery.

Jump-Starting

1. Make sure that the jumper cables are not in the way of moving engine parts, then start the booster vehicle. Run the engine at a moderate speed.
2. Let the discharged battery charge for a few minutes and then start the disabled vehicle. It may take a couple of tries before the vehicle starts. If the vehicle does not start after several attempts, there may be a different problem.

3. When both vehicles are running, let them idle for a few minutes to charge the discharged battery.

Removing jumper cables

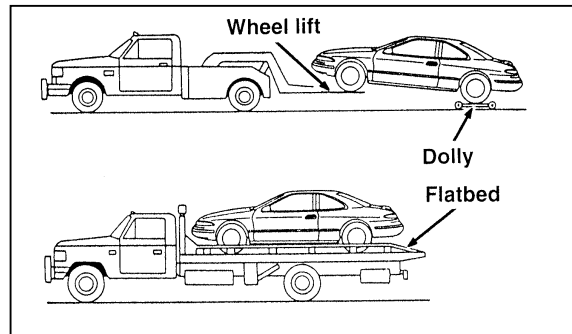
1. **Always remove the jumper cables in the reverse order.** Remove the negative (-) end of the jumper cable from the metallic surface on the engine or frame of the disabled vehicle.
2. Remove the negative (-) cable from the booster battery.
3. Remove the positive (+) cable from the booster battery.
4. Remove the other end of the positive (+) cable from the discharged battery.

After the vehicle is started, let it idle for a while to let the engine “relearn” its idle conditions. Drive it around for a while with all electrical accessories turned off to let the battery recharge. Driveability may be deteriorated slightly until all drive modes are “relearned.” **You may need to use a battery charger to fully recharge the battery.**

If you need to replace your battery, see *Battery* in the *Maintenance and Care* chapter.

Towing Your Vehicle

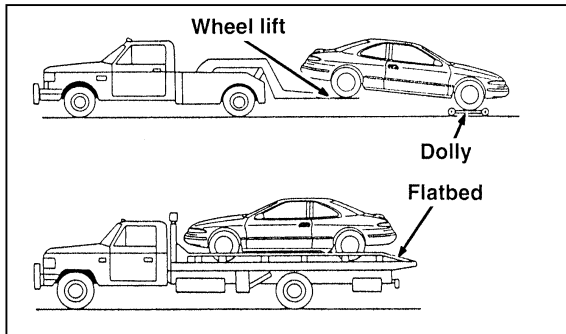
If you need to have your vehicle towed, contact a professional towing service or, if you are a member, your roadside assistance center. Typical towing options include wheel lift towing or flat bed towing.



Front towing

DO NOT TOW WITH SLINGBELT EQUIPMENT. Ford Motor Company has not developed or approved a T-hook sling-type procedure. Use wheel lift or flatbed equipment. When towing your Mark VIII with wheel lift equipment, be sure dollies are in place under the trailing wheels if the air suspension is deflated to prevent damage to the air deflector.

When calling for a tow truck, tell the operator what kind of vehicle you have. A towing manual is available from Ford Motor Company for all authorized tow truck operators. Have your tow truck driver refer to this manual for the proper hook-up and towing procedures for your vehicle.



Rear towing

Maintenance and Care

Service Made Easy

Ford has two goals for servicing your vehicle.

1. When we can, we design parts that do not need to be serviced.
2. We want to make servicing your vehicle as easy as possible. To help you:
 - We highlight do-it-yourself items in yellow in the engine compartment so that you can find them easily.
 - When possible, we design parts that can be replaced without tools.
 - We give you a Maintenance Schedule that makes tracking routine service for your vehicle easy. The maintenance schedule is located in the *Maintenance Schedule* booklet.

This chapter tells you about the basic parts that you need to check and service regularly.

If your vehicle needs professional servicing, your dealership can provide the parts and service required. Check your *Warranty Information Booklet* to find out which parts and services are covered. Also see the *Customer Assistance* chapter of this Owner Guide.

Ford Motor Company recommends that the Owner Maintenance Checks listed in the *Maintenance Schedule* booklet be performed for the proper operation of your vehicle. In addition to the conditions listed in the *Owner Maintenance Checklist*, be alert for any unusual noise, vibration, or other indication that your vehicle may need service. If you do notice something unusual, see that your vehicle is serviced promptly.

Use only recommended fuels, lubricants, fluids, and service parts conforming to Ford specifications. Motorcraft parts are designed and built to provide the best performance in your vehicle. Using these parts for replacement is your assurance that Ford-built quality stays in your vehicle.

NOTE: Always dispose of used automotive fluids in a responsible manner. Follow your community's standards for disposing of these types of fluids. Call your local recycling center to find out about recycling automotive fluids.

Accident Damage

Should your vehicle suffer accident damage requiring new sheet metal or plastic replacement parts, be sure your repair shop uses only genuine Ford replacement parts.

While imitation body parts may appear similar to genuine Ford parts on the surface, differences in quality become obvious when both are subjected to standard Ford quality tests.

Ford tests indicate that you should be concerned with the quality of the fit and finish, corrosion resistance and structural integrity of these imitation replacement parts, and how their use will affect your warranty.

How Can You Protect Yourself?

Before any repair work begins, tell your adjuster that you want your vehicle repaired using *only* genuine Ford body parts. If the adjuster refuses, contact your insurance agent for help. If your agent and your insurance company refuse to repair your vehicle with original factory parts, you should contact your state insurance commissioner, the National Highway Traffic Safety Administration or a local consumer protection agency.

In Canada, contact provincial insurance commissioners, Transport Canada or local consumer protection groups.

Precautions When Servicing Your Vehicle

Be especially careful when inspecting or servicing your vehicle. Here are some general precautions for your safety:

- Do not work on a hot engine. The engine cooling fan may come on unexpectedly. Always turn the engine off and let it cool.

| |
|----------------|
| WARNING |
|----------------|

| |
|--|
| The cooling fan is automatic and may come on at any time. Always disconnect the negative terminal of the battery before working near the fan. |
|--|

- If you must work with the engine running, avoid wearing loose clothing or jewelry that could get caught in moving parts. Take appropriate precautions with long hair.

- Do not work on a vehicle in an enclosed space with the engine running, unless you are sure you have enough ventilation.
- Never get under a vehicle while it is supported by a jack only. If you must work under a vehicle, use safety stands.
- Keep all lit cigarettes and other smoking materials away from the battery and all fuel-related parts.

If you disconnect the battery, the engine must “relearn” its idle conditions before your vehicle will drive properly. To find out how the engine does this, see *Battery* in this chapter.

Working with the engine off:

1. Set the parking brake fully and make sure that the gearshift is securely latched in P (Park).
2. Remove the key from the ignition after you turn the engine off.

-
3. Block the wheels. This will prevent your vehicle from moving unexpectedly.

Working with the engine on:

1. Set the parking brake fully and make sure that the gearshift is securely latched in P (Park).
2. Block the wheels. This will prevent your vehicle from moving unexpectedly.

| |
|----------------|
| WARNING |
|----------------|

| |
|--|
| Do not start your engine with the air cleaner removed and do not remove it while the engine is running. |
|--|

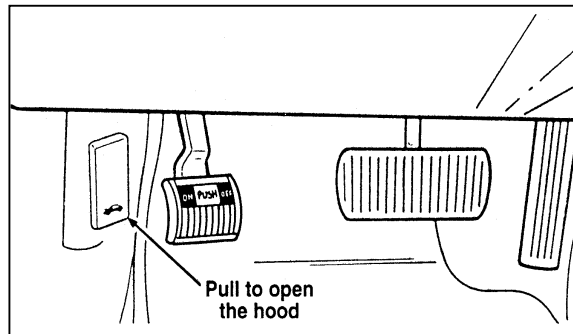
| |
|----------------|
| WARNING |
|----------------|

| |
|--|
| The cooling fan is automatic and may come on at any time. Always disconnect the negative terminal of the battery before working near the fan. |
|--|

If the battery is disconnected, the computer must relearn its idle control. See *Battery* in the Index.

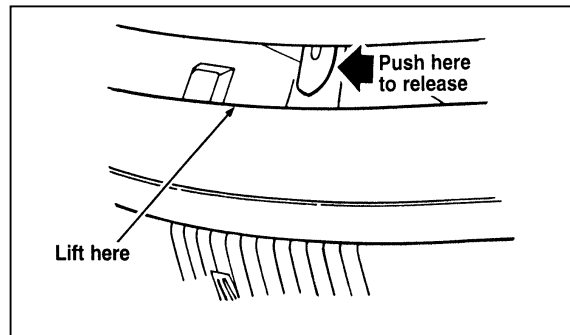
Opening the Hood

1. Inside the vehicle, pull the hood release handle located under the bottom left corner of the instrument panel.



The hood release under the instrument panel

2. Go to the front of the vehicle and release the auxiliary latch that is located under the hood at the center of the vehicle.



The auxiliary latch under the front edge of the hood

3. Lift the hood until the counterbalanced hinges hold it open.

Whenever you close the hood, latch it securely.

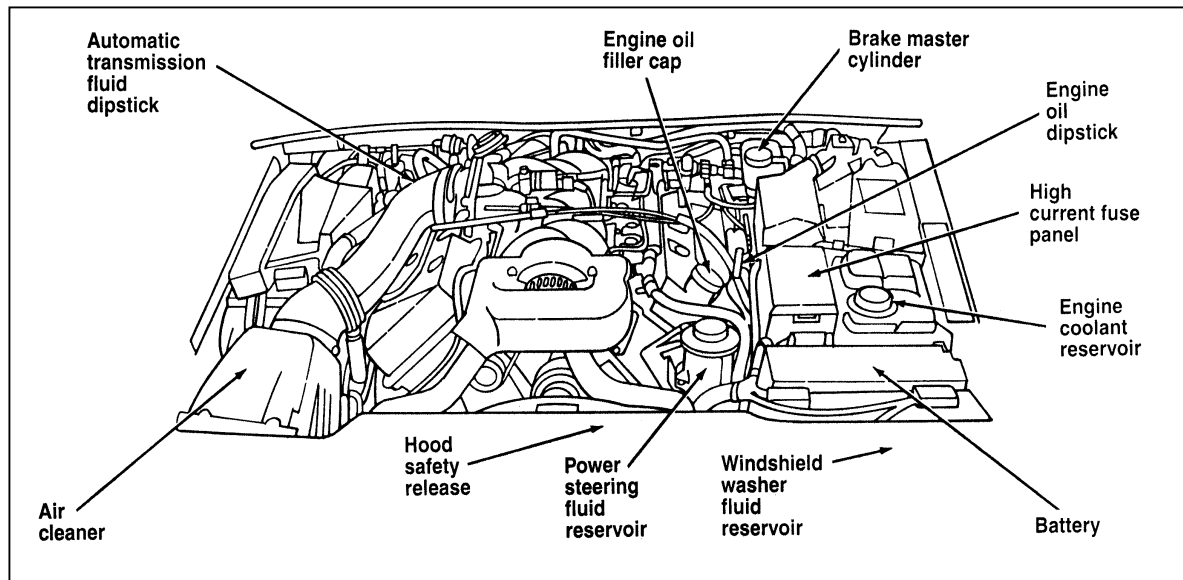
NOTE: Apply lubricant to the hood latch at six-month intervals to maintain smooth and trouble-free operation.

NOTE: Read and understand *Precautions When Servicing Your Vehicle* at the beginning of this chapter before opening the hood.

If the battery is disconnected, the computer must relearn its idle control. See *Battery* in the Index.

Engine Compartment

Your vehicle has a 4.6 liter 4V SFI engine. The following page shows a diagram of where to find items that you should regularly service.



A 4.6 Liter 4V SFI engine

Engine Oil Recommendations

We recommend using Motorcraft oil or an equivalent oil meeting Ford Specification WSS-M2C153-F and displaying the American Petroleum Institute CERTIFICATION MARK on the front of the container.



The API Certification Mark

Never use:

- "Non-Detergent" oils
- Oils labeled API SA, SB, SC, SD, SE, SF or SG
- Additional engine oil additives, oil treatments or engine treatments

Engine oils with an **SAE 5W-30** viscosity are **PREFERRED** for your vehicle. They provide the best engine performance, fuel economy and engine protection for all climates down to -15°F (-25°C).

Synthetic engine oils which are CERTIFIED and of the preferred viscosity may be used in your engine. The engine oil and oil filter must still be changed according to the maintenance schedule.

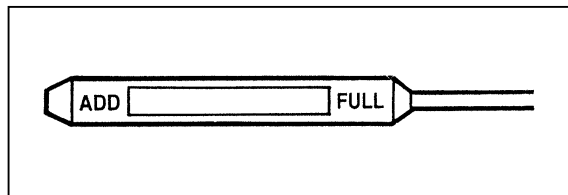
Checking and Adding Engine Oil

Since the proper amount of engine oil is important for safe engine operation, check the oil using the dipstick each time you put fuel in your vehicle. Remember the engine must be off, the oil must be warm and the vehicle must be parked on level ground.

Checking the engine oil level:

1. Turn the engine off after it has warmed up and allow a few minutes for the engine oil to drain back into the oil pan.
2. Set the parking brake, making sure the gearshift is securely latched in P (Park).
3. Open the hood. Protect yourself from engine heat.
4. Locate the engine oil dipstick (highlighted in yellow) and carefully pull it out of the engine.

5. Wipe the dipstick clean and put it back into position, making sure it is fully seated.



Engine oil dipstick

6. Carefully, pull the dipstick out again and read it. If the oil level is below the MIN line, add a half quart of engine oil as necessary. If the oil level is above the MAX line, engine damage or high oil consumption may occur and some oil must be removed from the engine.
7. Put the dipstick back in and make sure it is fully seated.

It may be necessary to add some oil between oil changes. Make sure you use a CERTIFIED engine oil of the preferred viscosity. Your vehicle's warranty coverage may not apply if engine damage is caused by the use of improper engine oil.

Add engine oil through the oil filler cap highlighted in yellow. To add oil, remove the filler cap and use a funnel to pour oil into the opening. Be careful not to overfill the engine. Recheck the oil level after you finish adding oil.

Changing the Engine Oil and the Oil Filter

Your vehicle has an OIL LIFE LEFT function as part of the Vehicle Message Center (M/C). This device displays the percent of useful engine oil life left and when an oil change is required. Use of a CERTIFIED oil of the preferred viscosity is required for this device to work properly. Change your engine oil and oil filter when the message center

displays **CHANGE OIL SOON or OIL CHANGE REQUIRED**. If the Message Center malfunctions, you may determine your oil change interval based on the following guidelines.

Change your engine oil and oil filter according to these mileage and time requirements, whichever occurs first.



Refer to the *Maintenance Schedule* booklet for additional information.

The Vehicle Message Center may be manually reset by depressing the Oil Change Reset Switch for five seconds.

Protect your skin by washing with soap and water.

| |
|----------------|
| WARNING |
|----------------|

| |
|---|
| Continuous contact with USED motor oil has caused cancer in laboratory mice. |
|---|

Brake Fluid

Under normal circumstances, your vehicle should not use up brake fluid rapidly. However, expect the level of the brake fluid to slowly fall as you put more mileage on your vehicle and the brake linings wear.

You should check the brake fluid at every scheduled engine oil change, but be sure to check it at least once a year. You can do this by looking at the fluid level in the plastic reservoir on the master cylinder. (See *The Engine Type* in this chapter to locate the master cylinder.) The fluid level should be between the MAX and MIN mark.

| |
|----------------|
| WARNING |
|----------------|

| |
|------------------------------|
| Brake fluid is toxic. |
|------------------------------|

If brake fluid contacts eyes, flush eyes with running water for 15 minutes. Get medical attention if irritation persists. If taken internally, drink water and induce vomiting. Get medical attention immediately.

If the fluid is low, carefully clean and remove the cap from the reservoir. Fill the reservoir to the MAX line with Ford High Performance DOT 3 Brake Fluid C6AZ-19542-AB or equivalent DOT 3 fluid meeting Ford specification ESA-M6C25-A.

WARNING

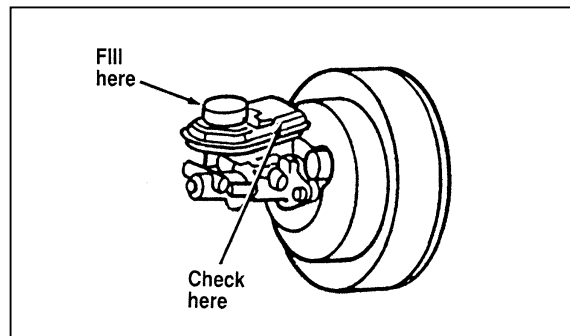
If you use a brake fluid that is not DOT 3, you will cause permanent damage to your brakes.

Do not fill the reservoir above the MAX line.

If you find that the fluid level is excessively low — below the seam or ridge on the outside of the plastic reservoir — have the brake system inspected.

WARNING

Do not let the reservoir for the master cylinder run dry. This may cause the brakes to fail.

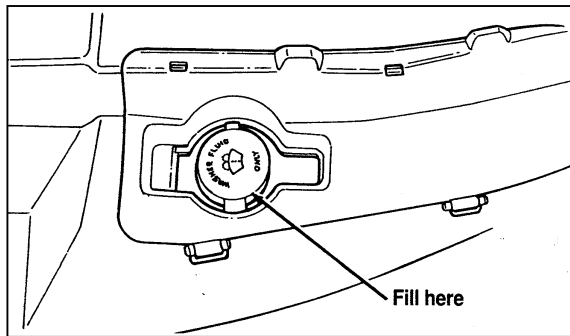


The anti-lock brake system fluid reservoir

Windshield Washer Fluid

Washer Fluid

Check the level of the windshield washer fluid periodically, or when the warning message indicates low fluid. The reservoir for washer fluid is located in front of the engine compartment behind driver's side headlamp.



The reservoir for the windshield washer fluid

| WARNING |
|---|
| Do not put windshield washer fluid in the container for the engine coolant. |
| Use specially formulated windshield washer fluid rather than plain water, because specially formulated washer fluids contain additives that dissolve road grime. For safety reasons, washer fluids containing an appropriate antifreeze such as methanol should be used in freezing weather (temperatures below 32°F [0°C]). State or local regulations on Volatile Organic Compounds (VOCs) may restrict use of the most common antifreeze, methanol. Washer fluids containing non-methanol antifreeze agents should be used only if they provide cold weather protection without damaging the vehicle's paint finish, wiper blades, and windshield washer system. |

Engine Coolant

Checking the Engine Coolant

NOTE: Be sure to read and understand

Precautions When Servicing Your Vehicle at the beginning of this chapter.

| |
|----------------|
| WARNING |
|----------------|

| |
|--|
| The cooling fan is automatic and may come on at any time. Always disconnect the negative terminal of the battery before working near the fan. |
|--|

Your vehicle's coolant protects your engine from overheating in the summer and from freezing in the winter. Check the level of the coolant at least once a month. Simply look at the engine coolant reservoir located in the engine compartment. To locate the reservoir, see the diagram of your vehicle's engine under *Engine Type*, in this chapter.

Check the engine coolant level in the engine coolant reservoir at least once a month using the following guidelines.

When your vehicle's engine is cool, the coolant level in the engine coolant reservoir should be at the COLD FILL level marked on the coolant reservoir. If the level is below the cold fill level, coolant may need to be added.

The coolant additives also protect the entire cooling system from internal passageway corrosion and these additives lubricate the water pump. The coolant should be serviced as noted in the *Maintenance Schedule* booklet.

Adding Engine Coolant

| |
|----------------|
| WARNING |
|----------------|

| |
|--|
| Do not put engine coolant in the container for the windshield washer fluid. |
|--|

If sprayed on the windshield, engine coolant could make it difficult to see through the windshield.

When the engine is cool, add a 50/50 mixture of engine coolant and water to the engine coolant recovery reservoir — **DO NOT ADD DIRECTLY TO THE RADIATOR.** Add straight water only in an emergency, but you should replace it with a 50/50 mixture of coolant and distilled water as soon as possible.

Check the coolant level in the coolant recovery reservoir the next few times you drive the vehicle. If necessary, add enough of a 50/50 mixture of coolant and water to bring the liquid level to the fill line on the reservoir.

| |
|----------------|
| WARNING |
|----------------|

| |
|--|
| Never remove the coolant recovery cap while the engine is running or hot. |
|--|

If you must remove the coolant recovery cap, follow these steps to avoid personal injury:

1. Before you remove the cap, turn the engine off and let it cool.
2. When the engine is cool, wrap a thick cloth around the cap. Slowly turn cap counterclockwise to the first stop.
3. Step back while the pressure releases.
4. When you are sure that all the pressure has been released, use the cloth to press the cap down, turn it counterclockwise, and remove it.

Use Ford Premium Cooling System Fluid E2FZ-19549-AA (in Canada, Motorcraft CXC-8-B) or an equivalent premium engine coolant that meets Ford specification ESE-M97B44-A. Ford Premium Engine Coolant is an optimized formula that will protect all metals and rubber elastomers used in Ford cooling systems for 4 years or 50,000 miles (80,000 km).

Do not use alcohol or methanol antifreeze or any engine coolants mixed with alcohol or methanol antifreeze. Do not use supplemental coolant additives in your vehicle. These additives may harm your engine cooling system. The use of an improper coolant may void the warranty of your vehicle's engine cooling system.

Recycled engine coolant

Ford Motor Company recommends that Ford and Lincoln-Mercury dealers use recycled engine coolant produced by Ford-approved processes. Not all coolant recycling processes produce coolant which

meets Ford specification ESE-M97B44-A, and use of such coolant may harm engine and cooling system components.

Always dispose of used automotive fluids in a responsible manner. Follow your community's regulations and standards for recycling and disposing of automotive fluids.

Coolant refill capacity

To find out how much fluid your vehicle's cooling system can hold, refer to *Refill capacities* in the *Capacities and specifications* chapter.

Have your dealer check the engine cooling system for leaks if you have to add more than a quart (liter) of engine coolant per month.

Severe winter climate

If you drive in extremely cold climates (less than -34°F [-36°C]), it may be necessary to increase the coolant concentration above 50%. Refer to the chart on the coolant container to ensure the coolant

concentration in your vehicle is such that the coolant will not freeze at the temperature level in which you drive during winter months. Never increase the engine coolant concentration above 60%. Leave a 50/50 mixture of engine coolant and water in your vehicle year-round in non-extreme climates.

Proper procedures for a complete coolant drain and flush of the cooling system can be found in the *Car Service Manual*. Following these recommended procedures will ensure that the specified coolant level and a 50/50 or appropriate mixture of coolant and water is maintained.

Engine Coolant Refill Procedure

When the entire cooling system is drained and refilled, the following procedure should be used to ensure a complete fill:

NOTE: It is imperative the following procedure be adhered to. Failure to do so could result in damage to your engine.

- Remove coolant reservoir pressure cap.
- Remove the engine coolant outlet tube fill plug on the engine.
- With the engine off and cool, add a 50/50 mixture of recommended cooling system fluid and water to the coolant outlet tube fill neck until the reservoir is full.

NOTE: DO NOT FILL COOLANT SYSTEM THROUGH COOLANT RESERVOIR. COOLANT WILL NOT ENTER ENGINE, WHICH CAN LEAD TO ENGINE DAMAGE.

NOTE: Avoid spilling coolant on the front end accessory drive belt, as this will allow the belt to slip and become noisy.

- Reinstall the pressure cap to the coolant reservoir.
- Continue filling at the engine coolant tube fill neck slowly while allowing air to escape.

-
- Reinstall the engine coolant tube fill plug when the system is full.
 - Select maximum heater temperature and fan speed settings. Position control to discharge air at A/C vents in instrument panel.
 - Start engine and allow to idle. While engine is idling, feel for hot air at A/C vents.

NOTE: IF AIR DISCHARGE REMAINS COOL AND ENGINE TEMPERATURE GAUGE DOES NOT MOVE, **SHUT ENGINE OFF IMMEDIATELY.**

This is an indication of low coolant level and/or air pockets in coolant system. Allow engine to cool and repeat the previous steps.

- Allow to idle until normal operating temperature is reached. Hot air should discharge from A/C vents. The engine temperature gauge should maintain a stabilized reading in the middle of the "NORMAL" range and the lower radiator hose should feel hot to the touch.

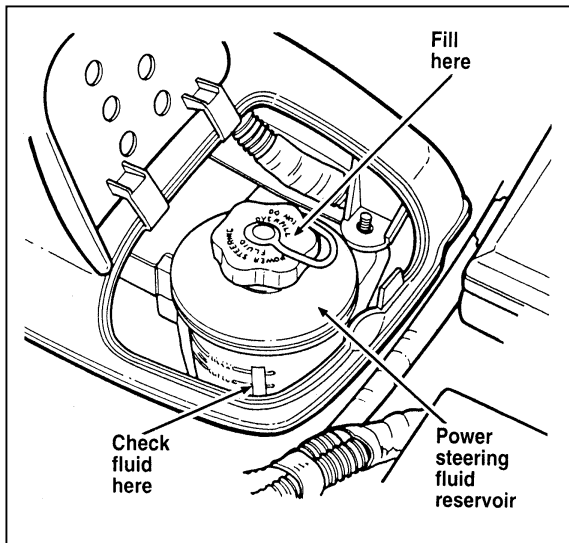
- Shut off the engine and allow to cool down.
- After the engine cools down, recheck the engine coolant level. Fill reservoir to the COLD-FULL level as required.
- Check for leaks at the draincock, block plug and vent plug.
- Recheck the engine coolant level, using the recommended procedure, after one or two occasions of vehicle use. Fill to COLD-FULL level as required.

Power Steering Fluid

Check the level of the power steering fluid at least twice a year (i.e., every Spring and Fall).

Checking and Adding Power Steering Fluid

1. Start the engine and let it run until the power steering fluid reaches normal operating temperature. The power steering fluid will be at the right temperature when the engine coolant temperature gauge in the instrument cluster is near the center of the NORMAL operating temperature range.
2. While the engine idles, turn the steering wheel back and forth several times. Make sure that the cap assembly is installed at this time.
3. Turn the engine off and check the level on the power steering reservoir.
4. The fluid level is viewed through the sight window on the power steering reservoir. If the power steering fluid is below the middle line, add fluid in small amounts, continuously checking the level. Do not overfill.



Fluid level for power steering

Use only MERCON® ATF power steering fluid.

If the power steering fluid is low, do not drive your vehicle for a long period of time before adding fluid. This can damage the power steering pump.

Automatic Transmission Fluid

Under normal circumstances, you do not need to check the fluid level of the transmission, since your vehicle does not use up transmission fluid. Refer to the *Maintenance Schedule* booklet for replacement intervals. However, if the transmission is not working properly — for instance, the transmission may slip or shift slowly, or you may notice some sign of fluid leakage — the fluid level should be checked.

It is preferable to check the transmission fluid level at normal operating temperature 150°F-170°F (66°C-77°C), after approximately 20 miles (30 km) of driving. However, if necessary, you can check the fluid level without having to drive 20 miles (30 km) to obtain a normal operating temperature if outside temperatures are above 50°F (10°C).

NOTE: If the vehicle has been operated for an extended period at high speeds or in city traffic during hot weather, or pulling a trailer, the vehicle should be turned off for about 30 minutes to allow the fluid to cool before checking.

Checking the Automatic Transmission Fluid

With the vehicle on a level surface and the brake fully applied, start the engine and move the gear shift selector through all of the gears allowing sufficient time for each position to engage. Securely latch the gear shift selector in the P (Park) position. Fully set the parking brake and leave the engine running.

NOTE: Your vehicle should not be driven if the fluid level does not appear on the dipstick tip and outside temperatures are above 50°F (10°C).

Wipe off the dipstick cap and pull the dipstick out. Wipe the indicator end clean. Put the dipstick back into the filler tube and make sure it is fully seated.

Pull the dipstick out and read the fluid level.

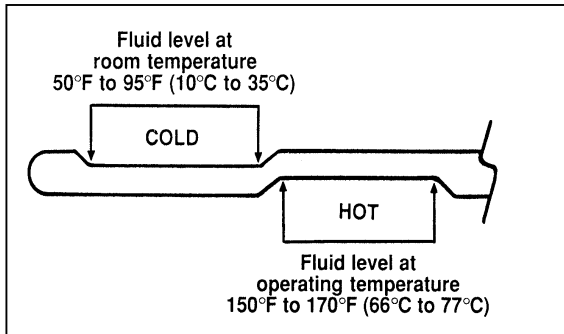
When checking fluid at normal operating temperatures 150°F-170°F (66°C-77°C), the fluid level should be within the “HOT” notched area on the dipstick. When the vehicle has not been driven, and outside temperatures are above 68°F (20°C), the fluid levels should be between the “HOT” notch and the tip end of the dipstick.

Adding Automatic Transmission Fluid

Before adding any fluid, be sure that the correct type will be used. Use only Mercon® Fluid, as shown on handle.

Add fluid in 1/2 pint (250ML) increments through the filler tube to bring the level to the correct area on the dipstick. DO NOT OVERFILL. If the level is above the top hole on the dipstick, excess fluid should be removed by a qualified technician.

NOTE: Always dispose of used automotive fluids in a responsible manner. Follow your community's standards for disposing of these types of fluids. Call your local recycling center to find out about recycling automotive fluids.



Automatic transmission dipstick

Battery

Your vehicle may have a Motorcraft maintenance-free battery. When the original equipment battery is replaced under warranty it may be replaced by a low-maintenance battery. See *Motorcraft Parts* at the end of this chapter for the proper replacement battery.

The low-maintenance battery has removable vent caps for checking the electrolyte level and adding water. The electrolyte level should be checked at least every 24 months or 24,000 miles (40,000 km) in temperatures up to 90°F (32°C) and more often in temperatures above 90°F (32°C). Keep the electrolyte level in each cell up to the level indicator. Do not overfill.

If the level gets low, refill the battery with distilled water. If necessary, you can add tap water to the battery, provided the water is not hard or does not have a high mineral or alkali content. If the battery needs water quite often, have the charging system checked for a possible malfunction.

Help Us Protect Our Environment

Ford Motor Company strongly recommends that used lead-acid batteries be returned to an authorized recycling facility for disposal.



Battery recycling symbol

Because your vehicle's engine is electronically controlled by a computer, some control conditions are maintained by power from the battery. If you ever disconnect the battery or install a new battery, you must allow the computer to "relearn" its idle conditions before your vehicle will drive properly. To let the engine do this, put the gearshift in P (Park), turn off all the accessories, and start the

vehicle. Let the engine idle for at least one minute. (Engine must be warm in order to "learn.") Also, allow approximately 10 miles (16 km) of stop and go traffic for your vehicle's engine to completely "relearn" its idle.

If you do not let the engine relearn its idle, the idle quality of your vehicle may be adversely affected until the idle is relearned. Your vehicle will eventually relearn its idle while you drive it, but it takes much longer than if you use the previous procedure.

Wiper Blades

Check the windshield wiper blades at least twice a year. Also check them whenever they seem less effective than usual. Substances such as tree sap and some hot wax treatments used by commercial car washes reduce the effectiveness of wiper blades.

If the blades do not wipe properly, clean both the windshield and the wiper blades. Use undiluted windshield washer solution or a mild detergent.

Rinse thoroughly with clear water. Do not use fuel, kerosene, paint thinner, or other solvents to clean your wiper blades. These will damage your blades.

To make reaching the wiper blades easy, simply turn the ignition to the ACC position and turn your wipers on. Wait for them to reach a vertical position and turn the ignition to the OFF position. Do not move the wipers manually. Manually moving the wipers across the windshield may damage them.

Wiper blade replacement

If the wiper blades still do not work properly after you clean them, you may need to replace the wiper blade assembly or the blade element. When replacing the wiper blade assembly, blade refill, or wiper arm always use a Motorcraft part or equivalent. To replace the blades, follow the instructions that come with them.

Tires

- Use an accurate tire pressure gauge.
- Check the tire pressure when tires are cold, after the vehicle has been parked for at least one hour or has been driven less than 3 miles (5 km).
- Adjust tire pressure to recommended specifications found on the Safety Compliance Certification Label.

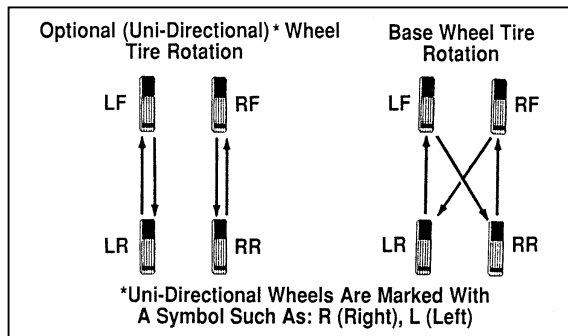
| WARNING |
|--|
| Improperly inflated tires can affect vehicle handling and can fail suddenly, possibly resulting in loss of vehicle control. |

Tire Rotation

Because your vehicle's front and rear tires perform different jobs, they often wear differently. To make sure your tires wear evenly and last longer, rotate them as indicated in the following diagram.

Do not include the spare tire as part of your rotation.

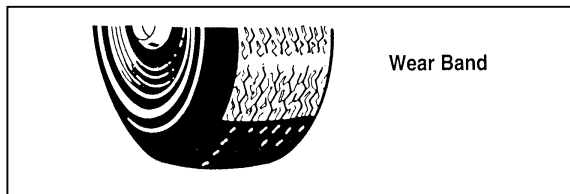
For tire rotation intervals, see the *Maintenance Schedule*. If you notice that the tires wear unevenly, have them checked.



Rotating the tires

Replacing the Tires

Replace any tires that show wear bands. When your tire shows a wear band, it has only 1/16 inch (2 mm) of tread left.



A worn-out tire

Because your vehicle's tires may wear unevenly, you may need to replace them before a wear band appears across the entire tread.

WARNING

When replacing full size tires, never mix radial, bias-belted, or bias-type tires. Use only the tire sizes that are listed on the tire pressure decal. Make sure that all tires are the same size, speed rating, and load-carrying capacity. Use only the tire combinations recommended on the decal. If you do not follow these precautions, your vehicle may not drive properly and safely.

Tires that are larger or smaller than your vehicle's original tires may also affect the accuracy of your speedometer.

Information About Tire Quality Grades

New vehicles are fitted with tires that have their Tire Quality Grade (described below) molded into the tire's sidewall. These Tire Quality Grades are determined by standards that the United States Department of Transportation has set.

Tire Quality Grades apply to new pneumatic tires for use on passenger cars. They do not apply to deep tread, winter-type snow tires, space-saver or temporary use spare tires, tires with nominal rim diameters of 10 to 12 inches or limited production tires as defined in Title 49 Code of Federal Regulations Part 575.104(c)(2).

U.S. Department of Transportation — Tire quality grades: The U.S. Department of Transportation requires Ford to give you the following information about tire grades exactly as the government has written it.

Treadwear

The treadwear grade is a comparative rating based on the wear rate of the tire when tested under controlled conditions on a specified government test course. For example, a tire graded 150 would wear one and one-half (1 1/2) times as well on the government course as a tire graded 100. The relative performance of tires depends upon the actual conditions of their use, however, and may depart significantly from the norm due to variations in driving habits, service practices and differences in road characteristics and climate.

Traction A B C

The traction grades, from highest to lowest, are A, B, and C, and they represent the tire's ability to stop on wet pavement as measured under controlled conditions on specified government test surfaces of asphalt and concrete. A tire marked C may have poor traction performance.

| WARNING |
|---------|
|---------|

| |
|---|
| The traction grade assigned to this tire is based on braking (straightahead) traction tests and does not include cornering (turning) traction. |
|---|

Temperature A B C

The temperature grades are A (the highest), B, and C, representing the tire's resistance to the generation of heat and its ability to dissipate heat when tested under controlled conditions on a specified indoor laboratory test wheel. Sustained high temperature can cause the material of the tire to degenerate and reduce tire life, and excessive temperature can lead to sudden tire failure. The grade C corresponds to a level of performance which all passenger car tires must meet under the Federal Motor Vehicle Safety Standard No. 109. Grades B and A represent higher levels of performance on the laboratory test wheel than the minimum required by law.

| WARNING |
|---------|
|---------|

| |
|--|
| The temperature grade for this tire is established for a tire that is properly inflated and not overloaded. Excessive speed, underinflation, or excessive loading, either separately or in combination, can cause heat buildup and possible tire failure. |
|--|

Snow tires

| WARNING |
|---------|
|---------|

| |
|---|
| Driving too fast for conditions creates the possibility of loss of vehicle control. Driving at very high speeds for extended periods of time may result in damage to vehicle components. |
|---|

The all weather tread pattern on your tires helps maintain traction in rain or snow. However, to achieve the best traction in snow and ice conditions, you may need to use snow tires.

To prevent body damage, do not use snow chains on your Mark VIII.

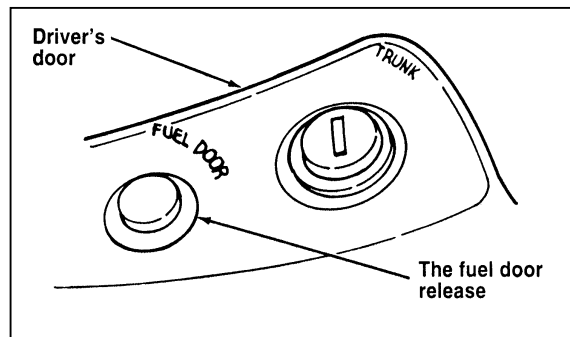
| |
|----------------|
| WARNING |
|----------------|

| |
|--|
| Snow tires must be the same size and grade as the tires you currently have on your vehicle. |
|--|

Filling the Fuel Tank

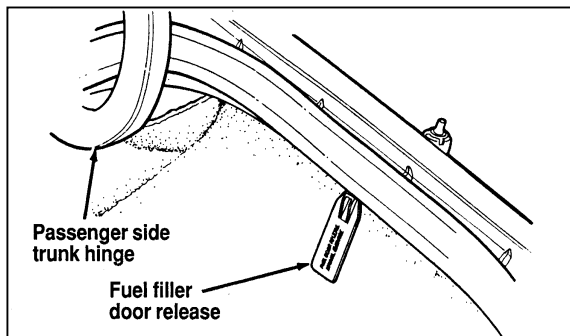
Your vehicle is equipped with a locking fuel door, open the fuel door by pressing the release button located on the driver's side door, forward of the armrest.

The fuel door is outside the car on the passenger side near the back. To fill the fuel tank:



The remote fuel door release

If the fuel door does not open when you push the release button, open the trunk and find the override release on the right side. The override release is a handle which says FUEL FILLER DOOR RELEASE MANUAL OVERRIDE. Open the fuel door by pulling on the handle.



The fuel filler door manual release — located inside the trunk

1. Turn the engine off. After opening the fuel door, remove the cap carefully and slowly by pushing it down and turning it counterclockwise 1/8 turn until it stops. Pull to remove the cap. A tether attaches the cap to the fuel filler pipe.

WARNING

The fuel system may be under pressure. If the fuel cap is venting vapor or if you hear a hissing sound, wait until it stops before completely removing the cap.

2. Make sure that you pump premium unleaded fuel and put the nozzle all the way inside the fuel filler pipe.

NOTE: If you spill any fuel on the body of your vehicle, clean it off immediately. The fuel may dull or soften the paint if you do not wash it off.

-
3. To replace the fuel cap, align the tabs on the cap with the notches on the filler pipe. Push down and turn it clockwise until it stops.
 4. Push the fuel door closed.

| |
|----------------|
| WARNING |
|----------------|

| |
|---|
| If you do not use the proper fuel cap, the pressure in the fuel tank can damage the fuel system or cause it to work improperly in a collision. |
|---|

NOTE: If you replace your fuel cap with an aftermarket fuel filler cap, the customer warranty may be void for any damage to the fuel tank and/or fuel system.

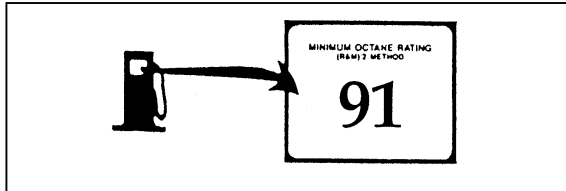
Choosing the Right Fuel

Use only UNLEADED FUEL. The use of leaded fuel is prohibited by law and could damage your vehicle.

Your vehicle was not designed to use fuel containing manganese-based additives such as MMT. Additionally, vehicles certified to California emission standards (indicated on the underhood Vehicle Emissions Control Information label) are designed to operate on California reformulated gasolines. If California reformulated gasoline is not available when you refuel, your vehicle can be operated on non-California fuels. However, even though your engine will perform adequately on other gasolines, the performance of the emission control devices and systems may be adversely affected. Repair of damage caused by using a fuel that your vehicle was not designed for may not be covered by your warranty.

Octane recommendation

Your vehicle is designed to use premium gasoline for optimum performance with an (R+M)/2 octane rating of 91 or higher. Gasolines with lower octane ratings can be used, but performance and fuel economy may decrease. We do not recommend gasolines labeled as “premium” in high altitude areas that are sold with octane ratings less than 91.



Typical octane rating label

Do not be concerned if your vehicle sometimes knocks lightly. However, if it knocks heavily under most driving conditions on the recommended octane fuel, see your dealer or a qualified service technician to prevent any engine damage.

Fuel quality

If you are experiencing starting, rough idle or hesitation problems try a different brand of fuel. If the condition persists, see your dealer or a qualified service technician.

The American Automobile Manufacturers Association (AAMA) issued a gasoline specification to provide information on high quality fuels that optimize the performance of your vehicle. We recommend the use of gasolines that meet the AAMA specification if they are available.

It should not be necessary to add any aftermarket products to your fuel tank if you continue to use a high-quality fuel.

Cleaner Air

Ford approves the use of gasolines to improve air quality, including reformulated gasolines that contain oxygenates such as a maximum of 10% ethanol or 15% MTBE. There should be no more than 5% methanol with cosolvents and additives to protect the fuel system.

Safety Information Relating to Automotive Fuels

| |
|----------------|
| WARNING |
|----------------|

| |
|---|
| Automotive fuels can cause serious injury or death if misused or mishandled. |
|---|

- Turn vehicle off when refueling.
- Do not smoke when refueling. Fuels are extremely flammable.
- Do not siphon any fuel by mouth.

| |
|----------------|
| WARNING |
|----------------|

| |
|---|
| Gasoline or gasoline blended with methanol can cause blindness and possible death when swallowed. If any fuel is swallowed, call a physician or poison control center immediately. |
|---|

- Avoid breathing vapors while refueling.
- If fuel is splashed on the skin, wash with soap and water.
- If fuel is splashed in the eyes, remove contact lenses (if worn), flush with water for 15 minutes, and seek medical attention.

Gasoline and gasoline blends may contain small amounts of carcinogens, such as benzene. Long-term exposure to unleaded gasoline vapors has caused cancer in laboratory animals.

If you are taking the medication “Antabuse” or other forms of disulfiram for the treatment of alcoholism, vapor or skin contact with a gasoline-methanol blend, may cause the same kind of adverse reaction as drinking an alcoholic beverage. In sensitive individuals, serious personal injury or sickness could result. Consult a physician promptly if you experience an adverse reaction.

Running Out of Fuel

NOTE: Avoid running out of fuel because this situation may have an adverse effect on modern powertrain components.

You may need to crank the engine several times before the fuel system starts to pump fuel from the tank to the engine.

If the engine does not start, check the fuel pump shut-off switch and reset as required. See *Fuel pump shut-off switch* in the Index.

| WARNING |
|---|
| Never pour fuel in the throttle body or attempt to start the engine with the air cleaner removed. Doing so could result in fire and personal injury. |

Fuel Economy

Fuel economy is an estimate of the efficiency of your vehicle and can be calculated as Miles Per Gallon (MPG) or Liters Per 100 Kilometers (L/100K).

Do not calculate fuel economy during your vehicle's break-in period. This would not be an accurate estimate of how much fuel your vehicle will normally use.

To calculate fuel economy:

1. Fill the tank completely and record the initial odometer reading.
 2. Every time you buy fuel record the amount (in gallons or liters) purchased.
 3. After at least three to five tankfuls, fill the fuel tank and record the final odometer reading.
 4. Use these equations to calculate your fuel economy.
- English: $\text{MPG} = (\text{total miles})/(\text{gallons used})$.
 - Metric: $\text{L}/100\text{K} = (\text{liters used}) \times 100/(\text{total kilometers})$

Comparisons With Environmental Protection Agency (EPA) and Transport Canada (TC) Fuel Economy Estimates

EPA fuel economy figures are obtained from laboratory tests under simulated road conditions and may not reflect the actual conditions you experience or your style of driving. The EPA fuel economy estimate is not a guarantee that you will achieve the fuel economy shown.

The following decrease fuel economy:

- Lack of regular, scheduled maintenance
- Rapid acceleration and excessive speed
- Driving with your foot on the brake
- Sudden stops
- Extended engine idling
- Using speed control in hilly terrain

-
- Extended use of the A/C, defroster, rear window defroster and other accessories
 - Underinflated tires
 - Heavy loads
 - Aftermarket add-ons such as bike, ski or luggage racks, bug deflectors, etc.

Self-Service Pointers

If you choose to do your own fueling, you should also perform a few simple maintenance routines. This extra effort will save you additional money and contribute to the driving efficiency of your vehicle.

The following procedures require only a tire gauge, a rag, an oil can spout and windshield washer fluid.

- Check the engine oil at every refueling stop
- Clean the windshield, outside mirrors and headlights
- Check windshield washer fluid

- Check tires for excessive wear or worn edges
- Check the tire pressure at least monthly

Emission Control System

Your vehicle is equipped with a catalytic converter which enables your vehicle to comply with applicable exhaust emission requirements.

| WARNING |
|--|
| <p>Exhaust leaks may result in the entry of harmful and potentially lethal fumes into the passenger compartment. Under extreme conditions excessive exhaust temperatures could damage the fuel system, the interior floor covering, or other vehicle components, possibly causing a fire.</p> |

To make sure that the catalytic converter and the other emission control parts continue to work properly:

- Use only premium unleaded fuel.
- Avoid running out of fuel.
- Do not turn off the ignition while your vehicle is moving, especially at high speeds.
- Do not push start your vehicle.
- Have the services listed in the *Maintenance Schedule* booklet performed according to the specified schedule. The scheduled maintenance services are required because they are considered essential to the life and performance of your vehicle and to its emissions system.

In general, maintenance, replacement, or service of the emissions control devices or systems in your new Ford Motor Company vehicle or engine may be performed at your expense by any automotive repair establishment or individual using automotive parts equivalent to those which your vehicle or engine was originally equipped.

Ford strongly recommends the use of genuine Ford replacement parts. If other than Ford or Motorcraft parts or Ford authorized remanufactured parts are used for maintenance replacements or for the service of components affecting emission control, such non-Ford parts should be equivalent to genuine Ford Motor Company parts in performance and durability. It is the owner's responsibility to determine the equivalency of such parts. Please consult your warranty booklet for complete warranty information.

| |
|----------------|
| WARNING |
|----------------|

| |
|---|
| Do not park, idle, or drive your vehicle in dry grass or other dry ground cover. The emission system heats up the engine compartment and exhaust system, which can start a fire. |
|---|

Watch for fluid leaks, strange odors, smoke, loss of oil pressure, the charge warning light, the check engine light, or the temperature warning light. These sometimes indicate that the emission system is not working properly.

Do not make any unauthorized changes to your vehicle or engine. Changes that cause more unburned fuel to reach the exhaust system can increase the temperature of the engine or exhaust system.

By law, anyone who manufactures, repairs, services, sells, leases, trades vehicles, or supervises a fleet of vehicles is not permitted to intentionally remove an emission control device or prevent it from working. In some of the United States and in Canada, vehicle owners may be liable if their emission control device is removed or is prevented from working.

Do not drive your vehicle if it does not operate properly. See your dealer if the engine runs on for more than five seconds after you shut it off or if it misfires, surges, stalls, or backfires.

Information about your vehicle's emission control system is on the Vehicle Emission Control Information decal located on or near the engine. This decal identifies engine displacement and gives some tune-up specifications.

How to Prepare Your Vehicle for Inspection/Maintenance (I/M) Testing

In some localities it may become a legal requirement to pass an Inspection/Maintenance (I/M) test of the On-Board Diagnostic (OBD) II system. If the vehicle's powertrain system or its battery has just been serviced, the OBD II system is reset to a not ready for I/M testing condition. To prepare for I/M testing, the law specifies that additional mixed city and highway driving is required to complete the check of the OBD II system.

The driving modes required to reach the ready condition consist of a minimum of 30 minutes of city and highway driving as described below:

- At least twenty minutes driving in stop and go, city type traffic with at least four idle periods.
- At least ten minutes of driving on an expressway or highway.

Before completing the above driving modes, the engine must be warmed up and at operating temperature. Once started, the vehicle must not be turned off during these driving modes.

Lights and Bulb Replacement

It is a good idea to check the operation of the following lights frequently:

- headlamps
- high-mount brakelamp
- tail lamps
- brakelamps
- hazard flasher
- turn signals
- license plate lamps

The alignment of your headlamps should be checked if:

- oncoming motorists frequently signal you to turn off your vehicle's high beams when you do not have the high beams on
- the headlamps do not seem to give you enough light to see clearly at night
- the headlamp beams are pointed substantially away from a position slightly down and to the right

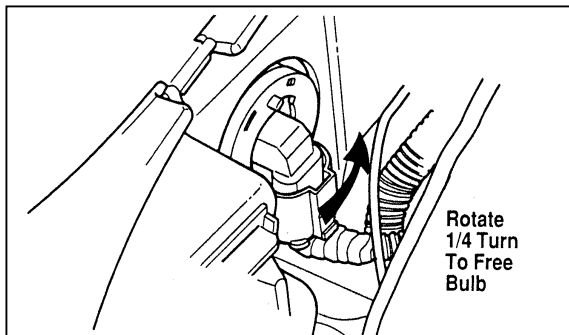
Headlamp Bulb

The low beam headlamps on your vehicle use a "high intensity discharge" source. These lamps operate at a high voltage. The bulb is **NOT** replaceable. When the bulb is burned out, the lamp assembly must be replaced by your dealer or a qualified technician.

The high beam headlamps on your vehicle use halogen bulbs. When the lamp burns out, simply replace the bulb, rather than the whole lamp.

| WARNING |
|---|
| <p>Handle a halogen headlamp bulb carefully and keep out of children's reach. Grasp the bulb only by its plastic base and do not touch the glass. The oil from your hand could cause the bulb to break the next time the headlamps are operated.</p> |

Do not remove the burned-out bulb unless you can immediately replace it with a new one. If a bulb is removed for an extended period of time, contaminants may enter the headlamp housing and affect its performance.



Headlamp bulb removal

Removing the high beam headlamp bulb

1. Make sure that the headlamp switch is in the OFF position.
2. Lift the hood, remove the sight shield above the headlamp and find the bulb in the headlamp socket.

3. Remove the high beam dust cap by rotating counterclockwise 1/4 turn. Pull back to exposes wiring and connector.
4. Remove the bulb connector by pulling rearward to free it from the lamp assembly.
5. Remove the electrical connector by pulling off the bulb base.

Installing the high beam headlamp bulb

1. Push the electrical connector into the rear of the plastic base of the bulb until it snaps, locking it into position.
2. Insert the glass envelope of the bulb into the lamp assembly socket while aligning the locking tabs.
3. Rotate the bulb 1/4 turn to lock.

-
4. Replace the high beam dust cap by aligning tabs and rotating clockwise 1/4 turn.
 5. Replace the sight shield.

Aiming Headlamps

Your vehicle is equipped with a Vehicle Headlamp Aim Device (VHAD) on each headlamp body. Each headlamp may be properly aimed in the horizontal direction (left/right) and the vertical position (up/down).

NOTE: A non-zero bubble reading does not necessarily indicate out-of-aim headlamps. If your vehicle is not positioned on a level surface, the slope will be included in the level indicator. Therefore, vertical headlamp adjustment should be performed only when beam direction appears to be incorrect or a level surface can be verified.

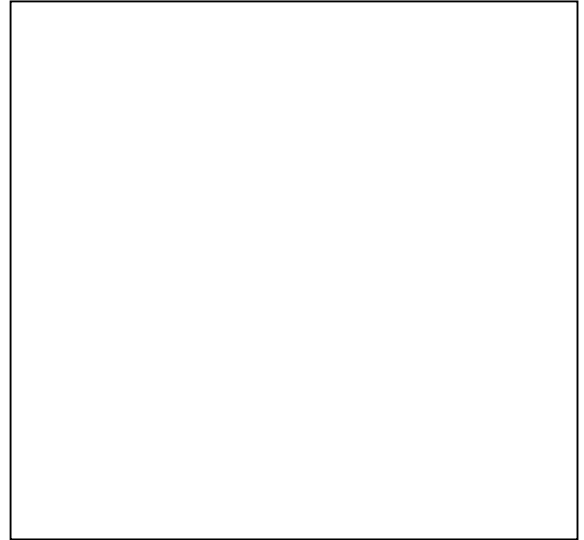
Tools required: One 6mm socket and ratchet.

The Horizontal aim must be adjusted first.

NOTE: The following procedure assumes that the vehicle's front structure is in factory alignment condition. If the vehicle has been in an accident requiring the front end of the vehicle to be repaired, the horizontal indicator should be recalibrated by the servicing facility.

Before adjusting your headlamps, you must make sure that the air suspension has been adjusted to the proper ride height. In order to do this:

1. Position the vehicle on a level surface.
2. Make sure the air suspension switch in the luggage compartment is in the ON position.
3. Turn the ignition key to the ON position.
4. Open and close the driver's door to allow the air suspension to fully level.



Horizontal aim adjustment

1. Open the hood and lift the front end cover from its velcro attachments. Locate the horizontal level indicator and adjustment screw.
2. Use a 6mm socket and ratchet to turn the horizontal adjusting screw until the horizontal indicator is in line with the “0” reference.

Vertical aim adjustment

NOTE: The numbers shown on the vial indicate beam direction in degrees up or down.

1. Locate the vertical level indicator and adjustment screw.
2. Use a 6mm socket and ratchet to turn the vertical adjustment screw until the bubble in the horizontal level indicator is centered in the vial.
3. Replace the sight shield and close the hood.

Bulb specifications

Cleaning Your Vehicle

Washing and Polishing Your Vehicle

Wash the outside of your vehicle, including the underside, with a mild detergent.

DO NOT:

- Wash your vehicle with hot water
- Wash your vehicle while it sits in direct sunlight
- Wash your vehicle while the body is hot

Pollen, bird droppings and tree sap can damage the paint, especially in hot weather. Wash your vehicle as often as necessary to keep it clean.

Take similar precautions if your vehicle is exposed to chemical industrial fallout.

Paint damage resulting from fallout is not related to a defect in paint materials or workmanship and therefore is not covered by warranty. Ford, however, believes that continual improvement in customer satisfaction is a high priority. For this reason, Ford has authorized its dealers to repair, at no charge to the owner, the surfaces of new vehicles damaged by environmental fallout within 12 months or 12,000 miles (20,000 km) of purchase, whichever comes first. Customers may be required to bring their vehicle in for inspection by a Ford representative.

Polish your vehicle to remove harmful deposits and protect the finish.

Cleaning Chrome and Aluminum Parts

Wash chrome and aluminum parts with a mild detergent. Do not use steel wool, abrasive cleaners, fuel, or strong detergents.

Cleaning Plastic Parts

Some of your vehicle's exterior trim parts are plastic. Clean with a tar and road oil remover if necessary. Use a vinyl cleaner for routine cleaning.

Do not clean plastic parts with thinners, solvents or petroleum-based cleaners.

If you have your vehicle rustproofed, remove oversprayed rustproofing with a tar and road oil remover. If rustproofing is not removed from plastic and rubber parts, it can cause deterioration.

Cleaning the Safety Belts

Clean the safety belts with any mild soap solution that is recommended for cleaning upholstery or carpets. Do not bleach or dye the belt webbing because this may weaken it.

Clean the instrument panel lens and woodtone trim with a soft cloth and a glass cleaner. Do not use paper towel or any abrasive cleaner to clean either the lens or the woodtone trim as these may cause scratches.

Cleaning the Exterior Lamps

Do not use dry paper towel, chemical solvents or abrasive cleaners to clean the lamps, as these may cause scratches or crack the lamps.

Cleaning the Interior Lamps

Your interior dome lamps and map lamps are plastic and should be cleaned with a mild detergent diluted in water. Rinse them with clear water.

Cleaning the Seats

Leather

For routine cleaning, wipe the surface with a soft, damp cloth. For more thorough cleaning, wipe the surface with a leather and vinyl cleaner or a mild soap.

Wipe the surface with a damp, soft cloth, then dry and buff with a dry, soft cloth.

Cleaning the Wheels

Wash the wheels with the same detergent you use to wash your vehicle's body. Do not use acid-based wheel cleaners, steel wool, abrasives, fuel, or strong detergents. These substances will damage protective coatings. Use tar and road oil remover to remove grease and tar.

NOTE: Before going to a car wash, find out if the brushes are abrasive.

Capacities and Specifications

Refill Capacities, Motorcraft Parts, and Lubricant Specifications

Motorcraft Parts

| If you replace these parts... | Use the Motorcraft Service Part with this part number |
|---|---|
| • spark plug* | AWSF-32EE** |
| • air filter | FA-1602 |
| • fuel filter | FG-881 |
| • oil filter | FL-820 |
| • battery | |
| standard | BXT-65-650 |
| heavy duty or optional | BXT-65-850 |
| • pcv | EV-111 |
| <p>* Refer to Vehicle Emission Control Information (VECI) decal for spark plug and gap specifications.</p> <p>** If a spark plug is removed for examination, it must be reinstalled in the same cylinder.</p> <p>Cylinders #1, #2, #3, #4 have a EG suffix.</p> <p>Cylinders #5, #6, #7, #8 have a E suffix.</p> <p>If a spark plug needs to be replaced, use only spark plugs with the service number suffix letter "EE" as shown on the engine decal.</p> | |

Fluid Specifications and Capacities

| Component | U.S. | Metric |
|---|--------------|-------------|
| Cooling system (including heater) | 16.0 qts. | 15.1 liters |
| Engine oil* | 6.0 qts. | 5.7 liters |
| Transmission* Auto. overdrive | 12.8 qts. | 12.0 liters |
| Rear axle ① 8.8" ring gear (conventional) | 3.0 pints | 1.4 liters |
| Power steering | 2.4 pints | 1.2 liters |
| Fuel tank | 18.0 gallons | 68.1 liters |
| Coolant reservoir cap | 16 psi | 110 kPa |
| * Dipstick is used to determine the exact fill requirements. ① Service refill capacities are determined by filling the rear axle to the bottom of filler hole. | | |

NOTE: Rear axle lube quantities must be replaced every 100,000 miles (160,000 km) or if the axle has been submerged in water. Otherwise, the lube should not be checked or changed unless a leak is suspected or repair required.

Lubricant Specifications

| Item | Ford Part No. | Part Name | Ford Specification |
|--|----------------------|---|---|
| Hinges, Hood Latch and Auxiliary Catch | D0AZ-19584-AA | Multi-Purpose Grease | ESR-M1C159-A and ESB-M1C93-B |
| Brake Master Cylinder | C6AZ-19542-AA | Ford High Performance DOT 3 Brake Fluid | ESA-M6C25-A |
| Tie Rods | XG-1-C | Premium Long Life Grease | ESA-M1C75-B |
| Lock Cylinder | E8AZ-19A501-B | Ford Penetrating Lubricant | N/A |
| Door Weatherstrips | C0AZ-19553-AA | Silicone Lube | ESR-M13P4-A |
| Rear Axle Conv. and Traction-Lok(1) | XY-80W90-QL or -KL | Premium Rear Axle Lubricant | WSP-M2C197-A |
| Power Steering (Pump Reservoir) | XT-2-QDX | Motorcraft MERCON® Auto. Trans. Fluid | MERCON® |
| Automatic Overdrive (4R70W) Transmission | XT-QDX | Motorcraft MERCON® Auto. Trans. Fluid | MERCON® |
| Throttle Valve (TV) Linkage | XG-1-C | Premium Long Life Grease | ESA-M1C75-B |
| Engine Oil Filter | F1AZ-6731-A (FL-820) | Motorcraft Oil Filter Long Life Type | ES-F1AE-6714-AB |
| Engine Oil | X0-5W30-Q5P | Motorcraft 5W30 Super Premium | ESE-M2C153-E and API Certification Mark |
| Engine Coolant | E2FZ-19549-AA | Ford Cooling System Fluid | ESE-M97B44-A |

(1) For Traction-Lok Axle add 2 oz. of F3TZ-1913546-MA Friction Modifier (WSP-M2C196-A) for complete refill of rear axle.

NOTE: Rear axle lube quantities must be replaced every 100,000 miles (160,000 km) or if the axle has been submerged in water. Otherwise, the lube should not be checked or changed unless a leak is suspected or repair required.

Vehicle Storage

Maintenance Tips

If you plan on storing your vehicle for an extended period of time (60 days or more), refer to the following maintenance recommendations to ensure your vehicle stays in good operating condition.

General

- Store all vehicles in a dry, ventilated place.
- Protect from sunlight, if possible.
- If vehicles are stored outside, they require regular maintenance to protect against rust and damage.

Body

- Wash vehicle thoroughly to remove dirt, grease, oil, tar or mud from exterior surfaces, rear wheel housing and underside of front fenders.
- Periodically wash vehicles stored in exposed locations.
- Touch-up raw or primed metal to prevent rust.
- Cover chrome and stainless steel parts with a thick coat of auto wax to prevent discoloration. Re-wax as necessary when the vehicle is washed.
- Lubricate all hood, door and trunk lid hinges and latches with a light grade oil.
- Cover interior soft trim to prevent fading.
- Keep all rubber parts free from oil and solvents.

Engine

- Start engine every 15 days. Run at fast idle until it reaches normal operating temperature.
- With your foot on the brake, shift through all the gears while the engine is running.

Fuel system

- Fill fuel tank with high-quality, premium unleaded fuel until the first automatic shutoff of the fuel pump nozzle.

NOTE: During extended periods of vehicle storage (60 days or more), fuel may deteriorate due to oxidation. This can damage rubber and other polymers in the fuel system and may also clog small orifices.

Ford Gas Stabilizer should be added whenever actual or expected storage periods exceed 60 days. Follow the instructions on the label. The vehicle should then be operated at idle speed to circulate the additive throughout the fuel system.

A volatile corrosion inhibitor added to the fuel system will protect the fuel system's inner surfaces from corrosion. Follow the instructions packaged with the product.

Cooling system

- Protect against freezing temperatures.

Battery

- Check and recharge as necessary.
- Keep connections clean and covered with a light coat of grease.
- If storing your vehicle for more than 30 days without recharging the battery, disconnect the battery cables to ensure battery charge is maintained for quick starting. NOTE: If battery cables are disconnected, it will be necessary to reset any memory features (eg. radio presets).

Brakes

- Make sure brakes and parking brake are fully released.

Tires

- Maintain recommended air pressures.

Miscellaneous

- Make sure all linkages, cables, levers and clevis pins under vehicle are covered with grease to prevent rust.
- Move vehicles at least 25 feet (8 m) every 15 days to lubricate working parts and prevent corrosion.

Reporting Safety Defects (U.S. Only)

Reporting Safety Defects (U.S. Only)

If you believe that your vehicle has a defect which could cause a crash or could cause injury or death, you should immediately inform the National Highway Traffic Safety Administration (NHTSA) in addition to notifying Ford Motor Company.

If NHTSA receives similar complaints, it may open an investigation, and if it finds that a safety defect exists in a group of vehicles, it may order a recall and remedy campaign. However, NHTSA cannot become involved in individual problems between you, your dealer, or Ford Motor Company.

To contact NHTSA, you may either call the Auto Safety Hotline toll-free at 1-800-424-9393 (or 366-0123 in the Washington, D.C. area) or write to: NHTSA, U.S. Department of Transportation, 400 Seventh Street, Washington D.C. 20590. You can also obtain other information about motor vehicle safety from the Hotline.

Customer Assistance

If You Have a Service Problem

Ford Motor Company has authorized Ford and Lincoln-Mercury dealerships that can service your vehicle for you. This chapter tells you how to get service or maintenance for your vehicle.

Service/Maintenance Concerns (U.S. or Canada)

Ford recommends taking your vehicle to your selling dealer who wants to ensure your continued satisfaction. You may, however, take your vehicle to any authorized Ford or Lincoln-Mercury dealer. In most cases, your dealer will be able to resolve your concern.

If you are not satisfied with the service you received from your dealership's service department, talk to the service manager at the dealership, or if

you still are not satisfied, talk to the owner or general manager of the dealership. In most cases, you will have your concern resolved at this level.

If you are away from home when your vehicle needs to be serviced, or if you need more help than the dealer gave you, contact the Ford Customer Assistance Center to find an authorized dealership that may be able to help you.

| |
|---|
| <p>Ford Motor Company Lincoln Customer Assistance Center 300 Renaissance Center P.O. Box 43360 Detroit, MI 48243 1-800-521-4140 TDD for the hearing impaired: 1-800-232-5952</p> |
|---|

If you have any questions or concerns that the dealership cannot answer, contact the Customer Assistance Center.

If you still have a complaint involving a warranty dispute, you may wish to contact the Dispute Settlement Board (U.S. only) or the Canadian Motor Vehicle Arbitration Plan (CAMVAP) in Canada.

A warranty dispute must be submitted to the Dispute Settlement Board before taking action under the Magnuson-Moss Warranty Act, or to the extent allowed by state law, before pursuing replacement or repurchase remedies provided by certain state laws. This dispute handling procedure is not required prior to enforcing state created rights or other rights which are independent of the Magnuson-Moss Warranty Act or state replacement or repurchase laws.

The Dispute Settlement Board (U.S. Only)

The Dispute Settlement Board is:

- an independent, third-party arbitration program for warranty disputes
- available free to owners and lessees of qualifying Ford Motor Company vehicles

The Dispute Settlement Board may not be available in all states. Ford Motor Company reserves the right to change eligibility limitations, modify procedures and/or to discontinue this service without notice and without incurring obligations.

What Kind of Cases Does the Board Review?

The Board reviews all warranty performance complaints on Ford, Mercury and Lincoln cars and Ford and Mercury light trucks under the new vehicle limited warranty that have not been resolved by either a dealer or Ford Motor Company, except those involving:

- a non-Ford product
- a non-Ford dealership
- a vehicle sales transaction
- request for reimbursement of consequential expenses. Expenses incidental to the warranty complaint being reviewed are eligible for consideration.
- items not covered by the new vehicle limited warranty
- items covered by a service contract
- alleged liability claims
- property damage where the damage is significant when compared to the economic loss alleged under the warranty dispute
- cases currently in litigation
- vehicles not used primarily for family, personal, or household purposes (except in states where the Dispute Settlement Board is required to review commercial vehicles)

Complaints involving vehicles in which applicable new vehicle limited warranties have expired at receipt of your application are not eligible. Eligibility may differ according to state law. For example, see the unique brochures for California and Wisconsin purchasers/lessees.

How does the Board Work?

The Board consists of:

- three consumer representatives
- a Ford or Lincoln/Mercury dealer

Consumer candidates for Board membership are recruited and trained by an independent consulting firm. Dealers are chosen because of their business leadership qualities.

What the Board needs

To have your case reviewed you must complete the application in the DSB brochure and mail it to the address provided on the application form.

Your application is reviewed and, if it is determined to be eligible, you will receive an acknowledgment indicating:

- the file number assigned to your application
- the toll-free phone number of the DSB's independent administrator

Your dealership and a Ford Motor Company representative are asked to submit statements at this time.

To review your case properly, the Board needs the following information:

- legible copies of all documents and maintenance or repair orders relevant to the case
- the year, make, model, and Vehicle Identification Number (VIN) listed on your vehicle ownership license
- the date of repair(s) and mileage at the time of occurrence(s)
- the current mileage
- the name of the dealer who sold or serviced the vehicle
- a brief description of your unresolved concern

-
- a brief summary of the action taken with the dealer and Ford Motor Company
 - the names (if known) of all the people you contacted at the dealership
 - a description of the action you expect to resolve your concern

Should your case NOT qualify for review, a letter of explanation will be mailed to you.

Oral presentations

If the involved vehicle is within 36 months and 36,000 miles of the warranty start date, you have the right to make an oral presentation before the Board. Indicate your choice to do so on the application. Oral presentations may also be requested by the Board.

Making a decision

Board members will review all available information related to the complaint, including oral presentations, if necessary. They then arrive at a fair and impartial decision, decided by a simple majority vote.

Because the Board usually meets only once a month, some cases may take longer than 30 days to be reviewed. The Board makes every effort to resolve each case within 40 days of receiving the consumer application form.

After your case is reviewed, the Board mails you a decision letter. The Board also provides a form on which to accept or reject the Board's decision. The decisions of the Board are binding on the dealer and Ford, but not on consumers who may elect to pursue other remedies available to them under state or federal law. Decisions of the Board may be presented as evidence by any party in subsequent legal proceedings that may be initiated, where allowed by law.

To Request a DSB Brochure/Application

For a brochure/application, speak to your dealer or write to the Board at the following address:

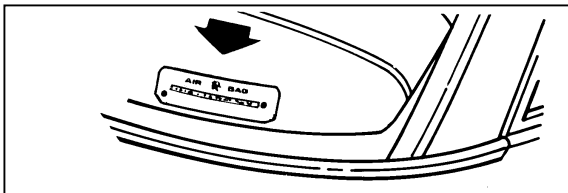
Ford of Canada Customer Assistance

If you live in Canada and have any questions or concerns that the dealership cannot answer, contact the Lincoln Centre.

The Lincoln Centre
Ford Motor Company of Canada, Limited
P.O. Box 1580, Station B
Mississauga, Ontario L4Y 4G3
1-800-387-9333

Please have the following information available when contacting the Lincoln Centre:

- your telephone number (both business and home)
- the name of the dealer and the city where the dealership is located
- the year and make of your vehicle
- the date purchased
- the current mileage on your vehicle
- your Vehicle Identification Number (VIN) listed on your vehicle ownership license



Vehicle Identification Number (VIN/Serial Number)

Mediation/Arbitration Program (Canada Only)

In those cases where you continue to feel that the efforts by Ford and the dealer to resolve a factory-related vehicle service concern have been unsatisfactory, Ford of Canada participates in an impartial third party mediation/arbitration program administered by the Canadian Motor Vehicle Arbitration Plan (CAMVAP).

The CAMVAP program is a straight-forward and relatively speedy alternative to resolve a disagreement when all other efforts to produce a settlement have failed. This procedure is without cost to you and is designed to eliminate the need for lengthy and expensive legal proceedings.

In the CAMVAP program, impartial third-party Arbitrators conduct hearings at mutually convenient times and places in an informal environment. These impartial Arbitrators review the positions of the parties, make decisions and, where appropriate, render awards to resolve disputes. CAMVAP decisions are fast, fair and final as the arbitrator's award is binding on both you and Ford of Canada.

CAMVAP services are available in all territories and provinces, except Quebec. For more information, without charge or obligation, call your CAMVAP Provincial Administrator directly at 1-800-207-0685.

Getting Help Outside the U.S. and Canada

Before you export your vehicle to a foreign country, contact the appropriate foreign embassy or consulate to make sure local regulations do not prevent you from registering your vehicle. Officials at the embassy can also help you decide whether you should import your vehicle to that country.

Officials at the embassy or consulate can tell you where to get unleaded fuel. If you cannot get unleaded fuel or can get only fuel with an anti-knock index that is lower than your vehicle needs, contact a district or owner relations office before you leave the U.S. or Canada.

Use of leaded fuel in your vehicle without a proper conversion may damage the effectiveness of your emissions control system and may cause engine knocking or serious engine damage. Ford Motor Company is not responsible for any damage that is caused by use of improper fuel.

You may also have difficulty importing your vehicle back into the U.S. if you use leaded fuel.

If your vehicle must be serviced while you are traveling or living in Central or South America, the Caribbean, or the Middle East, contact the nearest Ford dealership. If the dealership cannot help you, write to:

**Ford Motor Company
Worldwide Export Operations
1555 Fairlane Business
Park #3
Allen Park, MI 48101
U.S.A.
Phone: 313-594-4857**

If you are in other foreign countries, contact the nearest Ford dealership. If the dealership cannot help you, they can direct you to the appropriate Ford affiliate office.

If you buy your vehicle in North America and then relocate outside of the U.S. or Canada, register your Vehicle Identification Number and new address with Ford Motor Company Export Operations.

Accessories

Ford Accessories for Your Vehicle

A wide selection of accessories is available through your local authorized dealer. These fine accessories have been engineered specifically to fulfill your automotive needs. They are custom designed to complement the style and aerodynamic appearance of your Ford-built vehicle. In addition, each accessory is made from high quality materials and meets or exceeds Ford's rigid engineering and safety specifications. That is why Ford brand accessories are warranted for up to 12 months or 12,000 miles (20,000 km), whichever comes first. See your dealer for complete warranty information and accessory availability.

Ford has many fine products available from your dealer to clean your vehicle and protect its finishes. For best results, use the following, or products of equivalent quality:

Ford Custom Clear Coat Polish
Ford Custom Silicone Gloss Polish
Ford Custom Vinyl Protectant
Ford Deluxe Leather and Vinyl Cleaner
Ford Extra Strength Spot and Stain Remover
Ford Extra Strength Tar and Road Oil Remover
Ford Extra Strength Upholstery Cleaner
Ford Extra Strength Whitewall Tire Cleaner
Ford Multi-Purpose Cleaner
Ford Premium Car Wash Concentrate
Ford Triple Clean
Ford Ultra-Clear Spray Glass Cleaner

Safety

Vehicle security system
Styled wheel protector locks

Comfort and convenience

Engine block heater
Cargo net

Protection and appearance

Chemicals and paints
Cleaners, waxes and polishes
Floor mats
Super Seal anti-corrosion treatment (in U.S. only)
Super Seal fabric protector (in U.S. only)
Super Seal undercoating (in U.S. only)
Touch-up paints
Vinyl protectant
Wheel splash guards (flat)

NOTE: When adding accessories, equipment, passengers, and luggage to your vehicle, do not exceed the total weight capacity of the vehicle or of the front or rear axle (GVWR, GAWR as shown on the Safety Compliance Certification Label). Consult your dealer for specific weight information.

NOTE: The Federal Communications Commission (FCC) or the Canadian Radio Telecommunications Commission (CRTC) regulates the use of mobile communications systems — such as two-way radios, telephones, and theft alarms — that are equipped with radio transmitters. Any such equipment installed in your vehicle should comply with FCC or CRTC regulations and should be installed only by a qualified technician.

NOTE: Mobile communications systems may harm the operation of your vehicle, particularly if they are not properly designed for automotive use or are not properly installed. For example, when operated, such systems may cause the engine to stumble or stall. In addition, such systems may themselves be damaged or their operation affected by operating your vehicle. (Citizens band [CB] transceivers, garage door openers, and other transmitters whose power output is 5 watts or less will not ordinarily affect your vehicle's operation.)

NOTE: Because we have no control over the installation, design, or manufacture of such systems, Ford cannot assume responsibility for any adverse effects or damage that may result if you use this equipment.

Index

A

| | | | |
|---|-----|---|-----|
| ABS warning light (see Anti-lock brake system) | 11 | Air conditioning, electronic automatic temperature control system. | 69 |
| Accessory position on the ignition | 83 | Air suspension | |
| Accident damage | 216 | air ride switch off, message center | 37 |
| Air bag supplemental restraint system | 145 | description | 175 |
| and child safety seats | 151 | Alarm, activating remote personal | 123 |
| description | 145 | Aluminum wheels | 242 |
| driver air bag | 145 | Antenna, radio (see Electronic sound system) | 66 |
| indicator light | 45 | Antifreeze (see Engine coolant) | 228 |
| operation | 147 | Anti-lock brake system (ABS) | |
| passenger air bag. | 145 | description | 171 |
| tone generator | 149 | see also Brake | 171 |
| Air cleaner filter | | warning light | 11 |
| location. | 220 | Anti-theft lug nuts and key. | 208 |
| specifications | 263 | | |

| | |
|--|-----|
| Anti-theft system | |
| arming the system | 127 |
| description | 127 |
| disarming an untriggered system | 128 |
| disarming a triggered system. | 128 |
| triggering | 128 |
| Appeals (see Dispute settlement board) | 272 |
| Assistance (see Customer assistance) | 271 |
| Audio system (see Electronic sound system) | 49 |
| Autolamp system (see Headlamps) | 78 |
| Automatic transmission | |
| driving an automatic overdrive | 177 |
| fluid, adding. | 235 |
| fluid, checking. | 235 |
| fluid, refill capacities | 264 |
| fluid, specification | 265 |
| Axle | |
| lubricant specifications | 265 |
| refill capacities. | 264 |

B

| | |
|---|-----|
| Basic vehicle warranty. | 3 |
| Battery | 236 |
| acid, treating emergencies | 237 |
| battery saver. | 126 |
| charging system warning light | 13 |
| disconnecting | 212 |
| how to service. | 236 |
| jumping a disabled battery. | 209 |
| maintenance-free | 236 |
| proper disposal, recycling | 237 |
| replacement, specifications. | 263 |
| servicing | 236 |
| when storing your vehicle | 268 |
| Brake fluid. | 225 |
| brake warning light. | 10 |
| checking and adding | 225 |
| description | 225 |
| specifications | 265 |

| | | | |
|--|----------|---|-----|
| Brakes | | Break-in period | 5 |
| adjustment | 171 | Brights (high beams) | 14 |
| anti-lock | 171 | Bulbs, replacing | 253 |
| anti-lock brake system (ABS) | | halogen | 254 |
| warning light | 11 | headlamps. | 254 |
| applying the brakes. | 171 | | |
| brake warning light. | 10 | C | |
| fluid, checking and adding. | 225 | Canada, customer assistance | 276 |
| fluid, refill capacities | 225, 264 | Canada, warranty information | 3 |
| fluid, specifications | 265 | Canadian Motor Vehicle Arbitration Plan | |
| front disc | 171 | (CAMVAP). | 277 |
| if brakes do not grip well | 171 | Capacities for refilling fluids | 264 |
| master cylinder | 225 | Carbon monoxide in exhaust. | 169 |
| new brake linings | 5 | Car seats for children | |
| noise | 171 | (see Child safety seats) | 151 |
| parking brake and auto-release | 172 | Catalytic converter | 250 |
| servicing | 225 | | |
| trailer | 187 | | |
| when storing your vehicle. | 268 | | |

| | | | |
|--|----------|--|--------|
| Chains, tires | 242 | Cleaning your vehicle | 260 |
| Changing a tire | 201 | chrome and aluminum parts | 260 |
| Charging system warning light | 13 | exterior | 260 |
| Child safety restraints | 150 | exterior lamps | 261 |
| child safety belts | 163 | fabric | 262 |
| child safety seats | 151 | headlamps | 261 |
| Child safety seats | 151 | instrument panel | 7, 261 |
| and air bags | 151 | interior | 262 |
| attaching with tether straps | 162 | interior lamps | 262 |
| automatic locking mode (retractor) | 143, 151 | mirrors | 100 |
| in front seat | 151 | plastic parts | 261 |
| in rear outboard seat | 151 | polishing | 260 |
| in rear seat | 151 | rustproofing | 261 |
| tether anchorage hardware | 162, 163 | safety belts | 261 |
| Chime | | tail lamps | 261 |
| headlamps on | 15 | upholstery and interior trim | 262 |
| key in ignition | 84 | washing | 260 |
| safety belt | 44 | waxing | 260 |
| | | wheels | 262 |

| | | | |
|--|-----|---|-----|
| Climate control system | | specifications | 265 |
| air conditioning | 69 | temperature gauge | 17 |
| electronic automatic temperature control | 69 | warnings | 228 |
| heating | 69 | Cooling fan | 217 |
| Clock | 82 | Crankcase emission filter | 263 |
| Clutch | | Cruise control indicator light | 13 |
| fluid reservoir | 225 | Customer Assistance Centre, Ford of Canada | 276 |
| specifications | 265 | | |
| Combination lap and shoulder belts | 138 | D | |
| Console, description | 115 | Daytime running light system | 78 |
| Controls, mirrors | 99 | Defects, reporting. | 269 |
| Convenience kit in cargo area | 202 | Dipstick | 223 |
| Coolant (see Engine coolant) | 228 | automatic transmission fluid | 234 |
| checking and adding | 228 | engine oil | 223 |
| preparing for storage | 267 | power steering fluid | 233 |
| refill capacities. | 264 | Disabled vehicle (see Towing) | 213 |
| | | Dispute Settlement Board | 272 |
| | | Doors | 106 |
| | | lubricant specifications | 265 |

| | | | |
|---|-----|---|----------|
| proper solution | 235 | engine oil pressure warning light | 11 |
| recovery reservoir | 228 | filter, specifications | 263 |
| refill capacities. | 264 | refill capacities. | 264 |
| specifications | 265 | specifications | 222, 265 |
| temperature gauge | 17 | synthetic oil | 222 |
| Engine coolant temperature gauge. | 17 | viscosity | 222 |
| Engine fan. | 217 | Exhaust fumes | 169 |
| Engine knocking | 246 | Extended Service Plan, Ford | 4 |
| Engine oil | 222 | | |
| “break-in” oils | 5 | F | |
| changing oil and oil filter | 224 | Fan. | 217 |
| checking and adding | 223 | engine fan, avoiding injury | 217 |
| check oil warning light | 11 | Flashers, hazard | 89 |
| dipstick | 223 | Flashing the lights | 86 |
| disposal. | 216 | Flat tire | 201 |
| | | Fluid refill capacities | 264 |
| | | Ford Dispute Settlement Board | 272 |
| | | Ford Extended Service Plan | 4 |
| | | Ford Motor Company of Canada | 276 |

| | | | |
|---|---------|---|-----|
| Ford of Canada Customer Assistance Centre | 276 | safety information relating to automotive fuels | 247 |
| Foreign registration | 278 | storing your vehicle | 267 |
| French owner guides, how to obtain | 3 | treating emergencies | 247 |
| Fuel | 243 | Fuel cap. | 243 |
| calculating fuel economy | 25, 248 | removing | 243 |
| capacity. | 264 | replacing | 243 |
| choosing the right fuel | 245 | Fuel filler door | 243 |
| comparisons with EPA fuel economy estimates | 249 | remote release | 243 |
| filling your vehicle with fuel. | 243 | Fuel filter, specifications | 263 |
| filter, specifications. | 263 | Fuel gauge. | 19 |
| fuel filler door release lever | 243 | Fuel pump shut-off switch engine does not start | 189 |
| fuel gauge. | 19 | starting after a collision | 189 |
| octane rating | 246 | Fuse panels | 191 |
| quality | 246 | engine compartment | 195 |
| running out of fuel. | 248 | instrument panel. | 199 |
| | | Fuses | |
| | | charts | 191 |
| | | checking and replacing | 199 |

| G | | | |
|--|---------|--|-----|
| Gas cap (see Fuel cap) | 243 | Gearshift | |
| Gas mileage (see Fuel economy) | 25, 248 | automatic operation. | 177 |
| Gasoline (see Fuel) | 243 | locking the gearshift | 83 |
| Gauges | | positions | 177 |
| engine coolant temperature gauge | 17 | shifting the gears. | 177 |
| fuel gauge. | 19 | GVWR (Gross Vehicle Weight Rating) | 182 |
| odometer | 16 | calculating. | 183 |
| speedometer. | 16 | definition | 182 |
| tachometer | 17 | driving with a heavy load | 182 |
| GAWR (Gross Axle Weight Rating) | | location. | 182 |
| calculating | 183 | | |
| definition | 182 | H | |
| driving with a heavy load | 182 | Hazard flashers. | 89 |
| location. | 182 | Headlamps | |
| | | aiming | 256 |
| | | autolamp system | 80 |
| | | checking alignment | 253 |
| | | cleaning. | 261 |
| | | daytime running lights | 78 |

| | | | |
|--------------------------------------|-----|--|----------|
| Headlamps (continued) | | | |
| flashing | 86 | | |
| high beam | 86 | | |
| replacing bulbs | 253 | | |
| turning on and off | 79 | | |
| warning chime. | 15 | | |
| Head restraints. | 131 | | |
| Heated seats | 135 | | |
| Heating | | | |
| electronic automatic temperature | | | |
| control system | 69 | | |
| High beams | | | |
| indicator light | 14 | | |
| operation | 86 | | |
| Hitch | 186 | | |
| Hood | 219 | | |
| latch location | 219 | | |
| lubrication specifications | 265 | | |
| release lever. | 219 | | |
| working under the hood | 217 | | |
| Horn | 90 | | |
| | | | |
| | | I | |
| | | Idle, relearning. | 212, 217 |
| | | Ignition | |
| | | chime | 84 |
| | | positions of the ignition. | 83 |
| | | removing the key | 84 |
| | | Indicator lights and chimes (see Lights) | 7 |
| | | Infant seats (see Safety seats). | 150, 151 |
| | | Instrument panel | 7 |
| | | Interval wipers | 86 |
| | | | |
| | | J | |
| | | Jack. | 202 |
| | | operation | 203 |
| | | positioning | 205 |
| | | storage | 202 |
| | | Jump-starting your vehicle | |
| | | attaching cables | 211 |
| | | disconnecting cables | 212 |

| K | |
|---|-----|
| Keyless entry system | |
| locking and unlocking doors | 119 |
| programming entry code | 120 |
| Keys | |
| key in ignition chime | 84 |
| positions of the ignition | 83 |
| removing from the ignition | 84 |
| stuck in lock position | 83 |
| L | |
| Lamps | |
| autolamp delay system | 80 |
| checking | 253 |
| daytime running light system | 78 |
| dome lamps | 96 |
| flashing the lamps | 86 |
| hazard flashers | 89 |
| headlamps | 79 |
| high beams | 86 |
| interior lamps | 78 |
| map lamps | 96 |
| replacing bulbs | 253 |
| trailer | 187 |
| Lane change indicator (see Turn signal) | 85 |
| Lap belts | 143 |
| Lights, warning and indicator | |
| air bag | 45 |
| anti-lock brakes (ABS) | 11 |
| brake | 10 |
| charging system | 13 |
| check engine | 45 |
| engine oil pressure | 11 |
| hazard warning light | 89 |
| high beam | 14 |
| overdrive off | 46 |
| safety belt | 44 |
| turn signal indicator | 14 |

| | | | |
|---------------------------------------|-----|--|---------|
| Load limits | 182 | Master cylinder, brakes | 225 |
| GAWR | 182 | Memory profile system | 110 |
| GVWR | 182 | Message center. | 19 |
| trailer towing | 184 | Mileage, calculating fuel economy. | 25, 248 |
| Lubricant specifications | 265 | Mirrors | |
| Luggage compartment | 117 | automatic dimming rearview mirror. | 99 |
| Lug nuts | 203 | side view mirrors | 112 |
| anti-theft | 208 | Moon roof. | 97 |
| standard | 205 | Motorcraft parts | 263 |
| tightening sequence | 203 | | |
| | | N | |
| M | | National Highway Traffic | |
| Maintenance schedule and record | | Safety Administration | 269 |
| (see separate Maintenance Schedule | | New vehicle break-in | 5 |
| and Record booklet). | 3 | | |
| Maintenance (see Servicing) | 215 | | |

| O | |
|---|----------|
| Octane rating | 246 |
| Odometer | 16 |
| Oil filter | 224, 263 |
| Oil (see Engine oil) | 222 |
| Oil viscosity | 222 |
| On-board diagnostic (OBD II) system | 253 |
| Overdrive | 181 |
| Overseas offices | 278 |
| P | |
| Panic alarm feature, remote entry system | 123 |
| Parking brake, warning light | 10 |
| Parking brake and auto-release | 10 |
| Parts (see Motorcraft Parts) | 263 |
| PCV valve, specifications | 263 |
| Phone, cellular | 114 |
| Power features | |
| antenna | 65 |
| doors | 106 |
| mirrors | 99 |
| moon roof | 97 |
| seats | 134 |
| windows | 108 |
| Power steering | |
| dipstick | 233 |
| driving with power steering | 177 |
| fluid, checking and adding | 233 |
| fluid, refill capacity | 264 |
| fluid, specifications | 265 |
| servicing | 177 |
| Prop rod, hood | 219 |
| R | |
| Radio (see Electronic sound systems) | 49 |
| Rear axle | |
| lubricant specification | 265 |
| refill capacity | 264 |
| Rear window defroster | 77 |
| Rearview mirror | 99 |
| Redundant electronic gearshift indicator | 15 |
| Refill capacities for fluids | 264 |
| Regulations, National Highway Traffic Safety Administration | 269 |

| | |
|--|-----|
| Remote entry system | |
| arming and disarming the | |
| anti-theft system | 123 |
| locking/unlocking doors. | 123 |
| opening the trunk | 123 |
| panic alarm | 123 |
| replacement/additional transmitters. | 125 |
| replacing the batteries | 125 |
| Reporting safety defects | 269 |
| Restraints, safety (see Safety restraints) | |
| adult | 138 |
| child | 150 |
| head | 131 |
| infant | 150 |
| Reverse | 180 |
| Roadside emergencies | 189 |
| Rotating the tires. | 239 |

S

| | |
|---|-----|
| Safety belts (see Safety restraints) | 138 |
| Safety chains, when towing a trailer. | 186 |
| Safety Compliance Certification Label | 182 |
| Safety defects, reporting | 269 |
| Safety information relating to | |
| automotive fuels | 247 |
| Safety restraints | |
| adjusting the safety belts | 140 |
| automatic locking mode | 143 |
| center rear lap belt | 143 |
| cleaning the safety belts. | 261 |
| extension assembly. | 144 |
| for adults | 138 |
| for children | 150 |

| | | | |
|--|----------|--|-----|
| for infants | 150, 151 | Seats | 131 |
| head | 131 | adjusting the seats, power | 134 |
| lap and shoulder belts | 138 | auto-glide | 136 |
| lap belt | 143 | child safety seats | 151 |
| maintenance. | 145 | cleaning upholstery | 262 |
| proper use | 138 | head restraints | 131 |
| replacement | 145 | heated | 135 |
| warning light and chime | 44 | rear seat access | 133 |
| Safety seats for children | 151 | reclining the seat. | 132 |
| and air bags | 151 | Service concerns | 271 |
| attaching with tether straps | 162 | Servicing your vehicle | 215 |
| automatic locking mode (retractor) | 154 | precautions when servicing | 217 |
| in front seat. | 151 | servicing when you tow. | 213 |
| in rear outboard | 151 | Shift positions (see Gearshift). | 177 |
| tether anchorage hardware | 162 | Shoulder and lap belts | |
| Seat belts (see Safety restraints) | 138 | (see Safety restraints) | 138 |
| | | Side mirrors | |
| | | adjusting | 112 |

| | | | |
|---|-----|--|-----|
| Tires | 238 | Trailer towing | 184 |
| changing | 201 | calculating maximum trailer weight | 184 |
| checking the pressure. | 238 | safety chains. | 186 |
| cleaning | 262 | tips | 187 |
| inspection and maintenance | 238 | trailer brakes | 187 |
| replacing | 240 | trailer lamps. | 187 |
| rotating. | 239 | Transmission | |
| snow tires and chains | 242 | automatic operation. | 177 |
| spare tire | 202 | fluid, checking and adding. | 235 |
| storing your vehicle | 268 | fluid, refill capacities | 264 |
| tire grades | 241 | lubricant specifications | 265 |
| treadwear. | 241 | Transmission control switch | 180 |
| wear bands | 240 | Trunk, using the remote entry system | |
| Towing a trailer (see Trailer towing) | 184 | to open | 123 |
| Towing your vehicle | 213 | Trunk, power release | 118 |
| using wheel dollies. | 213 | Tune-up specifications (VECI). | 252 |
| with a tow truck. | 213 | Turn signal | 85 |
| Traction Control active light | 12 | indicator lights. | 14 |
| | | lever | 85 |

| V | | W | |
|--|-----|--|-----|
| Variable interval wipers | 86 | Warning chimes | |
| VECI (Vehicle Emission Control Information) | | headlamps on | 15 |
| decals | 252 | key in ignition | 84 |
| Vehicle loading | | safety belt | 44 |
| automatic transmissions | 183 | Warning lights (see Lights) | 7 |
| calculating the load | 183 | Warranties | 3 |
| manual transmissions | 183 | basic | 3 |
| understanding loading information | 182 | Canada | 3 |
| Vehicle storage | 266 | radio | 68 |
| Ventilating your vehicle (see Climate control) | 69 | Warranty Information Booklet | 3 |
| Viscosity (see Engine oil) | 222 | Washer fluid | 227 |
| Visor (see Sun visor) | 101 | windshield | 86 |
| | | Weight limits (GAWR, GVWR) | 182 |
| | | Wheel bearings, lubricant specifications | 265 |
| | | Wheel dollies (see Towing) | 213 |

| | | | |
|---|----------|--|-----|
| Wheels | | Windshield washer fluid and wipers | 86 |
| anti-theft lugnuts | 208 | checking and adding fluid | 227 |
| cleaning | 262 | checking and replacing wiper blades . . | 237 |
| covers | 203, 205 | operation | 86 |
| inspection and maintenance | 238 | reservoir | 227 |
| lug nuts | 203 | specifications | 265 |
| Windows, power windows, operating . . . | 108 | variable interval wipers | 86 |
| Windshield, washing | 86 | Windshield wipers and washer | 86 |
| | | Wrecker towing | 213 |

Service Station Information

| | |
|--------------------------------|--|
| Engine | 4.6 Liter 4V (4 valves per cylinder) SFI (Sequential Fuel Injection) 8 Cylinder. |
| Fuel | PREMIUM UNLEADED FUEL RECOMMENDED Octane 91 or higher . |
| Fuel Tank Capacity | 18.0 gallons (68.1 Liters). |
| Tire Size | Refer to the Tire Pressure Decal. |
| Tire Pressure | 30 PSI (measured cold) Tire pressure decal on the front face of the passenger's door jamb. |
| Hood Release | Pull handle under left side of dash. |
| Engine Oil | Use only engine oil displaying the American Petroleum Certification Mark — SAE 5W-30. |
| Engine Oil Capacity | 6 quarts (5.7 Liters) with filter change. |
| Automatic Transmission | Motorcraft MERCON® (ATF) . |
| Power Steering Fluid | Motorcraft MERCON® ATF. |
| Engine Coolant Capacity | 16 quarts (15.2 Liters) . |

Free Manuals Download Website

<http://myh66.com>

<http://usermanuals.us>

<http://www.somanuals.com>

<http://www.4manuals.cc>

<http://www.manual-lib.com>

<http://www.404manual.com>

<http://www.luxmanual.com>

<http://aubethermostatmanual.com>

Golf course search by state

<http://golfingnear.com>

Email search by domain

<http://emailbydomain.com>

Auto manuals search

<http://auto.somanuals.com>

TV manuals search

<http://tv.somanuals.com>