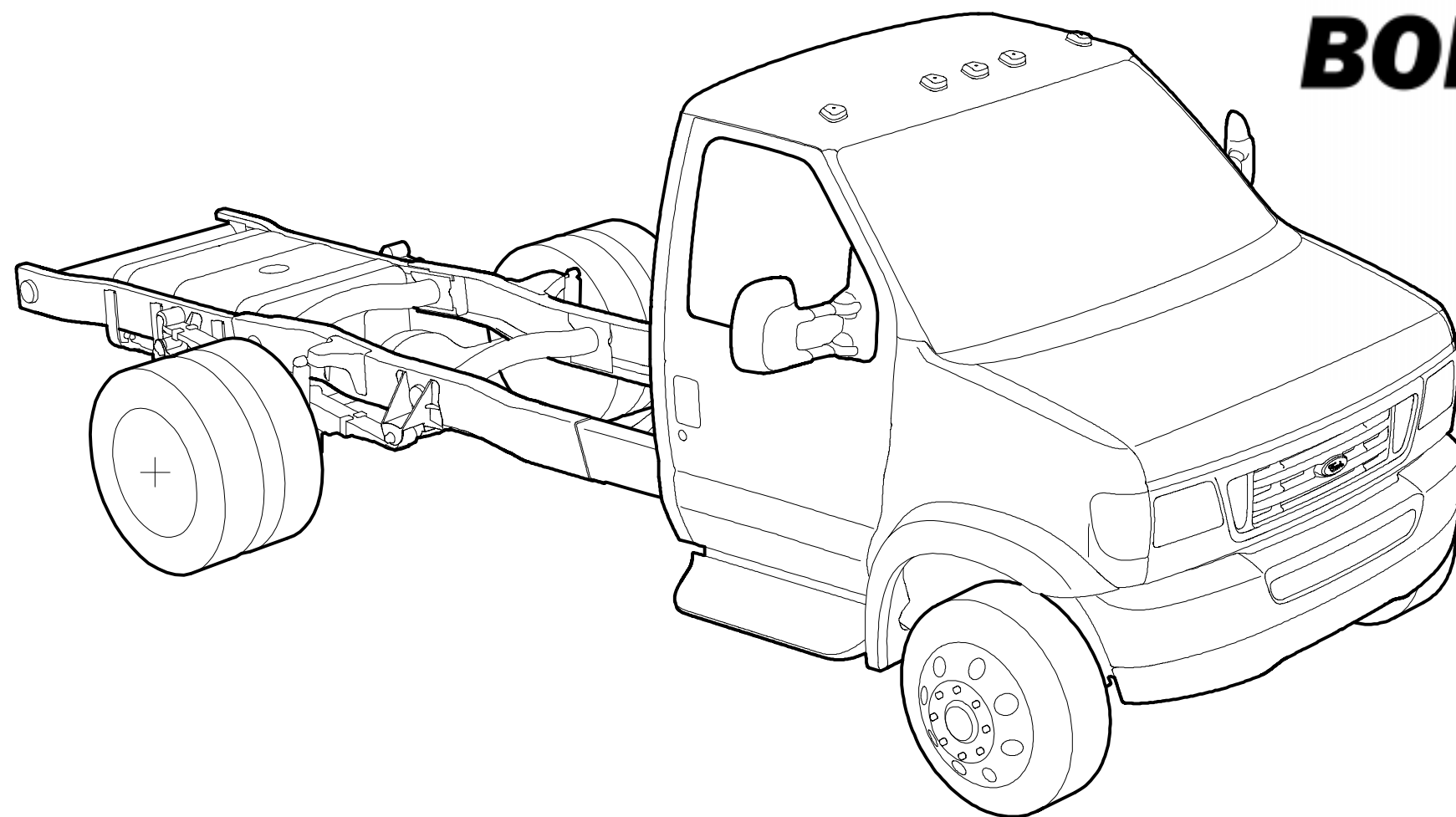




**2002**

**E-550 SUPER DUTY  
CUTAWAY**



**BODY BUILDERS  
LAYOUT  
BOOK**

MARCH 2002

### **IMPORTANT NOTICE**

The specifications and designs described herein are believed to be correct as of the time that this book was approved for printing, but accuracy cannot be guaranteed. They are intended only to provide basic data regarding such matters as dimensions and weight ratings of Ford-built chassis. The information contained in this book is general and nothing contained herein is to be regarded as providing specific or comprehensive instructions for the completion of a particular vehicle or as authorization by Ford of the specific modifications, alteration or designs of individual vehicles.

Representations regarding the compliance of any Ford-manufactured incomplete vehicle to any rule, regulation or standard issued pursuant to the National Traffic and Motor Vehicle Safety Act or the Canadian Motor Vehicle Safety Act are set forth only in the incomplete vehicle manual which accompanies each incomplete vehicle. Ford reserves the right to discontinue models or change specifications or designs at any time without notice and without incurring any obligation.

Regulations such as those issued by the Federal Highway Administration (FHWA) or issued pursuant to the Occupational Safety and Health Act (OSHA), and/or state, provincial, and local laws and regulations may require installation of additional equipment for the particular use intended for the vehicle. It is the responsibility of the subsequent stage manufacturer or completed vehicle alterer and the vehicle purchaser to ascertain how the vehicle will ultimately be used, if FHA, OSHA or state provincial or local regulations apply and how the vehicle as completed will comply with those requirements.

Nothing contained herein is to be construed as a representation that such equipment required for the particular use intended has been installed on the incomplete vehicle.

### **REFERENCE INFORMATION**

#### **FORD TRUCK BODY BUILDER ADVISORY SERVICE**

The Ford Truck Body Builder Advisory Service assistance may be consulted regarding information contained in this manual. For assistance:

- Call (877) 840-4338
- Fax (313) 594-2633
- E-Mail [bbasqa@ford.com](mailto:bbasqa@ford.com)  
or at the BBAS website -  
[www.fleet.ford.com/truckbbas](http://www.fleet.ford.com/truckbbas)

Include your name, company and telephone number with all inquiries. If requesting written materials, include your mailing address.

# INDEX/FEATURES

Index .....	1
Metric/U.S. Unit Equivalents .....	2
Model Lineup .....	3
Seat Reference SgRP X & Z Locations .....	4
Safety Section	
Seat Restraint System .....	5-7
Air Bag Supplemental Restraint System .....	8-9
E-550 Super Duty Cutaway	
159.5" - 233.5" Wheelbase (DRW) .....	10
Vehicle Height/Tire/Ground Clearance Data .....	11
All Wheelbases .....	12
Dimensional Frame Data	
159.5" WB Frame & Body Pucks .....	13
177.5" - 191.5" WB Frame Data .....	14
209.5" - 233.5" WB Frame Data .....	15
55 Gallon Aft of Axle Fuel Tank .....	16
Fuel Filler Systems .....	17
Dimensional Body Data .....	18
Body Section A .....	19
Electrical Wiring .....	20

## FEATURES

### CHASSIS

- 5 wheelbase lengths 159.5", 177.5", 191.5", 209.5" and 233.5"
- New suspensions with GVWR availability: 17,500 pounds and 19,000 pounds (front and rear suspension)
- ABS brakes
- New steering (40° wheel cut)

### EXTERIOR

- Cutaway cab
- Front fender flares
- Running boards
- Freshened grille & hood
- Roof marker lights (optional)
- New front bumper

### POWERTRAINS

	Standard	Optional
• Engine	6.8L Gas	7.3L Diesel
• Transmission	4R100	4R100
• Horsepower	305@4250	215@2600
• Torque (ft-lbs)	420@3250	425@1800
• Rear axle ratio	4.88	4.88 LS/5.38, 5.38 LS

NOTE: For Design Recommendations and Second Unit Body Information refer to the 2002 Body Builders Layout Book.

click here

TO RETURN TO INDEX

# METRIC/U.S. CUSTOMARY UNIT EQUIVALENTS

Multiply:	by:	to get:
<b>LINEAR</b>		
inches	X 25.4	= millimetres(mm)
inches	X 2.54	= centimetres (cm)
feet	X 0.3048	= metres (m)
<b>AREA</b>		
inches <sup>2</sup>	X 645.16	= millimetres <sup>2</sup> (mm <sup>2</sup> )
inches <sup>2</sup>	X 6.452	= centimetres <sup>2</sup> (cm <sup>2</sup> )
feet <sup>2</sup>	X 0.0929	= metres <sup>2</sup> (m <sup>2</sup> )
<b>VOLUME</b>		
inches <sup>3</sup>	X 16387.0	= millimetres <sup>3</sup> (mm <sup>3</sup> )
inches <sup>3</sup>	X 16.387	= centimetres <sup>3</sup> (cm <sup>3</sup> )
inches <sup>3</sup>	X 0.01639	= litres (l)
quarts	X 0.94635	= litres (l)
gallons	X 3.7854	= litres (l)
feet <sup>3</sup>	X 28.317	= litres (l)
feet <sup>3</sup>	X 0.02832	= metres <sup>3</sup> (m <sup>3</sup> )
fluid oz.	X 29.57	= millilitres (ml)
<b>MASS</b>		
ounces (av)	X 28.35	= grams (g)
lb (av)	X 0.4536	= kilograms (kg)
tons (2000 lb)	X 907.18	= kilograms (kg)
tons (2000 lb)	X 0.9078	= tonne (t)
“ ”		

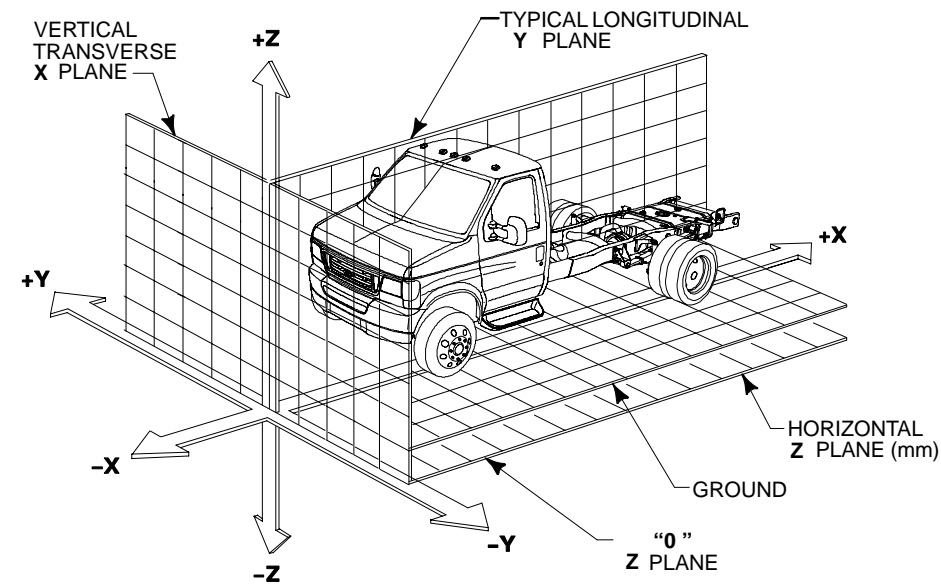
Multiply:	by:	to get:
X 0.03937	=	inches
X 0.3937	=	inches
X 3.281	=	feet
X 0.00155	=	inches <sup>2</sup>
X 0.155	=	inches <sup>2</sup>
X 10.764	=	feet <sup>2</sup>
X 0.000061	=	inches <sup>3</sup>
X 0.06102	=	inches <sup>3</sup>
X 61.024	=	inches <sup>3</sup>
X 1.0567	=	quarts
X 0.2642	=	gallons
X 0.03531	=	feet <sup>3</sup>
X 35.315	=	feet <sup>3</sup>
X 0.03382	=	fluid oz.
X 0.03527	=	ounces (av)
X 2.2046	=	lb (av)
X 0.001102	=	tons (2000 lb)
X 1.1025	=	tons (2000 lb)

Multiply:	by:	to get:
<b>FUEL ECONOMY</b>		
miles/gal	X 0.4251	= kilometres/litre (km/l)
gal/mile	X 2.3524	= litres/kilometre (l/km)
gal/mile	X 235.24	= litres/100 kilometre (l/km)
X 2.352	=	miles/gal
X 0.42517	=	gal/mile
X 0.004252	=	gal/mile
<b>POWER</b>		
horsepower	X 0.746	= kilowatts (kW)
ft-lb/min	X 0.0226	= watts(W)
X 1.34	=	horsepower
X 44.27	=	ft-lb/min
<b>TORQUE</b>		
lb-in	X 0.11298	= newton-metres (N-m)
lb-feet	X 1.3558	= newton-metres (N-m)
X 8.851	=	lb-in
X 0.7376	=	lb-feet
<b>VELOCITY</b>		
miles/hr	X 1.6093	= kilometres/hr (km/hr)
kilometres/hr	X 0.27778	= metres/sec (m/s)
miles/hr	X 0.4470	= metres/sec (m/s)
X 0.6214	=	miles/hr
X 3.600	=	kilometres/hr
X 2.237	=	miles/hr

### COMMON METRIC PREFIXES

mega (M) = 1,000,000  
 kilo (k) = 1,000  
 hecto (h) = 100

centi (c) = 0.01  
 milli (m) = 0.001  
 micro (μ) = 0.000001



BB0689

MM THREE-DIMENSIONAL REFERENCE SYSTEM

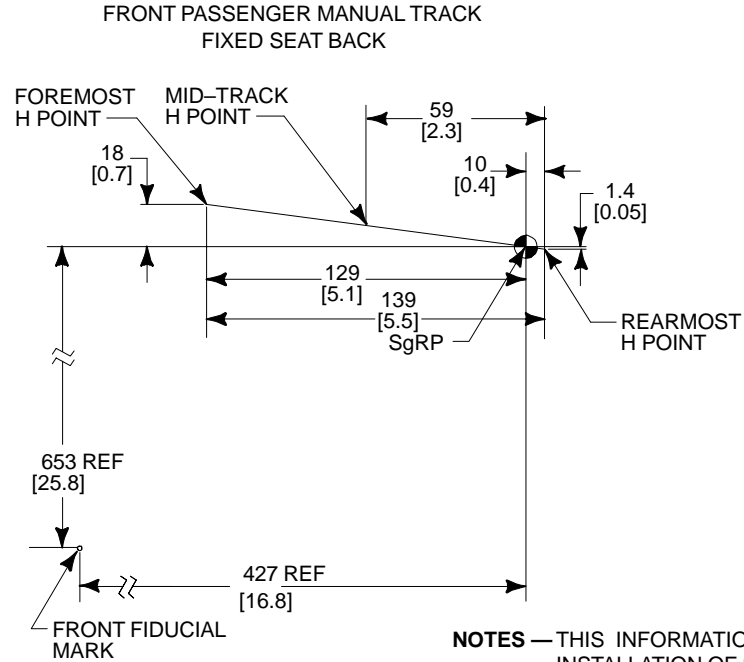
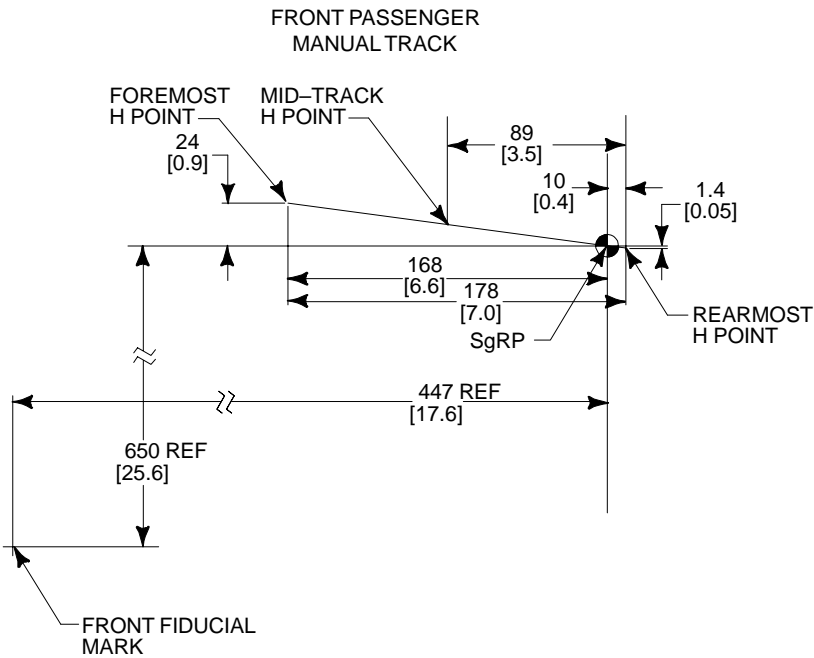
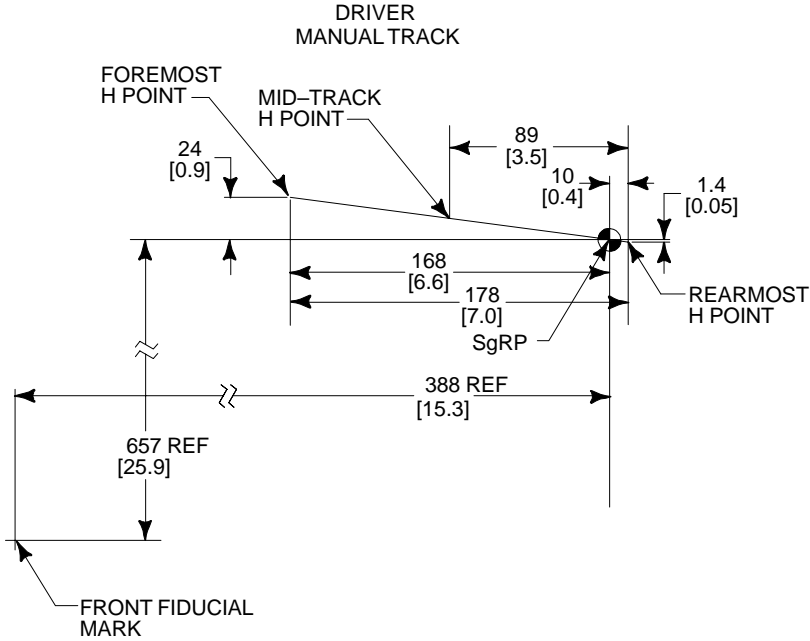
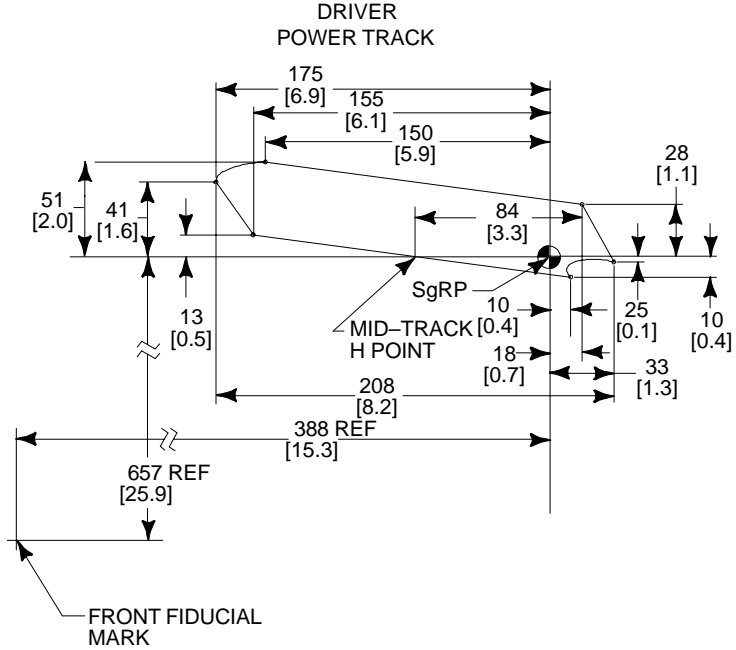
## E-550 SUPER DUTY CUTAWAY MODEL LINEUP

MODEL	SERIES CODE	WHEELBASE mm/inches	GVWR pounds	STANDARD TRANSMISSION	ENGINES liters	BASE CURB WEIGHT*		
						FRONT pounds	REAR pounds	TOTAL pounds
E-550 Super Duty Cutaway	E55	4051.3 [159.5]	17,500/19,000	4R100	6.8	3405	2785	6190
					7.3	3787	2857	6644
		4508.5 [177.5]	17,500/19,000	4R100	6.8	3475	2844	6319
					7.3	3857	2910	6767
		4864.1 [191.5]	17,500/19,000	4R100	6.8	3537	2894	6431
					7.3	3921	2958	6879
		5321.3 [209.5]	17,500/19,000	4R100	6.8	3617	2959	6576
					7.3	4003	3019	7022
		5930.9 [233.5]	17,500/19,000	4R100	6.8	3722	3046	6768
					7.3	4112	3102	7214

\* Weight calculated with fuel and fluids to full capacity.

NOTE — [ ] DIMENSIONS ARE INCHES.

# E-550 SUPER DUTY CUTAWAY SEAT TRACK TRAVEL/H-POINT LOCATION



**NOTES** — THIS INFORMATION IS PROVIDED TO ASSIST IN THE INSTALLATION OF SEATS OTHER THAN FORD INSTALLED SEATS AND TO HELP PRESERVE THE INTENDED PERFORMANCE OF THE SAFETY AND ERGONOMIC FEATURES OF THE 2002 E-SERIES. THE MID-TRACK H-POINT LOCATION MUST BE MAINTAINED IN ORDER TO COMPLY WITH FMVSS 208 AIRBAG REQUIREMENTS.

**NOTES** — [ ] DIMENSIONS ARE INCHES.

BB0056

## E-550 SUPER DUTY CUTAWAY OCCUPANT PROTECTION SYSTEMS SEAT RESTRAINT SYSTEM

### INFORMATION

The following recommendations are intended to assist in the design of seats and seat belt systems capable of meeting the requirements of the F/CMVSS 207, 208, 209 and 210 except for front seating positions for vehicles having a GVWR of 3855 kg [8500 lb] or less, and an Unloaded Vehicle Weight of 2495 kg [5500 lb] or less. These recommendations are based on testing and analyses performed by Ford Motor Company.

Ford cautions subsequent stage manufacturers to note the definition of "Designated Seating Positions" on page 26 of the "2001 Body Builder Book". If a position can reasonably be used by a 5th percentile adult female for seating and the overall seat configuration and vehicle design make it likely that the position will be used by an occupant while the vehicle is in motion, then the position must be considered to be a "Designated Seating Position" for determination of compliance to U.S. and Canadian motor vehicle safety standards.

Seat and seat belt systems may take many forms; this list of recommendations cannot cover all possibilities. Strict adherence to these suggestions will not ensure that systems will comply with F/CMVSS 207, 208, 209 and 210. Responsibility for determining compliance to appropriate F/CMVSS regulations is that of the final stage manufacturer. Accordingly, Ford Motor Company makes no representation as to the appropriateness of any particular recommendation in its specific application of a particular design or act of intermediate or final stage manufacture.

To confidently verify compliance with F/CMVSS 207, 208, 209 and 210, the testing of representative systems to applicable F/CMVSS 207, 208, 209 and 210 procedures is recommended. Questions regarding compliance with F/CMVSS regulations should be directed to your legal counsel, the National Highway Traffic Safety Administration, or Transport Canada.

### SEAT SYSTEMS

1. For Incomplete E-Series Vans and Cutaways with a GVWR over 3855 kg (8500 lb) purchased with the front seat delete option, Ford strongly recommends following the practices specified in the compliance representations for F/CMVSS 208 that apply to Incomplete E-Series Vans with a GVWR of 3855 kg (8500 lb) or less and completed units Unloaded Vehicle Weight of 2495 kg (5500 lb) or less that are purchased without front seats.
2. Any additional seats and seat anchorages installed by subsequent stage manufacturers must meet F/CMVSS 207 requirements and specifications.
3. Do not modify or alter Ford furnished seating or occupant restraint system. When utilizing the Ford seat delete package, care must be taken to insure proper function of the seat adjustment latching mechanism, electrical wiring and seat belt buckle pretensioner. Refer to Bulletin Q-48 for wire routing.
4. If the seat or seat belt components are temporarily removed for any reason, they must be reinstalled in accordance with the instructions and specifications found on the following pages for E-Series or the applicable *Ford Truck Shop Manual*.
5. Seating systems that include the attachment of lap belt or shoulder belt assemblies should also consider the requirements of F/CMVSS 210 as part of the seating system.
6. Seating system components should be free of sharp edges to prevent damage to seat belt systems when the belts could potentially contact the seating system components.
7. Seats should be mounted with appropriate fasteners in the mounting holes provided, since these holes are located to utilize floor pan structural reinforcements. (See figures on following pages.)
8. If additional holes are required for any reason, their locations should be carefully selected so that the structural integrity of the floor pan will not be compromised and to prevent damage to other components located below the floor.

9. Seating systems should be designed to be compatible with the seat belt systems, so as to permit proper adjustment, allow for occupant movement and provide convenient accessibility of the restraint system buckle release.
10. Seats not designated for occupancy while the vehicle is in motion must be conspicuously labeled as such.

### LAP AND SHOULDER BELT SYSTEMS

1. The front seats are equipped with a pyrotechnic buckle pretensioner. The buckle pretensioner reduces slack in the lap and shoulder safety belt by pulling the buckle downward. The buckle pretensioners and air bags operate on the same sensors and will function simultaneously.
2. Additional lap and shoulder belt assemblies, including retractors and hardware, must comply with the requirements of F/CMVSS 208 and 209.
3. Additional lap and shoulder belt system anchorages must comply with the requirements of F/CMVSS 210.
4. Lap and shoulder belt systems that are attached to seat frame or base may affect compliance of the seating system with the requirements of F/CMVSS 207.
5. Ford lap and shoulder belts, retractors and attaching hardware should not be altered or modified in any way. The reinstallation of these components should follow the instructions and specifications on the following pages, or those in the appropriate *Ford Truck Shop Manual*.
6. Lap and shoulder belt assemblies should be compatible with the seat systems and anchorages so that lap belts will be properly positioned about the occupant's pelvis to provide proper adjustment and fit. The buckle and buckle release are properly located with respect to the occupant and must comply with the requirements of F/CMVSS 208.
7. Seat belt warning system activation/deactivation, where applicable, should be provided by the lap and shoulder belt assembly.

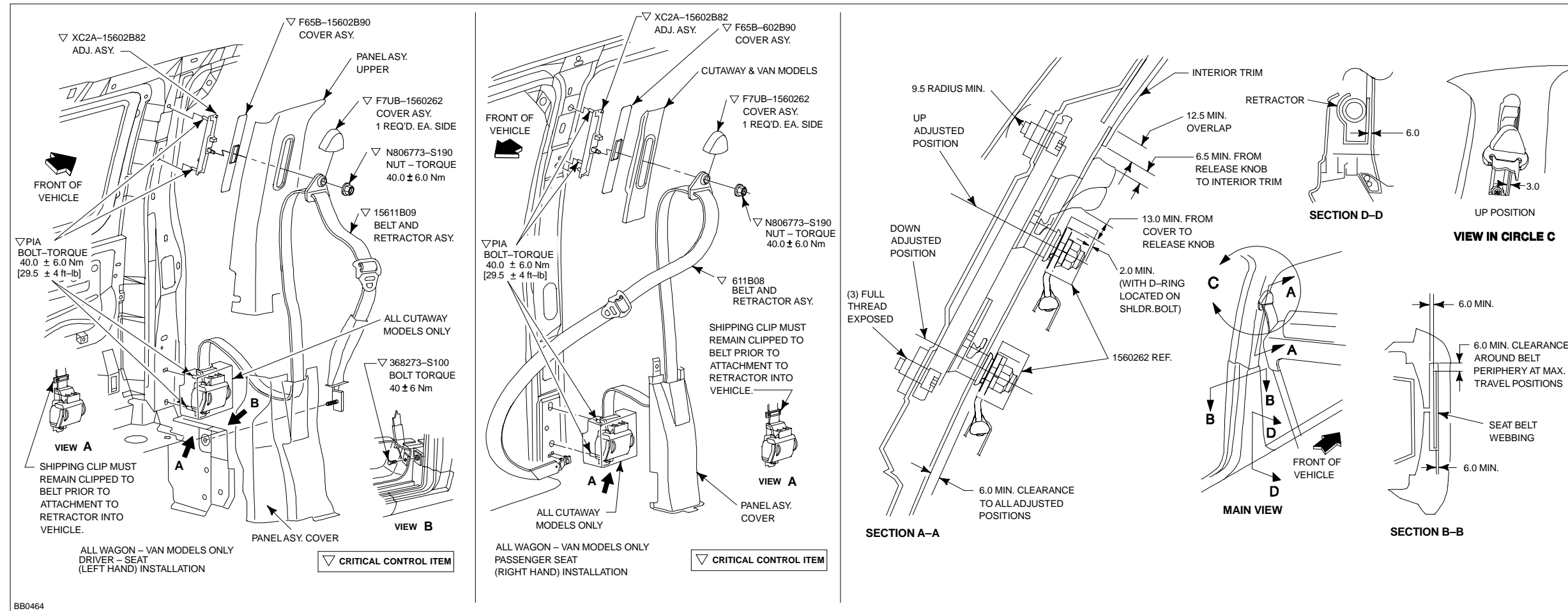
### WARNING:

**THE SEAT BELT BUCKLE PRETENSIONER, AIRBAGS AND ELECTRONIC SENSOR MODULE ARE BAR CODED WITH A UNIQUE SERIAL NUMBER WHICH IS MATCHED TO THE VEHICLE VIN. TO MAINTAIN THE OCCUPANT PROTECTION SYSTEM PERFORMANCE, THE COMPLETED VEHICLE MUST CONTAIN THE SAME SEAT BELT BUCKLE PRETENSIONER, AIR BAGS AND ELECTRONIC SENSOR MODULE THAT WERE INSTALLED BY FORD MOTOR COMPANY. FAILURE TO DO SO COULD RESULT IN SERIOUS INJURY IN THE EVENT OF A COLLISION.**

### OCCUPANT PROTECTION ZONE AND OVERHEAD CONSOLE

For vehicles completed with an Unloaded Vehicle Weight (UVW) greater than 2495 kg [5500 lb], Ford strongly recommends following the practices in the compliance representations for F/CMVSS 208 regarding overhead console specifications that apply to Incomplete E-Series Vans with a GVWR of 3856 kg [8500 lb] or less and completed units have an Unloaded Vehicle Weight of 2495 kg [5500 lb] or less. (Refer to the *Incomplete Vehicle Manual* for these compliance representations.)

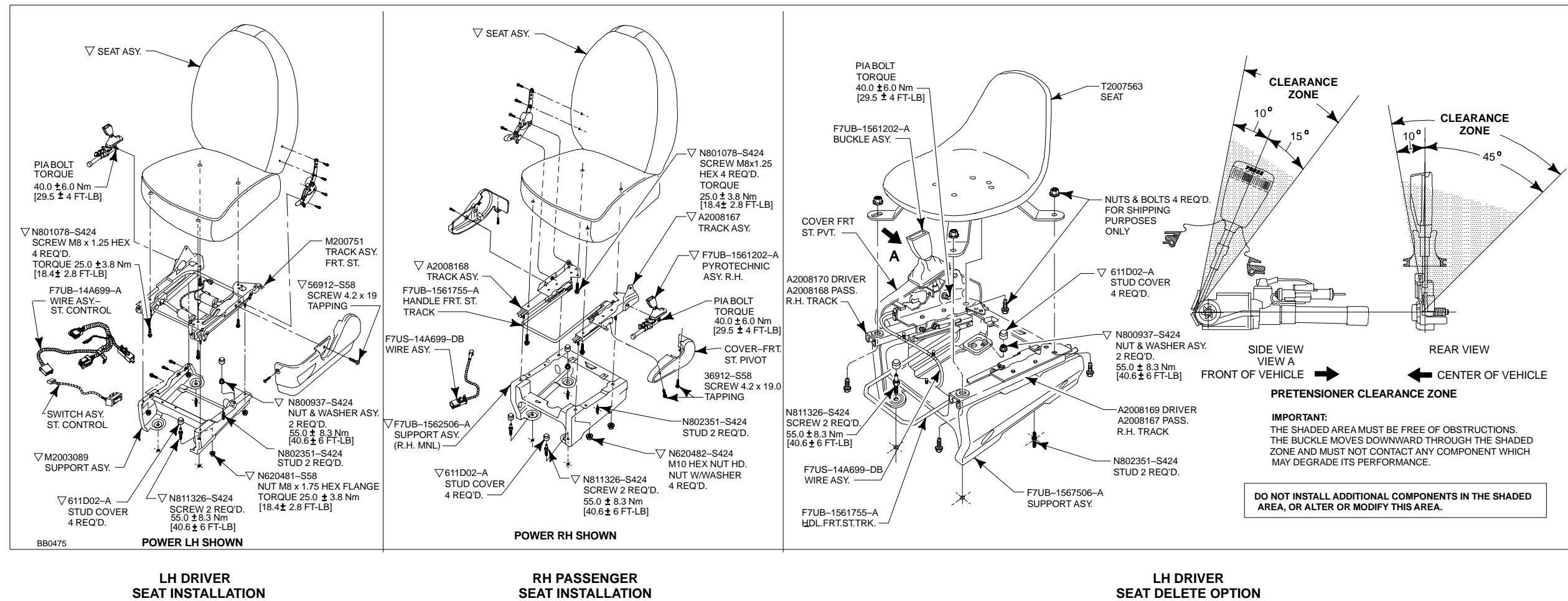
# E-550 SUPER DUTY CUTAWAY OCCUPANT PROTECTION SYSTEMS SEAT RESTRAINT SYSTEM



NOTE - [ ] DIMENSIONS ARE FT-LB OR INCHES.



# E-550 SUPER DUTY CUTAWAY OCCUPANT PROTECTION SYSTEMS SEAT RESTRAINT SYSTEM



NOTE - DIMENSIONS ARE FT-LB OR INCHES.

# E-550 SUPER DUTY CUTAWAY OCCUPANT PROTECTION SYSTEMS AIRBAG SUPPLEMENTAL RESTRAINT SYSTEM

## INFORMATION

Ford urges careful consideration of the recommendations that follow. They are based on analyses of component and vehicle tests, actual service situations, and engineering judgments. Disregard of these recommendations may affect the durability, reliability, handling and performance characteristics of a completed vehicle and may result in elevated underbody temperatures, increase the potential for fire, or may affect the safety of the occupants in the event of an accident.

These recommendations are supplemental to U.S. and Canadian Motor Vehicle Safety compliance representations provided in the *Incomplete Vehicle Manual* (IVM). Also, additional information is provided in the *Ford Truck Service Manual* which may be helpful to subsequent stage manufacturers.

The completed vehicle in the "Loaded" condition must not exceed the front GAWR, rear GAWR, or the GVWR. ("Loaded" means the completed vehicle weight with the maximum fluid capacity necessary for vehicle operation, plus 150 lb for each designated seating position, and an additional allowance for any cargo weight advertised by the manufacturer). The GAWRs and GVWR are on the label affixed to the cover of the *Incomplete Vehicle Manual*.

Subsequent Stage Manufacturers are encouraged to contact the Ford Truck Body Builder Advisory Service if they have any questions concerning these recommendations.

## AIRBAG SUPPLEMENTAL RESTRAINT SYSTEM

Some trucks produced by Ford Motor Company are equipped with an Airbag Supplemental Restraint System (SRS). Vehicles equipped with this system will have the words "AIRBAG" and an air bag symbol on the VIN plate located on the top driver-side corner of the instrument panel. System components are shown in their vehicle locations on the following pages.

Included on the vehicle identification number -VIN-plate (visible through the windshield) of the vehicle, manufactured by Ford with a driver's air bag, are the words "AIR" and "BAG" and a pictogram for the airbag separating the two (see illustration below).



BB0538

Detailed system and service information will be found in the *Ford Truck Service Manual* for the appropriate type and model year. Ford Motor Company urges the subsequent stage manufacturers to become familiar with this system prior to modifying vehicles that are so equipped.

### CAUTION:

DO NOT REMOVE THE STEERING COLUMN, STEERING WHEEL AND AIRBAG MODULE AS AN ASSEMBLY FROM THE VEHICLE UNLESS (1) THE COLUMN IS LOCKED TO PREVENT ROTATION, OR (2) THE LOWER END OF STEERING SHAFT IS SECURED (e.g., by wire) IN SUCH A WAY THAT THE STEERING WHEEL CANNOT BE ROTATED.

### WARNING:

THE SEAT BELT BUCKLE PRETENSIONER, AIRBAGS AND ELECTRONIC SENSOR MODULE ARE BAR CODED WITH A UNIQUE SERIAL NUMBER WHICH IS MATCHED TO THE VEHICLE VIN. TO MAINTAIN THE OCCUPANT PROTECTION SYSTEM PERFORMANCE, THE COMPLETED VEHICLE MUST CONTAIN THE SAME SEAT BELT BUCKLE PRETENSIONER, AIR BAGS AND ELECTRONIC SENSOR MODULE THAT WERE INSTALLED BY FORD MOTOR COMPANY. FAILURE TO DO SO COULD RESULT IN SERIOUS INJURY IN THE EVENT OF A COLLISION.

If electrical work is performed in the steering column area, the instrument panel or the air bag system, the system must be deactivated to avoid unwanted inflation of the air bag. To do this, follow the procedure described on this page.

### DEACTIVATION PROCEDURE

1. Disconnect all negative battery cable(s), and power supplies (if equipped).
2. Wait 1 minute. This is the time required for backup power supply in diagnostic monitor to deplete its stored energy.

### WARNING:

TO AVOID ACCIDENTAL DEPLOYMENT AND POSSIBLE PERSONAL INJURY, THE BACKUP POWER SUPPLY MUST BE DEPLETED BEFORE REPAIRING OR REPLACING ANY AIRBAG SUPPLEMENTAL RESTRAINT SYSTEM (SRS) COMPONENTS. TO DEplete THE BACKUP POWER SUPPLY ENERGY, DISCONNECT THE BATTERY GROUND CABLE AND WAIT ONE MINUTE. BE SURE TO DISCONNECT AUXILIARY BATTERIES AND POWER SUPPLIES (IF EQUIPPED).

### WARNING:

CARRY A LIVE AIRBAG MODULE WITH THE AIRBAG AND TRIM COVER POINTED AWAY FROM YOUR BODY. THIS WILL REDUCE THE RISK OF INJURY IN THE EVENT OF AN ACCIDENTAL DEPLOYMENT.

### WARNING:

DO NOT SET A LIVE AIRBAG MODULE DOWN WITH THE TRIM COVER FACE DOWN.

3. Remove fasteners retaining driver airbag module to steering wheel. Disconnect driver airbag connector and remove the bag from steering wheel. Place the bag on a flat surface with trim cover facing upward. Connect an Airbag Simulator (Part # 105-R0012 in the Rotunda Tool catalog) to the air bag connector on the wire harness in the steering wheel.
4. Disconnect passenger airbag module connector and replace it with an Airbag Simulator (Part # 105-R0012 in the Rotunda Tool catalog) to the airbag connector on the wire harness in the I/P.
5. Reconnect all negative battery cables and power supplies (if equipped).

### REACTIVATION PROCEDURE

1. Disconnect all negative battery cable(s) and power supplies (if equipped).
2. Wait 1 minute for backup power supply to deplete stored energy.
3. Remove Airbag Simulator and reconnect driver airbag connector. Position driver airbag on steering wheel and secure with fasteners (10mm). Tighten fasteners to 2.7-3.7 Nm.[24-32 in-lb].
4. Remove Airbag Simulator and reconnect passenger airbag connector.
5. Reconnect all negative battery cables and power supplies (if equipped).
6. PROVE-OUT the system.

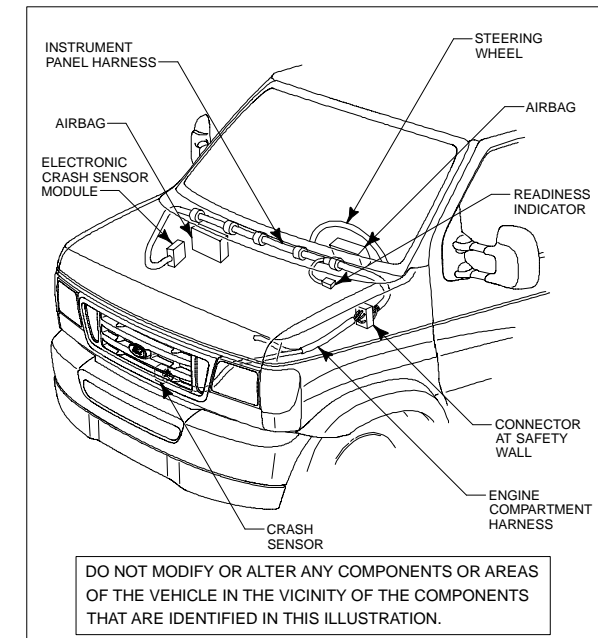
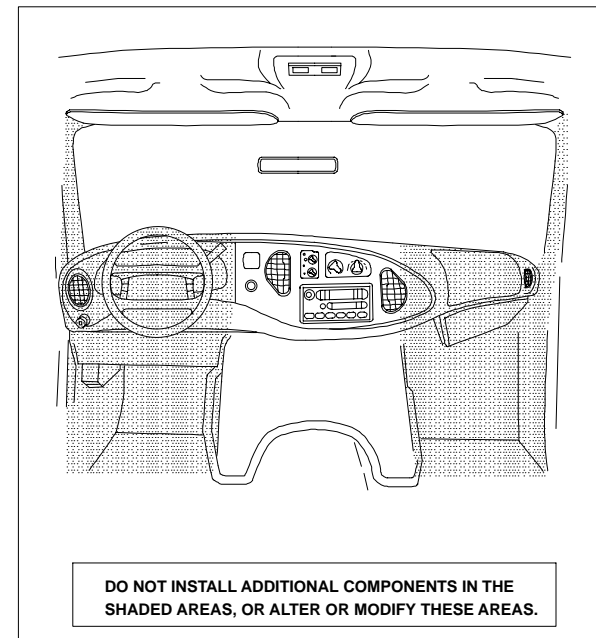
### PROVE-OUT SYSTEM PROCEDURE

Prove-out system means to turn the ignition switch from OFF to RUN and visually monitor the airbag indicator. The airbag will light continuously for approximately six seconds and then turn off. If an airbag system fault is present, the indicator will either fail to light, remain lit continuously or light in a flashing manner. The flashing manner may not occur until approximately 30 seconds after the ignition switch has been turned from OFF to RUN. This is the time required for the diagnostic monitor to complete the testing of the airbag system. If the airbag indicator is inoperative and an airbag system fault exists, a tone will sound in a pattern of five sets of five beeps. If this occurs, the airbag indicator will need to be serviced before further diagnosis can be done.

# E-550 SUPER DUTY CUTAWAY OCCUPANT PROTECTION SYSTEMS AIRBAG SUPPLEMENTAL RESTRAINT SYSTEM

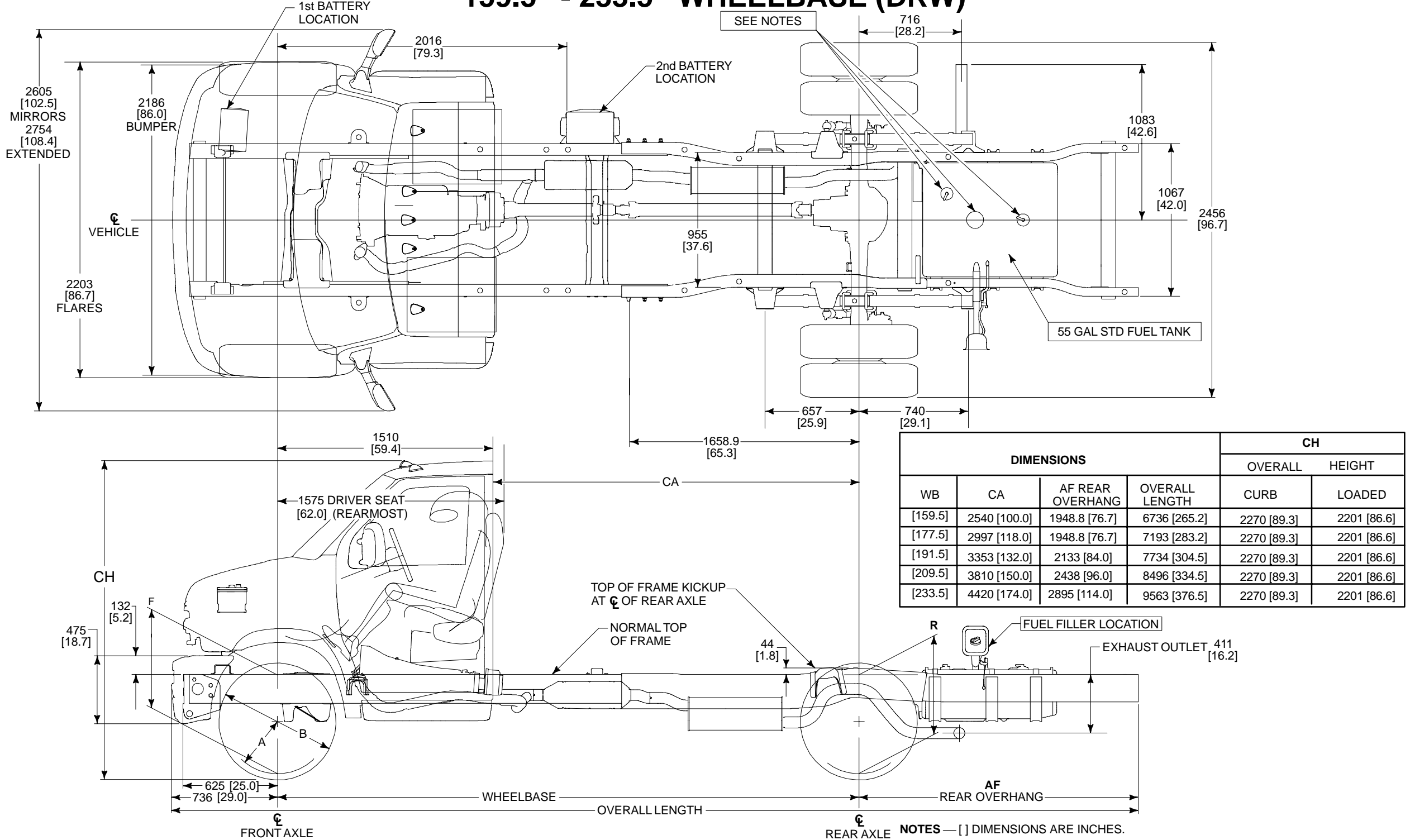
## AIRBAG USAGE CHART

VEHICLE	DRIVER	PASSENGER
E-550 Super Duty Cutaway	Standard Front	Standard Front



BB0466

# DIMENSIONAL DATA E-550 SUPER DUTY CUTAWAY 159.5" - 233.5" WHEELBASE (DRW)



DIMENSIONS				CH	
WB	CA	AF REAR OVERHANG	OVERALL LENGTH	OVERALL CURB	HEIGHT LOADED
[159.5]	2540 [100.0]	1948.8 [76.7]	6736 [265.2]	2270 [89.3]	2201 [86.6]
[177.5]	2997 [118.0]	1948.8 [76.7]	7193 [283.2]	2270 [89.3]	2201 [86.6]
[191.5]	3353 [132.0]	2133 [84.0]	7734 [304.5]	2270 [89.3]	2201 [86.6]
[209.5]	3810 [150.0]	2438 [96.0]	8496 [334.5]	2270 [89.3]	2201 [86.6]
[233.5]	4420 [174.0]	2895 [114.0]	9563 [376.5]	2270 [89.3]	2201 [86.6]

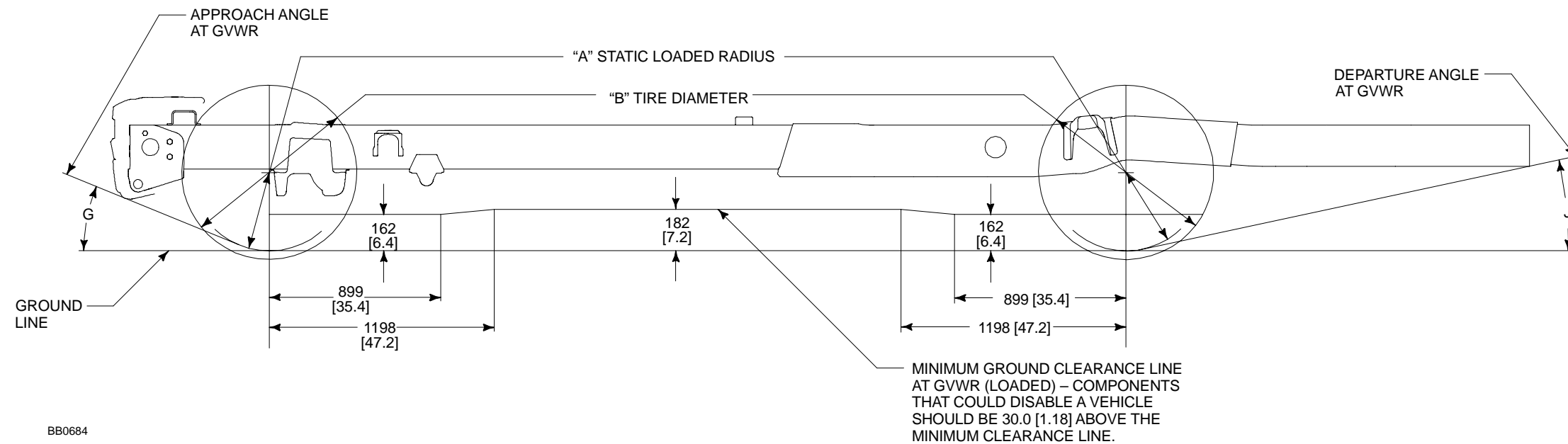
**NOTES** — [ ] DIMENSIONS ARE INCHES.  
 — A, B, F, R DIMENSIONS, SEE PAGE 11.  
 — 25 MM CLEARANCE IS REQUIRED BETWEEN ALL FUEL TANK COMPONENTS AND SECOND UNIT BODY. CONTACT BODY BUILDERS ADVISORY SERVICE FOR INFORMATION.

BB0688

## E-550 SUPER DUTY CUTAWAY VEHICLE HEIGHT DATA TIRE/GROUND CLEARANCE DATA

MODEL	WB	GVWR pounds standard/ optional	MINIMUM TIRE	FRONT GAWR MIN/MAX pounds	COMBINED FRONT SPRING CAPACITY RATE @ GROUND pounds	F		REAR GAWR MIN/MAX pounds standard/ optional	COMBINED REAR SPRING CAPACITY RATE @ GROUND pounds	R		CH	
						HEIGHT @ FRONT AXLE <sup>(1)</sup>	HEIGHT @ FRONT AXLE <sup>(1)</sup>			HEIGHT @ REAR AXLE <sup>(1)</sup>	HEIGHT @ REAR AXLE <sup>(1)</sup>	OVERALL HEIGHT OF VEHICLE (STANDARD SPRINGS) <sup>(1)</sup>	
						BASE CURB WEIGHT mm [in]	LOADED mm [in]			BASE CURB WEIGHT mm [in]	LOADED mm [in]	UNLOADED mm [in]	LOADED mm [in]
						STD SPRING	STD SPRING			STD SPRING	STD SPRING	STD SPRING	STD SPRING
E-550 SUPER DUTY CUTAWAY	ALL	17,500 19,000	225/70R19.5F	6000	6000	772 [30.3]	703 [27.6]	11,500/13,500	11,500/13,500	817.8 [32.2]	725.0 [28.5]	2270 [89.3]	2201 [86.6]

(1) — The Height Data shown represents dimensions of a nominal vehicle with no options. Actual height may vary due to production tolerances.



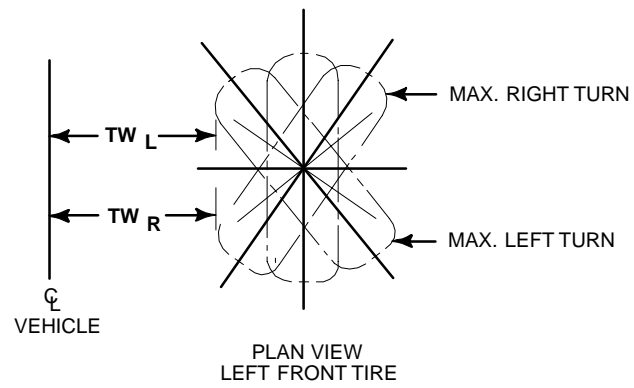
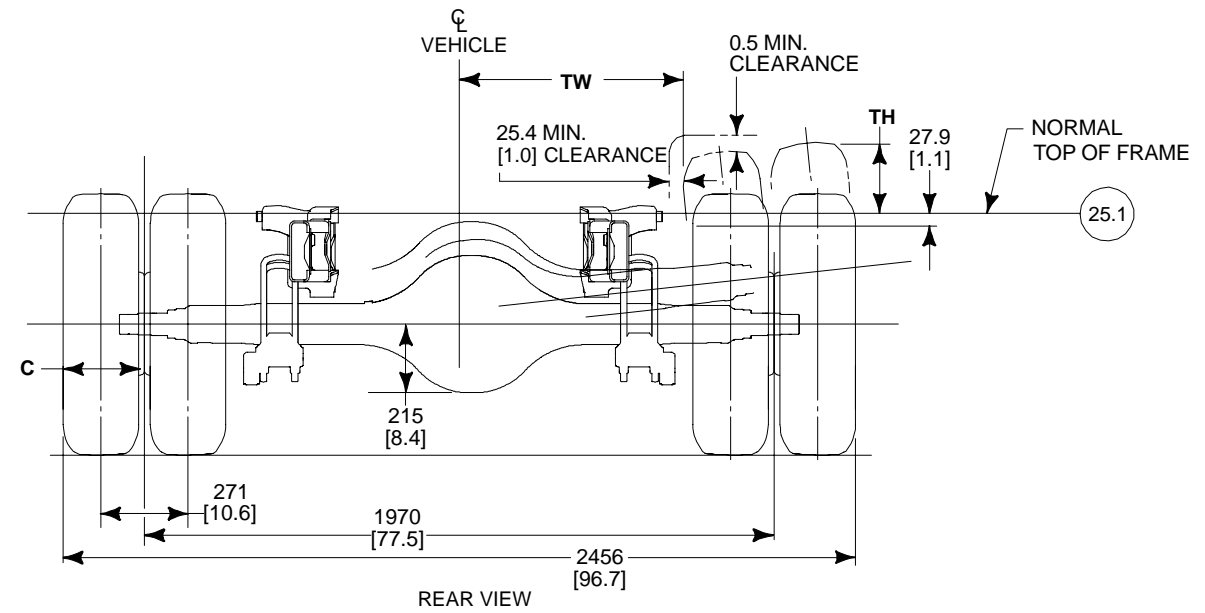
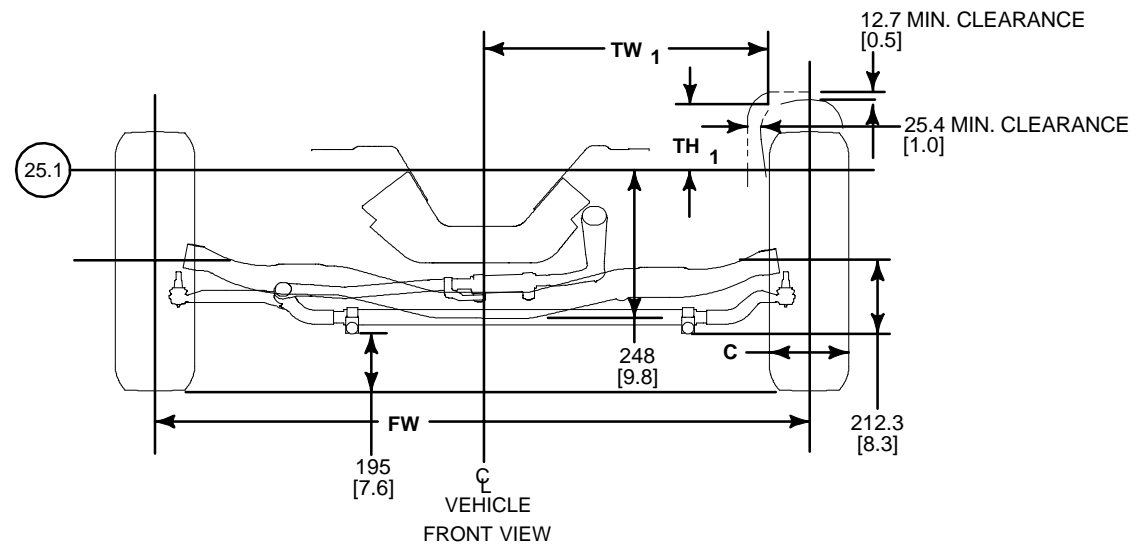
BB0684

### BASE VEHICLE UNLOADED CURB WEIGHT

MODEL	TIRE SIZE	ALL SEASON TIRE DATA				TREAD WIDTH		OW	TH	TW	GROUND CLEARANCE									
		A	B	C		FW	RW	OVERALL WIDTH	STD	STD	G					J				
		STATIC LOADED RADIUS	MAX. DIAMETER	MAX. SECTION WIDTH	RIM WIDTH	FRONT	REAR	REAR	SPRING	SPRING	APPROACH ANGLE					DEPARTURE ANGLE				
											159.5 WB	177.5 WB	191.5 WB	209.5 WB	233.5 WB	159.5 WB	177.5 WB	191.5 WB	209.5 WB	233.5 WB
E-550	225/70R19.5F	378 [14.9]	811 [31.9]	226 [8.9]	152 [6.0]	1999 [78.7]	1970 [77.5]	2456 [96.7]	205.7 [8.1]	708 [27.9]	33°	33°	33°	33°	33°	15.9°	15.9°	14.5°	12.6°	10.6°

NOTE — [ ] DIMENSIONS ARE INCHES.

# E-550 SUPER DUTY CUTAWAY ALL WHEELBASES



	TW <sub>1</sub>	TH <sub>1</sub>	TW <sub>L</sub>	TW <sub>R</sub>
225/70R/19.5F	838 [33.0]	213 [8.4]	640 [25.2]	668 [26.3]

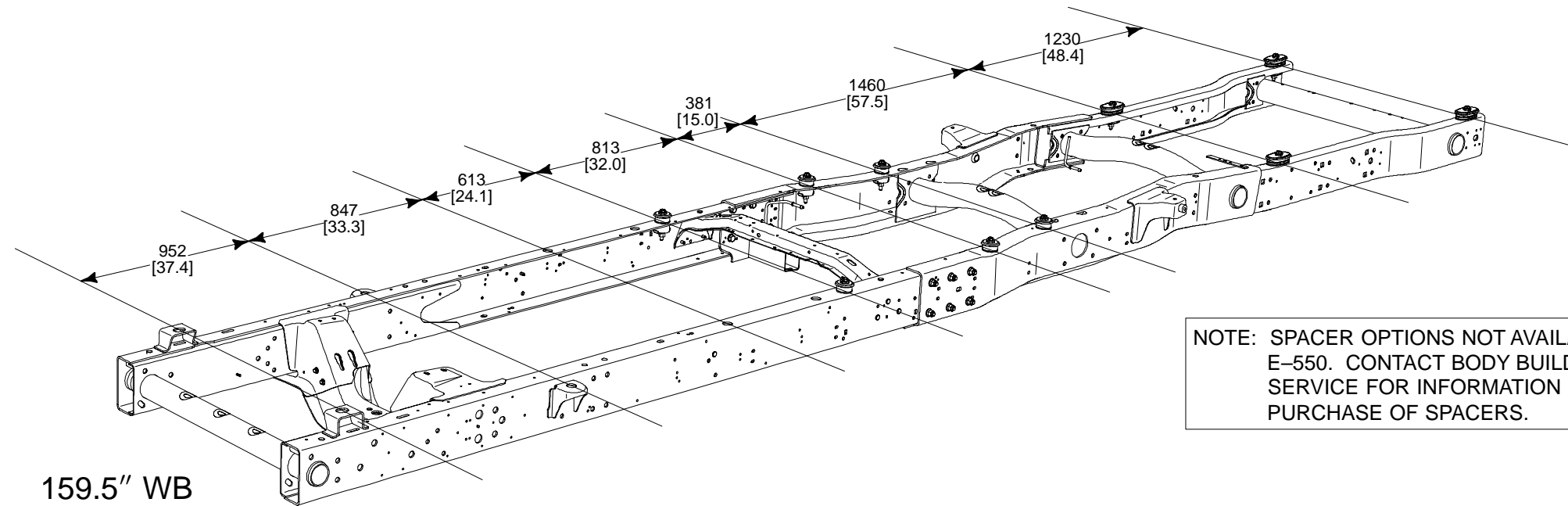
TW = DISTANCE FROM  $\phi$  OF VEHICLE TO SIDE OF TIRE IN MODIFIED JOUNCE.  
TH = DISTANCE FROM TOP OF FRAME SPACERS TO TOP OF TIRE IN MODIFIED JOUNCE.

BB0685

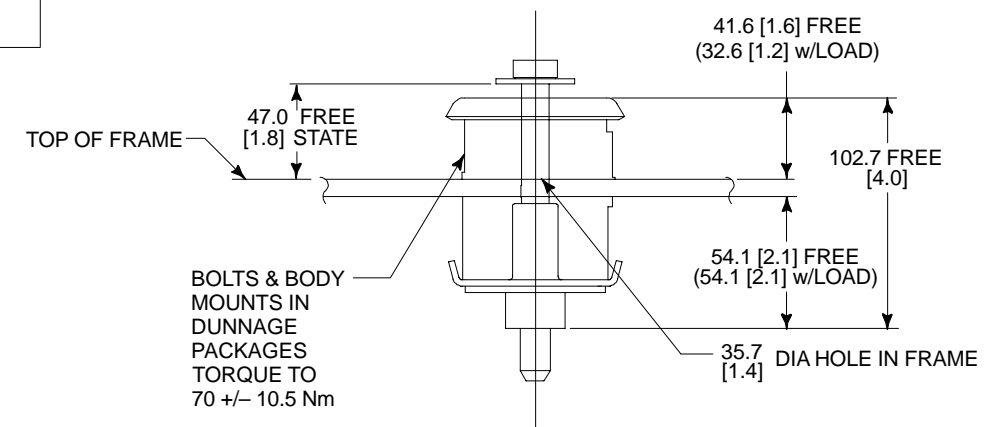
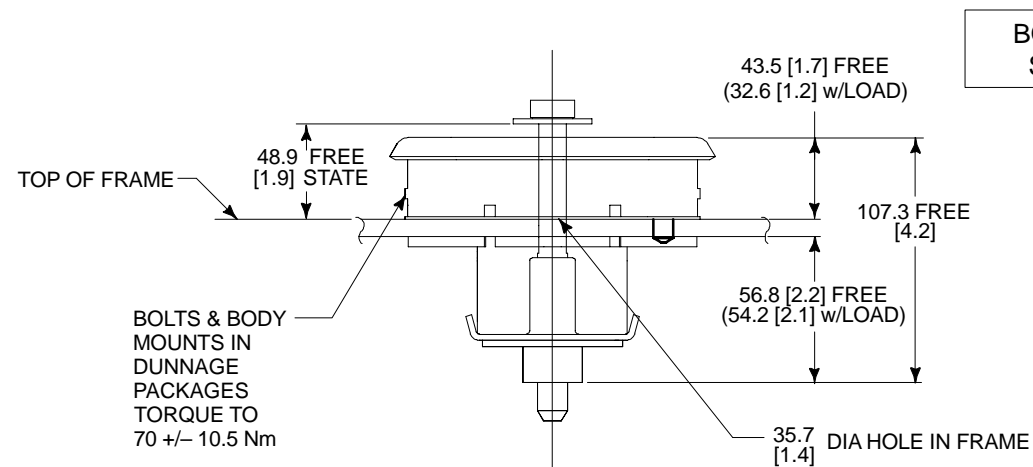
NOTES — [ ] DIMENSIONS ARE INCHES.

— C, FW, TW, TH DIMENSIONS, SEE PAGE 11.

# E-550 SUPER DUTY CUTAWAY 159.5" WHEELBASE FRAME DATA BODY PUCKS



NOTE: SPACER OPTIONS NOT AVAILABLE ON E-550. CONTACT BODY BUILDERS ADVISORY SERVICE FOR INFORMATION REGARDING THE PURCHASE OF SPACERS.



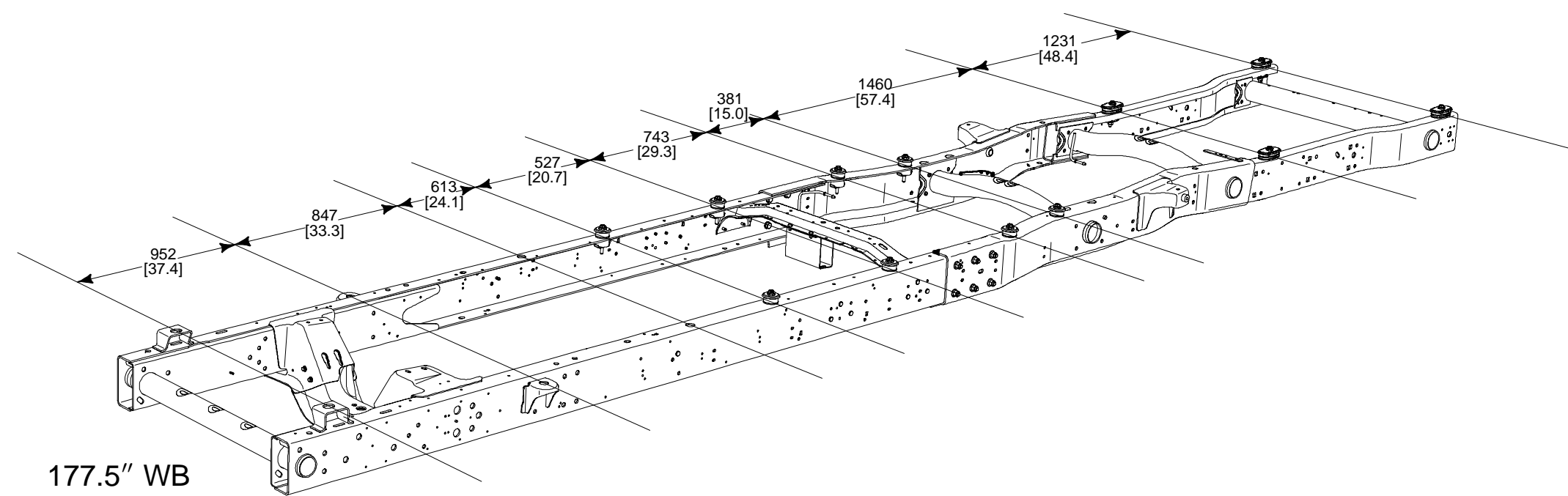
NOTES — [ ] DIMENSIONS ARE INCHES.  
— C, CH, FW DIMENSIONS, SEE PAGE 11.

BB0679

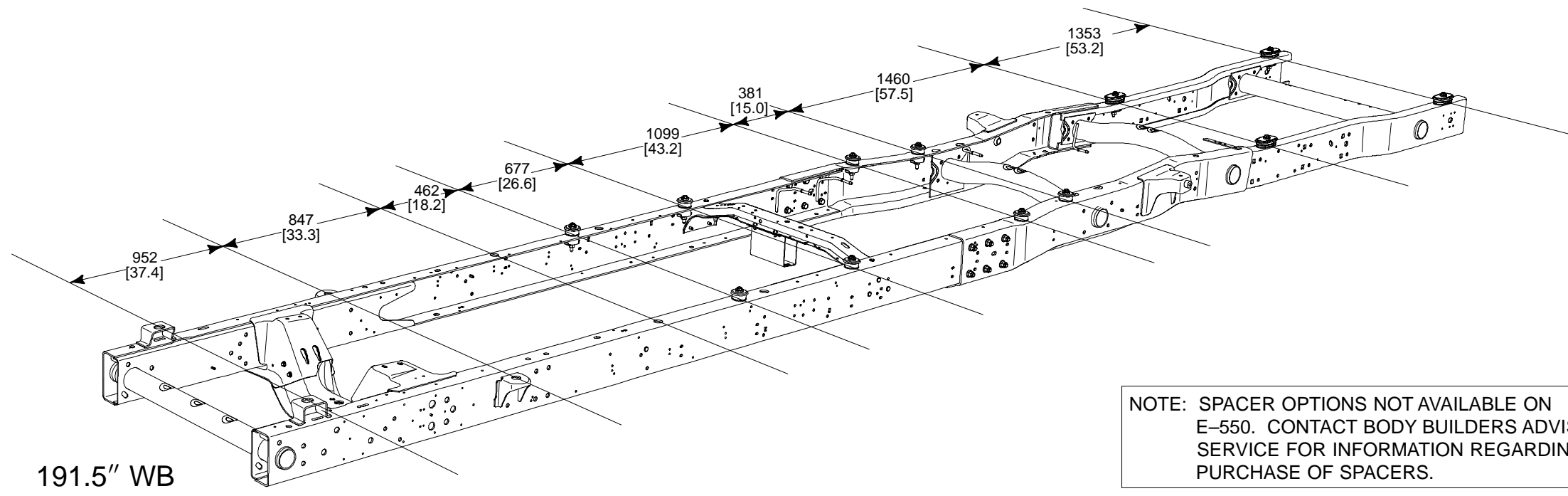
click here

TO RETURN TO INDEX

# E-550 SUPER DUTY CUTAWAY 177.5" - 191.5" WHEELBASE FRAME DATA



BB0680



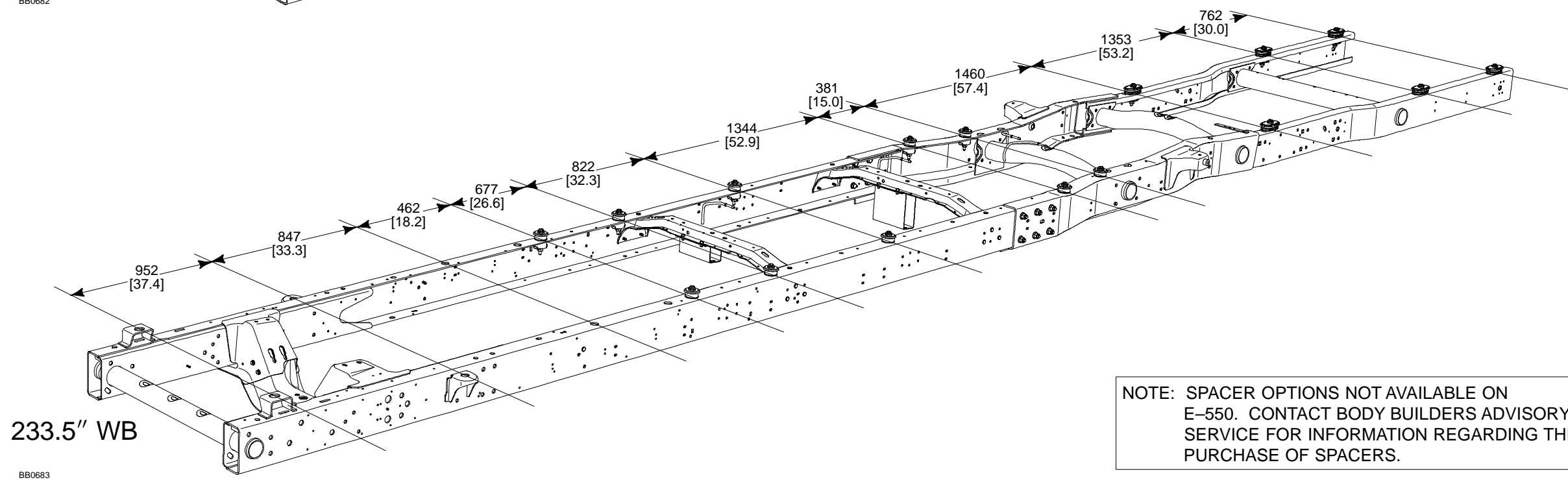
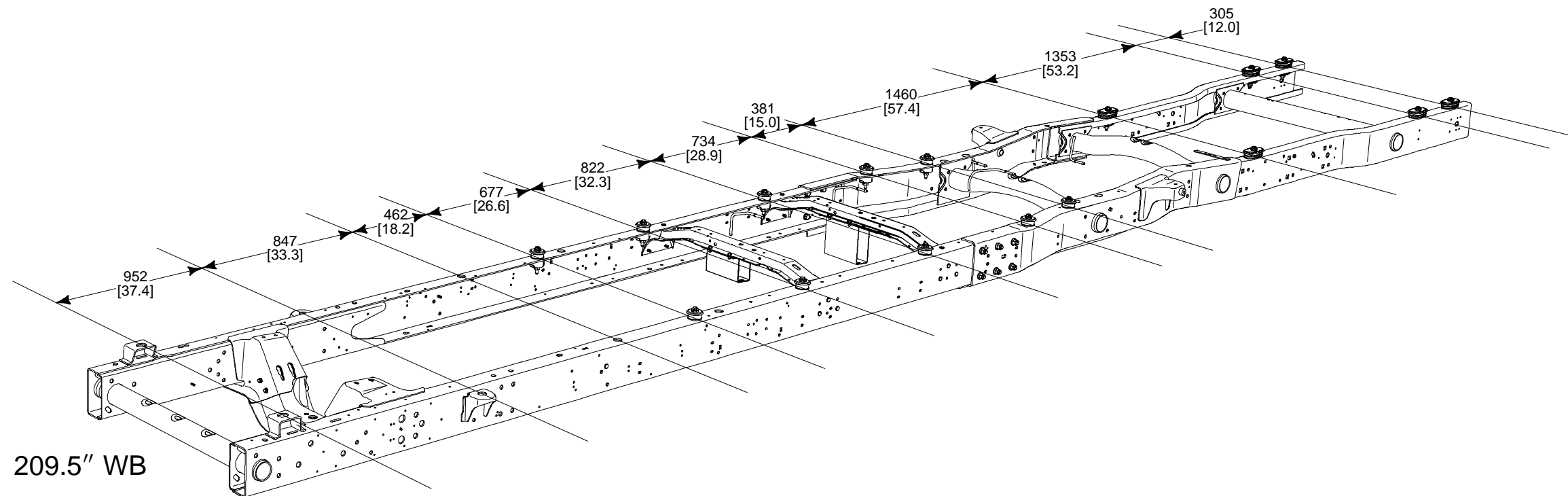
BB0681

NOTE: SPACER OPTIONS NOT AVAILABLE ON E-550. CONTACT BODY BUILDERS ADVISORY SERVICE FOR INFORMATION REGARDING THE PURCHASE OF SPACERS.

NOTE — [ ] DIMENSIONS ARE INCHES.



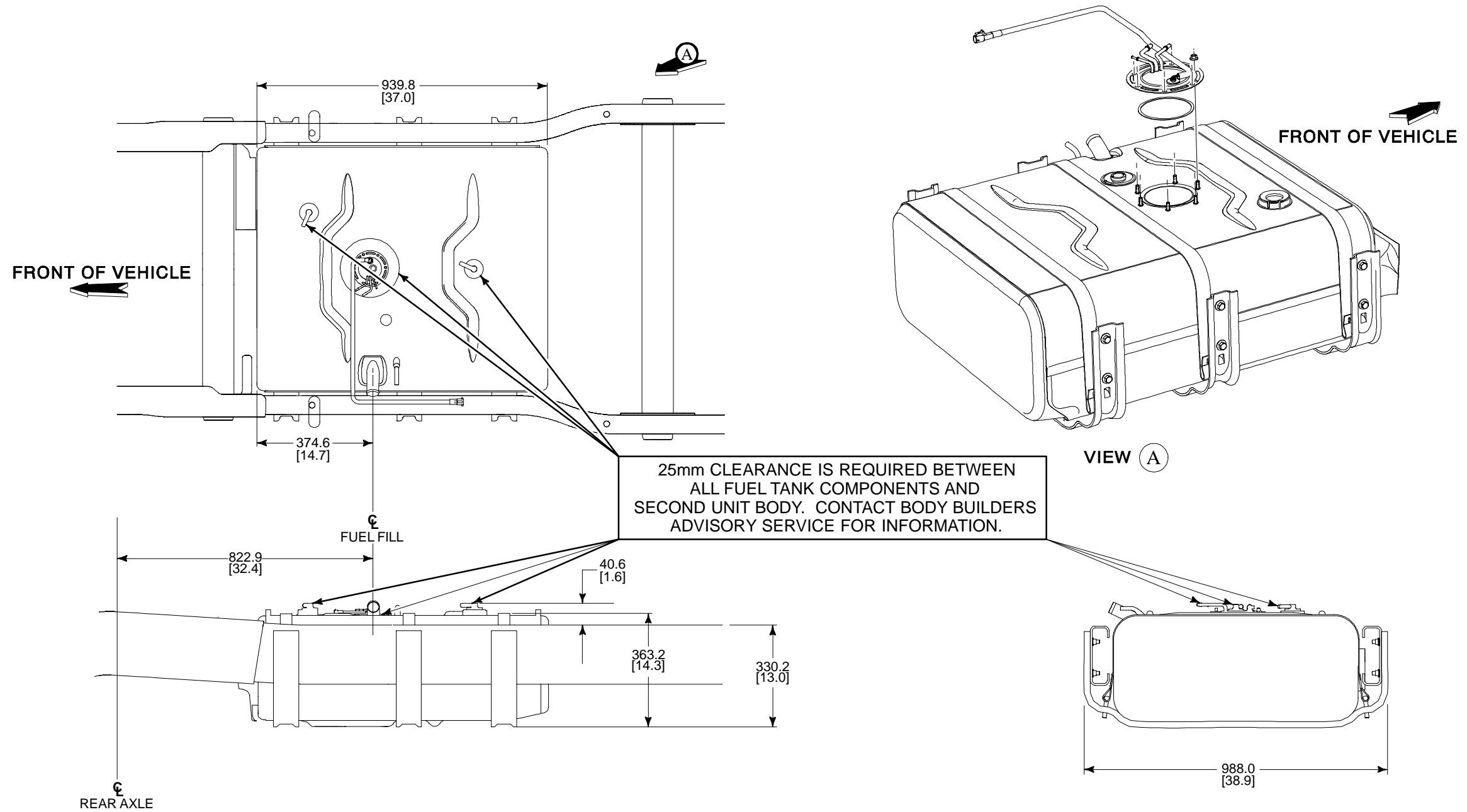
# E-550 SUPER DUTY CUTAWAY 209.5" - 233.5" WHEELBASE FRAME DATA



NOTE: SPACER OPTIONS NOT AVAILABLE ON E-550. CONTACT BODY BUILDERS ADVISORY SERVICE FOR INFORMATION REGARDING THE PURCHASE OF SPACERS.

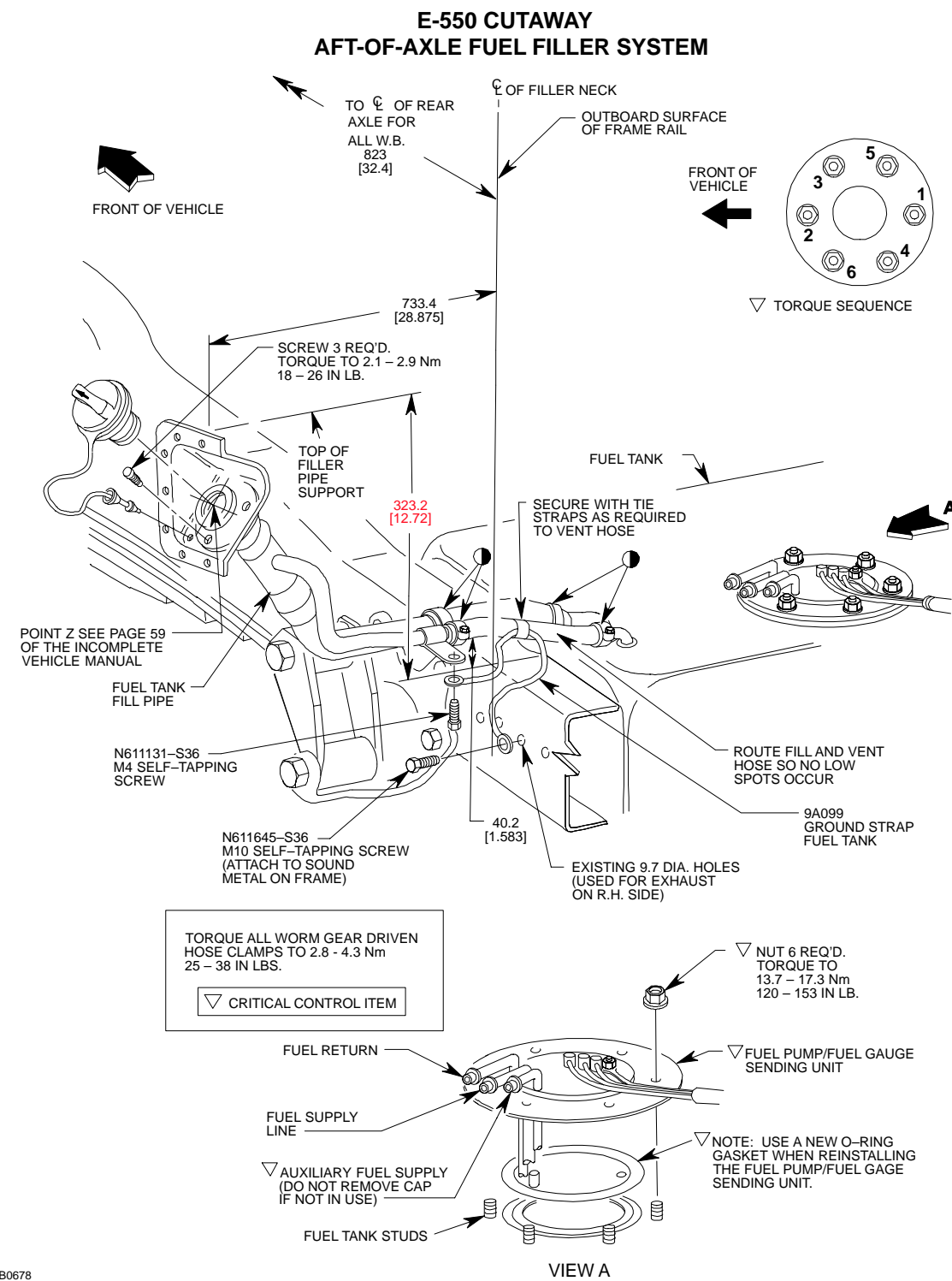
NOTE — [ ] DIMENSIONS ARE INCHES.

# E-550 SUPER DUTY CUTAWAY 55 GALLON AFT-OF-AXLE FUEL TANK



BB0693

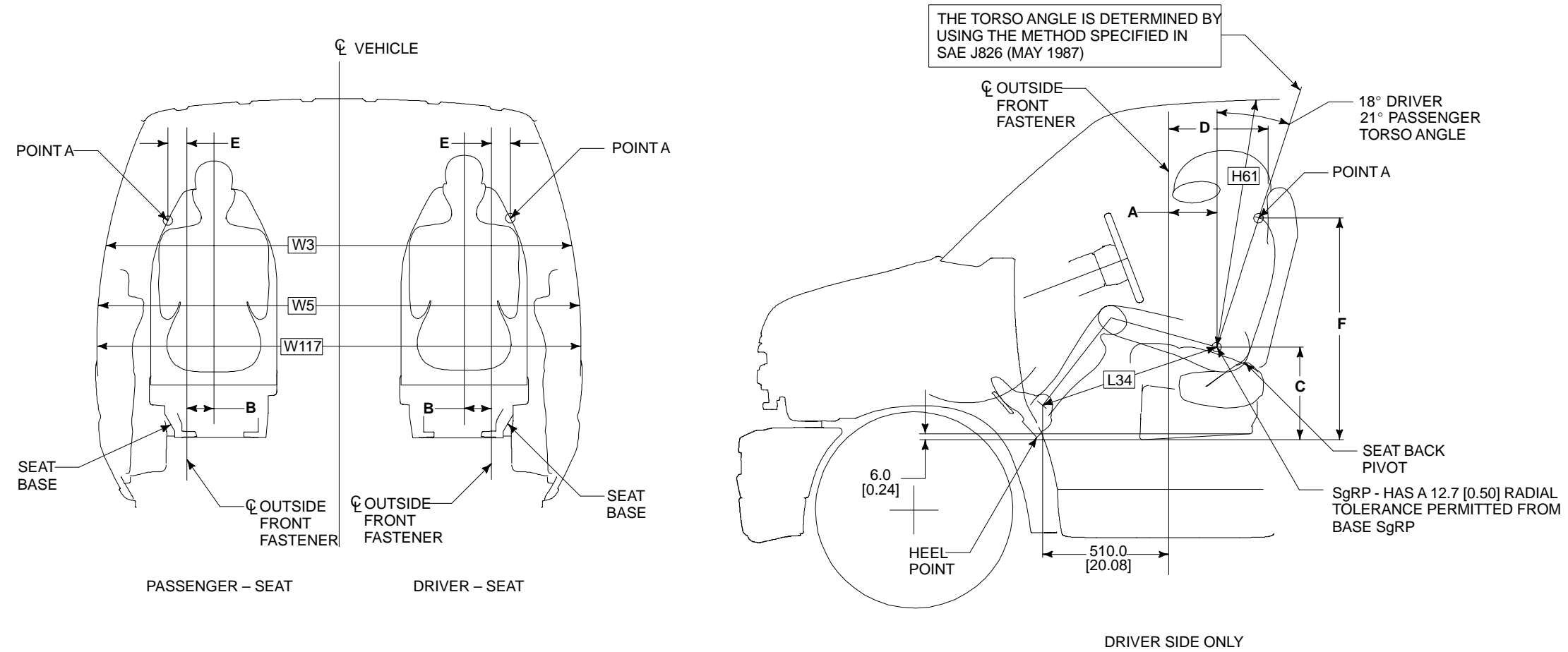
# E-550 SUPER DUTY CUTAWAY FUEL FILLER SYSTEMS



BB0678

NOTE — [ ] DIMENSIONS ARE INCHES.

# E-550 SUPER DUTY CUTAWAY DIMENSIONAL DATA



**IMPORTANT:**  
THE DIMENSIONS IN THIS FIGURE REQUIRE THE VEHICLE TO BE AT DESIGN POSITION. E-SERIES VEHICLES AT DESIGN POSITION WILL BE LEVEL FRONT TO REAR, AND SIDE TO SIDE, ON THE UPPER SURFACE OF THE RIBBED FLOOR PANEL FROM THE B-PILLAR REARWARD.

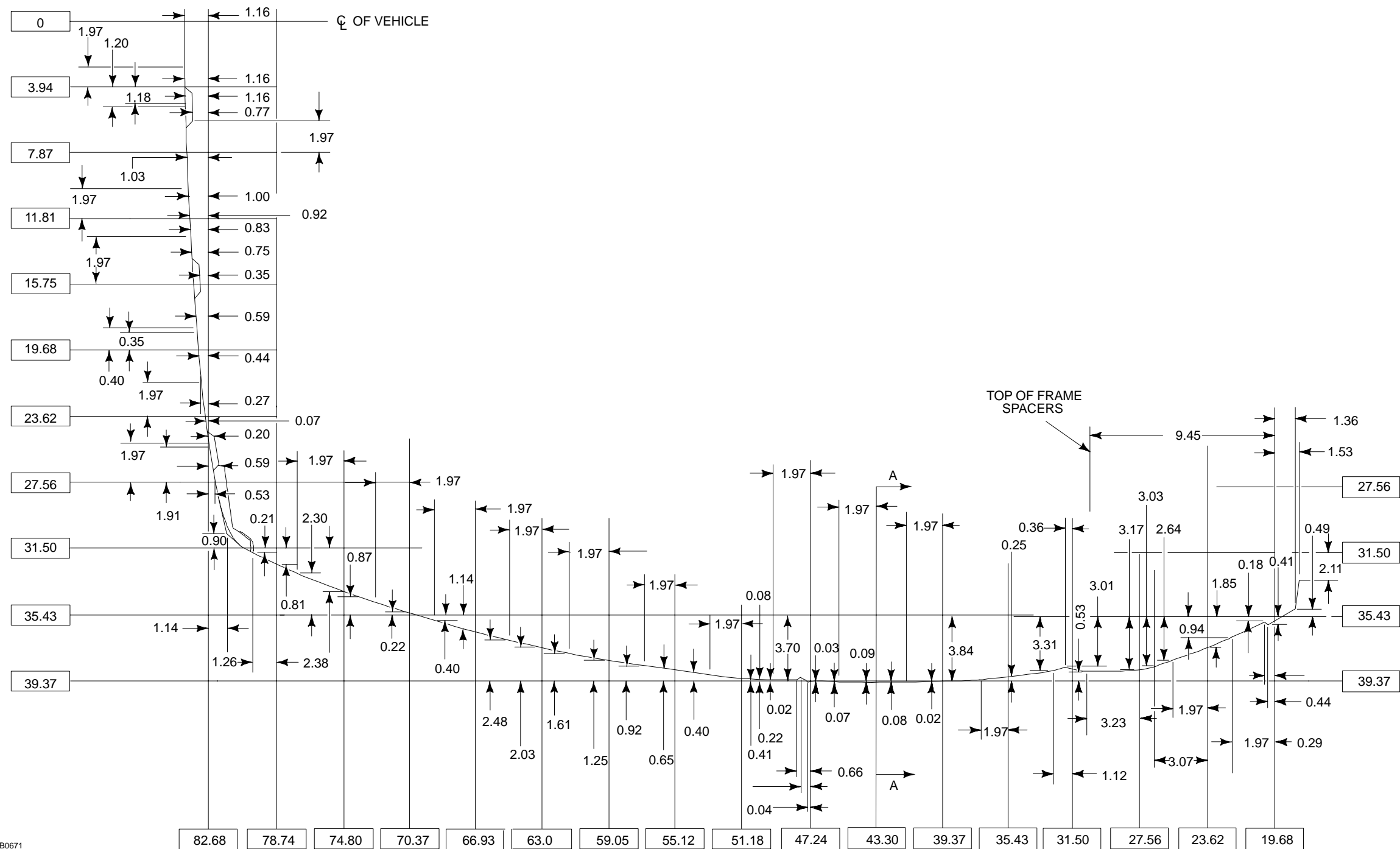
BB0686

SgRP INFORMATION (SEAT POSITION IS 10.0 [0.39] FORWARD OF REARMOST POSITION)	POINT A (SEAT POSITION IS AT THE MIDPOINT OF AVAILABLE TRAVEL)					
	A	B	C	D	E	F
DRIVER - SEAT (CUTAWAY)	217.8 [8.57]	105.0 [4.13]	384.2 [15.13]	356.0 [14.01]	67.0 [2.64]	937.4 [36.90]
PASSENGER - SEAT (CUTAWAY)	277.3 [10.92]	103.0 [4.06]	377.0 [14.84]	412.0 [16.22]	65.0 [2.56]	960.0 [37.80]

CODE	DESCRIPTION	DIMENSIONS
FRONT COMPARTMENT		
L34	MAXIMUM EFFECTIVE LEG ROOM – FRONT	1015 [39.9]
W3	SHOULDER ROOM – FRONT	1736 [68.3]
W5	HIP ROOM – FRONT	1666 [65.6]
W117	BODY WIDTH AT H-POINT	1999 [78.7]
H61	EFFECTIVE HEAD ROOM – FRONT	1079 [42.5]

NOTE — [ ] DIMENSIONS ARE INCHES.

## E-550 SUPER DUTY CUTAWAY BODY "SECTION A"



BB0671

NOTE — DIMENSIONS SHOWN ARE INCHES.

click here

TO RETURN TO INDEX

# ELECTRICAL WIRING CUSTOMER ACCESS CIRCUITS

## CIRCUIT CHART

Circuit Number	Color Code	Wire Gauge	Functional Description
14	BR	18	Marker lamp feed to electric brake controller
43	DB	12	Electric trailer brake controller to trailer
49	OG	12	Relay feed ignition run
22	LB/BK	12	Trailer brake controller or B+ feed
52	YE	16	Fused left hand stop/turn
64	DG	16	Fused right hand stop/turn
206	W	16	Ground
511	LG	18	Center high mount or lamp feed stop
962	BR/W	16	Relay feed marker lamps
963	BK/LG	16	Relay feed backup lamp
867	DB	12	Customer pass thru circuits
868	GY/R	12	Customer pass thru circuits
53	BK/LB	18	Courtesy lamps
54	LG/YE	18	Courtesy switch feed
3	LG/WH	18	Left turn signal
2	WH/LB	18	Right turn signal
37	YE	12	Battery feed
517	BK/WH	12	Fused feed
751	DB/W	12	Aux. Sw. med hi
752	YE/RD	12	Aux. Sw. med lo
754	LG/WH	12	Aux. Sw. RR Con
757	RD/WH	18	Aux. Sw. hi

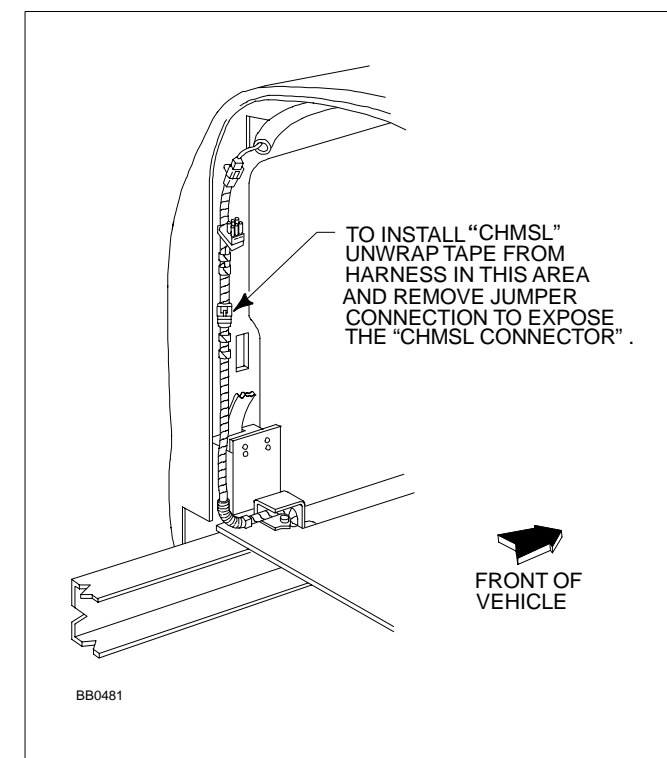


FIGURE A  
E-SERIES SUPER DUTY CUTAWAY

## Free Manuals Download Website

<http://myh66.com>

<http://usermanuals.us>

<http://www.somanuals.com>

<http://www.4manuals.cc>

<http://www.manual-lib.com>

<http://www.404manual.com>

<http://www.luxmanual.com>

<http://aubethermostatmanual.com>

Golf course search by state

<http://golfingnear.com>

Email search by domain

<http://emailbydomain.com>

Auto manuals search

<http://auto.somanuals.com>

TV manuals search

<http://tv.somanuals.com>