



## INSTALLATION INSTRUCTIONS FOR PART 95-5025

### APPLICATIONS

# FORD Mustang 1987-1993

## 95-5025

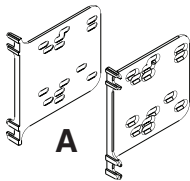
### KIT FEATURES

- Double DIN Head Unit Provision
- ISO Stacked Head Unit Provision

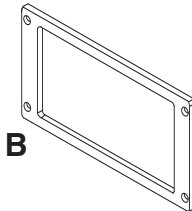


### KIT COMPONENTS

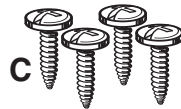
A) Double DIN Brackets • B) Double DIN Trim plate • C) (4) # 8 X 1" Phillips Screws



A



B



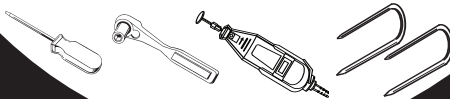
C

### WIRING AND ANTENNA CONNECTIONS (Sold Separately)

- 70-1770 - Ford harness - 1985-2004

### TOOLS REQUIRED:

- Phillips Screwdriver • Socket Wrench • Rotary Cutting Tool
- Radio Removal Tools (Part # 86-5618)



1-800-221-0932



[www.metraonline.com](http://www.metraonline.com)

© COPYRIGHT 2009 METRA ELECTRONICS CORPORATION



**TABLE OF CONTENTS**

**Dash Disassembly**

**- Ford Mustang 1987-1993 ..... 1**

**Kit Assembly**

**- Double DIN Head Unit Provision ..... 2**

**- ISO Stacked Head Unit Provision ..... 2**

**\*Note:**

**Refer also to the instructions included with the aftermarket radio.**

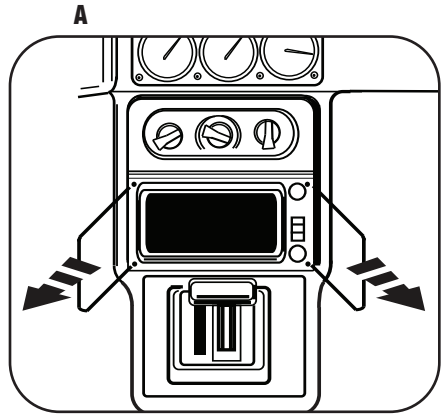


**KNOWLEDGE IS POWER**

Enhance your installation and fabrication skills by enrolling in the most recognized and respected mobile electronics school in our industry. Log onto [www.installerinstitute.com](http://www.installerinstitute.com) or call 800-354-6782 for more information and take steps toward a better tomorrow.

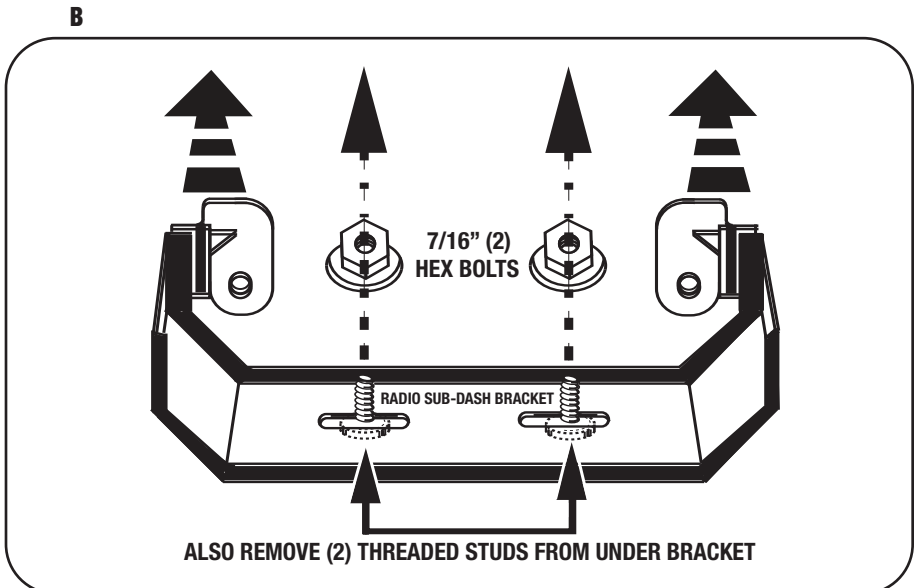
## FORD MUSTANG 1987-1993

- 1 Disconnect the negative battery terminal to prevent an accidental short circuit.
- 2 Using *Metra's 86-5618*, pull the factory head unit from the dash and disconnect the wiring. (Figure A)



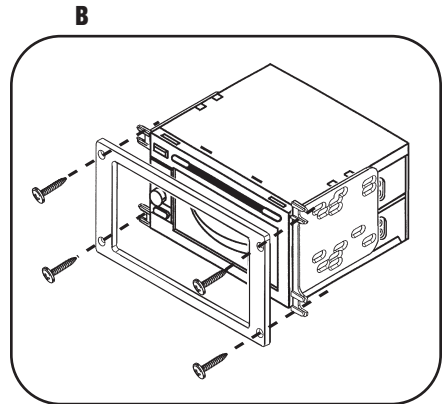
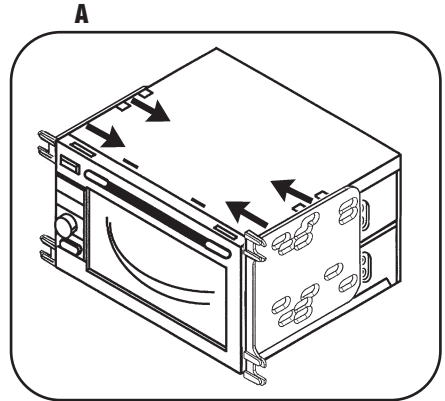
- 3 Remove two 7/16" hex bolts from inside the dash cavity and remove the radio sub-dash bracket. (***See recommended tool list on front cover***)  
**Note:** The threaded studs from under this bracket will also need to be removed for the aftermarket Double DIN radio to clear. (Figure B)

Continue to kit assembly.



**DOUBLE DIN HEAD UNIT PROVISION/  
ISO STACKED HEAD UNIT PROVISION**

- 1 Locate the factory wiring harness in the dash. Metra recommends using the proper mating adapter from Metra or AXCESS. Re-connect the negative battery terminal and test the unit for proper operation.
- 2 Attach the Double DIN brackets to the Double DIN radio or stacked ISO head units using the screws supplied with the radio. (Figure A)
- 3 Mount the head unit/ kit assembly to the dash using the four supplied # 8 x 1" Phillips screws. (Figure B)



## Free Manuals Download Website

<http://myh66.com>

<http://usermanuals.us>

<http://www.somanuals.com>

<http://www.4manuals.cc>

<http://www.manual-lib.com>

<http://www.404manual.com>

<http://www.luxmanual.com>

<http://aubethermostatmanual.com>

Golf course search by state

<http://golfingnear.com>

Email search by domain

<http://emailbydomain.com>

Auto manuals search

<http://auto.somanuals.com>

TV manuals search

<http://tv.somanuals.com>