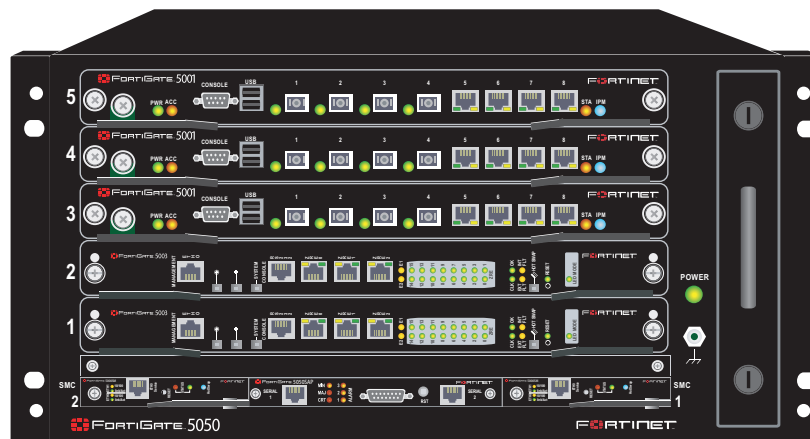


FortiGate-5050-R

Chassis Guide



A detailed guide to the FortiGate-5050 chassis. This *FortiGate-5050-R Chassis Guide* describes FortiGate-5050 hardware features, and how to install the FortiGate-5050 chassis.

The most recent versions of this and all FortiGate-5000 series documents are available from the [FortiGate-5000](http://docs.forticare.com) page of the [Fortinet Technical Documentation](http://docs.forticare.com) web site (<http://docs.forticare.com>).

Visit <http://support.fortinet.com> to register your FortiGate-5050-R chassis. By registering you can receive product updates, technical support, and FortiGuard services.



FortiGate-5050-R Chassis Guide
01-30000-87717-20090108

Warnings and cautions

Only trained and qualified personnel should be allowed to install or maintain FortiGate-5000 series equipment. Read and comply with all warnings, cautions and notices in this document.



CAUTION: Risk of Explosion if Battery is replaced by an Incorrect Type. Dispose of Used Batteries According to the Instructions.



Caution: You should be aware of the following cautions and warnings before installing FortiGate-5000 series hardware

- Turning off all power switches may not turn off all power to the FortiGate-5000 series equipment. Some circuitry in the FortiGate-5000 series equipment may continue to operate even though all power switches are off.
- Many FortiGate-5000 components are hot swappable and can be installed or removed while the power is on. But some of the procedures in this document may require power to be turned off and completely disconnected. Follow all instructions in the procedures in this document that describe disconnecting FortiGate-5000 series equipment from power sources, telecommunications links and networks before installing, or removing FortiGate-5000 series components, or performing other maintenance tasks. Failure to follow the instructions in this document can result in personal injury or equipment damage.
- Install FortiGate-5000 series chassis at the lower positions of a rack to avoid making the rack top-heavy and unstable.
- Do not insert metal objects or tools into open chassis slots.
- Electrostatic discharge (ESD) can damage FortiGate-5000 series equipment. Only perform the procedures described in this document from an ESD workstation. If no such station is available, you can provide some ESD protection by wearing an anti-static wrist strap and attaching it to an available ESD connector such as the ESD sockets provided on FortiGate-5000 series chassis.
- Make sure all FortiGate-5000 series components have reliable grounding. Fortinet recommends direct connections to the building ground.
- If you install a FortiGate-5000 series component in a closed or multi-unit rack assembly, the operating ambient temperature of the rack environment may be greater than room ambient. Make sure the operating ambient temperature does not exceed Fortinet's maximum rated ambient temperature.
- Installing FortiGate-5000 series equipment in a rack should be such that the amount of airflow required for safe operation of the equipment is not compromised.
- FortiGate-5000 series chassis should be installed by a qualified electrician.
- FortiGate-5000 series equipment shall be installed and connected to an electrical supply source in accordance with the applicable codes and regulations for the location in which it is installed. Particular attention shall be paid to use of correct wire type and size to comply with the applicable codes and regulations for the installation / location. Connection of the supply wiring to the terminal block on the equipment may be accomplished using Listed wire compression lugs, for example, Pressure Terminal Connector made by Ideal Industries Inc. or equivalent which is suitable for AWG 10. Particular attention shall be given to use of the appropriate compression tool specified by the compression lug manufacturer, if one is specified.

Contents

- Warnings and cautions..... 2**
- FortiGate-5050 chassis..... 5**
- FortiGate-5050 front panel 6**
- FortiGate-5050 back panel 7**
- Physical description of the FortiGate-5050 chassis 8**
- FortiGate-5050 shelf managers..... 8**
 - Shelf Manager fan and power control..... 9
- FortiGate-5050 shelf alarm panel..... 9**
 - Shelf alarm panel telco alarms 11
- Shelf manager command line interface (CLI) 12**
 - Connecting to the shelf manager CLI using a serial port..... 12
- Power connection and configuration..... 15**
- About data center DC power..... 15**
- Connecting the FortiGate-5050 chassis to data center DC power and data center ground..... 15**
 - Connecting a FortiGate-5050 power input connector to data center DC power..... 15
 - Connecting the FortiGate-5050 chassis to data center ground 17
- Connecting the FortiGate-5050 chassis to AC power using the FortiGate-5053 power converter tray 17**
 - FortiGate-5053 power converter tray front and back panel 18
 - Selecting the power supplies and power converter trays that you need for your FortiGate-5050 configuration..... 19
 - Connecting a FortiGate-5050 chassis to the FortiGate-5053 power converter tray..... 22
- Turning on FortiGate-5050 chassis power 24**
- FortiGate-5050 hardware procedures 25**
- Mounting the FortiGate-5050 chassis 25**
 - Air flow 25
- Inserting 5000 series modules into a FortiGate-5050 chassis..... 25**
- Using FortiSwitch-5003A and FortiSwitch-5003 boards for backplane communication..... 26**
- For more information..... 27**
- Fortinet documentation 27**
 - Fortinet Tools and Documentation CD 27
 - Fortinet Knowledge Center 27
 - Comments on Fortinet technical documentation 27
- Customer service and technical support..... 27**
- Register your Fortinet product 27**

FortiGate-5050 chassis

You can install up to five FortiGate-5000 series boards in the five slots of the FortiGate-5050 ATCA chassis. The FortiGate-5050 is a 5U 19-inch rackmount ATCA chassis that contains two redundant DC power connections that connect to -48 VDC Data Center DC power. The FortiGate-5050 chassis also includes a hot swappable cooling fan tray. If all five slots contain FortiGate-5005FA2, FortiGate-5001SX, or FortiGate-5001FA2 boards, the FortiGate-5050 chassis provides a total of 40 FortiGate gigabit ethernet interfaces. If all 5 slots contain FortiGate-5001A boards the FortiGate-5050 chassis supports ten 1-Gigabit ethernet FortiGate interfaces. If you add FortiGate-ADM-XB2 modules to the FortiGate-5001A boards the FortiGate-5050 chassis supports another ten 10-Gigabit interfaces.

You can also install a FortiSwitch-5003A or FortiSwitch-5003 board in the FortiGate-5050 chassis to provide base backplane communications. Base backplane communications can be used for HA heartbeat communications and for data communications. You can add a second FortiSwitch-5003A or FortiSwitch-5003 board for redundancy. FortiSwitch-5003A boards can also provide fabric backplane communication using the FortiGate-5050 fabric backplane channels.

You can mix and match any combination of FortiGate-5000 series boards in the FortiGate-5050 chassis. For example, you could install two FortiGate-5005FA2 boards, two FortiGate-5001SX boards, and one FortiGate-5001FA2 board. You can also install FortiController-5208 and FortiGate-5005FA2 boards in a FortiGate-5050 chassis to create a FortiGate-5005-DIST security system.

Some of the boards installed in a FortiGate-5050 chassis can be operating in a FortiGate HA cluster and some can be operating as standalone FortiGate units. You can also operate multiple HA clusters and standalone FortiGate units in a single FortiGate-5050 chassis. You can also use FortiSwitch-5003A or FortiSwitch-5003 boards to operate HA clusters consisting of FortiGate-5000 series boards installed in multiple FortiGate-5000 chassis. You can also use FortiSwitch-5003A boards for fabric data communication between chassis.

The FortiGate-5050 chassis also includes 14 rear transition module (RTM) slots. The FortiGate-5050 chassis supports 10-gigabit fabric channel communication if you have installed FortiGate-5001A boards with FortiGate-RTM-XB2 modules and one or two FortiSwitch-5003A boards.

The FortiGate-5050 chassis requires -48VDC Data Center DC power. If DC power is not available you can install a FortiGate-5053 power converter tray (purchased separately) with FortiGate-5020/5050 power supplies.

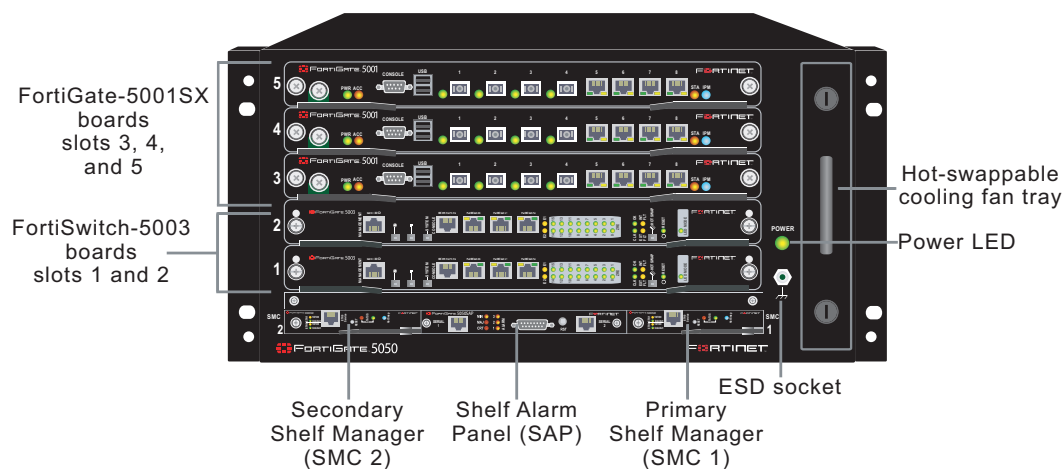
This chapter describes the FortiGate-5050 chassis and includes the following sections:

- [FortiGate-5050 front panel](#)
- [FortiGate-5050 back panel](#)
- [Physical description of the FortiGate-5050 chassis](#)
- [FortiGate-5050 shelf managers](#)
- [FortiGate-5050 shelf alarm panel](#)
- [Shelf manager command line interface \(CLI\)](#)

FortiGate-5050 front panel

Figure 1 shows the front of a FortiGate-5050 chassis. Two FortiSwitch-5003 boards are installed in slots 1 and 2. Three FortiGate-5001SX boards are installed in slots 3, 4, and 5. The FortiGate-5050 primary and secondary Shelf Managers and the Shelf Alarm Panel (SAP) are also visible. The factory installed shelf alarm panel displays alarms, provides a telco alarm interface, and also provides serial connections to the shelf managers. The factory installed shelf managers provide power distribution, cooling, alarms, and shelf status for the FortiGate-5050 chassis. For more information about these components, see "FortiGate-5050 shelf alarm panel" on page 9 and "FortiGate-5050 shelf managers" on page 8.

Figure 1: FortiGate-5050 front panel with FortiGate-5001SX and FortiSwitch-5003 boards installed



Also visible on the front of the FortiGate-5050:

- The location of the hot swappable FortiGate-5050 cooling fan tray behind panel.
- Power LED.
- ESD socket, used for connecting an ESD wrist or ankle band when working with the chassis.



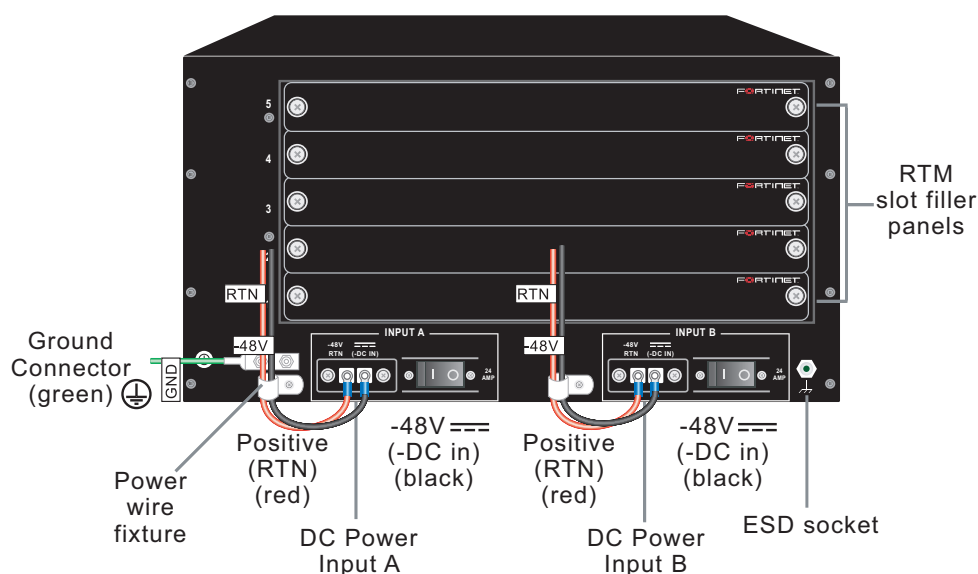
Caution: Do not operate the FortiGate-5050 chassis with open slots on the front panel. For optimum cooling performance and safety, the slots must contain a FortiGate-5000 series board or an air baffle slot filler. As well the removable power supply panel must be installed over the power connectors on the back of the chassis.

FortiGate-5050 back panel

Figure 2 shows the back of a FortiGate-5050 chassis. The FortiGate-5050 chassis back panel includes two redundant -48V to -58V DC power input connectors labelled Input A and Input B. The power input connectors provide redundant DC power connections for the FortiGate-5050 chassis and distribute DC power to the fan tray and the FortiGate-5000 series boards installed in the FortiGate-5050 chassis. Each power input connector includes a 24 Amp circuit breaker that also functions as an on/off switch for the power input connector.

If you require redundant power you should connect both power input connectors to DC power. If redundant power is not required, you should connect power input connector A to DC power. When operating, the power input connectors are covered with clear protection plates.

Figure 2: FortiGate-5050 chassis back panel



The back panel includes the FortiGate-5050 chassis ground connector which must be connected to Data Center ground. Use the power wire fixtures for securing and managing DC power wires. The FortiGate-5050 chassis also includes an ESD socket on the back panel.

For detailed information about connecting power to the FortiGate-5050 chassis, see [“Connecting the FortiGate-5050 chassis to data center DC power and data center ground”](#) on page 15 or [“Connecting the FortiGate-5050 chassis to AC power using the FortiGate-5053 power converter tray”](#) on page 17.

The back panel also contains 5 RTM slots numbered to correspond to the front panel slots. The RTM slots are available for FortiGate-5000 RTM modules such as the FortiGate-RTM-XB2 module. When the FortiGate-5050 chassis is shipped, these slots are covered by RTM slot filler panels.

Physical description of the FortiGate-5050 chassis

The FortiGate-5050 chassis is a 5U chassis that can be installed in a standard 19-inch rack. [Table 1](#) describes the physical characteristics of the FortiGate-5050 chassis.

Table 1: FortiGate-5050 chassis physical description

Dimensions	8.75 x 17 x 15.5 in. (13.3 x 43.2 x 39.4 cm) (H x W x D)
Shipping weight completely assembled with packaging	26.75 lb. (12.1 kg)
Operating environment	Temperature: 32 to 104°F (0 to 45°C)
	Relative humidity: 5 to 85% (Non-condensing)
Storage environment	Temperature: -13 to 158 °F (-25 to 70°C)
	Relative humidity: 5 to 95% (Non-condensing)
Power consumption	Maximum: 1,135 W
Power input	2x redundant -48VDC to -58VDC

FortiGate-5050 shelf managers

The FortiGate-5050 chassis includes one or two redundant hot-swappable shelf managers, located in the dedicated shelf manager slots on the bottom of the FortiGate-5050 front panel. The primary shelf manager is installed on the right (SMC 1) the secondary shelf manager is installed on the left (SMC 2).

The shelf managers support redundant operation with automatic switchover. If both shelf managers are operating normally, one acts as the active shelf manager and the other as the standby. Usually the primary shelf manager would be the active shelf manager and the secondary shelf manager would be the standby shelf manager. The shelf managers monitor each other and either can trigger a switchover if necessary. The active shelf manager performs all shelf manager functions. If the active shelf manager fails or is removed, the standby shelf manager takes over all shelf manager functions.

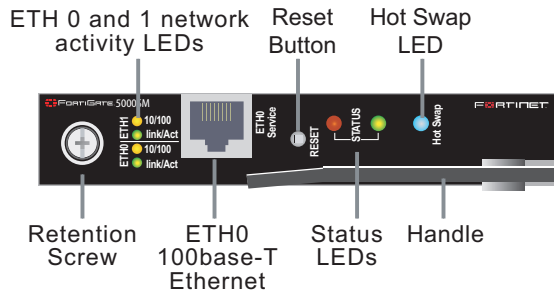
The FortiGate-5050 shelf managers control chassis power up and power down, chassis power distribution, monitor chassis operating parameters, monitor and control chassis cooling, and can signal alarms if the chassis encounters problems. All FortiGate-5000 modules installed in the chassis communicate with the shelf managers.

The FortiGate-5050 shelf managers are factory installed. In most cases users do not have to install or configure the shelf managers.

Each shelf manager has two ethernet interfaces (ETH 0 and ETH 1). You can connect to ETH 0 from the shelf manager front panel. ETH 1 connects to the FortiGate-5050 backplane.

The shelf managers detect alarm conditions and communicate alarm signals to the FortiGate-5050 shelf alarm panel. The shelf alarm panel also contains serial interfaces for connecting to the shelf managers.

The shelf managers are hot swappable. You can remove a shelf manager by opening the extraction lever until the hot swap LED starts blinking. When the hot swap LED turns solid blue you can remove the shelf manager from the FortiGate-5050 chassis.

Figure 3: FortiGate-5050 shelf manager front panel**Table 2: FortiGate-5050 shelf manager LEDs**

LED	State	Description	
ETH 0 ETH 1	10/100	Yellow	The Ethernet interface is connected at 100 Mbps.
	link/Act	Green	Blinking LED indicates network traffic.
		Off	No link.
STATUS	Green	This shelf manager is operating normally as the active shelf manager. Usually the primary shelf manager operates as the active shelf manager.	
	Red	This shelf manager is operating normally as the backup shelf manager. Usually the secondary shelf manager operates as the standby shelf manager.	
HOT SWAP	Off	The shelf manager is not ready to be removed.	
	Blue	The shelf manager is ready to be removed.	
	Long blink	The shelf manager is starting up after being inserted into the chassis.	
	Short blink	The shelf manager is shutting down in preparation for being removed from the chassis.	

Shelf Manager fan and power control

The FortiGate-5050 shelf managers monitor the internal temperature of the FortiGate-5050 chassis and adjust the operating speed of the FortiGate-5050 chassis cooling fan as required. If the temperature in the chassis becomes too high, the shelf managers can also power down FortiGate-5000 modules installed in the chassis to help reduce the temperature.

When the chassis is first powered on all cooling fans run at full speed. Once the shelf manager is up and running, the shelf manager reduces cooling fan speeds to maintain an optimum temperature in the chassis. If shelf managers are not installed or not operating correctly the FortiGate-5050 chassis cooling fans always operate at full speed.

FortiGate-5050 shelf alarm panel

The FortiGate-5050 shelf alarm panel (SAP), located at the bottom of the FortiGate-5050 front panel, provides LED indicators of FortiGate-5050 alarms, a telco alarm connector, an alarm LED reset button, and console access to the FortiGate-5050 shelf managers. The LED alarm indicators include critical, major, and minor alarms as well as three user defined alarms.

The alarm LED reset button (RESET) on the shelf alarm panel activates the Alarm Cutoff (ACO) state. When ACO is activated, the active alarm LEDs blink and all of the alarm relays are deactivated.

Figure 4: FortiGate-5050 shelf alarm panel front panel

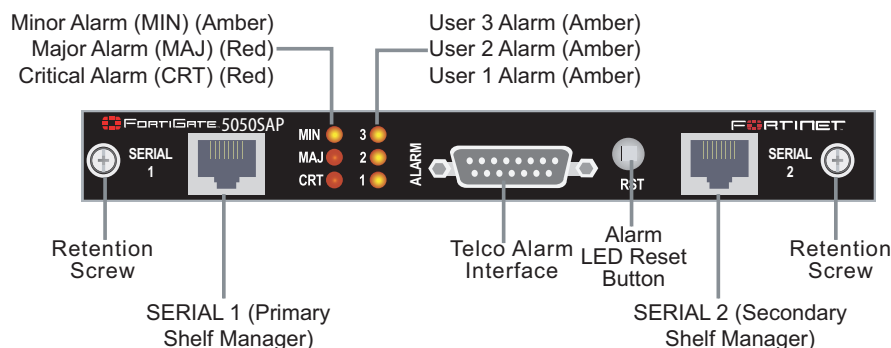


Table 3: FortiGate-5050 shelf alarm panel LEDs

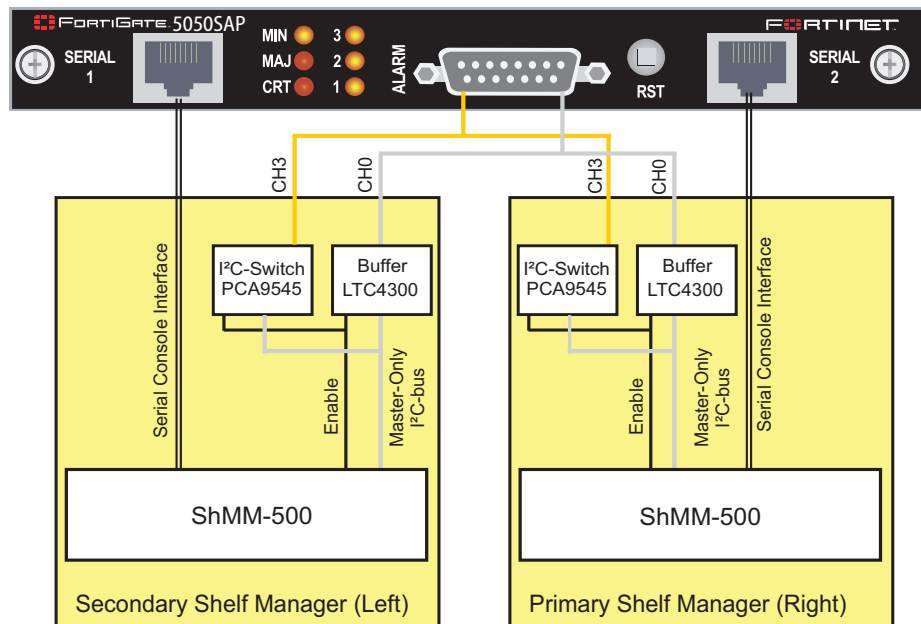
LED	State	Description
CRT (critical)	Off	Normal operation.
	Red	Indicates a critical alarm.
	Blinking Red	Alarm cutoff (ACO) activated by pressing the alarm LED reset button.
MAJ (major)	Off	Normal operation.
	Red	Indicates a major alarm.
	Blinking Red	Alarm cutoff (ACO) activated by pressing the alarm LED reset button.
MIN (minor)	Off	Normal operation.
	Amber	Indicates a minor alarm.
	Blinking Amber	Alarm cutoff (ACO) activated by pressing the alarm LED reset button.
USER3 USER2 USER1	Off	Normal operation
	Amber	Indicates a user-definable alarm.
	Blinking Amber	Alarm cutoff (ACO) activated by pressing the alarm LED reset button.

Table 4: FortiGate-5050 shelf alarm panel connectors

Connector	Type	Speed	Protocol	Description
SERIAL 1	RJ-45	9600 bps, 8/N/1	RS-232 serial	Serial connection to the primary shelf manager command line interface.
SERIAL 2	RJ-45	9600 bps, 8/N/1	RS-232 serial	Serial connection to the secondary shelf manager command line interface.
ALARM	micro DB-15 male	N/A	Telco Form-c	The external dry relay Telco alarm interface (48VDC) provides Telco form-c relay connections for minor, major and critical power faults. The cable required to connect to the alarm interface is not supplied by Fortinet.

Figure 5 shows the connections between the primary and secondary shelf managers and the shelf alarm panel.

Figure 5: Connections between the shelf managers and the shelf alarm panel



Shelf alarm panel telco alarms

The shelf alarm panel telco alarm interface relay circuits are capable of carrying 60 VDC or 1 A with a max. rating of 30 VA. The shelf alarm panel accepts timed pulse inputs for clearing minor and major alarm states. Reset is accomplished by asserting a voltage differential from 3.3 V to 48 V for between 200 and 300 ms. The acceptance voltage range is from 0 to 48 VDC continuous (handles up to 60 VDC at a 50% duty cycle). The current drawn by a reset input does not exceed 12 mA.

The alarm LED reset button activates the alarm cutoff (ACO) state for major, minor, and user-defined alarms. You cannot reset critical alarms with the alarm LED reset button.

When the ACO state is activated, active alarm LEDs blink and all of the alarm relays are deactivated. The alarm reset button activates the ACO state but does not clear the alarm completely.

Figure 6: The telco alarm connector (DB-15 male)

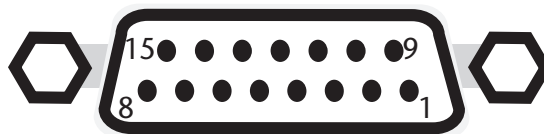


Table 5: Telco alarm connector pin assignment

Pin	Name	Description
1	AMIR+	MinorReset+
2	AMIR-	MinorReset-
3	AMAR+	MajorReset+
4	AMAR-	MajorReset-
5	ACNO	CriticalAlarm - NO
6	ACNC	CriticalAlarm - NC
7	ACCOM	CriticalAlarm - COM
8	AMINO	MinorAlarm -NO
9	AMINC	MinorAlarm - NC
10	AMINCOM	MinorAlarm - COM
11	AMANO	MajorAlarm - NO
12	AMANC	MajorAlarm - NC
13	AMACOM	MajorAlarm - COM
14	APRCO	PwrAlarm - NO
15	APRCOM	PwrAlarm - COM
Shield	Shelf-GND	Shelf Ground

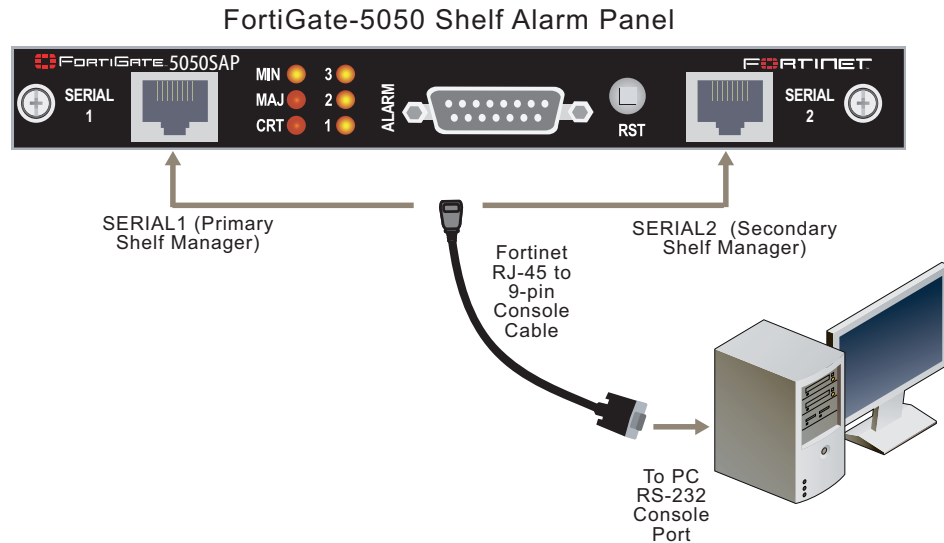
Shelf manager command line interface (CLI)

You can use the shelf manager CLI to communicate with the intelligent management controllers of the chassis, with boards in the chassis, and with the shelf manager itself. The CLI is an IPMI-based set of commands that can be accessed directly or through a higher-level management application or a script. Using the CLI, you can access information about the current state of the chassis including current board population, current sensor values, threshold settings, recent events, and overall chassis health.

Connecting to the shelf manager CLI using a serial port

You can connect to the shelf manager CLI by connecting the console cable supplied with your chassis to a management PC console port and to the appropriate shelf alarm panel serial port. To connect to the primary shelf manager use Serial 1. To connect to the secondary shelf manager use Serial 2.

Figure 7: Connecting to a shelf manager serial port



To connect to the shelf manager CLI using a shelf alarm panel serial port

- 1 Connect the Fortinet console cable to the shelf alarm panel Serial 1 or Serial 2 port (see Figure 7).
- 2 Connect the Fortinet console cable to your PC or other device RS-232 console port.
- 3 Start a terminal emulation program (for example, HyperTerminal) on the management computer. Use these settings:

Baud Rate (bps)	9600
Data bits	8
Parity	None
Stop bits	1
Flow Control	None

- 4 Press enter to connect to the CLI.
- 5 At the `login` prompt enter the shelf manager user name and password.
The default user name is `root` with no password.
When you log into the shelf manager CLI you are logging into a Linux shell as `root`. You can begin entering commands at the `#` prompt:
#

To add or change the shelf manager root account password

For enhanced security you should use the following steps to add a password for the shelf manager root account.

- 1 At the `#` prompt enter the following Linux command to add a password for the root account:
`passwd`

2 Enter and confirm a new password for the root account.

The password should be between 5 and 8 characters long and should include a combination of upper and lower case letters and numbers.

You can use the `passwd` command to change the root account password at any time.

You can also use the `passwd` command to remove the root account. Enter the `passwd` command and when prompted for a password, press enter to add a blank password.

To use the shelf manager command line interface agent (CLIA)

Once you have logged into the shelf manager CLI you use the Command Line Interface Agent (CLIA) to enter shelf manager commands. Usually you do this from the Linux command line by entering `clia` followed by the required CLIA command verb and parameters. The CLIA executable connects to the main Shelf Manager software process, passes the command information to it and retrieves the results.

For example, you can enter the following command to list the most commonly used CLIA commands:

```
clia help
```

You can also use the `help` command to get more information about specific CLIA commands. For example, use the following command to display help for the `shelf pwrreorder` command:

```
clia help shelf pwrreorder
```

```
Pigeon Point Shelf Manager Command Line Interpreter
```

```
Change the order of FRU Activation and Power Descriptors  
instead of <addr> <fru_id> user may use:
```

```
board <N>  
shm <N>  
power_supply <N> (valid in 2.x systems only)  
fan_tray <N>  
PwrReorder <addr1> <fru_id1> before/after <addr2> <fru_id2>
```

Power connection and configuration

This chapter describes how to connect data center DC power to a FortiGate-5050 chassis. If data center DC power is not available, this document also describes how to use the FortiGate-5053 power converter tray to supply DC power to the FortiGate-5050 chassis.

This chapter describes:

- [About data center DC power](#)
- [Connecting the FortiGate-5050 chassis to data center DC power and data center ground](#)
- [Connecting the FortiGate-5050 chassis to AC power using the FortiGate-5053 power converter tray](#)
- [Turning on FortiGate-5050 chassis power](#)

About data center DC power

The FortiGate-5050 chassis is designed to be installed in a data center or similar location that has available -48VDC power (also called battery power). Fortinet expects that most FortiGate-5050 customers will be installing their FortiGate equipment in a data center or similar location that is already equipped with a -48VDC power system that provides power to existing networking or telecom equipment. The FortiGate-5050 chassis are designed to be connected directly to this DC power system.

In this document, **data center DC power** refers to a -48VDC power system that is already available at the location at which the FortiGate-5050 chassis is being installed.

Connecting the FortiGate-5050 chassis to data center DC power and data center ground

Connect the FortiGate-5050 chassis to data center DC power using the redundant power input connectors on the FortiGate-5050 back panel. Fortinet supplies and recommends AWG-14 stranded wires for all power connections: Black for -48VDC and red for RTN. Green AWG-6 wires are recommended for ground connections. If required, install terminal lugs on the wires before connecting them to the power input connectors.

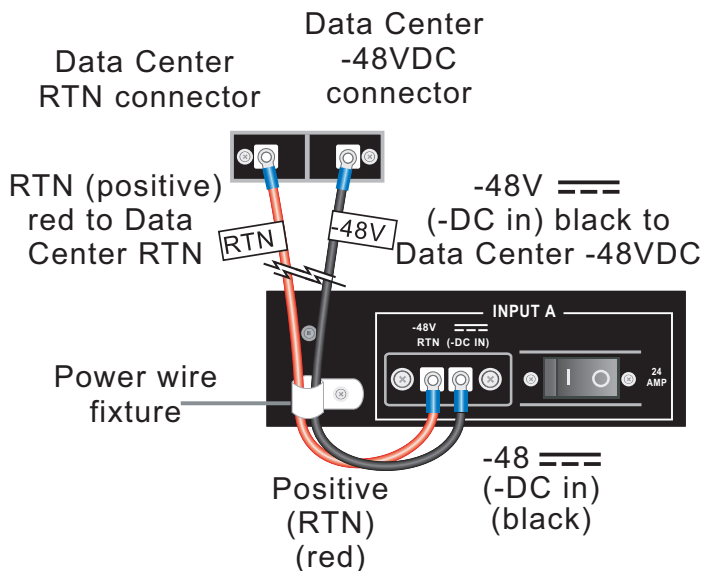
This section describes:

- [Connecting a FortiGate-5050 power input connector to data center DC power](#)
- [Connecting the FortiGate-5050 chassis to data center ground](#)

Connecting a FortiGate-5050 power input connector to data center DC power

The following procedure describes how to connect one FortiGate-5050 power input connector to data center DC power. For normal operation, only power input connector A must be connected. For redundant DC power you can connect power input connector B to a different DC power source.

Figure 8: Connecting a FortiGate-5050 power input connector to data center DC power



To connect a FortiGate-5050 power input connector to data center DC power

You need the following tools and equipment to connect a FortiGate-5050 power input connector to data center DC power:

- A number 2 Phillips screwdriver.
- An electrostatic discharge (ESD) preventive wrist or ankle strap with connection cord.
- One black AWG-14 stranded wire with terminal lugs attached and labelled -48V.
- One red AWG-14 stranded wire with terminal lugs attached and labelled RTN.

- 1 Attach the ESD wrist strap to your wrist and to an ESD socket or to a bare metal surface on the chassis or frame.
- 2 Loosen the screws and remove the protection plate.
- 3 Insert the black -48V and red RTN wires through the power wire fixture (see [Figure 8](#)).
- 4 Connect the black -48V power wire from the data center DC power source to the terminal on the FortiGate-5050 power input connector labelled (-DC in).
- 5 Connect the red RTN return wire from data center RTN to the terminal on the FortiGate-5050 power input connector labelled RTN.
- 6 Make sure the power wires are secured to the chassis using the power wire fixture and tie wraps if required.
- 7 If required, label the black wire -48V.
- 8 If required, label the red wire RTN.
- 9 Re-attach the protection plate to the FortiGate-5050 power input connector.

Connecting the FortiGate-5050 chassis to data center ground

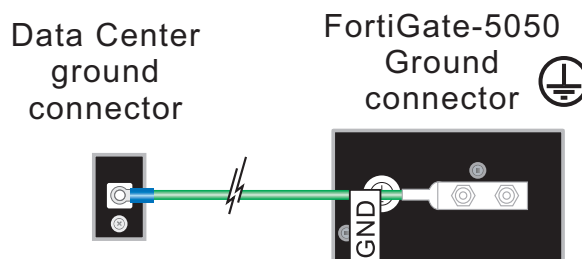
The FortiGate-5050 chassis has a ground connections on the lower left side of the FortiGate-5050 back panel (see [Figure 2 on page 7](#)). This connector must be connected to data center ground.

To connect the FortiGate-5050 chassis to data center ground

You need the following tools and equipment to connect the FortiGate-5050 chassis to ground:

- A number 2 Phillips screwdriver.
- An electrostatic discharge (ESD) preventive wrist or ankle strap with connection cord.
- One green AWG-6 stranded wire with terminal lugs attached.

Figure 9: Connecting a FortiGate-5050 chassis to data center ground



- 1 Attach the ESD wrist strap to your wrist and to an ESD socket or to a bare metal surface on the chassis or frame.
- 2 Connect the green ground wire from the data center ground to the ground connector on the FortiGate-5050 chassis (see [Figure 9](#)).
- 3 Secure the ground wire to the chassis.
- 4 Optionally label the wire GND.

Connecting the FortiGate-5050 chassis to AC power using the FortiGate-5053 power converter tray

If data center DC power is not available, you can use the FortiGate-5053 power converter tray with FortiGate-5020/5050 power supplies (shown in [Figure 10](#)) to convert AC power to DC power. The FortiGate-5053 power converter tray and the power supplies are not supplied with the FortiGate-5050 chassis and must be purchased separately. (FortiGate-5020/5050 power supplies are also used to provide power to a FortiGate-5020 chassis.)

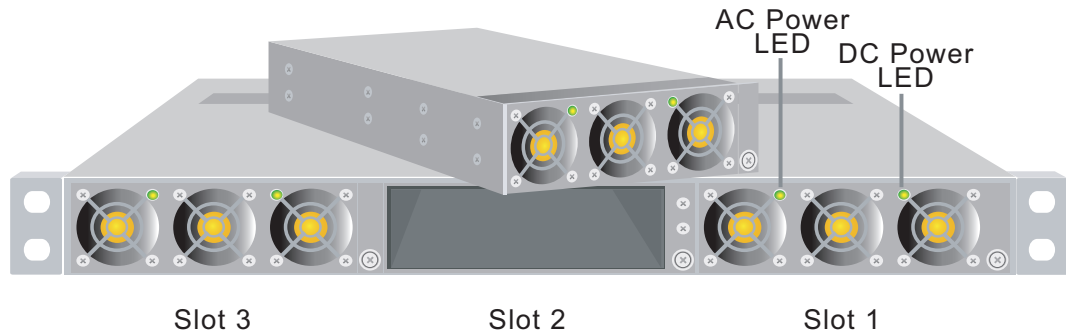
This section contains the following information about the FortiGate-5050 chassis and the FortiGate-5053 power converter tray:

- [FortiGate-5053 power converter tray front and back panel](#)
- [Selecting the power supplies and power converter trays that you need for your FortiGate-5050 configuration](#)
- [Connecting a FortiGate-5050 chassis to the FortiGate-5053 power converter tray](#)

FortiGate-5053 power converter tray front and back panel

The front panel of the FortiGate-5053 power converter tray (shown in Figure 10) provides access to the FortiGate-5020/5050 power supplies.

Figure 10: Front panel of the FortiGate-5053 power converter tray with one power supply removed



The LEDs for each installed power supply are visible from the FortiGate-5053 power converter tray front panel.

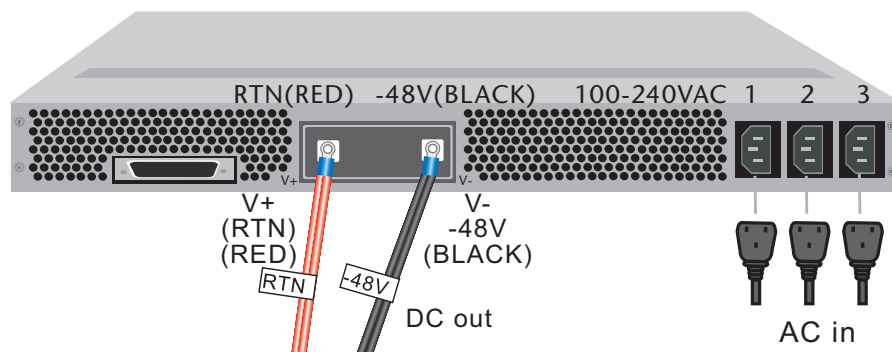
Table 6: FortiGate-5020/5050 power supply LEDs

LED	State	Description
AC Power	Green	The power supply is connected to AC power.
	Off	The power supply is not receiving DC power. This can happen if an AC cable is not connected, if the power supply is not correctly installed in the slot, or if the power supply is not functioning.
DC Power	Green	The power supply is providing DC power.
	Off	The power supply is not providing DC power. If the AC power LED is lit and the DC power LED is not, the power supply is not functioning correctly and should be replaced. This LED can also go off if the power supply overheats. If this happens the power supply stops supplying DC power. After the power supply cools down in will start supplying DC power again and this LED lights.

The back panel of the FortiGate-5053 (shown in Figure 11) includes one DC power connector terminal consisting of a RTN connector and a -48VDC connector.

- The -48VDC connector is labelled V- and may also be labelled with -48V (BLACK).
- The RTN connector is labelled V+ and may also be labelled RTN (RED)

Figure 11: Back panel of the FortiGate-5053 power converter tray



The back panel also includes three AC power connectors numbered 1, 2, 3. The AC connector numbering corresponds to the slot numbering showing in [Figure 10](#). Each connector connects AC power directly to a FortiGate-5020/5050 power supply. The FortiGate-5053 can contain 1, 2, or 3 FortiGate-5020/5050 power supplies depending on your requirements. You should only connect AC power to the power supplies that are installed.

AC input power characteristics:

- AC input voltage: 110 to 250 VAC
- AC input current: 10A
- Frequency: 47 to 63 Hz

Selecting the power supplies and power converter trays that you need for your FortiGate-5050 configuration

This section provides some basic information for determining how many FortiGate-5053 power converter trays and FortiGate-5020/5050 power supplies that you need, depending on the power requirements of your FortiGate-5050 chassis. This section provides guidelines only. Actual requirements may vary depending on your installation requirements. Contact Fortinet Technical Support if you need more information.

The FortiGate-5053 power converter tray contains space for up to three FortiGate-5020/5050 power supplies. A FortiGate-5020/5050 power supply converts AC power to -48 VDC power. Each FortiGate-5020/5050 power supply provides 800W of power.

The FortiGate-5053 power converter tray uses 2 + 1 power supply redundancy. If three FortiGate-5020/5050 power supplies are installed in a FortiGate-5053 power converter tray, the first two power supplies provide a total of 1600W (2 x 800W) of power. The third power supply is the redundant backup.

The maximum power output for a FortiGate-5053 power converter tray with FortiGate-5020/5050 power supplies is 1600W; which can be achieved with two FortiGate-5020/5050 power supplies. If you need 1600W of power and power supply redundancy, you can add a third FortiGate-5020/5050 power supply.

Individual power requirements vary. If 800W is enough power and redundancy is not required, you need one FortiGate-5053 power converter tray and one FortiGate-5020/5050 power supply.

If 800W is sufficient but a redundant power supply is required, you can add a second FortiGate-5020/5050 power supply. This second power supply will also cover power requirements between 800 and 1600W. If you require redundant power greater than 800W you can add a third FortiGate-5020/5050 power supply.

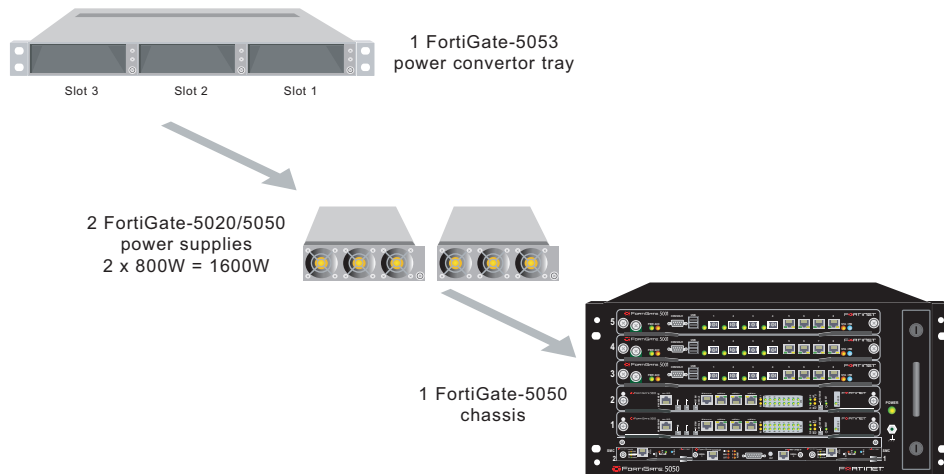
Basic power requirements

To supply enough power for a FortiGate-5050 chassis with a total of five FortiGate modules and FortiSwitch modules you require one FortiGate-5053 power converter tray and two FortiGate-5020/5050 power supplies (see [Figure 12](#)). The FortiGate-5020/5050 power supplies are installed in FortiGate-5053 slots 1 and 2. This configuration supplies 1600W of power to the FortiGate-5020/5050 chassis.



Note: If you will not be filling all of the FortiGate-5050 slots you may not need both FortiGate-5020/5050 power supplies.

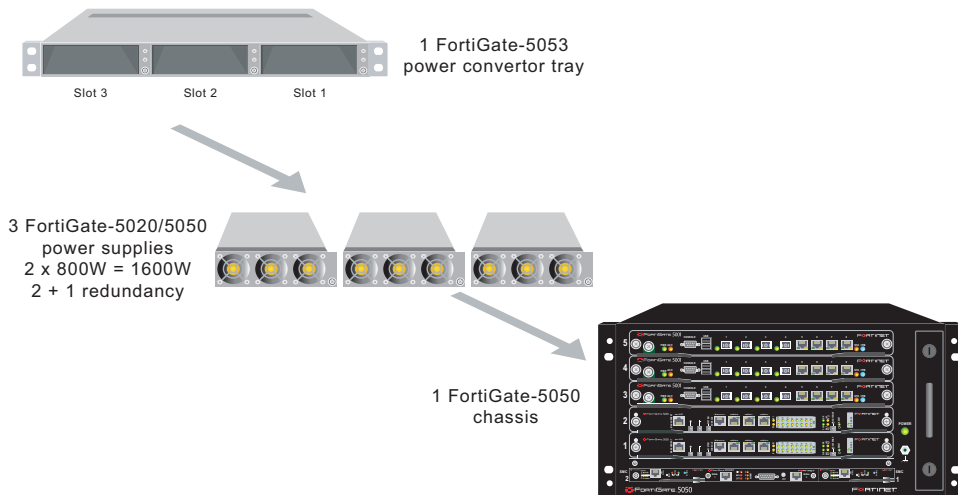
Figure 12: Non-redundant power for all FortiGate-5050 chassis slots



Redundant FortiGate-5050 power supplies

You can supply redundant power to a FortiGate-5050 chassis by adding a third FortiGate-5020/5050 power supply to the FortiGate-5053 power converter tray (see Figure 13). If one of the FortiGate-5020/5050 power supplies in the FortiGate-5053 power converter tray fails, the third power supply takes its place without a power interruption.

Figure 13: 2 + 1 redundant FortiGate-5020/5050 power supplies



Redundant FortiGate-5053 power converter trays

A single FortiGate-5053 power converter tray is usually only connected to one FortiGate-5050 power input connector. If this power input connector or FortiGate-5053 power converter tray fails or is disconnected the FortiGate-5050 chassis will lose power. You can supply redundant power to the entire FortiGate-5050 chassis by adding a second FortiGate-5053 power converter containing two or three FortiGate-5020/5050 power supplies and connected this FortiGate-5053 power converter tray to the second FortiGate-5050 power input connector.

Figure 14: Redundant FortiGate-5053 power converter trays

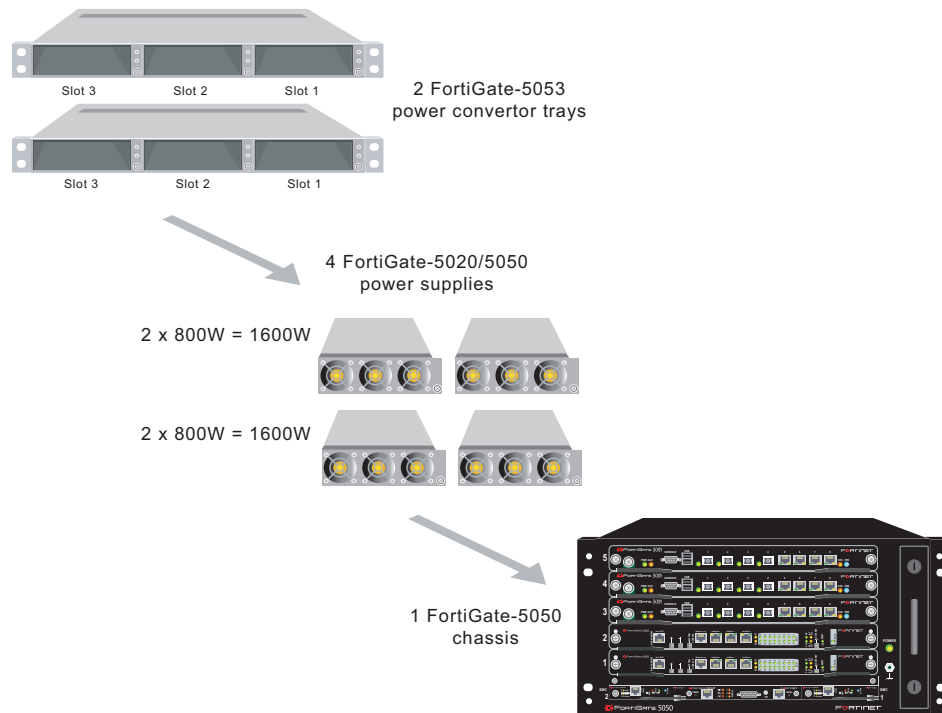
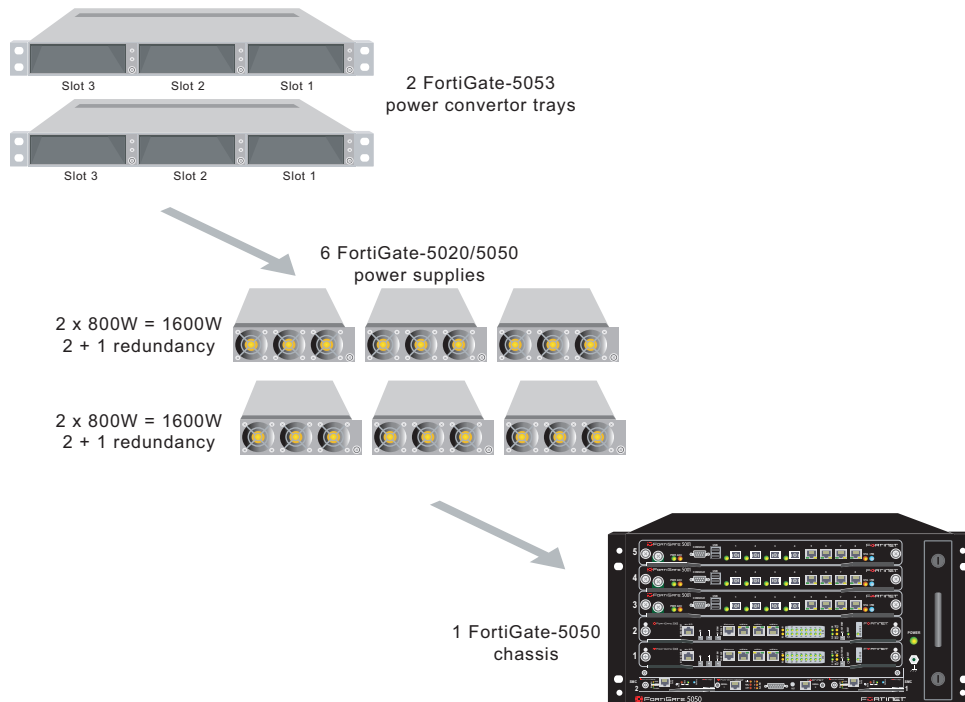


Figure 15: Redundant FortiGate-5053 power converter trays and 2 + 1 redundant FortiGate-5020/5050 power supplies



Connecting a FortiGate-5050 chassis to the FortiGate-5053 power converter tray

To use a FortiGate-5053 power converter tray with the FortiGate-5050 chassis you need to make DC power connections between the FortiGate-5050 chassis and the FortiGate-5053 power converter tray. You also need to connect the FortiGate-5050 chassis to data center ground.

To connect a FortiGate-5050 power input connector to a FortiGate-5053 power converter tray

The following procedure describes how to connect one FortiGate-5050 power input connector to a FortiGate-5053 power converter tray. For normal operation, only one power input connector must be connected. For redundant chassis DC power you can connect the second power input connector to a second FortiGate-5053 power converter tray.

You need the following tools and equipment to connect a FortiGate-5020/5050 power input connector to a FortiGate-5053 power converter tray:

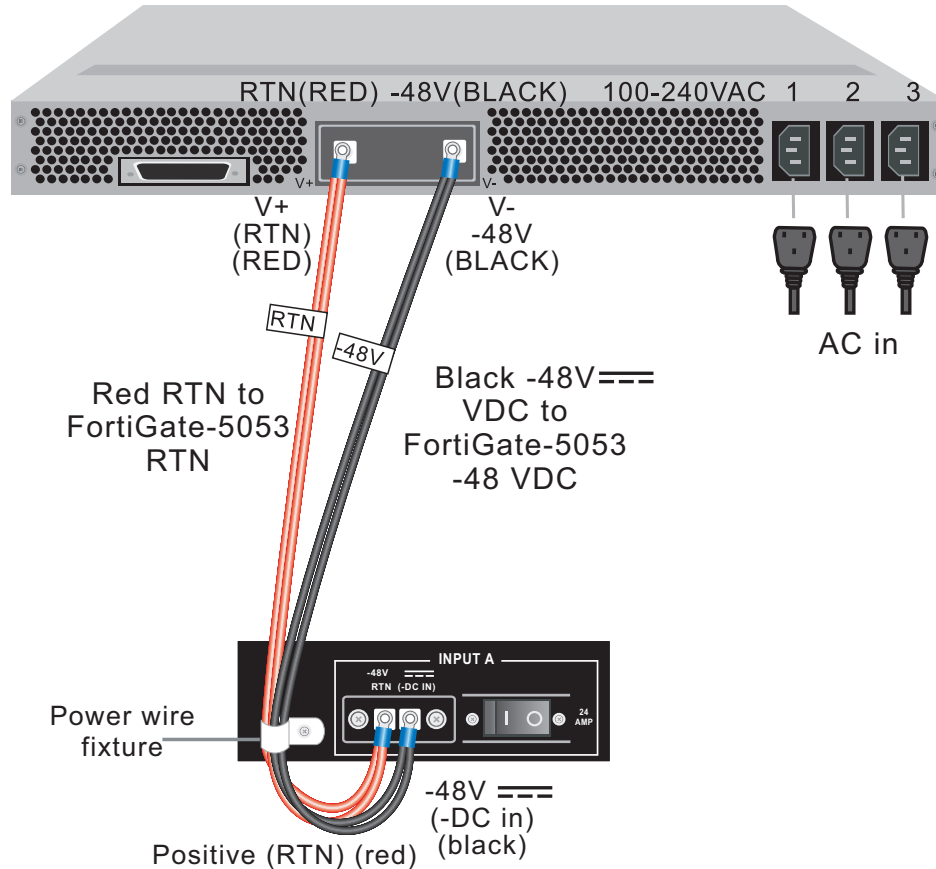
- A number 2 Phillips screwdriver.
- An electrostatic discharge (ESD) preventive wrist or ankle strap with connection cord.
- One black AWG-14 stranded wire with terminal lugs attached and labelled -48V.
- One red AWG-14 stranded wire with terminal lugs attached and labelled RTN.
- A FortiGate-5053 power converter tray containing two or three FortiGate-5020/5050 power supplies and mounted in a rack near the FortiGate-5050 chassis.



Caution: The FortiGate-5053 power converter tray should not be connected to AC power until specified in the following procedure.

- 1** Attach the ESD wrist strap to your wrist and to an ESD socket or to a bare metal surface on the chassis or frame.
- 2** Loosen the screws and remove the protection plate from the FortiGate-5050 power input connector.
- 3** If required, loosen the screws and remove the clear plastic cover from the back of the FortiGate-5053 power converter tray.
- 4** Insert the black -48V and red RTN wires through the power wire fixture (see [Figure 16](#)).
- 5** Connect the black -48V power wire from the FortiGate-5053 power converter tray V-terminal (the right connector) to the terminal on the FortiGate-5050 power input connector labelled (-DC in).
- 6** Connect the red RTN return wire from the FortiGate-5053 power converter tray unmarked connector (the left connector) to the terminal on the FortiGate-5050 power input connector labelled RTN.

Figure 16: Connecting a FortiGate-5050 power input connector to a FortiGate-5053 power converter tray

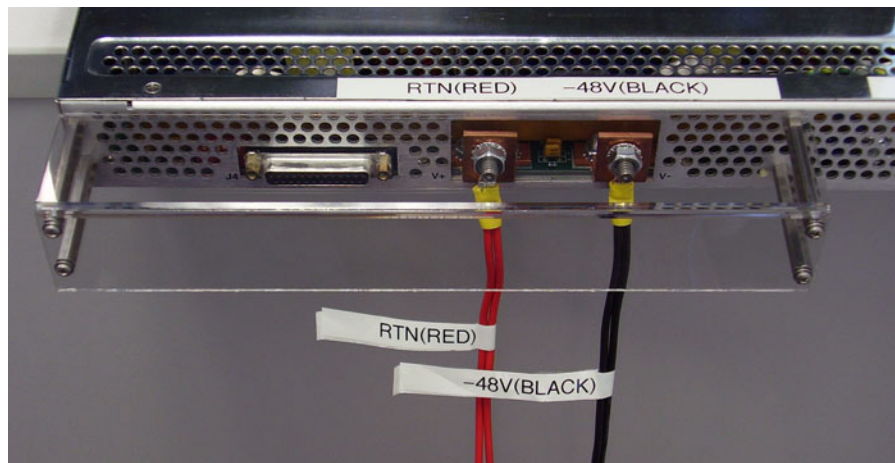


- 7 Make sure the power wires are secured to the chassis using the power wire fixture and tie wraps if required.
- 8 If required, label the black wires -48V.
- 9 If required, label the red wires RTN.
- 10 Re-attach the protection plate to the FortiGate-5050 power input connector.
- 11 Attach the clear plastic cover to the back of the FortiGate-5053 power converter tray.
- 12 Connect the FortiGate-5053 power converter tray to AC power.

Only connect the power supplies that are installed in the FortiGate-5053 to AC power. For example, if your FortiGate-5053 includes two FortiGate-5020/5050 power supplies, the power supplies will be installed in slots 1 and 2. In this case you should only connect AC in connectors 1 and 2 to AC power. If your FortiGate-5053 power converter tray contains three power supplies, connect all three AC in connectors to AC power.

The photograph in [Figure 17](#) shows the back panel of a FortiGate-5053 wired to provide power to a FortiGate-5050 chassis. This photograph also shows the clear back cover of the FortiGate-5053 installed. You should install this cover using the mounting hardware provided. Install the cover after connecting the power but before turning the power on.

Figure 17: Wiring the FortiGate-5053 power converter tray



To connect the FortiGate-5050 chassis to data center ground

The FortiGate-5053 power converter tray does not have a ground connector. So, even if you are using a FortiGate-5053 power converter tray to supply DC power to your FortiGate-5050, you must use the procedure [“To connect the FortiGate-5050 chassis to data center ground” on page 17](#) to connect the FortiGate-5050 to data center ground.

Turning on FortiGate-5050 chassis power

If you are using a FortiGate-5053 power converter, connect the FortiGate-5053 power converter to AC power. When the FortiGate-5020/5050 power supplies start up the power supply fans should begin operating. Each FortiGate-5020/5050 power supply has two front panel power LEDs (see [Figure 10 on page 18](#)). When the FortiGate-5053 power converter is operating normally, both of the FortiGate-5020/5050 power supply LEDs should be lit for each connected power supply.

If you are using data center DC power, turn on the power to the chassis according to the requirements of your data center DC power system.

Once the FortiGate-5050 chassis is connected to DC power you can turn on power to the chassis by switching on the circuit breakers at the back of the chassis (see [Figure 2 on page 7](#) for location of the circuit breakers).

The FortiGate-5050 chassis powers up. If the FortiGate-5050 is operating correctly, the Power LED on the right side of the chassis front panel should be lit (see [Figure 1 on page 6](#)). As well, the Status LED on the FortiGate-5050 shelf manager front panels should be lit (see [Figure 3 on page 9](#)). None of the LEDs on the shelf alarm panel (SAP) should be lit (see [Figure 4 on page 10](#)).

When the chassis first starts up you should also hear the cooling fans operating.

In addition, if any FortiGate-5000 series modules have been installed in the chassis they should power on and their front panel LEDs should indicate that they are operating normally.

FortiGate-5050 hardware procedures

This chapter assumes the chassis has been mounted and connected to a power source as detailed in “[Power connection and configuration](#)” on page 15.

This chapter discusses:

- [Mounting the FortiGate-5050 chassis](#)
- [Inserting 5000 series modules into a FortiGate-5050 chassis](#)
- [Using FortiSwitch-5003A and FortiSwitch-5003 boards for backplane communication](#)

Mounting the FortiGate-5050 chassis



Note: Mount the FortiGate chassis before installing the FortiGate-5000 series modules.

The FortiGate-5050 chassis must be mounted in a standard 19-inch rack. The chassis requires 5U of vertical space in the rack.

If you install the FortiGate-5050 chassis in a closed or multi-unit rack assembly, the operating ambient temperature of the rack environment may be greater than room ambient temperature. Make sure the operating ambient temperature does not exceed the manufacturer's maximum rated ambient temperature.



Caution: The FortiGate-5050 chassis should not be operated as a free-standing appliance.



Caution: Install the FortiGate-5050 chassis at the lower positions in the rack to avoid making the rack top-heavy and potentially falling over.

Air flow

For rack installation, make sure that the amount of air flow required for safe operation of the FortiGate-5050 chassis is not compromised.

Inserting 5000 series modules into a FortiGate-5050 chassis

You can insert FortiGate and FortiSwitch-5000 boards into the FortiGate-5050 chassis. Arrange the boards in slots as required for your configuration. FortiGate-5000 series boards can be installed in any FortiGate-5050 slots. FortiSwitch boards can only be installed in switch slots 1 and 2.

Your FortiGate-5050 chassis may have been shipped with temporary slot filler panels that include a warning message to read the FortiGate-5000 documentation before installing your product. The temporary slot fillers must be removed and all slots filled; either with FortiGate-5000 series boards or with air baffle slot fillers. Air baffle slot fillers are similar to blank FortiGate-5000 boards and are required for proper cooling air flow.



Caution: FortiGate-5000 series and FortiSwitch-5000 series modules must be protected from static discharge and physical shock. Only handle or work with FortiGate-5000 series and FortiSwitch-5000 series modules at a static-free workstation. Always wear a grounded electrostatic discharge (ESD) preventive wrist or ankle strap when handling FortiGate-5000 series or FortiSwitch-5000 series modules.



Caution: Do not operate the FortiGate-5050 chassis with open slots on the front panel or rear panel. For optimum cooling performance and safety, front panel slots must contain a FortiGate-5000 series module or an air baffle slot filler and rear panel slots must either be covered or must contain a rear transition module or slot filler. As well the removable PEM terminal block covers must be installed over the power connectors on the back of the chassis.

See the following documents for information about installing and removing the following FortiGate-5000 series and FortiSwitch-5000 series modules:

FortiGate-5001A

- [FortiGate-5001A Security System Guide](#)

FortiGate-5005FA2:

- [FortiGate-5005FA2 Security System Guide](#)

FortiGate-5001SX:

- [FortiGate-5001SX Security System Guide](#)

FortiGate-5001FA2:

- [FortiGate-5001FA2 Security System Guide](#)

FortiSwitch-5003A

- [FortiSwitch-5003A System Guide](#)

FortiGate-RTM-XB2

- [FortiGate-RTM-XB2 System Guide](#)

FortiSwitch-5003

- [FortiSwitch-5003 System Guide](#)

Using FortiSwitch-5003A and FortiSwitch-5003 boards for backplane communication

FortiSwitch-5003A boards installed in a FortiGate-5050 chassis in slot 1 or slot 2 provide fabric backplane switching for all of the FortiGate-5000 series boards installed in chassis slots 3 and above. Fabric backplane switching is most often used for data communication between FortiGate-5000 series boards in a chassis, between chassis, and between the chassis and the network.

FortiSwitch-5003A and 5003 boards installed in a FortiGate-5050 chassis in slot 1 or slot 2 provide base backplane switching for all of the FortiGate-5000 series boards installed in chassis slots 3 and above. Base backplane switching is usually used for HA heartbeat communication between FortiGate-5000 series boards in HA clusters.

For complete information about using the FortiSwitch-5003A and 5003 for backplane communications (including the FortiSwitch-5003A CLI reference), see the [FortiSwitch-5003A and 5003 Fabric and Base Backplane Communication Guide](#).

For more information

Support for your Fortinet product is available as online help from within the web-based manager, from the Tools and Documentation CD included with the product, on the Fortinet Technical Documentation web site, from the Fortinet Knowledge Center web site, as well as from Fortinet Technical Support.

Fortinet documentation

The most up-to-date publications and previous releases of Fortinet product documentation are available from the Fortinet Technical Documentation web site at <http://docs.forticare.com>. FortiGate-5000 series documentation is located in its own section of the site at <http://docs.forticare.com/fgt5k.html>.

Fortinet Tools and Documentation CD

Fortinet documentation is available from the Fortinet Tools and Documentation CD shipped with your Fortinet product. The documents on this CD are current for your product at shipping time. For the latest versions of all Fortinet documentation see the Fortinet Technical Documentation web site at <http://docs.forticare.com>.

Fortinet Knowledge Center

Additional information about Fortinet products is available from the Fortinet Knowledge Center. The knowledge center contains troubleshooting and how-to articles, FAQs, technical notes, and more. Visit the Fortinet Knowledge Center at <http://kc.forticare.com>.

Comments on Fortinet technical documentation

Please send information about any errors or omissions in this document, or any Fortinet technical documentation, to techdoc@fortinet.com.

Customer service and technical support

Fortinet Technical Support provides services designed to make sure that your Fortinet systems install quickly, configure easily, and operate reliably in your network.

Please visit the Fortinet Technical Support web site at <http://support.fortinet.com> to learn about the technical support services that Fortinet provides.

Register your Fortinet product

Register your Fortinet product to receive Fortinet customer services such as product updates and technical support. You must also register your product for FortiGuard services such as FortiGuard Antivirus and Intrusion Prevention updates and for FortiGuard Web Filtering and AntiSpam.

Register your product by visiting <http://support.fortinet.com> and selecting Product Registration.

To register, enter your contact information and the serial numbers of the Fortinet products that you or your organization have purchased. You can register multiple Fortinet products in a single session without re-entering your contact information.

© Copyright 2009 Fortinet, Inc. All rights reserved. No part of this publication including text, examples, diagrams or illustrations may be reproduced, transmitted, or translated in any form or by any means, electronic, mechanical, manual, optical or otherwise, for any purpose, without prior written permission of Fortinet, Inc.

Trademarks

Fortinet, FortiGate and FortiGuard are registered trademarks and Dynamic Threat Prevention System (DTPS), APSecure, FortiASIC, FortiBIOS, FortiBridge, FortiClient, FortiGate, FortiGate Unified Threat Management System, FortiGuard-Antispam, FortiGuard-Antivirus, FortiGuard-Intrusion, FortiGuard-Web, FortiLog, FortiAnalyzer, FortiManager, FortiOS, FortiPartner, FortiProtect, FortiReporter, FortiResponse, FortiShield, and FortiVoIP, are trademarks of Fortinet, Inc. in the United States and/or other countries. The names of actual companies and products mentioned herein may be the trademarks of their respective owners.

Regulatory compliance

FCC Class A, Part 15

CE mark

VCCI

C-Tick

UL/CUL

Free Manuals Download Website

<http://myh66.com>

<http://usermanuals.us>

<http://www.somanuals.com>

<http://www.4manuals.cc>

<http://www.manual-lib.com>

<http://www.404manual.com>

<http://www.luxmanual.com>

<http://aubethermostatmanual.com>

Golf course search by state

<http://golfingnear.com>

Email search by domain

<http://emailbydomain.com>

Auto manuals search

<http://auto.somanuals.com>

TV manuals search

<http://tv.somanuals.com>