

Foster

Live the Quality

USER'S MANUAL FOR BUILT-IN OVEN

Multifunction S4000 PL, cod. 7134 043

Foster spa

via M.S. Ottone, 18/20

42041 Brescello (RE) - Italy

tel. +39.0522.687425 - tel. Servizio Assistenza +39.0522.684450

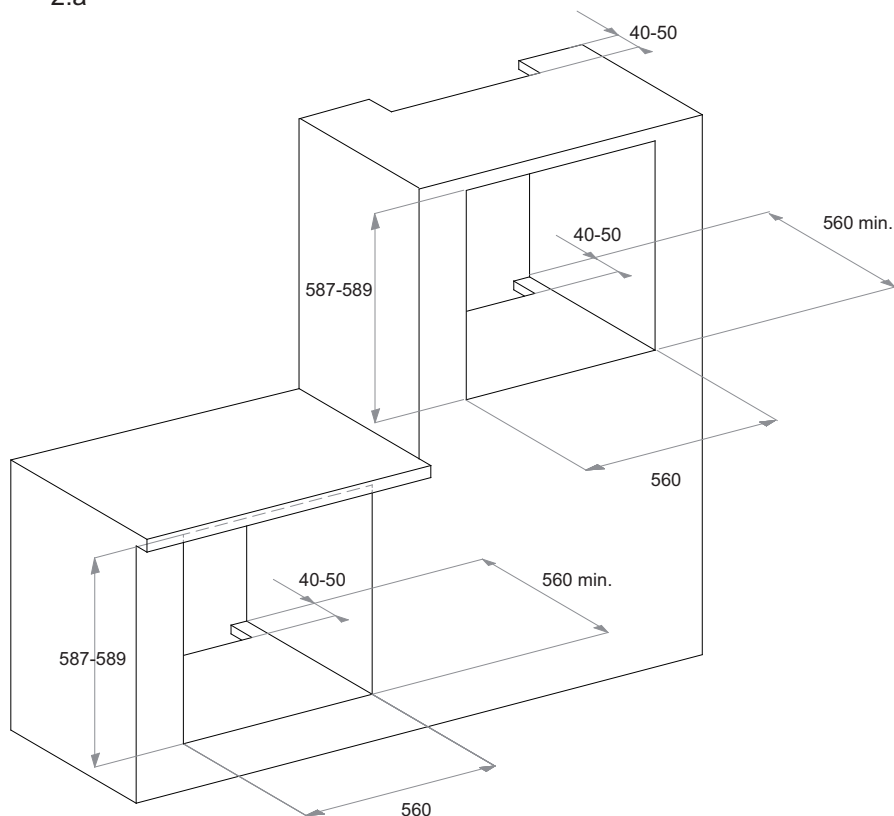
fax +39.0522.686019 - fax Servizio Ricambi +39.0522.962166

e-mail: service@fosterspa.com

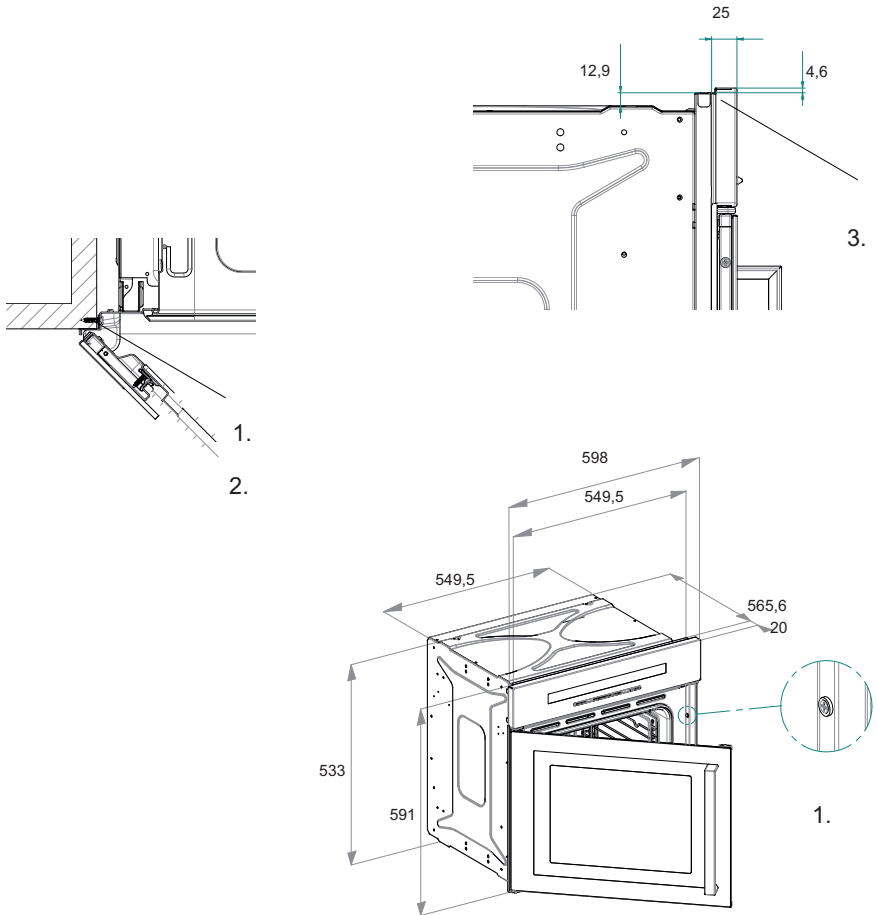
www.fosterspa.com

Schema incasso per forno con porta laterale
Installation scheme for the oven with reversible door
Installation du four avec ouverture latéral
Einbaunische für die Ofentür beiden Seiten eingehängt werden
Instalación del horno con puerta que se puede enganchar por ambos lados
Inbouwovens voor de oven - ovendeur kan aan beide kanten worden vastgehaakt
Дверца может устанавливаться на обе стороны
Schéma instalace trouby s obrácenými dveřmi
Nicho para horno com porta que pode ser colocada em ambos os lados
Schemat instalacji piekarnika z odwracanymi drzwiczkami

2.a



2.b



1. vite di fissaggio/fixing screw/vis de fixation/schrauben/tornillo/schroef/upevňující šroub/parafuso/wkręt mocujący
2. porta/oven door/porte/ofentür/puerta/ovendeur/dveře trouby/porta/drzwiczki piekarnika
3. pannello frontale/front panel/bandeau/bedienfeld/panel/paneel/přední panel/painel/panel czolowy

IT - COME RIMUOVERE E RIMONTARE LA PORTA (1-6)

La porta può essere agganciata da entrambi i lati.

Attenzione:

al termine dell'operazione verificare che la porta sia correttamente agganciata.

A = Per sganciare la porta spingere verso il basso il nottolino

B = Per agganciare la porta spingere verso l'alto il nottolino.

C = Vite di regolazione per allineamento porta.

EN - REMOVING AND REFITTING THE OVEN DOOR (1-6)

The door can be hooked on both sides.

Warning: once completed the operation, check the door is correctly hooked.

A = Release position

B = Block position

C = Setting screw

FR - RETRAIT ET RÉINSTALLATION DE LA PORTE DU FOUR (1-6)

La porte peut être accrochée sur les deux côtés.

Attention:

une fois terminée l'opération s'assurer que la porte soit correctement accrochée.

A = Position de relâche

B = Position de blocage

C = Vis de régulation

DE - HERAUSNEHMEN UND EINSETZEN DER OFENTÜR (1-6)

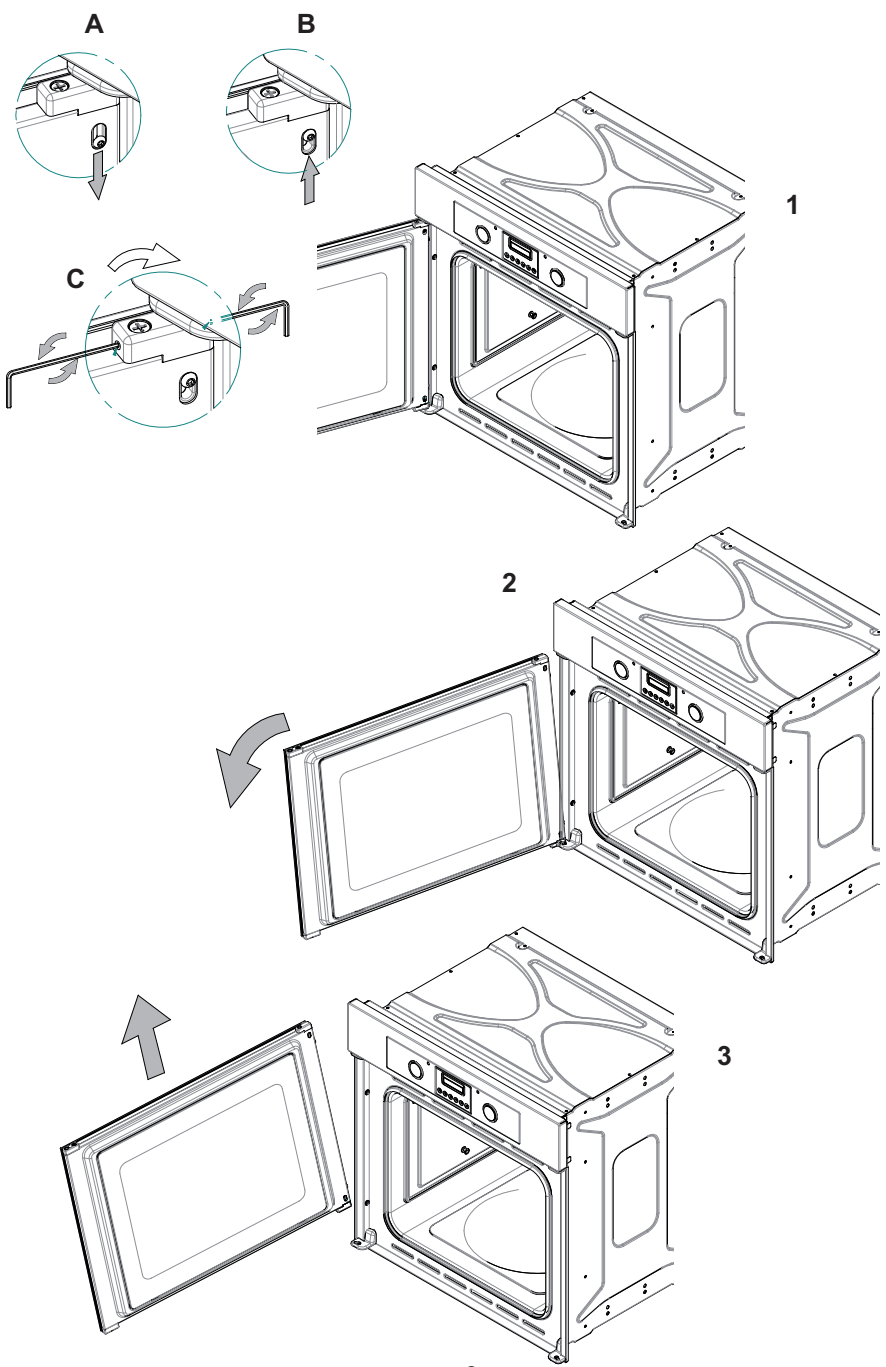
Die Tür kann an beiden Seiten eingehängt werden.

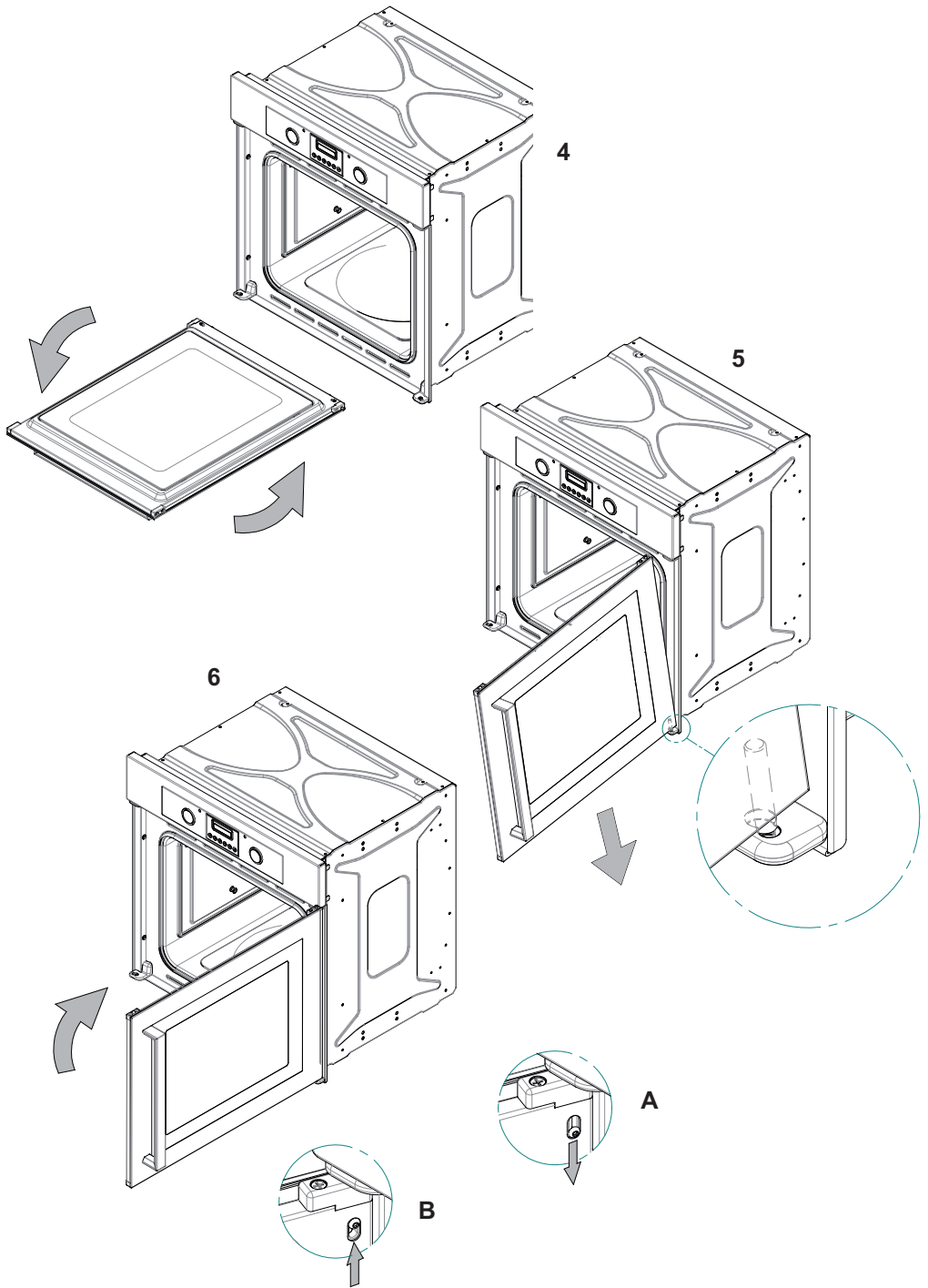
Achtung! Nach Abschluss der Arbeiten sicherstellen, dass die Tür korrekt eingehängt ist.

A = Tür freigegeben

B = Tür blockiert

C = Schraube







EN	The symbol on the product or on its packaging indicates that this product may not be treated as household waste. Instead it shall be handed over to the applicable collection point for the recycling of electrical and electronic equipment. By ensuring this product is disposed of correctly, you will help prevent potential negative consequences for the environment and human health, which could otherwise be caused by inappropriate waste handling of this product. For more detailed information about recycling of this product, please contact your local city office, your household waste disposal service or the shop where you purchased the product.
DE	Dieses Produkt darf am Ende seiner Lebensdauer nicht über den normalen Haushaltsabfall entsorgt werden, sondern muss an einem Sammelpunkt für das Recycling von elektrischen und elektronischen Geräten abgegeben werden. Das Symbol auf dem Produkt, der Gebrauchsanleitung oder der Verpackung weist darauf hin. Die Werkstoffe sind gemäß ihrer Kennzeichnung wiederverwertbar. Mit der Wiederverwendung, der stofflichen Verwertung oder anderen Formen der Verwertung von Altgeräten leisten Sie einen wichtigen Beitrag zum Schutz unserer Umwelt. Bitte erfragen Sie bei der Gemeindeverwaltung die zuständige Entsorgungsstelle.
IT	Il simbolo sul prodotto o sulla confezione indica che il prodotto non deve essere considerato come un normale rifiuto domestico, ma deve essere portato nel punto di raccolta appropriato per il riciclaggio di apparecchiature elettriche ed elettroniche. Provvedendo a smaltire questo prodotto in modo appropriato, si contribuisce a evitare potenziali conseguenze negative per l'ambiente e per la salute, che potrebbero derivare da uno smaltimento inadeguato del prodotto. Per informazioni più dettagliate sul riciclaggio di questo prodotto, contattare l'ufficio comunale, il servizio locale di smaltimento rifiuti o il negozio in cui è stato acquistato il prodotto.
FR	Ce symbole figure sur le produit ou sur son emballage en application de la directive européenne 2002/96/CE sur les Déchets d'Équipement Électrique et Electronique (DEEE). Cette directive sert de règlement cadre à la reprise, au recyclage et à la valorisation des appareils usagés dans toute l'Europe. Ce produit doit donc faire l'objet d'une collecte sélective. Lorsque vous ne l'utiliserez plus, remettez-le à un service de ramassage spécialisé ou à une déchèterie qui traite les DEEE ; vous contribuerez ainsi à éviter des conséquences néfastes pour la santé et l'environnement. Pour tout renseignement sur la mise au rebut et le recyclage de ce produit, veuillez contacter la mairie ou le service de la propreté de votre commune, ou encore le magasin dans lequel vous l'avez acheté.
ES	Este aparato lleva el marcado CE en conformidad con la Directiva 2002/96/EC del Parlamento Europeo y del Consejo sobre residuos de aparatos eléctricos y electrónicos (RAEE). La correcta eliminación de este producto evita consecuencias negativas para el medioambiente y la salud. El símbolo en el producto o en los documentos que se incluyen con el producto, indica que no se puede tratar como residuo doméstico. Es necesario entregarlo en un puntode recogida para reciclar aparatos eléctricos y electrónicos. Deséchelo con arreglo a las normas medioambientales para eliminación de residuos. Para obtener información más detallada sobre el tratamiento, recuperación y reciclaje de este producto, póngase en contacto con el ayuntamiento, con el servicio de eliminación de residuos urbanos o la tienda donde adquirió el producto.
PT	O símbolo no produto ou na embalagem indica que este produto não pode ser tratado como lixo doméstico. Em vez disso, deve ser entregue ao centro de recolha selectiva para a reciclagem de equipamento eléctrico e electrónico. Ao garantir uma eliminação adequada deste produto, irá ajudar a evitar eventuais consequências negativas para o meio ambiente e para a saúde pública, que, de outra forma, poderiam ser provocadas por um tratamento incorrecto do produto. Para obter informações mais pormenorizadas sobre a reciclagem deste produto, contacte os serviços municipais locais, o centro de recolha selectiva da sua área de residência ou o estabelecimento onde adquiriu o produto.
NL	Het symbool op het product of op de verpakking wijst erop dat dit product niet als huishoudafval mag worden behandeld. Het moet echter naar een plaats worden gebracht waar elektrische en elektronische apparatuur wordt gerecycled. Als u ervoor zorgt dat dit product op de correcte manier wordt verwijderd, voorkomt u mogelijk voor mens en milieu negatieve gevolgen die zich zouden kunnen voordoen in geval van verkeerde afvalbehandeling. Voor meer details in verband met het recyclen van dit product, neemt u het best contact op met de gemeentelijke instanties, het bedrijf of de dienst belast met de verwijdering van huishoudafval of de winkel waar u het product hebt gekocht.
RO	Simbolul de pe produs sau de pe ambalaj indica faptul ca produsul nu trebuie aruncat impreuna cu gunoii menajeri. Trebuie predata la punctul de colectare corespunzator pentru reciclarea echipamentelor electrice si electronice. Asigurandu-va ca ati eliminat in mod corect produsul, ajutati la evitarea potentialelor consecinte negative pentru mediul inconjurator si pentru sanatatea persoanelor, consecinte care ar putea deriva din aruncarea necorespunzatoare a acestui produs. Pentru mai multe informatii detaliate despre reciclarea acestui produs, va rugam sa contactati biroul local, serviciul pentru eliminarea deseurilor sau magazinul de la care l-ati achizitionat.
SLO	Simbol na izdelku ali njegovi embalaži označuje, da z izdelkom ni dovoljeno ravnati kot z običajnimi gospodinjstskimi odpadki. Izdelek odpeljite na ustrezno mesto za predelavo elektricne in elektronske opreme. S pravilnim načinom odstranjevanja izdelka boste pomagali preprečiti morebitne negativne posledice in vplive na okolje in zdravje ljudi, ki bi se lahko pojavile v primeru nepravilnega odstranjevanja izdelka. Za podrobnejše informacije o odstranjevanju in predelavi izdelka se obrnite na pristojen mestni organ za odstranjevanje odpadkov, komunalno službo ali na trgovino, v kateri ste izdelek kupili.
PL	Symbol na produkcie lub na opakowaniu oznacza, że tego produktu nie wolno traktować tak, jak innych odpadów domowych. Należy oddać go do właściwego punktu skupu surowców wtórnych zajmującego się złomowaniem sprzętem elektrycznym i elektronicznym. Właściwa utylizacja i złomowanie pomaga w eliminacji niekorzystnego wpływu złomowanych produktów na środowisko naturalne oraz zdrowie. Aby uzyskać szczegółowe dane dotyczące możliwości recyklingu niniejszego urządzenia, należy skontaktować się z lokalnym urzędem miasta, służbami oczyszczania miasta lub sklepem, w którym produkt został zakupiony.
SK	Symbol na výrobku alebo na jeho obale znamená, že s výrobkom sa nesmie zaobchádzať ako s domovým odpadom. Namiesto toho ho treba odovzdať v zbernom stredisku na recykláciu elektrických alebo elektronických zariadení. Zabezpečte, že tento výrobok bude zlikvidovaný správnym postupom, aby ste predišli negatívnym vplyvom na životné prostredie a ľudské zdravie, čo by bolo spôsobené nesprávnym postupom pri jeho likvidácii. Podrobnejšie informácie o recyklácii tohto výrobku získate, ak zavoláte miestny úrad vo Vašom bydlisku, zberné suroviny alebo obchod, v ktorom ste výrobok kúpili.
CZ	Symbol na výrobku nebo jeho balení udává, že tento výrobek nepatří do domácího odpadu. Je nutné odvézt ho do sberného místa pro recyklaci elektrického a elektronického zařízení. Zajištěním správné likvidace tohoto výrobku pomůžete zabránit negativním důsledkům pro životní prostředí a lidské zdraví, které by jinak byly způsobeny nevhodnou likvidací tohoto výrobku. Podrobnější informace o recyklaci tohoto výrobku zjistíte u příslušného místního úřadu, služby pro likvidaci domovního odpadu nebo v obchode, kde jste výrobek zakoupili.
SV	Symbolen på produkten eller emballaget anger att produkten inte får hanteras som hushållsavfall. Den skall i stället lämnas in på uppsamlingsplats för återvinning av el- och elektronikkomponenter. Genom att säkerställa att produkten hanteras på rätt sätt bidrar du till att förebygga eventuellt negativa miljö- och hälsoeffekter som kan uppstå om produkten kasseras som vanligt avfall. För ytterligare upplysningar om återvinning bör du kontakta lokala myndigheter eller sophämningsstjänst eller affären där du köpte varan
NO	Symbola på produktet eller på emballasjen viser at dette produktet ikke må behandles som husholdningsavfall. Det skal derimot bringes til et mottak for resirkulering av elektrisk og elektronisk utstyr. Ved å sørge for korrekt avhending av apparatet, vil du bidra til å forebygge de negative konsekvenser for miljø og helse som gal håndtering kan medføre. For nærmere informasjon om resirkulering av dette produktet, vennligst kontakt kommunen, renovasjonsselskapet eller forretningen der du anskaffet det.

DECLARATION OF CE COMPLIANCE

This appliance is in compliance with the following European Directives:

93/68 : General regulations

2006/95/CE : Concerning low tensions

2004/108/CE : Electromagnetic compatibility

CE Regulation n° 1935/2004:

this appliance is suitable to come in contact with food products.

2002/95/CE : RoHS directive compliance

GENERAL WARNINGS

This manual is an integral part of the appliance.

It is necessary to keep it for the life cycle of the oven and to read it carefully for the installation, use, maintenance, cleaning and handling of the appliance.

Unplug the appliance before undertaking any sort of intervention on it.

Attention: earth connection is required by law.

Packaging materials (sheets, polystyrene) may be hazardous to children (danger of suffocation). Keep packaging materials out of the reach of children.

This appliance is not intended for use by persons (including children) with reduced physical, sensory or mental capabilities, or lack of experience and knowledge, unless they have been given supervision or instruction concerning use of the appliance by a person responsible for their safety.

Children should be supervised to ensure that they do not play with the appliance.

Heat forms during cooking and the appliance door, especially if made in glass, can become very hot. To prevent burns, do not touch the door and keep children away.

This appliance was designed for home use only.

The manufacturer will not be held liable for any damage to persons or property caused by improper installation, or by improper, wrong or senseless use.

The manufacturer reserves the right to make any changes to the product which are felt to be useful or necessary without any advance notice.

Do not carry out any modifications, tampering or repair attempts, especially with tools such as screwdrivers on the inside or outside of the appliance.

Repair work, especially on the electrical parts, must be performed only by specialized personnel.

Improper repair work can cause serious accidents, damage the appliance and equipment as well as impair proper operation.

In case of a failure in operation or an indispensable repair job, ask for the intervention of the customer technical service centre.

If the appliance shows visible signs of damage, do not use it; unplug it and contact the assistance service.

The oven must be unplugged as soon as an operating problem is discovered.

Make sure the power cord of the appliance is not crushed by the oven door as this may damage the electrical insulation.

If the power cord has been damaged, it must be replaced by the technical service centre in order to avoid the creation of hazardous situations.

Before closing the oven door, make sure there are no foreign bodies or pets inside the oven.

The oven gets extremely hot during operation and remains hot for a long time, even after it has been turned off, then cools down very slowly until reaching room temperature. Wait for a suitable period of time before carrying out any work such as cleaning.

Do not place heat-sensitive or flammable materials in the oven such as detergents, oven sprays, and so on. Superheated grease and oil may easily catch fire.

The rack, the plates and the cooking containers become extremely hot.

Use insulated glove or pot holders.

Never use water in an attempt to extinguish burning grease or oil (there is the danger of explosion). Suffocate the fire with wet cloths.

When using and maintaining the oven, be careful not to get fingers caught in the door hinges to avoid crushing or other injuries. This is specially important when children are around.

Never clean the appliance with high pressure water or steam cleaning equipment.

Do not use the appliance to heat the room.

If the door is open there is the hazard of tripping or crushing the fingers; leave the door open only in an ajar position.

Do not sit or lean on the door and do not use it as a work surface.

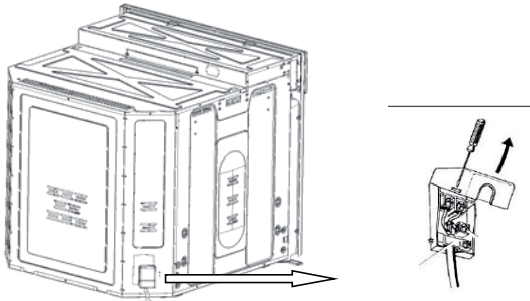
For maintenance, moving, installation and cleaning of the appliance use suitable prevention and protection equipment (gloves, etc.).

Lifting and moving of appliances weighing more than 25 kg must be carried out using proper equipment, or by two persons, in order to avoid risks or injuries.

CONNECTION TO MONO-PHASE ELECTRICITY

Ovens equipped with tri-polar power supply cables are constructed to function with alternating current, and with the voltage and frequency indicated on the technical label on the appliance.

Assembly of the power cable



1. Open the terminal board by placing a screwdriver under the side flaps on the cover, pull and then open the cover (see the figure).
2. Install the power supply cable, unscrew the screws on the cable grip and the three screws on contacts L-N- and then attach the wires under the screw heads respecting the colours:

BLUE	- NEUTRAL (N)
BROWN	- LIVE (L)
YELLOW-GREEN	- EARTH (\perp)

3. Attach the cable to the appropriate cable holder.
4. Close the terminal board cover.

Attaching the power supply cable to the mains

For direct connection to the mains power, it is necessary to use a device that ensures that the mains power is disconnected, with a distance between contacts that allows complete disconnection in compliance with surge category III and installation regulations.

Assemble a standard plug for the capacity indicated on the rating label.

If the oven has a direct connection to the mains electricity supply, it is necessary to install an omnipolar switch between the appliance and mains power with a minimum opening between the contacts of 3 mm dimensioned for the indicated capacity and in compliance with currently enforced regulations (the switch must not interrupt the ground cable).

The power supply cable must be positioned in such a way that it does not exceed the room temperature by 50°C at any point.

The installer is responsible for correctly hooking-up the electricity connection and adherence to safety regulations.

Before hooking-up to the mains supply, make sure that:

- The socket has a ground connection and complies with legal regulations.
- The socket is able to withstand the oven's maximum power capacity indicated on the rating label (also see below).
- The power supply voltage is within the values listed in the electrical characteristics label (see below).
- The socket is compatible with the appliance plug.
- If this is not the case, replace the socket or the plug.
- Do not use extension cords or multiple sockets.
- Once the appliance is installed, the electrical cable and the electrical power socket must be easy to reach.
- The cable must not be bent or compressed.
- The cable must be periodically checked and only replaced by authorized technicians.

The Company declines all responsibility if these instructions are not adhered to.

Voltage and power supply frequency:

220-240 V~ 50/60 Hz 3100 W

Replacement of the power cable:

If the power cable needs to be replaced, use cables of the following type only:

- H05 RR-F
- H05 V2V2-F (T90)
- H05 VV-F

which are suitable for the operating capacity and temperature. The green-yellow ground cable must be longer than the other two conductors by approximately 2cm.

INSTALLATION

Important: any adjustments, maintenance, etc. must be executed with the oven disconnected from electricity.

To guarantee proper operation of the built-in appliance, the furniture unit must have suitable characteristics:

- the panels adjacent to the oven must be constructed in heat resistant materials;
- in the case of veneered wood furniture units, the glue must be heat resistant to temperatures up to 100°C.

The oven must be located in a standard opening of 560mm, as shown in the first page of the booklet, whether under a counter or in a column position.

When inserting the oven into a column it is indispensable to ensure adequate ventilation by installing openings as illustrated in the figure.

The oven is secured to the furniture unit by four "A" screws located in the holes of the frame.

Make sure not to lift the oven by its door when inserting it; furthermore, do not place excessive pressure on the door when it is open.

Note: if no opening has been anticipated in the upper part of the column furniture, make a hole which is 560mm wide and 40-50mm high in the lower part of the column.

Oven dimensions (mm):

Width: 598mm

Height: 591mm

Depth: 565,6mm

THE ELECTRONIC PROGRAMMER



1. Manual turning on/off of the oven interior light
2. + to increase, - to decrease the temperature of the oven interior, the food probe or the timer duration, cooking end, alarm counters.
3. Selection of cooking cycle, sliding to the left or the right.
4. Cooking cycles display
5. Enter menu and scroll items list from the bottom to the top and vice versa.
6. Selection confirmation key
7. Turn on/off oven
8. Oven door opening

OVEN DETAILS

This appliance complies with European Directive RoHS 2002/95/EC.

Touch-Control Keypad

This is a particular type of keypad which is touch-sensitive. To give a command to the oven, simply indicate and apply light pressure on the point of the keypad where the symbol corresponding to the instruction is located.

Keypad command inactivity

After 5 minutes without confirmation of a cooking cycle activation or without confirmation of an option, the oven turns off automatically.

'Beep' Signal

Each time that a sensor key is touched, a brief beep will sound.

Cooling fan

The oven is equipped with a cooling fan to ensure it works properly and to reduce the temperature of the external surfaces of the oven.

During cooking, the fan has a delayed start 15 minutes after the oven comes on. It may come on before that if the temperature measured by the sensor in the cooking chamber is greater than 130°C. You will then hear a jet of air coming out from between the front panel and the oven door with the fan started. Ventilation continues for approximately 20 minutes after the oven is turned off.

Oven light turning off automatically

Allows to select the criteria for turning off the light once it has been turned on.

Select NO for the item: LIGHT OFF AUTOMATICALLY to set the manual mode; in this case the light will turn off only by pressing the dedicated key (1).

By selecting YES, the automatic function allows the electronics to turn the light off automatically 5 minutes after it was turned on.

Night mode

During night hours, the current time is displayed with half-light intensity. If the oven is turned on, the display returns to its maximum level.

SWITCHING ON FOR THE FIRST TIME

Selection of language and time setting

When the oven is connected to the mains power supply for the first time, a wait message (WAIT) and some product identification information appear on the display.

Do not touch the keypad during this brief period.

Note: It is normal that the tangential fan turns on and then shuts off after a few moments.

When the following message appears: LANGUAGE ENGLISH
by pressing one of the keys (2), select the desired language.
Confirm your selection with the key (6).

When the display reads: TIME SETTING 00.00
set the clock by touching the sensor keys (2)
Confirm the setting with the key (6).

How to turn the oven on

For at least 1 second, press the key (7).

The display reads the word <<ON>>, the oven light turns on and then the display reads the message:

← → SELECT COOKING ↓ MENU

Note: Deactivate the keypad lock if it is active.

The oven will turn off automatically, after 5 minutes, if no selection is made.

How to turn the oven off

Press the key (7). The display reads <<OFF>>
The oven will go into the standby mode.

How to select a cooking function

Press one of the two direction keys (3) to select the desired cooking cycle.

Note: If no selection is made within 5 minutes, the oven will turn off automatically.

How to modify the interior oven temperature

Press one of the two keys (2) to modify the preset temperature with increments of +/-5°C. The temperature value is always expressed in Celsius degrees.

Note:the degree symbol “°” flashes during the oven preheating period or until the set temperature is reached. Otherwise, it is always on in all the other cases, such as for example: temperature control, when the oven is maintaining the temperature already achieved, and cooling, when the oven must reach a set temperature lower than the starting value.

How to start cooking

The selected cooking function, with the settings visualized on the display, is activated by touching the sensor key (6).

See the message on the display: ↵ ACTIVATE CYCLE, ↓ MENU

Note:*The oven turns off automatically after 5 minutes if the start of the cooking process is not confirmed.*

The phrase: “COOKING IN PROGRESS ↓ MENU” will be on the display when cooking is activated. By pressing the key (5) the main menu is accessed.

How to set a rapid pre-heating

To activate this function, recommended for a cooking that needs a chamber temperature higher than 200°C, when the message RAPID PRE-HEATING NO appears, press the key (2) to set YES, press again the key (2) to set NO.

Confirm the setting with the sensor key (6).

At the end of the rapid pre-heating (constant temperature, 210°C-220°C) the following message appears:

OVEN HOT PRESS ↵ TO START COOKING

accompanied by a buzzer warning signal.

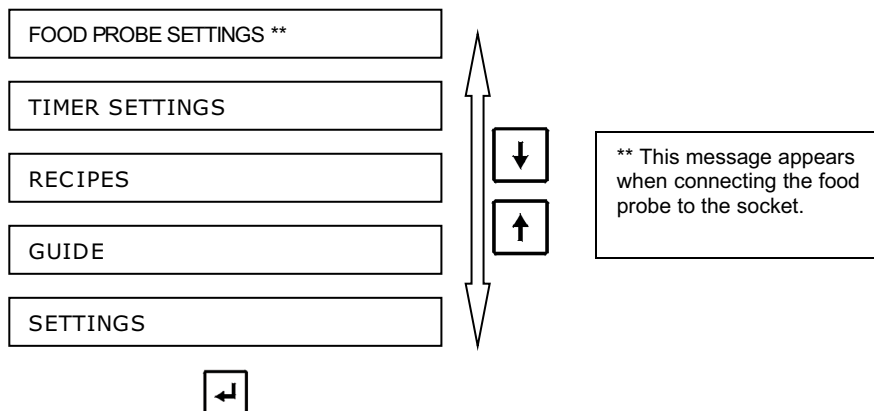
Insert the food into the cooking chamber and press the key (6).

If you do not confirm this, after waiting for 5 minutes, the oven will automatically turn off.

In the case of a delayed cooking, at the beginning of the cooking progress, for a brief period (10 seconds), the possibility of activating the rapid pre-heating is given. When the 10 sec. are up. The oven automatically turns on as established by the programme.

Main menu

To enter the main menu touch one of the sensor keys (5)



Item selection


The key (6) accesses the selected menu of options. It also serves as a confirmation function.

How to go back


By pressing the two sensor keys (5) simultaneously, the possibility of returning to the previous level of choice is given..

How to use, visualize or modify the alarm function


Access the main menu and select the item TIMER SETTINGS. Then confirm the item ALARM. Press one of the two keys (2) to activate the function. The display shows the following message:

ALARM, the blinking numbers 00.00 and the symbol  will appear.

Use the keys (2) individually to set the desired time.
The maximum time that can be set is 23 hours and 59 minutes.

After a few moments (5 sec.), the timer begins, the oven returns to displaying the current time and the symbol remains constantly lit .

At the end of the set time period, a buzzer sounds and the following message is displayed:

ALARM 00.00 and symbol  (these numbers will be blinking)

Press any key to stop the buzzer.

Note: The buzzer is automatically deactivated after 5 minutes.


CAUTION:

The alarm function does NOT interact with the operation of the oven, and it is always available regardless of the oven state.

How to reset the alarm function

Access the function TIMER SETTING and then confirm the item ALARM.

Press the keys (2) simultaneously to reset the time previously programmed for this function.

The  symbol will turn off.

How to program the oven

How to set or change a cooking time

Turn the oven on and select a cooking function. Touch one of the sensor keys to access the main menu.

Select the item TIMER SETTING, select the item COOKING TIME. Use the keys (2) to set the cooking time.

The timer duration symbol is displayed to the right of the numbers:



The maximum time that can be set is 10 hours. Confirm the setting with the key (6).

The time displayed begins to decrease, and when it reaches zero the oven will go into cooking finished mode.

How to set or change the cooking time

Note: Cooking Duration alternative mode

Turn the oven on and select a cooking function. Touch one of the sensor keys (5) to access the main menu.

Select the item TIMER SETTING, select the item COOKING FINISH. Use the keys (2) to set the desired cooking finish time.

Manually confirm the time setting using the key (6), or after a brief moment, the display visualizes the writing \downarrow ACTIVATE CYCLE \downarrow MENU

The time displayed begins to decrease, and when it reaches zero the oven will go into cooking finished mode.

How to delay a start time and cooking time.

Program a cooking time, then program the time that the cooking should finish. The oven will turn on automatically for cooking.

How to cancel the cooking timers and cooking finish times

Access the main menu and select the item TIMER SETTINGS. Then select the time to be modified or cancelled.

Simultaneously press the keys (2).

Cooking finished mode

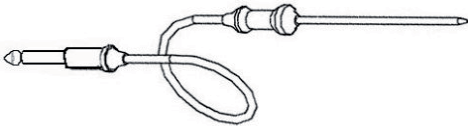
The oven turns off all the heating elements.

The display shows the message: "COKING FINISHED" accompanied by the buzzer signal.

The buzzer signal can be turned off by pressing any key.

By pressing the key (6) the oven can be turned off or, by pressing one of the two keys (3) it is possible to select a new cooking cycle.

Cooking with the food probe



The oven is supplied with an accessory shaped like a "large pin" inserted in a grip that ends with a cable and a plug. The food probe, connected to the electronics, allows to measure the temperature inside the meat or other food that is being cooked.

This accessory simplifies the approach to the various cooking cycles for those with little experience in the sector, obtaining constant results over time.

The cooking finishes when the temperature inside the food, measured by the probe, reaches the value set on the display.

How to use the food probe

Connect the food probe on the appropriate connector located inside the oven, on top of the right wall (see fig. A). Horizontally insert the metal pin of the food probe into the food to be cooked, up to the handle.

The point, if possible, must be placed in the centre of the food and must not touch a bone or be inserted in any fatty parts of the food (fig. B).

A correct measurement can be obtained only by following these instructions.

Turn on the oven, select a cooking function, set the food probe temperature and, finally, set the cooking chamber temperature.

Fig. A

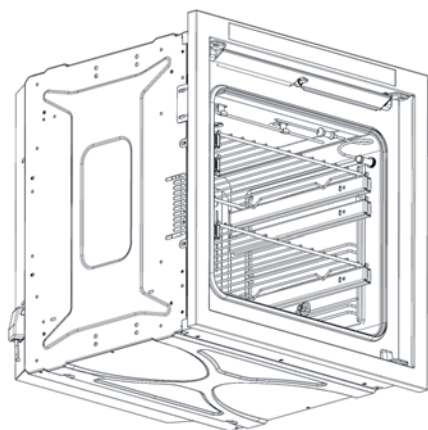
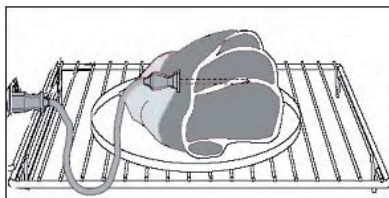


Fig. B



How to change the food probe temperature

Access the main menu and select the item FOOD \square PROBE SETTINGS. Press one of the two keys (2) to change, with increments of $\pm 1^{\circ}\text{C}$, the food probe temperature.

Maximum temperature setting: 90°C

Minimum temperature setting: 40°C

The food probe temperature value is displayed with the following graphic symbol to the left:



Notes:

The oven temperature must be higher than the food probe temperature. Otherwise, the display of the chamber temperature will flash to indicate an incorrect setting.

It is not possible to set a cooking time using the food probe or vice versa.

How to program oven start using the food probe

Connect the food probe to the appropriate connector (see fig. A).

Turn on the oven.

Access the main menu and select the item TIMER SETTINGS and then select the item: START COOKING

The display reads the sentence: COOKING START TIME SETTING

Using the sensor keys (2) to program the time that the oven must come on for cooking. Confirm the setting with the key (6).

The oven will go into delayed start mode.

At the set time, the oven will come on and the food will be cooked according to previous settings.

The cooking finishes when the temperature inside the food, measured by the probe, reaches the value set on the display.

A clear message "“OVEN TO BE TURNED ON IN”"will be displayed every 20 second to show the time remaining before the oven is turned on.

In any case, it is possible to recall at any time the information on the display, by touching one of the keys, except the key ON-OFF.

Saving a cooking cycle

It is possible to memorize cooking settings in dedicated areas on the memory. This information may be retrieved at a later time in order to cook with the same previous settings, obtaining consistent and unfailing results.

It is possible to memorize

cooking cycle

cooking chamber temperature

food probe temperature or alternatively **cooking time**

It is not possible to memorize:

Start cooking time

End of cooking time

How to save a cooking cycle

After inserting all of the settings for e cooking cycle, select the main menu from one of the keys.

Select: RECIPES

Then: your own recipes and then: SAVE COOKING CYCLE

Select a cooking between the 10 available by using the scrolling keys (2).

Confirm the saving of the data in COOKING CYCLE NO. with the key (6).

When the data has been saved, the system responds with "DONE"

Notes:

It is advisable to write down the number of the cooking cycle along with the name of the dish for which it is used. This will help in the future when you would like to call up the cooking cycle to be used for this particular dish.

If the system displays EXIT instead of DONE this means that all of the available records in the memory have been used.

To save another cooking cycle, you must delete one or more records.

Menu functions

- Recipes
- Settings
- Exit

Recipes: The system has a stored list of dishes (meat, bread/pizza, fish, desserts, timbales, your own recipes) that allows a quick setting of the oven (recommended parameters) based on the item selected in order to obtain the correct cooking. The following pages provide the tables and parameters of the food stored in the memory.

Settings: In this menu it is possible to carry out a series of settings that allow to personalize the oven based on your own needs.

How to load your own recipe

Select menu and select the RECIPES item, with the key (6).

Scroll the items with the keys (5) until the display shows YOUR□RECIPES. Confirm your selection with the key (6).

When the message: LOAD COOKING CYCLE is displayed, press the key (6). The system displays the recipes that have been stored.

Use the keys (5) to select the desired cooking cycle.

Confirm the command by pressing the key (6).

Note: If the memory area is empty because no personalized recipes have been stored, the system responds with EXIT.

How to delete your own recipe

Select menu and select the RECIPES item, with the key (6).

Scroll the items with the keys (5) until the display shows YOUR□RECIPES. Confirm your selection with the key (6).

Use one of the two keys (5) to scroll the items until the following text is displayed: DELETE COOKING CYCLE

Press the key (6) to enter the submenu.

Select the cooking cycle that you would like to delete, scrolling the items with one of the two keys (5), and confirm the deletion with the key (6).

The system confirms cancellation with the writing DONE

How to personalize the recipe list

Select a recipe from the default recipes and set the data according to your specific desires. Remember that it is possible to cook by time (cooking time) or with the food probe.

Select with one of the keys (5) the main menu.

Select: RECIPES

Then select the group and name of the recipe that was modified.

Confirm saving with the key (6)

When the data has been saved, the system responds with "DONE"

Practical cooking suggestions

All cooking must be carried out with the door closed.

Always use completely dry oven gloves or pot holders to remove the hot dishes from the oven.

Use containers able to withstand maximum temperatures of 250°C or higher.

During or at the end of the cooking phase, be careful of the hot air that escapes from the oven when the door is opened.

Never rest the dishes directly in contact with the bottom of the oven. Use the appropriate accessories.

Food probe

If the food probe temperature display is flashing with the value of 40°C, this means that the dish selected from those listed in the recipe list lacks an ideal probe temperature value. In this case, it is recommended to disconnect the food probe and cook according to the set mode or set a food probe temperature best suited to your expectations.

HOW TO PERSONALIZE YOUR OVEN

Turn on the oven.

When the following message appears: ← → SELECT COOKING ↓ MENU

Select with one of the keys (5) the main menu.

Select with the key (6) the item: SETTINGS

Search for the option to personalize using the scroll keys (5).

And confirm the selected option with the key (6)

Change the setting by touching one of the two sensor keys (2).

The new setting must always be confirmed with the key (6).

The message "DONE" will be visualized once the selection is confirmed.

LANGUAGE

LANGUAGE: allows to set the display of the messages in the language best suited to the user. The list of the languages available in the menu follows:

ENGLISH
ITALIAN
DEUTSCH
FRANÇAIS
CASTELLANO
PORTUGUÉS
NEDERLANDS
ČESKY
РУССКИЙ
POLSKI
ROMANA

Use the keys (5) to scroll the items in the list and with the key (6) confirm the language you selected.

Set the keypad lock

This option allows to select the mode in which the keypad lock is set: manual or automatic. It is recommended to select the automatic mode (YES), especially if there are children present.

AUTOMATIC KEYPAD LOCK YES

The keys are locked automatically when the keypad remains inactive for 1 minute.

AUTOMATIC KEYPAD LOCK NO

The keypad lock is activated by simultaneously pressing the key on the far left (3) and the key on the far right (3).

In both cases, when the keypad lock is activated, the following message appears on the display: B

KEYPAD LOCK ACTIVATED followed , **if the oven is turned off**, by the key symbol



, to remember that the function is activated.

If the keypad lock is activated manually or automatically during a cooking process, the display, after the message: "KEYPAD LOCK ACTIVATED", returns to displaying the cooking information. If someone attempts to perform new settings, the system responds to pressure on any key with a message that reminds the user to deactivate the protection first.

How to deactivate the keypad lock

If the key symbol is displayed  or the message appears:

<- UNLOCK KEYS → (*the two side arrows indicate the keys to touch for unlocking the keyboard*)

Simultaneously press the key (3) and the key on the far right (3) located on the extremity of the keyboard

The message: KEYPAD LOCK DE-ACTIVATED confirms that the appliance's normal control functions have been restored.

Keypad lock details

The key (1) allows turning the light on / off in the cooking chamber regardless of the oven state.

the key (7) allows turning the oven off.

COOKING FUNCTIONS



Traditional cooking

Preset temperature: 190°C

It is recommended that the oven is pre-heated before introducing the food.



Traditional cooking with fan

Preset temperature: 200°C

Cooking mode suited to bake bread, pizzas and lasagne.

It is recommended that the oven be pre-heated.

Keep the oven door closed during this function.



Bottom element only

Preset temperature: 50°C

Suitable for very slow cooking and warming up of food.



Bottom element with fan

Preset temperature: 165°C

This type of cooking is specially slow and delicate.



Centre grill

Preset temperature: 200°C

This kind of cooking is specially suited to small amounts of food.

Keep the oven door closed during this function.



Double grill

Preset temperature: 200°C

This kind of cooking is specially suited for larger quantities of food that require full width grilling. Keep the oven door closed during this function.



Double grill with fan

Preset temperature: 165°C

The action of the fan, combined with the action of the grill, allows for quick, thorough cooking of food.

It is advisable to heat the oven for a few minutes before putting food in it.



Fan cooking

Preset temperature: 165°C

This type of cooking allows even heat distribution to all parts of the oven.

It is possible to cook two different types of food (e.g. meat and fish) while using their different respective cooking times.



Pizza function

Preset temperature: 165°C

This kind of cooking is ideal for pizza and vegetable dishes.

With this function, all the heating elements and the fan work together.



Defrosting

Thermostat not activated with this function.

Only the fan works, so there is no transmission of heat.

The oven door must be closed. This function makes it possible to defrost foods using only about one-third of the time that would normally be required.

Attention: For cooking with the "GRILL" function, the oven door must be kept CLOSED and the set temperature must not exceed 200°C;





How to use the grill


Position the food to be grilled on the grill or in a pan with low borders

The grill should be positioned at the highest possible level, while the drip pan for collecting drippings should be placed beneath the grill.

Depending on the type of food (e.g. meat, fish, chicken, etc.) it is necessary to turn the food to expose both sides to the infrared rays.

Table of the recommendations for cooking

Listing	Dish	COOKING FUNCTION	Cooking temp.	Cooking Time	Level	Food probe temp.
Bread / Pizza: 	Savoury Focaccia	ventilated	200	00.30	2	
	Bread	ventilated	180	00.30	2	
	Pizza roll	Pizza	200	00.20	2	
	Pizza	Pizza	200	00.20	2	
	Savoury tart	ventilated	200	00.20	2	
Flans: 	Cannelloni	ventilated	180	00.45	2	
	Lasagne	static ventilated	160	00.50	2	
	Quiches	ventilated	180	00.50	2	
Meat: 	Roast Pork	static ventilated	170	01.40	2	80
	Roast Beef	static ventilated	170	01.45	2	75
	Roast Veal	static ventilated	180	01.55	2	85
	Pork Chops	Double ventilated grill	200	00.40	4	
	Beef Filet	static ventilated	200	00.35	2	45
	Roast Chicken	static ventilated	180	01.05	2	80
	Meat Loaf	ventilated	170	01.20	2	70
	Roast Beef	ventilated	200	00.45	2	60
	Meat Skewers	Double ventilated grill	200	00.20	4	
	Roast Turkey	static ventilated	170	02.20	2	85
Fish: 	Dentex	Double grill	180	00.25	2	
	Salmon	static	190	00.30	2	
	Tuna	static	190	00.35	2	
	Trout	Double grill	190	00.25	2	

Desserts 	Dish	Cooking Function	Cooking temp.	Cooking Time	Level	Food probe temp.
	Yoghurt biscuits	static ventilated	170	00.20	2	
	Marmalade Tart	ventilated	170	00.20	2	
	Meringue	static ventilated	100	01.20	2	
	Muffins	static ventilated	190	00.15	2	
	Plum Cake	static ventilated	170	01.40	2	
	Soufflès	static ventilated	200	00.35	2	
	Sponge Cake	static ventilated	170	00.40	2	
	Apple Pie	static ventilated	170	00.35	1	

Notes:

The time reported in the column "Cooking Time" is intended as "00.00" in hours and minutes

The numeration of the column "Level" is always indicated from bottom to top

HOW TO REACT IN CASE OF...

Anomaly:

PROBLEM	SOLUTION
The oven does not work	Check whether the omnipolar switch or any residual-current circuit breaker (cut-out) of the electrical system is off. In case of problems with the electrical system, consult a qualified electrician. If the oven still does not work after resetting the omnipolar switch and/or residual-current circuit breaker, contact an Authorized Service Centre.
The light inside the cooking chamber does not turn on.	Bulb replacement.
The display visualizes the indication ERR associated with a number	In the Error codes Table.
The current time value links.	Probable electricity failure (Black-out). Set the current time.

In case of black-out:

In the case of a black-out, when the electricity is restored it may be necessary to reset the current time.

If the interruption of the electric power supply occurs during a cooking process, the process cannot continue and must be reset.

Error Codes Table

The electronic system continually performs a series of diagnostic tests. If some parameters are incorrect, the control unit deactivates the functions and displays an error code (Err followed by two numerical digits); all the heating elements are turned off, including the fan inside the cooking chamber. The cooling fan remains on.

Take note of the error code and contact an Authorized Service Centre, specifying the error code.

Error Code	Cause	SOLUTION
ERR 001	PT1000 cooking chamber sensor Defective.	- Replace cooking chamber sensor PT1000 Contact an Authorized Service Centre, specifying the code.
ERR 017	PT1000 cooking chamber sensor Defective.	- Replace cooking chamber sensor PT1000 Contact an Authorized Service Centre, specifying the code.
ERR 016	High temperature in cooking chamber	- Check whether the oven is embedded in the furniture according to the instructions in this handbook. - Check that the tangential fan is functioning - Contact an Authorized Service Centre, specifying the code. - Replace the power card
ERR 032	High temperature in cooking chamber	- Check whether the oven is embedded in the furniture according to the instructions in this handbook. - Check that the tangential fan is functioning - Contact an Authorized Service Centre, specifying the code. - Replace the power card
ERR 004	High temperature near electronic cards (power card)	- Check whether the oven is embedded in the furniture according to the instructions in this handbook. - Check whether the tangential fan is operating correctly. Contact an Authorized Service Centre, specifying the code. - Replace the power card, tangential fan
ERR 002	NTC sensor faulty on power card	Contact an Authorized Service Centre, specifying the code. - Replace the power card
ERR 008	Door lock system defective.	- Mechanical fault or electrical failure Contact an Authorized Service Centre, specifying the code.

REPLACING THE BULB

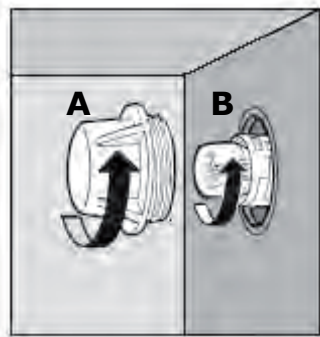
Important: Unplug the appliance from the electrical power supply.

Check that the oven is at room temperature, otherwise wait for it to cool.
Remove the side rack.

To replace the oven bulb **B**, remove the protective cover **A** by turning it anti-clockwise.
Replace the burnt-out bulb and fit the protective cover back in place **A**.

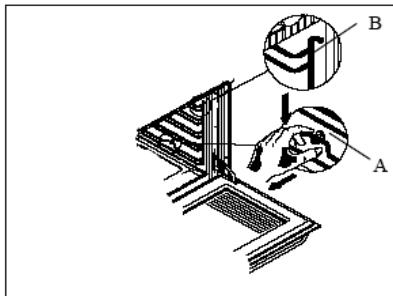
Note: Use only 25 W, E-14 type, T 300°C bulbs.

The lamp used in this appliance is a 'special purpose lamp' intended only for the usage with this appliance; is not intended for household room illumination.



CLEANING THE SIDE RACKS

The side racks are to be hooked onto the wall of the oven.
To remove the side grilles press on parts A and B as shown.
To refit the racks, do the same operations in reverse order.



REMOVING THE OVEN DOOR INNER GLASS PANEL

Do not use any abrasive medium that could cause damage.

Remember that if the surface of the glass panel becomes scratched, this could lead to a dangerous failure.

Never clean the appliance with high pressure water or steam cleaning equipment.

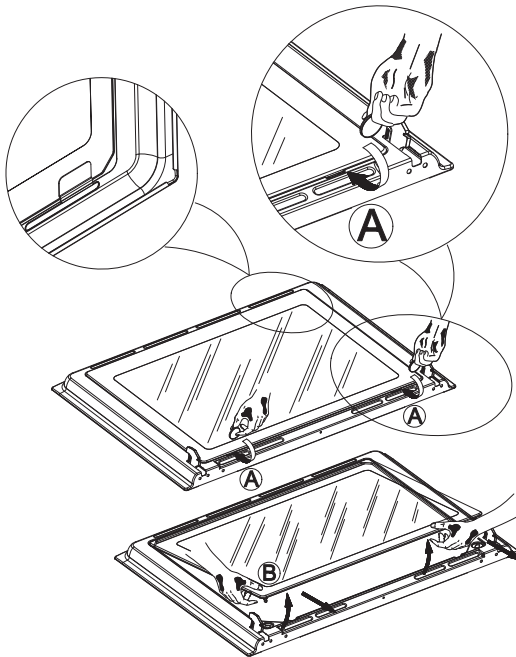
To remove the oven door inner glass panel, use a coin to perform a levering action in the two grooves (A) until the two pins (B) are released from their housing (pic. 1).

Then raise the glass as shown in pic. 2 and take it out from the top.

To refit the door, repeat the two previous operations in reverse.

Reinsert the glass by resting it on the inner door and pushing it in.

Press on the glass until the pins slot back into their initial position (pic. 2).



CLEANING AND MAINTENANCE

Important: before carrying out maintenance on the oven, it must always be unplugged from the power supply or disconnected from the mains via the electrical system master switch.

Wait for the appliance to cool down before proceeding with any cleaning operation.

Do not use abrasives, bleach or coarse cleaning material.

Never clean the appliance with high pressure water or steam cleaning equipment.

Do not use abrasive materials or substances for cleaning glass panels, as this may damage them

Wipe the inside of the oven by using a damp cloth with a diluted ammonia product; rinse and dry the oven carefully.

When cleaning the lower part of the oven, you are advised to remove any stains while the oven is still warm, but not hot – the longer you wait, the more difficult it will be to remove them.

For external parts cleaning, use a soft cloth and soapy water, rinse and dry carefully.

Wash the accessories in a dishwasher or in the sink, using an oven cleaner.

Warning: before proceeding with any operation as above, please use suitable prevention and protection equipment (gloves, etc.).

Free Manuals Download Website

<http://myh66.com>

<http://usermanuals.us>

<http://www.somanuals.com>

<http://www.4manuals.cc>

<http://www.manual-lib.com>

<http://www.404manual.com>

<http://www.luxmanual.com>

<http://aubethermostatmanual.com>

Golf course search by state

<http://golfingnear.com>

Email search by domain

<http://emailbydomain.com>

Auto manuals search

<http://auto.somanuals.com>

TV manuals search

<http://tv.somanuals.com>