

FF225K

Features

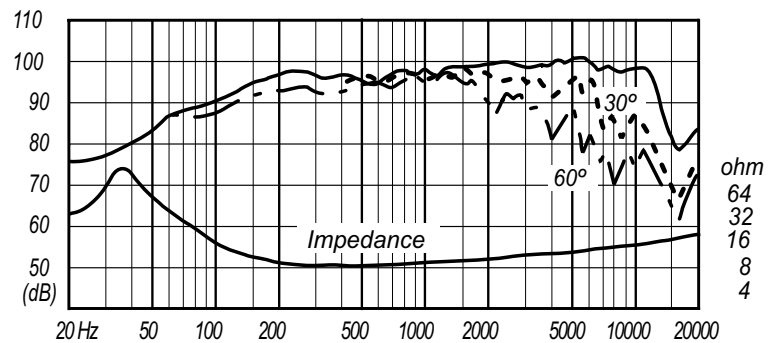
- ◆ 200mm (8 in) cone type full range
- ◆ 8 ohm impedance
- ◆ fo to 14kHz frequency response
- ◆ 96dB sensitivity at 1W/1m (3.3ft)
- ◆ 3.72kg (8.20 lb) net weight



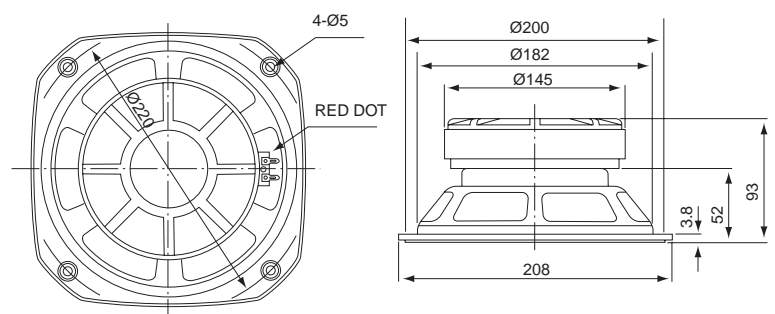
Specifications & Thiele/Small Parameters

Impedance	: 8 ohm
Minimum Frequency Response	: 40Hz
Reproduction Frequency Response	: fo - 14kHz
S.P.L.	: 96dB/W (m)
Rated Input	: 31W
Music Power	: 100W
Equivalent Diagram Radius	: 84mm (3.30 in)
Equivalent Mass	: 17.3g (0.038 lb)
Magnet Weight	: 1,067g (2.35 lb)
Net Weight	: 3.72kg (8.20 lb)
Fs	: 38Hz
Re	: 6.3 ohm
Qts	: 0.16
Qms	: 3.06
Qes	: 0.17
Vas	: 79.41 L
Xmax	: 0.3mm (0.012 in)
no	: 2.112%

Frequency Response / Impedance



Dimensions & Mounting Information



Free Manuals Download Website

<http://myh66.com>

<http://usermanuals.us>

<http://www.somanuals.com>

<http://www.4manuals.cc>

<http://www.manual-lib.com>

<http://www.404manual.com>

<http://www.luxmanual.com>

<http://aubethermostatmanual.com>

Golf course search by state

<http://golfingnear.com>

Email search by domain

<http://emailbydomain.com>

Auto manuals search

<http://auto.somanuals.com>

TV manuals search

<http://tv.somanuals.com>