

FT66H

Features

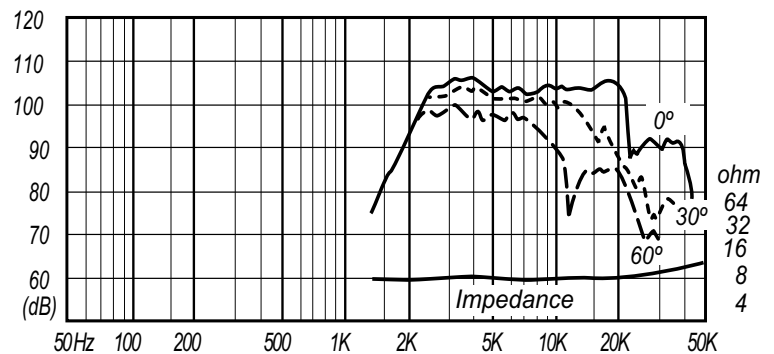
- ◆ Ring diaphragm Tweeter
- ◆ 8 ohm impedance
- ◆ 2.5kHz to 22kHz frequency response
- ◆ 105dB sensitivity at 1W/1m (3.3ft)
- ◆ 1.15kg (2.54 lb) net weight



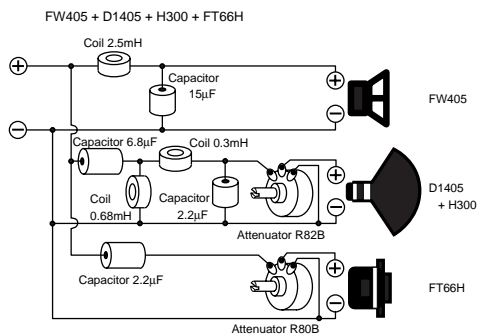
Specifications

Impedance	: 8 ohm
Reproduction Frequency Response	: 2.5kHz - 22kHz
S.P.L.	: 105dB/W (m)
Music Power	: 70W
Cutoff Frequency	: 2.3kHz
Recommended Cross-over Frequency	: more than 3.5kHz
Magnet (alnico)Weight	: 100g (0.22 lb)
Net Weight	: 1.15kg (2.54 lb)

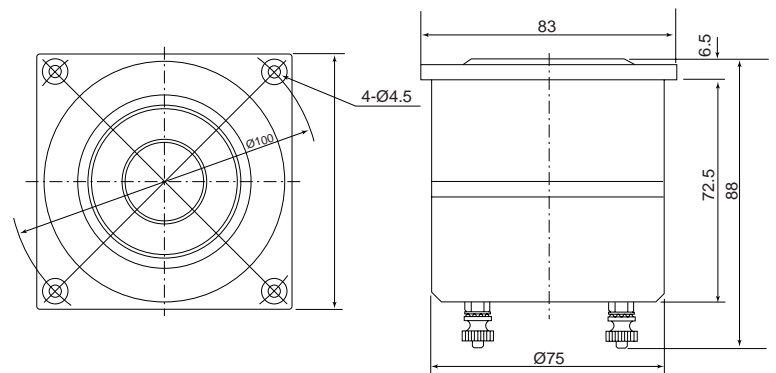
Frequency Response / Impedance



Configuration Example



Dimensions & Mounting Information



Free Manuals Download Website

<http://myh66.com>

<http://usermanuals.us>

<http://www.somanuals.com>

<http://www.4manuals.cc>

<http://www.manual-lib.com>

<http://www.404manual.com>

<http://www.luxmanual.com>

<http://aubethermostatmanual.com>

Golf course search by state

<http://golfingnear.com>

Email search by domain

<http://emailbydomain.com>

Auto manuals search

<http://auto.somanuals.com>

TV manuals search

<http://tv.somanuals.com>