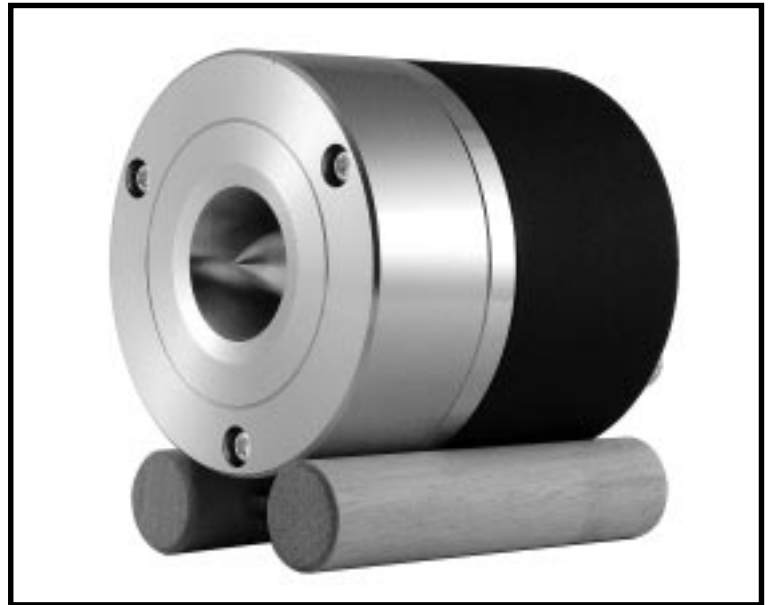


T900A

Features

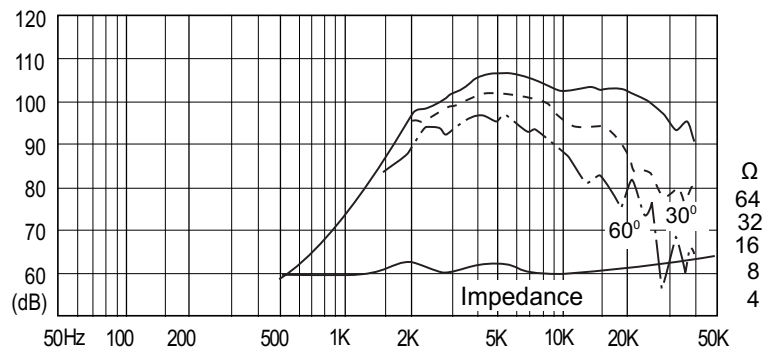
- ◆ Horn Super Tweeter
- ◆ 8 ohm impedance
- ◆ 5kHz to 38kHz frequency response
- ◆ 106dB sensitivity at 1W/1m (3.3ft)
- ◆ 3.55kg (7.826 lb) net weight



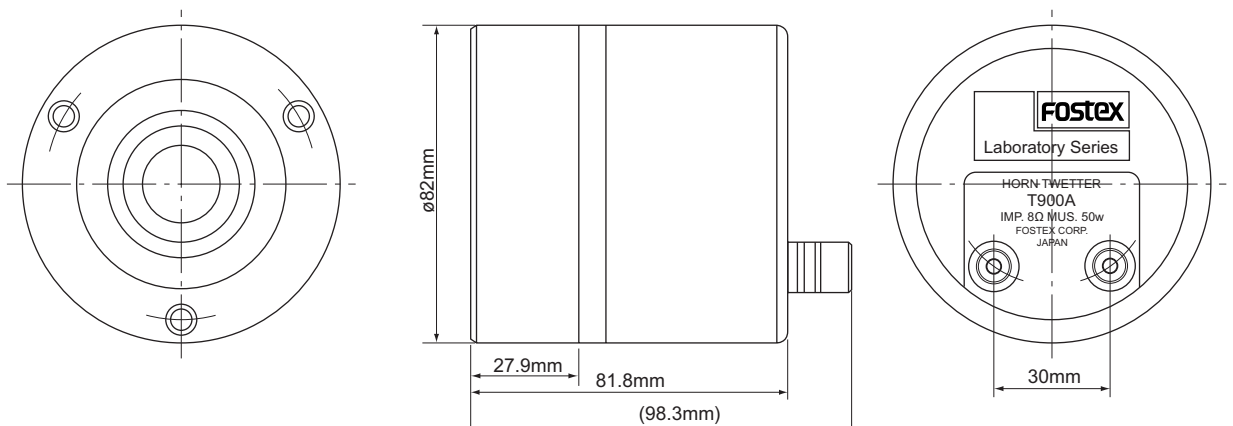
Specifications

Impedance	: 8 ohm
Reproduction Frequency Response	: 5kHz - 38kHz
S.P.L.	: 106dB/W (m)
Music Power	: 60W
Cutoff Frequency	: 3.6kHz
Recommended Cross-over Frequency	: more than 7kHz
Magnet Weight	: 240g (0.529 lb)
Net Weight	: 3.5kg (7.826 lb)

Frequency Response / Impedance



Dimensions & Mounting Information



Free Manuals Download Website

<http://myh66.com>

<http://usermanuals.us>

<http://www.somanuals.com>

<http://www.4manuals.cc>

<http://www.manual-lib.com>

<http://www.404manual.com>

<http://www.luxmanual.com>

<http://aubethermostatmanual.com>

Golf course search by state

<http://golfingnear.com>

Email search by domain

<http://emailbydomain.com>

Auto manuals search

<http://auto.somanuals.com>

TV manuals search

<http://tv.somanuals.com>