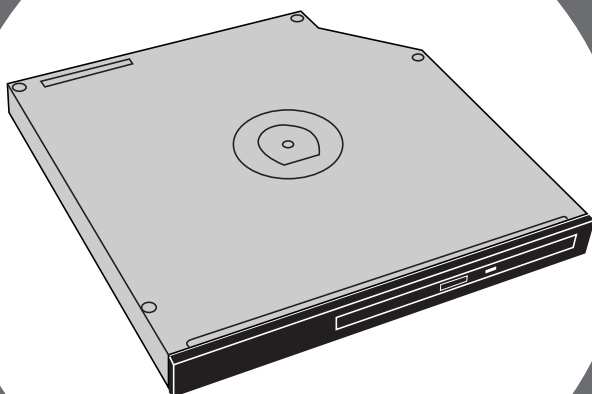


Fostex®

COMPACT
disc
ReWritable



Model CD-1A
(CD-RW drive for the VF160)

Installation Manual

Introduction

The Model CD-1A is designed exclusively for the VF160 digital multitracker. By installing the CD-1A to the VF160, you can;

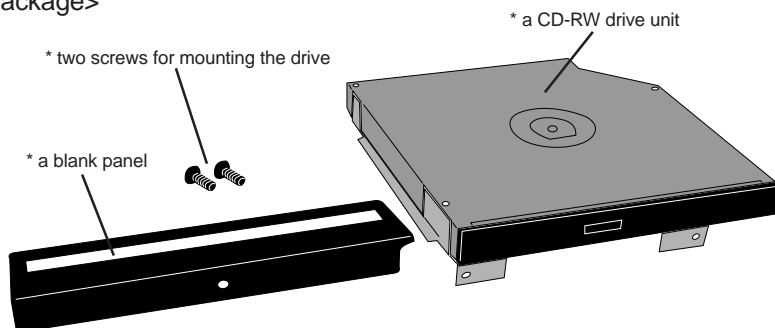
- * save or load your song data to or from a CD-R/CD-RW disc,
- * make your original audio CD using materials recorded on the VF160, or
- * load song data from an audio CD.

This manual describes how to install the CD-1A in the VF160. See the VF160 operation manual for details about how to save/load song data or how to make an audio CD.

<Check the contents in the package>

This product includes the following in the package.

If you cannot find all of the contents listed above, please contact your dealer or local Fostex sales office.



<Usable discs>

With the CD-1A, you can use discs of following types.

<CD-R discs>

Can be used for saving or loading song data, as well as making an audio CD.

Note that you can record data to a CD-R disc only once. You cannot record data to a disc which has been recorded before.



<CD-RW discs>

Can be used for saving or loading song data, as well as making an audio CD.

You can record or erase data to a CD-R disc as many times as wish.



<Audio CD discs>

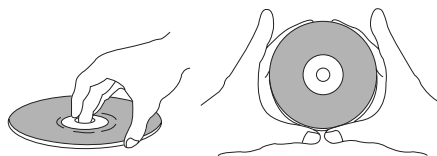
As these are read-only discs, you only can use them for loading track data to the VF160.



See the VF160 operation manual for details about how to save/load song data or how to make an audio CD.

<Notes on handling of discs>

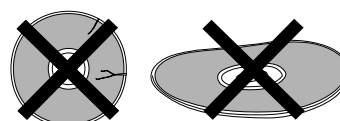
- When handling a disc, be careful not to dirty or scratch the surface of the disc. We recommend that you hold the disc with your finger on the disc edge and center hole.



- Do not stick any paper, etc. on the label side. Also do not scratch the label side, which may cause problems during playback or recording. Use only a felt pen or equivalent for writing any memo on the label side. Using a ball-point pen, pencil, etc. that has a hard tip may damage a disc.



- Never use a warped or chipped disc, which may damage the CD-RW drive.



<Notes on care of disc>

- If there is a dust, dirt or fingerprints on the disc, which may cause error in playback or recording, wipe the disc with a soft, dry cloth or alcohol from the center out. Never wipe from the outside to center.



- Do not use a cleaner for analog discs or antistatic spray, as well as volatile solvents such as benzine, which may damage the disc surface.
- Do not expose any disc to direct sunlight, or leave it in hot, moist or cold places.
- Read the attached manual packed with the disc before using it.

How to install the CD-1A

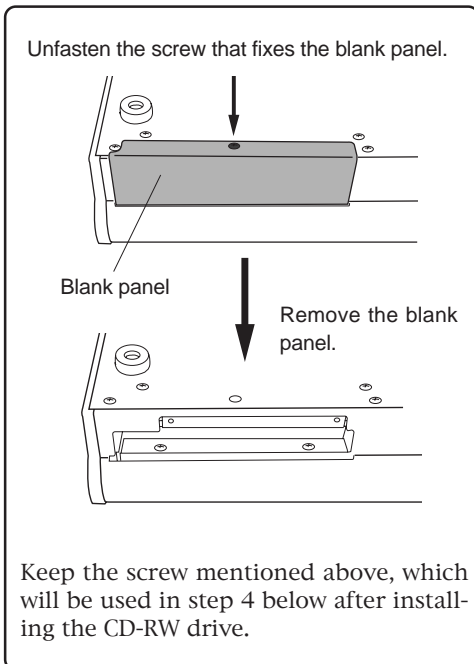
<Notes on installing the CD-RW drive>

- The CD-RW drive is made of precision parts. Do not apply a mechanical shock or use excessive force when installing it.
- Before installing the drive, make sure that the power of the VF-160 is off and the power cord is disconnected.
- Install the drive correctly according to this manual. Note that damage to the drive caused by inappropriate installation is not covered by the guarantee.

- 1** Place the VF160 upside down on a material such as a soft cloth, and unscrew the screw that fixes the blank panel.

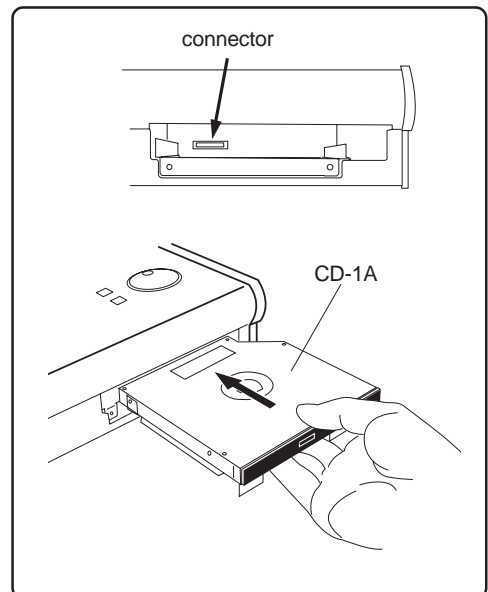
Be careful not to drop the VF160 or give a strong shock to the VF160, which may damage the hard-disk drive built into it.

Keep the blank panel for future use in case you unmount the CD-1A.

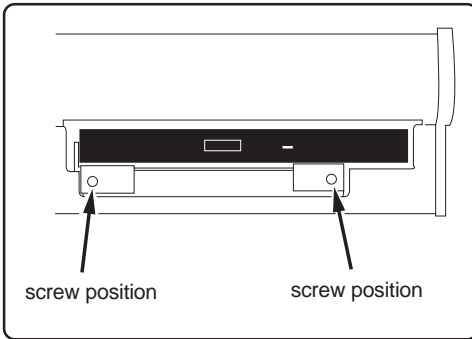


- 2** Turn the VF160 over and insert the CD-1A into the slot on the front panel.

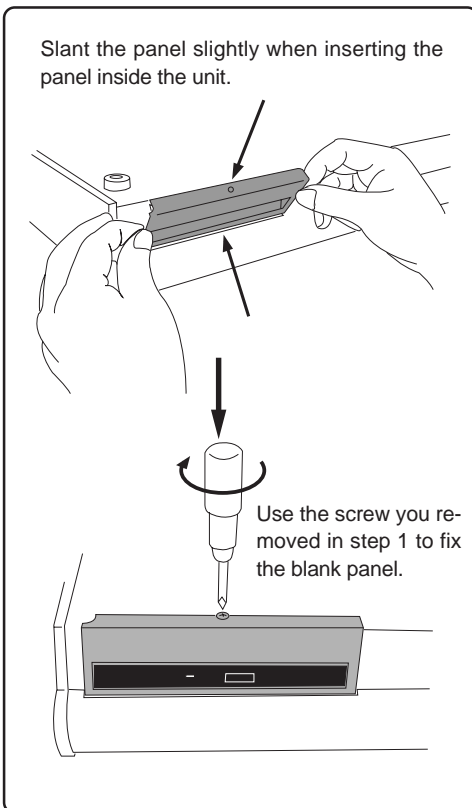
Push the CD-1A firmly, without forcing, so that the connector of the CD-1A fits into its companion in the slot.



- 3** Use two screws supplied with the CD-1A to fix the CD-1A to the VF160 from the front panel. Tighten the screws with a screwdriver.



- 4** Use the screw you removed in step 1 to fix the blank panel supplied with the CD-1A to the front panel.

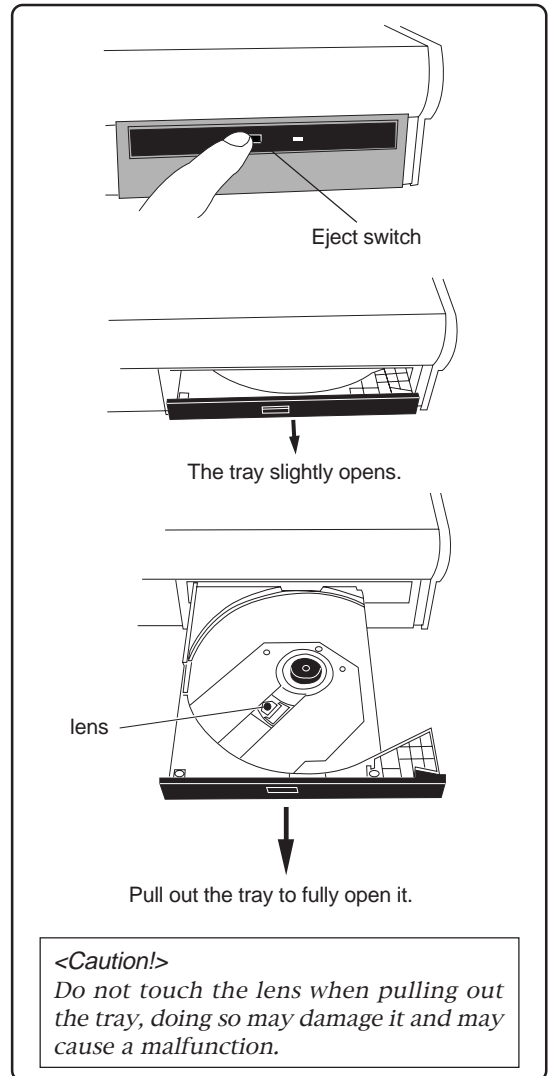


- 5** Connect the power cord of the VF160 and turn on the power. Make sure that the VF160 starts up, and the LED indicator on the front panel of the CD-1A blinks for a few seconds then turns off.

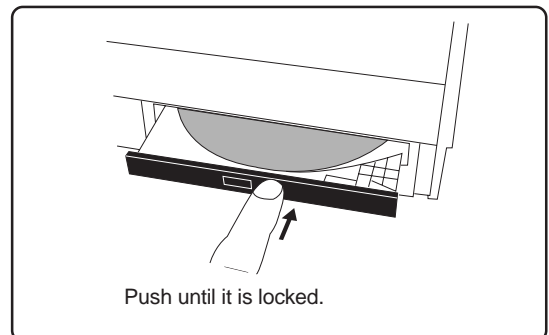
Wait until the VF160 display changes to the Normal display from the start-up display, and then you are ready to operate the CD-1A.

Opening/closing the tray

- To open the tray, press the eject switch lightly. Pressing the switch will open the tray slightly. Then pull out the tray gently by hand to fully open it.



- To close the tray, push the tray inside by hand until locked.



Placing/removing a disc

The following are some notes on placing and/or removing a disc.

<IMPORTANT!>

When placing a disc on the tray, support the tray from the bottom by your hand. If you push the disc to fit into the pivot on the tray without supporting the tray, the tray/drive may be damaged or broken. Also note that the disc must be pushed until it clicks so that it is locked into the pivot securely. Closing the tray without locking the disc may damage the disc.

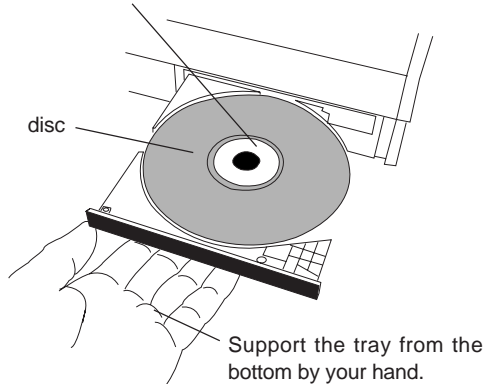
<Note for removing a disc from the tray>

When removing a disc from the tray, also support the tray from the bottom by your hand. Also be careful not to unlock the disc from the pivot forcibly, which may damage the tray.

- Place the disc with the label side up.

When placing the disc, support the tray from the bottom by your hand as shown in the illustration below, and push the disc gently until it clicks so that the disc is locked into the pivot.

Push the disc until it clicks so that the disc is locked into the pivot.



<Caution!>

Do not touch the lens when placing a disc or removing a disc, doing so may damaged may cause a malfunction.

Declaration of EC Directive

This equipment is compatible with the EMC Directive (89/336/EEC) - Directive on approximation of member nation's ordinance concerning the electromagnetic compatibility. This equipment is compatible only when connected to fostex specified product.

The Affect of Immunity on This Equipment

The affect of the European Specification EN50082-1 (coexistence of electromagnetic waves - common immunity specification) on this equipment are as shown below.

In the electrical fast transient/burst requirements, surge, conducted disturbances by radio-frequency fields, power frequency magnetic field, radiate electromagnetic field requirements and static electricity discharging environment, this could be affected by generation of noise.

FOSTEX DISTRIBUTORS LIST IN EUROPE

* Including non-EU countries.

* underlined: contracted distributors (as of August, 2000)

<AUSTRIA>

NAME: A TEC Audio-u. Videogeraete VertriebsgesmbH.
ADD: Im Winkel 5, A-2325 Velm, Austria
TEL: (+43) 2234-74004, FAX: (+43) 2234-74074

<BELGIUM>

NAME: EML Sound Industries NV
ADD: Bijvenestraat 1A, B3500 Hasselt, Belgium
TEL: (+32) 11-232355, FAX: (+32) 11-232172

<DENMARK>

NAME: SC Sound ApS
ADD: Malervej 2, DK-2630 Taastrup, Denmark
TEL: (+45) 4399-8877, FAX: (+45) 4399-8077

<FINLAND>

NAME: Noretron Oy Audio
ADD: P. O. Box 22, FIN-02631 Espoo, Finland
TEL: (+358) 9-5259330, FAX: (+358) 9-52593352

<FRANCE>

NAME: Musikengro
ADD: ZAC de Follieuses, B. P. 609, 01706 Les Echets, France
TEL: (+33) 472 26 27 00, FAX: (+33) 472 26 27 01

<GERMANY>

NAME: Studio sound & Music GmbH
ADD: Industriestrasse 20, D-35041 Marburg, F. R. Germany
TEL: (+49) 6421-92510, FAX: (+49) 6421-925119

<GREECE>

NAME: Bon Studio S. A.
ADD: 6 Zaimi Street, Exarchia, 106.83 Athens, Greece
TEL: (+30) 1-3809605-8, 3302059, FAX: (+30) 1-3845755

<ICELAND>

NAME: I. D. elf. electronic Ltd.
ADD: ARMULA 38 108 REYKJAVIK, ICELAND
TEL: (+354) 588 5010, FAX: (+354) 588 5011

<ITALY>

NAME: General Music S.p.A.
ADD: Via delle Rose, 12 S. Giovanni M. (RN), Italy
TEL: (+39) 0541-959511, FAX: (+39) 0541-957404

<THE NETHERLANDS>

NAME: JEMKE ROOS AUDIO B. V.
ADD: Kuiperbergweg 20, 1101 AG Amsterdam, The Netherlands
TEL: (+31) 20-697-2121, FAX: (+31) 20-697-4201

<NORWAY>

NAME: Siv. Ing. Benum A/S
ADD: P. O. Box 145 Vinderen, 0319 Oslo 3, Norway
TEL: (+47) 22-139900, FAX: (+47) 22-148259

<PORTUGAL>

NAME: Caius - Tecnologias Audio e Musica, Lda.
ADD: Rua de Santa Catarina, 131 4000 Porto, Portugal
TEL: (+351) 2-2086009/2001394,
FAX: (+351) 2-2054760/2087488

<SPAIN>

NAME: Multitracker, S. A.
ADD: C/Garcilaso No.9, Madrid 28010, Spain
TEL: (+34) 91-4470700, 91-4470898, FAX: (+34) 91-5930716

<SWEDEN>

NAME: Professional Television AB
ADD: Kavallerivagen 24, 172 48 Sundbyberg, Sweden
TEL: (+46) 8-59798000, FAX: (+46) 8-59798001

<SWITZERLAND>

NAME: Audio Bauer Pro AG
ADD: Bernerstrasse-Nord 182, CH-8064 Zurich, Switzerland
TEL: (+41) 1-4323230, FAX: (+41) 1-4326558

<UK>

NAME: SCV London
ADD: 3A 6-24 Southgate Road, London N1 3JJ, England, UK
TEL: (+44) 171-923-1892, FAX: (+44) 171-241-3644

Free Manuals Download Website

<http://myh66.com>

<http://usermanuals.us>

<http://www.somanuals.com>

<http://www.4manuals.cc>

<http://www.manual-lib.com>

<http://www.404manual.com>

<http://www.luxmanual.com>

<http://aubethermostatmanual.com>

Golf course search by state

<http://golfingnear.com>

Email search by domain

<http://emailbydomain.com>

Auto manuals search

<http://auto.somanuals.com>

TV manuals search

<http://tv.somanuals.com>