

Model MN-50

MIXER/COMPRESSOR

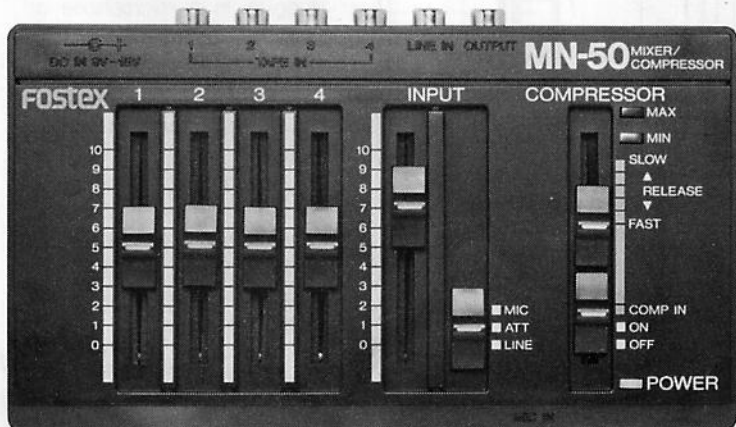
Owner's Manual

Warranty Statement

This product is hereby warranted for one year from the date of purchase stated below, in the country of original purchase. The warranty covers defects in materials and workmanship. It excludes damage and deterioration arising from normal wear, or damage caused by accident, abuse or misuse. It does not apply to the equipment with the serial number defaced, modified or removed.

This warranty is valid provided that the stamp of the shop where you purchased the unit, and the date of purchase appear below.

Model No.MN-50



Fostex®

Retailer's stamp:

Date of purchase:

Fostex®

FOSTEX CORPORATION 512, Miyazawa-cho, Akishima, Tokyo, Japan
FOSTEX CORPORATION OF AMERICA 15431, Blackburn Ave., Norwalk, CA 90650, U.S.A.

© PRINTED IN JAPAN JUL. 1984 8288 0890 00

SAFETY INSTRUCTIONS

WARNING

READ BEFORE OPERATING

1. Read Instructions—All the safety and operating instructions should be read before the appliance is operated.
2. Retain Instructions—The safety and operating instructions should be retained for future reference.
3. Heed Warnings—All warnings on the appliance and in the operating instructions should be adhered to.
4. Follow Instructions—All operating and use instructions should be followed.
5. Water and Moisture—The appliance should not be used near water—for example, near a bathtub, washbowl, kitchen sink, laundry tub, in a wet basement, or near a swimming pool, etc.
6. Ventilation—The appliance should be situated so that its location or position does not interfere with its proper ventilation. For example, the appliance should not be situated on a bed, sofa, rug, or similar surface that may block the ventilation openings, or, placed in a built-in installation, such as a bookcase or cabinet that may impede the flow of air through the ventilation openings.
7. Heat—The appliance should be situated away from heat sources such as radiators, heat registers, stoves, or other appliances (including amplifiers) that produce heat.
8. Power Sources—The appliance should be connected to a power supply only of the type described in the operating instructions or as marked on the appliance.
9. Power Cord Protection—Power supply cords should be routed so that they are not likely to be walked on or pinched by items placed upon or against them, paying particular attention to cords at plugs, convenience receptacles, and the point where they exit from the appliance.
10. Cleaning—The appliance should be cleaned only as recommended by the manufacturer.
11. Nonuse Periods—The power cord of the appliance should be unplugged from the outlet when left unused for a long period of time.
12. Object and Liquid Entry—Care should be taken so that objects do not fall and liquids are not spilled into the enclosure through openings.
13. Damage Requiring Service—The appliance should be serviced by qualified service personnel when:
 - A. The power supply cord or the plug has been damaged, or
 - B. Objects have fallen, or liquid has been spilled into the appliance, or
 - C. The appliance has been exposed to rain, or
 - D. The appliance does not appear to operate normally or exhibits a marked change in performance, or
 - E. The appliance has been dropped, or the enclosure damaged.
14. Servicing—The user should not attempt to service the appliance beyond that described in the operating instructions. All other servicing should be referred to qualified service personnel.

WARNING: To avoid possible electric shock hazard, do not expose this appliance to rain or moisture. There are no user serviceable parts inside. Refer servicing to qualified service personnel.

INTRODUCTION

The Fostex Model MN-50 is a compact 5 x 1 mixer with a built-in compressor, and is powered by a 9 volt battery. It can also be powered by the optional 8070 AC Adaptor.

The MN-50 has one input channel for mic or line, four channels of tape inputs and one output channel.

The mixer blends up to three tape tracks plus live signal during complex ping-pong use, and a variable compressor helps achieve a tight punchy sound with any signal. A useful accessory to get the most from the X-15 or other multitrack recorders, the MN-50 is also a handy device for live performances.

SPECIFICATIONS

Mixer section

Mic input

-66dBV (0.5mV) ~ -10dBV (0.3V)

Line input

-30dBV (30mV) ~ +20dBV (10V)

Tape input (x4)

-16dBV (0.15V) ~ +20dBV (10V)

Output

-20dBV (0.1V)

Frequency response

20Hz ~ 20KHz ±2dB

Distortion

Less than 0.1%

Equivalent input noise

Less than -117dBV

Compressor section

Compressor ratio

6 : 1

Maximum compression

More than 20dB

Attack time

0.5mS

Release time

50mS ~ 1 sec., variable

Power supply — Battery

9V: S-006P, 6F22 or equivalent

Power supply — External sup.

+9V ~ +15V DC

Power consumption

15mA (at 9V), max. 20mA

Physical dimensions

44(H) x 172(W) x 102(D) mm
[1-3/4(H) x 6-3/4(W) x 4(D) in.]

Weight — Unit only

450g [1 lbs.]

Weight — packaged

560g [1-1/4 lbs.]

Specifications subject to change without notice.

THE CONTROLS AND SIGNAL CONNECTIONS

1) TAPE IN Faders (4)

Input signals applied to the TAPE IN connectors (10) are controlled by these faders. When the compressor is operating, these faders also act to control the amount of compression.

2) INPUT Fader

This fader controls the input signal applied to the MIC (8) or LINE (11) jack. When the compressor is operating, this fader also acts to control the amount of compression.

3) INPUT Selector

The three positions of this switch are MIC/ATT/LINE. The MIC and ATT (Attenuator) positions are for signals at the MIC IN jack (8); the LINE position is for signal at the LINE IN jack (11).

4) POWER/COMPRESSOR Switch

When set to ON, both the power and the compressor are switched ON; when set to COMP IN, the compressor is inserted after the mixing point of TAPE IN 1 - 4 and the MIC/LINE INPUT.

5) RELEASE Control

This fader controls the time required for the compressor to return to its original state (no compression).

6) Power LED

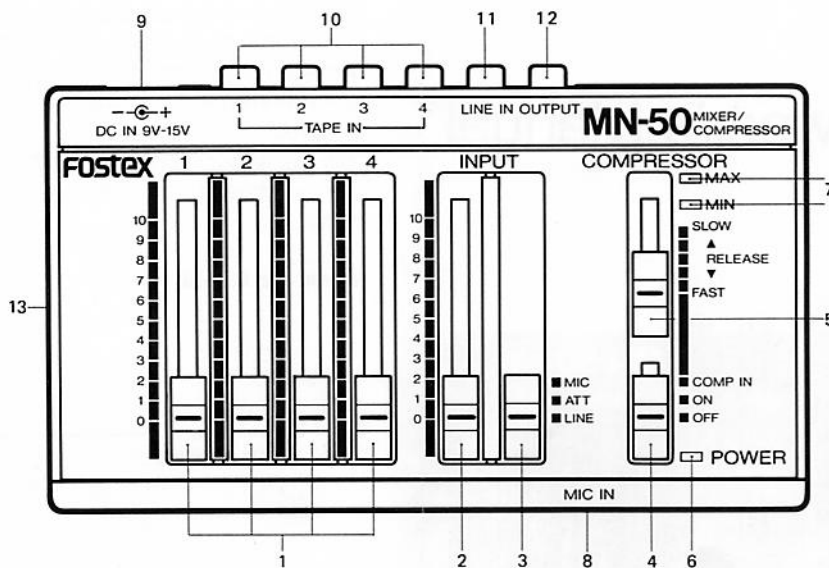
Lights when the power is switched on. Replace batteries when this light becomes dim or dark.

USING THE COMPRESSOR

Set the POWER/COMPRESSOR switch (4) to COMP IN. As you raise the fader, the MIN LED (7) will light, indicating that the compressor is operating.

Raising this fader further will cause the MAX LED (7) to light, indicating that the maximum amount of compression has been reached.

Typically, the level is set where the MAX LED lights infrequently, if at all. The release time (50msec — 1 sec) is adjusted by the fader (5). The setting will differ according to the instrument or vocal, as well as the particular sonic effect you want to hear. Listen, and set it to the best sounding position.



7) GR (Gain Reduction) Indicators

These lights indicate the amount of gain reduction when the compressor is operating. MIN: Lights at the beginning of compression. MAX: Lights at maximum compression.

8) MIC IN Jack

A standard 1/4" phone jack for plugging in a microphone or low level electric and electronic musical instruments.

9) External Power Supply Input

The connector for supplying power from an external source. The voltage applied here must be 9 ~ 15 volts and the inner pole of the connector is the positive (+) side.

10) TAPE IN (4)

Typically, These jacks will be used for multitrack tape inputs, but they can also be used for any line level input.

11) LINE IN

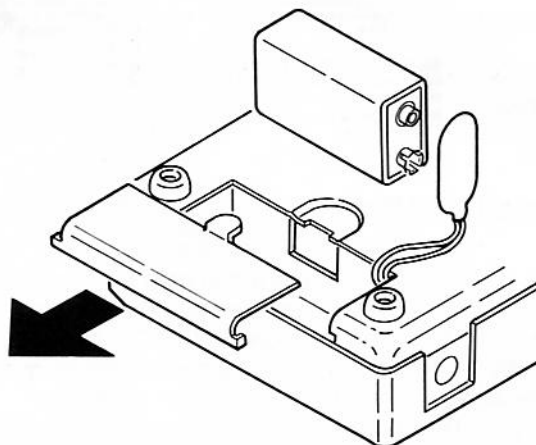
For high output level equipment such as electronic musical instruments, processors, etc.

12) OUTPUT

13) Battery

BATTERY CHANGE

Open the bottom lid and snap on the connector to the battery. *If the mixer is not to be used for a long period of time, remove the battery.



Free Manuals Download Website

<http://myh66.com>

<http://usermanuals.us>

<http://www.somanuals.com>

<http://www.4manuals.cc>

<http://www.manual-lib.com>

<http://www.404manual.com>

<http://www.luxmanual.com>

<http://aubethermostatmanual.com>

Golf course search by state

<http://golfingnear.com>

Email search by domain

<http://emailbydomain.com>

Auto manuals search

<http://auto.somanuals.com>

TV manuals search

<http://tv.somanuals.com>