

# FE103

## Features

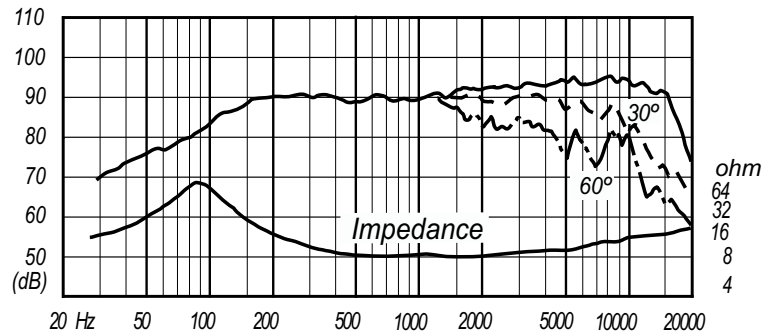
- ◆ 100mm (4 in) cone type full range
- ◆ 8 ohm impedance
- ◆ fo to 18kHz frequency response
- ◆ 89dB sensitivity at 1W/1m (3.3ft)
- ◆ 0.63kg (1.389 lb) net weight



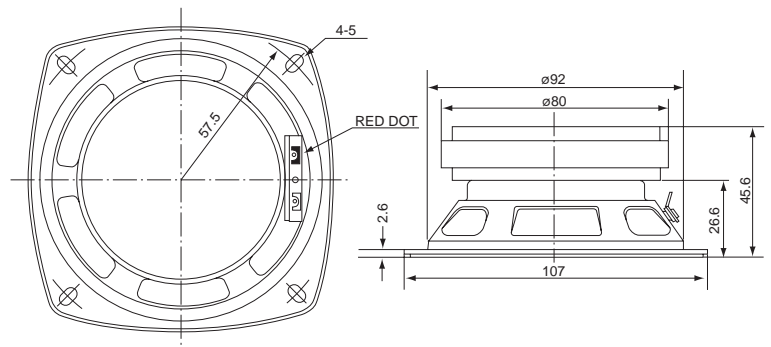
## Specifications & Thiele/Small Parameters

Impedance	: 8 ohm
Minimum Frequency Response	: 80Hz
Reproduction Frequency Response	: fo - 18kHz
S.P.L.	: 89dB/W (m)
Rated Input	: 5W
Music Power	: 15W
Equivalent Diagram Radius	: 40mm (1.575 in)
Equivalent Mass	: 2.7g (0.006 lb)
Magnet Weight	: 193g (0.425 lb)
Net Weight	: 0.63kg (1.389 lb)
Fs	: 80Hz
Re	: 7.1 ohm
Qts	: 0.33
Qms	: 2.17
Qes	: 0.38
Vas	: 6.89 L
Xmax	: 0.35mm (0.014 in)
no	: 0.88%

## Frequency Response / Impedance



## Dimensions & Mounting Information



## Free Manuals Download Website

<http://myh66.com>

<http://usermanuals.us>

<http://www.somanuals.com>

<http://www.4manuals.cc>

<http://www.manual-lib.com>

<http://www.404manual.com>

<http://www.luxmanual.com>

<http://aubethermostatmanual.com>

Golf course search by state

<http://golfingnear.com>

Email search by domain

<http://emailbydomain.com>

Auto manuals search

<http://auto.somanuals.com>

TV manuals search

<http://tv.somanuals.com>