

Features

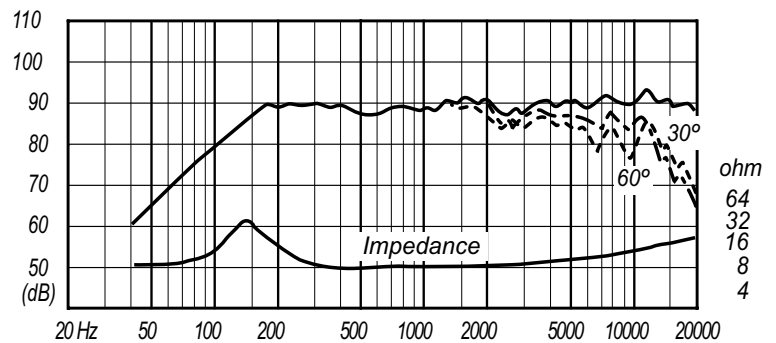
- ◆ 80mm (3 in) cone type full range
- ◆ 8 ohm impedance
- ◆ fo to 20kHz frequency response
- ◆ 88dB sensitivity at 1W/1m (3.3ft)
- ◆ 0.364kg (0.802 lb) net weight



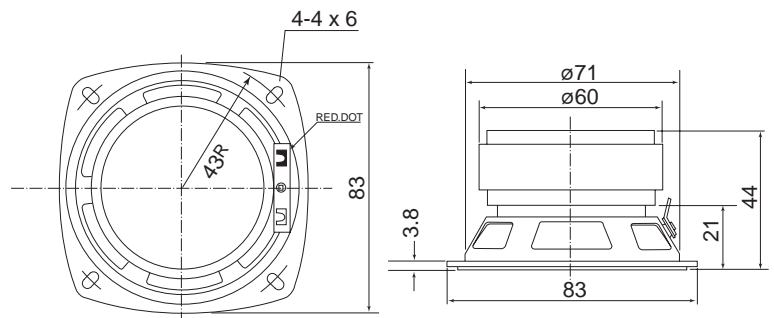
Specifications & Thiele/Small Parameters

Impedance	: 8 ohm
Minimum Frequency Response	: 140Hz
Reproduction Frequency Response	: fo - 20kHz
S.P.L.	: 88dB/W (m)
Rated Input	: 2W
Music Power	: 7W
Equivalent Diaphragm Radius	: 30mm (1.18 in)
Equivalent Mass	: 1.15g (0.003 lb)
Magnet Weight	: 140g (0.309 lb)
Net Weight	: 0.364kg (0.802 lb)
Fs	: 140Hz
Re	: 6.9 ohm
Qts	: 0.72
Qms	: 3.5
Qes	: 0.9
Vas	: 1.11 L
Xmax	: 0.4mm (0.016 in)
no	: 0.33%

Frequency Response / Impedance



Dimensions & Mounting Information



Free Manuals Download Website

<http://myh66.com>

<http://usermanuals.us>

<http://www.somanuals.com>

<http://www.4manuals.cc>

<http://www.manual-lib.com>

<http://www.404manual.com>

<http://www.luxmanual.com>

<http://aubethermostatmanual.com>

Golf course search by state

<http://golfingnear.com>

Email search by domain

<http://emailbydomain.com>

Auto manuals search

<http://auto.somanuals.com>

TV manuals search

<http://tv.somanuals.com>