

FT207D

Features

- 20mm UFLC soft dome tweeter
- Newly designed frame made of nylon resin with gravity material for self vibration suppression
- Unique appearance shortens the distance to woofer for excellent sound image & position

Specifications

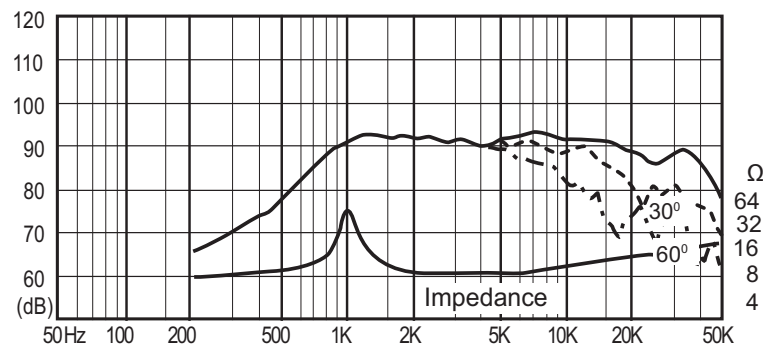
&

Thiele/Small Parameters

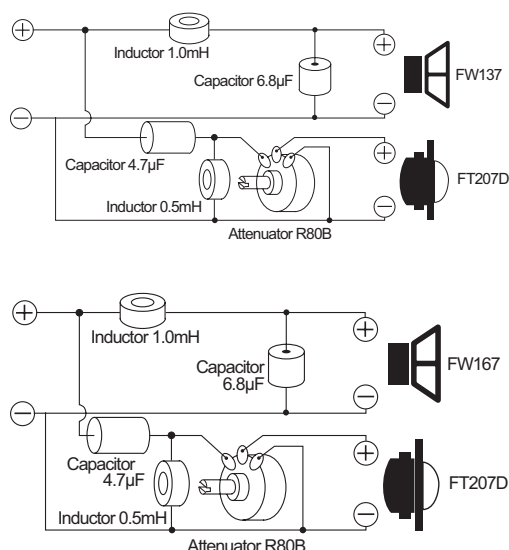
Size	:	20	mm /	0.8in
Voice Coil Diameter	:	20	mm /	0.8in
Cast / Stamped	:			
Impedance	:	8	Ω	
Reproduction Frequency Response	:	2kHz - 40 kHz		
Sound Pressure Level	:	90	dB/W(m)	
Rated Input	:	20	W	
Music Power	:	60	W	
Magnet Material	:	Ferrite		
Magnet Weight	:			
(main)	:	103	g /	0.227 lb
(cancel)	:	80	g /	0.176 lb
Net Weight	:	390	g /	0.860 lb



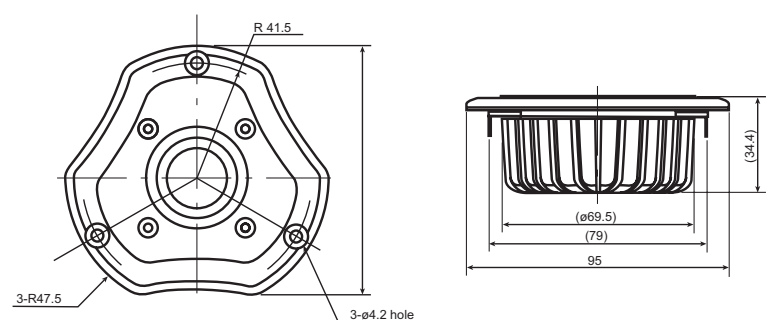
Frequency Response / Impedance



Configuration Example



Dimensions & Mounting Information



Overall Diameter	:	89.4	mm /	3.5	in
Baffle Hole Diameter	:	79	mm /	3.11	in
Depth	:	34.4	mm /	1.3	in

Free Manuals Download Website

<http://myh66.com>

<http://usermanuals.us>

<http://www.somanuals.com>

<http://www.4manuals.cc>

<http://www.manual-lib.com>

<http://www.404manual.com>

<http://www.luxmanual.com>

<http://aubethermostatmanual.com>

Golf course search by state

<http://golfingnear.com>

Email search by domain

<http://emailbydomain.com>

Auto manuals search

<http://auto.somanuals.com>

TV manuals search

<http://tv.somanuals.com>