

FW167

Features

- Kenaf-Cellgaia hybrid cone
- Reasonable Qts value for easy bass-reflex enclosure design
- Newly designed aluminum die-cast frame
- Ferrite magnet & repulsion type magnet shielded circuit

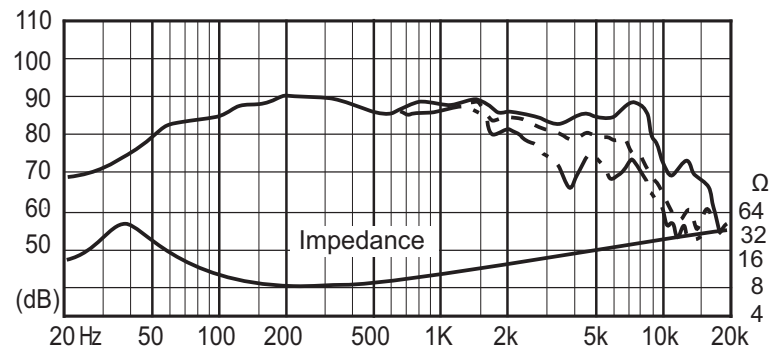
Specifications & Thiele/Small Parameters

Size	:	160 mm / 6 in
Voice Coil Diameter	:	35.5 mm / 1.4 in
Cast / Stamped	:	Cast
Impedance	:	8 Ω
Reproduction Frequency Response	:	fs - 8 kHz
Sound Pressure Level	:	89 dB/W(m)
Rated Input	:	34 W
Music Power	:	100W
Magnet Material	:	Ferrite
Magnet Weight	:	
(main)	:	440 g / 0.970 lb
(cancel)	:	330 g / 0.728 lb
Net Weight	:	2,659 g / 5.862 lb

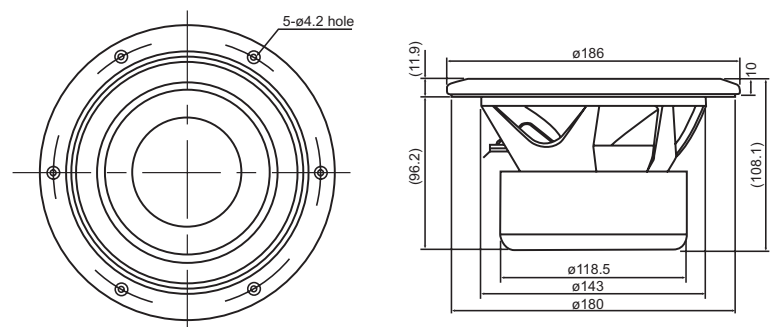
a	:	64 mm
Sd	:	0.0128 m ²
Zn	:	8 Ω
Fs	:	40 Hz
Re	:	7.1 Ω
Le	:	0.071 mH
Qms	:	2.6
Qes	:	0.4
Qts	:	0.36
Mms	:	14.9 g
BL	:	8.2 Telsa/m
Vas	:	25.22 L
Xmax	:	1.5 mm
Eff/η0	:	0.43 %
Cms	:	0.0011 mm/N
EBP	:	100



Frequency Response / Impedance



Dimensions & Mounting Information



Overall Diameter	:	186 mm / 7.3 in
Baffle Hole Diameter	:	151 mm / 5.9 in
Depth	:	108.1 mm / 4.2 in

Free Manuals Download Website

<http://myh66.com>

<http://usermanuals.us>

<http://www.somanuals.com>

<http://www.4manuals.cc>

<http://www.manual-lib.com>

<http://www.404manual.com>

<http://www.luxmanual.com>

<http://aubethermostatmanual.com>

Golf course search by state

<http://golfingnear.com>

Email search by domain

<http://emailbydomain.com>

Auto manuals search

<http://auto.somanuals.com>

TV manuals search

<http://tv.somanuals.com>