

T250D

Features

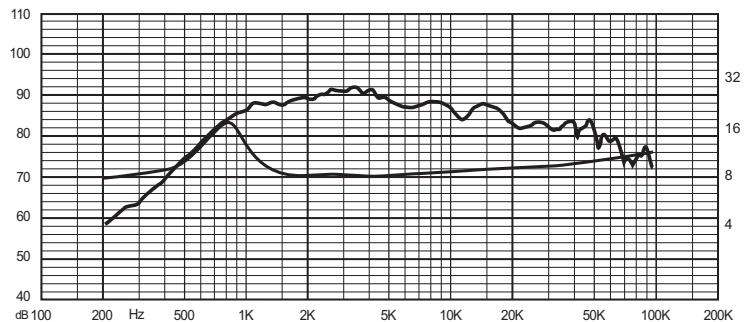
- The world first dome super tweeter employing $\varnothing 25\text{mm}$ pure magnesium diaphragm.
- Low distortion and high power magnetic circuit with combination of the copper-plating yoke/plate and the tripled $\varnothing 90\text{mm}$ large ferrite magnets.
- Up down roll tangential surround is to realize less anti-resonance and superior amplitude characteristic.
- Wide range and high input design.
- High-density resin frame with the shape designed to minimize the distance between the tweeter and a woofer for more accurate sound image.



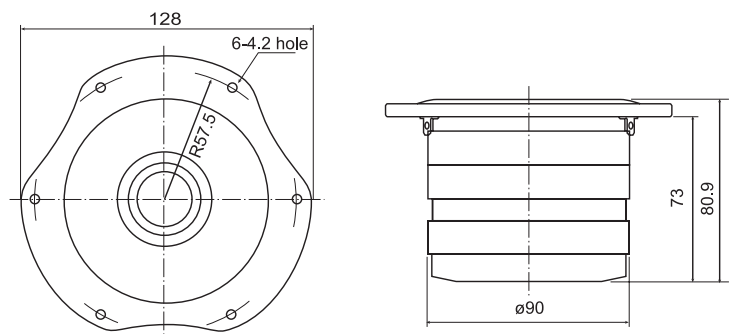
Specifications

| | |
|---------------------------------|------------------------------|
| Impedance | : 8Ω |
| Reproduction Frequency Response | : 900Hz - 50kHz |
| S.P.L. | : 90dB/W (1m) |
| Power Handling | : 150W (Music) |
| Recommended Crossover Frequency | : 1.5kHz or more (-12dB/oct) |
| Magnet Weight | : 329g x 1, / 403g x 2 |
| Net Weight | : 2,600g |

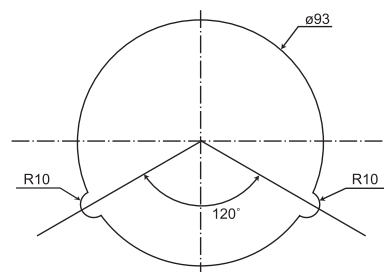
Frequency Response



Dimensions



Mounting Information



Free Manuals Download Website

<http://myh66.com>

<http://usermanuals.us>

<http://www.somanuals.com>

<http://www.4manuals.cc>

<http://www.manual-lib.com>

<http://www.404manual.com>

<http://www.luxmanual.com>

<http://aubethermostatmanual.com>

Golf course search by state

<http://golfingnear.com>

Email search by domain

<http://emailbydomain.com>

Auto manuals search

<http://auto.somanuals.com>

TV manuals search

<http://tv.somanuals.com>