

Operating and Exchange Instructions for Franke FRC05 Cartridges Part No. W9223028 For use in Filter Model No. FRCNSTR/ FRC05

The system is tested for the following performance claims as verified and substantiated by test data:

- Chlorine Reduction (Taste & Odour)
- Particulate reduction;
- Turbidity reduction;
- Cyst reduction (including Giardia and live Crypto-sporidium);

Systems tested for Cyst Reduction may be used on disinfected water that may contain filterable Cysts. Do not use where water is microbiologically unsafe or of unknown quality without adequate disinfection before or after the system.

Cartridge Capacity: 1000 gallons

Rated Service Flow: 1.9 litres/min. (0.5 gallons/min)

Fitting Instructions

Detailed information on the removal and re-installation of the filters is supplied with your filter housing, however changing the filter cartridge is a simple matter:

1. Shut off the main water supply, and turn the filtered drinking water faucet to the 'on' position, to release any pressure remaining in the system.
2. Position a suitable container beneath the housing to catch any residual water. Unscrew the filter body from the cap, empty the water into the container and place the body to one side.
3. Unscrew the old filter cartridge from the cap, wrap in a plastic bag or newspaper and discard with your household waste.
4. Moisten the 'o' rings on the new cartridge with clean water before screwing the cartridge into the cap.

DO NOT use any greases or solvents containing hydrocarbons to lubricate the threads or seals on the unit. Also avoid the use of strong detergents or oxidising agents when cleaning the housing.

Please note: The cartridge is made of ceramic and therefore fragile and can easily be damaged if not handled carefully. Care should be taken when screwing the cartridge into the housing cap. Be careful not to crosstread or overtighten the cartridge.

5. Carefully screw the filter body into the filter cap and wipe the housing clean with a damp cloth.

The filter should now be ready for pressurisation.

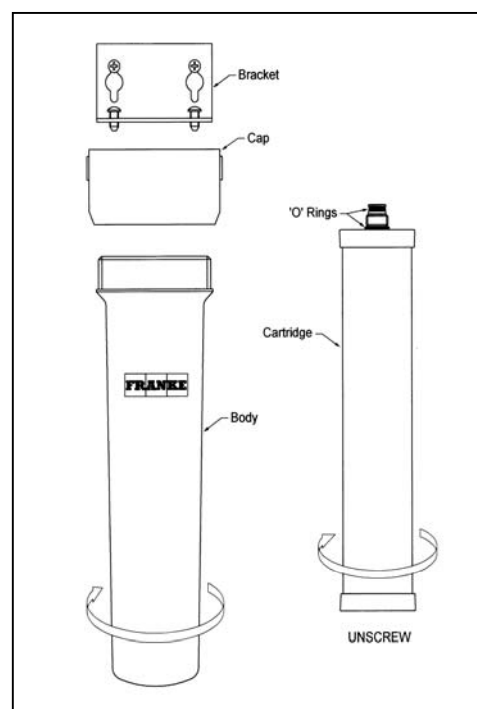
6. With the tap/faucet in the on position, gradually turn the main water supply on until the flow from the tap has been stabilized.
7. Close the filtered water faucet and ensure that there is no water leaking from the system joints.
8. When the system has been confirmed watertight, open the tap and allow the water to run for a minimum of 10 minutes to remove any loose particles resulting from the manufacture of the cartridge.
9. Additionally, to allow the filter to be conditioned to the source water, allow the unit to stand unused for 24 hours and then flush for a further 10 minutes.
10. The filter is now ready for use and the filtered water can be used for drinking and preparing food.

When Leaving on Vacation and to Winterize the Unit

If you plan to be away from home for extended periods, or the filter housing may be subject to the risk of freezing, carry out stages 1,2 and 5. When the risk of freezing subsides and you wish to use the system again, turn the faucet on. Gradually introduce the main water supply until the flow from the tap has stabilized. Run the filtered water for 10 minutes to flush the system and check carefully for leaks. The system should now be ready for use.

Allowing the unit to freeze will invalidate the product warranty.

For full warranty information please visit www.frankeksd.com



Ltd for:
Franke
Kitchen Systems Division
Franke Luxury Products Group
3050 Campus Drive, Suite 500
Hatfield PA 19440, USA
Phone: 800 6265771
Website: www.frankeksd.com
Follow us on Twitter: twitter.com/FrankeCP

Free Manuals Download Website

<http://myh66.com>

<http://usermanuals.us>

<http://www.somanuals.com>

<http://www.4manuals.cc>

<http://www.manual-lib.com>

<http://www.404manual.com>

<http://www.luxmanual.com>

<http://aubethermostatmanual.com>

Golf course search by state

<http://golfingnear.com>

Email search by domain

<http://emailbydomain.com>

Auto manuals search

<http://auto.somanuals.com>

TV manuals search

<http://tv.somanuals.com>