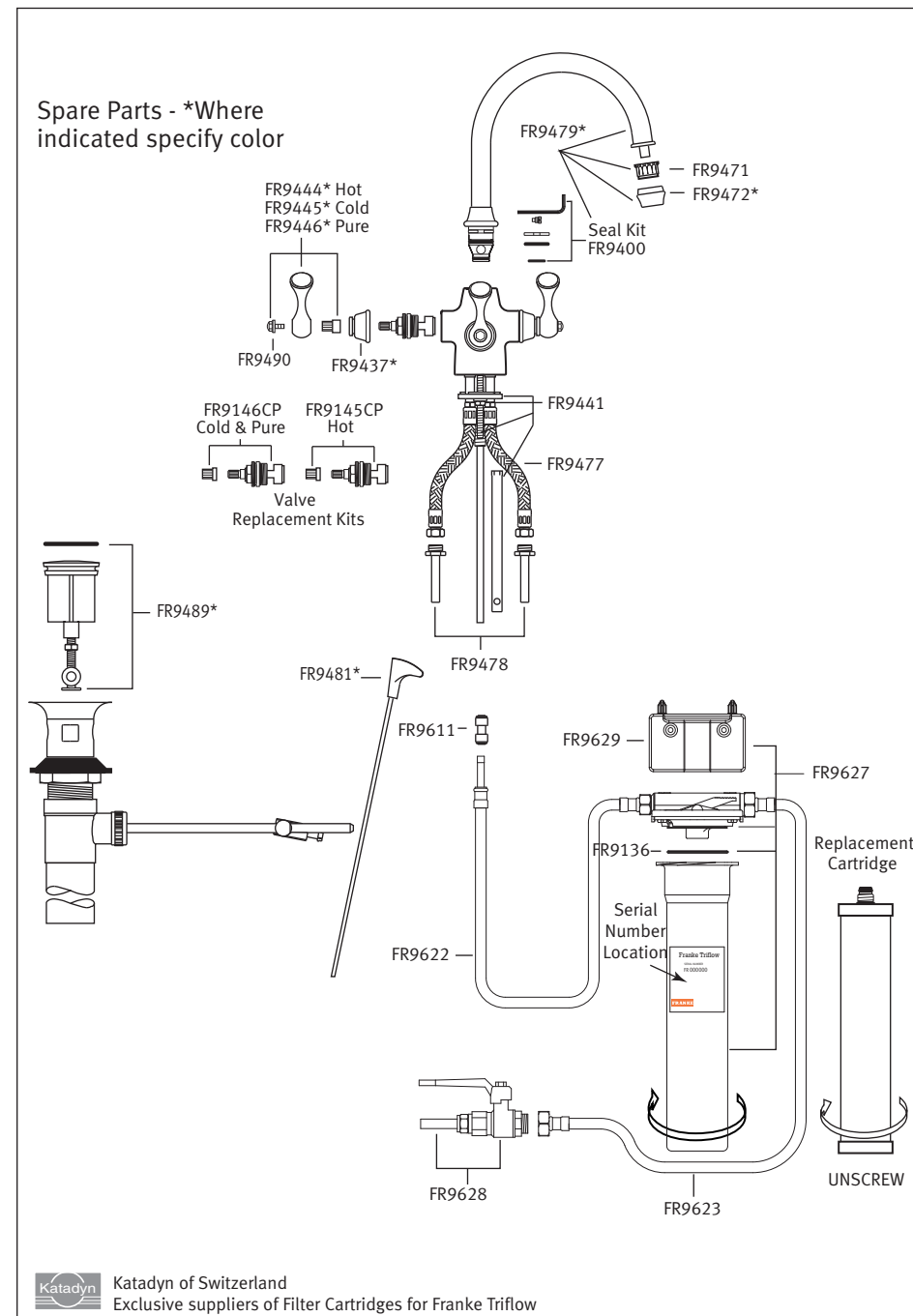


Franke Triflow

Spare Parts & Warranty

Spare Parts

For out-of-warranty maintenance and repairs, other than routine cartridge changes, we recommend you employ a Registered Plumber.



Limited Warranty

Congratulations on the purchase of a Franke product. Franke is one of the world's largest manufacturers of kitchen systems. Our products are manufactured using the highest degree of technology quality and design. As a result we are proud to offer the following warranty.

Franke inc. Kitchen Systems Division, warrants the quality of its water dispensing systems to be free from manufacturing defects for a period of **five** years from the date of purchase.

This warranty applies only to the original owner, providing the product has been installed in accordance with our installation instructions, used as recommended and in a normal residential application. In the event of a warranty claim, the owner will be required to provide proof of purchase. This warranty covers all components necessary to restore the product to good working condition. Franke reserves the right to inspect the installation prior to the replacement of the product or component part.

This warranty does not cover misuse or abuse, accidental damage, scuffs or scratches, abnormal usage, negligence or damage caused by improper maintenance or cleaning. Normal wear of parts is excluded from warranty. Damage caused by impurities or acts beyond our control are not covered. Any product or part which has been repaired or altered in any manner outside of Franke's factory, unless previously authorized in writing by Franke, will void warranty. **Any replacement excludes transportation and any labor re-installation costs.** This warranty does not allow recovery of incidental or consequential damages such as loss of use, delay, property damage or other consequential damage, and Franke accepts no liability for such damages.

The Franke warranty is limited to the above condition and to the warranty period specified herein and is exclusive. Franke **DISCLAIMS** all other warranties, expressed or implied, including the **IMPLIED WARRANTIES OF MERCHANTABILITY AND/OR FITNESS FOR A PARTICULAR PURPOSE.** This warranty gives you specific legal rights which may vary from state to state.

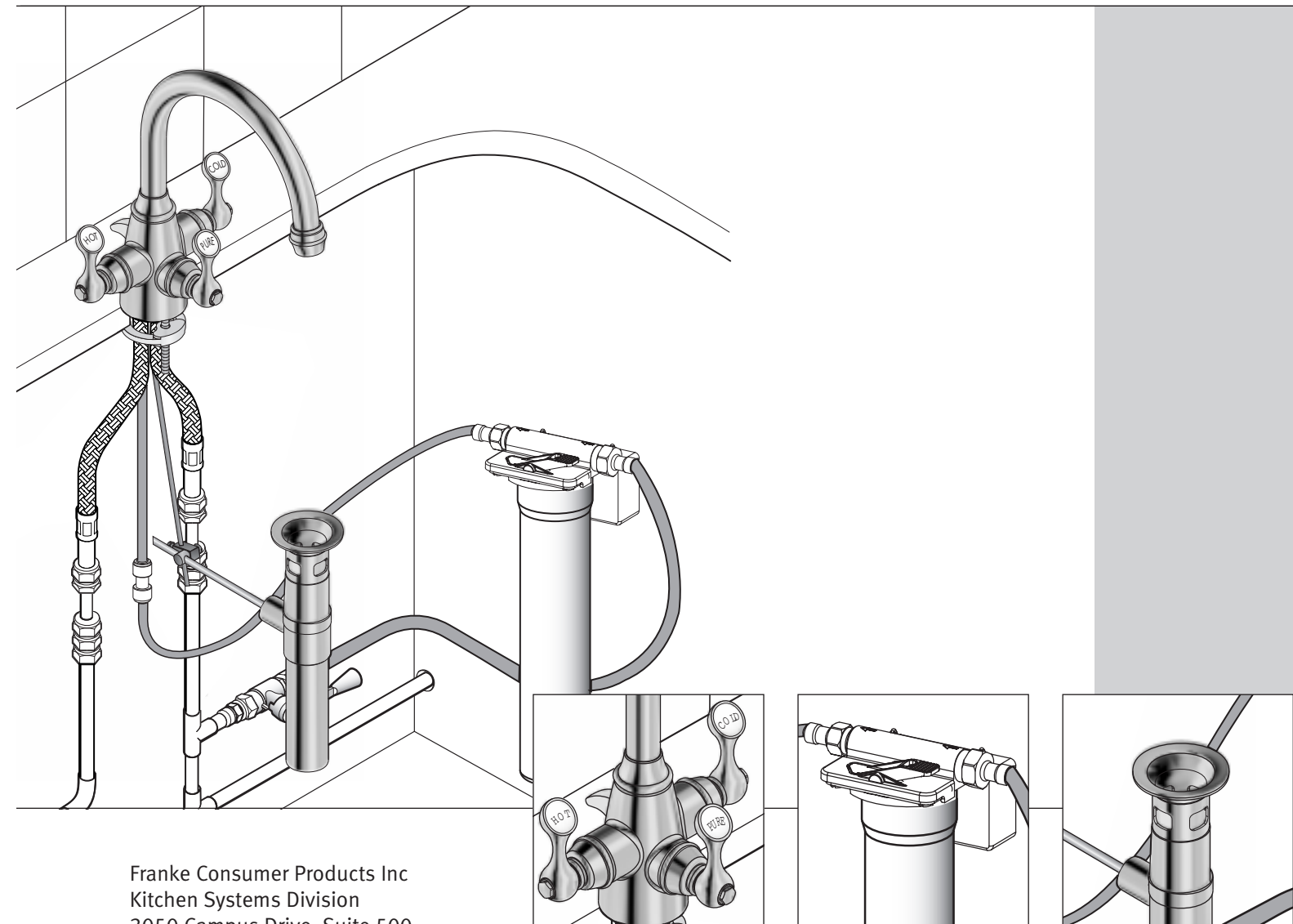
What you must do: The purchaser should promptly complete the product registration card and mail directly within two weeks of the installation date. Failure to do so may void this warranty.

Cartridge life will depend upon input water quality, pressure and usage rates and is not covered by this warranty. All projections are estimates and are not guarantees of any particular level or range of performance or product life.

Franke Triflow Bath

Installation and User Guide

TFB



Franke Consumer Products Inc
Kitchen Systems Division
3050 Campus Drive, Suite 500
Hatfield, PA19440
USA

Phone (1) 800 626 5771

Fax (1) 215 822 5873

fks.filter@franke.com

www.frankeksd.com



Please register this product.

Registration will ensure that you are notified when the cartridge in your purifier is due for replacement.

You can register your Franke Triflow in the following ways:

- Complete the registration card enclosed or
- Email: fks.filter@franke.com
- Online: www.frankeksd.com
- Phone (1) 800 626 5771
- Fax (1) 215 822 5873

Franke Triflow

Introduction and Installation

Introduction The Franke Triflow is manufactured to exacting standards. Carefully installed and maintained it will give many years of trouble free use.

Ideally installed on an equal pressure system. The Triflow allows Hot and Cold water to mix in the body. If the supplies are imbalanced, control of the mixing temperature may be affected. Check valves should be fitted to the supplies when used on an imbalanced system.

Before you proceed...We recommend you engage the services of a registered plumber to install this product.

Read the instructions and diagrams in this leaflet carefully.

Faucet installation

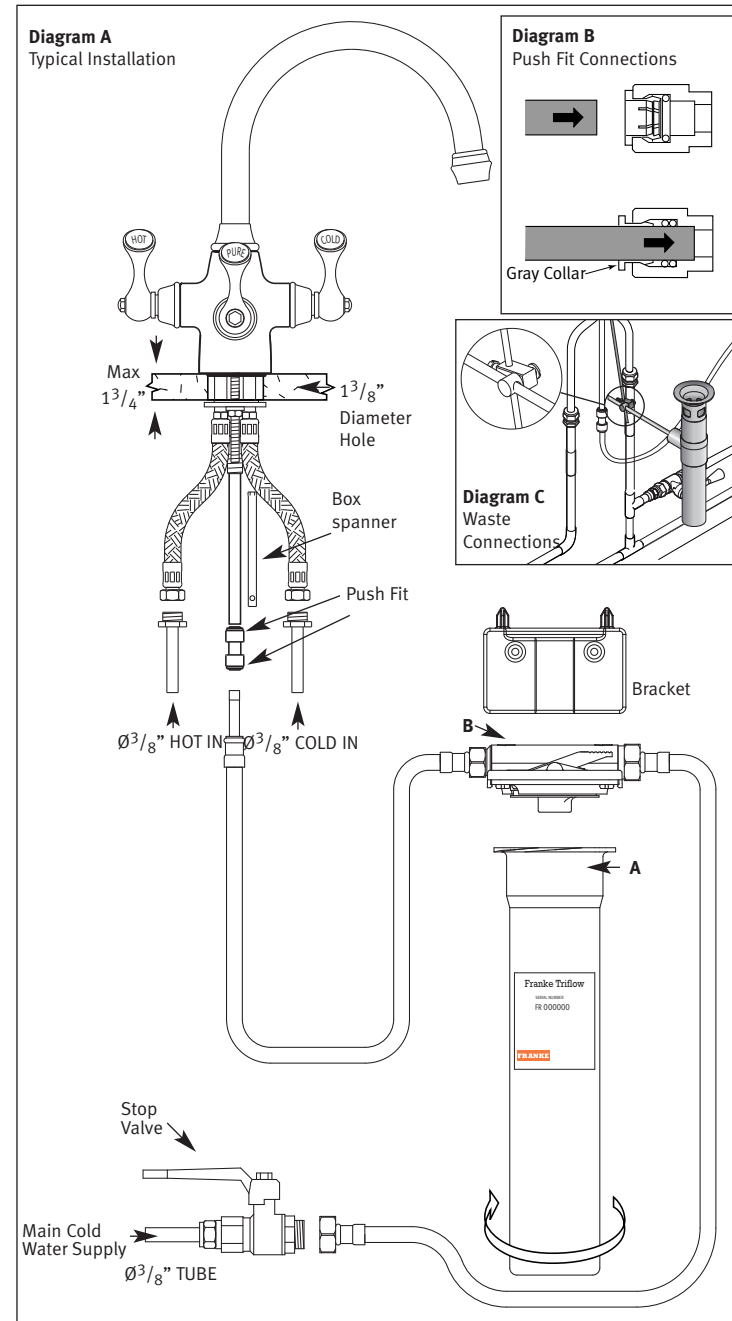
- 1 The faucet requires a $\text{Ø}1\frac{3}{8}$ " hole in the mounting surface.
- 2 Remove the securing nut, washer and 'C' clamp from the mounting stud.
- 3 Insert the tails through the hole, ensuring that the rubber seal remains in place between the base and the work surface.
- 4 From the underside of the work surface replace and fully tighten the 'C' clamp, washer and nut onto the mounting stud.
- 5 Connect the hot and cold supplies
- 6 Make sure that the gray collar is in place in the end of the push fit connector supplied and push onto the filtered water tube. Check that it is pushed fully home to ensure a watertight seal.
- 7 After installation, if building work is to be carried out nearby, the faucet should be covered to prevent paint, tile adhesive etc, damaging the surface finish. This is particularly important for the finishes other than chrome.

Filter system installation

- 1 **Make sure** to remove any protective packing from around the cartridge and remove the plastic plugs from the inlet and outlet of the filter cap.

Please note: The cartridge is fragile and may break if mishandled or dropped.

- 2 Undo the two halves of the filter housing. Hold Cap 'B' whilst pressing down on the safety clip and unscrew Housing 'A' a quarter turn in the direction of the arrow shown. Place housing 'A' to one side.
- 3 Wet the two 'O' seals on the threaded end of the new cartridge, then screw it firmly into the female thread in the Cap 'B'.
- 4 Fit Cap 'B' and Housing 'A' back together and turn a quarter turn in the opposite direction of the arrow shown to lock.
- 5 Position the stop valve to allow easy access to turn off water supply.
- 6 Position the filter to allow easy access for future cartridge changes.
- 7 Position the tubes neatly to avoid side strain and the possibility of accidental damage.
- 8 Water must flow through the filter in the direction of the arrow on the top of cap.



- 9 For optimum filter performance use the stop valve to set the filtered water flow to **2 3/4 - 3 1/2 pints/min (1 1/2 - 2 liters/min)**.
- 10 **Check system carefully for leaks.**
- 11 Please **ensure** that the installation complies with the local plumbing codes.
- 12 If you need to remove the hose from the push fit connector, (see diagram B) use your thumb and forefinger to hold in the collar while gently pulling the tube out.

Franke Triflow

Care & Maintenance

To Winterize the Unit

If you plan to be away from home for extended periods, or the filter housing may be subject to the risk of freezing, the following procedure must be carried out:

- 1 Shut-off the mains water supply. A stop valve was supplied with the system for this purpose, and will be found located on the adjacent pipework.
- 2 Turn the Pure valve on the faucet to the ON position. This will confirm that the water supply is turned off, and release the pressure in the system.
- 3 Conveniently position a suitable receptacle to catch residual water from the housing. Lift the filter unit from its retaining bracket. Holding Cap 'B' press down on the safety clip and unscrew Housing 'A' a quarter turn in the direction of the arrow shown. Slide housing off of filter cartridge and place to one side.
- 4 Wash housing 'A' in warm soapy water, then rinse well.
- 5 Fit Cap 'B' and Housing 'A' back together and turn a quarter turn in the opposite direction of the arrow shown to lock.
- 6 When the risk of freezing subsides and you wish to use the system again, open the mains supply to the filter. Run the filtered water for 2 minutes to flush the system and check carefully for leaks. The system should now be ready for use.

Allowing the unit to freeze will invalidate the product warranty.

Operation

A unique feature of the Franke Triflow is the three operating valves – one each to control the flow of hot, cold and filtered water. Each handle is marked: hot, cold and pure. The flow from full-off to full-on is adjusted by simply rotating the handles a quarter turn – forward for hot and cold, to the left for filtered water.

Important: Each time the filtered water is turned on, allow it to run for a few moments to expel the small amount of residual water in the pipework between the filter and the faucet.

The Triflow Faucet

Cleaning – The Franke Triflow 3 way faucet itself requires little routine maintenance beyond the occasional cleaning of the plated finish with a soft cloth and warm soapy water, followed by a polish with a soft cloth. Do not under any circumstances use abrasive liquids, powders, or scouring pads to clean the faucet. You will damage the plated finish and void your guarantee.

The aerator screen fitted to the hot/cold water outlet may need occasional cleaning. This will be evident when the water flow slows down to an unacceptable level. This is accomplished by unscrewing the outlet in an anti clockwise direction, then rinse thoroughly in clean water and re-install.

Important Notice

When installed in accordance with these installation instructions, the Franke Triflow System will give many years of trouble free service. **Failure to correctly install and maintain this product will invalidate the warranty,** we therefore recommend that this product is installed by a registered plumber.

DO NOT connect this product to the mains water supply, where the supply pressure exceeds 100psi (7 bar). If in any doubt, please ask your registered plumber to check the water pressures. **Failure to comply will invalidate the product warranty.**

DO NOT use any greases or solvents containing hydrocarbons to lubricate the threads on the filter housing unit. **Failure to comply will invalidate the product warranty.**

ENSURE that the filter cartridge is changed at the recommended intervals. **Failure to comply may invalidate the product warranty.**

INCORRECT INSTALLATION OF THIS PRODUCT WILL IMPAIR ITS

PERFORMANCE AND IN SEVERE CASES COULD CAUSE THE SYSTEM TO FAIL, LEADING TO FLOODING.

General Information

- 1 The Franke Triflow is not a water softener, and unlike some jug filters, does not remove the minerals essential to good health and taste. In hard water areas, calcium, perhaps the most essential of these minerals forms a precipitate when the water is boiled. Most commonly this forms a scale in the kettle, and in extreme cases, appears as white flecks in the boiled water or as a surface film on tea and coffee.

A convenient remedy for this problem is to use one of the new generation of kettles now available. These kettles incorporate a special screen which removes the precipitate but not essential minerals thereby complementing the use of your Triflow system.

- 2 If you plan to be away from home for more than two or three days, we recommend turning off the main water supply to the filter. Once turned on again, allow the water to run for a few moments before use.
- 3 If you plan to be away from home for extended periods, or the filter housing may be subject to the risk of freezing, you must turn off the main water supply to the filter and remove residual water from the filter housing (see cartridge replacement sheet). Once turned on again, allow the filtered water to run for two minutes before use.
- 4 Take care when moving things under the sink unit or you may cause a leak by damaging the plastic tubes leading to and from the filter housing.
- 5 When comparing the taste of the filtered water with the untreated water use a clean glass and drink the filtered water first.

Free Manuals Download Website

<http://myh66.com>

<http://usermanuals.us>

<http://www.somanuals.com>

<http://www.4manuals.cc>

<http://www.manual-lib.com>

<http://www.404manual.com>

<http://www.luxmanual.com>

<http://aubethermostatmanual.com>

Golf course search by state

<http://golfingnear.com>

Email search by domain

<http://emailbydomain.com>

Auto manuals search

<http://auto.somanuals.com>

TV manuals search

<http://tv.somanuals.com>