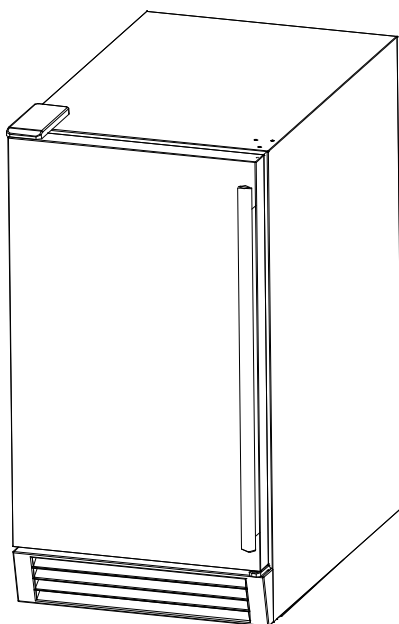


FranklinChef®

Automatic Undercounter Ice Maker
Máquina automática para hacer hielo



User's Manual (pages 1 - 26)
Manual del usuario (páginas 27 a 52)

Be sure ice maker is standing upright 24 hours prior to plug-in.
Asegúrese que la máquina esté parada en posición vertical 24 horas antes que sea conectada.

Franklin Industries LLC

4100 First Avenue

Brooklyn, NY 11232-3321

Tel.: 1-888-424-8278

E-mail: customerservice@franklinchef.com

Model/Modelo
FIM44

TABLE OF CONTENTS

	Page
ICE MAKER SAFETY	2
IMPORTANT SAFEGUARDS	3 - 5
TECHNICAL INFORMATION	5
INTRODUCTION	6
COMPONENT LOCATIONS	6 - 7
ICE MAKER INSTALLATION	7 - 14
Unpacking	7 - 8
Location requirements	8 - 9
Electrical requirements	9 - 10
Leveling the ice maker	10 - 11
Reversing the door swing	11
Water supply	12
Drain	12 - 14
Installation types	14
OPERATION	15 - 18
Final check list before operation	15
Operating method	15 - 16
How the machine makes ice	16
How the machine uses the water	16 - 17
How to adjust the capacity of the ice storage bin	17
Normal sounds	17 - 18
Preparing the ice maker for long storage	18
CLEANING AND MAINTENANCE	19 - 23
Exterior cleaning	19 - 20
Interior cleaning	20
Condenser cleaning	20 - 21
Water distribution tube cleaning	21
Ice-making system cleaning	21 - 22
Control Panel	22 - 23
MAJOR FUNCTIONS	23
TROUBLESHOOTING	24 - 25
LIMITED WARRANTY	26

We reserve the right to make changes in specifications and design without prior notice.

ICE MAKER SAFETY

Your safety and the safety of others are very important.

We have provided many important safety messages in this manual and on your appliance. Always read and obey all safety messages.



This is the Safety Alert Symbol. This symbol alerts you to potential hazards that can injure or kill you and others.

All safety messages will follow the Safety Alert Symbol and either the words **"DANGER"**, **"WARNING"** OR **"CAUTION"**.

 **DANGER** 

DANGER means that failure to heed this safety statement may result in severe personal injury or death.

 **WARNING**

WARNING means that failure to heed this safety statement may result in extensive product damage, serious personal injury or death.

CAUTION

CAUTION means that failure to heed this safety statement may result in minor or moderate personal injury, or property or equipment damage.

All safety messages will alert you to what the potential hazard is, tell you how to reduce the chance of injury, and let you know what can happen if the instructions are not followed.

IMPORTANT SAFETY INSTRUCTIONS

WARNING: To reduce the risk of fire, electric shock or injury when using your ice maker, follows these basic precautions:

- Plug into grounded 3-prong outlet.
- Do not remove grounding prong.
- Do not use an adapter.
- Do not use an extension cord.
- Disconnect power before cleaning.
- Disconnect power before servicing.
- Replace all panels before operating.
- Use two or more people to move & install ice maker.

SAVE THESE INSTRUCTIONS

IMPORTANT SAFEGUARDS



Before the ice maker is used, it must be properly positioned and installed as described in this manual, so read the manual carefully. Franklin Industries strongly recommends that you have a professional install your new machine.

The warranty may be affected or voided by an incorrect installation. To reduce the risk of fire, electrical shock or injury when using the ice maker, follow basic precautions, including the following:

DANGER

- Plug into a grounded 3-prong outlet; do not remove grounding prong, do not use an adapter, and do not use an extension cord.
- It is recommended that a separate circuit, serving only for your ice maker, be provided. Use receptacles that cannot be turned off by a switch or pull chain.
- Do not connect or disconnect the electric plug when your hands are wet.
- Never unplug the ice maker by pulling on the power cord. Always grip the plug firmly and pull straight out from the outlet.
- Never clean ice maker parts with flammable fluids. Do not store or use gasoline or other flammable vapors and liquids in the vicinity of this or any other appliances. The fumes can create a fire hazard or explosion.
- Before proceeding with cleaning and maintenance operations, make sure the power line of the unit is disconnected and the water line is shut off.
- Before operating, pull all panels back into place.
- Never allow children to operate, play with or crawl inside the ice maker.
- Do not touch the evaporator with your hand when the machine is operating.
- Unplug the ice maker or disconnect power before cleaning or servicing. Failure to do so can result in electrical shock or death.
- Do not attempt to repair or replace any part of your ice maker unless it is specifically recommended in this manual. All other servicing should be referred to a qualified technician.

WARNING

- Use two or more people to move and install ice maker. Failure to do so can result in back or other injury.
- To ensure proper ventilation for your ice maker, the front of the unit must be completely unobstructed. Choose a well-ventilated area with temperatures above 50°F (10°C) and below 100°F (38°C). This unit MUST be installed in an area protected from the elements, such as wind, rain, water spray or drips.
- The ice maker should not be located next to ovens, grills or other sources of high heat.
- The ice maker must be installed with all electrical and water connections in accordance with state and local codes. A standard electrical supply (115 V AC, 60 Hz, 15 A), properly grounded in accordance with the National Electrical Code and local codes and ordinances, is required.

- Do not kink or pinch the power supply cord between the ice maker and cabinet.
- The fuse (or circuit breaker) size should be 15 amperes.
- It is important for the ice maker to be leveled in order to work properly. Otherwise water may not flow properly through the evaporator (ice mold). The ice production will be less than normal. You may need to make several adjustments to level it.
- All installations must be in accordance with local plumbing code requirements.
- Make certain that hoses are not pinched, kinked or damaged during installation.
- Check for leaks after water line is connected.
- Although the unit has been tested and cleaned at the factory, due to long-term transit and storage, the first batch of cubes must be discarded.
- Remove the packing materials and clean the ice maker before using .
- Turn on the water supply tap before switching on the ice maker. Never turn the water supply tap off when the ice maker is working.
- Except to take ice from the unit, keep the door closed in order to reduce ice melting and to promote proper ice formation.
- If the ice maker will not be used for a long time, before the next use it must be thoroughly cleaned. Follow carefully any instructions provided for cleaning or use of sanitizing solution. Do not leave any solution inside the ice maker after cleaning.
- Do not touch the condenser fins. They are sharp and can be easily damaged.
- DO NOT use solvent-based cleaning agents or abrasives on the interior. These cleaners may transmit taste to the ice cubes, or damage or discolor the interior.
- The ice machine cleaner contains acids .Do not use or mix with any other solvent-based cleaners products. Use rubber gloves to protect hands. Carefully read the safety instructions on the container of the ice machine cleaner.
- Do not use the apparatus other than for its intended purpose.

SAVE THESE INSTRUCTIONS

Electrical Connection

Do not, under any circumstances, cut or remove the third (ground) prong from the power cord. For personal safety, this appliance must be properly grounded. The power cord of this appliance is equipped with a 3-prong grounding plug that mates with a standard 3-prong grounding wall outlet to minimize the possibility of electric shock hazard from the appliance. Have the wall outlet and circuit checked by a qualified electrician to make sure the outlet is properly grounded. When a standard 2-prong wall outlet is encountered, it is your responsibility and obligation to have it replaced with a properly grounded 3-prong wall outlet. The ice maker should always be plugged into its own individual electrical outlet which has a voltage rating that matches the rating label on the appliance. This provides the best performance and also prevents overloading house wiring circuits which could cause a fire hazard from overheated wires. Never unplug your ice maker by pulling on the power cord. Always grip the plug firmly and pull straight out from the outlet. Repair or replace immediately all power cords that have become frayed or otherwise damaged. Do not use a cord that shows cracks or abrasion damage along its length or at either end. When moving the ice maker, be careful not to damage the power cord.

Extension Cord

Because of potential safety hazards under certain conditions, it is strongly recommended that you do not use an extension cord with this ice maker.

TECHNICAL INFORMATION

Model:	FIM44
Electrical power:	115VAC ~ 60Hz
Power consumption:	13.2 kWh/100 lbs of ice
Ice-making /-harvest rated current:	3.7A/4.8A
Refrigerant:	R134a, 7.06 oz.
High/Low side pressure:	350 psig/130 psig
Width x depth x height:	14" x 23" x 33½"
Unit weight:	84 lbs
Maximum ice storage:	25 lbs
Ice-making capacity:	44lbs/day*
Ice shape:	cube
Ice cube dimensions:	¾" x ¾" x 1"

The technical data and performance index listed above should be used for reference only. They are subject to change.

*The actual quantity of ice produced per day can vary with room and water conditions.

INTRODUCTION

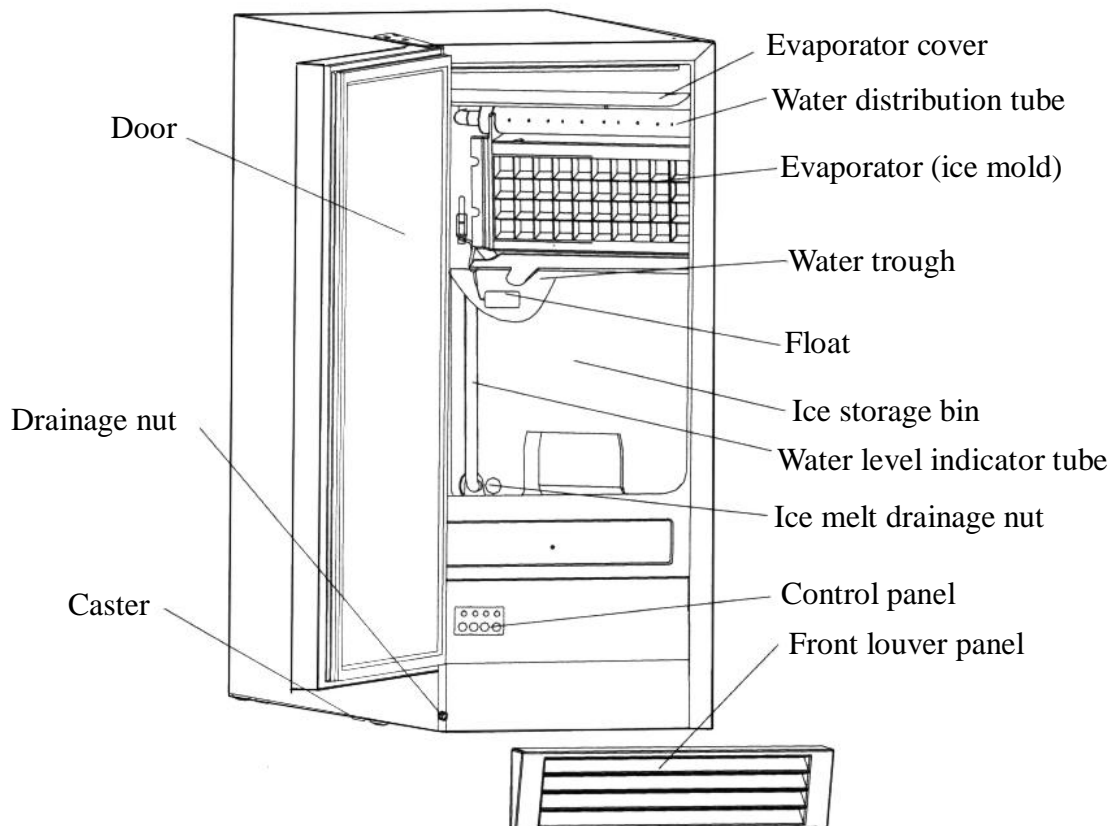
The Franklin Chef® FIM44 Ice Maker produces hard, crystal-clear, gourmet cube ice, and offers convenience for homeowners and hotel guests. An insulated ice storage bin is built in. In addition, you have the option of using an internal or external drainage system.

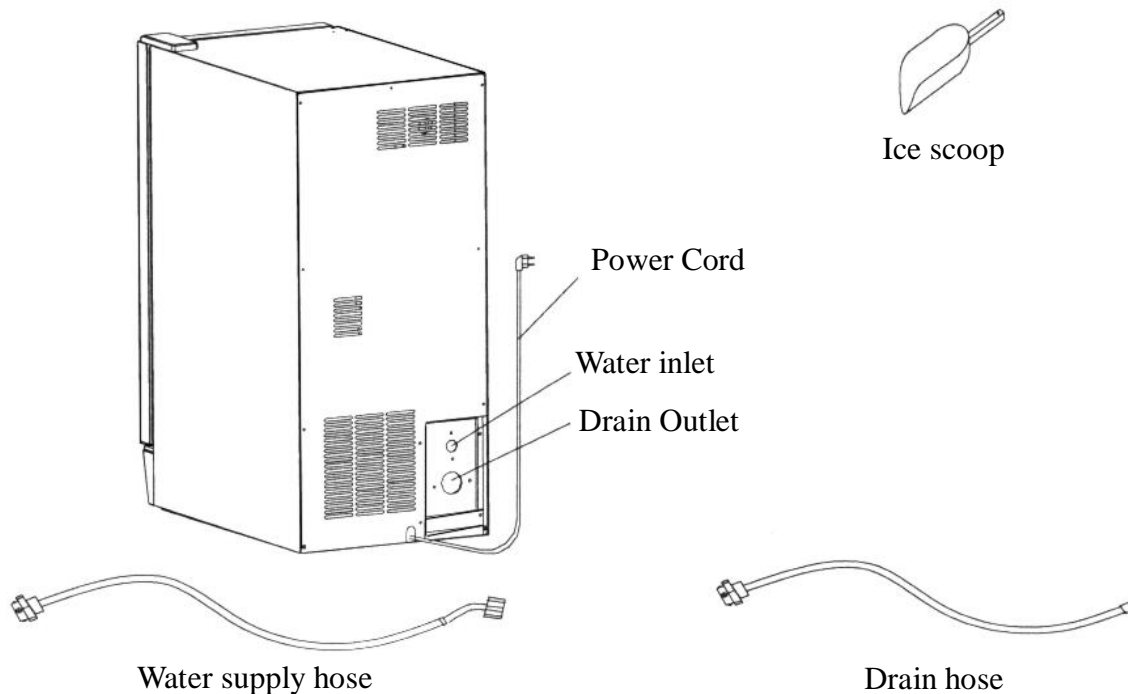
This user's manual is intended as a resource for persons installing, using and servicing the model FIM44. It contains valuable information on safety and maintenance. Franklin Industries strongly recommends that this manual be kept in a place where it can be accessed when needed.

The Franklin Chef® ice maker is designed and manufactured according to the highest standards of safety and performance. It meets or exceeds the safety standard of UL563 and sanitation standard of NSF12.

Franklin Industries LLC assumes no liability or responsibility of any kind for products manufactured by Franklin Industries LLC that have been altered in any way, including the use of any parts and/or other components not specifically approved by Franklin Industries LLC. Franklin Industries reserves the right to make design changes and/or improvements at any time. Specifications and designs are subject to change without notice.

COMPONENT LOCATIONS





ICE MAKER INSTALLATION

Unpacking



WARNING

Excessive Weight Hazard

Use two or more people to move and install ice maker.
Failure to do so can result in back or other injury.

Remove packaging materials

IMPORTANT: Do not remove any permanent instruction labels or the data label on your ice maker.

Remove tape and glue from your ice maker before using.

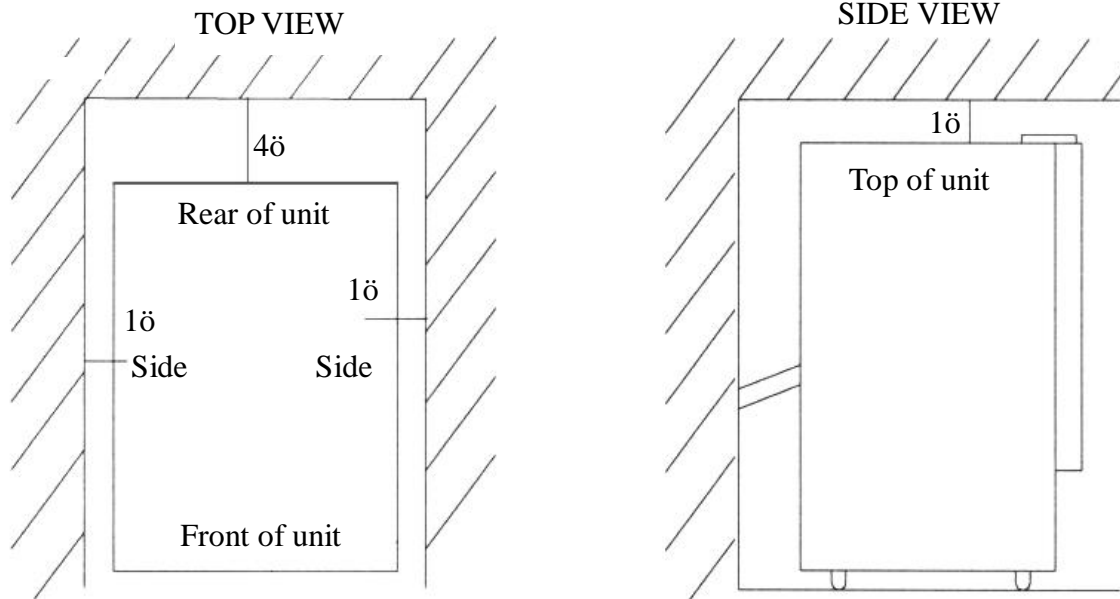
- To remove any remaining tape or glue, rub the area briskly with your thumb. Tape or glue residue can also be easily removed by rubbing a small amount of liquid dish soap over the adhesive with your fingers. Wipe with warm water and dry.
- Do not use sharp instruments, rubbing alcohol, flammable fluids, or abrasive cleaners to remove tape or glue. These products can damage the surface of your ice maker.

Cleaning before use

After you remove all of the packaging materials, clean the inside of your ice maker before using it. See the "Interior cleaning" in the *Cleaning and Maintenance* section.

Location requirements

INSTALLATION CLEARANCES:



- This ice maker should be properly installed by qualified personnel.
- To ensure proper ventilation for your ice maker, the front of the unit must be completely unobstructed.
- When installing the ice maker under a counter, follow the recommended spacing dimensions shown. Allow at least 4" (102 mm) clearance at rear, and 1" (25 mm) at top and sides for proper air circulation. The installation should allow the ice maker to be pulled forward for servicing if necessary.
- Choose a well ventilated area with temperatures above 50°F (10°C) and below 100°F (38°C). This unit **MUST** be installed in an area protected from the elements, such as wind, rain, water spray or drips.
- The unit should not be located next to ovens, grills or other high heat sources.
- Installation of the ice maker requires a cold water supply inlet of ¼-in. (6.35mm) soft copper tubing with a shut-off valve.
- The ice maker requires a continuous water supply with a minimum pressure of 15 psig and a static pressure not to exceed 80 psig. The temperature of the water feeding into the ice maker should be between 41°F (5°C) and 90°F (32°C) for proper operation.

WARNING

Normal operating ambient temperature should be between 50°F (10°C) to 100°F (38°C). Normal operating water temperature should be between 41°F (5°C) and 90°F (32°C). Operation of the ice maker for extended periods outside of these normal temperature ranges may affect production capacity.

- In general, it is always a good idea to filter the water. A water filter, if it is of the proper type, can remove taste and odors as well as particles. Some water is very hard, and softened water may result in white, mushy cubes that stick together. Deionized water is not recommended.
- The ice maker must be installed with all electrical and water connections in accordance with all state and local codes.
- The unit should be located on a firm and level surface. It is important for the ice maker to be leveled in order to work properly. If needed, you can adjust the height of the ice maker by revolving the caster. See the *Leveling the Ice Maker* section.
- A standard electrical supply (115V AC only, 60Hz, 15A), properly grounded in accordance with the National Electrical Code and local codes and ordinances, is required.

IMPORTANT: Do not kink or pinch the power supply cord between the icemaker and wall or cabinet.

Electrical requirements

DANGER



Electrical Shock Hazard

Plug into a grounded 3- prong outlet.

Never remove the ground prong from the plug.

Never use an adapter.

Never use an extension cord.

Failure to follow these instructions can result in fire, electrical shock or death

Before you move your ice maker into its final location, it is important to make sure you have the proper electrical connection:

A standard electrical supply (115V AC only, 60Hz, 15A), properly grounded in accordance with the National Electrical Code and local codes and ordinances, is required. The ice maker should always be plugged into its own individual electrical outlet.

It is recommended that a separate circuit, serving only your ice maker, be provided. Use a receptacle that cannot be turned off by a switch or pull chain.

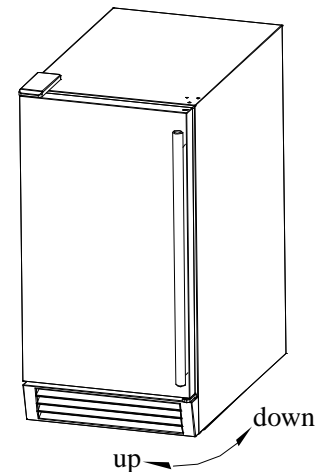
The fuse (or circuit breaker) size should be 15 amperes.

Recommended grounding method

For your personal safety, this appliance must be grounded. This appliance is equipped with a power supply cord having a 3-prong grounding plug. To minimize possible shock hazard, the cord must be plugged into a mating 3-pronged and grounding-type wall receptacle, grounded in accordance with the National Electrical Code and local codes and ordinances. If a mating wall receptacle is not available, it is the personal responsibility of the customer to have a properly grounded, 3-prong wall receptacle installed by a qualified electrician.

Leveling the ice maker

It is important for the ice maker to be leveled in order to work properly. Otherwise water will not flow properly through the evaporator (ice mold). The ice production will be less than normal, and may be noisy. The unit can be raised or lowered by rotating the plastic sheaths around each of the four rolling casters on the bottom of the machine. If you find that the surface is not level, rotate the casters until the ice maker becomes level. You may need to make several adjustments to level it. We recommend using a carpenter's level to check the machine.



1. Place a carpenter's level on top of the unit to see if the ice maker is level from front to back and side to side .
2. Adjust the height of the casters as follows:
 - Turn the leveling casters to the right to lower that side of the ice maker.
 - Turn the leveling casters to the left to raise that side of the ice maker.

You will find that the casters make it easy for one person to move the machine. This is useful for cleaning and sanitizing the surface on which the ice maker is installed because it allows you to move the unit and have easy access to the surface to be cleaned.

IMPORTANT: When the ice maker is ready to be installed in a cabinet or directly on the

floor; you must adjust the feet to level the ice maker and lock the rollers. If the floor is level, just revolve the two front feet to touch the floor.

Reversing the door swing

Tools needed: flathead screwdriver, Phillips screwdriver

IMPORTANT: Before you begin, unplug the ice maker or disconnect power.

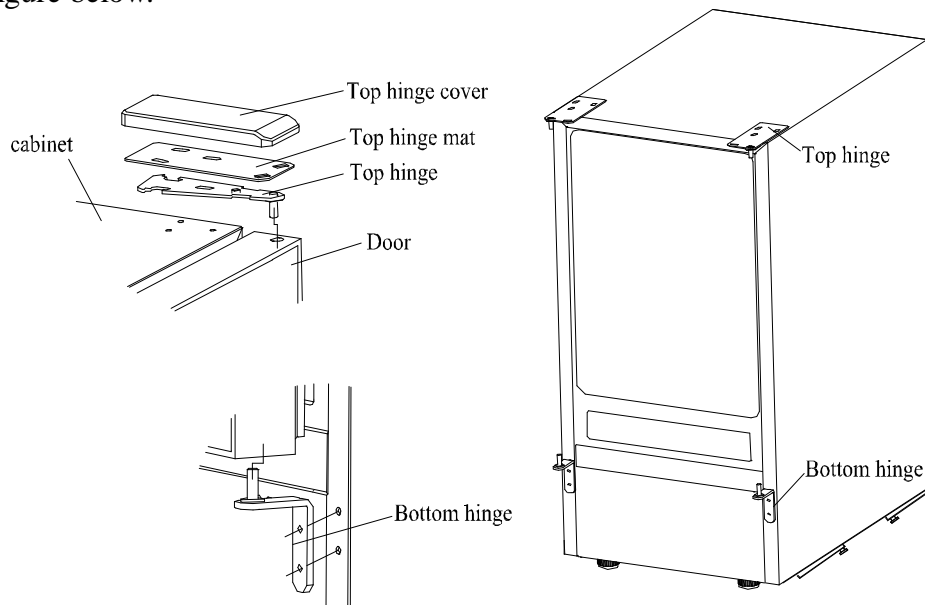
To remove door from hinges:

1. Remove the top hinge cover.
2. Using a Phillips screwdriver, remove the screws, then remove the top hinge mat and top hinge. Keep the parts together and set them aside.
3. Lift the door off of the bottom hinge and set the door aside.

To replace door on hinges:

1. Using a flathead screwdriver, remove the plug buttons from the screw holes opposite the door hinges, top and bottom. Set aside.
2. Remove the front louver. Set aside.
3. Remove the bottom hinge and place it on the opposite side at the bottom of the door.
4. Position the door on the bottom hinge.
5. Align the door on the bottom hinge and replace the top hinge and top hinge mat.
6. Replace top hinge cover.
7. Push the plug buttons into the original screw holes.

See Figure below.



Water Supply

The water supply should be ready at the point of installation. The water supply pressure should be a minimum of 15 psig with a static pressure not more than 80 psig. (A wall outlet directly behind the ice machine will make installation easier.)

IMPORTANT:

1. *All installations must be in accordance with local plumbing code requirements. Professional installation is recommended.*
2. *Make certain the hoses are not pinched or kinked or damaged during installation.*
3. *Check for leaks after connection.*

Tools required:

½-in. open-end wrench, Phillips screwdriver

Connecting the water line:

1. Turn off main water supply. Turn on the nearest faucet long enough to clear line of water.
2. Find a ½-in. to ¾-in. vertical cold water pipe near the installation location. The distance should be less than 9 feet. The water supply hose provided with the ice maker is about 9 feet long.
3. A shut-off valve must be installed to the main water supply. If the water pipe has a plain piece of copper tubing, attach a ¼" O.D. compression union to the tubing and remove the nut.
4. Connect the nut of the water supply hose to the tap, and connect the other end with the water inlet. Tighten firmly by hand, then one-half turn with wrench.
5. Turn on main water supply and tap. Check for water supply connection leaks. Tighten every connection (including connection at the water inlet).

IMPORTANT: When you connect the water supply hose and the drain hose, pay attention to the indications of "Water inlet" and "Drain outlet" on the machine.

Drain

Connecting the drain line or not is optional. When you choose to connect the drain line, you should follow the procedure in "Connecting the drain line" below. If not, just follow the steps in "If you don't connect the drain hose". However, it is recommended to use the drain when the ice maker is at high ambient temperature or low ice consumption to avoid accumulating melt water in the bin.

Connecting the drain line:

NOTE: If there is a drain line near the ice maker, the best choice to drain water to the drain line through the drain water hose provided with ice maker.

1. Locate the floor drain near the ice maker. The distance should be less than 9 feet since the length of the long drain water hose provided with the ice maker is about 9 feet.

2. Find the drain outlet on the back of ice maker, then take off the rear drainage plug. Connect the nut of the drain outlet to the water draining hose, and insert the other end of the hose into the drain line.

3. Screw off the water drainage nut and pull off the plug on the rear of the ice storage bin.

NOTE: Store the drainage nuts and plugs in the compartment labeled Nut/Plug Storage at the back of the unit or in another safe place.

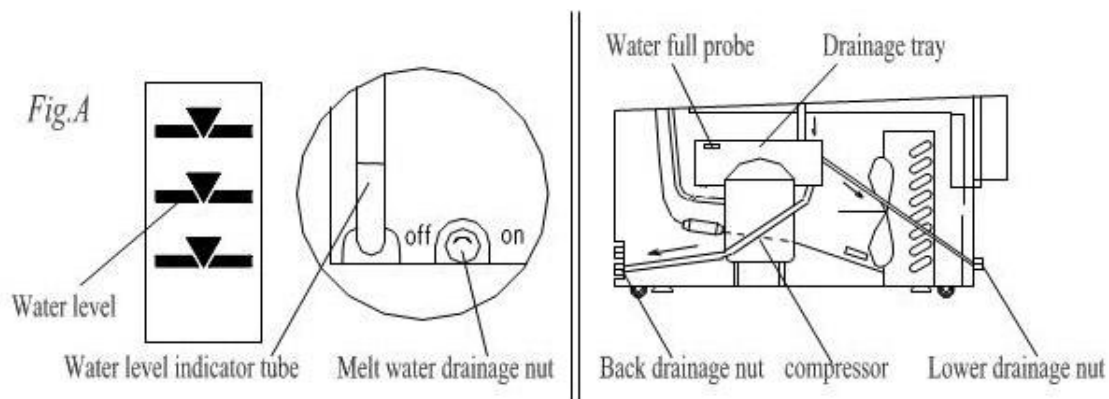
All horizontal runs of drain lines must have a fall of $\frac{1}{4}$ inch per foot. An air gap will likely be required between the ice maker drain tube and the drain/waste receptacle. A stand pipe with a trap below it would be acceptable for the drain/waste receptacle. A floor drain is also acceptable. If this is not possible, FRANKLIN recommends the use of a condensate pump. Contact Franklin Chef customer service at 1-888-424-8278.

4. Pour 1 gallon of water into the ice storage bin to check for leaks at all drain connections and at the nut of the drain water hole. Tighten any connections or nuts that leak.

If you don't connect the drain hose

When you choose not to connect the drain hose, the water drainage nut on the rear of the ice storage bin must be tightened. The drain outlet plug at the back of the ice maker should be tightened also. Water collects in the ice storage bin through ice cube melting. The water level in the ice storage bin can be seen at the water level indicator tube. When required, the water must be discharged through the melt water drainage nut on the front of the ice storage bin. The nut must be tightened afterwards. (Do not loosen or screw off the nut at other times.) See Fig. A below.

IMPORTANT: Infrequent drainage will cause a high rate of melting in the ice storage bin.



IMPORTANT:

- Drain the melting water regularly or there may be a high rate of melting in the ice storage bin if the water reaches the ice.
- The unit drains condensation water to the drainage tray on top of the compressor. The water is slowly evaporated by the heat generated by the compressor. If the drainage tray on top of the compressor becomes full of water, this is detected by the water full

probe and the machine shuts off automatically. At the same time, the ice maker sends out an alarm signal and the red, green and yellow LEDs on the Control Panel at the front of the unit flash together. Turn off the machine and pull out the bottom front panel, locate the drainage nut, unscrew the nut and drain the water. Once the excess water is drained, replace the nut and front panel. The machine will start working again when turned on.

Installation Types

This ice maker has been designed for Mobile (free-standing) installation. However, it can also be Enclosed (as under a cabinet) or Built-in (sealed to the floor). In any case, there must be adequate air space around the unit for ventilation.

Mobile installation:

A mobile installation will allow you to install the ice maker free-standing in any place you desire provided you have access to a water supply. You must follow the stated instructions for

- a. Electrical requirements
- b. Water supply
- c. Leveling the ice maker.

Enclosed Installation:

An enclosed installation will allow you to install the ice maker under a cabinet, or in a kitchen cabinet provided the required clearance space around the ice maker is respected. This installation has the same requirements as a mobile installation.

Built-in installation:

If this method of installation is chosen, it will still be necessary to allow adequate ventilation space around the unit. The following additional items must be observed.

1. Place ice maker in front of installation location. Remove the feet and place the unit flat on the floor or on a platform depending on your installation requirements.
2. The water supply line must be plumbed before connecting to the ice maker.
3. Turn on main water supply and tap. Check for water supply connection leaks. Tighten every connection (including connection at the water inlet).
4. If the electrical outlet for the ice maker is behind the cabinet, plug in the ice maker.
5. Push the ice maker into position.
6. Seal all around the cabinet to the floor with an approved caulking compound.

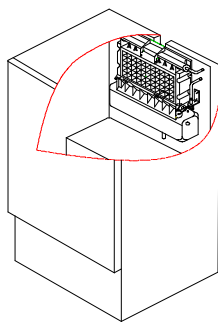
OPERATION

Final Check List before Operation

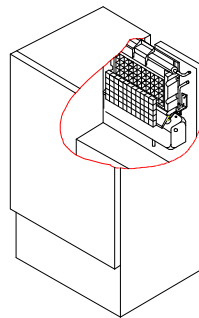
1. Have all packing materials and tape been removed from the interior and exterior of the ice maker?
2. Do you clean the ice storage bin?
3. Have the installation instructions been followed, including connecting the machine to water and electricity?
4. Has the machine been leveled?
5. Is the ice maker in a site where the ambient temperature is between 50°F (10°F) and 100°F (38°F) and the water temperature between 41°F (5°F) and 90°F (32°F) all year-round?
6. Has the water supply pressure been checked to ensure a minimum of 15 psig with a static pressure not to exceed 80 psig?
7. Is there a clearance of at least 4ö (102 mm) at the rear, and 1ö (25 mm) at top and sides for proper air circulation?
8. Has the power supply voltage been checked or tested against the nameplate rating? And has proper grounding been installed in the ice maker?
9. Is the ice maker plugged in?
10. Have you turned on the main water supply and tap?
11. Have you checked for leaks at all water supply connections?

Operating method

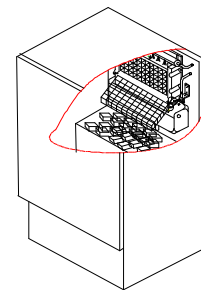
1. Turn on the water tap, let the water trough fill, then press the ON/OFF button on the front panel. The ice maker will start working automatically.



Ice making stage



Ice harvest stage



Bin full stage

2. After 3 minutes, the machine will automatically go to the ice-making stage, and the sound of water flowing will be heard.
3. When the batch of ice has been fully formed, ice will automatically be harvested to the

ice storage bin.

4. When the ice storage bin is full, the sheet of cubes will not fall completely and will hold the bin-full probe open. The machine automatically stops making ice and progresses to the cold preservation stage. During this stage, the compressor works regularly to keep the temperature low for less ice melting.
5. The unit will start making ice again after the ice cubes are removed. Then the bin-full probe swings back to operating position.

IMPORTANT:

- *Although the unit has been tested and cleaned at the factory, due to long-term transit and storage, the first batch of cubes must be discarded.*
- *Never turn the water supply tap off when the ice maker is working.*
- *Never touch evaporator when unit is running!*
- *Except to take ice from the unit, keep the door closed to reduce melting and insure proper ice formation.*
- *Drain the melt water regularly from the ice storage bin.*
- *Drain water from the drainage tray above the compressor by screwing off the lower drainage nut when the unit stops working and alarms regularly.*

How the machine makes ice

Set the ON/OFF button to the ON position. The machine will automatically go to the ice making stage.

There are two distinct cycles: ice freeze and harvest.

The freeze cycle happens when water flows to the evaporator surface. The harvest cycle is when the ice is released and water enters the machine. A complete cycle takes about 20 minutes, but it depends on temperature and operating conditions.

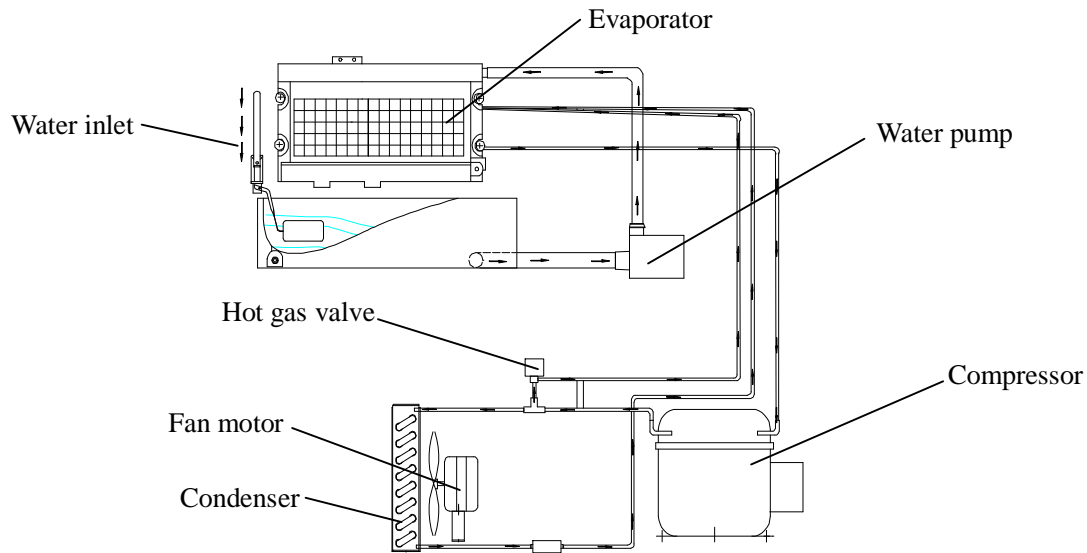
Freeze: During the freeze cycle the compressor is pumping refrigerant, the fan motor is blowing air, and the water pump is circulating water. When the batch of ice has been fully formed, the ice maker stops the freeze cycle and harvest cycle begins.

Harvest: During the harvest cycle the compressor is still operating, but the water pump has stopped. The hot gas valve opens, diverting hot refrigerant gas into the evaporator. The hot refrigerant gas warms the evaporator, causing the cubes to slide as a unit off the evaporator and into the storage bin. The freeze cycle will restart when all the cubes have been harvested.

How the machine uses the water

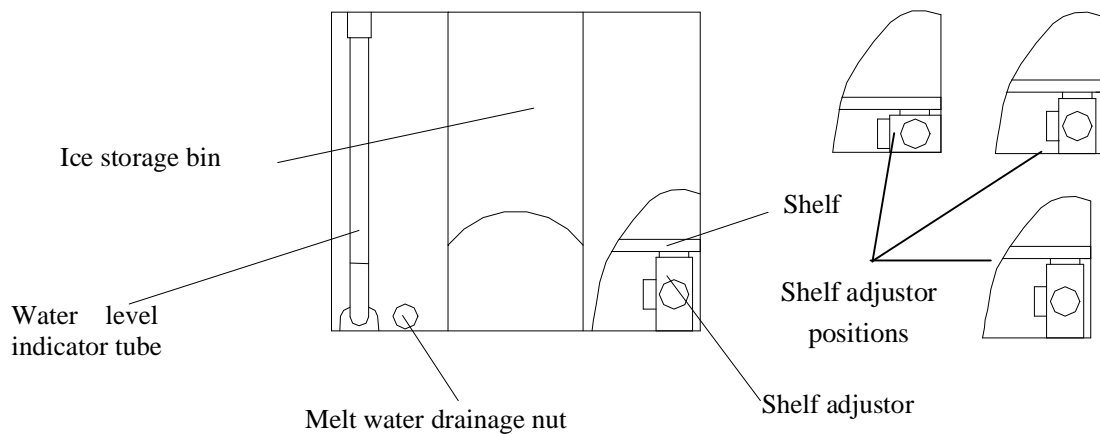
The ice maker begins with a fixed charge of water that is contained in the water trough. As the water flows to the freezing evaporator surface, the portion of water that does not contain mineral impurities freezes and sticks to the ice cube molds. The water containing

impurities falls back into the water trough. During the ice making process, fresh water enters into the water trough continuously as the water in trough freezes continuously in the evaporator.



How to adjust the capacity of the ice storage bin

The ice storage capacity can be adjusted by moving the shelf adjusters to different positions (see below). You can decide the shelf's most efficient placement according to your usage of ice.



Normal sounds

Your new ice maker may make sounds that are not familiar to you. Most of the new sounds are normal. Hard surfaces like the floor and walls can make the sounds louder than they actually are. The following list describes the sounds that might be new to you and what may be causing them.

- Rattling noises may come from the flow of the refrigerant or the water line. Items stored on top of the ice maker can also make noises.
- The high efficiency compressor may make a pulsating or high-pitched sound.
- Water running may make a splashing sound.
- You may hear air being forced over the condenser by the condenser fan.
- During the harvest cycle, you may hear the sound of ice cubes falling into the ice storage bin.

Preparing the ice maker for long storage

If the ice maker will not be used for a long time, or is to be moved to another place, it will be necessary to drain the system of water.

1. Shut off the water supply at the main water source.
2. Disconnect the water supply line from the water inlet.
3. Shut off the electric supply at the main electrical power source.
4. Take out the ice storage bin to remove any remaining ice and water. Dry the bin.
5. Pull off the drainage tube of the water trough to drain off all water.
6. Leave the door open to allow for circulation and to prevent mold and mildew.
7. Leave water supply line and power cord disconnected until ready to reuse.

IMPORTANT:

- *Do not touch the power plug when your hands are wet.*
- *Never unplug the unit by pulling on the cord. Grasp the plug and pull out firmly.*

CLEANING AND MAINTENANCE

CAUTION

If the ice maker is left unused for a long time, before the next use it must be thoroughly cleaned. Follow carefully any instructions provided for cleaning or use of sanitizing solutions. Do not leave any solution inside the ice maker after cleaning.

Periodic cleaning and proper maintenance will ensure efficiency, top performance, and long life. The maintenance intervals listed are based on normal conditions. You may want to shorten the intervals if you have pets, or there are other special considerations.

What shouldn't be done

Never keep anything in the ice storage bin that is not ice: objects like wine and beer bottles are not only unsanitary, but the labels may slip off and plug up the drain.

What parts should be kept clean

There are 5 things to keep clean:

1. The exterior
2. The interior
3. The condenser
4. Water distribution tube
5. The ice-making system

WARNING

Before proceeding with cleaning and maintenance operations, make sure the power line of the unit is disconnected and the water line is shut off.

Exterior cleaning

The door and cabinet may be cleaned with a mild detergent and warm water solution such as 1 oz. of dishwashing liquid mixed with 2 gallons of warm water. Do not use solvent-based or abrasive cleaners. Use a soft sponge and rinse with clean water. Wipe with a soft clean towel to prevent water spotting.


If the door panel is stainless steel, stainless steel can discolor when exposed to chlorine gas and moisture. Clean stainless steel with a mild detergent and warm water solution and a damp cloth. Never use an abrasive cleaning agent.

Interior cleaning

The ice storage bin should be sanitized occasionally. Clean the water trough before the ice maker is used first time and reused after stopping for an extended period of time. It is usually convenient to sanitize the trough after the ice making system has been cleaned, and the ice storage bin is empty.

1. Disconnect the power to the unit.
2. Open the door and take out the removable ice storage bin. With a clean cloth, wipe down the interior of unit and ice bin with a sanitizing solution made of 1 ounce of household bleach or chlorine and 2 gallons of hot (95°F ó 115°F) water.
3. Rinse thoroughly with clear water.
4. Screw off the drainage nut to drain completely.
5. Put the ice storage bin inside the unit.
6. Reconnect power to the unit.

The ice scoop should be washed regularly. Wash it just like any other food container.

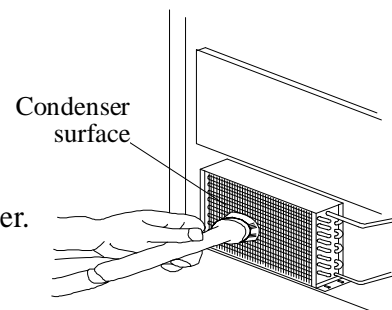
 **WARNING**

DO NOT use solvent-based cleaning agents or abrasives on the interior. These cleaners may transmit taste to the ice cubes and damage or discolor the interior.

Condenser cleaning

A dirty or clogged condenser prevents proper airflow, reduces ice making capacity, and causes higher than recommended operating temperatures that may lead to component failure. Have the condenser cleaned at least once every six months.

1. Unplug the ice maker or disconnect power.
2. Gently pull off the lower front grille.
3. Locate the condenser filter. This can be lifted out and cleaned with a brush or flowing water.
4. Remove dirt and lint from the condenser fins and the unit compartment with the brush attachment of a vacuum cleaner.
5. Put back the filter and reassemble the front lower grille.
6. Plug in the ice maker or reconnect power.





WARNING

DO NOT touch the condenser fins. They are sharp and can be easily damaged.

Water distribution tube cleaning

When you find the ice cubes are incompletely formed or the output is low, the water distribution tube may be blocked. Turn off the power button, rotate the water distribution tube, locate the holes in the distribution tube and use a pointed object such as a toothpick to dredge the holes. Then rotate the water distribution tube back to its original position. If the tube is badly blocked, clean it as follows:

1. Shut off the water supply
2. Disconnect the water hose from the distribution tube.
3. Lift the right side up, then remove the distribution tube.
4. With a brush, clean the tube with a dilute solution of warm water and a mild detergent such as dishwashing liquid. After removing the dirt and lint from the surface, rinse the tube with clean water.
5. Replace the distribution tube.
6. Reconnect the water supply.


Ice-making system cleaning

Minerals that are removed from the water during the freezing cycle will eventually form a hard, scaly deposit in the water system. Cleaning the system regularly helps remove the mineral scale buildup. How often to clean the system depends upon how hard your water is or how effective your filtration may be. With hard water of 15 to 20 grains/gal. (4 to 5 grains/ liter), you may need to clean the system as often as once every 6 months.

1. Make sure that all the ice is off the evaporator. If ice is being formed, wait until the cycle is completed, then press the machine's ON/OFF switch on the control panel.
2. Remove all ice from the storage bin.
3. Keep the ice maker connected to the water supply. Pour 8 oz. of Nickel-Safe Ice Maker Cleaner Solution into the water trough. Then press the ON/OFF switch and the CLEAN button, initiating the wash cycle. The machine will run in the Automatic Clean Mode.
4. Allow 30 minutes for proper cleaning. After cleaning, press the ON/OFF switch again. Use a drain hose on the front of the water trough to drain off the waste water to a convenient container.

NOTE: Don't drain off the waste water to the inside of the cabinet.

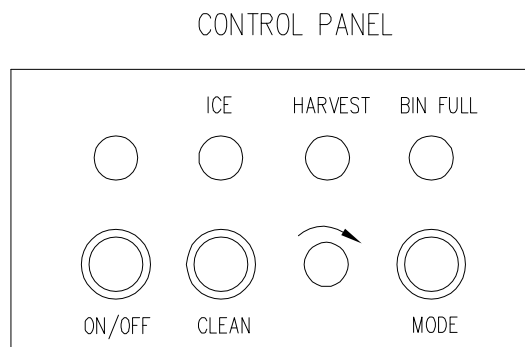
5. Repeat steps 3 and 4 (without Ice Maker Cleaning Solution) three times to rinse the ice making system thoroughly.
 - *NOTE: Ice Maker Cleaner Solution in the water bin during the rinse is not needed.*


WARNING

The ice machine cleaner contains acids.
 DO NOT use or mix with any other solvent-based cleaner products.
 Use rubber gloves to protect hands. Carefully read the material safety instructions on the container of the ice machine cleaner.
 Discard the first batch of ice produced after cleaning.

6. Prepare a sanitizing solution made of 1 ounce of household bleach and 2 gallons of hot water (95° to 115°F). Wipe the entire bin inside and outside, covering the entire surface of the walls.
7. Fill a spray bottle with the sanitizing solution and spray all corners and edges, making sure to cover all surfaces with the solution.
8. Allow the solution to be in contact for at least 3 minutes, then dry.
9. Repeat step 5 to rinse the ice making system one more time.
10. Press the ON/OFF button again. The machine will return to the regular ice making mode. Discard the first batch of ice.

Control panel:



Description of LEDs and buttons:

1. **Bin Full (Red) LED:** Bin full indicator light

When this is lit, the ice storage bin is full of ice or there is some thing blocking the bin-full probe. The unit will stop working. When ice cubes are removed from the ice storage bin, freeing the bin-full probe, the red LED will remain flashing for 3 minutes, then the unit will restart and return to the ice making mode.

2. **Ice Making(Green) LED:** Ice making indicator light

When this is lit, the unit is working in the ice making mode controlled by a temperature probe on the evaporator. When the green LED flashes, the unit is working in the ice making mode controlled by a fixed timer.

3. **Ice Harvest (Yellow) LED:** Ice harvest indicator light

When this is lit, the unit is working in the ice harvest mode controlled by the ice-full probe.

When both the green and yellow LEDs are lit, the unit is in the cold preservation mode.

4. **Mode button:** Mainly for service. When this is pressed, the ice making mode changes to ice harvest mode or vice versa. The mode can be judged from the status of the green and yellow LEDs.

MAJOR FUNCTIONS

1. The operating procedure is completely automatic.
2. When the ice storage bin is full of ice cubes, the machine stops making ice and proceeds to the cold preservation stage automatically. It starts making ice again after ice cubes are removed.
3. When the drainage tray on top of the compressor is full of water, the machine stops working and alarms at regular intervals. Only when you drain off water by unscrewing the lower drainage nut does the machine resume working.
4. The different colors of the LED display indicate various work modes.
5. The fan motor responds to the ambient temperature. If it is cold, the motor will stop working to keep the cooling system in good working condition.
6. A sensitive probe and accurate timer enhance the performance of the ice maker.
7. A compressor protection system is built in.

TROUBLESHOOTING

Before Calling for Service

If the unit appears to be malfunctioning, read through the *OPERATION* section of this manual first. If the problem persists, check the Troubleshooting Guide on the following pages. Some of the problems mentioned in the Guide can be solved easily without a service call.

Troubleshooting Guide

Problem	Possible Cause	Probable Correction
The machine does not operate.	The ice maker is unplugged.	Plug the ice maker in.
	The fuse is blown.	Replace fuse. If it happens again, call for service to check for a short circuit in the unit.
	The ice maker power button is set at OFF.	Switch the ice maker power button to ON.
	The ice storage bin is full of ice.	Remove some ice cubes. Be sure the ice-full probe is free of ice.
	The drainage tray on top of the compressor is full.	Drain off water by unscrewing the lower drainage nut.
The water doesn't feed in after the machine starts.	The water supply tap is turned off.	Turn on the water supply tap.
	The water supply pipe is not properly connected.	Reconnect the water supply pipe.
Machine makes ice, but bin does not fill up with ice.	The condenser may be dirty.	Clean the condenser.
	The air flow to the ice maker may be obstructed.	Check the installation.
	The ambient temperature and water temperature are high, or unit is near some heat source.	Check the installation.
Water is leaking out of the unit.	Some water falls to the floor when you open the door to remove ice from storage bin.	Normal condensation on the door or some water together with ice. Take care when you take out ice.
	Water supply connection is leaking.	Tighten fitting. See <i>Connecting the water line</i> .
	Drain pipe higher than drain outlet.	Lower drain pipe.

Cubes are partially formed or are white on the bottom.	Not enough water in the water trough.	Check if the water supply pressure is below 15 psig.
		Check water supply or filter may be restricted.
		Check for a water leak at the water trough.
Noise during operation	The feet are not leveled and locked.	Level and lock the feet. See <i>Leveling the Ice Maker</i> .
	Certain sounds are normal.	See <i>Normal Sounds</i> .
The ice maker stops suddenly while making ice.	The electricity is off.	Reconnect the power supply line.
	The room temperature is out of the stated range.	Cut off the electricity and leave the ice maker disconnected until the temperature returns to within the stated range.
	The ice storage bin is full of ice.	Remove some ice cubes; make sure the ice-full probe is free of ice.
	Drainage tray is full of water	Drain off water by unscrewing the lower drain nut.
The body of the ice maker is electrified	The ground line isn't in the socket.	Use a socket meeting the grounding requirements.
Scaling occurs frequently inside the machine.	The hardness level of the water is too high.	Install a water-softening device in front of the water inlet.

LIMITED WARRANTY

Franklin Industries, LLC, warrants this product to be free from defects in materials and workmanship for a period of one year from the date of the original purchase. Franklin also warrants the compressor for 5 years with a Parts-only warranty from the date of purchase. Any parts that are determined to be defective will be replaced or repaired, at its sole discretion, by Franklin Industries, LLC, at no charge as long as it has been determined that the unit was operated in accordance with the instructions attached or furnished with the product. If the unit proves to be defective, your first course of action should be to follow the retailer's return policy.

This warranty covers units only in the continental United States and does not cover the following:

- Damage from improper voltage or installation
- Damage in shipping
- Defects other than manufacturing defects
- Any installation expenses that may be incurred
- Labor or repairs after the initial 12-month period
- Damage from abuse, misuse, accident, alteration or lack of proper care or maintenance
- Improper or incorrectly performed maintenance or repairs
- Use of parts not recommended by Franklin Industries, LLC
- Damage due to acts of God.

This limited warranty is given in lieu of all other warranties expressed or implied. This warranty does not cover incidental or consequential damages. Some States do not allow the exclusion or limitation of incidental or consequential damages, so the above limitation or exclusion may not apply to you.

This warranty provides you with specific legal rights and you may have other rights which vary from State to State. Consult the written materials accompanying your product for the safe and proper operation.

This warranty may not be assigned.

For warranty service, contact:

Franklin Industries, LLC

4100 First Avenue

Brooklyn, NY 11232-3321

Tel.: 1-888-424-8278

E-mail: customerservice@franklinchef.com

When service is required, have on hand the Model and Serial numbers found on the rating label on the back of the unit, as well as proof of purchase such as a sales or gift receipt.

ÍNDICE

	Página
SÍMBOLOS DE SEGURIDAD.....	28
ADVERTENCIAS DE SEGURIDAD.....	29 - 31
INFORMACIÓN TÉCNICA.....	31
INTRODUCCIÓN	32
UBICACIÓN DE COMPONENTES DE LA MÁQUINA	32 - 33
INSTALACIÓN DE LA MÁQUINA	33 - 40
Desembalaje	33
Requisitos del lugar de instalación.....	34 - 35
Requisitos de alimentación eléctrica	35 - 36
Nivelación de la máquina	36
Cambio del lado de apertura de la puerta	37
Conexiones de entrada de agua.....	38
Drenaje.....	38 - 40
Tipos de instalación.....	40
USO DE LA MÁQUINA	41 - 44
Lista de control final antes de la puesta en servicio	41
Método de uso.....	41 - 42
Ciclos de funcionamiento de la máquina.....	42
El circuito de agua en la máquina	42 - 43
Cómo ajustar la capacidad del recipiente de hielo	43
Sonidos normales	43 - 44
Preparación de la máquina para almacenamiento prolongado.....	44
LIMPIEZA Y MANTENIMIENTO.....	44 - 48
Limpieza externa	45
Limpieza interna.....	45 - 46
Limpieza del condensador	46
Limpieza del tubo de distribución de agua	46 - 47
Limpieza del sistema para hacer hielo.....	47
Tablero de control.....	48
FUNCIONES PRINCIPALES.....	49
DIAGNÓSTICO DE FALLAS.....	50 - 51
GARANTÍA LIMITADA.....	52

Nos reservamos el derecho de efectuar modificaciones de diseño y de especificaciones técnicas, sin obligación de aviso previo.

SÍMBOLOS DE SEGURIDAD

Su seguridad y la seguridad de los demás es de suma importancia.

Tanto en este manual como en la máquina, encontrará varios mensajes de importantes de seguridad. Lea y observe siempre los mensajes de seguridad.



Este es el símbolo de Alerta de Seguridad. Advierte sobre posibles riesgos que pueden causar accidentes lesivos e incluso fatales, tanto para usted como para los demás. Los mensajes se verán a continuación del símbolo de Alerta de Seguridad, junto con una de las siguientes palabras: "**PELIGRO**", "**ADVERTENCIA**" o "**PRECAUCIÓN**".



PELIGRO indica que el incumplimiento de la medida de seguridad podría causar lesiones personales graves e incluso la muerte.



ADVERTENCIA indica que el incumplimiento de la medida de seguridad podría causar daños al producto, lesiones personales graves e incluso la muerte.



PRECAUCIÓN indica que el incumplimiento de la medida de seguridad podría causar lesiones personales menores o moderadas, o daños materiales o al equipo.

Los mensajes de seguridad especificarán cuál es el peligro potencial, cómo reducir las posibilidades de accidentes y las consecuencias del incumplimiento de las instrucciones.

INSTRUCCIONES IMPORTANTES DE SEGURIDAD

ADVERTENCIA: Para reducir el riesgo de incendio, electrocución o lesiones accidentales al usar la máquina para hacer hielo, observar las siguientes precauciones:

- Enchufar la máquina a un tomacorriente de 3 patas con descarga a tierra.
- No eliminar la pata de conexión a tierra.
- No usar un adaptador de 3 a 2 patas.
- No usar un cordón prolongador para enchufar la máquina.
- Desconectar la alimentación eléctrica antes de limpiar la máquina.
- Desconectar la alimentación eléctrica antes de hacer mantenimiento.
- Colocar todos los paneles y tapas antes de poner la máquina en servicio.
- Mover e instalar la máquina al menos entre dos personas.

CONSERVAR ESTAS INSTRUCCIONES

ADVERTENCIAS DE SEGURIDAD



Leer atentamente este manual, ya que antes de poner en servicio la máquina para hacer hielo, es necesario ubicarla e instalarla tal como aquí se explica. Franklin Chef[®] recomiendan fuertemente que un mecánico profesional instale su máquina nueva. La garantía se puede afectar o anular por una instalación inexacta. Para disminuir el riesgo de incendio, electrocución o lesiones personales accidentales durante el uso de la máquina, es importante tomar ciertas precauciones elementales, tal como las siguientes:

PELIGRO

- Enchufar la máquina a un tomacorriente para enchufe de tres patas, con descarga a tierra. No eliminar la pata de descarga a tierra, no usar un adaptador de 3 a 2 patas, ni usar un cordón prolongador.
- Es recomendable alimentar eléctricamente la máquina con un circuito exclusivamente dedicado a la misma. No usar un tomacorriente al que se pueda cortar la alimentación desde una llave de luz u otro interruptor común.
- No conectar ni desconectar el enchufe con las manos mojadas.
- Nunca desenchufe la máquina estirando en el cordón eléctrico. Siempre tenga el tapón firmemente y tire directamente fuera del tomacorriente.
- No limpiar ninguna de las partes de la máquina con líquidos inflamables. No guardar ni usar gasolina ni otros líquidos o vapores inflamables cerca de esta máquina (ni de otros artefactos eléctricos). Los vapores de estos líquidos podrían representar un riesgo de incendio o explosión.
- Antes de iniciar tareas de limpieza y/o mantenimiento, se debe cortar la alimentación eléctrica y cerrar el paso de suministro de agua. (EXCEPCIÓN: Limpieza de los sistemas para hacer hielo y de agua - vea las páginas 46 ó 47.)
- Volver a colocar todos los paneles y tapas antes de poner la máquina en servicio.
- No permitir que los niños usen, jueguen ni entren a la máquina para hacer hielo.
- No toque el evaporador con la mano cuando la máquina opera.
- Desenchufar la máquina o cortar la alimentación eléctrica del circuito antes de efectuar tareas de limpieza o mantenimiento. Si no lo hace, puede dar por resultado la electrocución o la muerte.
- No efectuar reparaciones por cuenta propia ni cambio de partes de la máquina para hacer hielo, a menos que así sea recomendado en este manual. Para los demás trabajos de reparación y mantenimiento, solicitar los servicios de un técnico especializado.

ADVERTENCIA

- Mover e instalar la máquina entre dos personas como mínimo. Si lo hace una sola persona, hay riesgo de que se lesione por el esfuerzo excesivo.
- Para que la máquina tenga ventilación adecuada, no debe haber ninguna obstrucción en el frente de la misma. Elegir un lugar bien ventilado para instalarla, con temperaturas superiores a 50° F (10° C) e inferiores a 100° F (38° C). Esta máquina DEBE instalarse en un lugar protegido contra el viento, la lluvia y el goteo de agua.
- No instalar la máquina para hacer hielo cerca de hornos, parrillas ni otros elementos que generen calor excesivo.

- Las conexiones eléctricas y de agua de la máquina para hacer hielo, deben cumplir con todas las reglamentaciones vigentes que correspondan a nivel municipal y estatal. La máquina se debe conectar a un tomacorriente de 115 Voltios de corriente alterna, 60 Hz, 15 Amperes de capacidad, con descarga a tierra, instalado de acuerdo con el Código Eléctrico Nacional (National Electrical Code) y los reglamentos municipales.
- Asegurarse de que el cordón eléctrico no quede atrapado, torsionado ni presionado entre la máquina y otro objeto.
- El fusible o interruptor termomagnético de alimentación del circuito debe ser de 15 amperes de capacidad.
- Para que la máquina funcione correctamente, es importante que esté bien nivelada. Podría ser necesario hacer varios ajustes de la posición hasta que quede correctamente nivelada.
- La instalación de plomería debe cumplir con los reglamentos municipales vigentes que correspondan.
- Tomar precauciones para no aplastar ni dañar las tuberías durante la instalación.
- Al terminar las conexiones, verificar que no hayan pérdidas en las tuberías.
- Si bien la máquina ha sido probada en fábrica, puede pasar mucho tiempo almacenada y en tránsito. Por ello, se debe desechar la primera partida de cubos de hielo.
- Quite el material de embalaje y limpie la máquina antes de usar.
- Abra la canilla de suministro de agua antes de encender la máquina. Nunca corte el suministro de agua cuando funciona la máquina.
- Aparte de tomar hielo de la unidad, mantenga cerrada la puerta para reducir que el hielo derrite y para promover la formación apropiada de hielo.
- Cuando la máquina permanece sin usar durante un período prolongado, es necesario limpiarla bien antes de ponerla nuevamente en servicio. Siga atentamente las instrucciones suministradas para la limpieza y/o el uso de soluciones desinfectantes. Después de limpiar la máquina, no debe quedar absolutamente ningún residuo de solución de limpieza en su interior.
- NO tocar las aletas del condensador. Las aletas del condensador son filosas y además se pueden dañar con facilidad.
- NO usar productos de limpieza abrasivos ni con solventes en el interior de la máquina. Estos productos de limpieza pueden impregnar de olor los cubos de hielo y descolorar o dañar el interior de la unidad.
- El producto de limpieza para la máquina contiene ácidos. NO usarlo ni mezclarlo con ningún otro producto de limpieza que contenga solvente. Usar guantes de goma para protegerse las manos. Leer atentamente las instrucciones de seguridad para el manejo del material, que se encuentran en el envase del producto de limpieza de la máquina.
- No usar este artefacto para propósitos ajenos a su función original.

CONSERVAR ESTAS INSTRUCCIONES

Conexión eléctrica

No cortar ni quitar por ningún motivo la pata de descarga a tierra del enchufe del cordón. Por razones de seguridad personal, esta máquina debe tener circuito de descarga a tierra. El cordón eléctrico de esta máquina tiene 3 patas, una de las cuales es la descarga a tierra, y debe enchufarse a un tomacorriente de 3 patas con circuito de tierra, a fin de reducir al

mínimo las posibilidades de electrocución accidental. Es conveniente hacer revisar por un electricista profesional el tomacorriente y el circuito del mismo para verificar que tengan descarga a tierra. Si el tomacorriente disponible para enchufar la máquina fuera uno de dos patas solamente, es responsabilidad del usuario cambiarlo por uno de tres patas con circuito de descarga a tierra. La máquina debe tener su tomacorriente individual, cuyo voltaje coincida con el especificado en la etiqueta o placa de datos de la misma. Esto no sólo es mejor para máquina, sino también para evitar sobrecargar los otros circuitos de la instalación, con el consiguiente riesgo de incendio por sobrecalentamiento de los cables. No desenchufar la máquina tirando del cordón. Tomar directamente el enchufe y tirar firmemente hacia afuera. Reparar o cambiar inmediatamente los cordones eléctricos quemados o dañados. No continuar usando un cordón eléctrico que esté agrietado o dañado en cualquier lugar. Tomar precauciones para no dañar el cordón eléctrico cuando se mueve la máquina para hacer hielo.

Cordón prolongador

Por razones de seguridad, se recomienda enfáticamente no usar un cordón prolongador para enchufar esta máquina.

INFORMACIÓN TÉCNICA

Modelo :	FIM44
Alimentación eléctrica :	115VCA ~ 60Hz
Consumo de potencia :	13,2 kWh/45 kg de hielo
Corriente nominal de hacer/cosechar hielo	3,7A / 4,8A
Refrigerante :	R134a; 0,180 kg
Presión del circuito de alta/de baja :	23,8 atm / 8,2 atm
Ancho x profundidad x altura :	371 mm x 599 mm x 851 mm
Pesa :	38,2 kg
Capacidad para almacenar hielo :	11,4 kg máximo
Capacidad para hacer hielo :	20 kg de hielo por día*
Forma del hielo :	Cubo
Tamaño del cubo :	19 mm x 19 mm x 25 mm

Los datos técnicos y los parámetros funcionales mencionados anteriormente se deben usar como valores de referencia únicamente. Estos datos están sujetos a cambio.

* La cantidad de hielo producida por día podría variar de acuerdo con la temperatura ambiente y la temperatura del agua.

INTRODUCCIÓN

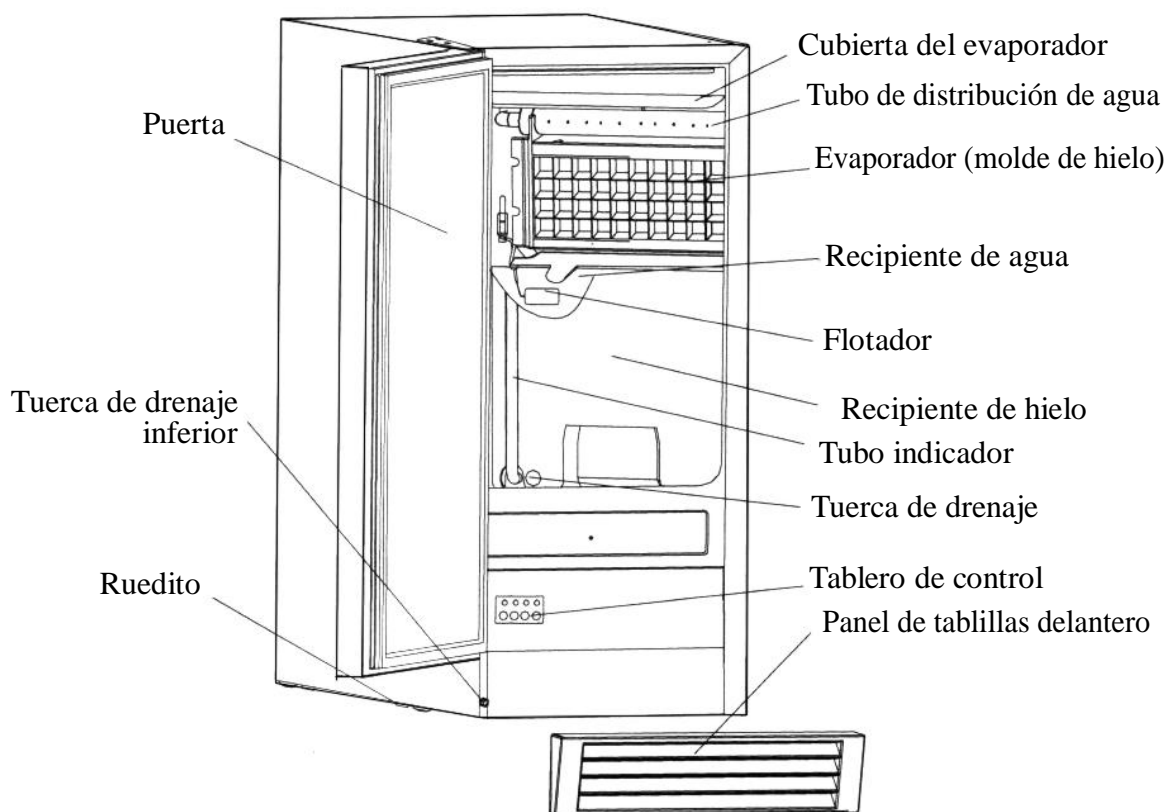
La máquina para hacer hielo FIM44 de Franklin Chef® produce cubos de hielo de impecable dureza y transparencia, y es cómoda y práctica para uso en el hogar como para huéspedes de hoteles. Un recipiente de hielo con aislamiento térmico está integrado con la máquina. Además, usted tiene la opción de usar un sistema interno o externo de desagüe.

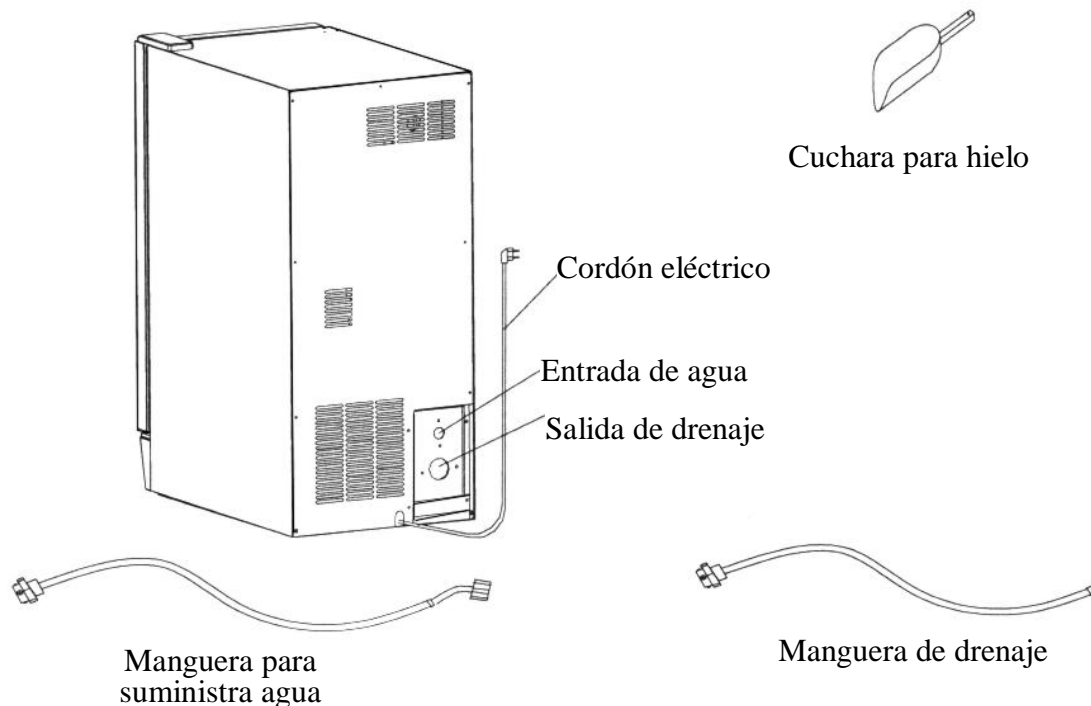
Este manual tiene información destinada a las personas que instalan, usan y reparan el modelo FIM44. Tiene datos e información importantes sobre seguridad y mantenimiento. Franklin Industries, LLC, recomienda guardar este manual a mano para consultarlo en caso de que sea necesario.

Cada máquina para hacer hielo de Franklin Industries, LLC, fue diseñada y fabricada bajo las normas más exigentes de seguridad y tecnología. Cumple y supera las normas de seguridad UL563 y la norma de saneamiento NSF12.

Franklin Industries, LLC, no asume ninguna responsabilidad por los productos que hayan sido modificados de cualquier manera, incluyendo el cambio de partes y/o componentes por otras/otros que no sean específicamente aprobadas por Franklin Industries, LLC. Franklin Industries, LLC, se reserva el derecho de implementar en cualquier momento cambios de diseño y/o mejoras del producto. Las especificaciones técnicas y el diseño están sujetos a cambio sin obligación de aviso previo.

UBICACIÓN DE COMPONENTES DE LA MÁQUINA





INSTALACIÓN DE LA MÁQUINA

Desembalaje



ADVERTENCIA

Peligro de peso excesivo

Mover e instalar la máquina entro dos personas como mínimo.
Si lo hace una sola persona, hay riesgo de que se lesione por el esfuerzo excesivo.

Quitar los materiales de embalaje

IMPORTANTE: No quitar las etiquetas fijas de instrucciones ni la etiqueta de datos de la máquina para hacer hielo.

Quitar las cintas adhesivas y residuos de adhesivo antes de poner en servicio la máquina.

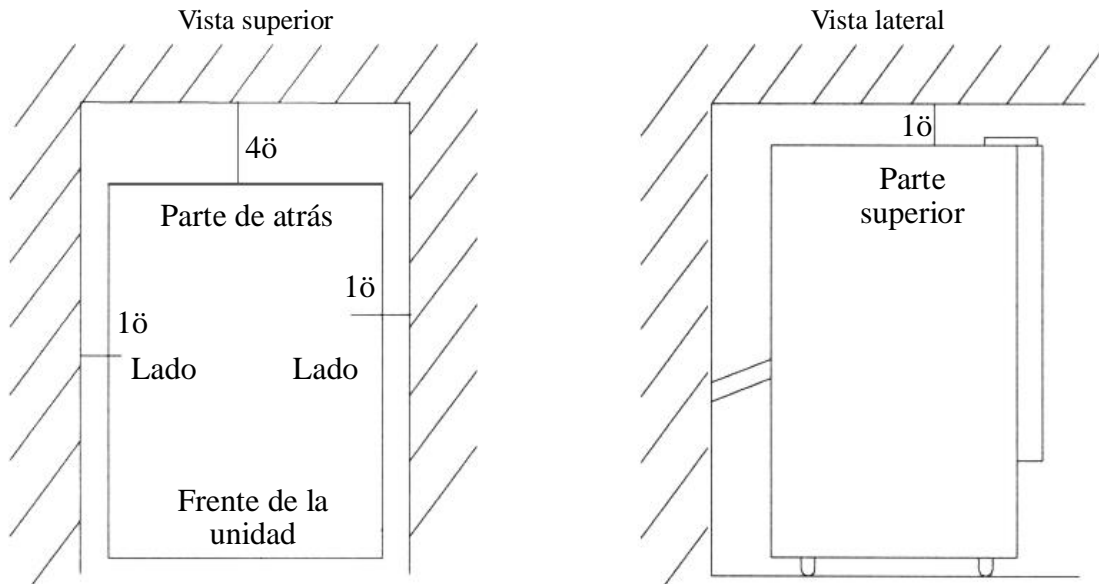
- Para ello, frotar enérgicamente con los dedos, en seco o con una solución de agua y detergente. Después limpiar con agua tibia y secar la superficie.
- No usar instrumentos filosos, alcohol, fluidos inflamables ni productos abrasivos de limpieza para quitar cinta adhesiva o residuos de adhesivo. Estos productos pueden dañar la superficie de la máquina.

Limpieza antes de poner en servicio la máquina

Después de quitar todos los materiales de embalaje, limpiar el interior de la máquina. Ver las instrucciones de «Limpieza interior» en la sección de *Limpieza y mantenimiento*.

Requisitos del lugar de instalación

DISTANCIAS DE INSTALACIÓN:



- Esta máquina debe ser instalada por el personal calificado.
- Para que la máquina tenga ventilación adecuada, no debe haber ninguna obstrucción en el frente de la misma.
- Para que haya suficiente circulación de aire, dejar una distancia mínima de separación de 100 mm (4ö) en la parte de atrás, 25 mm (1ö) en los lados, y 25 mm (1ö) en el parte superior. Debe quedar suficiente espacio para poder desplazar la máquina hacia adelante cuando fuera necesario hacer tareas de mantenimiento.
- Elegir un lugar bien ventilado para instalarla, con temperaturas superiores a 50° F (10° C) e inferiores a 100° F (38° C). Esta máquina DEBE instalarse en un lugar protegido contra el viento, la lluvia y el goteo de agua.
- No instalar la máquina para hacer hielo cerca de hornos, parrillas ni otros elementos que generen calor excesivo.
- El suministro de agua fría debe llegar por medio de un tubo en cobre suave de 6,35 mm (1/4"), con válvula de paso.
- La máquina debe recibir suministro continuo de agua, a una presión mínima de 15 psig y una presión estática nada menos que 80 psig. La temperatura del agua que entra a la máquina debe ser entre 41° F (5° C) y 90° F (32° C) para que la máquina funcione en condiciones óptimas.





ADVERTENCIA

La temperatura ambiente normal de servicio debe ser entre 50°F (10°C) y 100°F (38°C). La temperatura normal del agua debe ser entre 41°F (5°C) y 90°F (32°C). Si la máquina funciona por períodos prolongados fuera de estos valores de temperatura, se verá afectada su rendimiento.

- Normalmente es conveniente filtrar el agua que se suministra a la máquina. Un filtro adecuado para este tipo de servicio puede eliminar del agua olores, gusto y partículas suspendidas. El agua tratada por su dureza puede producir cubos de hielo blancos y porosos, que se pegan entre sí. No se recomienda el uso de agua desionizada.
- Las conexiones eléctricas y de agua y de la máquina para hacer hielo deben cumplir con todas las reglamentaciones vigentes que correspondan a nivel municipal y estatal.
- Instalar la unidad sobre una superficie firme y bien nivelada. Para que la máquina funcione correctamente, es importante que esté bien nivelada. Haciendo girar las rueditas, se puede regular la altura de la máquina. En la sección *Nivelación de la máquina* se pueden ver más detalles de este procedimiento.
- La máquina se debe conectar a un tomacorriente de 115 Voltios de corriente alterna, 60 Hz, 15 Amperes de capacidad, con descarga a tierra, instalado de acuerdo con el Código Eléctrico Nacional (National Electrical Code) y los reglamentos municipales.

IMPORTANTE: Asegurarse de que el cordón eléctrico no quede atrapado, torsionado ni presionado entre la máquina y otro objeto.

Requisitos de alimentación eléctrica

 PELIGRO 

<p>Peligro de electrocución</p> <p>Enchufar la máquina a un tomacorriente de 3 patas con descarga a tierra. No eliminar la pata de conexión a tierra del enchufe. No usar un adaptador de 3 a 2 patas. No usar un cordón prolongador para enchufar la máquina. El incumplimiento de estas instrucciones podría causar incendio, electrocución o un accidente fatal.</p>

Antes de trasladar la máquina a su lugar definitivo de instalación, verificar que la alimentación eléctrica sea la que corresponda.

La máquina se debe conectar a un tomacorriente de 115 Voltios de corriente alterna, 60 Hz, 15 Amperes de capacidad, con descarga a tierra, instalado de acuerdo con el Código Eléctrico Nacional (National Electrical Code) y los reglamentos municipales. La máquina siempre debe ser tapada en su propia salida eléctrica individual.

Es recomendable alimentar eléctricamente la máquina con un circuito exclusivamente dedicado a la misma. No usar un tomacorriente al que se pueda cortar la alimentación desde una llave de luz u otro interruptor común.

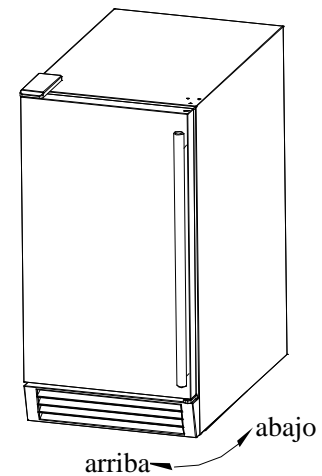
El fusible o interruptor termomagnético de alimentación del circuito debe ser de 15 amperes de capacidad.

Circuito de descarga a tierra

Por razones de seguridad personal, esta máquina debe tener circuito de descarga a tierra. La máquina viene equipada con un cordón eléctrico con un enchufe de 3 patas, una de las cuales es la conexión al circuito de tierra. Para reducir al mínimo las posibilidades de electrocución, el enchufe se debe conectar a un tomacorriente de 3 patas con circuito de descarga a tierra instalado de acuerdo con el Código Eléctrico Nacional (National Electrical Code) y los reglamentos municipales que correspondan. Si el tomacorriente disponible no tuviera tercera pata de descarga a tierra, es responsabilidad del usuario cambiarlo y hacer instalar un circuito de descarga a tierra con un electricista profesional.

Nivelación de la máquina

Para que la máquina funcione correctamente, es importante que esté bien nivelada. De otro modo, el agua no puede fluir apropiadamente por el evaporador (molde de hielo). La producción del hielo será menos que normal, y la operación será ruidosa. La máquina se puede levantar o puede ser bajada girando las vainas plásticas alrededor de cada una de las cuatro rueditas rodantes en el fondo de la máquina. Si usted encuentra que la superficie no es a nivel, gira las rueditas hasta que la máquina llegue a ser a nivel. Podría ser necesario hacer varios ajustes de la posición hasta que quede correctamente nivelada. Recomendamos usar un nivel del carpintero para verificar la máquina.



1. Coloque un nivel del carpintero encima de la máquina para ver si la máquina está nivelada de la frente hasta la parte trasera y de un lado al otro.
2. Ajuste la altura de las rueditas de la siguiente manera:
 - Gire a la derecha la ruedita para bajar ese lado de la máquina.
 - Gire a la izquierda la ruedita para levantar ese lado.

La combinación de cuatro rueditas permite que una sola persona pueda mover la máquina con facilidad. Es una práctica solución para mover la máquina sin mayor esfuerzo hacia adelante para limpiar y desinfectar la superficie inferior.

IMPORTANTE: Una vez que la máquina está instalada, ya sea en un gabinete o directamente sobre el piso, regular la altura de las patas para nivelarla y trabar los rodillos. Si el piso estuviera nivelado, simplemente girar las dos patas frontales hasta que toquen el piso.

Cambio del lado de apertura de la puerta

Herramientas necesarias: destornillador plano, destornillador Phillips

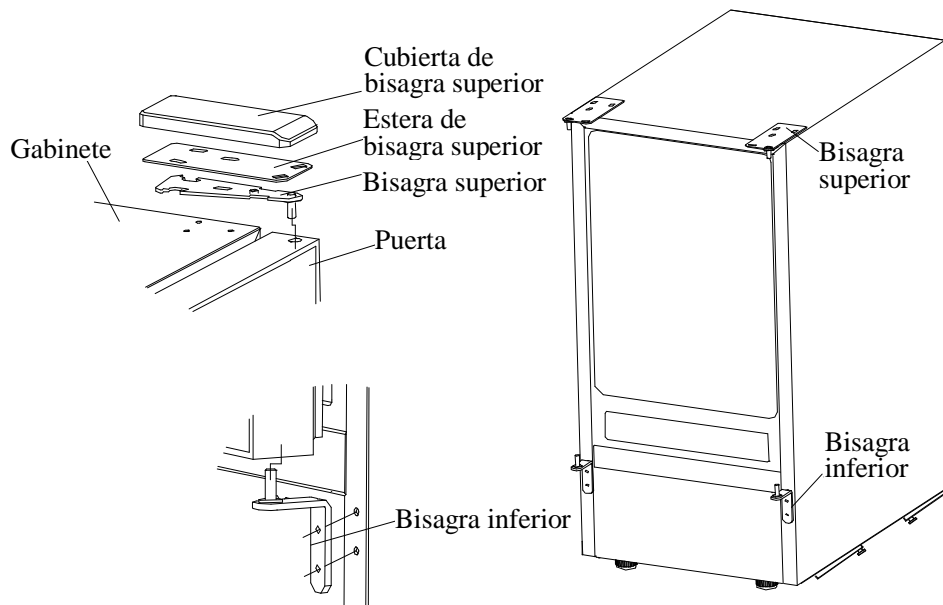
IMPORTANTE: Antes de comenzar, desenchufe la máquina o desconecta la potencia.

Para quitar la puerta de las bisagras:

1. Quite la cubierta de la bisagra superior.
2. Con un destornillador Phillips, quita los tornillos, la estera de la bisagra superior y la bisagra superior. Mantenga las partes juntas y apártelos.
3. Levante la puerta lejos de la bisagra inferior y gírela al revés para que el asidero esté a la derecha. Aparte la puerta.

Para reemplazar la puerta en las bisagras:

1. Con el destornillador plano, quita los tapón-botones de los hoyos de tornillo frente a las bisagras de puerta, superior y inferior. Apártelos.
2. Quite el panel de tablillas delantero. Apártelo.
3. Quite la bisagra inferior, colóquela en el lado opuesto en el fondo de la puerta.
4. Posicione la puerta sobre la bisagra inferior.
5. Alinee la puerta sobre la bisagra inferior y reemplace la bisagra superior y la estera de la bisagra superior.
6. Reemplace la cubierta de la bisagra superior.
7. Empuje los tapón-botones en los hoyos de tornillo originales.
Vea la figura abajo.



Conexiones de entrada de agua

La conexión de suministro de agua debe estar preparada en el lugar de instalación. La presión del suministro de agua debe ser una mínima de 15 psig con una presión estática nada menos que 80 psig. (La instalación se simplificará considerablemente si hubiera un tomacorriente directamente detrás de la máquina.)

IMPORTANTE:

1. *La instalación de plomería debe cumplir con los reglamentos municipales vigentes que correspondan. La instalación profesional se recomienda.*
2. *Tomar precauciones para no aplastar ni dañar las tuberías durante la instalación.*
3. *Al terminar las conexiones, verificar que no hayan pérdidas en las tuberías.*

Herramientas necesarias: Llave de boca abierta de ½", destornillador Phillips

Conexión de la línea de agua:

1. Cortar el paso de agua en la línea principal. Abrir la canilla más cercana para dejar salir toda el agua que haya quedado en la línea.
2. Buscar un tramo vertical de tubería de agua fría de ½" a ¾", que se encuentre a menos de 9 pies de distancia (unos 2,7 metros) del lugar de instalación, ya que el tubo de entrada de agua suministrado con la máquina tiene una longitud aproximada de 9 pies.
3. Instalar una válvula de paso en la línea de suministro de agua. Si la línea de agua tiene un tubo de cobre, conectar un acople a compresión de ¼" de diámetro externo y quitarle la tuerca.
4. Conectar las tuercas de la tubería de suministro de agua de la máquina a la línea de agua y la válvula de paso. Apriete firmemente a mano, entonces ajustar la conexión media vuelta con la llave.
5. Abrir el paso en la línea de agua y abrir la válvula de suministro de agua a la máquina. Verificar que las conexiones no tengan pérdidas. Si hubieran pérdidas, ajustar bien todas las conexiones (incluyendo las de la válvula).

IMPORTANTE: Cuando conecta la manguera para suministrar agua y la manguera de drenaje, preste atención a las indicaciones de "Entrada de agua" y "Salida de drenaje" en la máquina.

Drenaje

Conectar la línea de drenaje o no es opcional. Cuando usted escoge conectar la línea de drenaje, usted debe seguir el procedimiento en "Conexión de la línea de drenaje" abajo. Si no, siga apenas los pasos en "Si usted no conecta la manguera de drenaje". Sin embargo, se recomienda que se usa el desagüe cuando el fabricante de hielo está en la temperatura alta del ambiente o el consumo bajo de hielo para reducir la acumulación del agua en el recipiente.

Conexión de la línea de drenaje:

NOTA: Si hay una línea de drenaje cerca de la máquina para hacer hielo, la mejor opción deberá drenar el agua a la línea de drenaje por la manguera de drenaje proporcionada con la máquina.

1. Ubique el drenaje en piso cerca de la máquina para hacer hielo. La línea de drenaje debería estar a menos de 9 pies (unos 2,7 metros) de distancia de la máquina, ya que esa es la longitud aproximada de la manguera de drenaje suministrada con la máquina.
2. Ubique la salida de drenaje en el trasero de la máquina, entonces quite el tapón de drenaje posterior. Conectar la tuerca de la salida de drenaje a la manguera de drenaje, y insertar el otro extremo de la manguera al drenaje en piso.
3. Destornille la tuerca de drenaje de agua y saque el tapón en el trasero del recipiente de hielo.

NOTA: Almacene las tuercas y los tapones de drenaje en el compartimiento marcado Nut/Plug Storage a la parte trasera de la máquina o en otro lugar seguro.

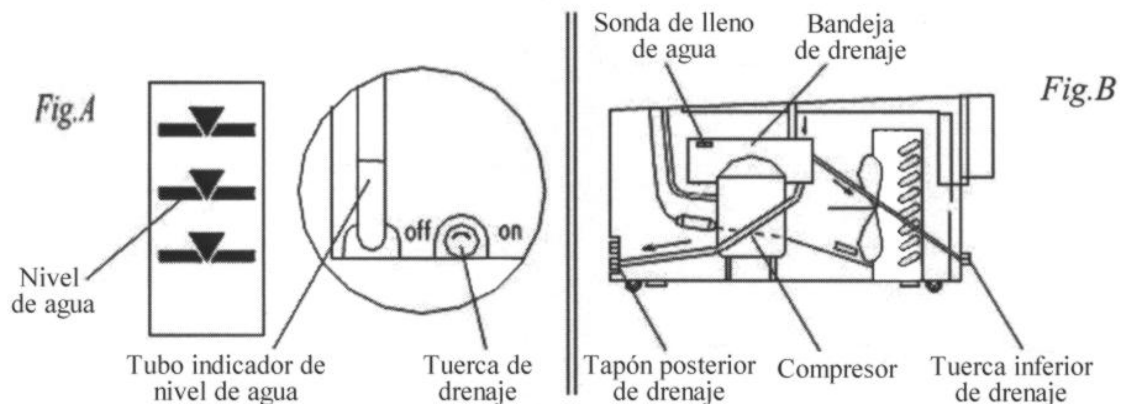
Todos los tramos horizontales de líneas de drenaje deben tener una pendiente mínima de ¼" por pie (21 mm por metro). Probablemente sea necesario que quede un espacio de aire entre la manguera de drenaje y el recipiente de drenaje. Para el receptáculo de drenaje, es aceptable un tubo vertical con un sifón detrás. Un drenaje de piso también es aceptable. Si eso no es posible, FRANKLIN recomienda el uso de una ñcondensate pumpõ. Contacte el servicio de ayuda por los clientes de Franklin Chef a 1-888-424-8278.

4. Cargar un galón (3,8 litros) de agua en el recipiente de hielo y comprobar que no hayan pérdidas en todas las conexiones de drenaje, incluyendo la tuerca del orificio de salida de drenaje de la máquina. Si se detectaran pérdidas, ajustar las conexiones y tuercas que correspondan.

Si usted no conecta la manguera de drenaje:

Cuando usted escoge no conectar la manguera de drenaje, la tuerca de drenaje de agua en el trasero del recipiente de hielo se debe apretar. El tapón de la salida de drenaje al trasero de la máquina se debe apretar también. El recipiente de hielo reúne el agua cuando se derriten los cubos de hielo. El nivel del agua del recipiente se puede ver por el tubo de indicador de agua. Cuando es requerido, el agua se debe descargar por la tuerca de drenaje en la frente del recipiente de hielo. La tuerca se debe apretar después. (No afloje ni quite esta tuerca en otros tiempos.) Vea la Figura A más abajo.

IMPORTANTE: El drenaje poco frecuente causará una tasa alta de derretir en el recipiente de hielo.



IMPORTANTE:

- *Desagüe regularmente el agua del recipiente de hielo o se arriesga una tasa alta de derretir en el recipiente si el nivel de agua alcanza el hielo.*
- *La unidad desagüa el agua de condensación a la bandeja de drenaje encima del compresor. (Vea la Figura B.) Esta agua es evaporada lentamente por el calor engendrado por el compresor. Si la bandeja de drenaje encima del compresor llega a ser llena de agua, esta es discernida por la sonda de lleno de agua y la máquina se apaga automáticamente. Al mismo tiempo, la máquina arroja una señal de alarma, y los LEDs rojo, verde y amarillo en el tablero de control al frente de la unidad destellan juntos. Una vez que el agua excesiva se desagüa por la tuerca de drenaje en el fondo de la máquina, la unidad empezará a funcionar otra vez automáticamente.*

Tipos de instalación

Esta máquina para hacer hielo se ha diseñado para instalación libre (sola, no empotrada). No obstante se puede ser también en cerramiento (insertada, pero no empotrada) y empotrada. En cada caso, debe tener el espacio aéreo adecuado alrededor de la unidad para ventilación (vea los esquemas en la página 34).

Instalación libre:

La máquina se puede instalar independientemente en cualquier lugar adonde se tenga acceso a una línea de agua. Para la instalación, se deben seguir todas las instrucciones mencionadas anteriormente, en lo referido a:

- a. Requisitos de la instalación eléctrica
- b. Conexión a línea de suministro de agua
- c. Nivelación de la máquina.

Instalación en cerramiento:

En este caso, la máquina se puede instalar bajo un gabinete o bajo un mueble de cocina, manteniendo las distancias de separación que corresponden. El resto de la instalación debe cumplir los mismos requisitos mencionados para la instalación libre.

Instalación empotrada:

Si este método de instalación se escoge, será todavía necesario tener el espacio aéreo adecuado alrededor de la unidad para ventilación). Cuando la máquina se instale empotrada, observar las siguientes instrucciones adicionales:

1. Colocar la máquina frente al lugar de instalación. Desmontar los pies y colocar la máquina sobre el piso o sobre una plataforma (depende de las características de instalación).
2. Dejar preparadas las conexiones de suministro de agua y de drenaje antes de instalar la máquina.
3. Abrir el paso en la línea de agua y abrir la válvula de suministro de agua a la máquina. Verificar que las conexiones no tengan pérdidas. Si hubieran pérdidas, ajustar bien todas las conexiones (incluyendo las de la válvula) y tuercas.
4. Si el tomacorriente estuviera detrás del empotramiento, enchufar la máquina en este momento.
5. Mover la máquina a la posición definitiva.
6. Aplicar un sellante compatible con esta aplicación para cerrar el espacio entre el gabinete y la unidad.

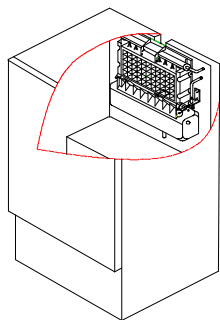
USO DE LA MÁQUINA

Listado de control final antes de la puesta en servicio

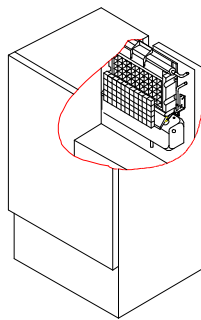
1. ¿Se han quitado todos los materiales de embalaje y cintas adhesivas del interior y exterior de la máquina?
2. ¿Se ha limpiado el recipiente de hielo?
3. ¿Se han seguido todos los pasos de instalación, incluyendo los concernientes a las conexiones de agua y electricidad?
4. ¿Se ha nivelado la máquina?
5. ¿La temperatura ambiente en el sitio de instalación de la máquina se mantiene entre 10° C (50° F) y 38° C (100° F) durante todo el año? Igualmente, ¿se mantiene la temperatura del agua corriente entre 5° C (41° F) y 32° C (90° F)?
6. ¿Se ha verificado que la presión del agua sea como mínimo 15 psig y con una presión estática nada más de 80 psig?
7. ¿Se ha dejado una separación mínima de 102 mm (4ö) en la parte de atrás de la máquina, y 25 mm (1ö) en la parte superior y en los lados para que haya suficiente circulación de aire?
8. ¿Se ha medido el voltaje de alimentación para verificar que cumpla con las especificaciones de la máquina? ¿Se ha verificado que la máquina esté conectada a un circuito de descarga a tierra?
9. ¿Está enchufada la máquina?
10. ¿Se encuentra abierta la válvula de paso de suministro de agua?
11. ¿Se ha comprobado que no hayan pérdidas en las conexiones de las tuberías de entrada de agua?

Método de uso

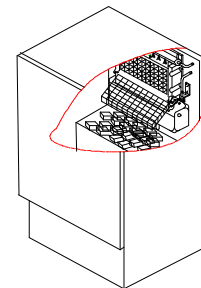
1. Prenda la canilla para agua, deje llenar el recipiente de agua, entonces encender la máquina con el interruptor ON/OFF al frente de la unidad. La máquina comenzará a funcionar automáticamente.



Etapa de hacer hielo



Etapa de recolección de hielo



Etapa de conservación del frío

2. Después de 3 minutos, la máquina pasará automáticamente a la etapa de hacer hielo y se escuchará el sonido de agua corriente.
3. Cuando la partida de hielo se ha formado completamente, los cubos serán cosechados automáticamente al recipiente de hielo.

4. Cuando el recipiente de hielo está repleto, la capa de cubos no caerá completamente y tendrá abierto el sensor de lleno de hielo. La máquina para hacer hielo y progresa automáticamente a la etapa de conservación del frío. Durante esta etapa, el compresor opera regularmente para mantener la temperatura más baja para reducir derretir del hielo.
5. La unidad comenzará a hacer hielo otra vez después que los cubos de hielo se quitan. En aquel momento, la sonda de lleno de hielo oscila hacia atrás a la posición operadora.

IMPORTANTE:

- *Si bien la máquina ha sido probada y limpiada en fábrica, puede pasar mucho tiempo almacenada y en tránsito. Por ello, se debe desechar la primera partida de cubos de hielo.*
- *No cortar nunca el suministro de la línea de agua cuando la máquina está en funcionamiento.*
- *¡Nunca toque el evaporador cuando la máquina está en marcha!*
- *Aparte de tomar hielo de la unidad, mantiene cerrada la puerta para reducir derretir y para asegurar la formación apropiada del hielo.*
- *Desagüe regularmente el agua del recipiente de hielo.*
- *Desagüe el agua de la bandeja de drenaje encima del compresor en destornillando la tuerca de drenaje inferior cuando la unidad apaga y sona regularmente una alarma.*

Ciclos de funcionamiento de la máquina

Gire el interruptor ON/OFF a la posición ON (Prendido). La máquina comenzará automáticamente la etapa de hacer hielo.

La máquina tiene dos ciclos distintos: congelamiento y recolección.

En el ciclo de congelamiento, el agua fluye a la superficie del evaporador. En el ciclo de recolección, se transfieren los cubos de hielo al recipiente y se vuelve a cargar agua en la máquina. Un ciclo completo puede durar 20 minutos más o menos, pero depende de la temperatura y de las condiciones operadoras.

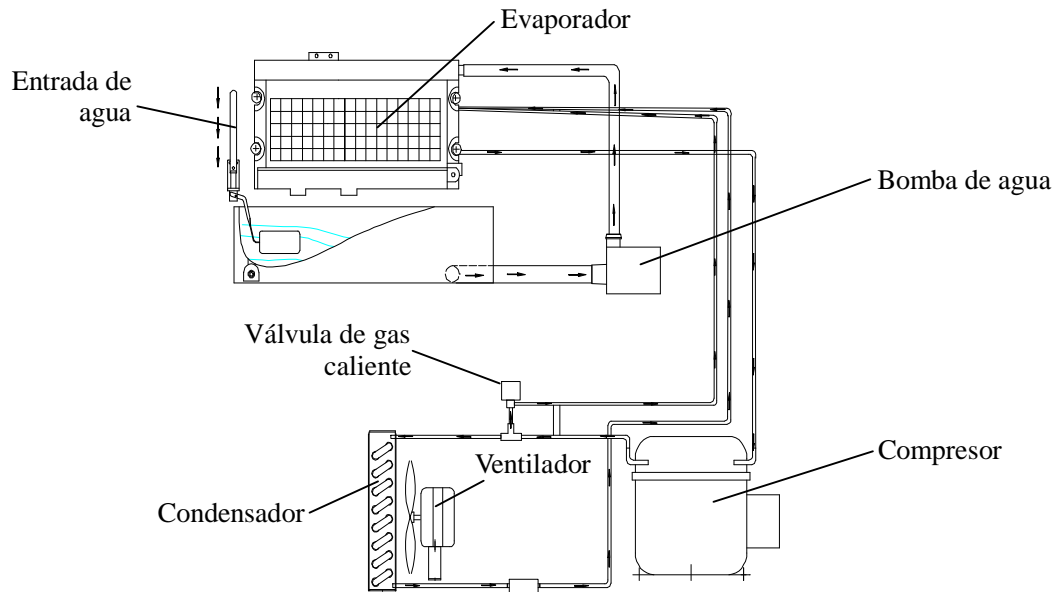
Congelamiento: Durante el ciclo de congelamiento, el compresor bombea refrigerante, el ventilador hace circular aire y la bomba de agua hace circular agua. Cuando la partida de hielo se ha formado completamente, la máquina interrumpe el ciclo de congelamiento y comienza a recoger los cubos de hielo.

Recolección: Durante el ciclo de recolección de hielo, el compresor continúa funcionando, pero se detiene la bomba de agua. La válvula de gas caliente se abre, desviando el gas refrigerante caliente en el evaporador. El gas entibia el evaporador, causando que se deslicen los cubos, como una unidad, del evaporador y en el recipiente de hielo. El ciclo de congelamiento comenzará otra vez cuando se han recogido todos los cubos.

El circuito de agua en la máquina

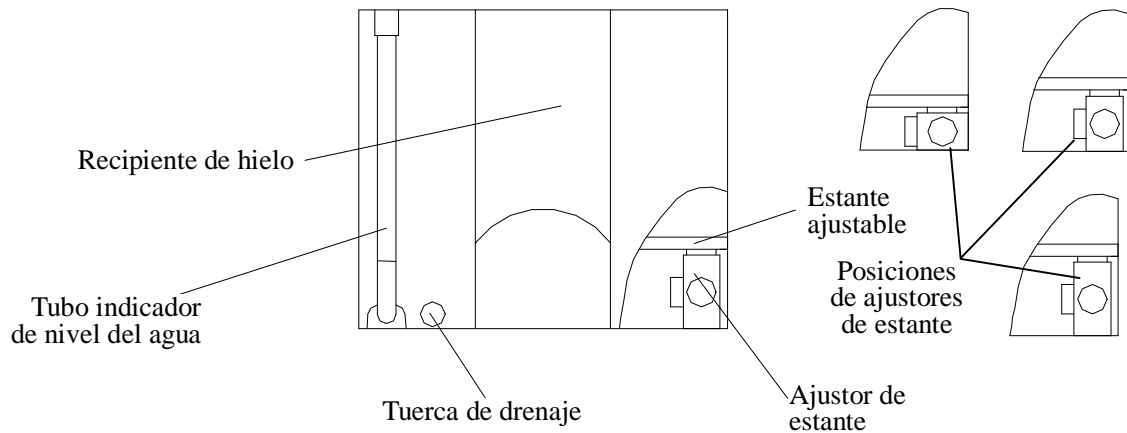
La máquina inicia su ciclo con el recipiente de agua cargado. Cuando el agua fluye a la superficie del evaporador, se congela y se adhiere a los moldes de cubos, a excepción contiene impurezas minerales, la cual vuelve a caer en el recipiente. Durante el proceso de hacer hielo, el agua fresca entra continuamente en el recipiente de agua como el agua del

recipiente congela continuamente en el evaporador.



Cómo ajustar la capacidad del recipiente de hielo

La capacidad del almacenamiento del hielo se puede aumentar o puede ser disminuida en moviendo el estante ajustable a colocaciones diferentes. Usted puede decidir la ubicación la más eficiente del estante según su uso de hielo.



Sonidos normales

La máquina para hacer hielo emite algunos sonidos que aunque parezcan extraños, son parte de su funcionamiento normal. Algunas de las superficies duras que rodean la máquina, tal como el piso, las paredes y los gabinetes, contribuyen a que estos sonidos se perciban aún más fuerte de lo que realmente son. A continuación se describen los sonidos a los que el usuario podría no estar acostumbrado y la causa de los mismos.

- Podría escucharse un ruido vibratorio, que es causado por la circulación de gas refrigerante o de agua. Si hay objetos colocados sobre la máquina, también podrían hacer ruido.

- El compresor de alto rendimiento podría hacer un ruido pulsante o agudo.
- El agua corriente puede hacer un sonido de chapoteo.
- También podría escucharse el sonido de la circulación de aire por el ventilador del condensador.
- Durante el ciclo de recolección, se escuchará el ruido de los cubos de hielo cayendo en el recipiente.

Preparación de la máquina para almacenamiento prolongado

Si la máquina no se usará por un tiempo largo o será trasladada a otro lugar, es necesario vaciar el circuito de agua.

- Cerrar el paso de la línea principal de agua corriente.
- Desconectar la tubería de suministro de agua de la entrada de agua.
- Cortar la alimentación eléctrica principal del circuito adonde está enchufada la máquina.
- Saque el recipiente de hielo para quitar el hielo y el agua. Séquelo.
- Quite el tubo de drenaje del recipiente de agua para desaguar toda el agua.
- Abrir la puerta para facilitar la circulación de aire y evitar la formación de moho.
- Dejar la línea de agua y el cordón eléctrico desconectados hasta que la máquina esté lista para entrar nuevamente en servicio.

IMPORTANTE:

- *No toque el enchufe cuando las manos se mojan.*
- *Nunca desenchufe la unidad estirando en el tapón. Agarre el enchufe y lo estire fuera firmemente.*

LIMPIEZA Y MANTENIMIENTO

PRECAUCIÓN

Si la máquina no se ha usado por un período largo, limpiarla bien antes de volver a ponerla en servicio. Seguir las instrucciones de uso proporcionadas con el producto de limpieza o la solución desinfectante. Asegurarse de que no queden residuos de la solución de limpieza en el interior de la máquina.

La limpieza y el mantenimiento periódico de la máquina prolongará su vida útil y permitirá que funcione siempre con máxima eficiencia. La frecuencia sugerida de mantenimiento se basa en condiciones normales de servicio, pero se puede aumentar si hay animales domésticos, si la unidad se usa en exteriores o hubieran otras condiciones especiales.

Lo que no se debe hacer:

No usar el recipiente de hielo para guardar otras cosas. Objetos tales como botellas de vino y de cerveza pueden traer suciedad y si la etiqueta se saliera, pueden taponar la salida de drenaje.

Hay 5 cosas que se deben mantener siempre limpias:

1. El exterior
2. El interior
3. El condensador
4. El tubo de distribución de agua
5. El sistema para hacer hielo.



ADVERTENCIA

Antes de proceder con la limpieza y el mantenimiento, verificar que esté cortada la alimentación eléctrica a la unidad y que esté cerrado el paso de agua. (EXCEPCIÓN: la limpieza del sistema de hacer hielo)

Limpieza externa

La puerta y el gabinete se pueden limpiar con una solución de detergente y agua tibia, preparada, por ejemplo, con una onza de detergente de cocina con 2 galones (7,5 litros) de agua tibia. No usar productos limpiadores con solvente ni abrasivos ni fuertes para limpiar la unidad. Utilizar una esponja suave y enjuagar con agua limpia. Secar con una toalla limpia de tela suave, para evitar que queden manchas de agua.

Si el panel de la puerta es en acero inoxidable, puede discolorarse si entra en contacto con gases de cloro; debe limpiarse minuciosamente. Limpiar el acero inoxidable con una solución de detergente y agua tibia, y enjuagarlo con un paño húmedo. No usar productos de limpieza abrasivos.

Limpieza interna

Limpiar de vez en cuando el recipiente de cubos de hielo. Además, el recipiente de agua se debe limpiar antes de poner la máquina en servicio por primera vez y antes de volver a usarla después de un período prolongado de inactividad. Normalmente es conveniente limpiar el recipiente de agua después se ha limpiado el sistema de hacer hielo y el recipiente de hielo está vacío.

1. Desconectar la alimentación eléctrica a la unidad.
2. Abrir la puerta y quitar el recipiente de hielo amovible. Con un paño limpio, limpiar el interior de la unidad con una solución desinfectante compuesta, por ejemplo, de una onza de blanqueador de uso doméstico o cloro puro, y 2 galones (7,6 litros) de agua caliente (95° a 115° F de temperatura).
3. Enjuagar bien con agua limpia.
4. Destornillar la tuerca de drenaje inferior colocada en el frente de la unidad para desaguar completamente el agua en un balde.

5. Volver a poner el recipiente de hielo, limpiado y vacío, dentro de la unidad.
6. Volver a conectar la alimentación eléctrica a la unidad.

Lavar la cuchara de hielo regularmente, de la misma forma que se lava cualquier otro utensilio de cocina.



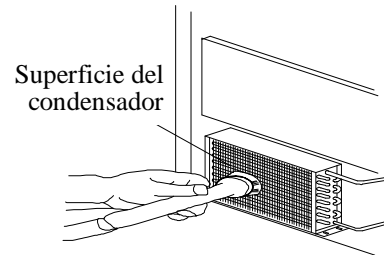
ADVERTENCIA

NO usar productos de limpieza con solvente ni abrasivos en el interior de la máquina, ya que pueden impregnar de olor los cubos de hielo y dañar o decolorar la superficie interior.

Limpeza del condensador

Un condensador sucio o taponado reduce la circulación de aire y consecuentemente afecta la capacidad de hacer hielo y eleva la temperatura de la máquina, con el riesgo de causar la falla de componentes. Limpiar el condensador al menos una vez cada seis meses.

1. Desconectar la máquina o cortar la alimentación de la línea.
2. Quitar suavemente el panel de tablillas al fondo delantero.
3. Localizar el filtro del condensador. Esto se puede levantar afuera y limpiar con un cepillo o el agua corriente.
4. Con una aspiradora usando el aditamento de cepillo, limpiar la tierra y las pelusas de las aletas del condensador, y limpiar el compartimiento.
5. Volver a colocar el filtro y la tapa frontal.
6. Volver a enchufar la máquina o conectar la alimentación eléctrica de la línea.



ADVERTENCIA

NO TOCAR las aletas del condensador, ya que son filosas y se pueden dañar con facilidad.

Limpeza del tubo de distribución de agua

Cuando los cubos de hielo se forman incompletamente o la salida de cubos es baja, el tubo de distribución de agua se puede bloquear. Ponga el interruptor ON/OFF en OFF (Apagado), gire el tubo, y localice los hoyos en el tubo de distribución. En usando un palillo de dientes o una herramienta semejante, drague los hoyos, entonces gire el tubo de distribución de agua a su posición original. Si el tubo se bloquea mal, lo limpie de esta manera:

1. Corte el suministro de agua.
2. Desconecte la manguera de agua del tubo de distribución.
3. Levante el lado derecho, entonces quite el tubo de distribución.

4. Con un cepillo, limpie el tubo con una solución diluida de agua tibia y un detergente templado como el líquido para lavar platos. Después de quitar la suciedad y la pelusa de la superficie, enjague el tubo con agua limpia.
5. Reemplace el tubo de distribución.
6. Conecte de nuevo el suministro de agua.

Limpieza del sistema para hacer hielo

Los minerales que se van extrayendo durante el ciclo de congelamiento, formarán con el tiempo incrustaciones duras en el circuito de agua. La limpieza regular del sistema ayuda a eliminar estas incrustaciones. La frecuencia con que se debe limpiar el sistema dependerá de la dureza del agua y cuán efectiva puede ser su filtración. Con una dureza del agua de 15 a 20 grains/galón (260 a 325 mg/litro), podría ser necesario limpiar el sistema una vez cada 6 meses.

1. Cerciórese que no hay hielo en el evaporador. Si el hielo se hace, espere hasta que el ciclo se completa, entonces apaga la máquina (OFF) en el interruptor ON/OFF.
2. Quite todo el hielo del recipiente.
3. Mantener conectada la línea de agua. Cargar en el recipiente de agua 8 onzas de solución de limpieza Nickel-Safe. Poner el interruptor ON/OFF en la posición ON y aprete el botón CLEAN (Limpiar). Ahora la máquina funcionará en modo de limpieza automática.
4. Esperar unos 30 minutos para que se haga una buena limpieza. Apagar la máquina con el interruptor (OFF). Descargar el agua residual de la limpieza en un balde por medio de un tubo del drenaje en el frente del recipiente de agua.
AVISO: No desagüe el agua de desecho al interior del gabinete.
5. Enjuagar el sistema 3 veces, repitiendo los pasos 3 y 4 (sin la solución de limpieza).
AVISO: No es necesario usar solución de limpieza en el recipiente de agua para enjuagar el circuito del sistema.

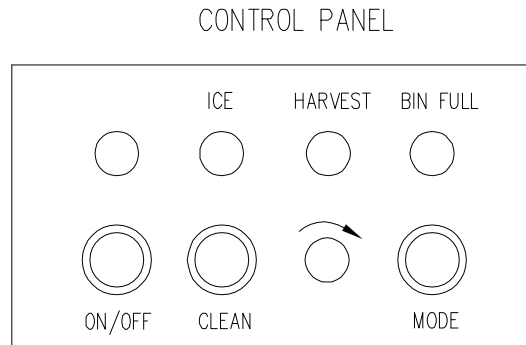


ADVERTENCIA

El producto de limpieza para la máquina contiene ácidos.
No mezclarlo ni usarlo con otros productos limpiadores con solvente.
Usar guantes de goma para protegerse las manos. Leer atentamente las instrucciones de seguridad en la etiqueta del envase del producto de limpieza.
DESECHAR la primera partida de hielo producida después de la limpieza.

6. Preparar una solución desinfectante con una onza de blanqueador de uso doméstico o cloro puro, y dos galones de agua caliente (95° a 115°F). Limpiar minuciosamente el interior y el exterior del recipiente.
7. Cargar la solución desinfectante en un rociador y aplicarlo en todas las esquinas, los bordes y las superficies expuestas.
8. Dejar la solución en contacto con las superficies al menos durante 3 minutos antes de secarla.
9. Repetir el paso 5 para enjuagar una vez más el sistema para hacer hielo.
10. Poner el interruptor ON/OFF en la posición ON. Ahora la máquina iniciará el ciclo regular de congelamiento para hacer hielo. Descartar la primera partida de cubos de hielo.

Tablero de control



Descripción de luces (LED) y botones:

- LED rojo:** Luz indicadora de recipiente de hielo lleno
Cuando se enciende esta luz, significa que se ha colmado el recipiente de hielo o que hay algo obstruyendo la sonda de lleno de hielo. La máquina se detendrá automáticamente. Cuando disminuye la cantidad de hielo en el recipiente, la sonda detecta el espacio libre y la luz roja queda encendida intermitentemente durante tres minutos. Luego la máquina arranca automáticamente para hacer más hielo.
- LED verde:** Luz indicadora de ciclo de congelamiento
Cuando se enciende esta luz en forma continua, significa que la máquina está haciendo hielo, controlada por un sensor de temperatura en el evaporador. Cuando la luz se enciende en forma intermitente, significa que la máquina está haciendo hielo, controlada por un regulador eléctrico fijo.
- LED amarillo:** Luz indicadora de ciclo de recolección
Cuando se enciende esta luz en forma continua, significa que la máquina está en el ciclo de recolección de hielo, controlada por la sonda de lleno de hielo.
Cuando la luz verde y la luz amarilla se encienden, significa que la máquina está en la etapa de conservación del frío.
- Botón de modo:** Se usa fundamentalmente para mantenimiento y servicio de la máquina. Al oprimir este botón, la máquina pasa de modo de congelación (hacer hielo) a modo de recolección de hielo, y viceversa. Se puede saber en qué modo está la máquina, según esté encendida la luz verde o la luz amarilla.

FUNCIONES PRINCIPALES

1. Activación de funcionamiento es totalmente automático.
2. Cuando el recipiente de hielo está lleno, la máquina se detiene la fabricación de hielo y progresa automáticamente a la etapa de conservación del frío. Vuelve a arrancar cuando el nivel de cubos haya descendido.
3. Cuando la bandeja de drenaje encima del compresor está repleta de agua, la máquina se apaga y alarma en intervalos regulares. La máquina se arranca sólo cuando el agua se drena en destornillando la tuerca de drenaje inferior.
4. El color de las luces indica el modo (ciclo) de funcionamiento en que se encuentra la máquina.
5. La velocidad del motor del ventilador es proporcional a la temperatura ambiente. Si la temperatura ambiente es baja, el motor se detendrá a fin de que el sistema de enfriamiento funcione eficientemente.
6. Un sensor térmico de alta sensibilidad y un regulador eléctrico de precisión facilitan el funcionamiento de la máquina con máximo rendimiento.
7. Sistema de protección del compresor integrado al mismo.

DIAGNÓSTICO DE FALLAS

Antes de llamar al servicio de reparación

Si la máquina manifestara síntomas de estar funcionando defectuosamente, leer atentamente la sección de USO DE LA MÁQUINA en este manual. Si el problema continuara, leer la GUÍA DE DIAGNÓSTICO DE FALLAS más abajo y en las páginas siguientes. A veces, el problema es simple y se puede resolver sin llamar a un servicio técnico.

Guía de diagnóstico de fallas

Problema	Posible causa	Solución probable
La máquina no funciona.	Está desenchufada.	Enchufar la máquina.
	El fusible está quemado.	Cambiar el fusible, pero si se vuelve a quemar, llamar a un servicio técnico para detectar el cortocircuito en la máquina.
	El interruptor de encendido de la máquina está en posición OFF (máquina apagada).	Encender la máquina llevando el interruptor a la posición ON.
	El recipiente de hielo está lleno.	Sacar algo de hielo y verificar que el sensor de nivel no tenga una obstrucción.
	La bandeja de drenaje encima del compresor está llena.	Desagüe el agua en destornillando la tuerca de drenaje inferior.
No hay entrada de agua después que la máquina arranca.	Está cerrada la válvula de paso en la línea de suministro.	Abrir el paso en la línea de agua.
	La conexión a la línea de agua no está bien realizada.	Volver a hacer la conexión a la línea de suministro de agua.
La máquina hace hielo, pero el recipiente no se llena.	Condensador puede estar sucio.	Limpiar el condensador.
	Podría estar obstruida la circulación de aire en la máquina.	Revisar la instalación.
	La temperatura ambiente y la temperatura del agua son muy elevadas, o la máquina está muy cerca de un objeto que libera mucho calor.	Revisar la instalación.
Hay pérdida de agua.	Podría haber caído agua al piso al abrir la puerta para sacar hielo del recipiente.	Condensación normal en la puerta o agua presente en el recipiente de hielo. Sacar hielo con cuidado.
	Pérdida en la conexión de agua.	Ajustar bien el acople de unión. Véase la sección <i>Conexión de la línea de agua</i> .
	El tubo de drenaje es más alto que la salida de drenaje.	Baje el tubo de drenaje.

Problema	Posible causa	Solución probable
Los cubos de hielo no se terminan de formar o son de color blanco en la parte inferior.	No hay suficiente agua en el recipiente.	Verificar que la presión de agua no sea inferior a 15 psig.
		Revisar el filtro de agua: podría estar bloqueado.
		Comprobar que no exista una pérdida en el recipiente de agua.
La máquina hace ruido.	Los pies no están nivelados y trabados.	Nivelar y trabar los pies en posición. Véase la sección <i>Nivelación de la máquina</i> .
	Ciertos ruidos son normales.	Véase la sección <i>Sonidos normales</i> .
La máquina se para repentinamente cuando está haciendo hielo.	Se interrumpió la alimentación eléctrica.	Volver a conectar la alimentación eléctrica.
	La temperatura ambiente está fuera de la gama de temperaturas admisibles de servicio.	Cortar la alimentación eléctrica y dejar la máquina detenida hasta que la temperatura ambiente esté dentro de la gama admisible de valores.
	El recipiente está lleno de hielo.	Quite algunos cubitos de hielo. Verificar que no hay hielo en la sonda de lleno de hielo.
	La bandeja de drenaje encima del compresor está llena.	Desagüe el agua en destornillando la tuerca de drenaje inferior.
La máquina está electrizada.	La línea de descarga a tierra no está conectada.	Enchufar la máquina en un tomacorriente de 3 patas con descarga a tierra.
Se acumulan incrustaciones frecuentemente en el circuito interno de la máquina.	La dureza del agua es muy elevada.	Instalar un dispositivo ñablandorö de agua adelante de la válvula de paso de la línea de suministro.

GARANTÍA LIMITADA

Franklin Industries, L.L.C. garantiza este producto contra defectos de materiales y fabricación, por un período de un año a partir de la fecha original de compra del producto. Franklin garantiza también el compresor por 5 años con una garantía Piezas-solamente de la fecha de la compra. Toda pieza que se probara que es defectuosa será cambiada o reparada en su única discreción por Franklin Industries, LLC, sin cargos para el usuario, siempre y cuando se determine que la máquina fue usada de acuerdo con las instrucciones proporcionadas con el producto. Si la unidad resulta defectuosa, su primera línea de acción debe ser de seguir la norma de devolución del detallista.

Esta garantía es válida únicamente en territorio continental de Estados Unidos y no abarca los siguientes casos:

- Daños por conexión al voltaje incorrecto para la máquina o defectos de instalación
- Daños sufridos durante el transporte
- Defectos no relacionados con la fabricación
- Cualquier gastos de instalación que se pueden contraer
- Mano de obra ni reparaciones después de los primeros 12 meses de uso
- Daños causados por maltrato, uso indebido, accidentes, modificaciones y/o falta de cuidado y mantenimiento adecuados
- Conservación o reparaciones impropias o ejecutadas inexactamente
- Uso de piezas no recomendadas por Franklin Industries, LLC
- Daños debidos a actos de la naturaleza.

Esta garantía limitada se ofrece en reemplazo de cualquier otra garantía, sea expresa o implícita, y no cubre perjuicios directos ni indirectos. Algunos estados no permiten imponer la exclusión o limitación de daños incidentales o consiguientes, por lo tanto la limitación o excepción anterior no puede ser aplicable.

Esta garantía le confiere derechos establecidos por ley, pero usted también podría tener otros derechos que varían de un/una estado/provincia a otro/otra. Consulte las materias escritas que acompañan su producto para la operación segura y apropiada.

Esta garantía no se puede asignar.

Para solicitar servicios cubiertos por la garantía, comunicarse con:

Franklin Industries, LLC

4100 First Avenue

Brooklyn, NY 11232-3321

Tel.: 1-888-424-8278

E-mail: customerservice@franklinchef.com

Para solicitar servicios de garantía, es necesario tener los números de Modelo y de Serie, que se pueden encontrar en la etiqueta de datos en la parte de atrás de la máquina, así como también una prueba de la compra tal como un recibo de ventas o de obsequio.



Tested and certified to NSF standard 12 by NSF International
Probado y certificado por NSF International de acuerdo con la norma NSF 12

Free Manuals Download Website

<http://myh66.com>

<http://usermanuals.us>

<http://www.somanuals.com>

<http://www.4manuals.cc>

<http://www.manual-lib.com>

<http://www.404manual.com>

<http://www.luxmanual.com>

<http://aubethermostatmanual.com>

Golf course search by state

<http://golfingnear.com>

Email search by domain

<http://emailbydomain.com>

Auto manuals search

<http://auto.somanuals.com>

TV manuals search

<http://tv.somanuals.com>