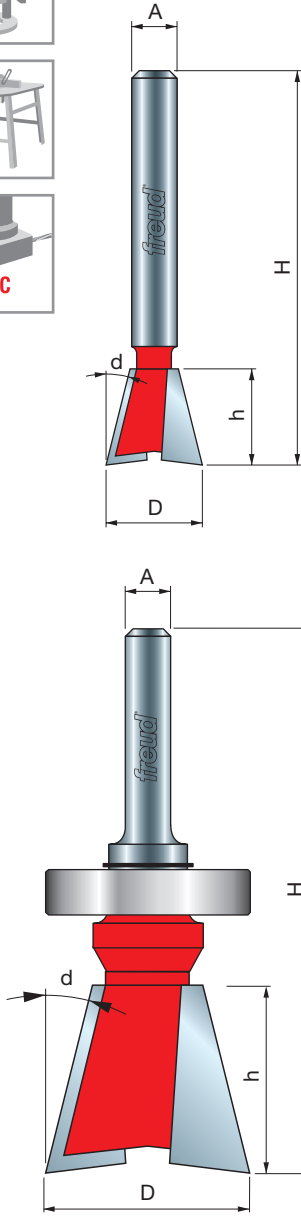




# Dovetail Bits

## Application: Strong, attractive joints for drawers and boxes

- Compatible with popular dovetail jigs, these bits produce smooth, intricate dovetail joints.
- Cuts all composition materials, plywoods, hardwoods, and softwoods.
- Use on CNC and other automatic routers as well as hand-held and table-mounted portable routers.

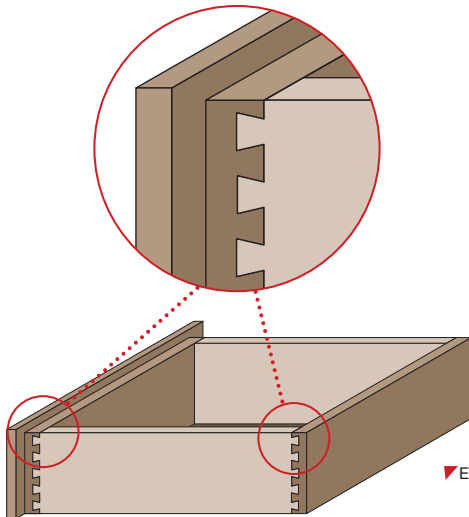


Item Number	Overall Dia.(D)	Carbide Height(h)	Angle (d)	Shank Dia.(A)	Overall Length(H)
22-100	1/4"	5/16"	7-1/2°	1/4"	2"
22-101	5/16"	3/8"	9°	1/4"	1-7/8"
22-102	3/8"	3/8"	9°	1/4"	1-7/8"
22-103	3/8"	3/8"	14°	1/4"	2-1/2"
22-104	1/2"	1/2"	14°	1/4"	1-7/8"
22-105	5/8"	7/8"	7°	1/4"	2-1/8"
22-106	3/4"	7/8"	7°	1/4"	2-1/8"
22-119	1/4"	1/4"	8°	1/4"	2"
22-120	3/8"	1/2"	8°	1/4"	2-1/2"
22-121	7/16"	5/8"	8°	1/4"	2-3/8"
22-122	1/2"	13/16"	8°	1/4"	2-3/4"
22-123	5/16"	3/8"	8°	1/4"	1-7/8"
22-124	1/2"	1/2"	14°	1/4"	2-5/8"
22-125	1/2"	5/8"	10°	1/4"	2-3/8"
22-126	9/16"	3/8"	14°	1/4"	2"
22-128	3/4"	7/8"	14°	1/4"	2-3/8"
22-129	1/2"	13/32"	8°	1/4"	2-5/32"
22-107	1/4"	5/16"	7-1/2°	1/2"	2-5/8"
22-108	5/16"	3/8"	9°	1/2"	2-1/8"
22-110	3/8"	3/8"	9°	1/2"	2-1/4"
22-112	1/2"	1/2"	14°	1/2"	2-1/4"
22-113	5/8"	7/8"	7°	1/2"	2-5/8"
22-114	3/4"	7/8"	7°	1/2"	2-5/8"
NEW 22-115*	17/32"	25/32"	7°	1/2"	2-3/8"
22-130	11/16"	1"	8°	1/2"	3-1/8"
22-132	13/16"	1-1/4"	8°	1/2"	3-3/8"
22-134	3/4"	3/4"	14°	1/2"	3-1/8"

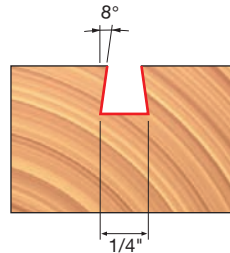
### Top Bearing Dovetail

22-505	5/8"	7/8"	7°	1/4"	2-5/8"
22-506	3/4"	7/8"	7°	1/4"	2-5/8"
22-507	3/4"	7/8"	14°	1/4"	2-5/8"
22-508	9/16"	3/8"	14°	1/4"	2-3/16"

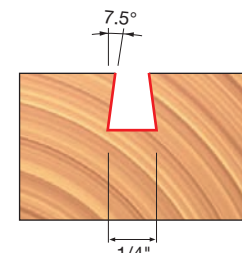
\* For use with Porter-Cable® Dovetail Jig #4212.



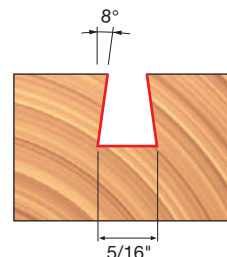
Example of Dovetail on drawer sides



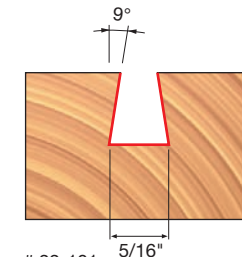
# 22-119



# 22-100  
# 22-107



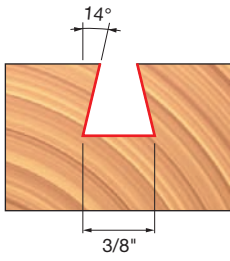
# 22-123



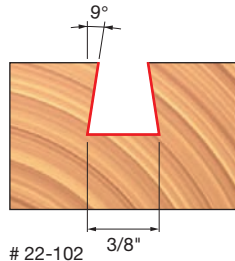
# 22-101  
# 22-108

(Continued)

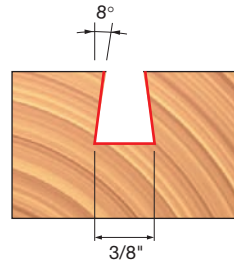
# Dovetail Bits



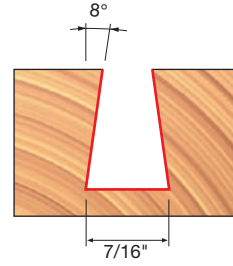
# 22-103



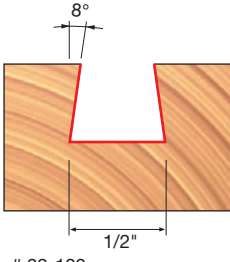
# 22-102  
# 22-110



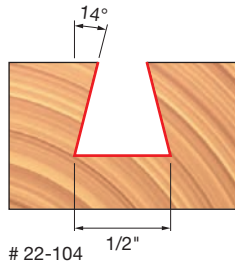
# 22-120



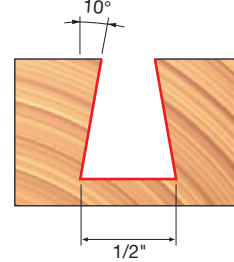
# 22-121



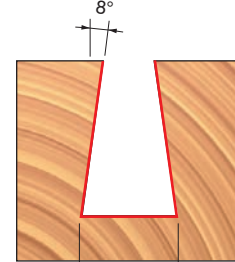
# 22-129



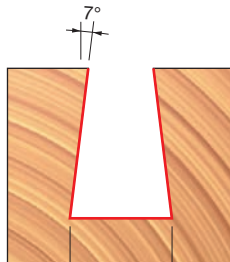
# 22-104  
# 22-124  
# 22-112



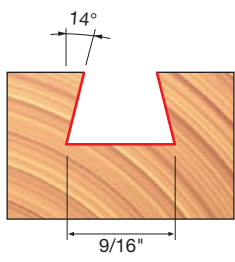
# 22-125



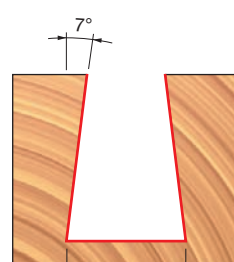
# 22-122



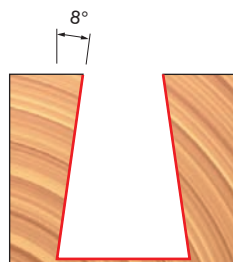
# 22-115



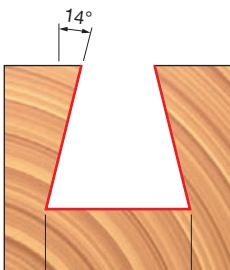
# 22-126



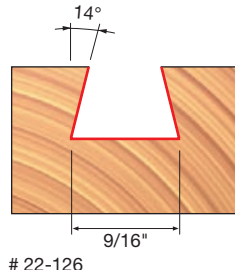
# 22-105  
# 22-113



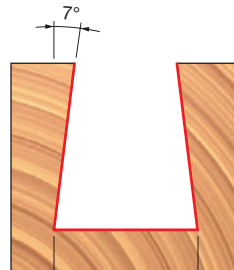
# 22-130



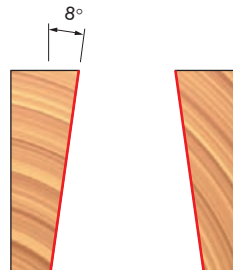
# 22-134



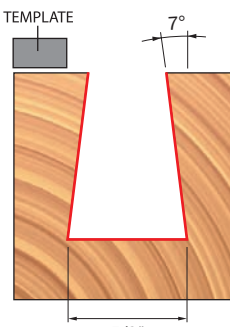
# 22-126



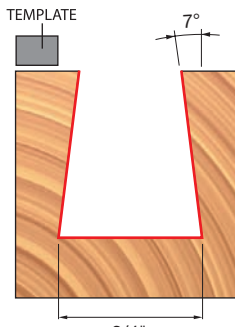
# 22-106  
# 22-114



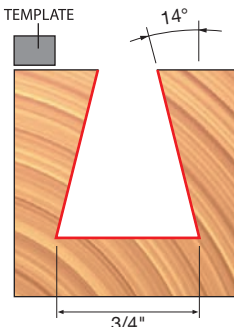
# 22-132



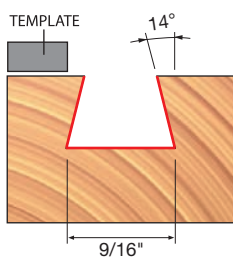
# 22-505 Top Bearing



# 22-506 Top Bearing



# 22-507 Top Bearing



# 22-508 Top Bearing

Red Item Numbers Indicate 1/2" Shank

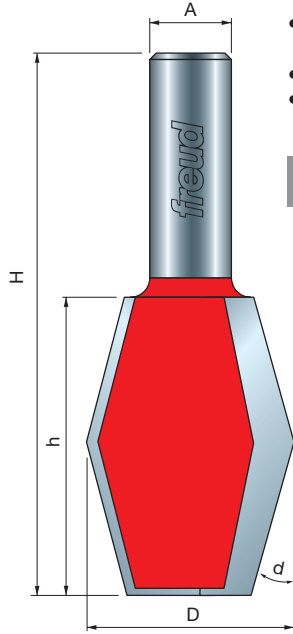
All Profile Drawings 1:1 Scale



# Butterfly Spline Bit

**Application: Sturdy, decorative design for exposed joints**

- This bit produces a strong, attractive method of joining wood. Use a 14-degree dovetail bit to produce the mating grooves.
- Cuts all composition materials, plywoods, hardwoods, and softwoods.
- Use on CNC and other automatic routers as well as hand-held and table-mounted portable routers.

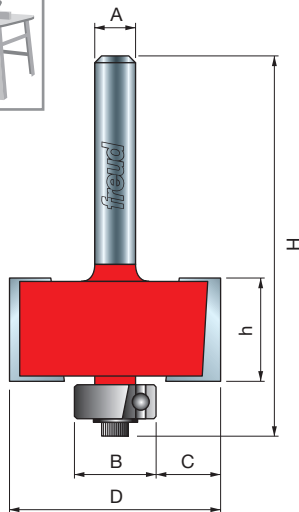


Item Number	Overall Dia.(D)	Small Dia.(n)	Carbide Height(h)	Angle (d)	Shank Dia.(A)	Overall Length(H)
24-106	1-1/8"	11/16"	1-3/4"	14°	1/2"	3-1/4"

# Rabbeting Bits

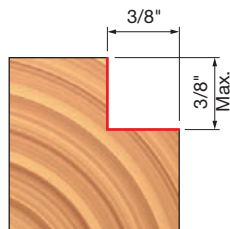
**Application: Joining boards and letting in back panels**

- Produces super smooth cuts on both surfaces of the rabbet.
- Steel pilots can be removed from bits and used with edge guides for wider rabbets.
- Cuts all composition materials, plywoods, hardwoods, and softwoods.
- Use on hand-held and table-mounted portable routers.

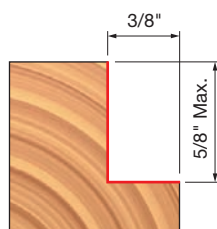


Item Number	Overall Dia.(D)	Bearing Dia.(B)	Cut Depth(C)	Carbide Height(h)	Shank Dia.(A)	Overall Length(H)
32-096	1-1/4"	1/2"	3/8"	3/8"	1/4"	2"
32-098	1-1/4"	1/2"	3/8"	5/8"	1/4"	2-1/4"
32-100	1-1/4"	1/2"	3/8"	1/2"	1/4"	2"
32-101	1-3/8"	3/8"	1/2"	1/2"	1/4"	2-1/4"
32-102	1-1/4"	1/2"	3/8"	1/2"	1/2"	2-1/4"
32-106	1-3/8"	3/8"	1/2"	1/2"	1/2"	2-1/4"
32-110	1-3/8"	3/8"	1/2"	3/4"	1/2"	2"

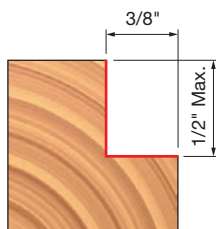
Steel Pilots						
32-302	1-1/4"	1/2"	3/8"	3/8"	1/4"	1-7/8"
32-306	1-1/4"	1/2"	3/8"	5/8"	1/4"	2"



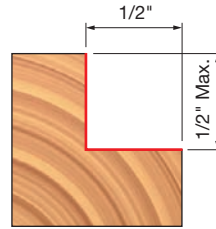
# 32-096  
# 32-302



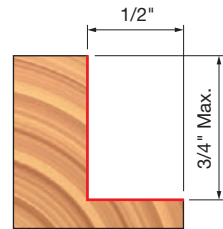
# 32-098  
# 32-306



# 32-100  
# 32-102



# 32-101  
# 32-106

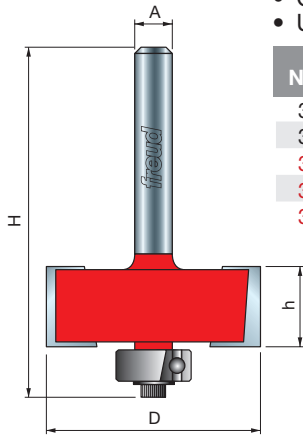
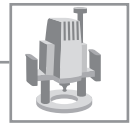


# 32-110

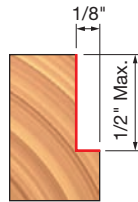
# Rabbeting Bits with Bearing Set

**Application: Joining boards and letting in back panels with different depths of cut**

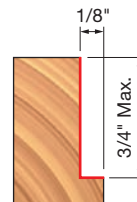
- With interchangeable bearings to cut rabbets of different depths, these sets produce super smooth cuts on both surfaces of the rabbet.
- 32-504, 32-524, and 32-526 can also be used as flush cutting trim bits.
- Wrench included.
- Cuts all composition materials, plywoods, hardwoods, and softwoods.
- Use on hand-held and table-mounted portable routers.



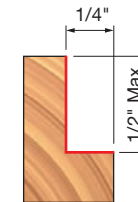
Item Number	Overall Dia.(D)	Rabbeting Depths	Carbide Height(h)	Shank Dia.(A)	Overall Length(H)
32-502	1-3/8"	5/16", 3/8", 7/16", 1/2"	1/2"	1/4"	2-1/4"
32-504	1-3/8"	flush, 1/8", 1/4", 5/16", 3/8", 7/16", 1/2"	1/2"	1/4"	2-1/4"
32-522	1-3/8"	5/16", 3/8", 7/16", 1/2"	1/2"	1/2"	2-1/4"
32-524	1-3/8"	flush, 1/8", 1/4", 5/16", 3/8", 7/16", 1/2"	1/2"	1/2"	2-1/4"
32-526	1-3/8"	flush, 1/8", 1/4", 5/16", 3/8", 7/16", 1/2"	3/4"	1/2"	2-1/2"



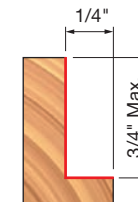
# 32-504  
# 32-524



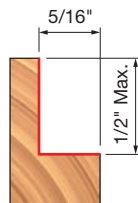
# 32-526



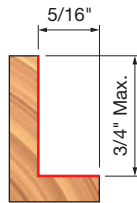
# 32-504  
# 32-524



# 32-526



# 32-502  
# 32-504  
# 32-522  
# 32-524



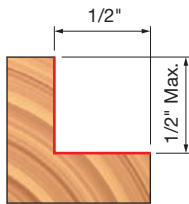
# 32-526



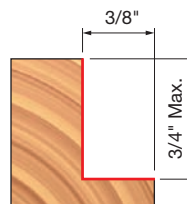
# 32-502  
# 32-504  
# 32-522  
# 32-524



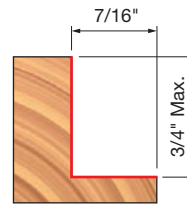
# 32-502  
# 32-504  
# 32-522  
# 32-524



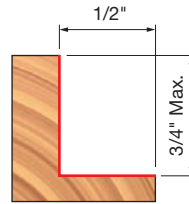
# 32-502  
# 32-504  
# 32-522  
# 32-524



# 32-526



# 32-526



# 32-526



**Both Sets Include the Wrench and Step Washers**

**Set of 4**

- 3/8" Bearing #62-102
- 1/2" Bearing #62-104
- 5/8" Bearing #62-113
- 3/4" Bearing #62-144

**Set of 7**

- 7/8" Bearing #62-146
- 1-1/8" Bearing #62-148
- 1-3/8" Bearing #62-150

- Wrench #62-402
- 1/2" STEP WASHER #62-313
- 3/8" STEP WASHER #62-311

Supplied 3/8" STEP WASHER to use when mounting 3/8" ball bearing only.

Red Item Numbers Indicate 1/2" Shank

All Profile Drawings 1:1 Scale



# Stacked Slotting Set

**Application: Producing grooves 1/8" to 23/32" wide**

- By changing the bearings this set will cut three different depths (1/4", 3/8", 1/2").
- Set includes Freud's slotting cutter arbor 60-202, 3 bearings and 4 specially designed slotting cutters.
- Cuts all composition materials, plywoods, hardwoods, and softwoods.
- Use on hand-held and table-mounted portable routers.

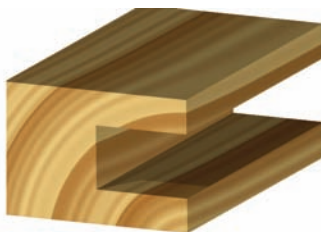
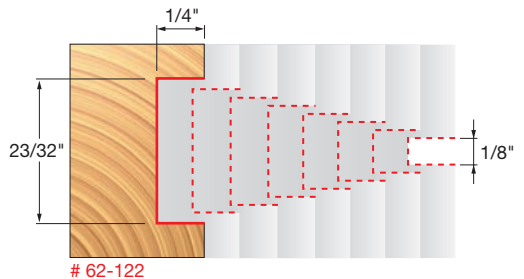
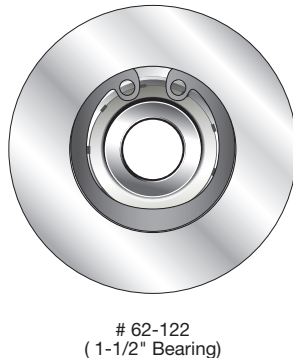
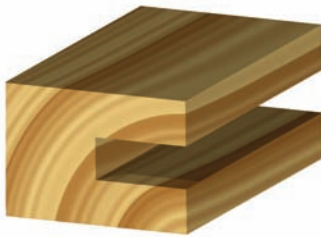
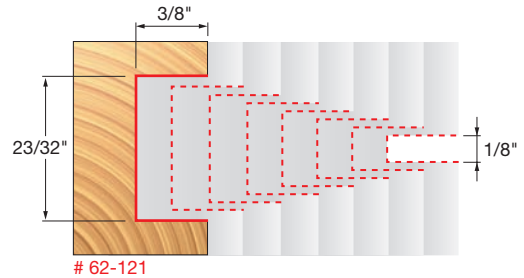
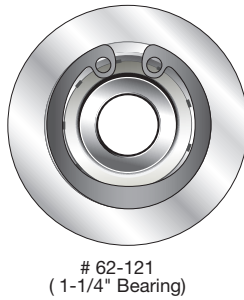
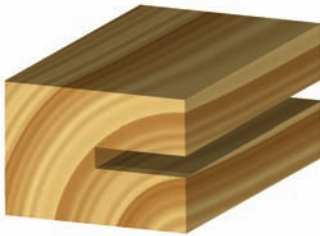
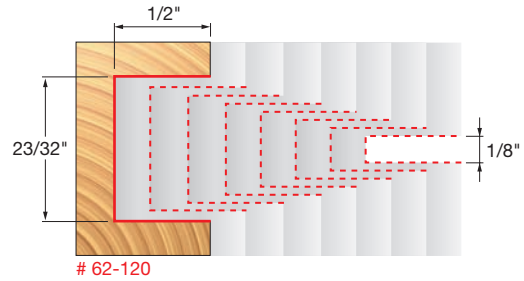
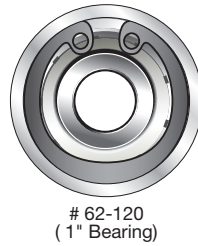
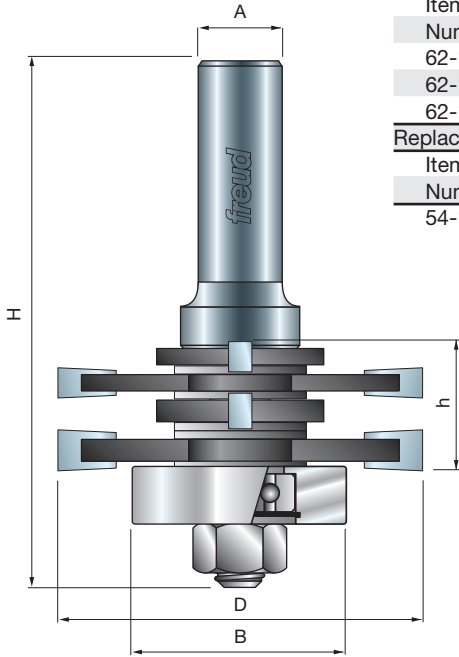
Item Number	Overall Dia.(D)	Carbide Height(h)	Shank Dia.(A)	Overall Length(H)
61-102	2"	1/8"-23/32"	1/2"	3-1/4"

### Replacement Bearings

Item Number	Bearing Dia.(B)	Cut Depth
62-120	1"	1/2"
62-121	1-1/4"	3/8"
62-122	1-1/2"	1/4"

### Replacement Cutters

Item Number	Overall Dia.	Carbide Height
54-108	2"	1/8"



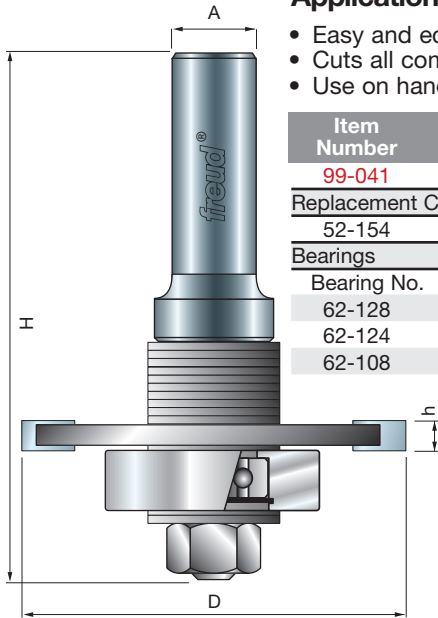
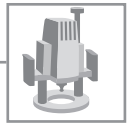
All Profile Drawings 1:1 Scale

Red Item Numbers Indicate 1/2" Shank

# Biscuit Joining Set

## Application: Creating perfect slots for biscuit joining

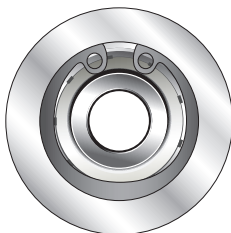
- Easy and economical way to join wood.
- Cuts all composition materials, plywoods, hardwoods, and softwoods.
- Use on hand-held and table-mounted portable routers.



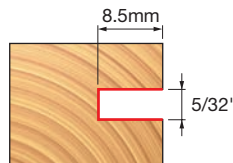
Item Number	Overall Dia.(D)	Carbide Height(h)	Shank Dia.(A)	Overall Length(H)
99-041	1-27/32"	5/32"	1/2"	3-1/4"
<b>Replacement Cutter</b>				
52-154	1-27/32"	5/32"	5/16"	-
<b>Bearings</b>				
Bearing No.	Size	Bearing Dia.	Cut Depth	
62-128	00	30mm	8.5mm	
62-124	10	26mm	10.5mm	
62-108	20	22mm	12.5mm	



Examples of various joint configurations ▲



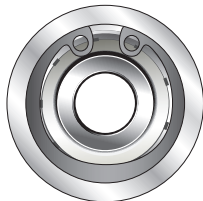
# 62-128  
(30mm Bearing)



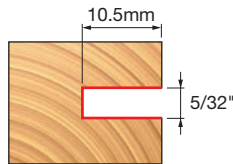
With Bearing  
# 62-128



Biscuit Size-00  
47mm x 15mm  
1-7/8" x 5/8"



# 62-124  
(26mm Bearing)



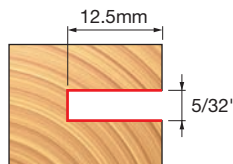
With Bearing  
# 62-124



Biscuit Size-10  
54mm x 19mm  
2-1/8" x 3/4"



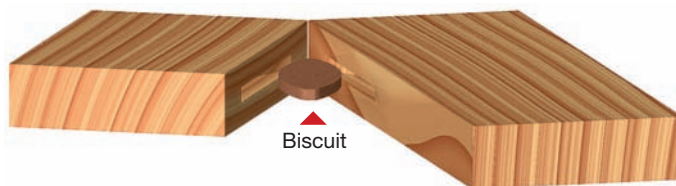
# 62-108  
(22mm Bearing)



With Bearing  
# 62-108



Biscuit Size-20  
59mm x 22mm  
2-3/8" x 7/8"



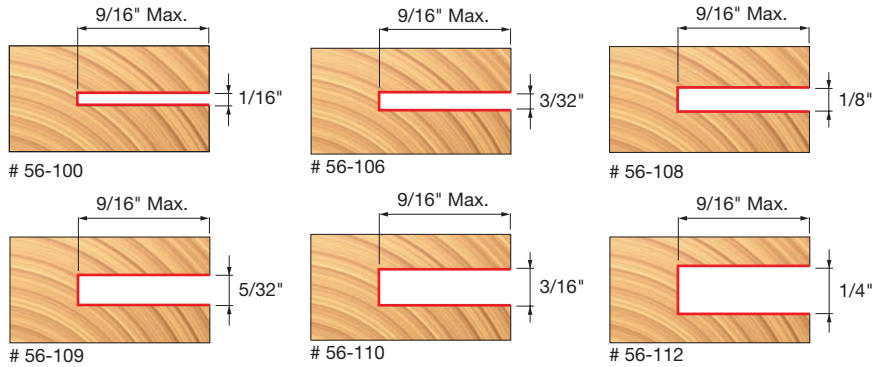
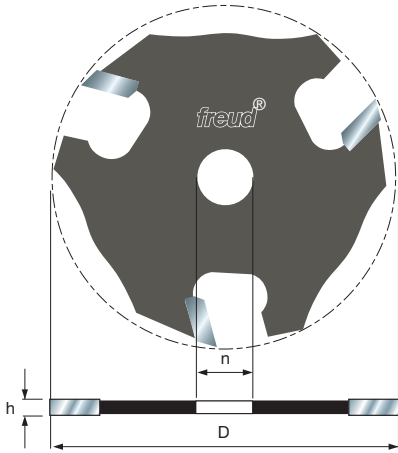


# Three Wing Slotting Cutters

**Application: Producing slots and grooves for T-moldings, spline joints, tongue & groove joints and many other applications**

- Should be used with Freud's slotting cutter arbors 60-100 for 1/4" shanks and 60-102 for 1/2" shanks.
- Compatible with 62-108 bearing.
- Cutter 56-109 can be used for biscuit joining.
- Cuts all composition materials, plywoods, hardwoods, and softwoods.
- Use on hand-held and table-mounted portable routers.

Item Number	Overall Dia.(D)	Number of Cutters	Bore Dia.(n)	Carbide Height(h)
56-100	2"	3	5/16"	1/16"
56-106	2"	3	5/16"	3/32"
56-108	2"	3	5/16"	1/8"
56-109	2"	3	5/16"	5/32"
56-110	2"	3	5/16"	3/16"
56-112	2"	3	5/16"	1/4"

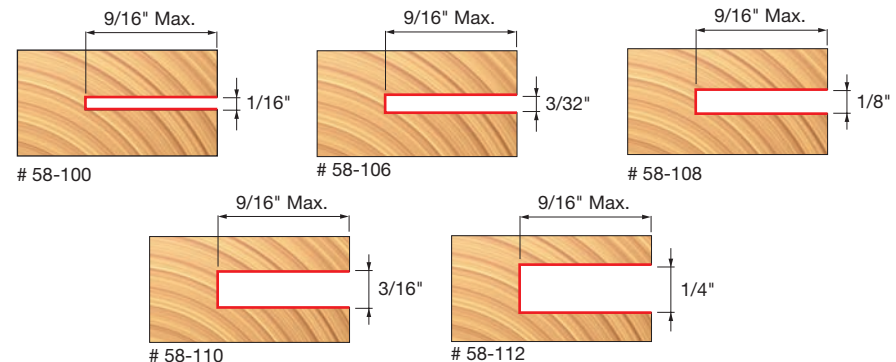
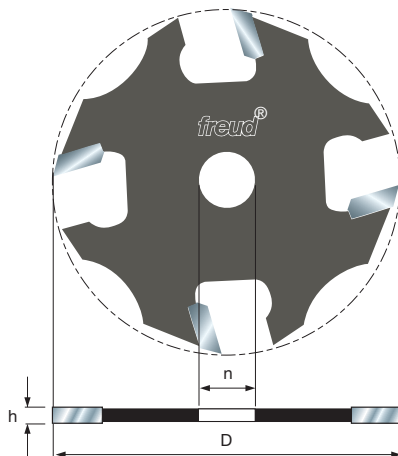


# Four Wing Slotting Cutters

**Application: Producing slots and grooves for T-moldings, spline joints, tongue & groove joints and many other applications**

- Should be used with Freud's slotting cutter arbors 60-100 for 1/4" shanks and 60-102 for 1/2" shanks.
- Compatible with 62-108 bearing.
- Cuts all composition materials, plywoods, hardwoods, and softwoods.
- Use on hand-held and table-mounted portable routers.

Item Number	Overall Dia.(D)	Number of Cutters	Bore Dia.(n)	Carbide Height(h)
58-100	2"	4	5/16"	1/16"
58-106	2"	4	5/16"	3/32"
58-108	2"	4	5/16"	1/8"
58-110	2"	4	5/16"	3/16"
58-112	2"	4	5/16"	1/4"



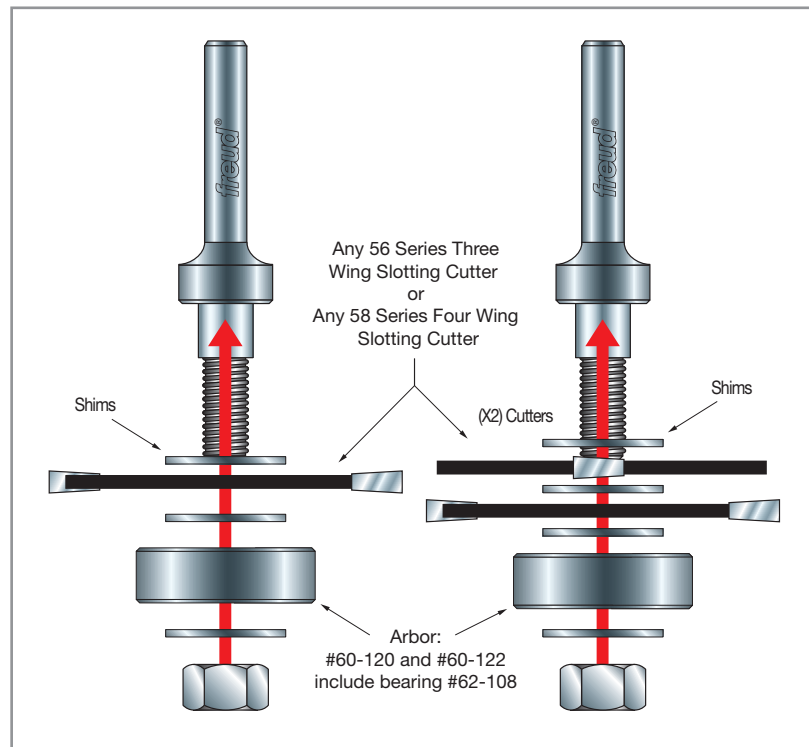
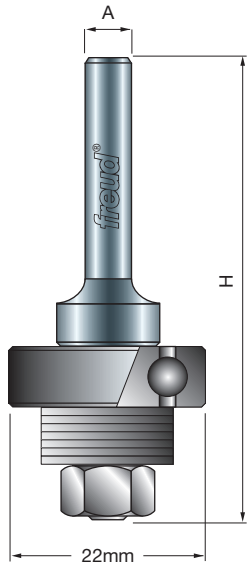
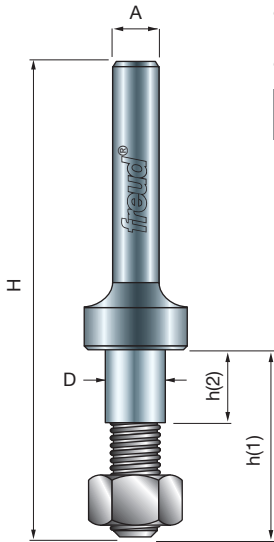
# Slotting Cutter Arbors

## Application: Producing smooth, precise, accurate slots

- For premium performance use with Freud slotting cutters, although compatible with any slotting cutter with a 5/16" bore.
- Use on hand-held and table-mounted portable routers.

Item Number	Arbor Dia.(D)	Stud Height(h1)	Arbor Height(h2)	Shank Dia.(A)	Overall Length(H)
60-100	5/16"	1"	25/64"	1/4"	2-3/8"
60-102	5/16"	1"	25/64"	1/2"	2-3/8"
60-120*	5/16"	1"	25/64"	1/4"	2-3/8"
60-122*	5/16"	1"	25/64"	1/2"	2-3/8"
60-152	5/16"	2-1/4"	5/8"	1/2"	4-1/4"

\* Includes bearing # 62-108





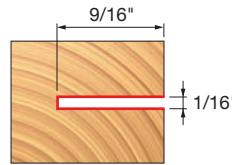
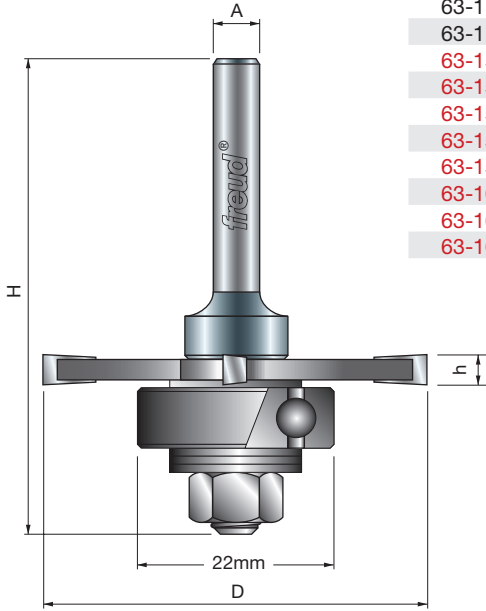


# Slotting Cutter Sets

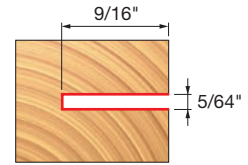
**Application: Producing slots and grooves 9/16" deep for T-moldings, Spline Joints, Tongue & Groove Joints, and other applications**

- Includes three wing slotting cutter, arbor and ball bearing.
- Cuts all composition materials, plywoods, hardwoods, and softwoods.
- Use on hand-held and table-mounted portable routers.

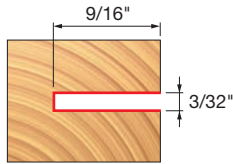
Item Number	Overall Dia.(D)	Carbide Height(h)	Cut Depth	Shank Dia.(A)	Overall Length(H)
63-100	2"	1/16"	9/16"	1/4"	2-3/8"
63-104	2"	5/64"	9/16"	1/4"	2-3/8"
63-106	2"	3/32"	9/16"	1/4"	2-3/8"
63-108	2"	1/8"	9/16"	1/4"	2-3/8"
63-109	2"	5/32"	9/16"	1/4"	2-3/8"
63-110	2"	3/16"	9/16"	1/4"	2-3/8"
63-111	2"	15/64"	9/16"	1/4"	2-3/8"
63-112	2"	1/4"	9/16"	1/4"	2-3/8"
63-150	2"	1/16"	9/16"	1/2"	2-3/8"
63-154	2"	5/64"	9/16"	1/2"	2-3/8"
63-156	2"	3/32"	9/16"	1/2"	2-3/8"
63-158	2"	1/8"	9/16"	1/2"	2-3/8"
63-159	2"	5/32"	9/16"	1/2"	2-3/8"
63-160	2"	3/16"	9/16"	1/2"	2-3/8"
63-161	2"	15/64"	9/16"	1/2"	2-3/8"
63-162	2"	1/4"	9/16"	1/2"	2-3/8"



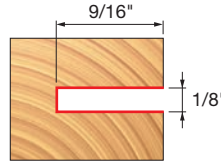
# 63-100  
# 63-150



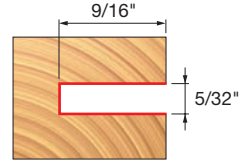
# 63-104  
# 63-154



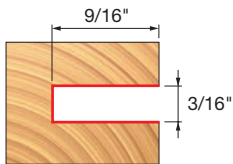
# 63-106  
# 63-156



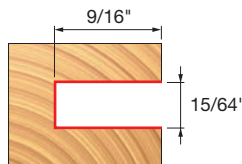
# 63-108  
# 63-158



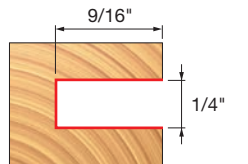
# 63-109  
# 63-159



# 63-110  
# 63-160



# 63-111  
# 63-161



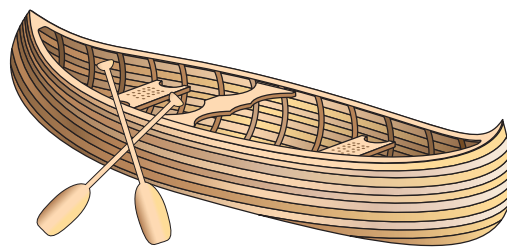
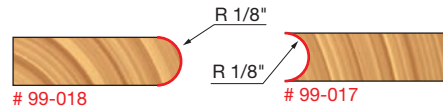
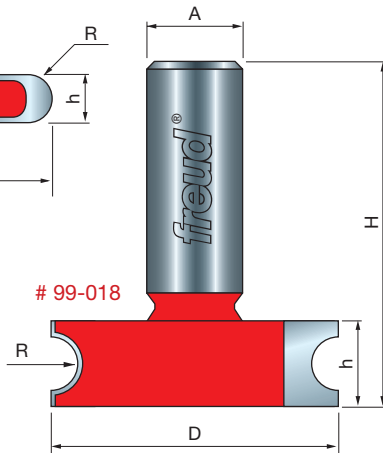
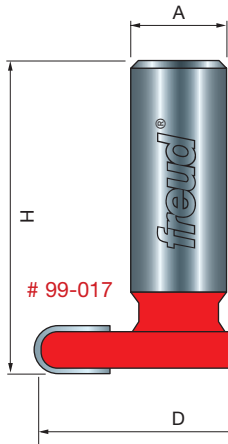
# 63-112  
# 63-162

# Canoe Joint Bits

**Application: Producing joints for projects such as circular planters and canoes**

- Bit 99-017 cuts the flute and 99-018 cuts the mating bead.
- Cuts all composition materials, plywoods, hardwoods, and softwoods.
- Use on CNC and other automatic routers as well as table-mounted portable routers.

Item Number	Overall Dia.(D)	Carbide Height(h)	Large Radius(R)	Shank Dia.(A)	Overall Length(H)
99-017	1-1/2"	1/4"	1/8"	1/2"	1-11/16"
99-018	1-1/2"	3/8"	1/8"	1/2"	1-7/8"

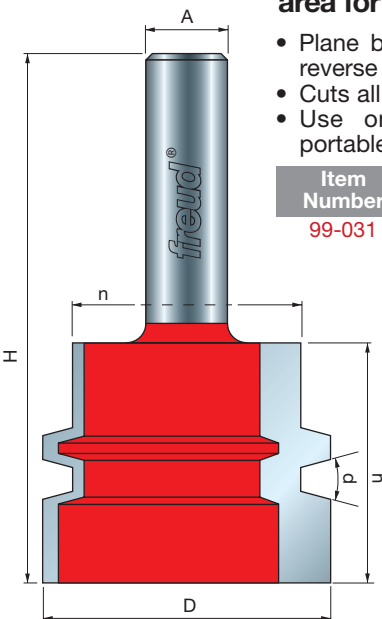


# Reversible Glue Joint Bit

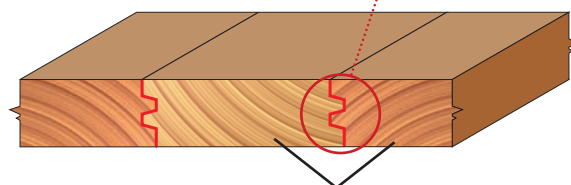
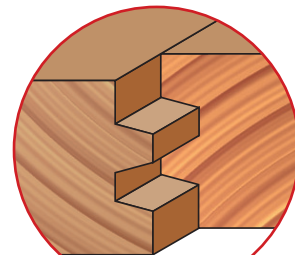
**Application: Providing a stronger joint by increasing the surface area for glue**

- Plane boards to a uniform thickness; align bit to the center of the board, then reverse each board for a perfect glue joint.
- Cuts all composition materials, plywoods, hardwoods, and softwoods.
- Use on CNC and other automatic routers, as well as table-mounted portable routers.

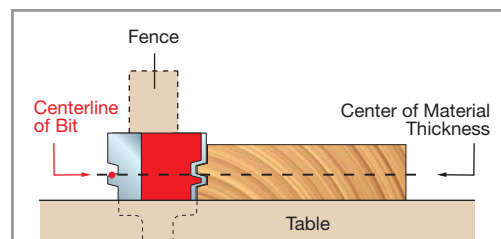
Item Number	Overall Dia.(D)	Small Dia.(n)	Carbide Height(h)	Angle (d)	Shank Dia.(A)	Overall Length(H)
99-031	1-1/2"	1-3/16"	1-1/4"	30°	1/2"	2-3/4"



# 99-031

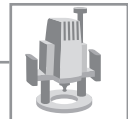


Opposing Grain Direction



Red Item Numbers Indicate 1/2" Shank

All Profile Drawings 1:1 Scale

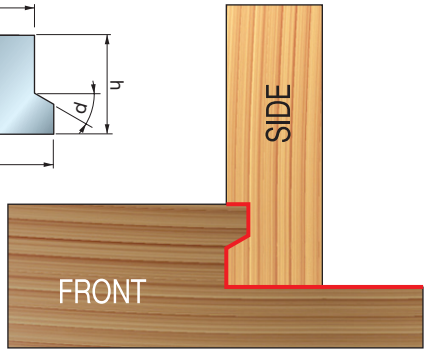
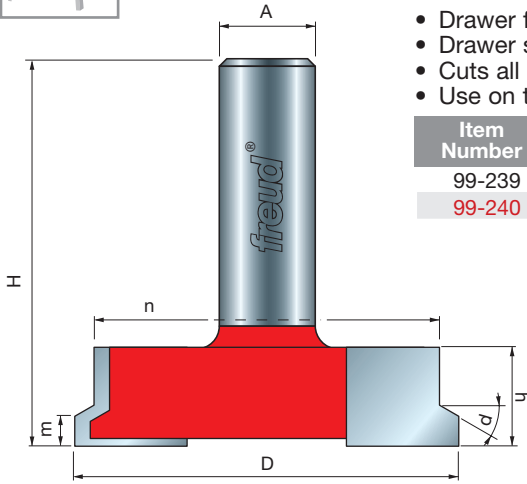


# Drawer Lock Bits

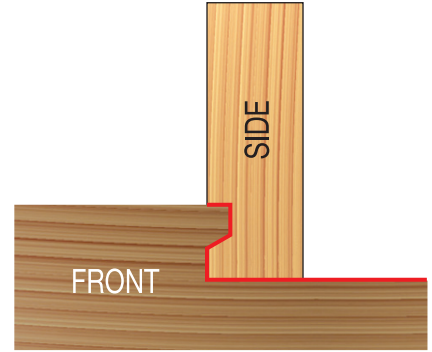
**Application: Forming a strong joint between the sides and front of a drawer**

- Drawer fronts are formed horizontally, flat on the table surface.
- Drawer sides are formed vertically against the fence of the table.
- Cuts all composition materials, plywoods, hardwoods, and softwoods.
- Use on table-mounted portable routers.

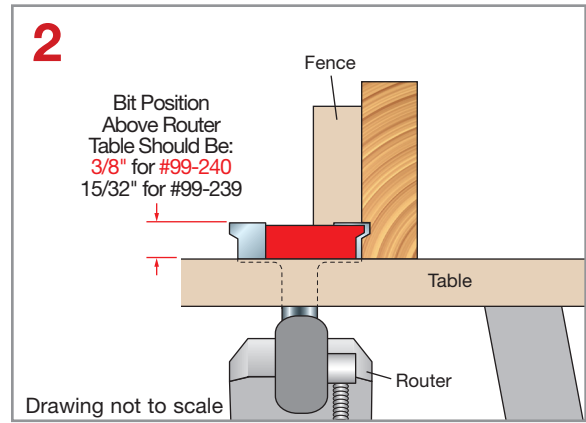
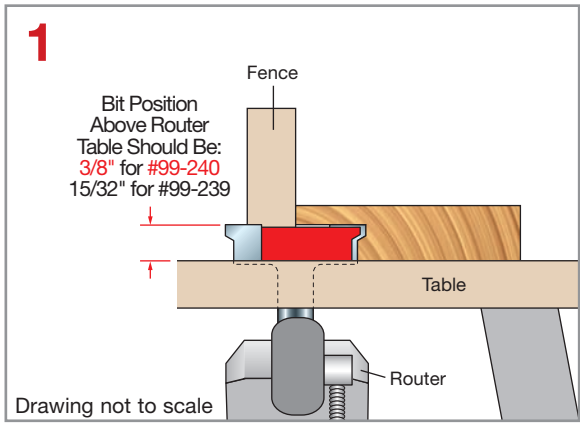
Item Number	Overall Dia.(D)	Small Dia.(n)	Carbide Height(h)	Minor Height(m)	Angle (d)	Shank Dia.(A)	Overall Length(H)
99-239	1-1/4"	1-1/64"	1/2"	13/64"	30°	1/4"	1-3/4"
99-240	2"	1-3/4"	33/64"	5/32"	30°	1/2"	2"



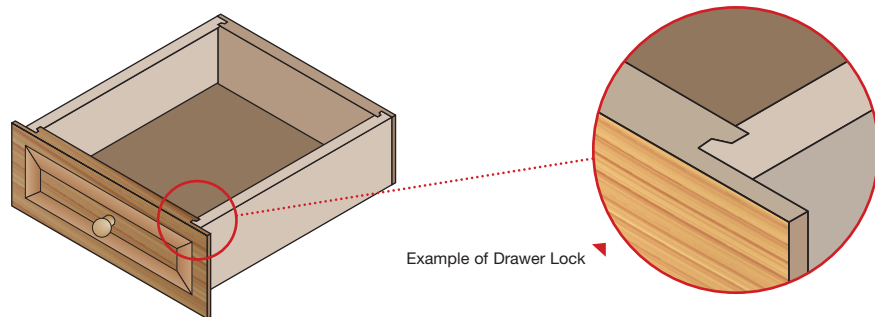
# 99-239



# 99-240



Drawer lock bits should be positioned above the router table as shown above for optimal performance.



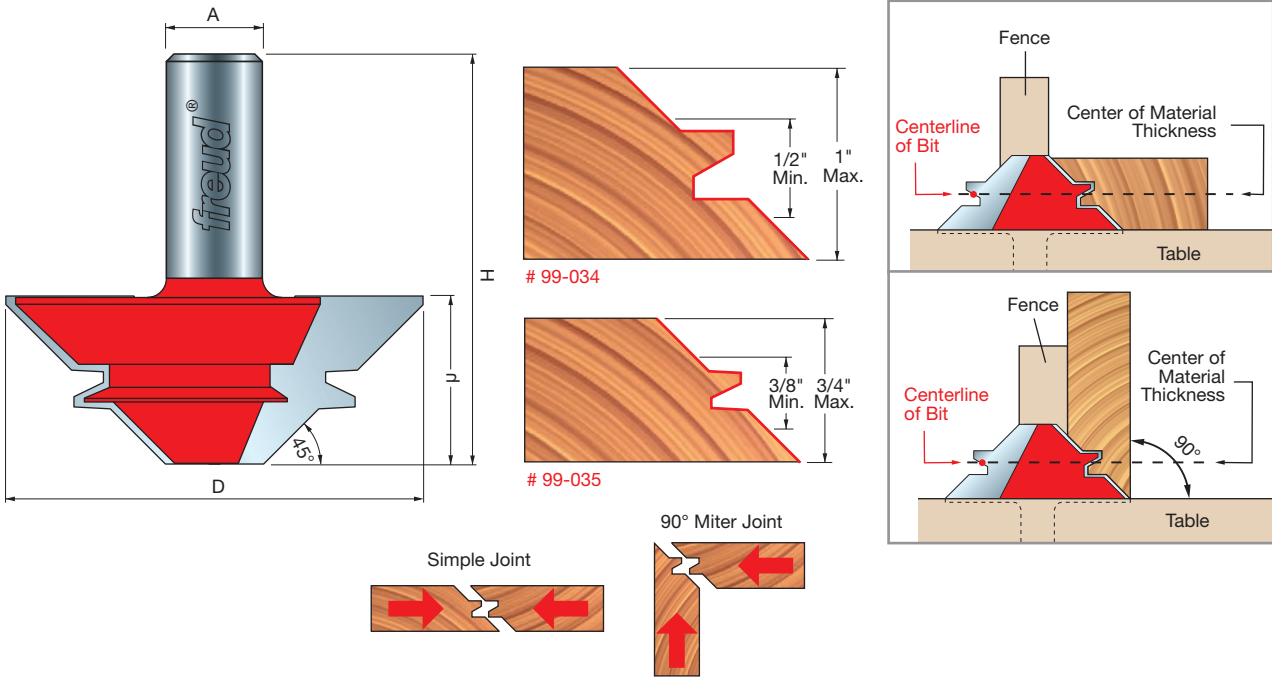
# Lock Miter Bits

## Application: Creating interlocking corner joints

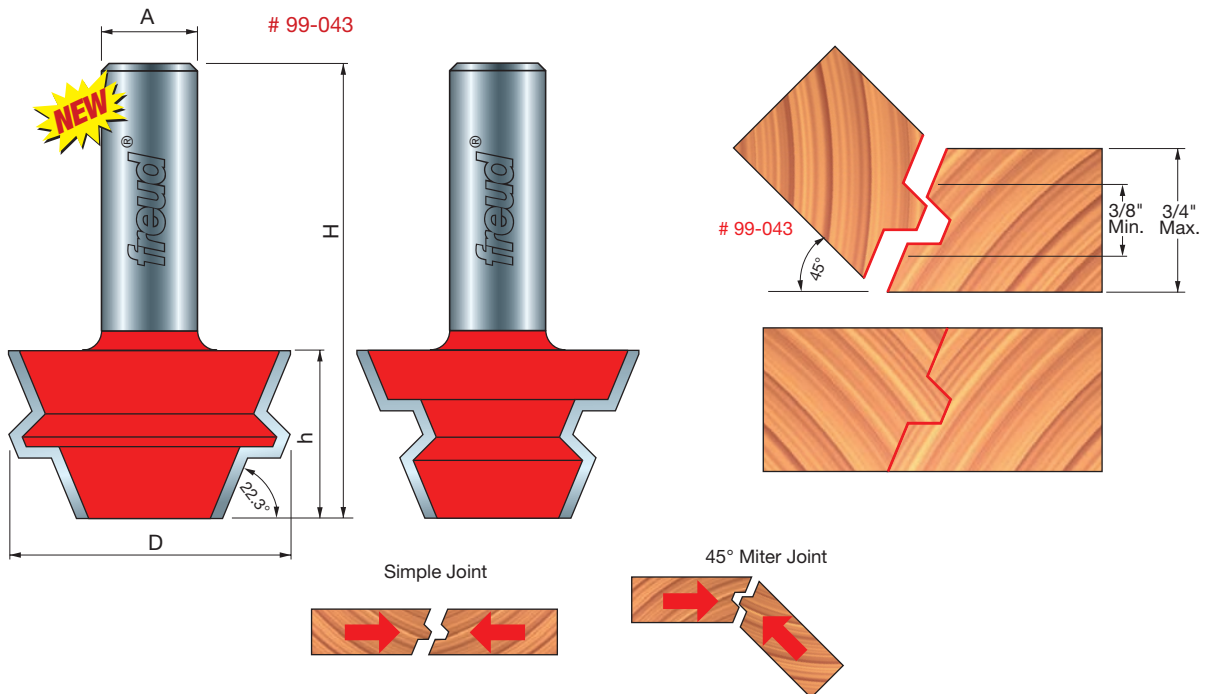
- Run one board vertically and the piece to be joined horizontally.
- 99-035 cuts thinner panels for projects such as humidors and jewelry boxes.
- Cuts all composition materials, plywoods, hardwoods, and softwoods.
- Use on CNC and other automatic routers, as well as table-mounted portable routers.



Item Number	Overall Dia.(D)	Carbide Height(h)	Angle	Shank Dia.(A)	Overall Length(H)
99-034	2-3/4"	1-5/32"	45°	1/2"	2-5/8"
99-035	2-11/64"	7/8"	45°	1/2"	2-3/8"
<b>NEW</b> 99-043	1-15/32"	7/8"	22-1/2°	1/2"	2-3/8"



## 22-1/2 Degree Set



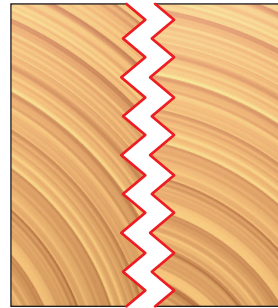
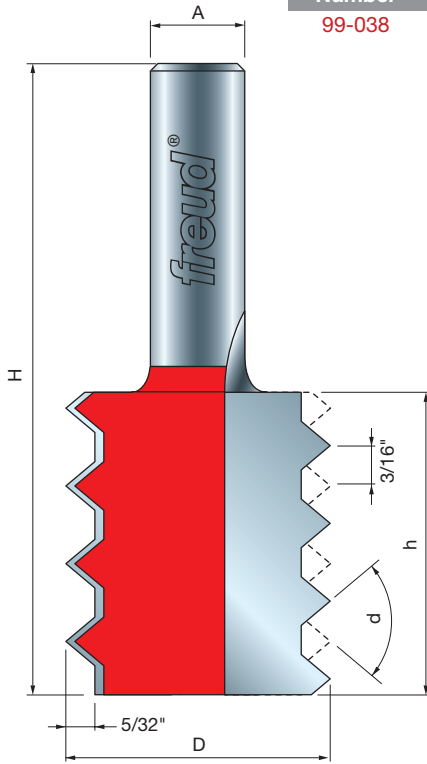


# Raised Panel "V" Joint Bit

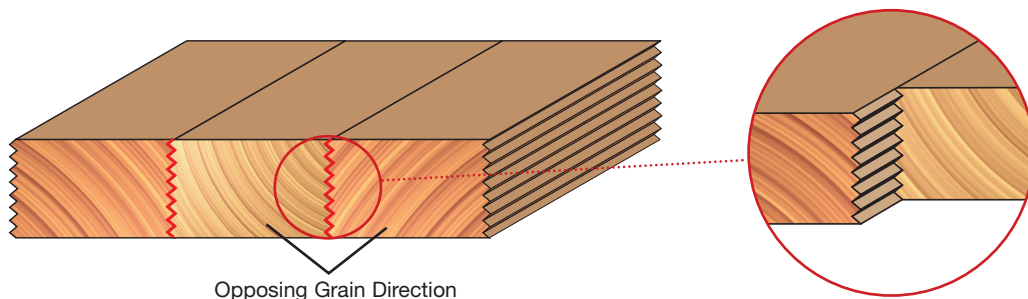
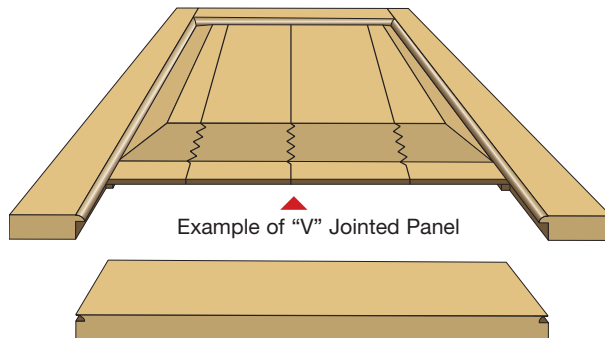
## Application: Producing strong, attractive glue joint raised panels

- Mating surfaces are at an angle, not vertical, so the dark lines like those created by standard finger joint bits aren't visible.
- Bit does not have to be centered in the wood.
- Simply raise or lower the bit 3/32" to route the mating edge.
- Cuts all composition materials, plywoods, hardwoods, and softwoods.
- Use on table-mounted portable routers.

Item Number	Overall Dia.(D)	Carbide Height(h)	Minor Height	Angle (d)	Shank Dia.(A)	Overall Length(H)
99-038	1-3/8"	1-37/64"	3/16"	80°	1/2"	3-1/16"



# 99-038



# Adjustable Tongue & Groove Bit Set

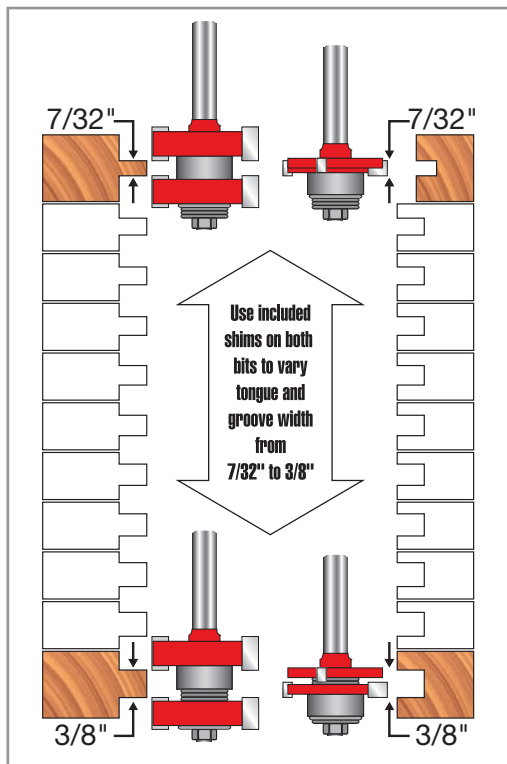
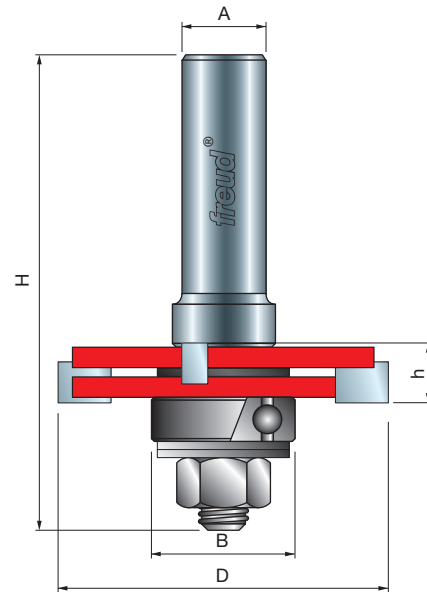
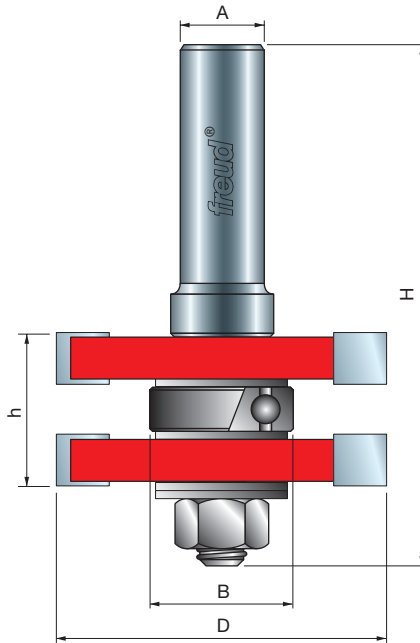


**Application: Producing perfectly fitted tongue and groove joints for projects such as Shaker style cabinet doors**

- Exclusive Freud design features a tongue cutter with opposing shear angles to ensure a flawless finish.
- Adjustable at .002 inch increments for stock thickness of 1/2" to 1-1/4" and groove widths of 7/32" to 3/8".
- Cuts all composition materials, plywoods, hardwoods, and softwoods.
- Use on table-mounted portable routers.

Item Number	Bit Type	Overall Dia.(D)	Bearing Dia.(B)	Carbide Height(h)	Shank Dia.(A)	Overall Length(H)
99-036	Tongue Bit	1-3/4"	7/8"	7/32" ~ 3/8"	1/2"	3-1/4"
	Groove Bit	1-3/4"	7/8"	13/16" ~ 1-11/32"	1/2"	2-11/16"

U.S. Pat. No. 6,367,524



Breadboard Ends



Tongue & Groove Joints



Shaker Style Doors



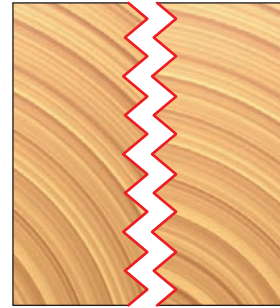
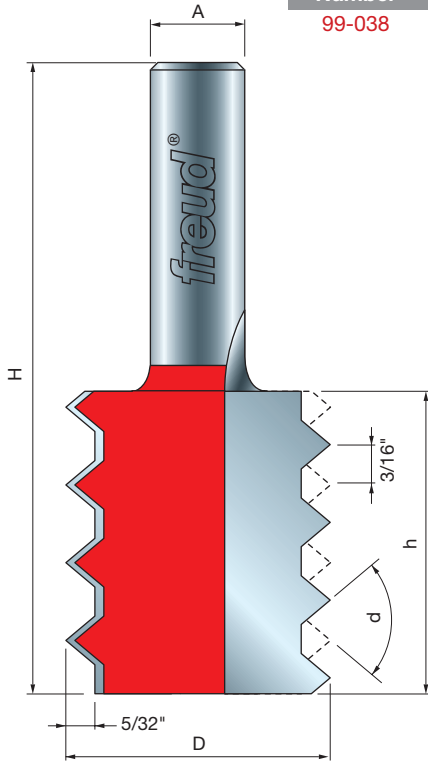


# Raised Panel "V" Joint Bit

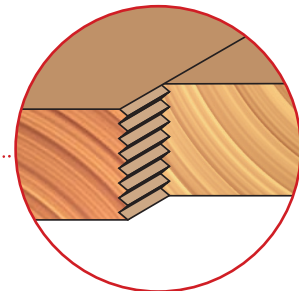
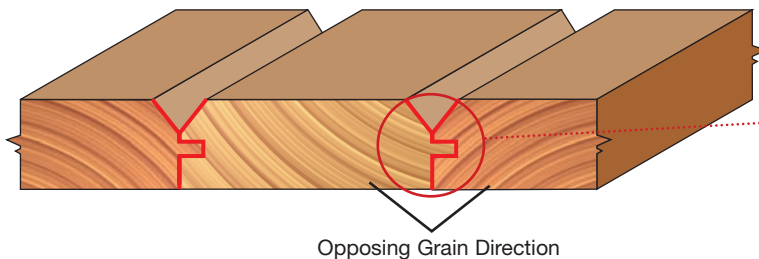
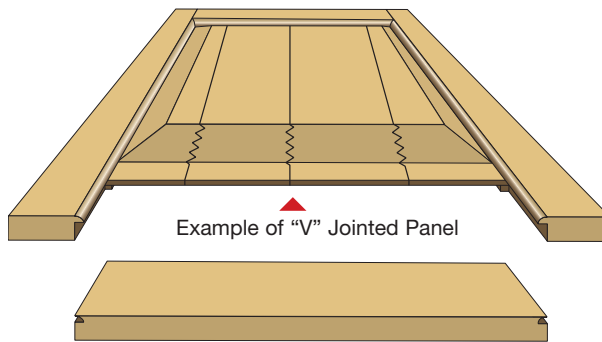
**Application: Producing strong, attractive glue joint raised panels**

- Mating surfaces are at an angle, not vertical, so the dark lines like those created by standard finger joint bits are not visible.
- Bit does not have to be centered in the wood.
- Simply raise or lower the bit 3/32" to route the mating edge.
- Cuts all composition materials, plywoods, hardwoods, and softwoods.
- Use on table-mounted portable routers.

Item Number	Overall Dia.(D)	Carbide Height(h)	Minor Height	Angle (d)	Shank Dia.(A)	Overall Length(H)
99-038	1-3/8"	1-37/64"	3/16"	80°	1/2"	3-1/16"



# 99-038



All Profile Drawings 1:1 Scale

Red Item Numbers Indicate 1/2" Shank

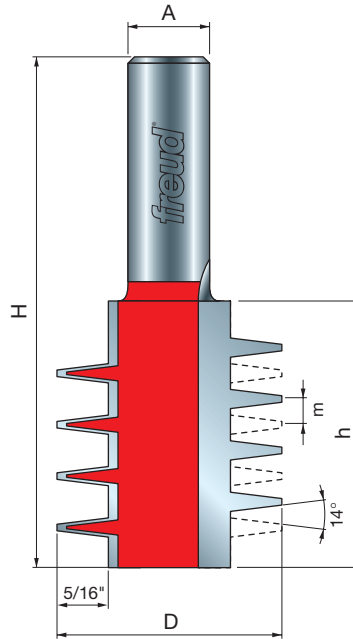
# Finger Joint Bit

**Application: Joining wood edge-to-edge or end-to-end**

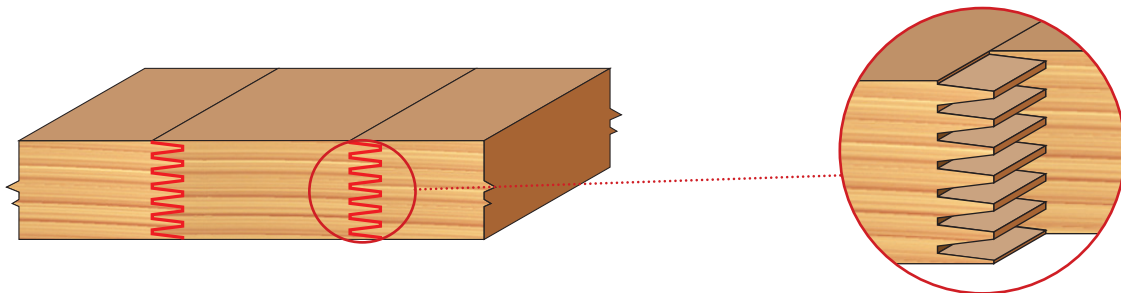
- Produces a joint that is stronger than the wood itself.
- Tips on each side of the bit are offset, cutting twice as many fingers as you see tips on each side of the bit.
- Cuts all composition materials, plywoods, hardwoods, and softwoods.
- Use on CNC and other automatic routers as well as table-mounted portable router.



Item Number	Overall Dia.(D)	Cut Depth	Carbide Height(h)	Minor Height(m)	Shank Dia.(A)	Overall Length(H)
99-037	1-3/8"	5/16"	1-9/16"	21/64"	1/2"	3"



# 99-037



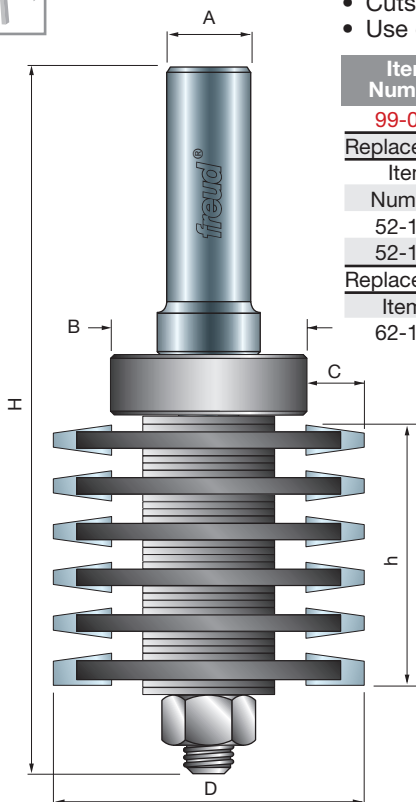




# Variable Height Finger Joint Bit

**Application: Adjustable to produce finger joints up to 1-25/32" thick**

- Ideal for joining wood edge-to-edge or end-to-end, because the joint produced is stronger than the wood itself.
- Replacement cutters available and uses arbor #60-152.
- Allows you complete freedom when producing finger joints.
- Cuts all composition materials, plywoods, hardwoods, and softwoods.
- Use on hand-held and table-mounted portable routers.



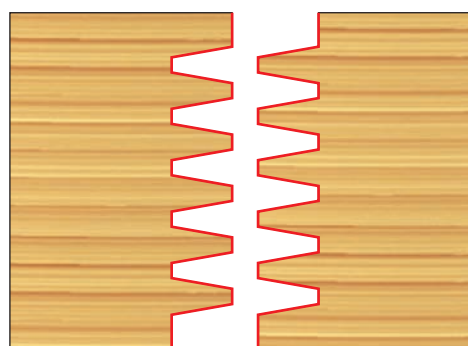
Item Number	Overall Dia.(D)	Cut Dia.(C)	Bearing Dia.(B)	Carbide Height(h)	Shank Dia.(A)	Overall Length(H)
99-039	2"	5/16"	1-3/8"(35mm)	1-9/16"	1/2"	4-1/4"

### Replacement Cutters

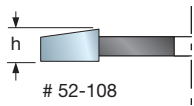
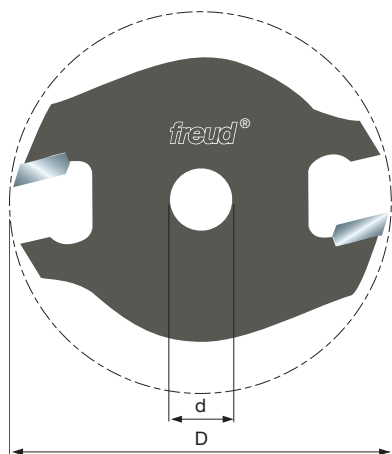
Item Number	Overall Dia.	Bore Dia.	Carbide Height
52-104	2"	5/16"	7/32"
52-108	2"	5/16"	21/64"

### Replacement Bearing

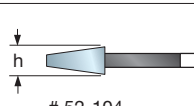
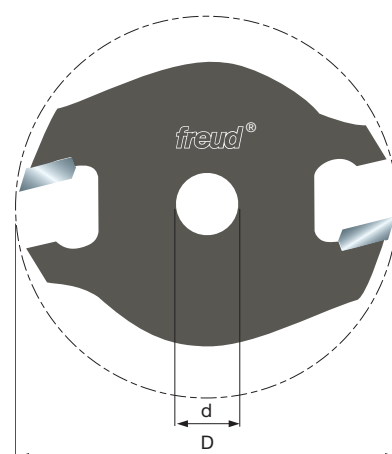
Item#	Outside Dia.	Inside Dia.	Height
62-109	35mm	15mm	11mm



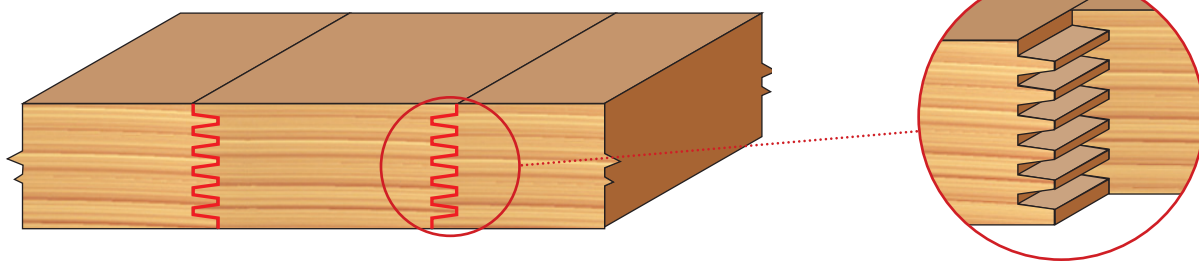
# 99-039



# 52-108



# 52-104



All Profile Drawings 1:1 Scale

Red Item Numbers Indicate 1/2" Shank

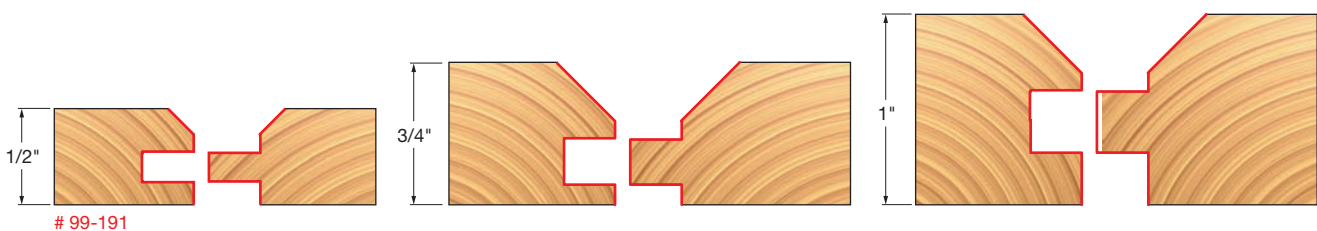
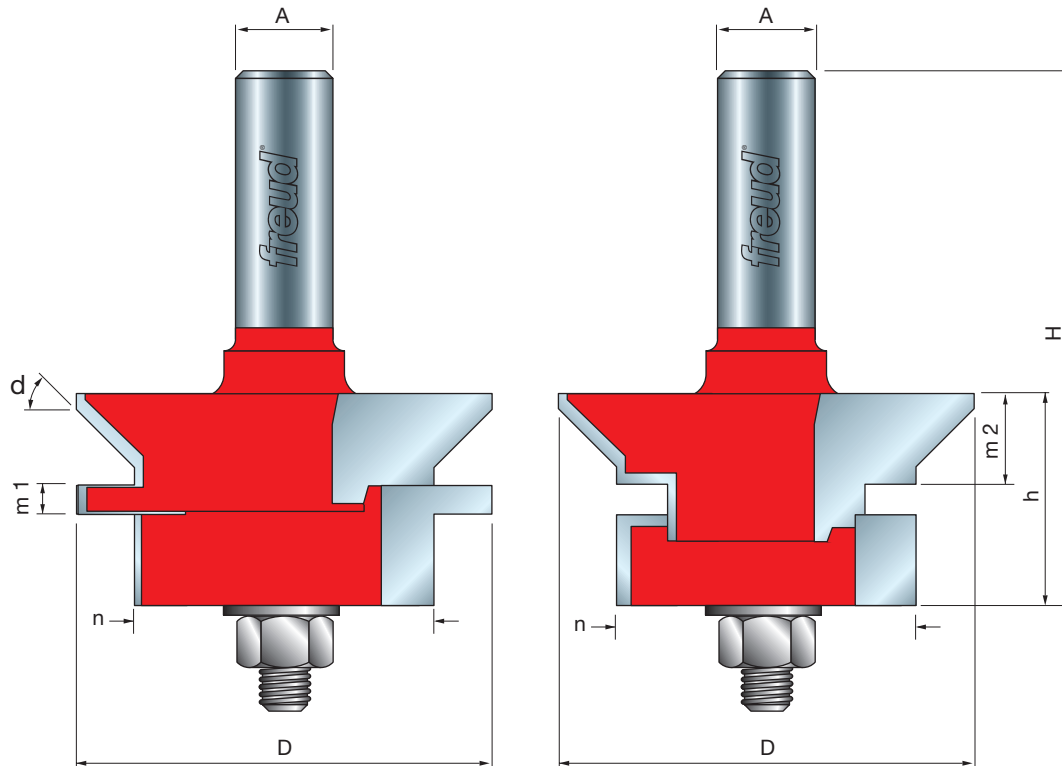
# "V" Panel Bit Set



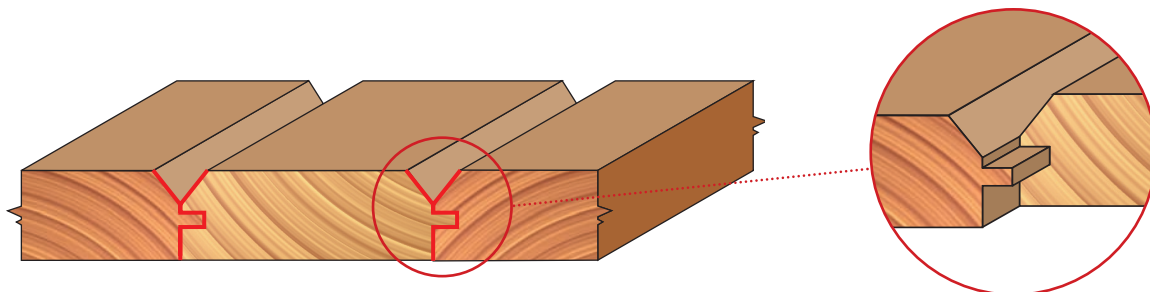
## Application: Creating attractive "V" Groove paneling

- Set includes spacers that allow you to produce "V" paneling from 1/2", 3/4", or 1" thick stock.
- Cuts all composition materials, plywoods, hardwoods, and softwoods.
- Use on table-mounted portable routers.

Item Number	Overall Dia.(D)	Small Dia.(n)	Carbide Height(h)	Minor Height(m1)	Minor Height(m2)	Angle	Shank Dia.(A)	Overall Length(H)
99-191	1-11/64"	1-37/64"	1-1/8"	5/32"~5/16"	25/64"	45°	1/2"	3-3/8"



# 99-191



## Free Manuals Download Website

<http://myh66.com>

<http://usermanuals.us>

<http://www.somanuals.com>

<http://www.4manuals.cc>

<http://www.manual-lib.com>

<http://www.404manual.com>

<http://www.luxmanual.com>

<http://aubethermostatmanual.com>

Golf course search by state

<http://golfingnear.com>

Email search by domain

<http://emailbydomain.com>

Auto manuals search

<http://auto.somanuals.com>

TV manuals search

<http://tv.somanuals.com>