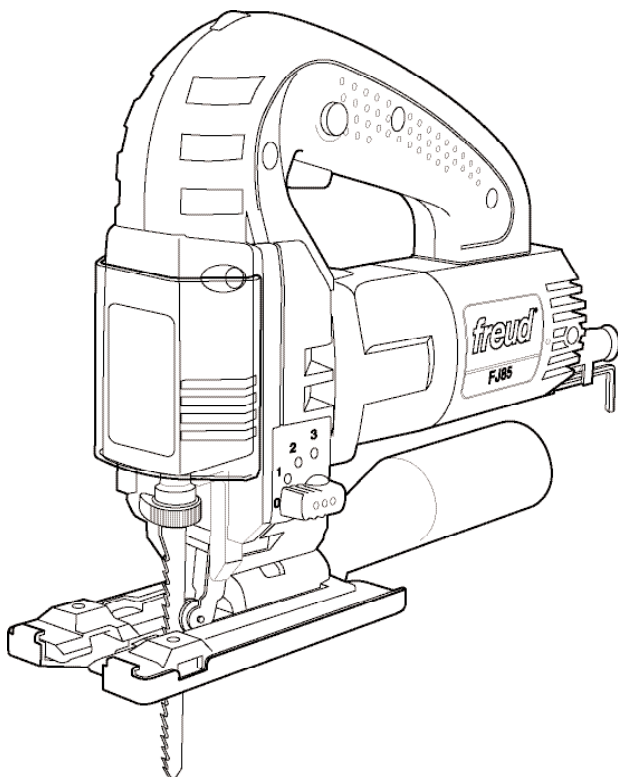


OPERATING INSTRUCTIONS

freud[®]



FJ85 Orbital Jigsaw

⚠ WARNING: To reduce the risk of injury, the user must read and understand the operating instructions before using this product.

TABLE OF CONTENTS

	Page
Safety	5
General Safety Rules	5
Additional Safety Rules for Jig Saws	6
Functional Description and Specifications	8
Parts and Features Diagram	8
Specifications	8
Symbols	9
Assembly and Operation	10
Prior to Operation	10
Blade Installation	10
Adjusting The Blade Speed	10
Electronic Cruise Control	11
Adjusting The Orbital Action	12
Base Plate Angle Adjustment	13
Anti-Splinter Insert	14
Dust Extraction	15
Cutting	16
Cutting straight lines, curves, circles, and arcs	16
Pocket Cutting	17
Angular Cutting	17
Wood Cutting	17
Metal Cutting	18
Blade Selection	18
Maintenance & Inspection	19
Service	19
Tool Lubrication	19
Bearings	19
Brushes	19
Commutators	19
Inspect Blades	19
Inspect Screws	19
Accessories	19
Standard	19
Warranty	20

TABLE DES MATIÈRES

	Page
Sécurité	22
Règles générales de sécurité	22
Règles additionnelles de sécurité pour scie sauteuse	23
Description fonctionnelle et spécifications	25
Diagramme des pièces et caractéristiques	25
Spécifications	25
Symboles	26
Assemblage et utilisation	27
Avant l'utilisation	27
Installation des lames	27
Réglage de la vitesse de la lame	28
Régulateur de vitesse électronique	28
Réglage de la fonction orbitale	29
Réglage de l'angle de la semelle	30
Plaquette anti-écornures	31
Collecteur de poussière	32
Coupe	33
Coupe droite, incurvée, en cercle et en arc	33
Coupe en évidement	34
Coupe angulaire	34
Coupe du bois	34
Coupe du métal	35
Choix de la langue	35
Maintenance et inspection	36
Service	36
Lubrification	36
Roulements à bille	36
Balais	36
Commutateurs	36
Inspection des lames	36
Inspection des vis	36
Accessoires	36
Standard	36
Garantie	37

TABLA DE CONTENIDOS

	Página
Seguridad	39
Reglas de seguridad en general	40
Reglas adicionales de seguridad para las sierras de calar	41
Descripción funcional y especificaciones	43
Diagrama de partes y características	43
Especificaciones	43
Símbolos	44
Ensamblaje y operación	45
Antes de la operación	45
Instalación de la hoja	45
Ajuste de velocidad de la hoja	46
Control electrónico de crucero	46
Ajuste de la acción orbital	47
Ajuste del ángulo del plato base	48
Inserto antiastillas	49
Extracción del polvo	50
Corte	50
Corte en línea recta, curva, círculos y arcos	50
Corte de bolsillo	51
Corte angular	51
Corte de madera	51
Corte de metal	52
Selección de la hoja	52
Mantenimiento e Inspección	53
Servicio	53
Lubricación de la herramienta	53
Rodamientos	53
Cepillos	53
Conmutador	53
Inspección de la hoja	53
Inspección de los tornillos de la herramienta	53
Accesorios	53
Estándar	53
Garantía	54

SAFETY

⚠ WARNING: Read and understand all instructions. Failure to follow all instructions listed below may result in electric shock, fire, and/or serious personal injury.

SAVE THESE INSTRUCTIONS

GENERAL SAFETY RULES

1. Work Area

- a) Keep your work area clean and well lit. Cluttered benches and dark areas invite accidents which could result in personal injury
- b) Do not operate power tools in explosive atmospheres, such as in the presence of flammable liquids, gases, or dust. Power tools create sparks which may ignite the dust or fumes.
- c) Keep bystanders, children, and visitors away while operating a power tool. Distractions can cause you to lose control.

2. Electrical Safety

- a) Double Insulated tools are equipped with a polarized plug (one blade is wider than the other). This plug will fit in a polarized outlet only one way. If the plug does not fit fully in the outlet, reverse the plug. If it still does not fit, contact a qualified electrician to install a polarized outlet. Do not change the plug in any way. Double Insulation eliminates the need for the three wire grounded power cord and grounded power supply system.
- b) Prevent body contact with grounded surfaces such as pipes, radiators, ranges, and refrigerators. There is an increased risk of electric shock if your body is grounded.
- c) Do not expose power tools to rain. Do not use power tools in damp or wet locations. Water entering a power tool will increase the risk of electric shock.
- d) Do not abuse the cord. Never carry the tool by the cord or yank the cord to pull the plug from a receptacle. Keep cord away from heat, oil, sharp edges, or moving parts. Replace damaged cords immediately. Damaged cords increase the risk of electric shock.
- e) When operating a power tool outside, use an outdoor extension cord marked "W-A" or "W". These cords are rated for outdoor use and reduce the risk of electric shock.

3. Personal Safety

- a) Stay alert, watch what you are doing and use common sense when operating a power tool. Do not operate a tool while you are tired or under the influence of drugs, alcohol, or medication. A moment of inattention while operating power tools may result in serious personal injury.
- b) Dress properly. Do not wear loose clothing or jewelry. Wear protective hair covering to contain long hair. Keep your hair, clothing, and gloves away from moving parts. Loose clothes, jewelry, or long hair can be caught in moving parts. Rubber gloves and non-skid footwear are recommended when working outdoors.
- c) Avoid unintentional starting. Be sure switch is off before plugging in. Do not carry tools with your finger on the switch or plug in tools that have the switch turned on
- d) Form the habit of checking to see that keys and adjusting wrenches are removed from the tool before turning it on. A wrench or a key that is left attached to a rotating part of the tool may result in personal injury.
- e) Do not overreach. Keep proper footing and balance at all times. Proper footing and balance enables better control of the tool in any situation.
- f) Use safety equipment. Always wear protective glasses. Also use a face or dust mask if cutting operation is dusty.

4. Tool Use and Care

- a) Secure your work. Use clamps or a vise to secure and support the work piece to a stable platform. Securing the work with a clamp or vise frees both hands to operate the tool. Holding the work by hand or against your body is unstable and may lead to loss of control.
- b) Do not force tool. The power tool will do the job better and safer at the rate for which it was intended.
- c) Use the correct tool for your application. Do not use tools for purposes for which they were not intended.
- d) Do not use tool if switch does not turn it on or off. Any tool that cannot be controlled with the switch is dangerous and must be repaired. Have defective switches replaced by an authorized Freud service center.
- e) Disconnect the plug from the power source when not in use, before servicing, and when changing accessories such as blades, bits, and cutters. Such preventive safety measures reduce the risk of starting the tool accidentally and causing personal injury.
- f) Store idle tools when not in use. Tools should be stored in a dry, high, or locked-up place and out of the reach of children.
- g) Maintain tools with care. Keep cutting tools sharp and clean for better and safer performance. Follow instructions for lubricating and changing accessories. Inspect tool cords periodically and, if damaged, have repaired by an authorized Freud service center. Inspect extension cords regularly and replace if damaged. Keep handles dry, clean, and free from oil or grease. Properly maintained tools, with sharp cutting edges are less likely to bind and are easier to control.
- h) Check for damaged parts. Before further use of the tool, a guard or other part that is damaged should be carefully inspected to determine that it will operate properly and perform its intended function. Check for alignment of moving parts, binding of moving parts, mounting, and other conditions that may affect the operation of the tool. A guard or other part that is damaged should be properly repaired or replaced by an authorized Freud service center unless otherwise indicated elsewhere in this instruction manual.
- i) Use only accessories that are recommended by the manufacturer for your model. Accessories that may be suitable for one tool may become hazardous when used with another tool.

5. Service

- a) Tool service must be performed only by a Freud authorized service center. Service or maintenance performed by unqualified personnel could result in a risk of injury.
- b) When servicing a tool, use only identical replacement parts. Follow instructions in the Maintenance section of this manual. Use of unauthorized parts or failure to follow maintenance instructions may create a risk of electric shock or injury. Certain cleaning agents such as gasoline, carbon tetrachloride, ammonia, etc. may damage plastic parts.

ADDITIONAL SAFETY RULES FOR JIG SAWS

1. Hold tool by insulated gripping surfaces. Contact with a "live" wire will make exposed metal parts of the tool "live" and shock the operator.
2. Never perform an operation where the cutting tool may contact hidden wiring or its own cord such as cutting into a wall that might contain electrical wiring.
3. Keep hands away from the cutting area. Do not reach under the material being cut. The proximity of the blade to your hand is hidden from your sight.
4. Keep hands from between the gear housing and saw blade holder. The reciprocating blade holder can pinch your fingers.
5. Use only sharpened saw blades in perfect condition and immediately change the blade if deformed or notched. Bent blades can break easily or cause kickback.

6. In no case should the tool be turned on with the blade already in contact with the material. Only insert the saw blade into the material after the tool has fully reached its desired speed. If the blade speed is too low at the beginning of a cut, undue strain is placed on the blade and the tool can vibrate or potentially kick back.
7. Make sure the base plate is securely in contact with the work before beginning the cut.
8. Do not force the saw feed. Allow the tool to cut at a moderate rate of speed.
9. Secure material before cutting. Never hold it in your hand or across legs. Small or thin material may flex or vibrate with the blade, causing loss of control.
10. Make certain all adjusting screws and the blade holder are tight before making a cut. Loose adjusting screws and holders can cause the tool or blade to slip and loss of control may result.
11. Make certain the power cord and extension cord are kept to the rear of the tool during operation. This practice lessens the likelihood of accidentally cutting the cords during use.
12. When removing the blade from the tool, avoid contact with skin and use proper protective gloves when grasping the blade or accessory. Accessories may be hot after use.
13. **WARNING:** Some dust created by power sanding, sawing, grinding, drilling, and other construction activities contains chemicals known to cause cancer, birth defects, or other reproductive harm. Some examples of these chemicals are:
 - Lead from lead-based paints,
 - Crystalline silica from bricks and cement and other masonry products, and
 - Arsenic and chromium from chemically-treated lumberYour risk from these exposures varies, depending on how often you do this type of work. To reduce your exposure to these chemicals: work in a well ventilated area, and work with approved safety equipment, such as those dust masks that are specially designed to filter out microscopic particles.

DOUBLE INSULATION

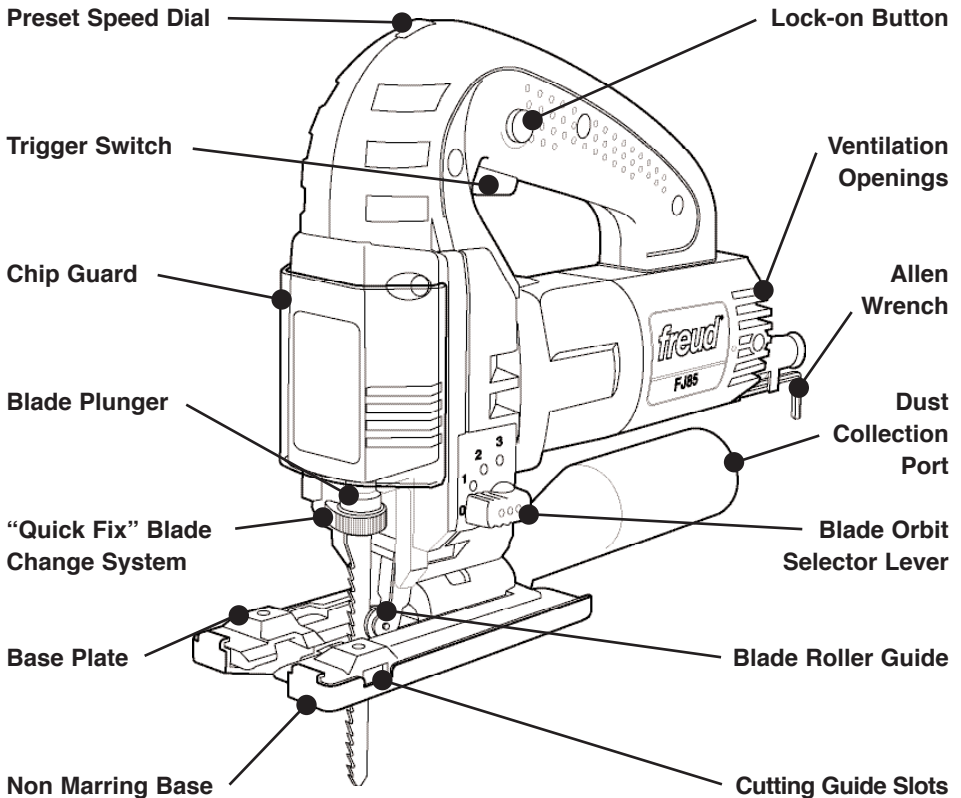
1. To ensure safer operation of this tool, Freud has adopted a double insulation design. "Double Insulation" means that two physically separated insulation systems have been used to insulate the electrically conductive materials connected to the power supply from the outer frame handled by the operator.

To keep the double insulation system effective, follow these precautions:

- Be careful not to pierce the motor housing as this could damage the efficiency of the double insulation system.
- Only Freud Authorized Service Centers should disassemble or assemble this power tool, and only genuine Freud replacement parts should be installed. Contact Freud at 1-800-334-4107 to find a Freud authorized service center near you.

DESCRIPTION & SPECIFICATIONS

FUNCTIONAL DESCRIPTION






SPECIFICATIONS

Power Source	Single-Phase, 120V, AC 60Hz
Amps	6
Watts	650
Speed	500-3000 Strokes/Minute
Stroke	Length 1 Inch
Max Bevel Cut	45°
Wood Cutting Capacity	2 3/8 Inches
Steel Cutting Capacity	1/4 Inch
Nonferrous Metal Cutting Capacity	3/4 Inch
Weight	5.4 lbs

SYMBOLS

Some of the following symbols may be used on your tool. Please study them and learn their meaning. Proper interpretation of these symbols will allow you to operate the tool better and safer.

Symbol	Name	Designation/Explanation
V	Volts	Voltage (potential)
A	Amperes	Current
Hz	Hertz	Frequency (cycles per second)
W	Watt	Power
n_o	No load speed	Rotational speed, at no load
.../min	Revolutions or reciprocation per minute	Revolutions, strokes, surface speed, orbits, etc. per minute
	Class II construction	Designates double insulated construction tools
	Alternating current	Type or a characteristic of current
	Safety Alert	Precautions that involve your safety

ASSEMBLY & OPERATION

PRIOR TO OPERATION

1. Check Power Supply

Ensure that the power source to be utilized conforms to the power source requirements specified on the tool nameplate. Ensure the receptacle being used accepts the plug tightly. If a faulty receptacle is used, it may cause overheating, resulting in a serious hazard.

2. Check Work Area

Confirm that the work site is placed under appropriate conditions conforming to precautions prescribed in the safety section of this manual.

3. Before Plugging in the Tool

Ensure that the power tool switch is in the OFF position to prevent the tool from accidental start up which could cause serious injury.

4. Blade Installation

- Unplug tool
- Slide the chip guard up to allow access to the Quick Fix knob. – Fig 1
- Turn the “Quick Fix” knob until it stops. – Fig 2
- Insert the blade up to the stop and make sure the smooth side of the blade is resting against the blade roller guide. – Fig 3
- Release the “Quick Fix” knob. - Fig. 3
- Check that the blade is securely fixed by pulling downward.
- Slide the chip guard down until it stops. – Fig 4

Fig. 1

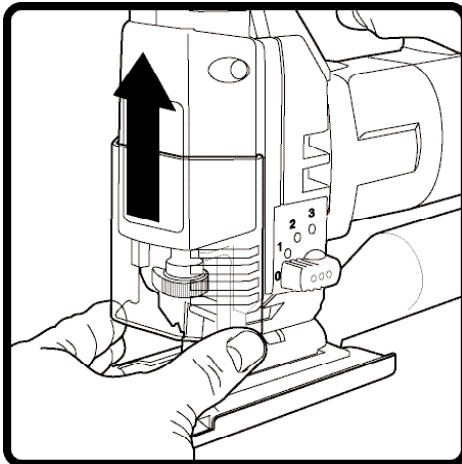
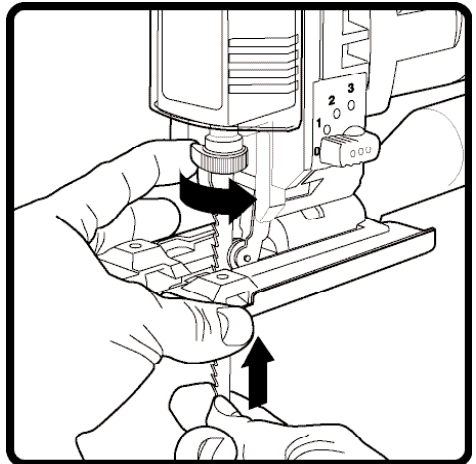


Fig. 2



5. Adjusting the Blade Speed

a) Variable Speed Trigger Switch

This tool is equipped with a variable speed trigger switch. The tool can be turned on or off by squeezing or releasing the trigger. The speed can be adjusted from the minimum to the maximum speed selected on the preset adjusting dial by the pressure you put on the trigger.

Fig. 3

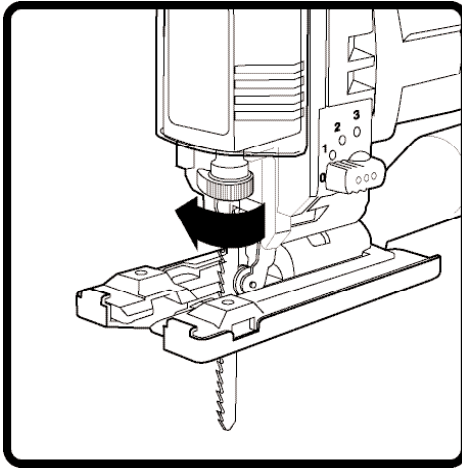
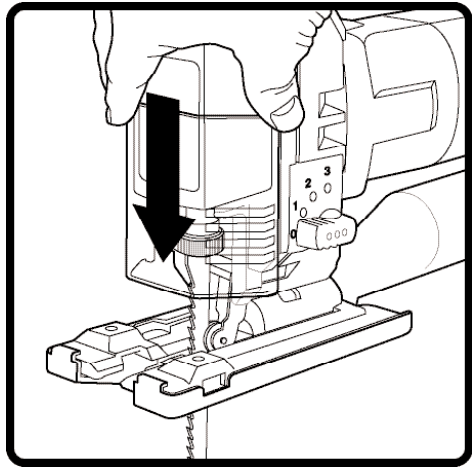


Fig. 4



More pressure on the trigger results in faster blade speed. Less pressure on the trigger results in slower blade speed.

b) Preset Speed Adjusting Dial

This feature allows you to preset the maximum speed by rotating the dial on the top handle of the saw to a higher or lower setting. The tool will never operate at a speed higher than the maximum speed setting selected on the speed dial.
– See Fig 5

c) Electronic Cruise Control

This tool is equipped with an electronic module with tachometric feedback which guarantees constant blade speed under load. This feature allows the saw to cut at a consistent rate of speed and maintain a consistent finish quality even if the load on the tool increases or decreases.

d) Lock-On Button

This button is located on the side of the saw's handle above the trigger and allows you to continuously operate the saw, at the speed set with the preset Speed Dial, without holding the trigger. To lock the trigger "ON", squeeze the trigger, depress the button, and then release the trigger – Fig. 6. To unlock the trigger, squeeze the trigger and release it without depressing the lock-on button – Fig. 7

Fig. 5

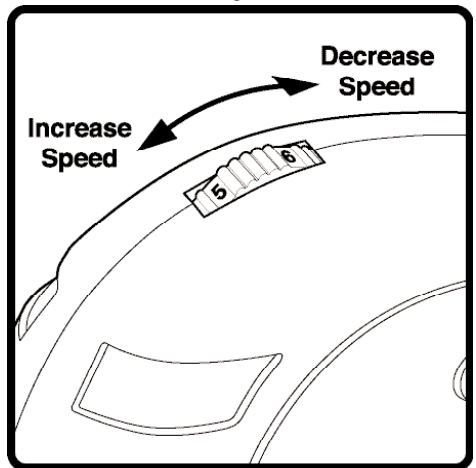


Fig. 6

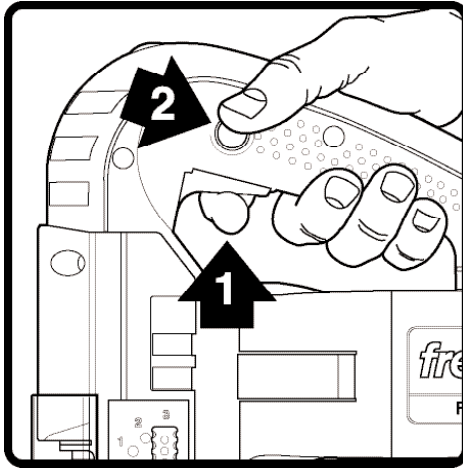
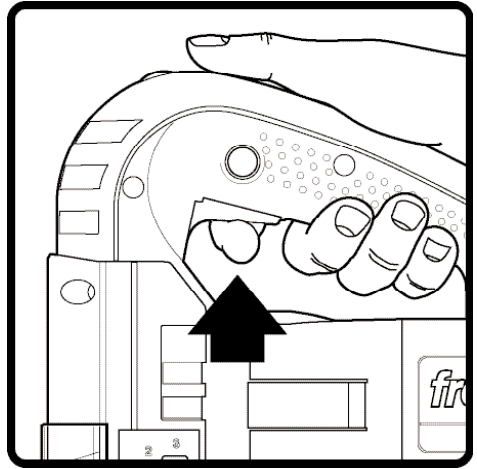


Fig. 7



Important: Be sure that the switch and Lock-On button are not engaged before plugging in tool.

6. Adjusting the Orbital Action

a) This tool is equipped with orbital action, which moves the blade from front to back as well as up and down. This feature allows you to maximize the cutting efficiency in the material being cut – Fig 8 & 9.

Fig. 8

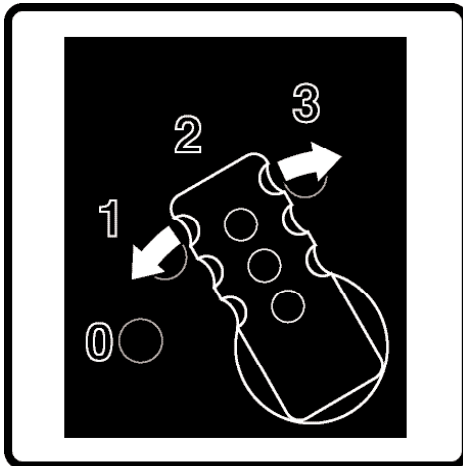
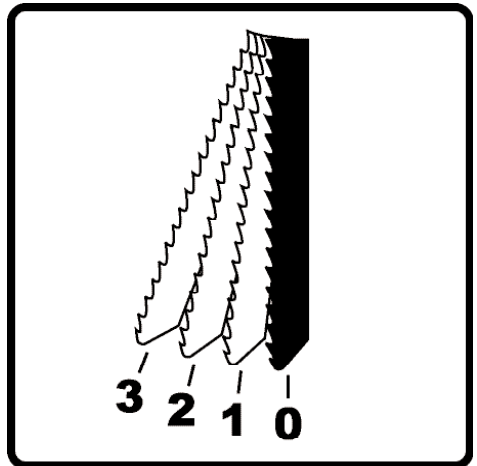


Fig. 9



b) Use the following chart to help determine the appropriate orbital setting for your application. This chart is intended as a guideline only and test cuts in scrap material should be made first to determine the appropriate setting.

Setting 0	Good for metals, plastics, and best quality finish in wood and wood products such as plywood, chip board, etc. Also good for scroll work.
Setting 1	Better quality cut in wood and wood products where speed of cut is more important than quality of cut.
Setting 2	Good quality with faster cut speed in wood and wood products.
Setting 3	Fastest speed with coarse cuts in wood and wood products where speed is more important than quality of cut.

7. Base Plate Angle Adjustment

The base plate may be tilted to produce angle cuts up to 45° - Fig. 10.

To adjust the base plate, unplug the tool then loosen the screw on the bottom of the saw with the included allen key – Fig. 11.

Position the base as far forward as possible to provide for maximum blade inclination – Fig. 12.

Position the base at the desired cutting angle and tighten the screw in the bottom of the saw – Fig. 13 & 14.

Note: The base should be placed as far forward as possible to allow for unlimited saw blade inclination.

Fig. 10

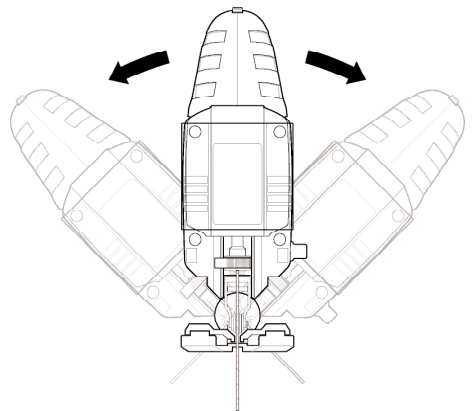


Fig. 11

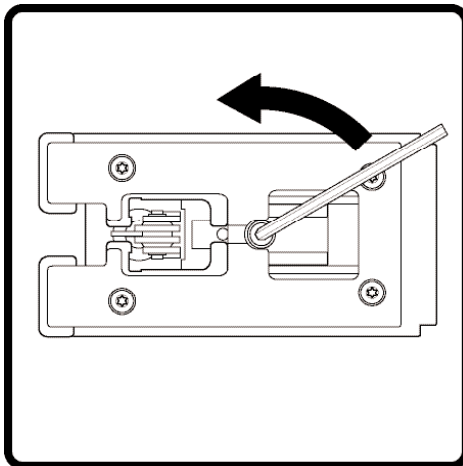


Fig. 12

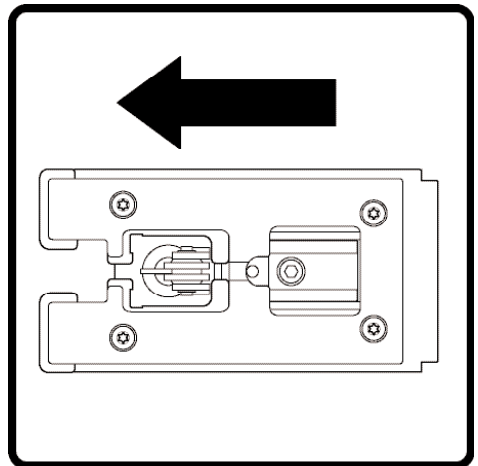


Fig. 13

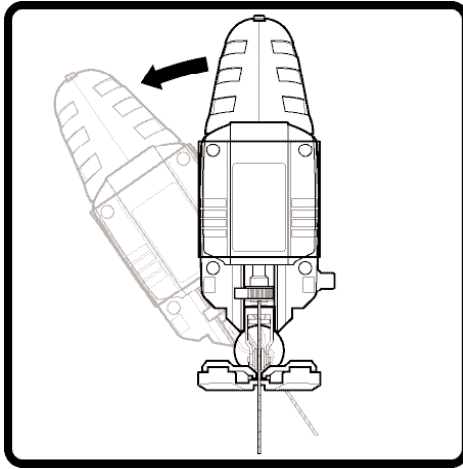
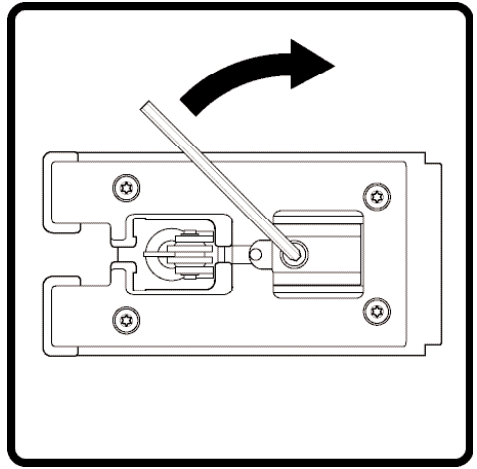


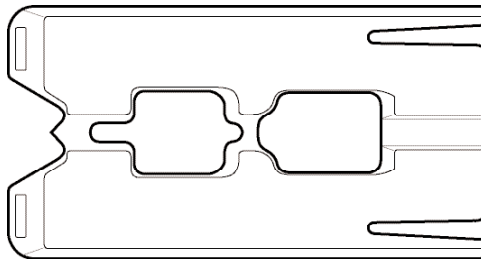
Fig. 14



8. Non-Marring Base

This tool comes equipped with a removable non-marring base on the base plate to help protect your delicate work pieces from scratches. - Fig. 15

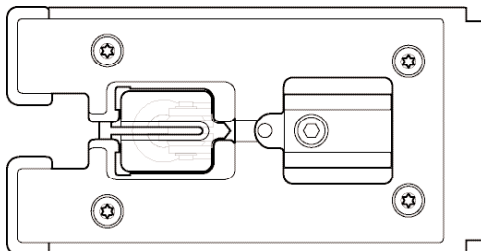
Fig. 15



9. Anti-Splinter Insert

To minimize splintering of the top surface of the material being cut, unplug the tool, place the anti-splinter insert in the space in the base plate and push it in completely – Fig 16.

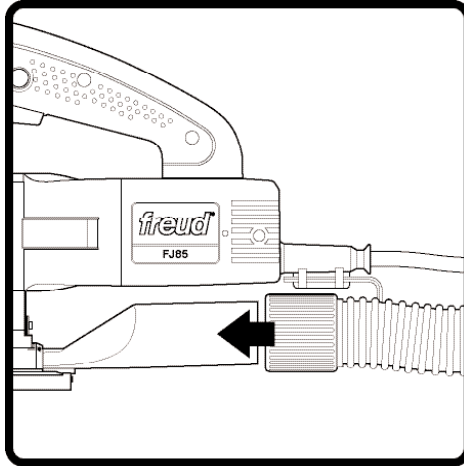
Fig. 16



10. Dust Extraction

This tool comes complete with a dust collection port. To use the dust collector simply attach a vacuum cleaner (sold separately) to the end of the dust collector – Fig. 17

Fig. 17

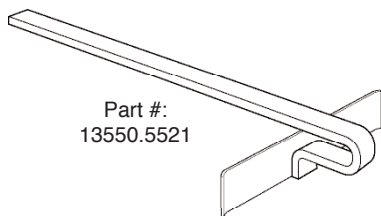


CUTTING

CAUTION: While operating the saw, be certain the base plate maintains constant contact with the surface of the material you are cutting. If the base plate becomes separated from the material during operation, it may cause the blade to break or the saw to kick back potentially resulting in injury.

1. Straight Line Cutting

When cutting a straight line, use a straight edge to draw a marking gauge line and advance the saw along that line. An optional guide (part # 13550.5521) may also be used to cut accurate straight lines parallel to the edge of the material:



To insert the guide:

- Unplug the saw.
- Loosen the bolt in the footplate using the allen wrench included with the saw – Fig 18.
- Move the base fully forward and tighten the bolt in the base plate – Fig 19.
- Insert the guide by passing it through the guides in the top of the base plate and tighten the guide bolt to secure it in place – Fig. 20.

Fig. 18

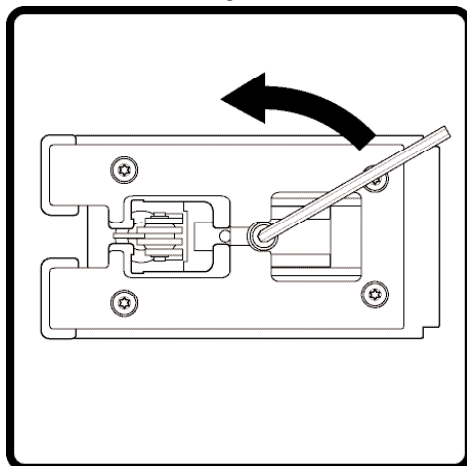


Fig. 19

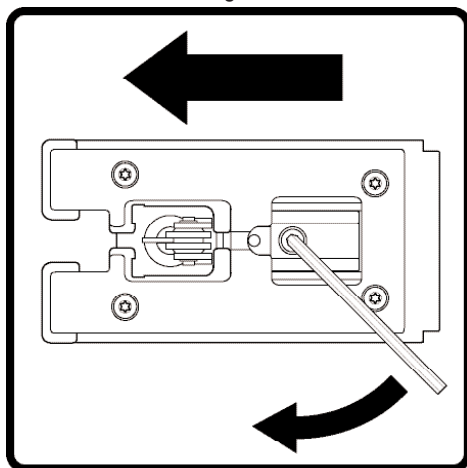
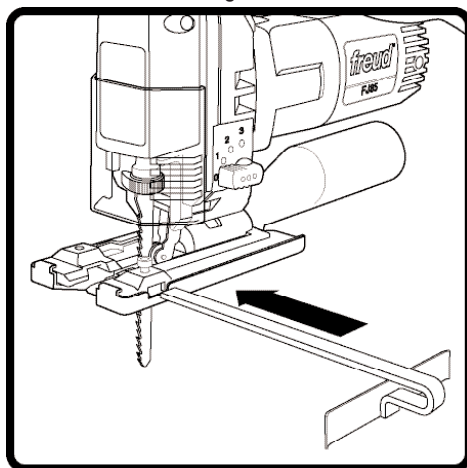


Fig. 20



2. Cutting Curved Lines

When cutting curved lines, reduce the rate of speed at which the saw is fed through the material. If the saw is fed too quickly it may cause the blade to pinch and/or break.

3. Pocket Cutting

A pocket cut is a method of making an inside cut directly into a wood board without first drilling a pilot hole. To make a pocket cut, first measure and clearly mark the material to be cut. Make sure the base plate of the saw is extended forward. Tip the saw forward until the front of the base plate rests firmly on the wood and the blade remains clear the wood at its full stroke – Fig 21. Next, turn on the saw and let it reach its maximum speed. While holding the saw firmly, slowly lower the blade into the material until the blade reaches its completed depth and the base plate is resting flat on the surface of the material – Fig 22. Keep the base plate flat against the material and begin making your cut.

Fig. 21

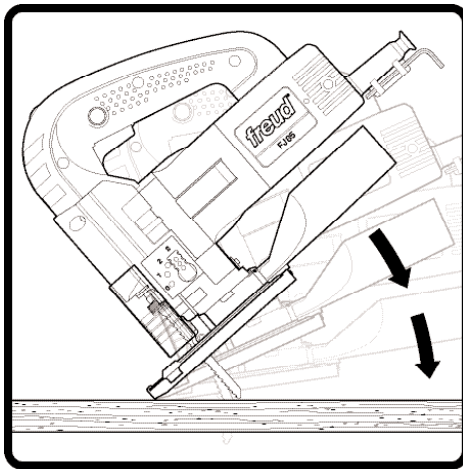
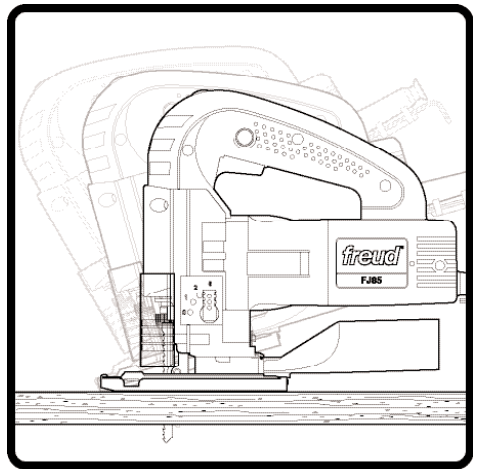


Fig. 22



4. Angular Cutting

The base plate can be tilted up to 45° to produce angle cuts. Please refer to the earlier section in this manual for instructions on making base plate angle adjustments.

5. Wood Cutting

Make certain that the material is secured firmly before you begin cutting. Never turn on the saw if the saw blade is in contact with the material. This could stall the motor or make the saw kick back and potentially result in injury. To make the cut, place the front of the base plate firmly on the material, turn on the saw and allow the blade to reach its maximum speed. Next, press the blade into the wood making certain that the base plate remains flush with and flat on the material. Let the saw cut at its own rate of speed and do not force the tool through the wood. When the cut is complete, turn off the saw and let the blade stop completely before lifting the saw from the material.

6. Metal Cutting

Be sure to use the proper blade for the metal you are cutting. Use a finer blade when cutting ferrous metals (metals with high iron content) and use a coarser blade when cutting non-ferrous metals (metals with no iron content). When cutting metal, it is also recommended to use a lubricant on the blade such as spindle oil or soapy water to keep the blade cool and extend its life. Use a high speed setting on the saw when cutting soft metals (aluminum, copper, brass, mild steel, galvanized pipe, etc.) and use a low speed setting to cut hard metals, cast iron, plastics, tile, and Formica®. When cutting thin sheet metal, it is advised to clamp wood or plywood to the bottom of the sheet metal to insure a clean cut and prevent to sheet metal from vibrating or tearing.

7. Blade Selection

Be certain to use the appropriate blade for the material you are cutting and make a test cut first in scrap material.

- Most jigsaw blades have teeth that point upwards. This tooth configuration produces a clean cut on the bottom of the material. Also, blades with upward pointing teeth help pull the saw through the material and reduce vibration.
- Some blades have downward pointing teeth known as reverse-tooth blades. These blades produce a clean cut on the top of the material and are useful in applications such as a sink cutout in a countertop that is already installed. Remember: When using a reverse tooth blade you must maintain constant downward pressure on the saw as the teeth will not help pull the saw through the material.
- Some jigsaw blades have teeth that point straight out. These blades provide a splinter free cut on both sides of the material. Downward pressure must also be consistently applied when using these blades.

MAINTENANCE & INSPECTION

Service

It is recommended that all service on your Freud tool be performed by an Authorized Freud service center. Service by unauthorized service personnel may result in misplaced or misassembled internal components resulting in risk of tool malfunction and personal injury to the tool user.

Tool Lubrication

All power tools require care and attention. Every second change of brushes, we recommend leaving the tool with an authorized Freud service center for a general cleaning and gear lubrication.

Bearings

We recommend that at every second change of brushes, the bearings be replaced by an authorized Freud service technician. Bearings that become very noisy should be replaced at once to avoid overheating or motor failure.

Brushes

Use only brushes that are specified for your Freud power tool. The brushes should be checked for wear every 200 hours of service.

Commutators

Commutators which have been scratched or warped through wear and tear must be replaced by an authorized Freud repair technician. Never file the commutator with emery paper.

Inspect Blades

Regularly inspect your jig saw blades to insure they are sharp. Dull blades will cause the tool to operate less efficiently and may cause the motor to malfunction.

Inspect Screws

Regularly inspect all screws in your power tool and make sure they are properly tightened. Loose screws should be retightened immediately.

To locate a Freud Service Center nearest you, call: 1-800-334-4107

ACCESSORIES

Standard Accessories

- 3 Saw Blades
- Anti-Splinter Insert
- Non-Marring base plate
- Dust Collection Port

Optional Accessories

- Edge Guide - Part Number 13550.5521

NORTH AMERICAN POWER TOOL WARRANTY

FREUD LIMITED POWER TOOL WARRANTY

90 DAY MONEY BACK GUARANTEE

If within the first 90 days from the date of original purchase you are not completely satisfied with your Freud power tool for any reason you may return the tool (in its original packaging and complete with all accessories) to the place of purchase with proof of purchase (e.g. dated sales receipt) for a full refund.

FREUD LIMITED FIVE YEAR POWER TOOL WARRANTY

Freud warrants to the original consumer purchaser that each new Freud power tool shall be free from defects in material and workmanship for a period of five (5) years from the purchase date. When warranty service is requested, proof of purchase (e.g. dated sales receipt) is required. Should the power tool fail within ninety (90) days from the date of purchase, it will be repaired or replaced AT THE CUSTOMER'S OPTION subject to the guidelines below. Thereafter, upon verification of failure or malfunction, at Freud's option, Freud will repair or replace the power tool, subject to the guidelines below. This warranty does not cover damage incurred from repair or attempted repair by anyone other than Freud's authorized personnel, normal wear and tear, abuse, lack of maintenance, or accidents.

FREUD WARRANTY GUIDELINES

1. In the event of failure or malfunction, return the product, properly packaged and postage prepaid, to Freud at the address listed below or to an authorized Freud service station. For technical advice, instructions on returns, or a list of authorized repair stations, please contact us at (U.S.) 1-800-334-4107 (Canada) 1-800-263-7016.
2. All implied warranties for Freud power tools (INCLUDING MERCHANTABILITY AND FITNESS FOR PARTICULAR PURPOSE) are limited to the period of three years from the purchase date by the original consumer purchaser. Some states do not allow limitations on how long an implied warranty lasts, so the above limitation may not apply to you.
3. A warranty claim shall be limited to repair or replacement as stated in Freud's Limited Power Tool Warranty, and in no event shall Freud be liable for any other direct, indirect, incidental or consequential damages, costs or expenses. INCIDENTAL AND CONSEQUENTIAL DAMAGES ARE EXCLUDED UNDER ALL WARRANTIES. Some States do not allow the exclusion or limitation of incidental or consequential damages, so the above limitation or exclusion may not apply to you.
4. Freud's warranties give you specific legal rights, and you may also have other rights which vary from State to State.
5. Freud's warranties shall not be deemed to have failed their essential purpose while Freud is willing to repair or replace defective products.
6. Freud assumes no liability for defects or damage caused by abuse or misuse of any product or unauthorized service of any product. The product must have been used for its recommended purpose and not modified or changed. Normal wear and tear is not covered under Freud's warranties.
7. Any legal action for breach of warranty must be commenced within one year after the claim has arisen.
8. All warranties are expressly limited to the original consumer purchaser. All warranties and other rights of the purchaser shall be governed under the laws of the State of North Carolina without regard to conflict of law principles.

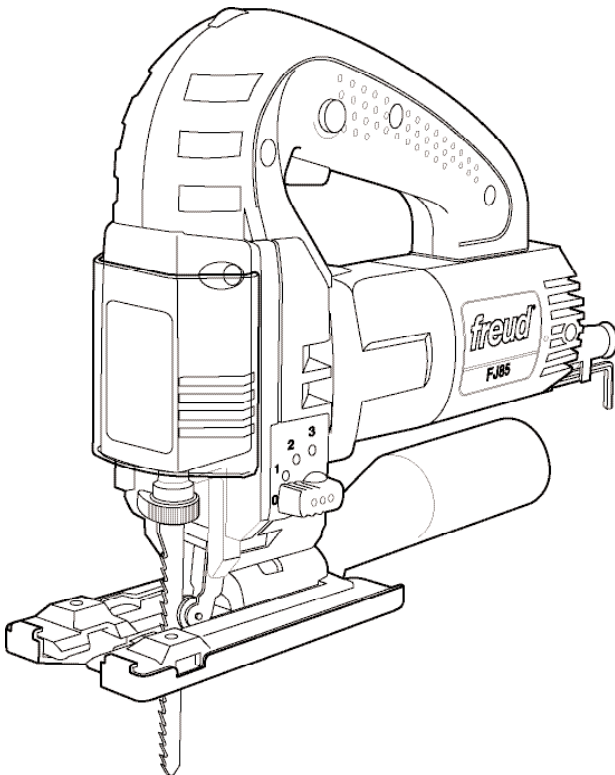
To obtain service under Freud Limited Power Tool Warranty, contact an authorized repair station or:

Freud America, Inc.
 (Attn: Technical Service)
 218 Feld Avenue
 High Point, North Carolina 27263
 1-800-334-4107

Freud Canada
 (Attn: Technical Service)
 7450 Pacific Circle
 Mississauga, Ontario L5T 2A3
 Canada
 1-800-263-7016

(c) Copyright 2005, Freud America, Inc. All rights reserved.


INSTRUCTIONS D'UTILIZATION

freud[®]**Scie Sauteuse Orbitale FJ85**

⚠ AVERTISSEMENT: Pour réduire les risques de blessure, l'utilisateur doit lire et comprendre les consignes d'utilisation avant d'utiliser ce produit.

Scie sauteuse orbitale FJ85

SÉCURITÉ

 **WARNING:** Read and understand all instructions. Failure to follow all instructions listed below may result in electric shock, fire, and/or serious personal injury.

CONSERVER CES INSTRUCTIONS

RÈGLES GÉNÉRALES DE SÉCURITÉ

1. Aire de travail

- a) Garder l'aire de travail propre et bien éclairée. L'encombrement et un mauvais éclairage sont propices aux accidents pouvant causer des blessures corporelles.
- b) Ne pas utiliser d'outils mécaniques dans un milieu déflagrant tel qu'en présence de liquide inflammable, de gaz ou de poussière. Les outils mécaniques génèrent des étincelles qui peuvent enflammer la poussière ou les vapeurs.
- c) Garder éloignés les tiers, les enfants et les visiteurs pendant l'utilisation d'un outil mécanique. Les distractions peuvent entraîner une perte de contrôle par l'utilisateur.

2. Règles de sécurité en matière d'alimentation

- a) Les outils à double isolation sont dotés d'une fiche polarisée (une branche de la fiche est plus large que l'autre). Ce type de fiche ne peut être branché que d'une seule façon dans une prise de courant polarisée. Si la fiche ne peut être insérée complètement dans la prise, inverser la fiche. Si la fiche ne peut toujours pas être correctement insérée, communiquer avec un électricien qualifié et lui demander d'installer une prise de courant polarisée. Ne jamais changer la fiche, d'aucune façon. La double isolation élimine le besoin d'utiliser un cordon d'alimentation à trois fils et d'une source d'alimentation avec mise à la terre.
- b) Éviter le contact corporel avec les surfaces mises à la terre telles que les tuyaux, les radiateurs, les cuisinières et les réfrigérateurs. Le contact corporel avec les surfaces mises à la terre augmente le risque de décharge électrique.
- c) Ne pas exposer les outils mécaniques à la pluie. Ne pas utiliser les outils mécaniques dans un endroit humide ou détrempé. L'eau qui entre en contact avec un outil mécanique augmente le risque de décharge électrique.
- d) Faire attention au cordon d'alimentation. Ne jamais transporter un outil en le tenant par le cordon d'alimentation et ne jamais tirer sur le cordon pour retirer la fiche d'une prise. Tenir le cordon à l'écart de la chaleur, de l'huile, des arêtes vives et des pièces en mouvement. Remplacer immédiatement un cordon d'alimentation endommagé. Un cordon d'alimentation endommagé augmente le risque de décharge électrique.
- e) À l'extérieur, utiliser une rallonge électrique de catégorie "W-A" ou "W". Ces rallonges sont certifiées pour utilisation à l'extérieur et réduisent les risques de décharge électrique.

3. Sécurité personnelle

- a) Demeurer vigilant, être attentif à ce que l'on fait et faire preuve de bon sens lorsqu'on utilise un outil mécanique. Ne pas utiliser un outil lorsqu'on est fatigué ou sous l'influence de drogues, d'alcool ou de médicaments. Un moment d'inattention peut être source de sérieuses blessures corporelles.
- b) Porter des vêtements adéquats. Ne pas porter de vêtements amples ou de bijoux. Porter un filet protecteur pour contenir les cheveux longs. Tenir les cheveux, vêtements et gants à l'écart des pièces en mouvement. Les vêtements amples, les bijoux ou les cheveux longs peuvent être happés par les pièces en mouvement. Des gants de caoutchouc et des chaussures antidérapantes sont recommandés pour les travaux extérieurs.
- c) Éviter les mises en marche non intentionnelles. S'assurer que l'interrupteur est à la position « ARRÊT » avant de brancher un outil. Ne pas transporter un outil avec un doigt sur l'interrupteur et éviter de brancher un outil dont l'interrupteur est à la position "MARCHE".
- d) Prendre l'habitude de s'assurer que les clés de réglage sont retirées de l'outil avant de le mettre en marche. Une clé oubliée près d'une pièce mobile ou tournante peut causer des blessures corporelles.
- e) Garder son équilibre. Garder une pose des pieds adéquate et son équilibre en tout temps. Une pose des pieds adéquate et l'équilibre assurent un meilleur contrôle de l'outil, en toute situation.
- f) Utiliser l'équipement de sécurité adéquat. Toujours porter des lunettes de protection. Utiliser un masque facial ou anti-poussières si l'activité de coupe génère de la poussière.

4. Utilisation et maintenance de l'outil

- a) Fixer la pièce à couper. Utiliser des serres ou des pinces étau pour fixer la pièce à couper sur un support stable. L'utilisation de serres ou de pinces étau permet d'utiliser les deux mains pour manier l'outil. Tenir la pièce à la main ou l'appuyer contre son corps est une procédure instable qui peut provoquer une perte de contrôle.
- b) Ne pas forcer l'outil. L'outil mécanique offre un meilleur rendement et est plus sécuritaire lorsqu'il est utilisé à l'intensité pour laquelle il a été conçu.
- c) Utiliser le bon outil pour l'activité de coupe. Ne pas utiliser un outil mécanique pour un travail pour lequel il n'a pas été conçu.
- d) Ne pas utiliser l'outil si l'interrupteur ne peut en contrôler la mise en marche ou l'arrêt. Tout outil ne pouvant être contrôlé au moyen de son interrupteur est dangereux et doit être réparé. Un interrupteur défectueux doit être remplacé à un centre de service Freud autorisé.
- e) Débrancher la prise de la source d'alimentation quand l'outil n'est pas utilisé, avant sa maintenance et avant de remplacer ou de changer un accessoire tel qu'une lame, une mèche ou un couteau. Le respect de telles mesures de sécurité préventives réduit le risque de mise en marche accidentelle de l'outil et de blessure corporelle.
- f) Ranger les outils non utilisés. Les outils doivent être rangés dans un endroit sec, élevé ou verrouillé et hors de portée des enfants.
- g) Prendre soin de ses outils. Garder les outils de coupe aiguisés et propres pour assurer un meilleur rendement et une meilleure sécurité. Suivre les instructions pour lubrifier l'outil et changer les accessoires. Inspecter régulièrement le cordon d'alimentation. Un cordon d'alimentation endommagé doit être remplacé à un centre de service Freud autorisé. Inspecter périodiquement les rallonges électriques et remplacer les rallonges endommagées. Tenir les poignées sèches et propres, exemptes d'huile ou de graisse. Les outils correctement entretenus, dotés de lames bien aiguisées, sont moins susceptibles de bloquer et plus faciles à contrôler.
- h) Vérifier la présence de pièces endommagées. Avant de continuer à utiliser l'outil, un protecteur ou autre élément endommagé doit être inspecté pour déterminer s'il peut fonctionner correctement et accomplir sa fonction. Vérifier l'alignement des pièces mobiles, le montage et les autres composants qui peuvent avoir une incidence sur l'utilisation de l'outil. Un protecteur ou autre composant endommagé doit être réparé ou remplacé par un centre de service Freud autorisé, à moins d'indication contraire dans le présent manuel d'utilisation.
- i) N'utiliser que les accessoires recommandés par le fabricant pour le modèle d'outil utilisé. Des accessoires adaptés à un outil donné peuvent être source de danger s'ils sont utilisés avec un autre outil.

5. Service

- a) Le service doit être assuré uniquement par un centre de service Freud autorisé. Le service ou la maintenance exécuté par du personnel non qualifié peut entraîner des risques de blessure
- b) Pour la maintenance d'un outil, n'utiliser que des pièces de remplacement identiques. Suivre les instructions figurant à la section Maintenance du présent manuel. L'utilisation de pièces non autorisées ou le non respect des instructions relatives à la maintenance peut entraîner des risques de décharge électrique ou de blessure corporelle. Certains produits de nettoyage tels que l'essence, le tétrachlorure de carbone, l'ammoniac, etc., peuvent endommager les pièces en plastique.

RÈGLES DE SÉCURITÉ ADDITIONNELLES POUR SCIE SAUTEUSE

1. Tenir l'outil par les surfaces de prise isolées. Le contact avec un fil « vivant » électrifie les pièces métalliques exposées de l'outil et peut causer une décharge électrique.
2. Ne jamais exécuter une tâche où l'outil de coupe peut entrer en contact avec des fils cachés ou avec son propre cordon d'alimentation. Par exemple, ne jamais couper dans un mur pouvant contenir des fils électriques.
3. Tenir les mains à l'écart de la zone de coupe. Ne pas mettre la main sous le matériau coupé. La distance entre la lame et la main ne peut alors être perçue par l'utilisateur.
4. Ne pas mettre la main entre la boîte d'engrenage et le porte lame. Le porte lame à va-et-vient peut coincer les doigts.
5. N'utiliser que des lames de scie aiguisées et en parfait état. Changer immédiatement une lame déformée, édentée ou endommagée. Une lame faussée peut facilement briser ou causer un blocage avec rebond.

6. L'outil ne doit en aucun cas être mis en marche alors que la lame est déjà en contact avec le matériau à couper. Insérer la lame dans le matériau seulement quand l'outil a atteint la vitesse désirée. Si la vitesse de la lame est trop faible au début de la coupe, une tension indue est appliquée à la lame et l'outil peut vibrer et potentiellement bloquer et rebondir.
7. S'assurer que la semelle est bien en contact avec le matériau avant de débiter la coupe.
8. Ne pas forcer la coupe. Permettre à l'outil de couper à une vitesse modérée.
9. Fixer le matériau avant la coupe. Ne jamais le tenir à la main ou entre les jambes. Les matériaux minces ou de petite dimension peuvent plier ou vibrer et causer une perte de contrôle.
10. Avant de faire une coupe, s'assurer que toutes les vis de réglage et que le porte lame sont bien serrés. Des vis de réglage ou de fixation de la lame mal serrées peuvent causer un glissement de l'outil ou de la lame et entraîner une perte de contrôle.
11. S'assurer que le cordon d'alimentation et que la rallonge électrique sont maintenus à l'arrière de l'outil pendant les travaux. Cette pratique réduit le risque de couper accidentellement les cordons d'alimentation pendant l'utilisation de l'outil.
12. Lors du retrait de la lame, éviter le contact avec la peau; utiliser des gants de protection appropriés pour saisir la lame ou un accessoire. Les accessoires peuvent être chauds après l'utilisation de l'outil.
13. **AVERTISSEMENT** : Certaines poussières dégagées pendant les travaux de sablage, de sciage, de meulage, de perçage et autres travaux de construction peuvent contenir des produits chimiques cancérigènes ou pouvant provoquer des anomalies congénitales et autres effets nuisibles à la reproduction. Exemples de produits chimiques nocifs :
 - plomb présent dans la peinture au plomb;
 - silice cristalline présente dans la brique, le ciment et autres produits de maçonnerie;
 - arsenic et chrome présent dans le bois traité.

Le risque d'exposition varie selon la fréquence des travaux exécutés avec ces matériaux. Pour réduire l'exposition à ces produits chimiques, travailler dans un local bien ventilé, utiliser de l'équipement de sécurité approuvé tel que les masques anti-poussière spécialement conçus pour filtrer les particules microscopiques.

DOUBLE ISOLATION

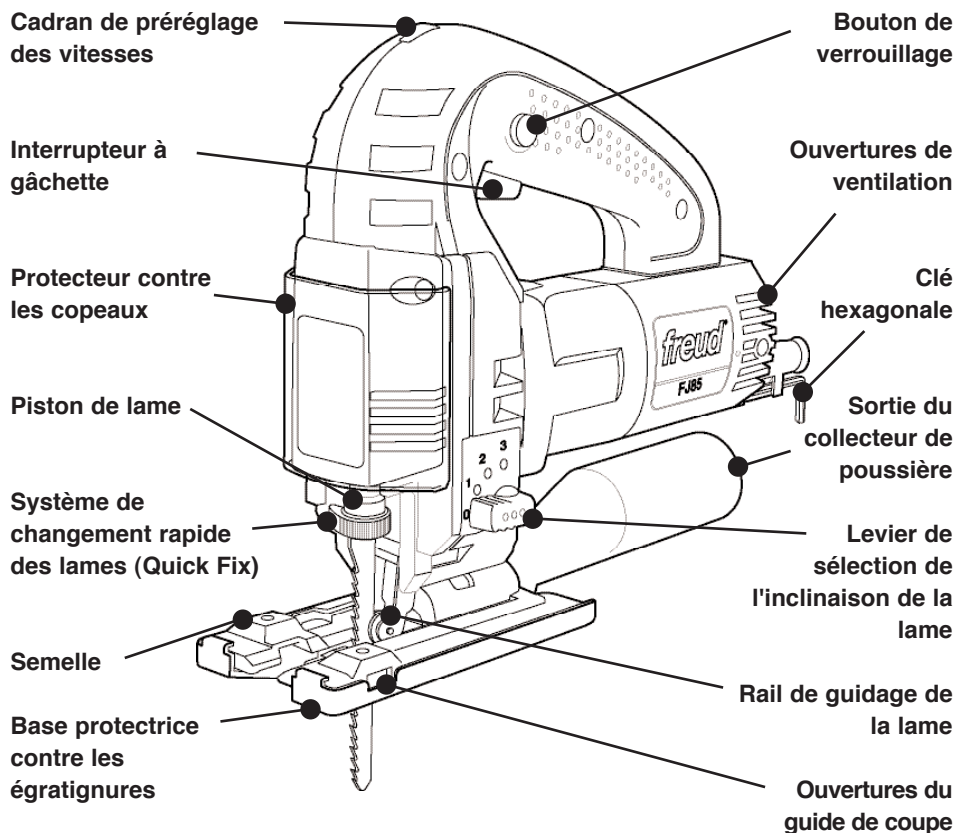
1. Pour assurer une utilisation sécuritaire de cet outil, Freud a adopté une solution de conception à double isolation. « Double isolation » signifie que deux systèmes d'isolation physiquement séparés ont été utilisés pour isoler le matériel conducteur d'électricité raccordé à l'alimentation du corps extérieur tenu par l'utilisateur.

Pour préserver l'efficacité du système à double isolation, suivre les précautions suivantes:

- S'assurer de ne pas percer le boîtier du moteur, cela pouvant nuire à l'efficacité du système à double isolation.
- Seuls les centres de service Freud autorisés doivent désassembler et assembler cet outil mécanique et seules des pièces de rechange Freud d'origine doivent être installées. Pour trouver le centre de service autorisé le plus près, communiquer avec Freud au 1-800-263-7016.

DESCRIPTION ET SPÉCIFICATIONS

DESCRIPTION FONCTIONNELLES






SPÉCIFICATIONS

Alimentation	Monophasée, 120V, c.c., 60Hz
Intensité	6
Puissance	650
Vitesse	500-3000 courses/minute
Longueur de course	1 po
Angle de coupe maximal	45°
Capacité de coupe (bois)	2 3/8 po
Capacité de coupe (acier)	1/4 po
Capacité de coupe (métaux non ferreux)	3/4 po
Poids	5,4 lb

SYMBOLES

Certains des symboles suivants peuvent être utilisés sur l'outil. Étudier ces symboles et apprendre leur signification. L'interprétation correcte de ces symboles permet d'utiliser l'outil plus efficacement et de façon plus sécuritaire.

Symbole	Nom	Désignation/Explication
V	Volts	Tension (potentiel)
A	Ampères	Courant
Hz	Hertz	Cadence (cycles par seconde)
W	Watt	Puissance
n_0	Vitesse à vide	Vitesse de rotation à vide
.../min	Révolutions ou va-et-vient par minute	Révolutions, courses, vitesse périphérique, orbites, etc. par minute
	Conception de classe 2	Désigne les outils à double isolation
	Courant alternatif	Type ou caractéristique du courant
	Avertissement de sécurité	Précautions relatives à la sécurité de l'utilisateur

ASSEMBLAGE ET UTILISATION

AVANT L'UTILISATION

1. Vérifier la source d'alimentation

S'assurer que la source d'alimentation à utiliser est conforme aux spécifications figurant sur la plaque signalétique de l'outil. S'assurer que la prise de courant s'adapte bien à la fiche. Une prise défectueuse peut causer une surchauffe et constituer un grave danger.

2. Vérifier l'aire de travail

S'assurer que l'aire de travail est conforme aux précautions énoncées à la section Sécurité du présent manuel.

3. Avant de brancher l'outil

S'assurer que l'interrupteur de l'outil mécanique est à la position « ARRÊT » pour éviter une mise en marche accidentelle pouvant causer de graves blessures corporelles.

4. Installation de la lame

- a) Débrancher l'outil.
- b) Glisser le protecteur contre les copeaux vers le haut pour accéder à la bague « Quick Fix ». - Figure 1
- c) Tourner la bague « Quick Fix » jusqu'à ce qu'elle bloque. - Figure 2
- d) Insérer la lame jusqu'à la butée d'arrêt et s'assurer que le côté lisse de la lame est appuyé contre les rouleaux du guide. - Figure 2
- e) Relâcher la bague « Quick Fix ». - Figure 3
- f) Tirer la lame vers le bas pour s'assurer qu'elle est bien fixée en place.
- g) Glisser le protecteur contre les copeaux vers le bas jusqu'à ce qu'il bloque. - Figure 4

Fig. 1

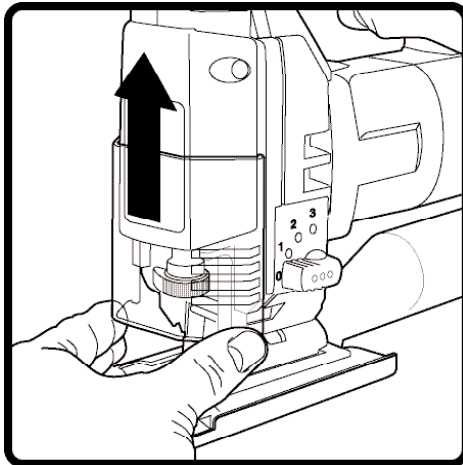


Fig. 2

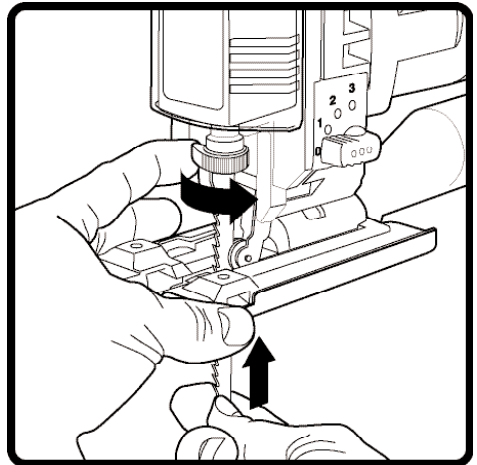


Fig. 3

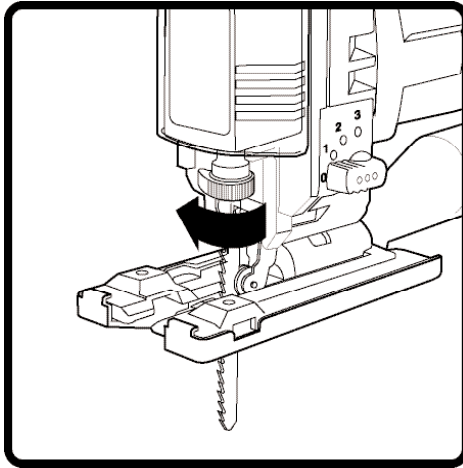
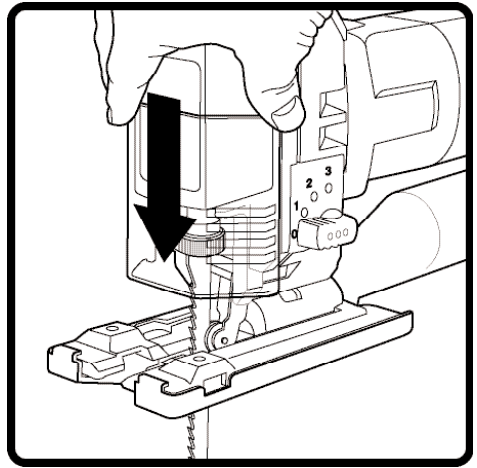


Fig. 4



5. Ajustement de la vitesse de la lame

a) Interrupteur à gâchette à vitesse variable

Cet outil est doté d'un interrupteur à gâchette à vitesse variable. L'outil peut être mis en marche et arrêté en appuyant sur la gâchette ou en la relâchant. La vitesse peut être réglée entre les valeurs minimales et maximales sélectionnées au cadran de présélection des vitesses, selon la pression exercée sur la gâchette. Plus forte est la pression sur la gâchette, plus la vitesse de la lame est élevée. Moins la pression est forte, moins la vitesse est élevée.

b) Cadran de présélection de la vitesse

Cette fonction permet de préréglager la vitesse maximale de la lame en tournant le cadran situé sur la partie supérieure de la poignée de la scie. La vitesse de la lame ne sera jamais plus élevée que la vitesse maximale sélectionnée. - Figure 5

c) Régulateur de vitesse électronique

Cet outil est doté d'un module électronique tachymétrique assurant la constance de la vitesse de la lame pendant la coupe. Cette fonction permet à la scie de maintenir une vitesse de coupe constante et permet une qualité de finition uniforme, même si la pression sur l'outil augmente ou diminue.

d) Bouton de verrouillage

Situé sur le côté de la poignée de la scie, au-dessus de la gâchette, ce bouton permet d'utiliser la scie à la vitesse présélectionnée sans avoir à tenir la gâchette. Pour verrouiller la gâchette à la position "MARCHE", appuyer sur la gâchette, presser le bouton puis relâcher la gâchette - Figure 6. Pour déverrouiller la gâchette, appuyer sur la gâchette puis la relâcher, sans presser sur le bouton de verrouillage - Figure 7.

Fig. 5

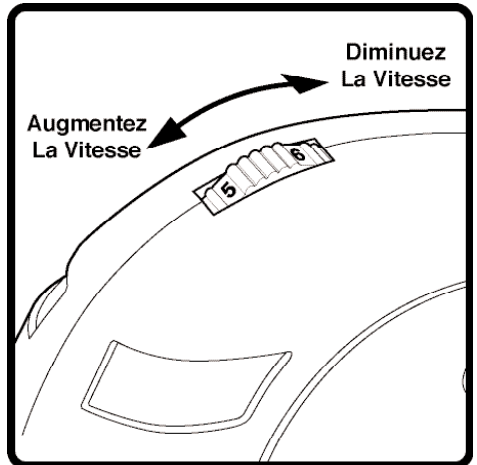


Fig. 6

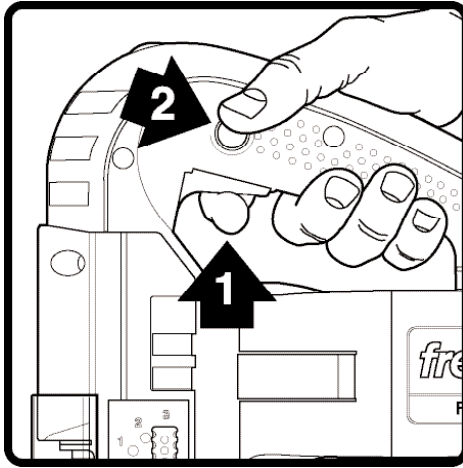
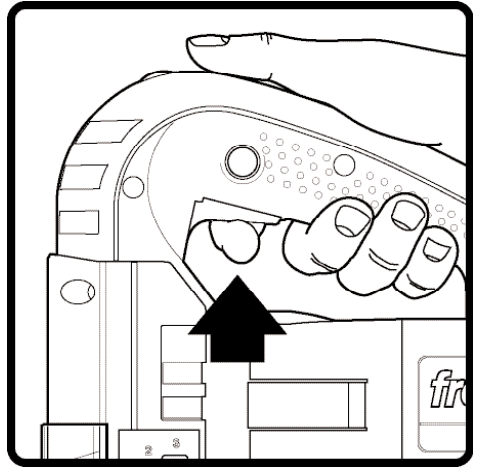


Fig. 7



Important : S'assurer que l'interrupteur et le bouton de verrouillage ne sont pas engagés avant de brancher l'outil.

6. Réglage de la fonction orbitale

a) Cet outil est doté d'une fonction orbitale qui permet d'orienter la lame de l'avant à l'arrière et de bas en haut. Cette fonction permet d'optimiser l'efficacité de coupe dans les matériaux. - Figures 8 et 9.

Fig. 8

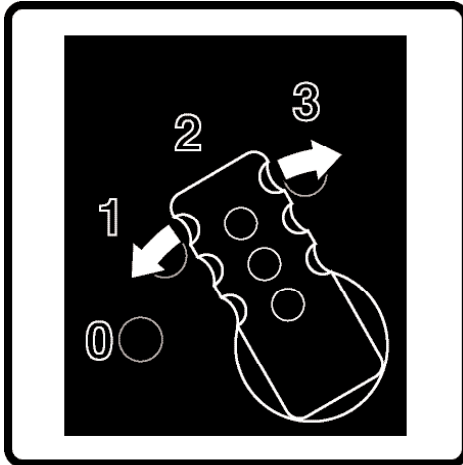
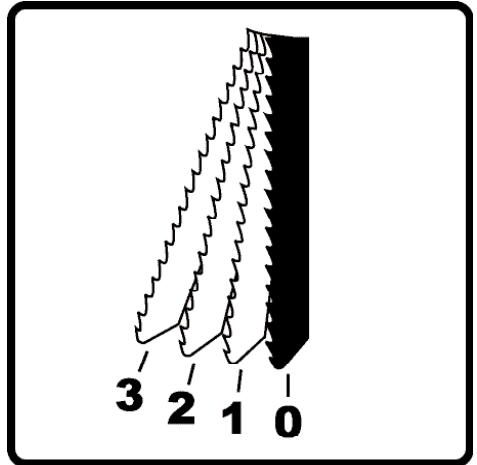


Fig. 9



b) Utiliser le tableau ci-dessous pour déterminer le réglage orbital approprié au travail à exécuter. Ce tableau ne présente que les lignes directrices. Effectuer des essais dans des matériaux de rebut avant de déterminer le réglage approprié.

Réglage 0	Bon pour les métaux et les plastiques et meilleure qualité de finition pour le bois et les produits du bois tels que le contreplaqué, l'aggloméré, etc. Également bon pour les coupes en oblique.
Réglage 1	Meilleure qualité de coupe dans le bois et les produits du bois là où la vitesse de coupe est plus importante que la qualité de la coupe.
Réglage 2	Bonne qualité de coupe et vitesse de coupe supérieure dans le bois et les produits du bois.
Réglage 3	Vitesse de coupe la plus élevée avec grosse taille dans le bois et les produits du bois là où la vitesse de coupe est plus importante que la qualité de la coupe.

7. Réglage de l'angle de la semelle

La semelle peut être inclinée pour former un angle de coupe allant jusqu'à 45° - Figure 10.

Pour régler l'angle de la semelle, débrancher l'outil puis, au moyen de la clé hexagonale incluse, desserrer la vis située à la base de la scie - Figure 11

Positionner la semelle aussi loin que possible pour avoir accès à l'inclinaison maximale de la lame - Figure 12.

Placer la semelle à l'angle de coupe désiré puis serrer la vis située à bas de la scie - Figures 13 et 14.

Note: La semelle doit être positionnée aussi loin que possible pour ne pas limiter l'inclinaison de la lame.

Fig. 10

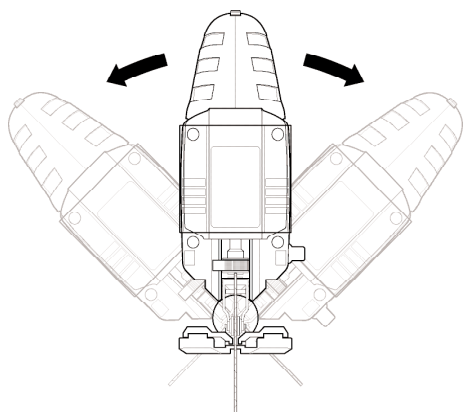


Fig. 11

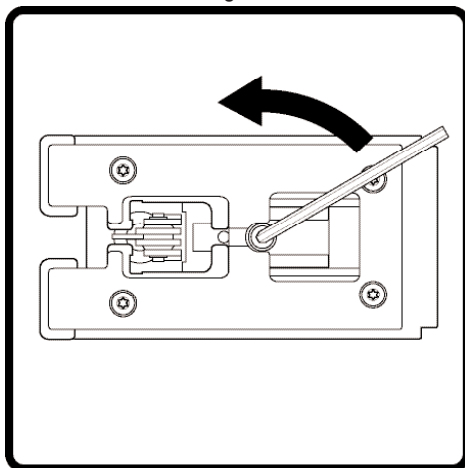


Fig. 12

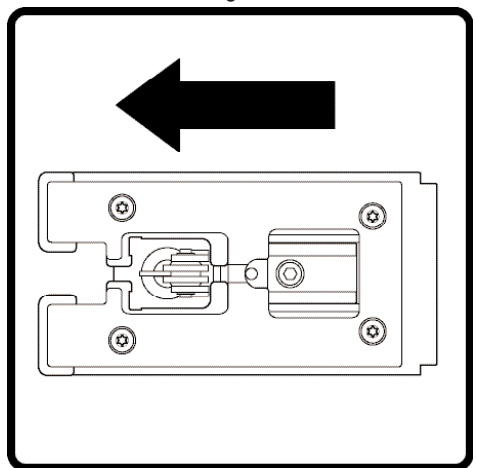


Fig. 13

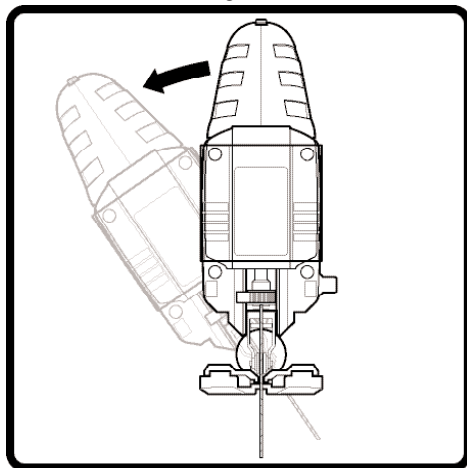
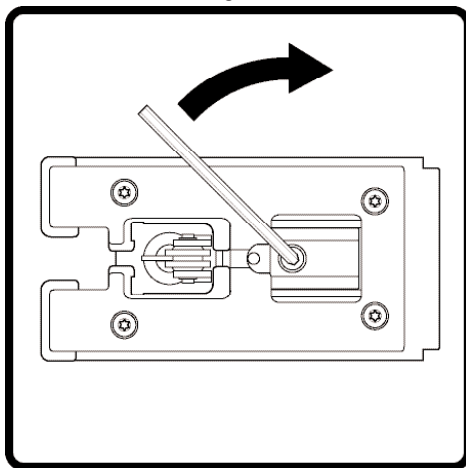


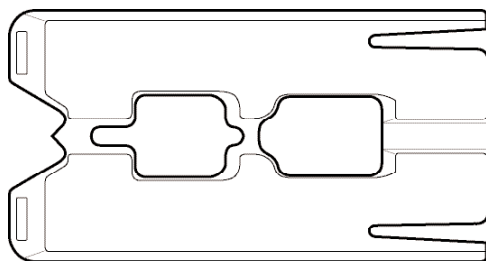
Fig. 14



8. Base protectrice contre les égratignures

Cet outil est fourni avec une base amovible contribuant à protéger les matériaux délicats des égratignures. - Figure 15

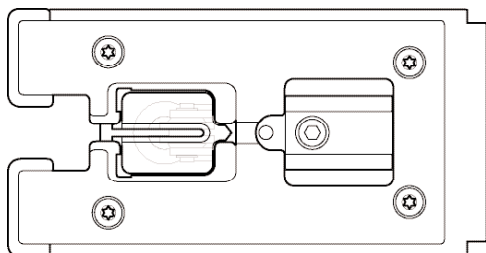
Fig. 15



9. Plaquette anti-écornures

Pour réduire les écornures sur la surface supérieure du matériau à couper, débrancher l'outil et insérer la plaquette anti-écornures dans l'espace prévue à cette fin, dans la semelle, et l'y pousser à fond. - Figure 16

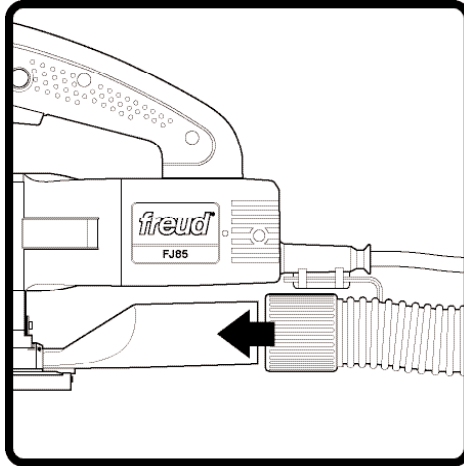
Fig. 16



10. Collecteur de poussière

Cet outil est doté d'un dispositif de collecte de la poussière. Pour utiliser le collecteur de poussière, simplement raccorder un aspirateur (vendu séparément) à la sortie du collecteur. Figure 17

Fig. 17

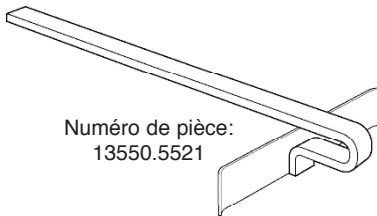


COUPE

ATTENTION: Pendant l'utilisation de la scie, s'assurer que la semelle demeure en contact avec le matériau coupé. Si la semelle n'est plus en contact avec le matériau, la lame peut briser ou la scie peut bloquer et effectuer un rebond, entraînant un risque de blessure corporelle.

1. Coupe droite

Pour une coupe en ligne droite, utiliser une règle droite pour tracer une ligne guide et glisser la scie le long de cette ligne. Accessoire en option, un guide (numéro de pièce 13550.5521) peut également être utilisé pour réaliser avec précision des coupes droites, parallèles au bord du matériau.



Numéro de pièce:
13550.5521

Insertion du guide:

- a) Débrancher la scie.
- b) Au moyen de la clé hexagonale fournie, desserrer l'écrou situé sous la semelle. - Figure 18
- c) Glisser la semelle complètement vers l'avant et serrer l'écrou. - Figure 19.
- d) Insérer le guide dans les ouvertures sur le dessus de la semelle et serrer l'écrou du guide pour le maintenir en place - Figure 20.

Fig. 18

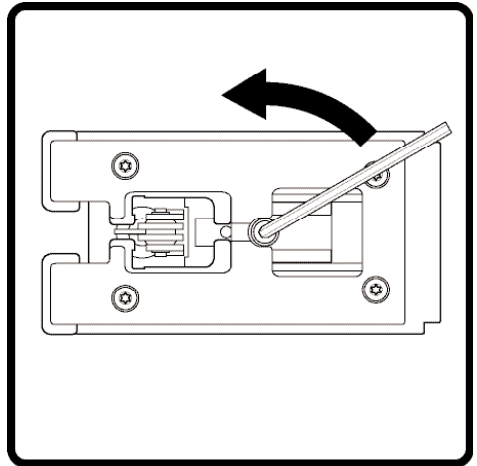


Fig. 19

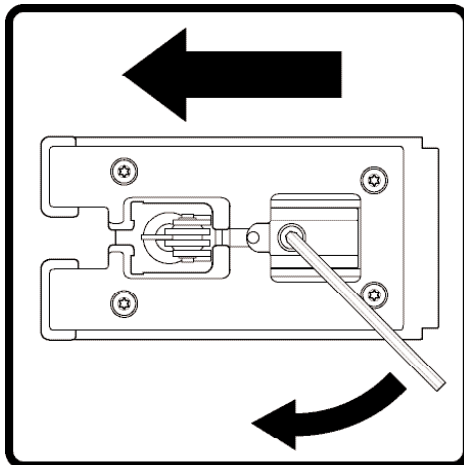
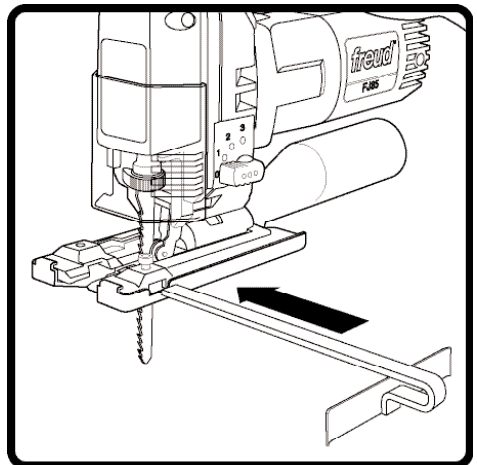


Fig. 20



2. Coupe incurvée

Pour les coupes incurvées, réduire la vitesse de coupe dans le matériau. Si la vitesse de coupe est trop élevée, la lame peut bloquer et (ou) se briser.

3. Coupe d'évidement

La coupe d'évidement est une méthode de coupe intérieure directe sur un panneau de bois sans d'abord forer un trou de départ. Pour la coupe d'un évidement, d'abord mesurer et marquer clairement le matériau à couper. S'assurer que la semelle de la scie est en position avancée. Pointer la scie vers l'avant jusqu'à ce que la semelle soit fermement appuyée sur le bois, la course de la lame n'atteignant pas le matériau. - Figure 21

Mettre la scie en marche et attendre qu'elle atteigne sa pleine vitesse. Tenir fermement la scie et, lentement, faire pénétrer la lame jusqu'à la garde et jusqu'à ce que la semelle repose complètement sur la surface du matériau. Figure 22

Maintenir la semelle à plat contre le matériau et débiter la coupe.

Fig. 21

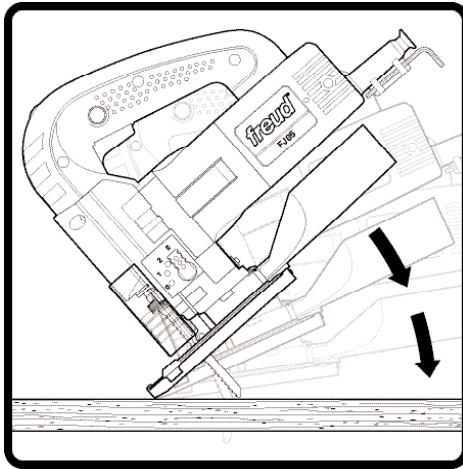
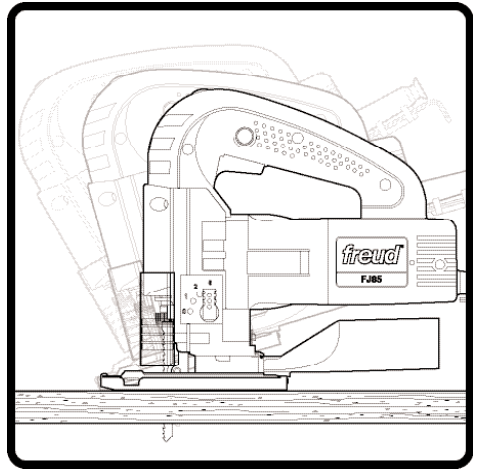


Fig. 22



4. Coupe angulaire

La semelle peut être inclinée jusqu'à 45° pour une coupe angulaire. Voir la section appropriée du présent manuel pour les instructions relatives au réglage de l'angle de la semelle.

5. Coupe du bois

S'assurer que le matériau est bien fixé en place avant de débiter la coupe. Ne jamais mettre la scie en marche si la lame est en contact avec le matériau à couper, sinon le moteur peut bloquer ou la scie, bloquer et rebondir et causer des risques de blessure. Pour faire la coupe, placer fermement l'avant de la semelle sur le matériau, mettre la scie en marche et permettre à la lame d'atteindre sa vitesse maximale. Faire pénétrer la lame dans le bois en s'assurant que la semelle demeure à plat sur le matériau. Laisser la scie couper à son propre rythme, ne pas forcer l'outil dans le bois. Une fois la coupe terminée, arrêter la scie et laisser la lame arrêter complètement avant de retirer la scie.

6. Coupe du métal

S'assurer d'utiliser la lame appropriée pour le métal à couper. Utiliser une lame plus fine pour les métaux ferreux (métal contenant une forte proportion de fer) et une lame moins dentelée pour les métaux non ferreux (ne contenant pas de fer). Pour couper du métal, il est également recommandé d'utiliser sur la lame un lubrifiant tel que de l'huile de faible viscosité ou de l'eau savonnée pour abaisser la température de la lame et en augmenter la durée de vie. Utiliser une vitesse élevée pour les métaux mous (aluminium, cuivre, laiton, acier doux, tuyau en acier galvanisé, etc.) et une vitesse peu élevée pour les métaux durs, la fonte, le plastique, les tuiles et le Formica(r). Pour les feuilles de métal minces, il est recommandé de fixer un panneau de bois ou de contreplaqué sous la feuille de métal pour obtenir une coupe nette et pour prévenir les vibrations et les déchirures.

7. Choix de la lame

S'assurer d'utiliser la lame appropriée au matériau à couper et faire d'abord des essais dans des matériaux de rebut.

- Les dents de la plupart des lames de scie sauteuse sont orientées vers le haut. Cette configuration permet une coupe nette à la surface inférieure du matériau. Cette même configuration facilite également la progression de la scie dans le matériau et réduit les vibrations.
- Les dents de certaines lames sont orientées vers le bas (lames à dents inversées). Ces lames permettent une coupe nette à la partie supérieure du matériau et sont utiles pour l'installation d'un évier sur un revêtement de comptoir déjà installé. Quand une lame à dents inversées est utilisée, veiller à maintenir sur la scie une pression constante vers le bas, la lame ne facilitant pas la pénétration de la scie dans le matériau.
- Les dents de certaines lames sont orientées vers l'avant. Ces lames permettent une coupe sans écornures sur les deux côtés du matériau. Une pression vers le bas doit également être maintenue avec ce type de lame.

MAINTENANCE ET INSPECTION

Service

Il est recommandé que toute activité de maintenance de l'outil Freud soit exécutée par un centre de service Freud autorisé. Les interventions effectuées par du personnel non autorisé peuvent engendrer des défauts de mise en place ou d'assemblage des composants internes causant un défaut de fonctionnement de l'outil et des risques de blessure corporelle pour l'utilisateur.

Lubrification

Tous les outils mécaniques requièrent des soins et de l'attention. À chaque deux changement des balais, nous recommandons de laisser l'outil à un centre de service Freud autorisé pour un nettoyage général et la lubrification des engrenages.

Roulements à bille

À chaque deux changement des balais, nous recommandons que les roulements à bille soient remplacés par un technicien Freud autorisé. Les roulements bruyants doivent être remplacés pour éviter la surchauffe et les pannes de moteur.

Balais

N'utiliser que les balais recommandés pour l'outil mécanique Freud. Les balais doivent être vérifiés toutes les 200 heures de service.

Commutateurs

Les commutateurs endommagés par l'usure doivent être remplacés par un technicien Freud autorisé. Ne jamais limer les commutateurs avec du papier d'émeri.

Inspection des lames

Inspecter régulièrement les lames de la scie sauteuse et s'assurer qu'elles demeurent aiguisées. Des lames émoussées réduisent l'efficacité de l'outil et peuvent causer un défaut de fonctionnement du moteur.

Inspection des vis

Inspecter périodiquement toutes les vis pour s'assurer qu'elles sont bien serrées. Les vis mal serrées doivent être immédiatement resserrées.

Pour connaître le centre de service Freud de sa région, composer le 1-800-334-4107.

ACCESSOIRES

Accessoires standard

- Trois (3) lames de scie
- Dispositif anti-écornures
- Base protectrice contre les égratignures
- Point de raccordement du collecteur de poussière

Accessoire en option

- Guide margeur - Numéro de pièce 13550.5521

GARANTIE

GARANTÍA LIMITADA DE LAS HERRAMIENTAS ELÉCTRICAS FREUD

90 DÍAS DE GARANTÍA PARA LA DEVOLUCIÓN DE SU DINERO

Si durante los primeros 90 días de la compra original no estuviese totalmente satisfecho con su herramienta eléctrica Freud, puede devolverla (en su empaque original con todos sus accesorios) al establecimiento donde la compró con el comprobante de pago (p. ej.: la factura fechada) para que le reembolsen todo su dinero.

GARANTÍA LIMITADA DE CINCO AÑOS DE LAS HERRAMIENTAS ELÉCTRICAS DE FREUD

Freud garantiza al comprador original que cada nueva herramienta eléctrica de Freud contra defectos de material y de mano de obra por un periodo de 5 años desde la fecha de compra. Cuando requiera servicio cubierto por esta garantía, deberá mostrar el comprobante de compra (factura). Si la herramienta eléctrica fallase dentro de los primeros noventa (90) días de la compra, a OPCIÓN DEL CLIENTE, se reparará o sustituirá de acuerdo a las pautas a continuación. De ahí en adelante, previa verificación de la falla o del mal funcionamiento, Freud, a su propio opción, la reparará o cambiará de acuerdo con las pautas que se indican a continuación. Esta garantía no cubre los daños derivados de reparaciones o intentos de reparaciones por personal no autorizado por Freud, del desgaste debido al uso normal, abuso, falta de mantenimiento o accidentes.

PAUTAS A SEGUIR PARA LA GARANTÍA DE FREUD

1. En caso de falla o mal funcionamiento, devuelva el producto, empaquetado correctamente y con franqueo pagado, a Freud a la dirección que aparece más abajo o a un centro de servicio autorizado por Freud. Para consultas técnicas, instrucciones para la devolución o para una lista de servicios autorizados comuníquese con nosotros (EE.UU.) 1-800-334-4107 (CANADÁ) 1-800-263-7016.
2. Todas las garantías implícitas de las herramientas eléctricas de Freud (INCLUYENDO Las GARANTÍAS DE COMERCIABILIDAD Y DE APLICABILIDAD PARA USOS PARTICULARES) se limitan al período de cinco años de la fecha de compra. Algunos estados no permiten restricciones a la duración de las garantías implícitas, por lo tanto, las limitaciones referidas podrían no aplicarse a usted..
3. Los reclamos cubiertos por la garantía estarán limitados a la reparación o reemplazo como se indica en la Garantía Limitada para Herramientas Eléctricas de Freud, y en ningún caso Freud será responsable en forma directa o indirecta por daños incidentales o consecuentes, costos ni gastos. **LOS DAÑOS INCIDENTALES Y CONSECUENTES ESTÁN COMPLETAMENTE EXCLUIDOS DE TODAS LAS GARANTÍAS.** Algunos Estados no permiten excluir los daños incidentales ni consecuentes, por lo tanto las limitaciones descritas pueden no aplicarse en ciertos casos.
4. Las garantías de Freud le otorgan derechos legales específicos y usted también podría tener otros derechos que varían de un Estado a otro.
5. No se podrá considerar incumplimiento de la garantía en su propósito esencial mientras Freud esté dispuesto a reparar o reemplazar sus productos defectuosos.
6. Freud no asume responsabilidad civil alguna por defectos o daños causados por abuso o mal uso de cualquier producto ni por su servicio no autorizado. El producto debe usarse para el propósito recomendado y no debe someterse a modificaciones ni cambios. El desgaste normal no está cubierto por garantía alguna de Freud.
7. Cualquier acción legal por incumplimiento de garantía debe iniciarse dentro del período de un año de surgido el reclamo.
8. Todas las garantías están expresamente limitadas al comprador original del producto. Todas las garantías y otros derechos del comprador se regirán por las leyes del estado de Carolina del Norte sin consideración a principios legales.

Para obtener servicios bajo la Garantía Limitada de las Herramientas Eléctricas Freud, comuníquese con un centro de servicio autorizado, o con:

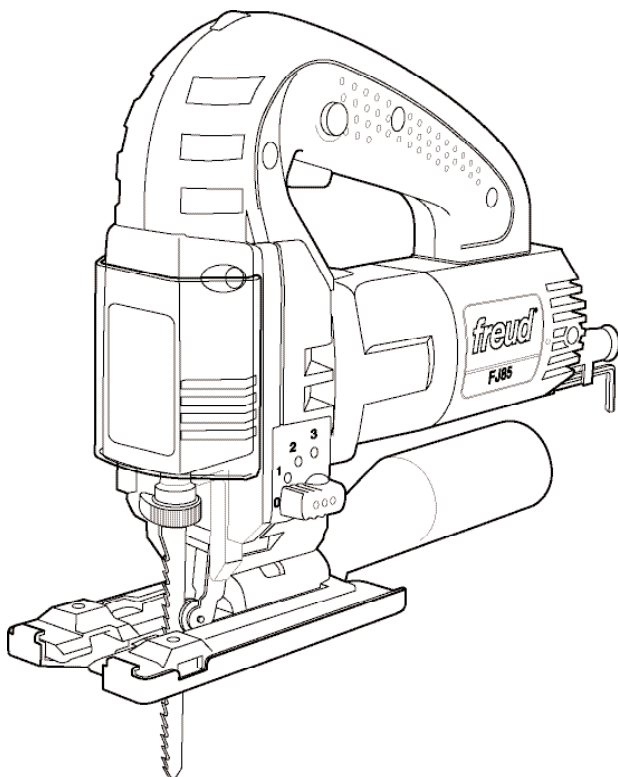
Freud America, Inc.
 (Attn: Technical Service)
 218 Feld Avenue
 High Point, North Carolina 27263
 1-800-334-4107

Freud Canada
 (Attn: Technical Service)
 7450 Pacific Circle
 Mississauga, Ontario L5T 2A3
 Canada
 1-800-263-7016

(c) Copyright 2005, Freud America, Inc. All rights reserved.

INSTRUCCIONES DE OPERACIÓN

freud®



FJ85 Sierra de Calar Orbital

⚠ ATENCIÓN: Para reducir el riesgo de accidentes, el usuario debe leer y comprender las instrucciones de operación antes de usar este producto.

SEGURIDAD

⚠ ATENCIÓN: Lea y entienda todas las instrucciones. El no leer las instrucciones de abajo puede resultar en choque eléctrico, fuego y/o heridas serias.

GUARDE ESTAS INSTRUCCIONES

REGLAS GENERALES DE SEGURIDAD

1. Area de trabajo

- Mantenga su área de trabajo limpia y bien alumbrada. Las mesas de trabajo llenas de cosas y las áreas oscuras invitan accidentes que pueden resultar en heridas corporales.
- No opere herramientas eléctricas en atmósferas explosivas, tales como en la presencia de líquidos inflamables, gases o polvo. Las herramientas eléctricas crean chispas que pueden prender fuego en presencia de polvo o gases.
- Mantenga a los transeúntes, niños y visitantes alejados mientras opera una herramienta eléctrica. Las distracciones pueden ocasionarle pérdida del control.

2. Seguridad Eléctrica

- Las herramientas con aislamiento doble están equipadas con un cable polarizado (una hoja del enchufe es más grande que la otra). Este enchufe encajará en la toma polarizada de electricidad de una sola manera. Si el enchufe no encaja bien en el tomacorrientes, voltee el enchufe. Si todavía no encaja, contacte a un electricista calificada para instalar un tomacorrientes polarizado. No altere el enchufe de ninguna forma. El aislamiento doble elimina la necesidad de un cable de tres líneas con polo a tierra y del sistema que provee polo a tierra.
- Prevenga el contacto corporal con superficies que tocan el suelo tales como tuberías, radiadores, registros y refrigeradores. Existe un incremento del riesgo de choque eléctrico si su cuerpo está en contacto con el suelo.
- No exponga las herramientas eléctricas a la lluvia. Tampoco las utilice en lugares húmedos o moja dos. El agua que entre en la herramienta aumentará el riesgo de choque eléctrico.
- No abuse del cable. Nunca cargue la herramienta por el cable o jale el cable para halar el enchufe de un receptáculo. Mantenga el cable alejado del calor, aceite, bordes afilados o partes móviles. Reemplace los cables dañados inmediatamente. Los cables dañados aumentan el riesgo de choque eléctrico.
- Al operar una herramienta eléctrica afuera, use un cable de extensión marcado "W-A" o "W". Estos cables están clasificados para uso exterior y reducen el riesgo de choque eléctrico.

3. Seguridad Personal

- Permanezca alerta, observe lo que está haciendo y use el sentido común al operar una herramienta eléctrica. No opere una herramienta cuando esté cansado o bajo la influencia de drogas, alcohol o medicamentos. Un momento de desatención al operar una herramienta eléctrica puede resultar en heridas corporales serias.
- Use ropa apropiada. No utilice ropa floja o joyas. Use un protector de pelo para cubrir el cabello largo. Mantenga su pelo, ropa y guantes alejados de las partes móviles. La ropa floja, joyas o cabello largo pueden atascarse en las partes móviles. Guantes de hule y calzado antideslizante son recomendados para trabajar en exteriores.
- Evite el encendido inintencionado. Asegúrese que el interruptor esté apagado antes de conectarlo. No cargue herramientas con el dedo en el interruptor o conecte herramientas que tienen el interruptor encendido.
- Forme el hábito de chequear para ver si las llaves de ajuste fueron removidas de la herramienta antes de ser encendida. Una llave que fue dejada en una parte rotatoria de la herramienta puede ocasionar heridas corporales.
- No se sobre extienda. Mantenga el equilibrio todo el tiempo. La posición adecuada y el equilibrio permiten el control de la herramienta en cualquier situación.
- Use equipo de seguridad. Use siempre gafas protectoras. Utilice, también, una máscara facial o contra el polvo si la operación de cortado es polvorienta.

4. Uso de la herramienta y cuidado

- a) Asegure su trabajo. Use tornillos para asegurar y soportar la pieza de trabajo a una plataforma estable. Asegurar el trabajo con un tornillo o un torno deja libre las manos para operar la herramienta. Sujetar el trabajo con una mano o contra su cuerpo es inestable y puede conllevar a pérdida del control.
- b) No force la herramienta. La herramienta hará su trabajo mejor y de forma más segura a la velocidad a la cual está intencionada.
- c) Use la herramienta adecuada para su aplicación. No utilice herramientas para propósitos distintos a las de las mismas.
- d) No utilice una herramienta si el interruptor de encendido y apagado no funciona. Toda herramienta que no puede ser controlada por el interruptor es peligrosa y debe ser reparada. Reemplace los interruptores defectuosos en un centro de servicio Freud autorizado.
- e) Desconecte el enchufe de la fuente de poder cuando no esté en uso, antes de hacerle servicio y al cambiar accesorios tales como hojas, brocas y cortadores. Estas medidas de seguridad preventivas reducen el riesgo de encender la herramienta por accidente y ocasionar heridas corporales.
- f) Guarde las herramientas que no estén en uso. Las herramientas deben ser guardadas en un lugar seco y alto o bajo llave, fuera del alcance los niños.
- g) Hágale mantenimiento a las herramientas con cuidado. Mantenga las herramientas para cortar afiladas y limpias para un funcionamiento mejor y seguro. Siga las instrucciones al lubricar y cambiar los accesorios. Inspeccione los cables de la herramienta periódicamente. Hágalos reparar por un centro de servicio autorizado de Freud, si están dañados. Inspeccione los cables de extensión regularmente y reemplácelos si están dañados. Mantenga las agarraderas secas, limpias y sin aceite o grasa. Las herramientas con bordes cortantes que son mantenidas de forma adecuada son menos propensas a saltar y son más fáciles de controlar.
- h) Chequee si hay partes dañadas. Antes de continuar utilizando una herramienta, una guarda o cualquier otra parte dañada debe ser inspeccionada cuidadosamente para determinar que funcionará de forma adecuada y ejecutará su función. Revise la alineación de las partes móviles, la fijación de las partes móviles, soporte y otras condiciones que puedan afectar el funcionamiento de la herramienta. Una guarda o cualquier otra parte dañada deber ser reparada adecuadamente o reemplazada por un centro de servicio autorizado de Freud, a menos que no sea indicado así en este manual de instrucciones.
- i) Utilice sólo los accesorios recomendados por el fabricante para su modelo. Accesorios que son adecuados para una herramienta pueden convertirse en un peligro al ser usados en otra.

5. Servicio

- a) El servicio a la herramienta debe ser realizado sólo por un centro de servicio autorizado de Freud. El servicio o mantenimiento realizado por personal no calificado podría ocasionar riesgos de heridas.
- b) Al hacerle servicio a una herramienta, utilice sólo partes de reemplazo idénticas a las originales. Siga las instrucciones en el la Sección de Mantenimiento de este manual. El uso de partes no autorizadas o el no seguir las instrucciones de mantenimiento puede ocasionar riesgos de choque eléctrico o heridas. Ciertos agentes de limpieza tales como gasolina, tetraclorido de carbón, amoníaco, etc., pueden dañar las partes plásticas.

REGLAS DE SEGURIDAD ADICIONALES PARA SIERRAS DE CALAR

1. Sujete la herramienta por las superficies de agarre aisladas. El contacto con un cable con corriente activará las partes de metal expuestas de la herramientas e impactará al operador.
2. Nunca ejecute una operación donde la herramienta de corte pueda entrar en contacto con cables escondidos o su propio cable, tal como cortar en una pared que pueda tener cableado eléctrico.
3. Mantenga las manos fuera del área de corte.No trate de alcanzar debajo del material de corte. La proximidad de la hoja a sus manos está fuera de su vista.

4. Mantenga las manos fuera de la marcha y el soporte de la hoja de la sierra. La hoja recíprocante puede pellizcar sus dedos.
5. Use sólo hojas afiladas en perfectas condiciones y cambie inmediatamente la hoja si se deforma o tiene muescas. Las hojas dobladas pueden romperse fácilmente o saltar hacia atrás.
6. En ningún caso, la herramienta debe ser encendida con la hoja en contacto con el material. Inserte la hoja de la sierra en el material sólo cuando la herramienta haya alcanzado la velocidad deseada. Si la velocidad de la hoja es muy lenta al principio de un corte, el exceso de tensión recaerá en la hoja y la herramienta podría vibrar o potencialmente saltar hacia atrás.
7. Asegúrese de que el plato base está en contacto con el trabajo de forma segura antes de comenzar el corte.
8. No force el alimentador de la sierra. Permita que la herramienta corte a un rango de velocidad moderada.
9. Asegure el material antes de cortarlo. Nunca lo sujete en sus manos o sobre sus piernas. Materiales pequeños o delgados pueden vibrar o doblarse con la hoja y causar la pérdida de control.
10. Asegúrese de que todos los tornillos de ajuste y el soporte de la hoja estén ajustados antes de hacer un corte. Los tornillos de ajuste y soportes flojos pueden ocasionar que la herramienta o la hoja se resbalen resultando en la pérdida del control.
11. Asegúrese que el cable de poder y el cable de extensión estén en la parte trasera de la herramienta durante la operación. Esta práctica disminuye la posibilidad de cortar los cables accidentalmente durante el uso.
12. Evite el contacto de la hoja con la piel, al removerla de la herramienta y use guantes de protección adecuados al agarrar la hoja o los accesorios. Los accesorios pueden estar calientes después del uso.
13. ATENCIÓN: Algunos polvos creados por lijadoras eléctricas, sierras, moledoras, taladros y otras actividades de construcción contienen químicos que causan cáncer, defectos congénitos y otros peligros reproductivos. Algunos ejemplos de estos químicos son:
 - Plomo de las pinturas a base de plomo,
 - Silicio cristalino de los ladrillos y cementos y otros productos de mampostería
 - Arsénico y cromo en la madera tratada químicamente

Su riesgo con estas exposiciones varía dependiendo de cuán a menudo usted haga este tipo de trabajo. Para reducir su exposición a estos químicos: trabaje en un área bien ventilada y trabaje con equipo de protección aprobado tal como las máscaras de polvo especialmente diseñadas para filtrar partículas microscópicas.

AISLAMIENTO DOBLE

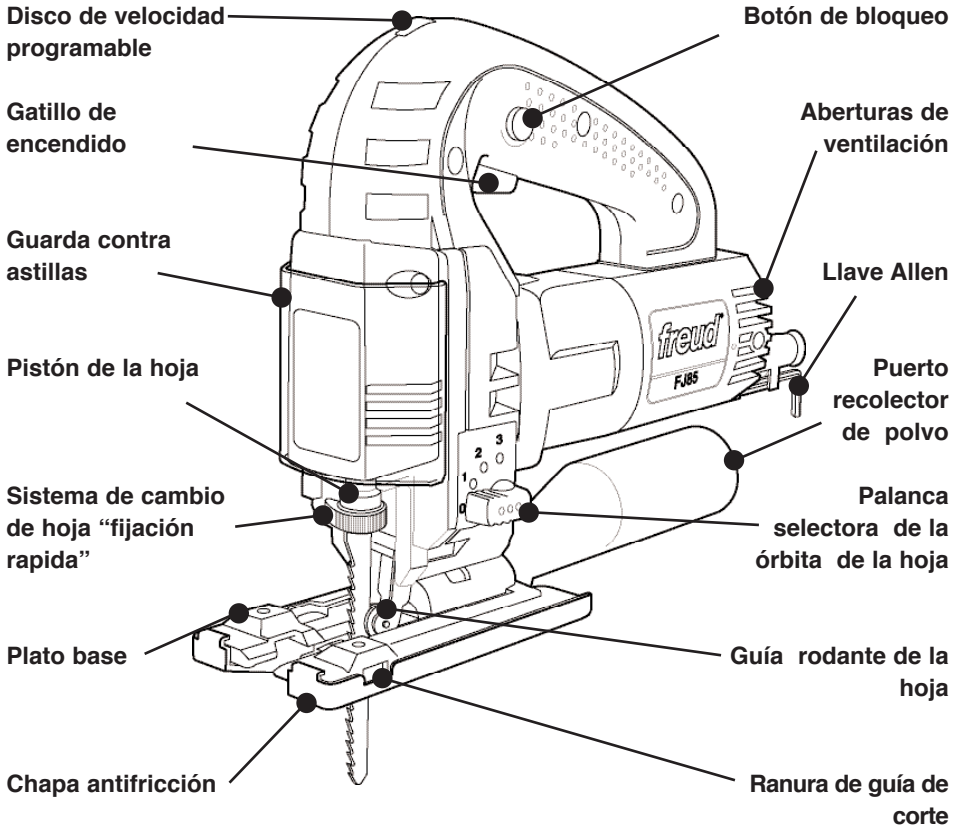
1. Para garantizar una operación segura de esta herramienta, Freud ha adoptado un diseño de aislamiento doble. "Aislamiento doble" significa que dos sistemas de aislamiento, separados físicamente, han sido utilizados para aislar los materiales conductivos de electricidad conectados a la fuente de poder desde el marco exterior, manejado por el operador.

Para mantener el sistema de doble aislamiento efectivo, siga estas precauciones:

- Tenga cuidado de no agujerear el lugar del motor ya que esto podría dañar la eficiencia del sistema de doble aislamiento.
- Sólo Centros de Servicio autorizados de Freud deben armar o desarmar esta herramienta eléctrica, y sólo piezas de reemplazo Freud genuinas deben ser instaladas. Contacte a Freud en el 1-800-334-4107 para encontrar un centro de servicio autorizado de Freud cerca de usted.

DESCRIPCIÓN Y ESPECIFICACIONES

DESCRIPCION FUNCIONAL






ESPECIFICACIONES

Fuente de poder	Fase sencilla, 120V, AC 60Hz
Amperios	6
Vatios	650
Velocidad	500-3000 Golpes/Minuto
Golpe	Longitud 1 pulgada
Corte biselado máximo	45°
Capacidad de corte en madera	2 3/8 pulgadas
Capacidad de corte en acero	1/4 pulgada
Nonferrous Metal Cutting Capacity	3/4 pulgada
Peso	5.4 lbs

SÍMBOLOS

Algunos de los siguientes símbolos pueden ser usados en su herramienta. Por favor estúdielos y aprenda su significado. La interpretación adecuada de estos símbolos le permitirá operar la herramienta mejor y de forma segura.

Símbolo	Nombre	Designación/Explicación
V	Voltios	Voltaje (potencial)
A	Amperios	Corriente
Hz	Hertz	Frecuencia(ciclos por segundo)
W	Vatios	Poder
n _o	Sin velocidad de carga	Velocidad de rotación, sin carga
.../min	Revoluciones o correspondencia por minuto	Revoluciones, golpes, velocidad de superficie, órbitas, etc., por minuto
	Clase II construcción	Designa herramientas de aislamiento doble en construcción
	Corriente alterna	Tipo o característica de una corriente
	Alerta de seguridad	Precauciones que involucran su seguridad

ENSAMBLAJE Y OPERACIÓN

ANTES DE OPERAR

1. Revise la fuente de poder

Asegúrese de que la fuente de poder a ser utilizada se ajusta a los requerimientos de electricidad especificados en la placa nombre de la herramienta. Asegúrese de que el receptáculo utilizado encaja con el enchufe de forma ajustada. El uso de un receptáculo defectuoso puede causar sobrecalentamiento y ocasionar peligro.

2. Revise el área de trabajo

Confirme que el área de trabajo se encuentra bajo las condiciones apropiadas conforme a las precauciones recomendadas en la sección de seguridad de este manual.

3. Antes de enchufar la herramienta

Asegúrese de que el interruptor de poder esté en la posición de apagado para prevenir que la herramienta se encienda accidentalmente lo cual podría causar heridas serias.

4. Instalación de la hoja

- Desenchufe la herramienta.
- Deslice la guarda de astillas hacia arriba para permitir el acceso a la perilla de "fijación rápida". – Fig 1
- Gire la perilla de fijación rápida hasta que pare– Fig 2
- Inserte la hoja hacia arriba hasta que pare y asegúrese de que el lado suave de la hoja descansa contra la guía rodante de la hoja.– Fig 2.
- Suelte la perilla de sujeción rápida.- Fig. 3.
- Revise que la hoja esté sujeta de forma segura halándola hacia abajo.
- Deslice la guarda de astillas hacia abajo hasta que pare– Fig 4.

Fig. 1

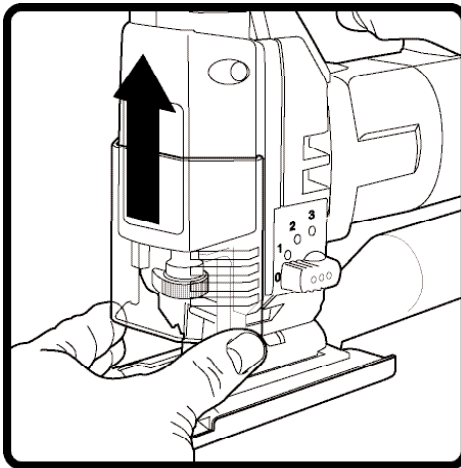


Fig. 2

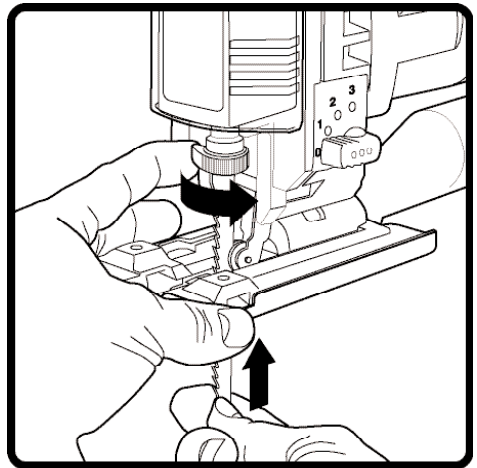


Fig. 3

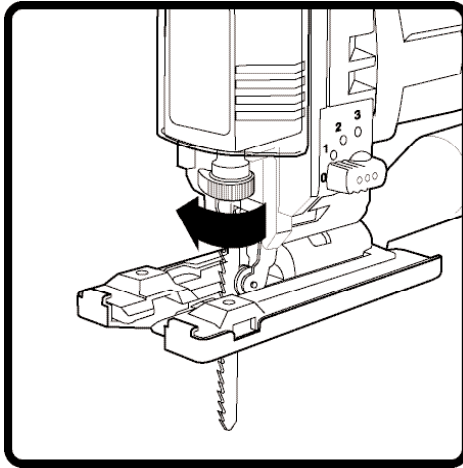
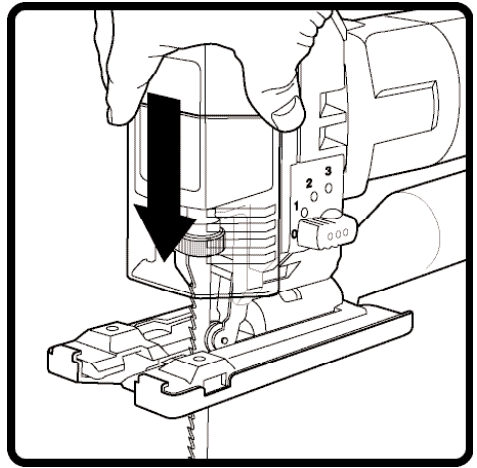


Fig. 4



5. Ajuste de la velocidad de la hoja

a) Interruptor del gatillo de velocidad variable

Esta herramienta está equipada con un interruptor de velocidad variable. La herramienta puede ser encendida o apagada apretando o soltando el gatillo. La velocidad puede ser ajustada del mínimo al máximo en el disco de velocidad preajustado mediante la presión que usted ponga en el dedo. Mayor presión en el gatillo resultará en más velocidad de la hoja. Menor presión en el gatillo resultará en menos velocidad de la hoja.

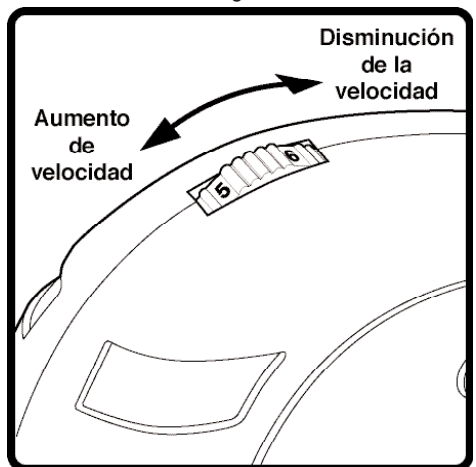
Fig. 5

b) Programe el disco de ajuste de velocidad

Esta característica le permite programar la velocidad máxima al rotar el disco en la agarradera superior de la sierra a una posición más alta o más baja. La herramienta nunca funcionará a una velocidad más alta que la posición máxima seleccionada en el disco de velocidad – Vea Fig 5.

c) Control electrónico de crucero

Esta herramienta está equipada con un módulo electrónico de respuesta taquimétrica que garantiza una velocidad constante de la hoja bajo carga. Esta característica permite a la sierra cortar a un rango de velocidad constante y mantener una calidad consistente incluso si la carga en la herramienta disminuye o aumenta.



d) Botón de bloqueo.

Este botón está situado en la parte lateral de la agarradera de la sierra encima del gatillo y permite operar la sierra de forma continua, a la velocidad establecida en el disco de ajuste de la velocidad, sin apretar el gatillo. Para bloquear el gatillo, apriete el gatillo, oprima el botón y suelte el gatillo– Fig. 6. Para desbloquear el gatillo, apriete el gatillo y suéltelo sin presionar el botón– Fig. 7.

Fig. 6

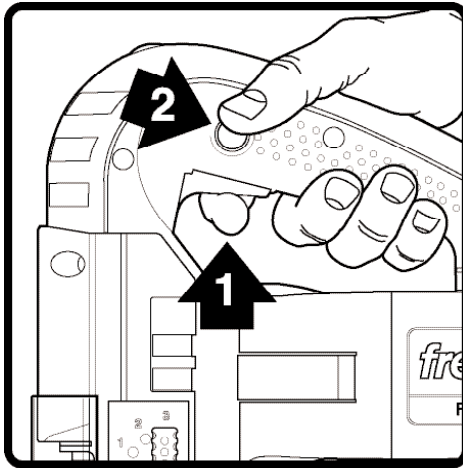
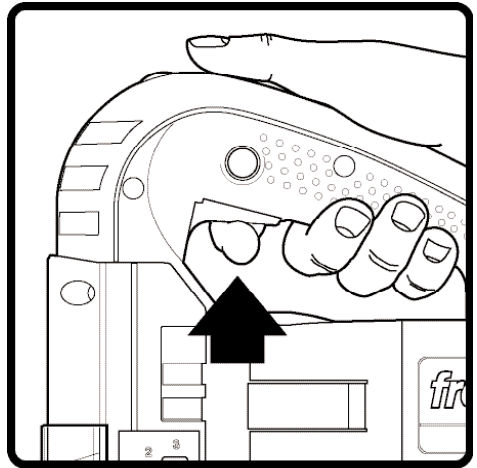


Fig. 7



Importante: Asegúrese de que el interruptor y el botón de bloqueo no estén activados antes de conectar la herramienta.

6. Ajuste de la acción orbital

- a) Esta herramienta está equipada con acción orbital, lo cual hace mover la hoja de adelante hacia atrás y de arriba hacia abajo. Esta característica le permite maximizar la eficiencia en el corte en el material a cortar – Fig 8 y 9.

Fig. 8

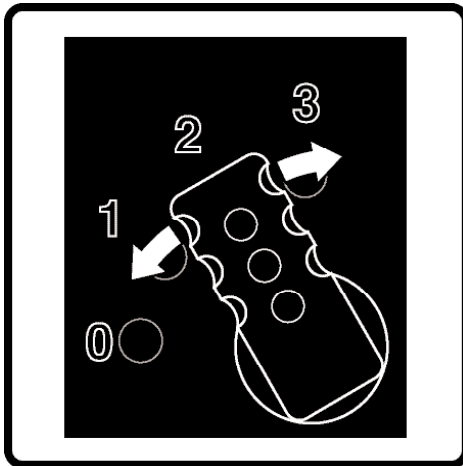
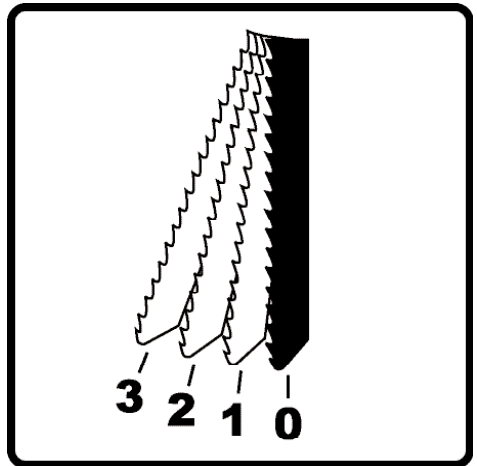


Fig. 9



- b) Use el siguiente diagrama para ayudarlo a determinar la posición orbital adecuada para su aplicación. El diagrama es sólo una guía y pruebas de corte en material de sobra deben ser realizadas antes para determinar la posición adecuada.

Posición 0	Buena para metales, plásticos y el mejor acabado en madera y productos de madera, tales como plywood, chip board, etc. Bueno para trabajo de corrido.
Posición 2	Corte de buena calidad en madera y productos de madera donde la velocidad de corte es más importante que la calidad del corte.
Posición 3	Buena calidad con alta velocidad de corte madera y productos de madera.
Posición 3	Velocidad más rápida con cortes burdos en madera y productos de madera donde la velocidad es más importante que la calidad del corte.

7. Ajuste del ángulo del plato base

El plato base puede inclinarse para producir ángulos de corte de hasta 45° - Fig. 10.

Para ajustar el plato base, desenchufe la herramienta y afloje el tornillo en la parte inferior de la sierra con la llave allen incluida— Fig. 11.

Coloque la base tan lejos como sea posible para dar la inclinación máxima de la hoja – Fig. 12.

Coloque la base en el ángulo de corte deseado y apriete el tornillo en la parte inferior de la sierra— Fig. 13 y 14.

Nota: La base debe ser colocada tan lejos como sea posible para permitir una inclinación ilimitada de la hoja.

Fig. 10

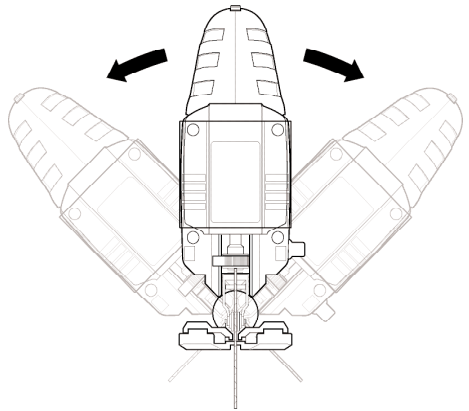


Fig. 11

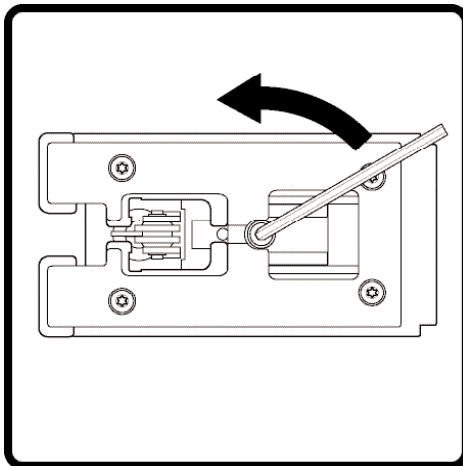


Fig. 12

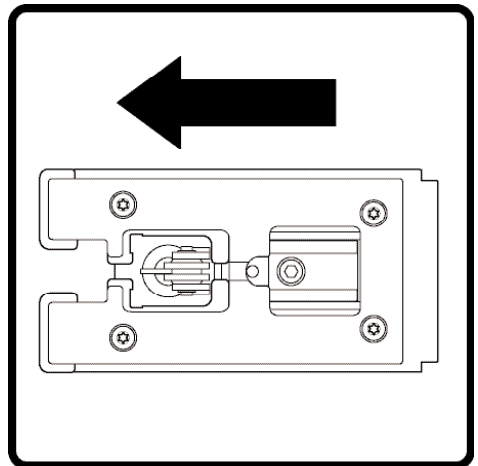


Fig. 13

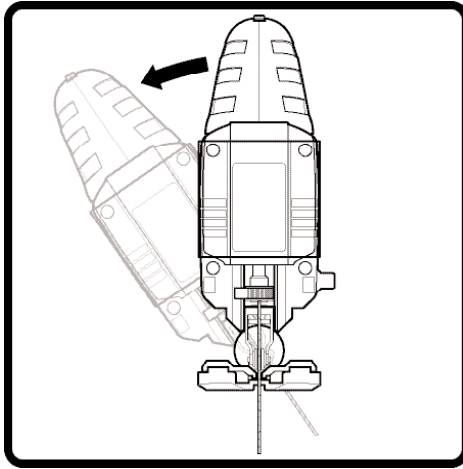
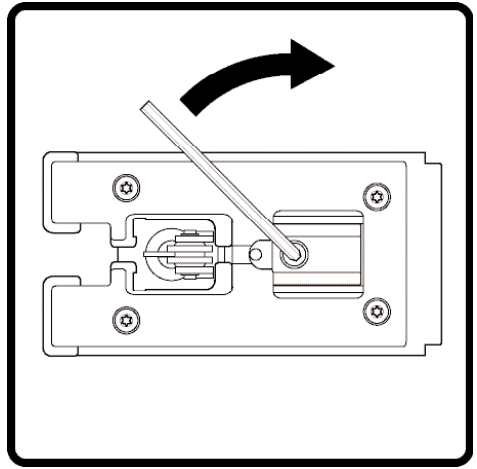


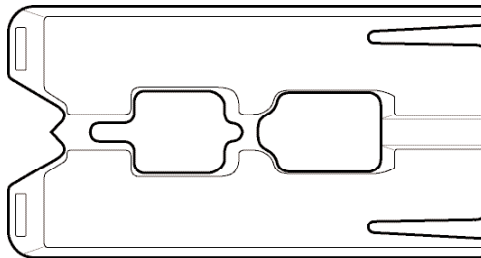
Fig. 14



8. Chapa antifricción

Esta herramienta viene equipada con una chapa antifricción removible, en el plato base, para ayudarle a proteger sus piezas de trabajo delicadas contra rayones - Fig. 15.

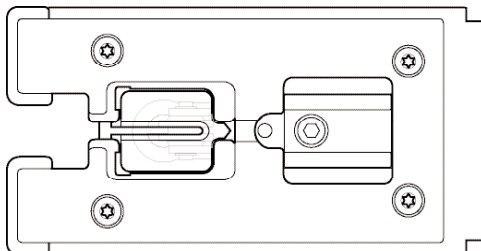
Fig. 15



9. Inserto antiastillas

Para minimizar el astillado del tope de la superficie del material cortado, desenchufe la herramienta, coloque el inserto antiastillas en el espacio del plato base y empújelo completamente -Fig 16.

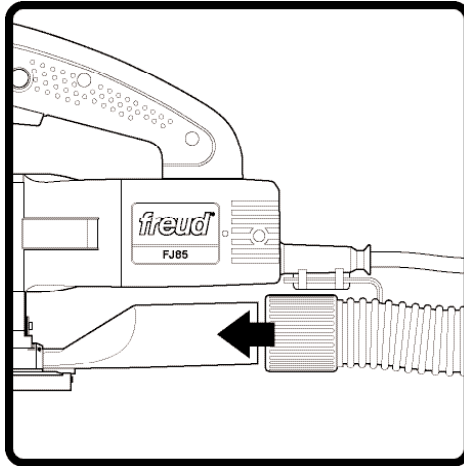
Fig. 16



10.Extracción del polvo

Esta herramienta viene con un puerto recolector de polvo. Para usar el recolector de polvo simplemente conecte una aspiradora (vendida por separado) al final del recolector de polvo— Fig. 17.

Fig. 17

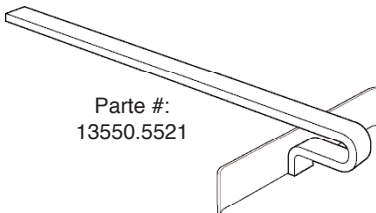


CORTE

PRECAUCIÓN: Al operar la herramienta, asegúrese de que el plato base mantiene contacto permanente con la superficie del material que usted está cortando. Si el plato base se separa del material durante el funcionamiento puede ocasionar que la hoja se rompa o que la sierra salte hacia atrás ocasionando la posibilidad de una herida.

1. Corte en línea recta

Cuando corte en línea recta, use un borde derecho para dibujar una línea de cálculo y deslice la sierra a lo largo de esta línea. Una guía opcional (parte # 13550.5521) puede ser utilizada para cortar líneas rectas precisas y paralelas al borde del material:

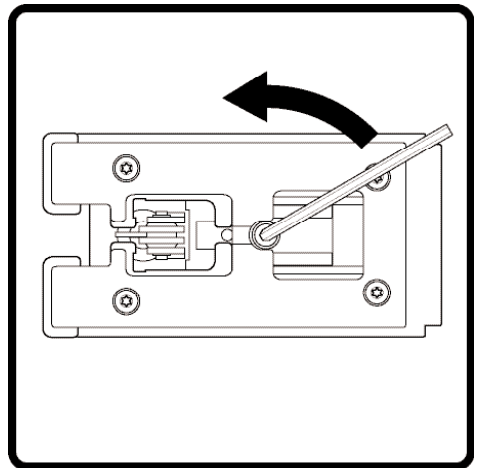


Parte #:
13550.5521

Para insertar la guía:

- Desenchufe la sierra.
- Desajuste el tornillo en el plato base utilizando la llave allen incluida en la sierra. —Fig 18.

Fig. 18



- c) Mueva la base hacia adelante por completo y apriete el tornillo en el plato base the base. - Fig 19.
 d) Inserte la guía pasándola a través de las guías en la parte superior del plato base y apriete el tornillo de la guía para asegurarla en su lugar. – Fig. 20.

2. Corte de líneas curvas

Cuando corte líneas curvas, reduzca la velocidad de alimentación de materiales de la sierra. Si la sierra es alimentada muy rápidamente la hoja puede atascarse o romperse.

Fig. 19

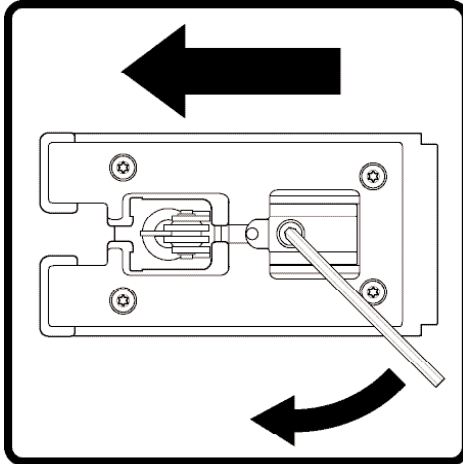
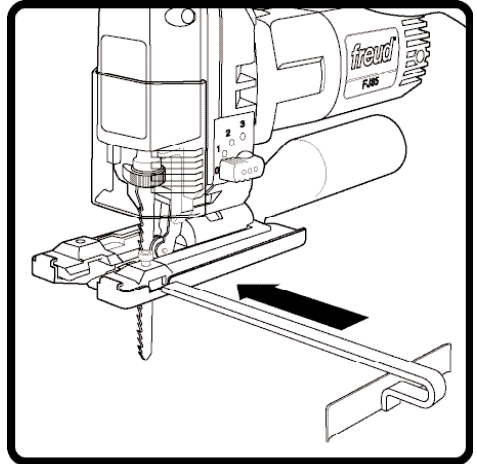


Fig. 20



3. Corte de bolsillo

El corte de bolsillo es un método para hacer un corte interno directamente en una tabla de madera, sin realizar un agujero piloto. Para hacer un corte de bolsillo, primero mida y marque claramente el material a cortar. Asegúrese de que el plato base de la sierra esté extendido hacia adelante. Incline la sierra hacia adelante hasta que el frente del plato base descansa firmemente en la madera y la hoja permanezca clara en la madera en su golpeo más fuerte. – Fig 21. Luego, voltee la sierra y déjela alcanzar su máxima velocidad. Mientras sujeta la sierra firmemente, lentamente, baje la hoja en el material hasta que la hoja alcance su profundidad completa y el plato base esté descansando planamente en la superficie del material – Fig 22. Mantenga la base plana contra el material y empiece a hacer el corte.

4. Corte angular

El plato base puede inclinarse hasta 45° para producir cortes angulares. Por favor vaya a la sección anterior de este manual para instrucciones acerca de cómo hacer ajustes en el ángulo del plato base.

5. Corte en madera

Asegúrese de que el material esté firmemente asegurado antes de que usted comience a cortar. Nunca encienda la sierra si la hoja está en contacto con el material. Esto podría atascar el motor o hacer que la sierra salte hacia atrás y potencialmente ocasionar una herida. Para hacer el corte, coloque el frente del plato base en el material, encienda la sierra y deje que la hoja alcance su velocidad máxima. Luego, presione la hoja hacia la madera asegurándose de que el plato base permanece plano y alineado con el material. Deje que la sierra corte a su propio rango de velocidad y no force la herramienta a través de la madera. Cuando el corte esté completo, apague la sierra y deje que la hoja pare por completo antes de levantar la sierra del material.

Fig. 21

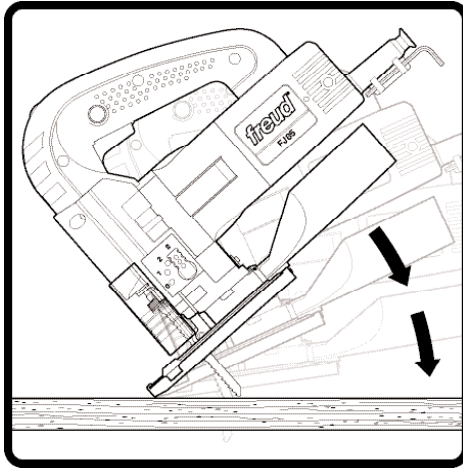
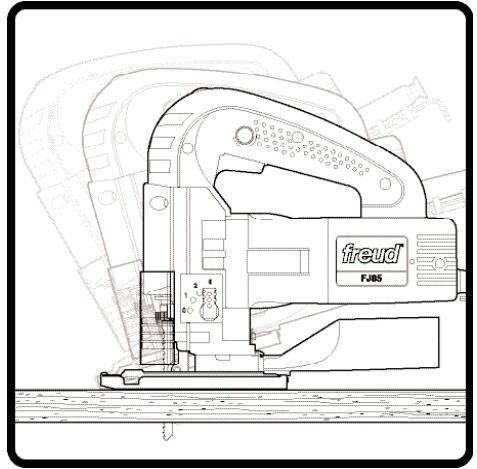


Fig. 22



6. Corte en metal

Asegúrese de usar la hoja adecuada para el metal que está cortando. Use una hoja delgada cuando corte metales férricos (metales con alto contenido de hierro). Utilice una hoja más gruesa para cortar metales no férricos (metales sin ningún contenido de hierro). También, es recomendable usar un lubricante en la hoja tal como aceite para ejes o agua jabonoso, al cortar en metales, para mantener la hoja fría y extender su vida útil. Use una posición de alta velocidad al cortar metales suaves (aluminio, cobre, latón, acero suave, tuberías galvanizadas, etc.) y utilice una posición de baja velocidad para cortar metales duros como hierro vaciado, plásticos, baldosas, y Formica®. Al cortar hojas de metal delgadas, es recomendable sujetar madera o plywood en la parte de abajo de la hoja de metal para asegurar un corte limpio y prevenir que la hoja de metal vibre o se rompa.

7. Selección de la hoja

Asegúrese de usar la hoja adecuada para el metal que está cortando y haga una prueba de corte en un pedazo de material antes de cortar.

- La mayoría de las sierras de calar tienen dientes que apuntan hacia arriba. Esta configuración de los dientes produce un corte limpio en la parte de abajo del material. Además, las hojas con dientes hacia arriba ayudan a halar la sierra a través del material y a reducir la vibración.
- Algunas hojas tienen dientes que apuntan hacia abajo y son conocidas como hojas de dientes reversos. Estas hojas producen un corte limpio en la parte superior del material y son útiles en aplicaciones tales como el corte del hueco para un lavamanos en un tope previamente instalado. Recuerde: cuando utilice una hoja con dientes reversos usted debe mantener una presión constante hacia abajo en la sierra puesto que los dientes no ayudarán a empujar la sierra a través del material.
- Algunas sierras tienen hojas con dientes rectos. Estas hojas proveen un corte libre de astillas en ambos lados del material. La presión hacia abajo debe ser aplicada consistentemente al usar estas hojas.

MANTENIMIENTO E INSPECCIÓN

Servicio

Se recomienda que todo servicio hecho a su herramienta Freud sea realizado por un centro de servicio autorizado de Freud. El mantenimiento realizado por personal de servicio no autorizado puede resultar en componentes internos mal colocados o ensamblados y ocasionar un riesgo de falla de la herramienta y heridas corporales al usuario.

Lubricación de la herramienta

Todas las herramientas eléctricas necesitan cuidado y atención. Cada segundo cambio de cepillos, recomendamos dejar la herramienta en un centro de servicio autorizado de Freud para una limpieza general y lubricación del engranaje.

Rodamientos

Recomendamos que cada segundo cambio de cepillos, los rodamientos sean reemplazados por un técnico de servicio autorizado de Freud. Los rodamientos que se vuelven muy ruidosos deben ser reemplazados inmediatamente para evitar sobrecalentamiento o una falla en el motor.

Cepillo

Utilice sólo los cepillos especificados para su herramienta Freud. Los cepillos deben ser chequeados por desgaste cada 200 horas de servicio.

Conmutadores

Los conmutadores que se hayan rayado o pandeado deben ser reemplazados por un técnico en reparación autorizado por Freud. Nunca lije el conmutador con papel de lija.

Inspeccione las hojas

Inspeccione las hojas de su sierra de calar regularmente para asegurarse de que están afiladas. Las hojas no afiladas ocasionarán que la herramienta funcione menos eficientemente y pueden causar fallas en el motor.

Inspeccione los tornillos

Inspeccione los tornillos de su herramienta eléctrica regularmente y asegúrese de que estén ajustados correctamente. Los tornillos flojos deben ser ajustados inmediatamente.

ACCESORIOS

Para ubicar un Centro de Servicio Freud cerca de usted llame al: 1-800-334-4107

Accesorios estándar

- 3 hojas de sierra
- Inserto antiastillas
- Chapa de protección antifricción
- Puerto recolector d epolvo

Accesorios opcionales

- Guía del borde - Número de Parte 13550.5521

GARANTÍA

GARANTÍA LIMITADA DE LAS HERRAMIENTAS ELÉCTRICAS FREUD

90 DÍAS DE GARANTÍA PARA LA DEVOLUCIÓN DE SU DINERO

Si durante los primeros 90 días de la compra original no estuviese totalmente satisfecho con su herramienta eléctrica Freud, puede devolverla (en su empaque original con todos sus accesorios) al establecimiento donde la compró con el comprobante de pago (p. ej.: la factura fechada) para que le reembolsen todo su dinero.

GARANTÍA LIMITADA DE CINCO AÑOS DE LAS HERRAMIENTAS ELÉCTRICAS DE FREUD

Freud garantiza al comprador original que cada nueva herramienta eléctrica de Freud contra defectos de material y de mano de obra por un periodo de cinco (5) años desde la fecha de compra. Cuando requiera servicio cubierto por esta garantía, deberá mostrar el comprobante de compra (factura). Si la herramienta eléctrica fallase dentro de los primeros noventa (90) días de la compra, a OPCIÓN DEL CLIENTE, se reparará o sustituirá de acuerdo a las pautas a continuación. De ahí en adelante, previa verificación de la falla o del mal funcionamiento, Freud, a su propio opción, la reparará o cambiará de acuerdo con las pautas que se indican a continuación. Esta garantía no cubre los daños derivados de reparaciones o intentos de reparaciones por personal no autorizado por Freud, del desgaste debido al uso normal, abuso, falta de mantenimiento o accidentes.

PAUTAS A SEGUIR PARA LA GARANTÍA DE FREUD

1. En caso de falla o mal funcionamiento, devuelva el producto, empaquetado correctamente y con franqueo pagado, a Freud a la dirección que aparece más abajo o a un centro de servicio autorizado por Freud. Para consultas técnicas, instrucciones para la devolución o para una lista de servicios autorizados comuníquese con nosotros (EE.UU.) 1-800-334-4107 (CANADÁ) 1-800-263-7016.
2. Todas las garantías implícitas de las herramientas eléctricas de Freud (INCLUYENDO LAS GARANTÍAS DE COMERCIABILIDAD Y DE APLICABILIDAD PARA USOS PARTICULARES) se limitan al periodo de cinco años de la fecha de compra. Algunos estados no permiten restricciones a la duración de las garantías implícitas, por lo tanto, las limitaciones referidas podrían no aplicarse a usted.
3. Los reclamos cubiertos por la garantía estarán limitados a la reparación o reemplazo como se indica en la Garantía Limitada para Herramientas Eléctricas de Freud, y en ningún caso Freud será responsable en forma directa o indirecta por daños incidentales o consecuentes, costos ni gastos. LOS DAÑOS INCIDENTALES Y CONSECUENTES ESTÁN COMPLETAMENTE EXCLUIDOS DE TODAS LAS GARANTÍAS. Algunos Estados no permiten excluir los daños incidentales ni consecuentes, por lo tanto las limitaciones descritas pueden no aplicarse en ciertos casos.
4. Las garantías de Freud le otorgan derechos legales específicos y usted también podría tener otros derechos que varían de un Estado a otro.
5. No se podrá considerar incumplimiento de la garantía en su propósito esencial mientras Freud esté dispuesto a reparar o reemplazar sus productos defectuosos.
6. Freud no asume responsabilidad civil alguna por defectos o daños causados por abuso o mal uso de cualquier producto ni por su servicio no autorizado. El producto debe usarse para el propósito recomendado y no debe someterse a modificaciones ni cambios. El desgaste normal no está cubierto por garantía alguna de Freud.
7. Cualquier acción legal por incumplimiento de garantía debe iniciarse dentro del periodo de un año de surgido el reclamo.
8. Todas las garantías están expresamente limitadas al comprador original del producto. Todas las garantías y otros derechos del comprador se regirán por las leyes del estado de Carolina del Norte sin consideración a principios legales.

Para obtener servicios bajo la Garantía Limitada de las Herramientas Eléctricas Freud, comuníquese con un centro de servicio autorizado, o con:

Freud America, Inc.
 (Attn: Technical Service)
 218 Feld Avenue
 High Point, North Carolina 27263
 1-800-334-4107

Freud Canada
 (Attn: Technical Service)
 7450 Pacific Circle
 Mississauga, Ontario L5T 2A3
 Canadá
 1-800-263-7016

(c) Copyright 2005, todos los derechos reservados por Freud America, Inc.

freud[®]

**To find out more about Freud products
or to order a catalog visit:**

www.freudtools.com

**Freud America, Inc.
In the U.S. dial: 1-800-472-7307
In Canada dial: 1-800-263-7016**

©2005 Freud America, Inc. No portion of this manual may be
reprinted without the written consent of Freud America, Inc.

Free Manuals Download Website

<http://myh66.com>

<http://usermanuals.us>

<http://www.somanuals.com>

<http://www.4manuals.cc>

<http://www.manual-lib.com>

<http://www.404manual.com>

<http://www.luxmanual.com>

<http://aubethermostatmanual.com>

Golf course search by state

<http://golfingnear.com>

Email search by domain

<http://emailbydomain.com>

Auto manuals search

<http://auto.somanuals.com>

TV manuals search

<http://tv.somanuals.com>