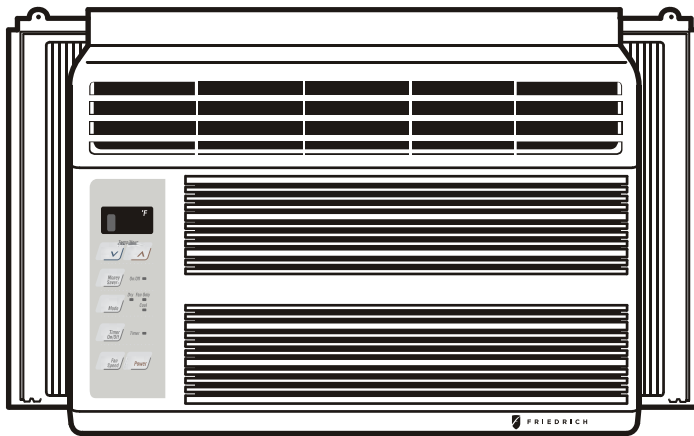




F R I E D R I C H

Room Air Conditioner Installation and Operation Manual



Chill

115 Volts • CP05

ENGLISH

FRANÇAIS

ESPAÑOL

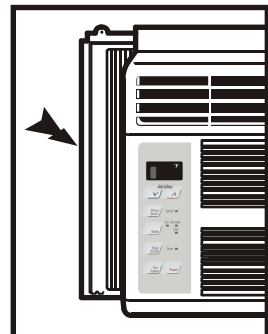
Registering Your Room Air Conditioner

Model information can be found on the name plate located on the side of the unit near the control panel. Please complete and mail the owner registration card furnished with this product or register on-line at www.friedrich.com (USA only). For your future convenience, record the model information here.

MODEL NUMBER

SERIAL NUMBER

PURCHASE DATE



920-152-00 (10/10)



Congratulations! Thank you for choosing Friedrich.

Your Friedrich unit is designed for maximum comfort and quietness.

Table of Contents

Introduction	2
Safety Precautions	3
How to operate your Friedrich	5
Features and Installation	7
Installation Instructions	8
Troubleshooting Tips	12
Warranty	13

Introduction

Before Operating Your Unit

Make sure the wiring is adequate for your unit.

If you have fuses, they should be of the time delay type. Before you install or relocate this unit, be sure that the amperage rating of the circuit breaker or time delay fuse does not exceed the amp rating listed in figure 1.

DO NOT use an extension cord.

The cord provided will carry the proper amount of electrical power to the unit; an extension cord will not.

Make sure that the receptacle is compatible with the wall plug provided.

This insures proper grounding. If you have a two-prong receptacle you will need to have the circuit replaced by a certified electrician with a grounded circuit that meets all national and local codes and ordinances. You must use the three-prong plug furnished with the air conditioner.


MODEL	CIRCUIT RATING OR TIME DELAY FUSE		PLUG FACE	
	AMP	VOLT	NEMA NO.	
CP05	15	125	5-15P	

Figure 1

For the Best Cooling Performance and Energy Efficiency

Keep the filter clean

Make sure that your air conditioner is always in top performing condition by cleaning the filter regularly. Instructions for removing and cleaning the filter can be found on page 6.

Provide good airflow

Make sure that the airflow into and out of the unit is unobstructed. (both indoors and outdoors)

Maximum airflow is critical for peak performance. Your air conditioner blows air out of the top of the unit and takes in air at the bottom of the unit.

Unit Placement

If your air conditioner can be placed in a window or a wall that is shaded by a tree or another building, the unit will operate even more efficiently. Using drapes or blinds on the sunny side of the dwelling will also add to your unit's efficiency.



Insulation

Good insulation will be a big help in maintaining desirable comfort levels. Doors should have weather stripping. Be sure to caulk around doors and windows.



Safety Precautions

To prevent injury and property damage, follow these instructions.

■ Incorrect operation due to ignoring instructions can cause harm or damage. The seriousness is classified by the following indications.

	WARNING	This symbol indicates the possibility of death or serious injury.
	CAUTION	This symbol indicates the possibility of injury or damage to properties only.

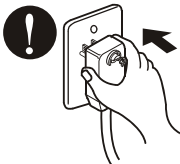
■ Meanings of symbols used in this manual are as shown below.

	Never Do This
	Always Do This

 **WARNING**

Plug in the power plug properly.

- Otherwise, it will cause electric shock or fire due to heat generation.



Do not operate or stop the unit by inserting or pulling out the power plug.

- It will cause electric shock or fire due to heat generation.



Do not damage or use an unspecified power cord.

- It will cause electric shock or fire.
- If the power cord is damaged, it must be replaced by the manufacturer or a Friedrich-certified service agent.



Do not modify power cord length.

- It will cause electric shock or fire due to heat generation.



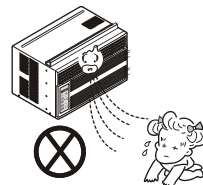
Do not operate with wet hands or in damp environment.

- It will cause electric shock.



Do not direct air flow directly at room occupants.

- This could lead to health problems.



For inner cleaning, contact an Authorized Service Center or a dealer. Do not use harsh detergent that causes corrosion or damage on the unit.

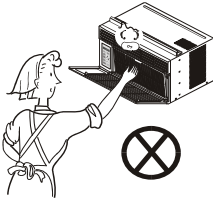
- Harsh detergent may also cause failure of product, fire, or electronic shock.



CAUTION

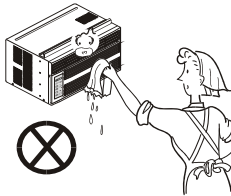
When the air filter is to be removed, do not touch the metal parts of the unit.

- They are sharp and may cause an injury.



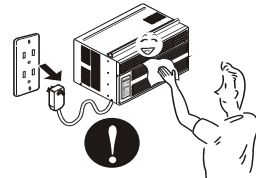
Do not clean the air conditioner with water.

- Water may enter the unit and degrade the insulation. It may cause an electric shock.



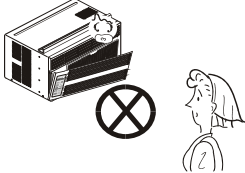
When the unit is to be cleaned, switch the unit off, and unplug it.

- Since the fan rotates at high speed during operation, it may cause an injury.



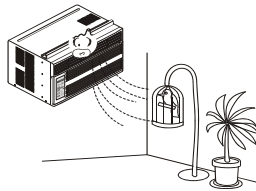
Do not operate the unit without the air filter or when the front intake grille has been removed.

- It could cause dust to accumulate on the heat exchanger.



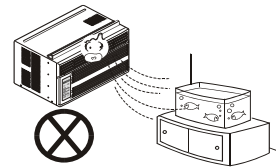
Do not put a pet or house plant where it will be exposed to direct air flow.

- This could injure the pets or plants.



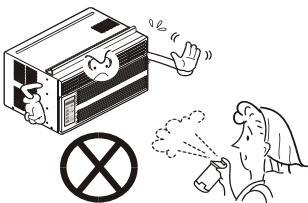
Do not use for special purposes.

- Do not use this air conditioner to preserve precision devices, food, pets, plants, and art objects. It may cause deterioration of quality, etc.



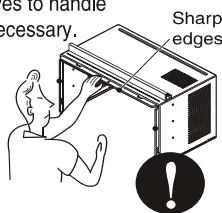
Do not apply an insecticide or flammable spray.

- It may cause a fire or deformation of the cabinet.



SHARP EDGES!
The edges of the cabinet can be SHARP!

- Use caution when handling the case. Grip it firmly and do not allow it to slip while holding it.
- Use heavy gloves to handle the cabinet if necessary.
- DO NOT allow the cabinet to slide against your skin!



If the liquid from the batteries gets onto your skin or clothes, wash it well with clean water. Do not use the remote if the batteries have leaked.

- The chemicals in batteries could cause burns or other health hazards.



If you eat the liquid from the batteries, brush your teeth and see doctor. Do not use the remote if the batteries have leaked.

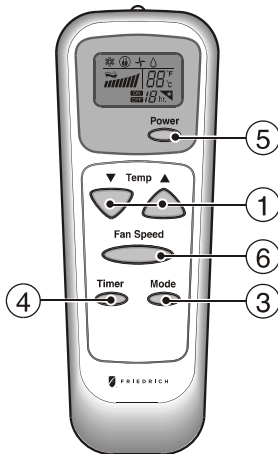
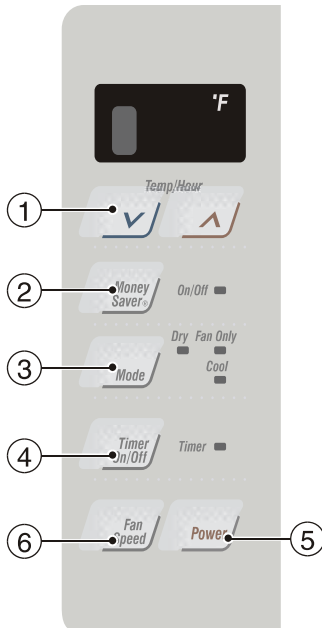
- The chemicals in batteries could cause burns or other health hazards.



How to operate your Friedrich

The controls will look like the following.

Control and Remote Control Operations



① TEMPERATURE SETTING

- These buttons control the temperature of the room. The temperature can be set within a range of 60°F to 86°F, in increments of 1°F.

② MONEY SAVER

- The fan stops when the compressor stops cooling.
- Approximately every 3 minutes the fan will turn on and sample the room air to determine if more cooling is needed.

③ OPERATION MODE SELECTOR

- Everytime you push this button, it will rotate between the COOL, FAN and DRY modes.(select Dry mode for dry operation).

④ ON/OFF TIMER

- ON-If unit is off, use Timer to set number of hours before unit starts.
- Push Timer button to advance setting from 1hr - 2hrs - 24hrs maximum.

OFF - You will usually use shut-off time while you sleep.

- If unit is running, use Timer to set number of hours until shut-off.
- For your sleeping comfort, once Time is set, the temperature setting will rise 2°F after 30 min, and once again after another 30min.
- Push Timer button to advance setting from 1 hr - 2 hrs.... 24hrs maximum.

⑤ POWER

- To turn the unit ON, push the button. To turn the unit OFF, push the button again.
- This button takes priority over all other buttons.
- When you first turn it on, the unit is on the High Cool mode and the temperature is set at 72°F.

⑥ FAN SPEED

- Everytime you push this button it will rotate between the following fan speeds:
High (F3) → Low(F1) → Medium (F2) → High (F3)

How to Insert Batteries

1. Remove the cover from the back of the remote control.
2. Insert two batteries.
 - Be sure that the (+) and (-) directions are correct.
 - Be sure that both batteries are new.
3. Re-attach the cover.



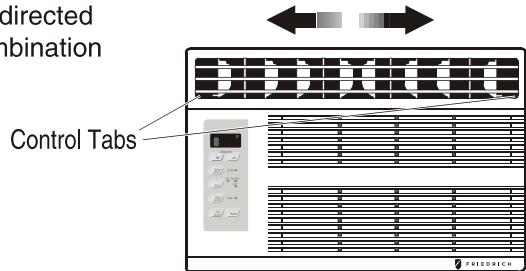
- Do not use rechargeable batteries. Such batteries differ from standard dry cells in shape, dimensions, and performance.
- Remove the batteries from the remote control if the air conditioner is not going to be used for an extended length of time.

Additional controls and important information.

Air Direction

• ADJUSTING THE AIR DIRECTION USING THE HORIZONTAL AIR-DEFLECTOR CONTROL

Using the control tabs, the air flow can be directed to the left, right, straight ahead, or any combination of these directions.



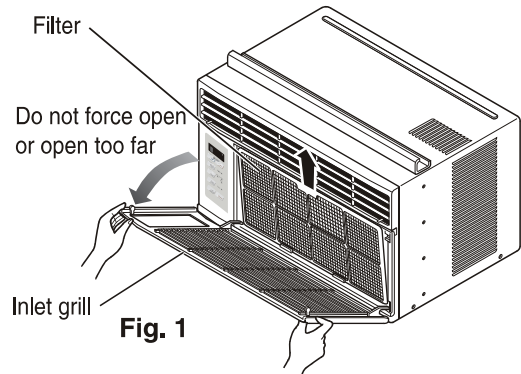
Care and Maintenance

TURN THE AIR CONDITIONER OFF AND REMOVE THE PLUG FROM THE POWER OUTLET.

• TO CLEAN FILTER

The air filter will become dirty as it removes dust from the inside air. It should be washed at least every 2 weeks. If the air filter remains full of dust, the air flow will decrease and the cooling capacity will be reduced, possibly damaging the unit.

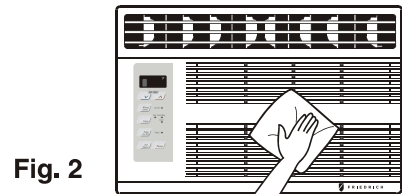
1. Pull the inlet grille forward and pull out the air filter. (Fig. 1)
2. Wash the air filter in warm water. Be sure to completely dry the filter before placing it back into the unit.



• CLEANING THE AIR CONDITIONER

The front grille and inlet grille may be wiped with a cloth dampened in a mild detergent and lukewarm water solution. (Fig. 2)

The cabinet may be washed with mild soap or detergent and lukewarm water.



To ensure continued peak efficiency, the outdoor coil (condensor coil) should be checked periodically and cleaned if clogged with soot or dirt from the atmosphere.

Consult a certified Friedrich service agent for more information.

• HOW TO REMOVE THE FRONT GRILLE

1. Pull the inlet grille forward.
2. Remove the screw securing the Front Grille. (Fig. 3)
3. Push the grille up from the bottom and pull the top of the grille away from the case to lift the top tabs out of their slots. (Fig. 4)
4. Carefully position the grille, bottom first, and snap back into place.
5. Reposition the screw that secures the front grille and replace the knobs.

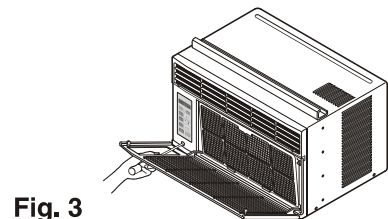
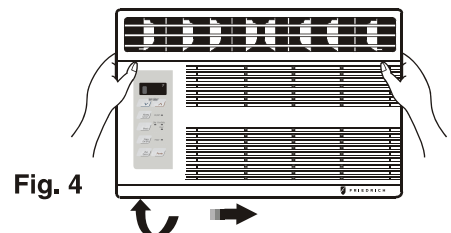


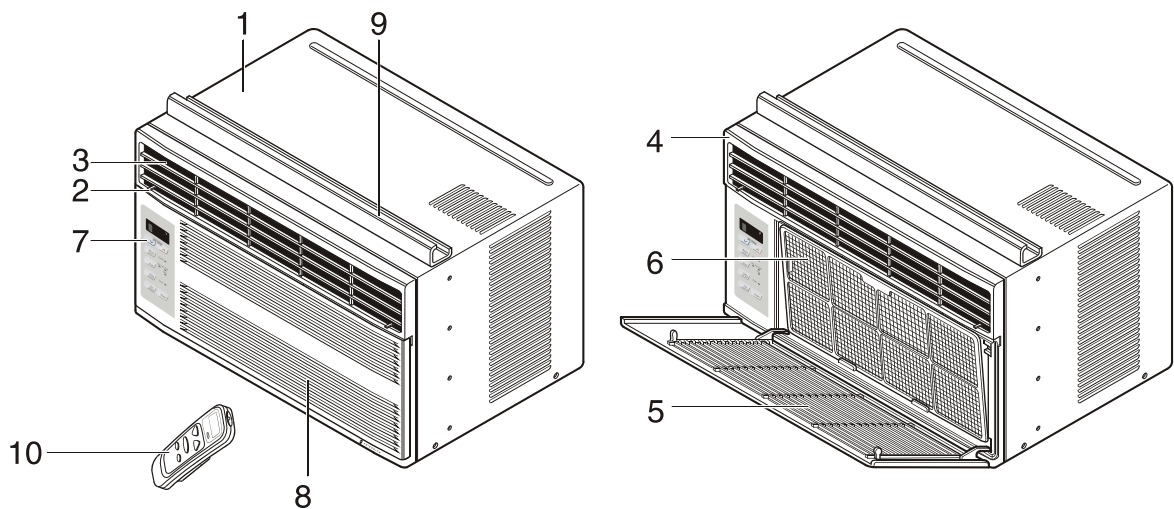
Fig. 3



Features and Installation

Learning the key components will help you properly install the unit.

Features



- 1. CABINET
- 2. HORIZONTAL AIR DEFLECTOR
- 3. COOL AIR DISCHARGE
- 4. FRONT GRILLE
- 5. INLET GRILLE

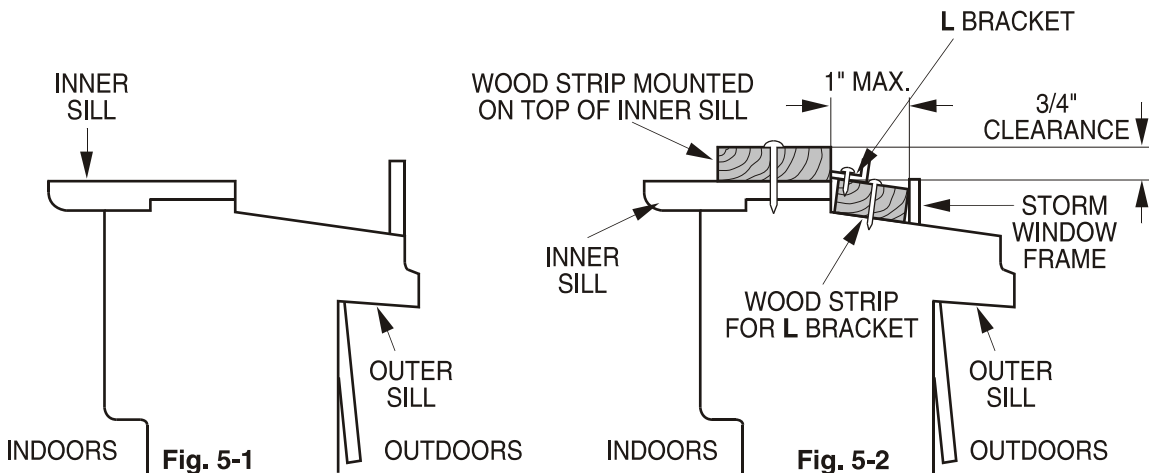
- 6. AIR FILTER
- 7. CONTROL BOARD
- 8. AIR INTAKE
- 9. UPPER GUIDE
- 10. REMOTE CONTROL

Installation Instructions

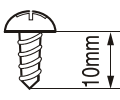
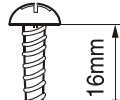
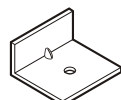
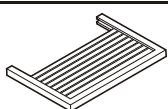
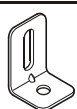
Window Requirements

NOTE: All supporting parts should be firmly secured to wood, or metal.

1. This unit is designed for installation in standard double hung windows with actual opening widths of 22" to 36". The upper and lower sash must open sufficiently to allow a clear vertical opening of 14" from the bottom of the sash to the window sill.
2. If storm window presents interference, fasten a 2" wide wood strip (OUTER SILL) to the inner window sill across the full width of the sill. The wood strip should be thick enough to raise the height of the window sill so that the unit can be installed without interference by the storm window frame. See Fig. 5-2. Top of wood strip should be approximately 3/4" higher than the storm window frame (STORM WINDOW FRAME) or wood strip (OUTDOORS) to help condensation to drain properly to the outside.
3. Install a second wood strip (approximately 6" long by 1 1/2" wide and same thickness as first strip) in the center of the outer sill flush against the back off the inner sill. This will raise the L bracket as shown Fig. 5-2.
4. If the distance between STORM WINDOW FRAME and WOOD STRIP MOUNTED ON TOP OF INNER SILL is more than 1", two of wood strip are not necessary.



Installation

HARDWARE			
TYPE A: 11EA (SHORT SCREW)	TYPE B: 5EA (WOOD SCREW)	TYPE C: 3EA (L BRACKET)	
			
TYPE D: 1EA (SEAL STRIP)	TYPE E: 1EA (SASH SEAL)	TYPE F: 2EA (GUIDE PANEL)	TYPE G: 1EA (SUPPORT BRACKET)
(Adhesive backed)	(Not adhesive backed)		

A. BEFORE INSTALLATION

1. Insert the guide panels into the guides of the air conditioner. Fasten the curtains to the unit with screws (TYPE A) as shown Fig. 6.
2. Cut the adhesive-backed seal strip (TYPE D) to match the window width. Remove the backing from the seal strip and attach the seal strip to the underside of the bottom window. (Fig. 7)

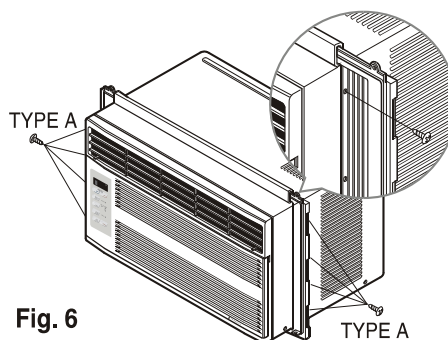


Fig. 6

B. BEGIN INSTALLATION

1. LOCATING UNIT IN WINDOW

Open the window and mark center line on the center of the inner sill, as shown in Fig. 8.

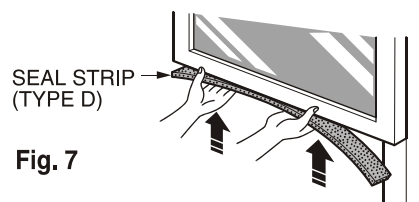


Fig. 7

2. ATTACH L BRACKET

- a. Install the L brackets behind the inner window sill, with the short side of bracket as shown. Use the 2 screws (TYPE A) provided.
- b. The bracket helps to hold unit securely in place. Be sure to place bracket edge flush against back of inner sill. See Fig. 9.

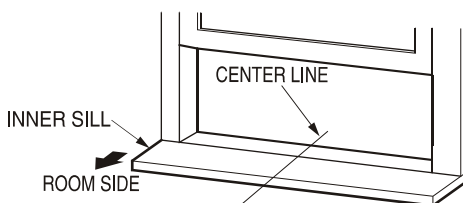


Fig. 8

3. INSTALL THE AIR CONDITIONER IN THE WINDOW

- a. Carefully lift the air conditioner and slide it into the open window. Make sure the bottom guide of the air conditioner drops into the notches of the L bracket. See Fig. 9.

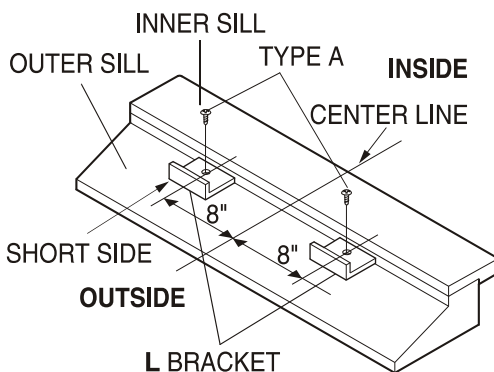


Fig. 9

CAUTION

During the following step, hold unit firmly until window sash is lowered to top channel behind side panel frames. Personal injury or property damage may result if unit falls from window.

IMPORTANT :

When the air conditioner drops into the L bracket, the air conditioner will be centered in window opening as shown in Fig. 10.

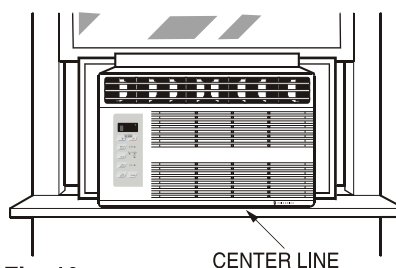


Fig. 10

- b. While steadying the air conditioner, carefully bring the window sash down behind the upper guide of the air conditioner, as shown in Fig. 11.

4. SECURE THE GUIDE PANELS

Extend the guide panels (TYPE F) to fill the window opening using 4 screws (TYPE B) to secure them, as shown in Fig. 12.

5. INSTALL THE SASH SEAL AND SASH LOCK

- a. Cut the sash seal (TYPE E) to the window width. Stuff the sash seal between the glass and the window to prevent air and insects from getting into the room, as shown in Fig. 12.
 - b. Fasten the L bracket using a (TYPE A) screw, as shown in Fig. 12.
- a. Remove the screws that secure the cabinet and base pan in the right side.
 - b. Fasten the support bracket (TYPE G) using a removed screw. Attach the support bracket (TYPE G) in the inner window sill with a screw (TYPE B), as shown Fig. 12.

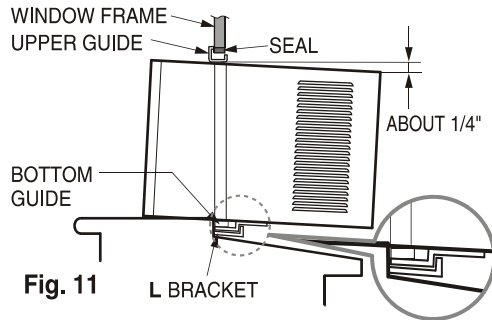


Fig. 11

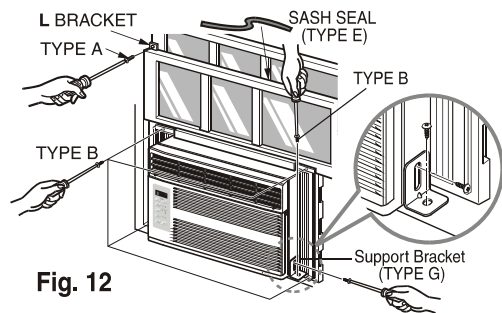


Fig. 12

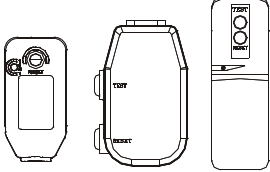
7. Window installation of room air conditioner is now completed. See ELECTRICAL DATA for attaching power cord to electrical outlet.


REMOVAL FROM WINDOW

Turn the air conditioner off, disconnect the power cord, remove the L bracket and the screws installed through the top and bottom of the guide panels, and save for reinstallation later. Close the guide panels. Keeping a firm grip on the air conditioner, raise the sash, and carefully tilt the air conditioner backward, draining any condensate. Lift the air conditioner from the window and remove the sash seal from between the windows.

Electrical Safety

Electrical Data

115V~	
	<p>Power cord includes a current interrupter device. A test and reset button is provided on the plug case. The device should be tested on a periodic basis by first pressing the TEST button and then the RESET button. If the TEST button does not trip or if the RESET button will not stay engaged, discontinue use of the air conditioner and contact a qualified service technician.</p>

Use Wall Receptacle	Power Supply
 <p>Standard 125V, 3-wire grounding receptacle rated 15A, 125V AC</p>	<p>Use 15 AMP. time delay fuse or 15 AMP. circuit breaker.</p>

NOTE!

Aluminum house wiring may pose special problems. Consult a qualified electrician.

ELECTRICAL SAFETY

IMPORTANT GROUNDING INSTRUCTIONS

Your air conditioner has a three-prong grounding plug on its power supply cord, which must be plugged into a properly grounded three-prong wall receptacle for your protection against a possible shock hazard.

Troubleshooting Tips

Troubleshooting Tips save time and money! Review the chart below first and you may not need to call for service.

Normal Operation

- You may hear a pinging noise caused by water being picked up and thrown against the condenser on rainy days or when the humidity is high. This design feature helps remove moisture and improve efficiency.
- You may hear the thermostat click when the compressor cycles on and off.
- Water will collect in the base pan during high humidity or on rainy days. The water may overflow and drip from the outdoor side of the unit.
- The fan may run even when the compressor does not.
- Your air conditioner is designed to cool in warm weather when the outside temperature is above 60°F(16°C) and below 109°F(43°C).

Abnormal Operation

<i>Problem</i>	<i>Possible Causes</i>	<i>What To Do</i>
<i>Air conditioner does not start</i>	■ <i>The air conditioner is unplugged.</i>	• Make sure the air conditioner plug is pushed completely into the outlet.
	■ <i>The fuse is blown/circuit breaker is tripped.</i>	• Check the house fuse/circuit breaker box and replace the fuse or reset the breaker.
	■ <i>Power failure.</i>	• If power failure occurs, turn the mode control to Off. When power is restored, wait 3 minutes to restart the air conditioner to prevent tripping of the compressor overload.
<i>Air conditioner does not cool as it should</i>	■ <i>Airflow is restricted.</i>	• Make sure there are no curtains, blinds, or furniture blocking the front of the air conditioner.
	■ <i>The THERMOSTAT may not be set high enough.</i>	• Push temperature setting button to coolest temperature setting of 60°F.
	■ <i>The air filter is dirty.</i>	• Clean the filter at least every 2 weeks. See the operating instructions section.
	■ <i>The room may have been hot.</i>	• When the air conditioner is first turned on you need to allow time for the room to cool down.
	■ <i>Cold air is escaping.</i>	• Check for open furnace floor registers and cold air returns. • Set the air conditioner's vent to the closed position.
<i>Air conditioner freezing up</i>	■ <i>Cooling coils have iced up.</i>	• See Air Conditioner Freezing Up below.
	■ <i>Ice blocks the air flow and stops the air conditioner from cooling the room.</i>	• Set the mode control on high fan until the ice thaws out.



FRIEDRICH

Friedrich Air Conditioning Company
10001 Reunion Place, Suite 500
San Antonio, TX 78216
800.541.6645
www.friedrich.com

ENGLISH

ROOM AIR CONDITIONERS LIMITED WARRANTY

FIRST YEAR

ANY PART: If any part supplied by FRIEDRICH fails because of a defect in workmanship or material within twelve months from date of original purchase, FRIEDRICH will repair the product at no charge, provided room air conditioner is reasonably accessible for service. Any additional labor cost for removing inaccessible units and/or charges for mileage related to travel by a Service Agency that exceeds 25 miles one way will be the responsibility of the owner. This remedy is expressly agreed to be the exclusive remedy within twelve months from the date of the original purchase.

SECOND THROUGH FIFTH YEAR

SEALED REFRIGERANT SYSTEM: If the Sealed Refrigeration System (defined for this purpose as the compressor, condenser coil, evaporator coil, reversing valve, check valve, capillary, filter drier, and all interconnecting tubing) supplied by FRIEDRICH in your Room Air Conditioner fails because of a defect in workmanship or material within sixty months from date of purchase, FRIEDRICH will pay a labor allowance and parts necessary to repair the Sealed Refrigeration System; **PROVIDED** FRIEDRICH will not pay the cost of diagnosis of the problem, removal, freight charges, and transportation of the air conditioner to and from the Service Agency, and the reinstallation charges associated with repair of the Sealed Refrigeration System. All such cost will be the sole responsibility of the owner. This remedy is expressly agreed to be the exclusive remedy within sixty months from the date of the original purchase.

APPLICABILITY AND LIMITATIONS: This warranty is applicable only to units retained within the Fifty States of the U.S.A., District of Columbia, and Canada. This warranty is not applicable to:

1. Air filters, fuses, batteries and the front grille removal tool.
2. Products on which the model and serial numbers have been removed.
3. Products which have defects or damage which results from improper installation, wiring, electrical current characteristics, or maintenance; or caused by accident, misuse or abuse, fire, flood, alterations and/or misapplication of the product and/or units installed in a corrosive atmosphere, default or delay in performance caused by war, government restrictions or restraints, strikes, material shortages beyond the control of FRIEDRICH, or acts of God.

OBTAINING WARRANTY PERFORMANCE: Service will be provided by the **FRIEDRICH Authorized Dealer or Service Organization** in your area. They are listed in the Yellow Pages. If assistance is required in obtaining warranty performance, write to: Friedrich Air Conditioning Co.,ATTN:Warranty Registration,10001 Reunion Place,Ste.500,San Antonio,TX 78216.

LIMITATIONS: THIS WARRANTY IS GIVEN IN LIEU OF ALL OTHER WARRANTIES. Anything in the warranty notwithstanding, ANY IMPLIED WARRANTIES OF FITNESS FOR PARTICULAR PURPOSE AND/OR MERCHANTABILITY SHALL BE LIMITED TO THE DURATION OF THIS EXPRESS WARRANTY. MANUFACTURER EXPRESSLY DISCLAIMS AND EXCLUDES ANY LIABILITY FOR CONSEQUENTIAL OR INCIDENTAL DAMAGE FOR BREACH OF ANY EXPRESSED OR IMPLIED WARRANTY.

Performance of Friedrich's Warranty obligation is limited to one of the following methods:

1. Repair of the unit
2. A refund to the customer for the prorated value of the unit based upon the remaining warranty period of the unit.
3. Providing a replacement unit of equal value

The method of fulfillment of the warranty obligation is at the sole discretion of Friedrich Air Conditioning.

NOTE: Some states do not allow limitations on how long an implied warranty lasts, or do not allow the limitation or exclusion of consequential or incidental damages, so the foregoing exclusions and limitations may not apply to you.

OTHER: This warranty gives you specific legal rights, and you may also have other rights which vary from state to state.

PROOF OF PURCHASE: Owner must provide proof of purchase in order to receive any warranty related services.

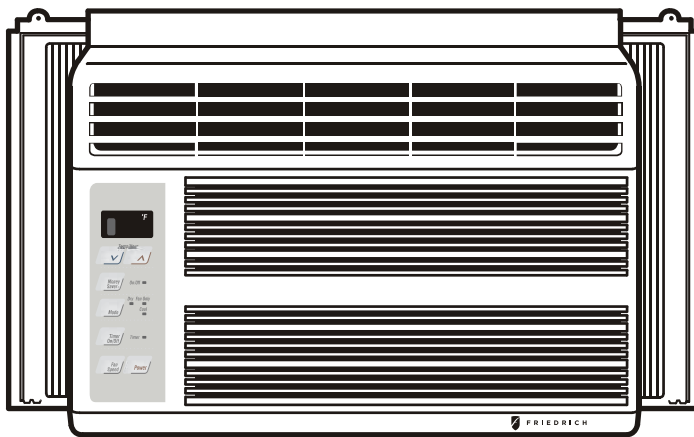
All service calls for explaining the operation of this product will be the sole responsibility of the consumer.

All warranty service must be provided by an **Authorized FRIEDRICH Service Agency**, unless authorized by FRIEDRICH prior to repairs being made.



F R I E D R I C H

Manuel d'utilisation et d'installation de votre climatiseur de pièce



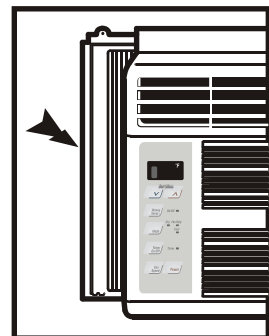
Chill

115 Volts • CP05

FRANÇAIS

Enregistrement de votre climatiseur de pièce

Vous trouverez l'information concernant l'appareil sur la plaque signalétique située sur le côté de l'appareil, près du panneau de commande. Veuillez remplir et poster la carte d'enregistrement fournie avec l'appareil ou enregistrez-vous en ligne à www.friedrich.com (USA uniquement). Veuillez consigner l'information à l'emplacement ci-dessous pour référence ultérieure.



NUMÉRO DU MODÈLE NUMÉRO DE SÉRIE DATE D'ACHAT

920-152-00 (10/10)



Félicitations!

**Merci d'avoir choisi Friedrich.
Votre unité Friedrich est conçue pour vous
offrir le confort et le silence maximums.**

Table des matières

Introduction	2
Mesures de sécurité.....	3
Instructions de Fonctionnement	5
Instructions d'installation.....	7
Guide d'installation.. ..	8
Avant de placer un appel de service... ..	12
Garantie.....	13

Introduction

Avant d'utiliser votre appareil

Assurez-vous que votre câblage électrique est conforme aux normes de fonctionnement de l'appareil.

Si votre système électrique comporte des fusibles, veillez qu'ils soient de type temporisé. Avant d'installer ou de déplacer l'appareil, veillez que l'intensité de courant du disjoncteur ou du fusible temporisé n'excède pas l'intensité de courant spécifiée à la Schéma 1.

N'UTILISEZ JAMAIS un fil de rallonge.

Contrairement au cordon d'alimentation fourni avec l'appareil, le fil de rallonge n'acheminera pas le courant d'alimentation approprié au bon fonctionnement de l'appareil.

Veillez à ce que la prise murale soit compatible avec la fiche du cordon d'alimentation de l'appareil.

Cela assure la mise à la terre appropriée. Si vous possédez un réceptacle à deux broches, vous devrez le remplacer par un réceptacle conforme à tous les codes et règlements nationaux ou municipaux. Vous devez utiliser la fiche à trois broches fournie avec votre climatiseur.


MODÈLE	VALEUR NOMINALE OU TEMPORISATION DU CIRCUIT FUSIBLE		TYPE DE FICHE	
	AMP	VOLT	NO, NEMA (National Electrical Manufacturers Association)	
CP05	15	125	5-15P	

Schéma 1

Pour obtenir le meilleur rendement énergétique et de refroidissement Maintenez le filtre propre

Afin de maintenir le rendement de votre climatiseur à son meilleur niveau, nettoyez régulièrement le filtre. Reportez-vous à la page 6 pour les instructions de dépose et de nettoyage du filtre.

Veillez à la présence d'une circulation d'air appropriée.

Assurez-vous que le flux d'air dans l'unité et hors d'elle n'est pas obstrué. (aussi bien pour les unités intérieures qu'extérieures)

Un flux d'air maximum est critique pour obtenir la meilleure performance. Votre climatiseur souffle de l'air par la partie supérieure de l'unité et il prend de l'air par la partie inférieure de l'unité.

Emplacement de l'appareil

Votre climatiseur fonctionnera plus efficacement si vous l'installez dans une fenêtre ou dans un mur situé à l'ombre d'un arbre ou d'un autre immeuble. L'utilisation de rideaux ou stores du côté ensoleillé de l'immeuble améliorera également le rendement de l'appareil.

Isolation

Une bonne isolation permettra de maintenir le niveau de confort souhaité. Les portes devraient comporter un calfeutrage adéquat. Veillez à bien calfeutrer le périmètre des portes et fenêtres.

Mesures de Sécurité

Pour éviter des accidents corporels ou des dommages matériels, suivez ces instructions.

- Un mauvais fonctionnement dû à l'ignorance de ces instructions peut provoquer des préjudices corporels ou des dommages.



AVERTISSEMENT Ce symbole signale un risque de blessure grave, voire mortelle.



ATTENTION Ce symbole signale un risque limité aux dommages matériels.

- Les significations respectives des symboles utilisés dans ce manuel sont indiquées ci-dessous.



Ne faites jamais cela



Faites toujours cela

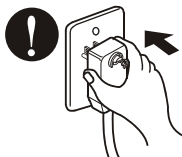
FRANÇAIS



AVERTISSEMENT

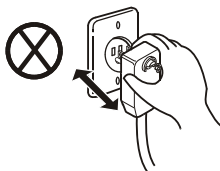
Veillez à brancher correctement votre appareil

- Tout mauvais branchement peut entraîner une surchauffe de votre appareil et causer électrocution ou incendie.



Veillez ne pas mettre en marche ou éteindre votre appareil en branchant ou débranchant votre appareil

- Ceci provoquera une surchauffe et un risque d'électrocution ou d'incendie.



Evitez d'endommager le cordon d'alimentation électrique ou d'en utiliser un non-agé

- Ceci pourrait causer électrocution ou incendie.



Ne modifiez pas la longueur du cordon d'alimentation et ne branchez pas votre climatiseur en commun avec d'autres appareils sur la même prise

- Ceci pourrait provoquer un électrique ou un incendie, dû à une surchauffe.



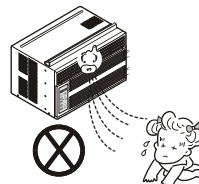
Ne faites pas fonctionner l'appareil les mains mouillées.

- Il y a risque d'électrocution.



Ne dirigez pas directement le flux d'air sur les occupants de la pièce.

- Ceci pourrait mener au problème de santé.



Pour le nettoyage de l'intérieur, veuillez contacter un Centre de Service Agréé ou un concessionnaire. N'utilisez pas de détergent puissants qui provoquent la corrosion ou endommagent l'unité.

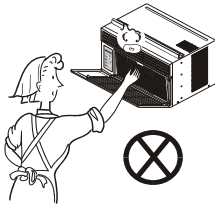
- Les détergents puissants peuvent aussi provoquer des pannes, des incendies ou des chocs électriques.



ATTENTION!

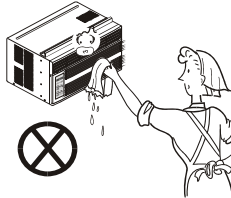
Lorsque le filtre à air doit être retiré, ne pas toucher les parties métalliques de l'appareil.

- Vous risquez de vous blesser.



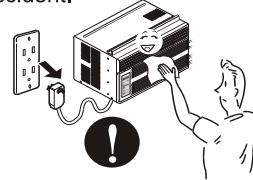
Ne pas nettoyer le climatiseur avec de l'eau.

- L'eau peut s'infiltrer dans l'appareil et affecter l'isolement. Cela peut également provoquer un choc électrique.



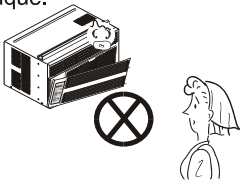
Quand l'unité devrait être nettoyée, change l'unité de, et le débrancher.

- Le ventilateur de refroidissement tournant à grande vitesse dans l'appareil, cela peut provoquer un accident.



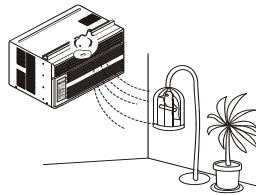
Ne pas opérer l'unité sans le filtre à air ou quand le grillage frontal a été enlevé.

- De la poussière pourrait s'accumuler sur l'échangeur thermique.



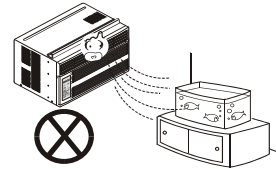
Ne pas placer une plante d'intérieur ou un animal domestique près de l'appareil en risquant de l'exposer directement à l'air froid.

- L'animal comme la plante peuvent en souffrir.



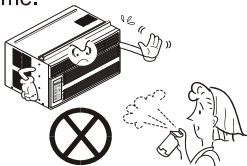
Ne pas se servir de l'appareil à des fins spéciales.

- Le climatiseur ne doit pas être utilisé pour protéger certains appareils de précision, des aliments, des animaux, des plantes et des objets d'art. La qualité risque d'en souffrir.



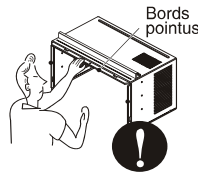
Ne pas utiliser d'insecticide à proximité de l'appareil ni de produits inflammables.

- L'appareil risque de prendre feu ou le coffret risque d'être déformé.



BORDS AIGUISÉS!
Les bords du boîtier peuvent être AIGUISÉS!

- Faites attention lors de la manipulation du boîtier. Saisissez-le fermement et évitez qu'il ne glisse lorsque vous le soutenez.
- Utilisez des gants épais pour manipuler le boîtier, si nécessaire.
- ÉVITEZ que le boîtier ne glisse sur votre peau!



Si le liquide des piles entre en contact avec votre peau ou vos vêtements, nettoyez-les bien avec de l'eau. N'utilisez pas la télécommande si les piles ont subi des fuites.

- Les produits chimiques à l'intérieur des piles pourraient vous causer des brûlures ou d'autres ennuis de santé.



Si vous ingurgitez le liquide de la pile, lavez-vous les dents et consultez votre dentiste. Ne pas utiliser la télécommande si les piles ont fui.

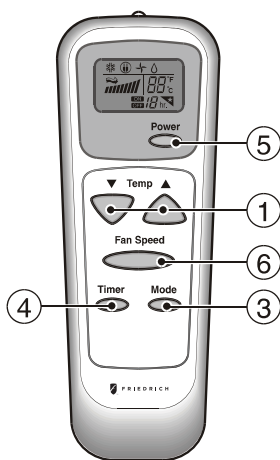
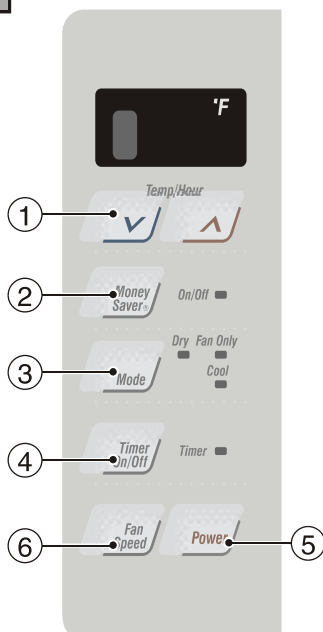
- Les produits chimiques à l'intérieur des piles pourraient vous causer des brûlures ou d'autres ennuis de santé.



Instructions de Fonctionnement

Les commandes ressembleront l'une des suivantes.

Fonctionnement des commandes et de la télécommande



① RÉGLAGE DE LA TEMPÉRATURE

- Ces touches contrôlent la température de la pièce.
La température peut être réglée dans la fourchette de 60°F à 88 °F, avec des augmentations de 1°F.

② MONEY SAVER

- Le ventilateur s'arrête lorsque le compresseur cesse de refroidir.
- Environ toutes les 3 minutes, le ventilateur se met en marche et contrôle l'air de la pièce pour déterminer s'il faut plus de refroidissement.

③ SÉLECTEUR DE MODE DE FONCTIONNEMENT

- Chaque fois que vous appuyez sur cette touche, les modes changent entre FROID, VENTILATEUR et SEC.
sélectionnez mode seche pour l'operation de sec.

④ MINUTERIE MARCHÉ/ARRÊT

- MARCHE (ON)** – Si l'unité arrêtée, utilisez le la minuterie (Timer) pour régler le nombre d'heures restant pour que l'unité se mette en marche.
- Appuyez sur le bouton Timer (Minuterie) pour faire avancer le réglage de la minuterie de 1 heure - 2 heures - ... 24 heures maximum.

ARRÊT (OFF) – Vous utiliserez d'habitude la fonction Heure d'Arrêt (shut-off time) lorsque vous dormez.

- Si l'unité est en marche, utilisez la minuterie (Timer) pour régler le nombre d'heures restant pour l'arrêt de l'unité.
- Pour votre confort lors du sommeil, une fois la minuterie réglée, la température réglée augmentera de 2°F après 30 minutes, puis elle augmentera encore de 2°F après une autre demi-heure.
- Appuyez sur le bouton Timer (minuterie) pour faire avancer le réglage de la minuterie de 1 heure - 2 heures - ... 24 heures maximum.

⑤ ALIMENTATION

- Pour mettre l'appareil en marche (ON), pressez ce bouton.
Pour éteindre l'appareil (OFF), pressez de nouveau sur le bouton.
- Ce bouton a la priorité sur tout autre bouton.
- Lorsque vous mettez en marche le climatiseur pour la première fois, il est réglé en mode refroidissement fort, et la température est réglée à 72°F.

⑥ VITESSE DE VENTILATEUR

- Chaque fois que vous appuyez sur cette touche, la vitesse du ventilateur change de la manière suivante:
Elevée (F3) → Basse (F1) → Moyenne (F2) → Elevée (F3)

Comment insérer les piles

1. Enlevez le couvercle de la partie arrière de la télécommande.
2. Mettez deux piles neuves dans leur logement en respectant la polarité.
3. Remettez la trappe pile dans sa glissière.



- Ne pas utiliser de piles rechargeable dans la télécommande.



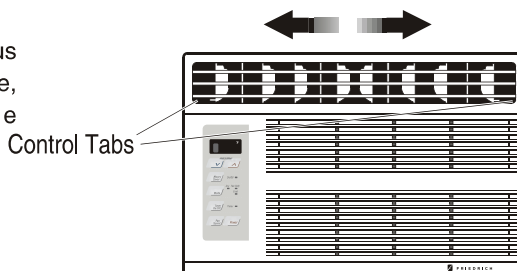
- Si vous comptez ne pas utiliser l'appareil pour une longue période, retirez les piles de la télécommande.



La Direction de L'air

• POUR AJUSTER LA DIRECTION DE L'AIR À L'AIDE DE LA COMMANDE DE DIRECTION HORIZONTALE DE L'AIR

En vous servant des languettes de contrôle, vous pouvez diriger la circulation d'air vers la gauche, la droite, droit devant ou n'importe quelle combinaison de ces directions.



Nettoyage et Entretien

FERMEZ LE CLIMATISEUR ET DÉBRANCHEZ LA FICHE DE LA PRISE DE COURANT.

• NETTOYER LE FILTRE

Le filtre à air se salira inévitablement puisqu'il se charge de capturer les particules de poussière de l'air ambiant. Vous devriez le nettoyer à toutes les 2 semaines. Si le filtre demeure sale, la circulation d'air diminuera et la capacité de refroidissement en sera sérieusement diminuée, pouvant même endommager l'appareil.

1. Tirez sur le grillage d'admission vers vous en prenant les deux languettes; retirez le filtre à air (Schéma 1).
2. Assurez-vous de faire sécher complètement le filtre avant de le remettre à sa place dans l'unité.

• NETTOYER LE CLIMATISEUR

La grille avant et la grille d'entrée d'air peuvent être nettoyées à l'aide d'un chiffon humidifié avec de l'eau additionnée de détergent doux. (Schéma. 2)

Vous pouvez également nettoyer le boîtier en utilisant un savon ou détergent doux et de l'eau tiède, puis faites-le briller à l'aide de cire liquide pour appareils électroménagers.

Pour assurer la continuité d'un maximum d'efficacité, le serpentin de l'unité extérieure (serpentin du condenseur) doit être périodiquement contrôlé et nettoyé s'il est obstrué avec de la suie ou de la saleté atmosphérique.

• COMMENT ENLEVER LE GRILLAGE FRONTAL

1. Retirez les boutons du thermostat et des fonctions en tirant dessus.
2. Retirez la vis qui tient le grillage frontal (Schéma 3).
3. Poussez sur le grillage vers le haut, à partir du bas, et tirez sur le dessus de façon à l'éloigner du boîtier; les languettes supérieures sortiront de leurs fentes (Schéma 4).
4. Soigneusement disposer la grille, le fond en premier, et claquer le soutien à sa place.
5. Repositionnez la vis située à l'avant de la grille et replacez les boutons.

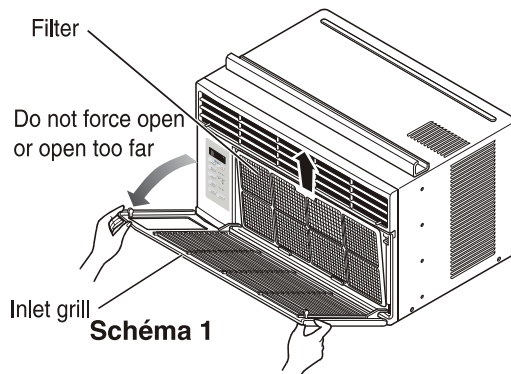


Schéma 1

Schéma 2

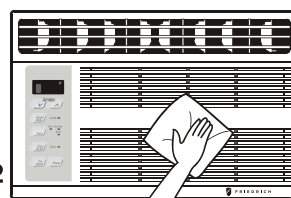


Schéma 3

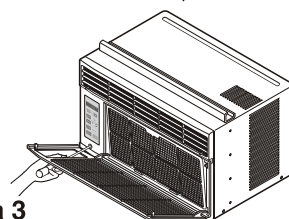
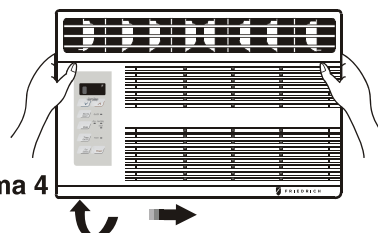


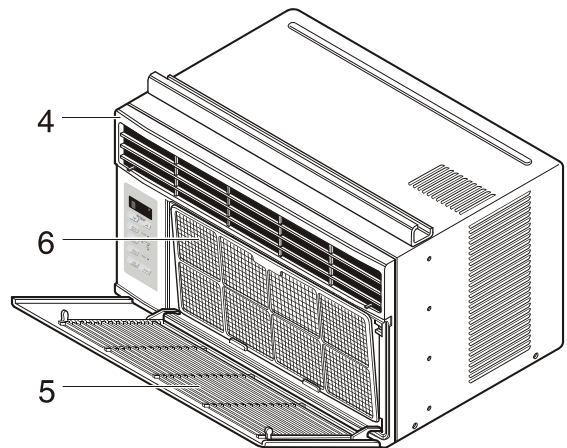
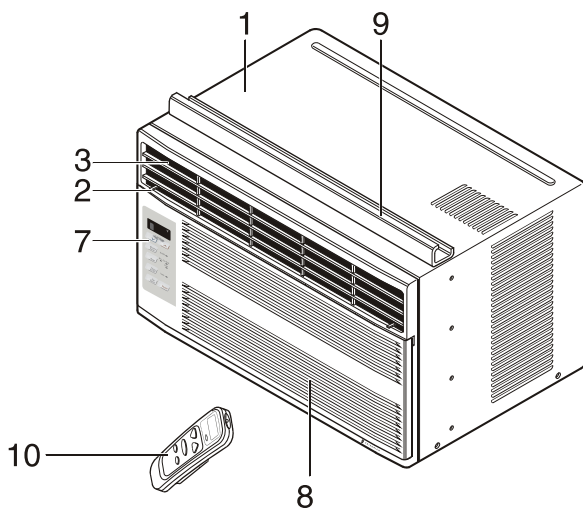
Schéma 4



Instructions d'installation

Apprendre le nom des pièces avant l'installation vous aidera à mieux comprendre le processus d'installation

Caractéristiques



1. BOÎTIER
2. DÉFLECTEUR D'AIR HORIZONTAL
3. DÉCHARGE D'AIR FROID
4. GRILLAGE FRONTAL
5. GRILLAGE D'ADMISSION

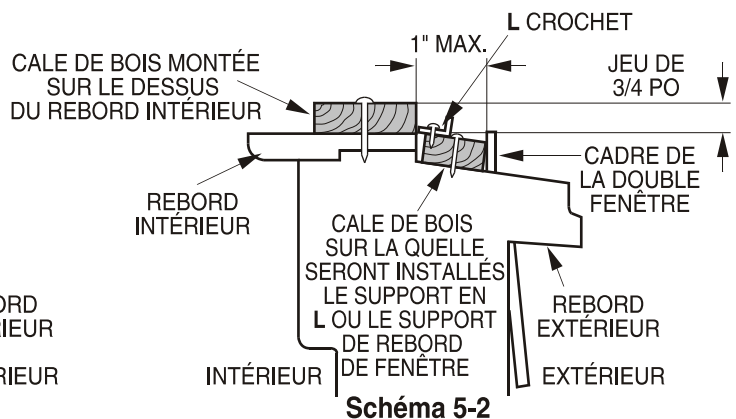
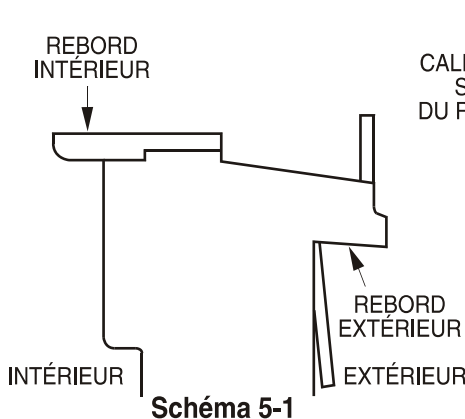
6. FILTRE À AIR
7. TABLEAU DE CONTROL
8. PRISE D'ADMISSION
9. GUIDE SUPÉRIEUR
10. TÉLÉCOMMANDE

Guide d'installation

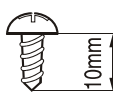
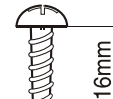
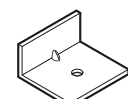
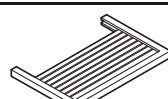

Instructions d'installation

REMARQUE: Toutes les pièces de d'appui doivent être fermement fixées à une structure en bois, métal....

1. Cet appareil a été conçu pour être installé dans des fenêtres doubles à guillotine dont la largeur d'ouverture varie entre 22 po. et 36 po. Le châssis du haut et celui du bas doivent s'ouvrir suffisamment pour permettre une ouverture verticale de 14" à partir du bas de la glissière jusqu'au rebord de la fenêtre (voir le Schéma 5-2).
2. Si le cadre de la fenêtre extérieure gêne l'installation en n'offrant pas une pente de drainage suffisante, fixez une cale de bois de 2 po/50mm de large sur toute la largeur du rebord intérieur de la fenêtre. La cale de bois doit être assez épaisse pour remonter la hauteur du rebord intérieur de la fenêtre, de manière à ce que le climatiseur puisse être installé sans problème. Voir le Schéma 5-2. Le dessus de la cale de bois doit dépasser le cadre de la fenêtre d'environ 3/4 po afin de créer une pente qui facilitera le drainage de la condensation vers l'extérieur.
3. Fixez une deuxième cale de bois (de 6 po/150mm de long, 1 1/2 po/38 mm de large et de la même épaisseur que la première) au centre du rebord extérieur de la fenêtre, en la coinçant contre l'arrière du rebord intérieur. Vous soulèverez ainsi le support en L ou celui pour le rebord de la fenêtre selon le cas, tel qu'illustré au Schéma 5-2.
4. Si la distance entre "CALE DE BOIS MONTÉE SUR LE DESSUS DU REBORD INTÉRIEUR" et "CADRE DE LA DOUBLE FENÊTRE" est plus de 1", deux bande en bois ne sont pas nécessaires.



Installation

MATÉRIEL REQUIS POUR L'INSTALLATION			
TYPE A: Qté:11 (Vis courte)	TYPE B: Qté:5 (Vis à bois)	TYPE C: Qté:3 (L Crochet)	
			
TYPE D: Qté:1 (Bande d'étanchéité)	TYPE E: Qté:1 (Bande d'étanchéité)	TYPE F: Qté:2 (Panneaux coulissants)	TYPE G: Qté:1 (Soutien le crochet)
(Endos adhésif)	(Sans endos adhésif)		

A. AVANT L'INSTALLATION

1. Insérez les panneaux coulissants dans les guides du climatiseur, Attachez les panneaux coulissants à l'appareil en vous servant des vis de type A, tel qu'illustré au Schéma 6.
2. Coupez le bourrelet avec adhésif (Type D) de manière à le faire coïncider avec la largeur de la fenêtre.
Retirez l'endos autocollant de la bande et collez-la sur le dessous de la fenêtre du bas.
(Voir le Schéma 7)

B. COMMENCEZ L'INSTALLATION AINTENANT

1. PLACEZ L'APPAREIL DANS LA FENÊTRE

Ouvrez la fenêtre et faites une marque ligne au centre du intérieur, tel qu'illustré au Schéma 8.

2. ATTACHEZ LE SUPPORT EN L

- a. Installez les consoles L derrière le seuil de la fenêtre intérieure, avec le côté court de la console somme montré. Utilisez les 2 vis (Type A) foarnis. Le support sert à maintenir l'appareil en place de façon plus sécuritaire.
- b. Assurez-vous de le fixer contre l'arrière du rebord intérieur. Voir Schéma 9.

3. INSTALLEZ LE CLIMATISEUR À LA FENÊTRE

- a. Levez doucement le climatiseur et glissez-le dans la fenêtre ouverte. Assurez-vous que le guide sous le climatiseur tombe dans les coches du support en L. Voir le Schéma 9.

ATTENTION

Durant les étapes qui suivent, tenez le climatiseur fermement jusqu'à ce que le cadre de la fenêtre soit descendu et fermement appuyé sur la rainure supérieure, qui se trouve derrière les panneaux latéraux. La chute de l'appareil pourrait causer des blessures ou des dommages à la propriété.

IMPORTANT :

Lorsque le climatiseur tombe dans le mensula en L, le climatiseur sera maintenant centré dans la fenêtre, tel qu'illustré au Schéma 10.

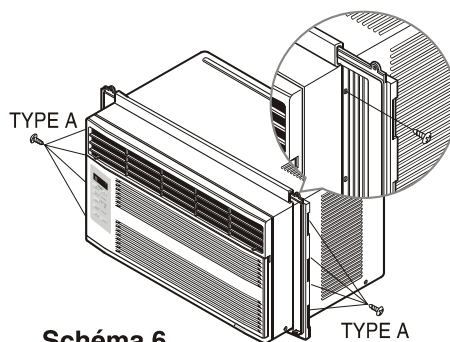


Schéma 6

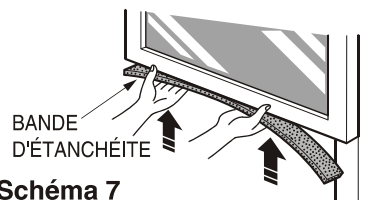


Schéma 7

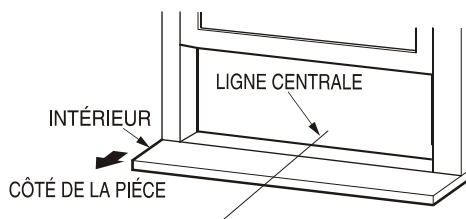


Schéma 8

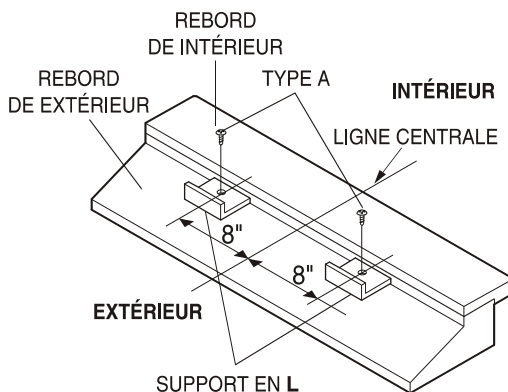


Schéma 9

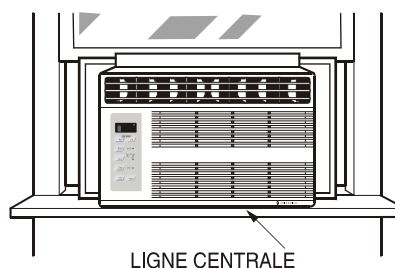


Schéma 10

- b. Pendant que vous stabilisez le climatiseur, descendez tranquillement la glissière de la fenêtre en arrière du guide supérieur du climatiseur, tel qu'illustré au Schéma 11.

4. ATTACHEZ LES PANNEAUX COULISSANTS

Étirez les panneaux coulissants de façon à ce qu'ils occupent toute l'ouverture de la fenêtre et attachez-les à l'aide des 4 vis (Type B), tel qu'illustré au Schéma 12.

5. INSTALLEZ LA BANDE ET LE VERROU DE LA GLISSIÈRE

- a. Coupez la bande d'étanchéité de la glissière selon la largeur de la fenêtre. Bourrez l'espace entre la fenêtre et le verre avec la bande de la glissière de façon à empêcher l'air et les insectes d'entrer dans la pièce, tel qu'illustré au Schéma 12.
 - b. Vissez le verrou de la glissière en vous servant d'une vis de type C, tel qu'illustré au Schéma 12.
6. a. Retirez les vis qui tiennent le boîtier et le bac de la base sur le côté droit.
 - b. Vissez la patte de fixation (TYPE G) à l'appareil avec une des vis enlevées. Fixez la patte (TYPE G) au rebord intérieur de la fenêtre avec une vis de TYPE B, comme illustré au schéma 12.

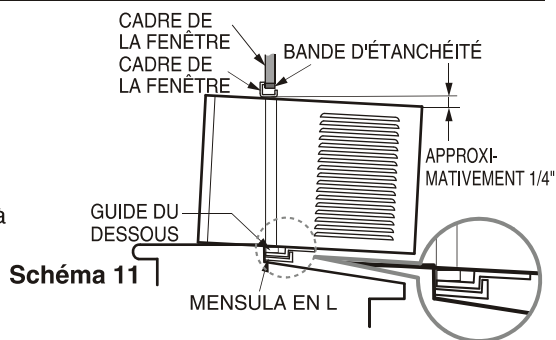


Schéma 11

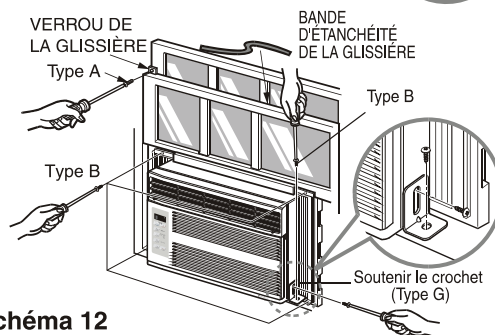


Schéma 12

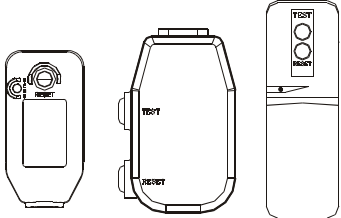
7. Vous avez maintenant complété l'installation de votre climatiseur. Consultez la section sur la LES MESURES DE SÉCURITÉ ÉLECTRIQUES pour tous les détails du branchement du fil d'alimentation à la prise de courant.


LE RETRAIT DE LA FENÊTRE

Tournez le bouton des fonctions à la position "Off" (hors tension), débranchez le fil d'alimentation et retirez le verrou de la glissière et les vis installées au haut et au bas des panneaux coulissants. Conservez ces vis pour toute installation ultérieure. Refermez les panneaux coulissants. En tenant solidement le climatiseur, soulevez la glissière de la fenêtre à guillette et penchez lentement l'appareil par en arrière en prenant soin de récolter l'excédent d'eau qui pourrait couler. Glissez le climatiseur vers la droite et sortez-le de la fenêtre; retirez ensuite la bande d'étanchéité de la glissière qui se trouve entre les fenêtres.

Electrical Safety

Instructions d' installation

<p>115V~</p> 	<p>Le cordon d'alimentation inclut un dispositif de coupure. Un bouton TEST et un bouton RESET (rétablir) sont fournis dans le boîtier de la fiche. Ce dispositif doit être périodiquement testé en appuyant d'abord sur le bouton TEST et ensuite sur le bouton RESET. Si le bouton TEST ne déclenche pas ou que le bouton RESET ne reste pas activé, veuillez suspendre l'utilisation du climatiseur et contacter un technicien qualifié.</p>
--	---

Utilisez ce type de prise murale	Source d'alimentation
 <p>Réceptacle standard de 125V à 3 fils avec mise à la masse, capacité de 15A, 125V CA</p>	<p>Utilisez un fusible à retardement de 15 A ou un disjoncteur de 15 A.</p>

MESURES DE SÉCURITÉ ÉLECTRIQUES

INSTRUCTIONS IMPORTANTES RELATIVES À LA MISE À LA TERRE

Votre climatiseur est équipé d'un cordon d'alimentation muni d'une fiche à trois broches pour mise à la terre. Cette fiche doit être branchée dans une prise murale compatible et correctement reliée à la terre afin de vous protéger contre tout possible choc électrique.

REMARQUE: N'UTILISEZ PAS DE CORDON PROLONGATEUR.

Avant de placer un appel de service...

Quelques conseils pour vous dépanner:

Épargnez temps et argent! Révissez le tableau ci-dessous et vous éviterez peut-être un appel de service coûteux.

Fonctionnement normal

- Il se peut que vous entendiez un cliquettement causé par l'eau qui est soulevée et projetée contre le condensateur lors des jours de pluie ou lorsque le taux d'humidité est élevé. Cette caractéristique sert à réduire l'humidité et améliorer l'efficacité de l'appareil.
- L'eau s'accumulera dans le bac du fond lors des jours très humides ou des jours de pluie. L'eau peut déborder et s'égoutter à l'extérieur de l'appareil.
- Le ventilateur peut fonctionner même si le compresseur est inactif.

Fonctionnement anormal

PROBLÈME	CAUSES POSSIBLES	SOLUTION
Le climatiseur ne part pas.	■ <i>Le climatiseur est débranché</i>	• Assurez-vous de bien enfoncer la fiche du climatiseur dans la prise de courant.
	■ <i>Le fusible est sauté ou le disjoncteur, déclenché dans la boîte électrique.</i>	• Vérifiez le fusible ou le disjoncteur, remplacez le fusible ou remettez le disjoncteur en fonction.
	■ <i>En cas de panne de courant</i>	• Après avoir ramené le courant, attendez 3 minutes avant de repartir le climatiseur, ce qui empêchera de déclencher la surcharge du compresseur.
Le climatiseur ne refroidit pas de manière efficace.	■ <i>Il y a blocage de la circulation d'air.</i>	• Assurez-vous d'éloigner tout rideau, store ou meuble pouvant obstruer l'avant du climatiseur.
	■ <i>Commande TEMP réglée à un chiffre plus élevé.</i>	• Poussez le bouton de commande de réglage de la température vers la position 60°F.
	■ <i>Le filtre à air est sale.</i>	• Nettoyez régulièrement le filtre (au moins à toutes les deux semaines). Consultez la section des instructions de fonctionnement à ce sujet.
	■ <i>Il se peut que la pièce ait été excessivement chaude avant de partir le climatiseur.</i>	• Lorsque vous mettez le climatiseur en marche pour la première fois, vous devez lui laisser suffisamment de temps pour refroidir la pièce.
	■ <i>Il y a de l'air froid qui s'échappe.</i>	• Vérifiez si les registres du système de chauffage au plancher et les retours d'air froid sont fermés.
Le climatiseur est gelé	■ <i>Les bobines de refroidissement sont recouvertes de glace.</i>	• Consultez la rubrique "Le climatiseur est gelé" ci-dessous.
	■ <i>Le givre bloque la circulation d'air et empêche le climatiseur de refroidir la pièce</i>	• Réglez la commande des modes à la position élevée du ventilateur High Fan ou de refroidissement élevé High Cool en ajustant le thermostat à 1 ou 2 .



F R I E D R I C H

Friedrich Air Conditioning Company

10001 Reunion Place, Suite 500

San Antonio, Tx 78216

800.541.6645

www.friedrich.com

GARANTIE LIMITÉE CLIMATISEURS INDIVIDUELS

PREMIÈRE ANNÉE

TOUTES LES PIÈCES - Si, dans les 12 mois suivant la date d'achat initial, une pièce fournie par FRIEDRICH devenait défectueuse en raison d'un défaut de fabrication ou de matériau, FRIEDRICH réparera le produit gratuitement, dans la mesure où le climatiseur est raisonnablement accessible pour la réparation. Tous les frais de main d'oeuvre additionnels pour la dépose d'un appareil difficilement accessible et/ou les frais de déplacement (kilométrage) encourus par le réparateur, au delà de 40 km (25 miles) dans une seule direction, sont la responsabilité du propriétaire. Cette compensation est reconnue comme étant la seule compensation offerte dans les 12 mois qui suivent la date d'achat initial.

DEUXIÈME À CINQUIÈME ANNÉE

SYSTÈME FRIGORIFIQUE HERMÉTIQUE - Si le système frigorifique hermétique (comprenant, aux termes de cette garantie, le compresseur, le serpentin de condenseur, le serpentin d'évaporateur, le robinet d'inversion, le clapet anti-retour, le tube capillaire, le déshydrateur-filtre et toute la tuyauterie interconnectée) intégré par FRIEDRICH à votre climatiseur devenait défectueux en raison d'un défaut de fabrication ou de matériau dans les 60 mois à compter de la date d'achat initial, FRIEDRICH allouera un dédommagement pour les frais de main d'oeuvre et les pièces nécessaires à la réparation du système frigorifique hermétique. FRIEDRICH ne prendra pas en charge les frais de diagnostic, de dépose et de transport du climatiseur jusqu'au centre de réparation et retour, ni les frais de réinstallation consécutifs à la réparation. Tous ces frais sont à la charge du propriétaire. Ce dédommagement est reconnu comme étant la seule compensation offerte dans les 60 mois qui suivent la date d'achat initial.

CONDITIONS D'APPLICATION ET RESTRICTIONS - Cette garantie s'applique exclusivement aux appareils vendus au détail aux États-Unis, dans le District de Columbia et au Canada. Cette garantie ne s'applique pas :

1. Aux filtres à air ni aux fusibles ;
2. Aux produits dont le numéro de modèle et le numéro de série ont été enlevés ;
3. Aux produits dont la défaillance ou les dommages résultent d'une mauvaise installation, d'un mauvais câblage, d'une tension d'alimentation inadéquate ou d'un mauvais entretien; ni lorsqu'ils sont causés par un accident, une utilisation erronée ou abusive, un incendie, une inondation, une modification et/ou une erreur d'application du produit. La garantie ne s'applique pas non plus aux appareils installés dans une atmosphère corrosive, ni aux problèmes ou délais d'utilisation résultant d'actes de guerre, de restrictions ou de contraintes gouvernementales, de grèves, de pénuries de matériau indépendantes du contrôle de FRIEDRICH, ou de catastrophes naturelles.

EXÉCUTION DE LA GARANTIE - Les réparations seront effectuées par un revendeur ou un centre de réparation agréés par FRIEDRICH et situés dans votre région. Leurs coordonnées se trouvent dans les Pages Jaunes. Si vous avez besoin d'assistance pour obtenir une réparation sous garantie.

EXCLUSIONS - CETTE GARANTIE EST OFFERTE À L'EXCLUSION DE TOUTE AUTRE GARANTIE. Nonobstant les clauses cette garantie, TOUTE GARANTIE IMPLICITE DE CONFORMITÉ POUR UN USAGE PARTICULIER ET/OU DE QUALITÉ MARCHANDE SERA LIMITÉE À LA DURÉE DE LA PRÉSENTE GARANTIE EXPRESSE. LE FABRICANT DÉCLINE ET EXCLUT FORMELLEMENT TOUTE RESPONSABILITÉ POUR LES DOMMAGES ET PRÉJUDICES INDIRECTS RELATIFS À L'INEXÉCUTION DE TOUTE GARANTIE EXPRESSE OU IMPLICITE.

La performance de l'obligation de Garantie de Friedrich est limitée à une des méthodes suivantes :

1. Réparation de l'unité
2. Un remboursement au client pour la valeur distribuée au prorata de l'unité basée sur la période restante de garantie de l'unité.
3. L'établissement d'une unité de remplacement de valeur égale

La méthode pour fulfillment de l'obligation de garantie est à la discrétion unique de Friedrich.

REMARQUE - Certaines provinces n'autorisent pas de restriction sur la durée d'une garantie implicite ou n'autorisent pas de restriction ni d'exclusion des dommages ou préjudices indirects. Il est donc possible que ces exclusions et restrictions ne s'appliquent pas à vous.

AUTRE - Cette garantie vous accorde des recours légaux spécifiques mais il est possible que vous bénéficiiez d'autres droits selon votre province.

PREUVE D'ACHAT - Pour bénéficier des services offerts par la présente garantie, l'acquéreur devra fournir une preuve d'achat.

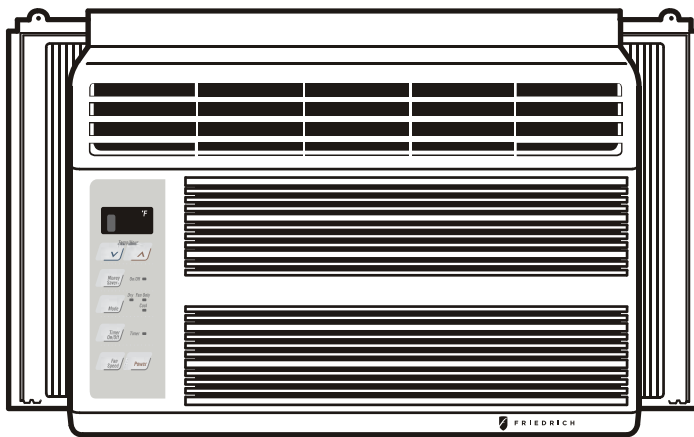
Tous les appels de service relatifs au fonctionnement de ce produit sont à la charge du consommateur.

Toute réparation sous garantie doit être effectuée par un centre de service agréé par FRIEDRICH, sauf autorisation expresse de FRIEDRICH au préalable.



F R I E D R I C H

Acondicionador de aire para habitación Manual de Instalación y Operación



Chill

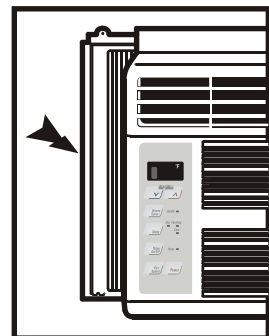
115 Volts • CP05

ESPAÑOL

Registrar su acondicionador de aire para habitación

Model information can be found on the name plate located on the
La información sobre el modelo puede hallarse en la placa ubicada en el
costado de la unidad más cercana al panel de control. Complete y envíe por
correo la tarjeta de registro de propietario que se entrega con este producto, o
bien regístrese por Internet en www.friedrich.com (sólo para EE.UU.) Para su
conveniencia en el futuro, registre aquí la información sobre su modelo.

NÚMERO DE MODELO NÚMERO DE SERIE FECHA DE COMPRA



920-152-00 (10/10)



Felicidades!

**Gracias por elegir Friedrich.
Su unidad Friedrich está diseñada para
lograr la máxima comodidad y silencio.**

Contenidos

Introducción.....	2
Precauciones Importantes de Seguridad	3
Instruccionnes de Funcionamiento	5
Requerimientos de la Ventana	7
Instrucciones para la instalación	8
Antes de avisar al Servicio Técnico	12
Garantía.....	13

Introducción

Antes de poner en funcionamiento su unidad

Asegúrese que el tipo de cable sea el adecuado a su unidad.

Si tiene fusibles, deben ser del tipo de tiempo retardado. Antes de instalar o reubicar esta unidad, asegúrese que el nivel de amperaje del disyuntor o del fusible de tiempo retardado no exceda el amperaje que figura en la figura 1.

NO use cables de extensión.

El cable provisto llevará la cantidad adecuada de electricidad a la unidad, un cable de extensión puede no hacerlo.

Asegúrese que el receptáculo es compatible con el enchufe provisto.

Este asegura la conexión a masa correcta. Si tiene un receptáculo de dos clavijas, necesitará reemplazarlo por un receptáculo de tres clavijas que cumpla con todos los códigos de las diferentes naciones y las ordenanzas. Debe usar el enchufe de tres clavijas con el acondicionador de aire.


MODELO	CIRCUITO REGIMEN O TIEMPO DE RETARDO FUSIBLE		CARA DEL ENCHUFE	
	AMP	VOLT	NEMA NO.	
CP05	15	125	5-15P	

Figura 1

Para un mejor rendimiento del enfriador y eficiencia energética

Mantenga limpio el filtro

Asegúrese que su acondicionador de aire esté en su condición óptica de rendimiento limpiando regularmente el filtro.

Las instrucciones para quitar y limpiar el filtro pueden encontrarse en la página 6.

Provee buen flujo de aire

Asegúrese que el flujo de aire en el interior y el exterior de la unidad no esté obstruido. (Tanto en equipo de interior como de exterior).

El flujo máximo de aire es crítico para lograr el máximo rendimiento. Su aire acondicionado expulsa aire desde la parte superior de la tapa de la unidad y toma aire desde la parte inferior de la unidad.

Ubicación de la unidad

Si su acondicionador de aire puede ser ubicado en una ventana o una pared que tenga sombra ya sea de árboles o de otro edificio, la unidad operará más eficientemente. El uso de cortinas o persianas del lado donde da el sol de la vivienda, también ayudará a la eficiencia de la unidad.

Aislación

Una buena aislación será de gran ayuda para mantener los niveles de comodidad deseables. Las puertas deberán tener protecciones contra el clima. Asegúrese de enmasillar alrededor de las puertas y las ventanas.

Precauciones Importantes de Seguridad

Siga estas instrucciones para que no se produzcan daños en la propiedad ni daños personales.

■ Se pueden producir daños si se utiliza el aparato de forma incorrecta al desconocer las instrucciones.



ADVERTENCIA

Este símbolo indica la posibilidad de lesiones mortales o graves.



PRECAUCION

Este símbolo indica la posibilidad de lesiones o daños materiales.

■ El significado de los símbolos utilizados en este manual se indica a continuación.



No realice nunca



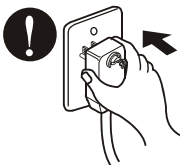
Lleve a cabo siempre



ADVERTENCIA

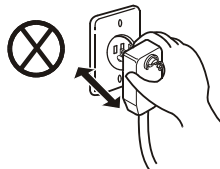
Conecte correctamente el enchufe

- De otra forma, ello ocasionaría una descarga eléctrica o incendio a causa de la generación de calor.



No opere o pare la unidad insertando o tirando del enchufe

- Ello ocasionaría una descarga eléctrica o incendio a causa de la generación de calor.



No dañe o utilice un cable eléctrico inadecuado

- Ello ocasionaría una descarga eléctrica o incendio.



No modifique el largo del cable eléctrico, y tampoco comparta el tomacorriente con otros aparatos

- Ello ocasionaría una descarga eléctrica o incendio a causa de la generación de calor.



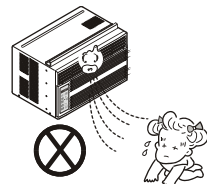
No lo maneje con las manos húmedas

- Puede ocasionar una descarga eléctrica.



No dirija el aire directamente hacia los ocupantes de la habitación.

- Esto podría dirigir al problema de la salud.



Para una limpieza interior, póngase en contacto con un Centro de Servicios Autorizado o un revendedor. No utilice detergentes abrasivos que causan corrosión o dañan la unidad.

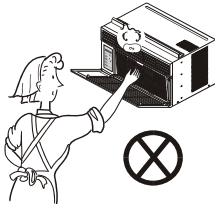
- Los detergentes abrasivos pueden igualmente provocar un fallo del producto, un incendio o una descarga electrónica.



PRECAUCION

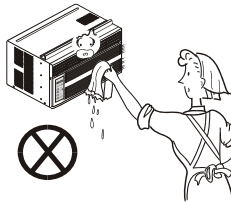
Cuando se vaya a quitar el filtro de aire no toque las partes metálicas de la unidad interior.

- Esto podría causar heridas.



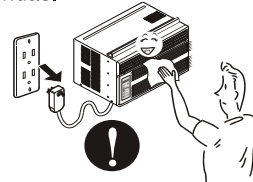
No limpie el acondicionador de aire con agua.

- El agua podría entrar en la unidad y degradar el aislamiento. También podría causar una sacudida eléctrica.



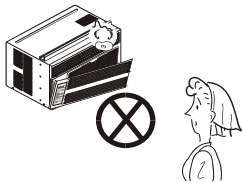
Cuando la unidad deberá ser limpiada, cambia la unidad lejos, y lo quita.

- Puesto que el ventilador gira a alta velocidad durante la operación, podría ocasionar heridas.



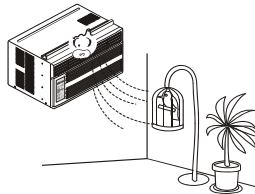
No opere sin el filtro de aire o cuando la rejilla frontal de toma de aire haya sido removida.

- Podría causar acumulación de polvo en el intercambiador de calor.



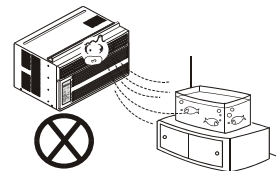
No ponga un animal doméstico ni una planta donde quede directamente expuesto al flujo de aire.

- Esto podría dañar al animal o a la planta.



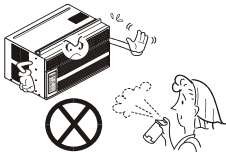
No lo utilice para propósitos especiales.

- No utilice este acondicionador de aire para conservar dispositivos de precisión, alimentos y objetos de arte; no ponga tampoco animales y plantas cerca de él. Esto podría deteriorar la calidad, etc.



No aplique aerosoles con insecticida o productos inflamables.

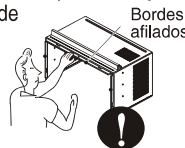
- Esto podría causar un incendio o deformar la caja.



¡BORDES AFILADOS!

¡Los bordes de la carcasa pueden ser AFILADOS!

- Tenga cuidado al manejar la carcasa. Sujétela firmemente y no permita que se deslice mientras la sostiene.
- Utilice guantes gruesos para manejar la carcasa en caso de necesidad.
- ¡No permita que la carcasa resbale contra su piel!



Si entra líquido de las pilas en contacto con la piel o la ropa, lávela inmediatamente con agua. No utilice el control remoto si las pilas tienen fugas.

- Los productos químicos de las pilas podrían causar quemaduras u otros perjuicios a la salud.



Si el líquido de las pilas alcanzara su boca, cepille sus dientes y consulte a un médico. No utilice el mando a distancia si las pilas han experimentado fugas.

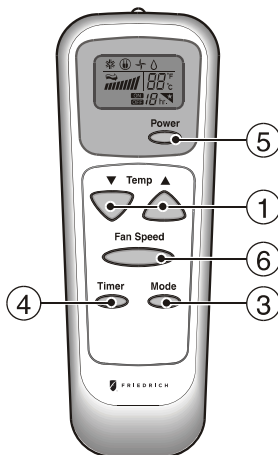
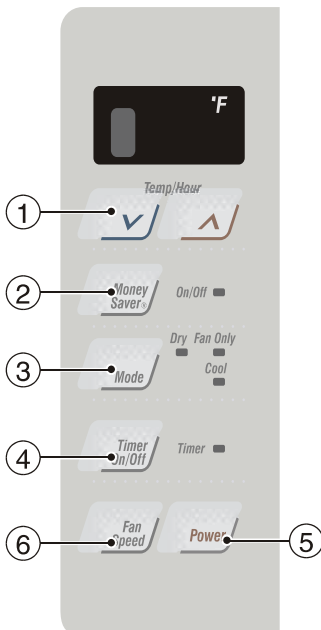
- Los productos químicos de las pilas podrían causar quemaduras u otros perjuicios a la salud.



Instrucciones de Funcionamiento

La apariencia de los controles será como uno de los siguientes.

Funcionamiento de los controles y del mando a distancia.



① AJUSTE DE LA TEMPERATURA

- Estos botones controlan la temperatura de la habitación. La temperatura se puede establecer en un intervalo de 15°C a 31°C en aumentos de 1°C

② MONEY SAVER

- Cada tres minutos el ventilador se enciende y comprueba el aire de la habitación para determinar si sigue siendo necesario refrigerar la habitación.

③ FUNCIONAMIENTO DEL MODO SELECTOR

- Cada vez que pulse el botón, rotará entre los modos COOL (refrigeración), FAN (ventilación) y DRY (seco).
seleccione el modo seco para la operación seca.

④ TEMPORIZADOR DE ENCENDIDO/APAGADO

- ENCENDIDO** – Si la unidad está apagada, utilice el temporizador para fijar el número de horas a transcurrir antes de que la unidad comience a funcionar.

- Presione el botón Temporizador para avanzar la configuración de 1hr - 2hrs - 24horas máximo.

- APAGADO** – Por lo general, usted utilizará la función 'tiempo de apagado' justo antes de dormir.

- Si la unidad está en marcha, utilice el temporizador para fijar el número de horas a transcurrir antes de que la unidad se apague.

- Para su comodidad al dormir, una vez que fije la hora, el ajuste de temperatura aumentará 2°F tras 30 minutos, y de nuevo tras otros 30 min.

- Presione el botón Temporizador para avanzar la configuración de 1 hr. - 2 hrs.... 24horas máximo.

⑤ ENENCNDIDO/APAGADO

- To turn the unit ON, push the button. To turn the unit OFF, push the button again.

- Este botón tiene prioridad sobre el resto de los botones.

- Cuando encienda la unidad por primera vez, ésta se encontrará en modo High Cool y la temperatura será de 72°F.

⑥ VELOCIDAD DEL VENTILADOR

- Cada vez que pulse el botón rotará entre las siguientes velocidad del ventilador.

Alta (F3) → Baja (F1) → Medio (F2) → Alta (F3)

Cómo Poner las Baterías

1. Desmonte la tapa en la parte posterior del mando a distancia.
2. Introduzca las dos baterías, asegurándose de que las direcciones (+) y (-) estén colocadas correctament. Use baterías nuevas.
3. Volver a cerrar, resbalando la tapa hasta la posición inicial.



- No utilice baterías recargables, éstas son diferentes de forma, de dimensión y uso respecto a las baterías secas usuales.



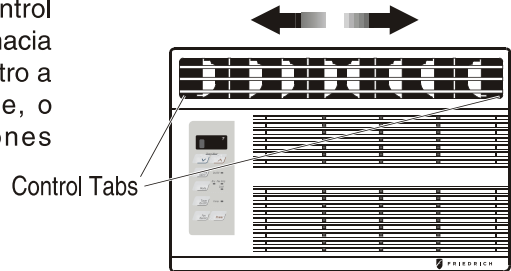
- Seque las baterías del telemando cuando el acondicionador no vaya a ser usado durante un largo período.



La dirección del aire

• PARA AJUSTAR LA DIRECCION DEL AIRE USANDO CONTROL DE LA DIRECCION DEL AIRE

Las dos lengüetas horizontales para el control de las rejillas le permiten descargar el aire hacia la izquierda, o algo de aire a la izquierda y otro a la derecha, o todo el aire hacia el frente, o cualquier combinación de las posiciones mencionadas.



Cuidado y Mantenimiento

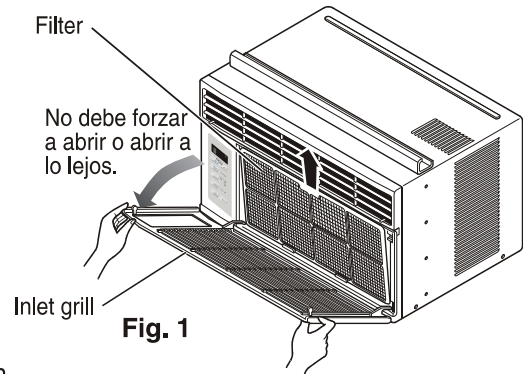
APAGUE EL AIRE ACONDICIONADO Y SAQUE EL ENCHUFE DEL TOMA CORRIENTE DE LA PARED.

• PARA LIMPIAR EL FILTRO

Limpie el Filtro del Aire, que extrae el polvo interior del cuarto.

Debe ser lavado por lo menos cada dos semanas. Un filtro de Aire sucio disminuye el flujo de aire y la capacidad de enfriamiento se reduce.

1. Saque el Filtro de Aire de la parrilla frontal halando hacia la izquierda (ver Fig. 1).
2. Asegúrese de secar totalmente el filtro antes de colocarlo nuevamente dentro de la unidad.



• LIMPIEZA DEL AIRE ACONDICINADO

La rejilla frontal y la de entrada pueden limpiarse con un paño humedecido en una solución de detergente suave y agua tibia. (Fig. 2)

El gabinete puede ser lavado con jabón suave o detergente y agua tibia, entonces pulido Cera Liquida para aparatos.

Para asegurar una eficacia máxima continuada, deberá comprobar y limpiar periódicamente el serpentín exterior (serpentín del condensador) si está obstruido con hollín o suciedad del ambiente.

• COMO REMOVER LA PARRILLA FRONTAL

1. Saque el Filtro de Aire halando hacia la izquierda.
2. Saque el tornillo que asegura la Parrilla Frontal (ver Fig. 3).
3. Suelte el lado izquierdo primero. Después cuidadosamente hale desde la parte de arriba y empuje hacia la derecha. Las lengüetas están aseguradas (ver Fig. 4).
4. Posicione detenidamente a la rejilla, con el debajo de fondo, y cierre al lugar correspondido.
5. Vuelva a colocar el tornillo de la rejilla delantera y sustituta las perillas.

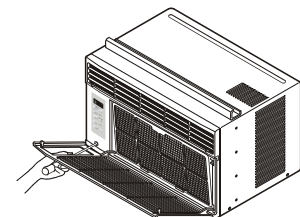
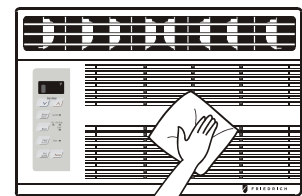


Fig. 3

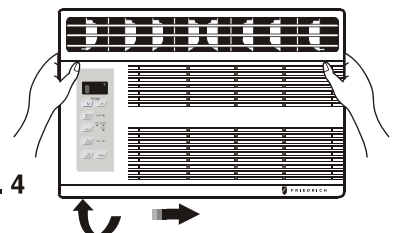
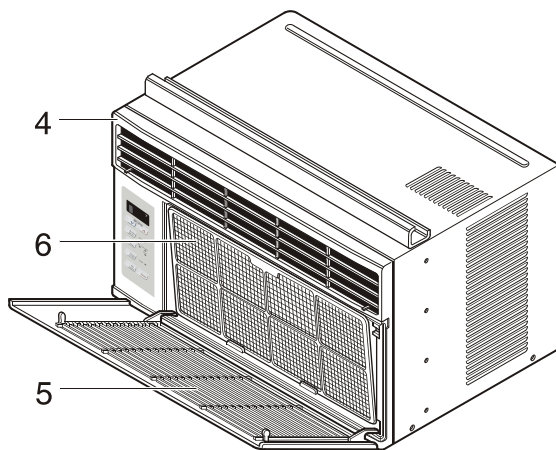
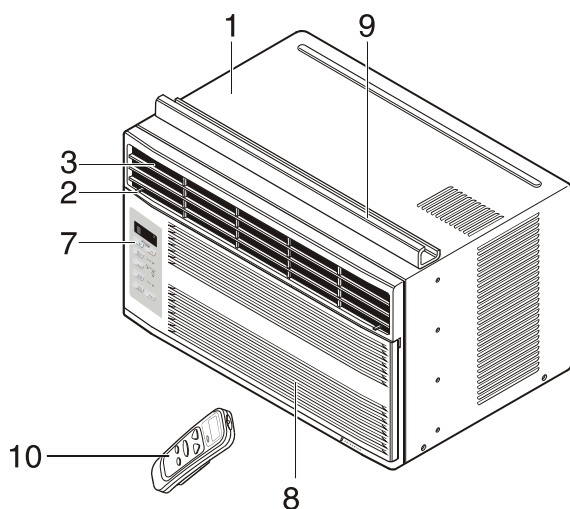


Fig. 4

Requerimientos de la Ventana

Aprender el nombre de las partes antes de la instalación le ayudará a entender el proceso de instalación.

Características



1. GABINETE
2. DEFLECTOR HORIZONTAL DE AIRE (VENTANILLAS VERTICAKLES)
3. SALIDA DE AIRE
4. REJILLA FRONTAL
5. RECOLECTOR DE AIRE (BANDEJA DE ENTRADA)

6. FILTRO DE AIRE
7. TABLEAU DE CONTROLE
8. TOMA DE AIRE
9. GUÍA SUPERIOR
10. CONTROL REMOTO

Instrucciones para la instalación

Requerimientos de la ventana

NOTA: Todas las piezas de soporte deben fijarse firmemente a la madera... o al metal.

1. La unidad está diseñada para ser instalada en una ventana doble con anchos entre 22" y 36". El borde superior e inferior deben de estar lo suficientemente abierto para permitir un espacio vertical de por lo menos 14" de la parte inferior de la ventana hasta la parte superior de la ventana.
2. Si la sobre-ventana estorba colóquese una tira de madera de 2 pulg de ancho a lo largo del descanso de la ventana por la parte que de internamente al cuarto, y en toda su extensión. La tira de madera debe ser lo suficientemente gruesa para elevar el descanso de la ventana, de tal manera que la unidad de aire acondicionado pueda ser instalada sin interferencia del marco de la sobre-ventana (storm window). Ver Fig. 5-2. La parte superior de la tira de madera debe estar aproximadamente a 3/4 de pulg más alta que el marco de la sobre ventana, (storm window) para ayudar a que el agua de condensación de la unidad fluya hacia afuera.
3. Instale una segunda tira de madera (aproximadamente 6 pulg. de largo, 1-1/2 pulg de ancho y mismo espesor que la primeratira de madera) en el centro del descanso exterior, póngala contra la parte posterior del descanso interior. Esto elevará la ménsula L como en la Fig. 5-2.
4. Si la distancia entre "FRANJA DE MADERA MONTADA SOBRE LA PARTE SUPERIOR DEL DESCANSO INTERIOR" y "TIRA DE MADERA PARA LA MENSULA L Y MENSULA DE ANTEPECHO" es mas que 1", dos tiras de modetra no son necesarias.

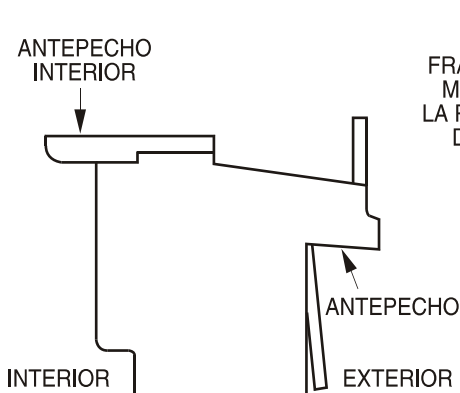


Fig. 5-1

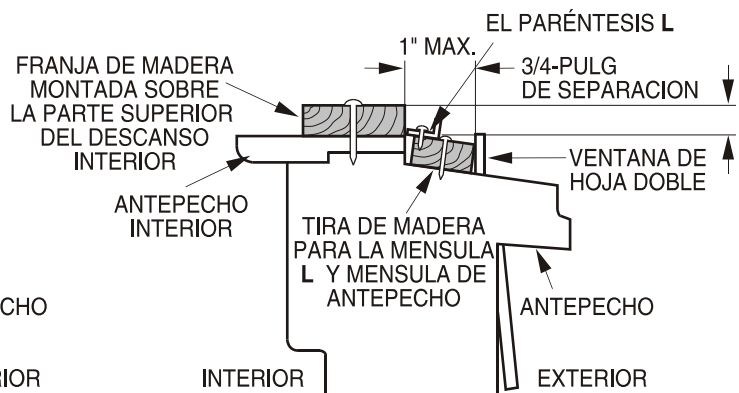
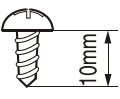
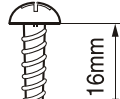
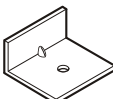
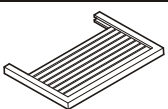





Fig. 5-2

Instalacion

MATERIALES			
TIPO A: 11 (TORNILLO CORTO)	TIPO B: 5 (TORNILLO MEDIANO)	TIPO C: 3 (EL PARÉNTESIS L)	
			
TIPO D: 1 (BANDA ADHESIVA)	TIPO E: 1 (BANDA DEL MARCO)	TIPO F: 2 (PANEL GUÍA)	TIPO G: 1 (SOSTENGA PARÉNTESIS)
(Adhesivo posterior)	(No adhesivo posterior)		
			

A. ANTES DE INSTALAR

1. Introduzca los paneles en los guías del aire acondicionado. Las cortinas atorníllelas con los tornillos (TIPO A), como en la Fig. 6.
2. Corte la tira de sellado de doble cara adhesiva (TIPO D) del mismo ancho que la ventana. Remueva el plástico de la banda adhesiva y colóquela en la parte superior de el marco inferior de la ventana. (Ver Fig. 7)

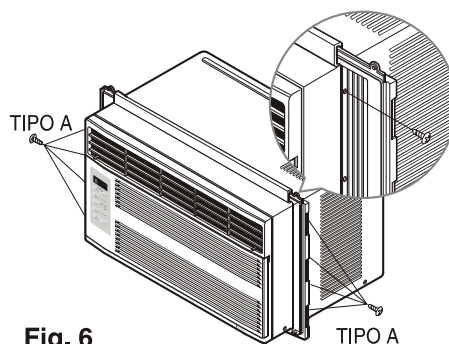


Fig. 6

B. EMPIEZE LA INSTALACION

1. COLOCANDO LA UNIDAD EN LA VENTANA

Abra la ventana y marque LINEA en el centro esta.

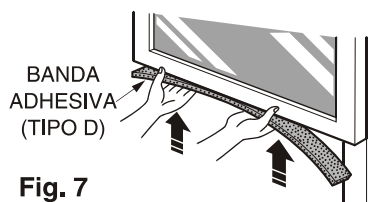


Fig. 7

2. COLOQUE EL MÉNSULA EN L

- a. Instale los soportes L detrás de alféizar interno de la ventana, con el lado corto del soporte como está ilustrado. Utilice 2 tornillos (TIPO A) proveídos.
- b. La ménsula ayuda a que la unidad se encuentre firme. Asegúrese de poner la ménsula en L contra la parte posterior del descanso interior.

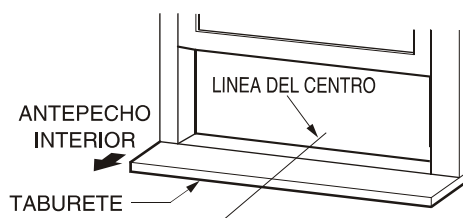


Fig. 8

3. INSTALE EL AIRE ACONDICIONADO A LA VENTANA

- a. Cuidadosamente levante el aire acondicionado y colóquelo en el hoyo de la ventana. Asegúrese de que la guía inferior del aire acondicionado caiga en lugar correcto del ménsula en L. Ver Fig. 9.

PELIGRO

En las siguientes instrucciones, sostenga la unidad firmemente hasta que la parte corrediza de la ventana descansa sobre la parte superior del canal y por detrás del marco de los paneles corredizos. Puede haber lesiones o daños si la unidad se cae de la ventana.

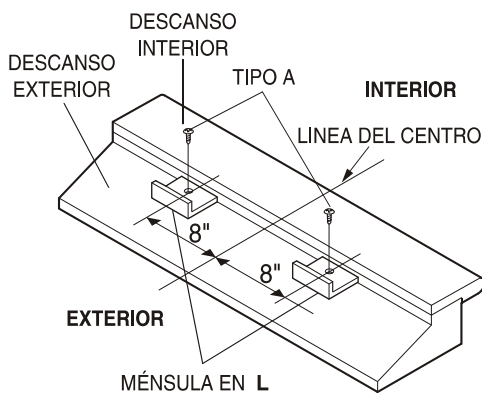


Fig. 9

IMPORTANTE :

Cuando el aire acondicionado sea fijado en el support en L, el aire acondicionado será centrado como pueden observar en la Fig. 10.

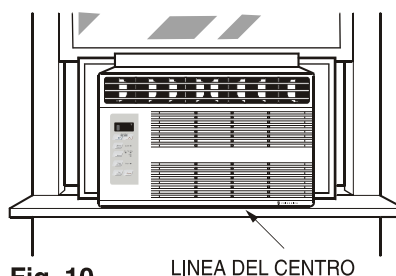


Fig. 10

b. Mientras mantiene el aire acondicionado en posición, cuidadosamente baje el borde de la ventana superior hasta la guía superior del aire acondicionado, como en la Fig.11.

4. ASEGURE LOS PANELES

Extienda los paneles para rellenar los orificios de la ventana usando los 4 tornillos (TIPO B) como en la Fig. 12.

5. INSTALE LA BANDA DEL MARCO

a. Corte la banda del marco del mismo ancho de la ventana. Coloque la banda del marco entre el vidrio y la ventana para prevenir la penetración al cuarto de insectos y aire, como en la Fig. 12.

b. Atornille la cerradura del marco usando un tornillo TIPO A, como en la Fig. 12.

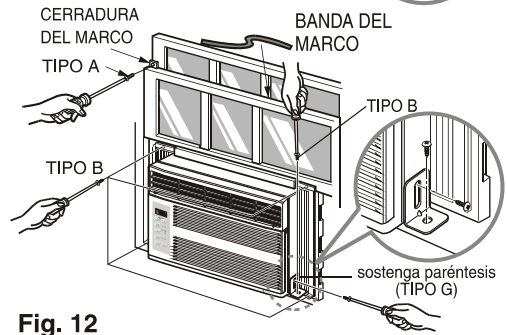
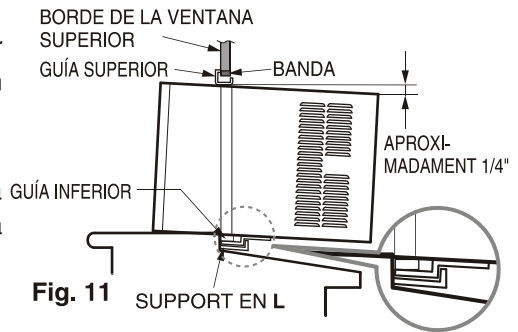
6. a. Quite los tornillos que aseguran el gabinete y cacerola despreciable en el lado correcto.

b. Abroche el paréntesis de suport (TIPO G) usando un tornillo quitado. Conecte el paréntesis de suport (TIPO G) en el alféizal interior de ventana con un tornillo (TIPO B), cuando Fig. 12.

7. **La instalación del aire acondicionado de ventana no estará completa. Vea SEGURIDAD ELECTRICA para conectar la extensión eléctrica al toma corriente.**

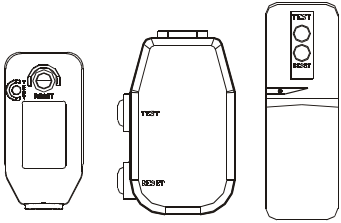
REMOVERLO DE LA VENTANA


Apague el aire acondicionado, desconecte el cordón eléctrico del toma corriente, remueva la cerradura del marco y los tornillos instalados en la parte superior e inferior de los paneles, y guárdelos para reinstalación. Cierre los paneles. Manteniendo el aire acondicionado fuertemente, levante el marco de la ventana, y cuidadosamente, incline el aire acondicionado fuertemente hacia atrás, botando cualquier agua condensada. Deslice el aire acondicionado 1" a la derecha, luego levántelo de la ventana y remuévale la banda del marco de la ventana.



Electrical Safety

Electrical Data

<p>115v~</p> 	<p>El cable de alimentación tiene incorporado dispositivo de interrupción de corriente. La carcasa del enchufe cuenta con un botón de prueba y otro de reinicio. El dispositivo debe comprobarse periódicamente presionando primero el botón TEST y después RESET. Si el botón TEST no se desconecta o si el botón RESET no permanece activo, suspenda el uso del aire acondicionado y póngase en contacto con un técnico de servicio cualificado.</p>
--	--

<p>Utilice el enchufe de la pared</p>	<p>Consumo de Energía</p>
 <p>Standard 125V, enchufe de 3 Líneas de 15A, 125V AC</p>	<p>Utilice un fusible de 15AMP. o un Interruptor de 15AMP.</p>

CONSEJO

El cableado doméstico de aluminio podría ocasionar problemas especiales. Consulte a un electricista calificado.

SEGURIDAD ELECTRICA

NSTRUCCIONES DE CONEXION A TIERRA IMPORTANTES

Su aire acondicionado tiene un enchufe de puesta a tierra de tres clavijas en su cable de alimentación, que debe estar enchufado a una toma de pared adecuada de puesta a tierra de tres clavijas para su protección contra un posible riesgo de descarga eléctrica.

Antes de avisar al Servicio Técnico

Tips para solucionar problemas

(Ahorre tiempo y dinero) Cuando tenga algún problema primero consulte el cuadro que se encuentra abajo y tal vez no necesite llamar para solicitar servicio técnico.

Operación normal

- Durar te días lluviosos o cuando la humedad es alta usted puede escuchar un ruido metálico causa do por agua recogida y arrojada contra el condensador. Esta característica ayuda a remover la humedad y mejorar la eficiencia.
- Durar te días lluviosos o cuando la humedad es alta el agua será recolectada on la base del aparato. Esta agua podrá fluir y será eliminada por el lado externo de la unidad.
- El ventilador podrá correr aún cuando el compresor no esté encendido.

Operación anormal

Probama	Causas posibles	Que hacer
El aire acondicionado no enciende	<ul style="list-style-type: none"> ■ El aire acondicionado está desconectado. ■ El fusible está quemado/el interruptor de energía se ha bloqueado. ■ Falta de energía. 	<ul style="list-style-type: none"> • Asegúrese que ei aire acondicionado está conectado completamente a la fuente de energía. • Cheque los fusibles/interruptor de la casa y reemplace los fusibles o reestablezca el interruptor de energía. • Cuando la energía se reestablezca, espere 3 minutos para encender de nuevo el aire acondicionado. Con esto evitará que se produzca una sobrecarga en el compresor.
El aire acondicionado no enfría corno debiera	<ul style="list-style-type: none"> ■ El flujo de aire esta restringido. ■ Coloque el control de TEMPERATURA en un número más alto. ■ El filtro de aire está sucio. ■ El cuarto aún está caliente. ■ El aire frío se está escapando. ■ El serpentín de refrigeración se ha congelado. 	<ul style="list-style-type: none"> • Asegúrese que no haya cortinas, persianas o muebles bloqueando el frente del aire acondicionado. • Fije el botón de configuración de la temperatura al ajuste más frío de temperatura, 60°F. • Limpie el filtro por lo menos cada dos semanas. Vea la sección de instrucciones de operación. • Cuando usted enciende el aire acondicionado debe esperar un momento para que la habitación se enfríe. • Asegúrese que todas las salidas de aire estén cerradas para que el aire regrese. • Establezca una temperatura más alta.
El aire acondicionado enfría dernasiado	<ul style="list-style-type: none"> ■ El hielo bloquea el flujo de aire y detiene el enfriamiento del cuarto. 	<ul style="list-style-type: none"> • Elija el modo alto del ventilador High Fan o enfriado alto High Cool con el termostato en el número 1 o 2.



F R I E D R I C H

Friedrich Air Conditioning Company

10001 Reunion Place, Suite 500

San Antonio, Tx 78216

800.541.6645

www.friedrich.com

AIRE ACONDICIONADO DE HABITACIÓN

GARANTÍA LIMITADA

EL PRIMER AÑO

CUALQUIER PIEZA: Si cualquier pieza suministrada por FRIEDRICH falla debido a un defecto de fabricación o de material dentro de los doce meses a partir de la fecha original de compra, FRIEDRICH reparará el producto sin costo adicional, siempre cuando el aire acondicionado de la habitación esté accesible para servicio. El propietario será responsable de cualquier costo adicional de mano de obra para desinstalar unidades inaccesibles y/o cargos relacionados con los viajes de una agencia de servicio que excede de 25 millas. Esta garantía sólo será válida 12 meses después de la fecha de compra original.

SEGUNDO A QUINTO AÑO

SISTEMA DE ENFRIAMIENTO: Si el sistema de enfriamiento (para este propósito se define como el compresor, serpentín de evaporador y del condensador, válvula de retorno, válvula de retención, capilar, filtro, secador, todas las tuberías de interconexión) suministrados por FRIEDRICH fallan debido a un defecto de fabricación o de material dentro de los sesenta meses a partir de la fecha original de compra, FRIEDRICH pagará un subsidio de mano de obra y las partes necesarias para reparar el sistema de enfriamiento, asumiendo que FRIEDRICH no pagará el costo del diagnóstico del problema, desinstalación, los gastos de flete y transporte del aire acondicionado a la Agencia de Servicio, y los cargos asociados con la reparación y la reinstalación del sistema de refrigerante sellado. Todos los gastos se harán de la exclusiva responsabilidad del propietario. Esta garantía sólo será válida 60 meses después de la fecha de compra original.

APLICABILIDAD Y LIMITACIONES: Esta garantía sólo es aplicable a las unidades dentro de los cincuenta estados de los EE.UU., Distrito de Columbia y Canadá.

Esta garantía no se aplica a:

1. Filtros de aire o fusibles.
2. Productos en los que los números de modelo y de serie han quitado.
3. Los productos que tienen defectos o daños que son debidos a una mala instalación, cableado, corriente eléctrica, o mantenimiento; accidente, abuso, negligencia, mal uso, incendios, inundaciones, alteraciones, unidades instaladas en una atmósfera corrosiva, retraso en funcionamiento debidos a la guerra, restricciones del gobierno, huelgas, provocados por la escasez de materiales fuera del control de FRIEDRICH, o actos de Dios

OBTENIENDO RESULTADOS DE LA GARANTIA: El servicio será suministrado por el distribuidor autorizado de servicio o la Organización de Servicio de FRIEDRICH en su área. Se podrán encontrar en las Páginas Amarillas. Si se requiere asistencia con la garantía.

LIMITACIONES: ESTA GARANTÍA SE DA EN LUGAR DE CUALQUIER OTRA GARANTÍA Cualquier objeto incluido en esta garantía, CUALQUIER GARANTÍA IMPLÍCITA PARA UN PROPÓSITO EN PARTICULAR Y/O MERCANTIL SERA LIMITADA POR LA DURACION DE ESTA GARANTIA. EL FABRICANTE DECLARA EXPLICITAMENTE Y SE DESLINDA DE CUALQUIER RESPONSABILIDAD POR DAÑOS CONSECUENTES O INCIDENTALES POR INCUMPLIMIENTOS EN ACUERDOS DE CUALQUIER GARANTIA EXPLICITA O IMPLICITA.

La ejecución de la obligación de la garantía de Friedrich está limitada a cualquiera de los siguientes métodos:

1. Reparación de la unidad.
2. Reembolso al cliente por el valor prorrateado de la unidad basado en el período remanente de la garantía de la unidad.
3. Proveyendo el reemplazo de una unidad de igual valor.

El método de cumplimiento de la obligación de la garantía de Friedrich es a la sola discreción de Friedrich Air Conditioning.

AVISO: Algunos estados no permiten limitaciones en la duración de una garantía, o no permiten la limitación o exclusión de consecuencias o daños indirectos o incidentales; por lo que las exclusiones y las limitaciones anteriores no se aplicaran a usted.

OTROS: Esta garantía le da derechos legales específicos para que reciba servicios relacionados con la garantía.

COMPROBANTE DE COMPRA: El propietario debe entregar el comprobante de compra para poder recibir servicios de garantía .

Todas las llamadas de servicio para explicar el funcionamiento de este producto, será responsabilidad del consumidor.

La agencia de servicio autorizado de FRIEDRICH debe de dar servicio de garantía, o FRIEDRICH debe dar autorización antes que se haga la reparación.



F R I E D R I C H

FRIEDRICH AIR CONDITIONING CO.

Visit our web site at www.friedrich.com

10001 Reunion Place, Suite 500 • San Antonio, TX 78216
(800)541-6645



P/NO.: MFL67454801

920-152-00 (10/10)

Free Manuals Download Website

<http://myh66.com>

<http://usermanuals.us>

<http://www.somanuals.com>

<http://www.4manuals.cc>

<http://www.manual-lib.com>

<http://www.404manual.com>

<http://www.luxmanual.com>

<http://aubethermostatmanual.com>

Golf course search by state

<http://golfingnear.com>

Email search by domain

<http://emailbydomain.com>

Auto manuals search

<http://auto.somanuals.com>

TV manuals search

<http://tv.somanuals.com>