

FRIGIDAIRE

All about the

Use & Care

of your Household Blender

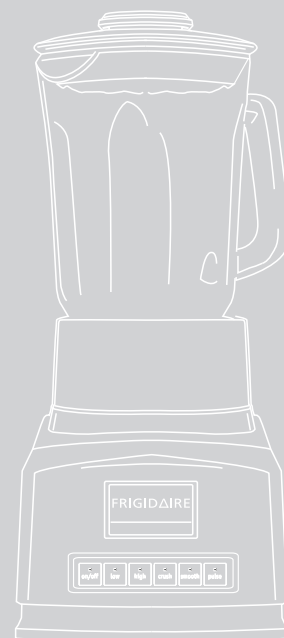


TABLE OF CONTENTS

Important Safeguards	2	Tips for Best Use	7
Parts and Features	3	Problem Solving	8
Prior to Using your Blender	4	Warranty Information	9
How to Assemble Your Blender	4	Spanish User's Manual	10-18
Using your Blender	5	French User's Manual	19-27
Cleaning Your Blender	6		

www.frigidaire.com USA & Canada 1-888-845-7330

900253211-UM (December 2011)

IMPORTANT SAFEGUARDS

When using electrical appliances, basic safety precautions should always be followed, including the following:

1. Read all instructions.
2. Avoid contact with moving parts.
3. To protect against electric shock, do not place cord, plugs, or appliance in water or other liquid.
4. Close supervision is necessary when any appliance is used by or near children.
5. Unplug from outlet when not in use, before putting on or taking off parts, and before cleaning.
6. Do not operate any appliance with a damaged cord or plug, or after the appliance malfunctions, or is dropped or damaged in any manner. Return the appliance to the nearest authorized service center for inspection, repair, or electrical or mechanical adjustment.
7. Do not use outdoors.
8. Do not let cord touch hot surfaces, including the stove, or hang over edge of table or counter where it can be pulled on by children or tripped over unintentionally.
9. Do not place on or near a hot gas or electric burner, or in a heated oven or in a microwave oven.
10. Do not use this appliance for any purpose other than its intended use.
11. Do not submerge the motor unit in water or liquids, to avoid possible electrical shock.
12. The use of attachments including canning jar not recommended or sold by the manufacturer may cause fire, electrical shock, or injury.
13. Place the blender on a dry, even surface.
14. To disconnect blender, press the OFF button to be sure the unit is turned off. Then unplug by grasping the plug and pulling out from the wall outlet. Never unplug by pulling on the cord.
15. Always use your blender with the lid in place.
16. Do not remove the jar from the motor unit while the unit is running.
17. **BLADES ARE SHARP. HANDLE CAREFULLY.**
18. Keep hands and utensils out of container while blending to reduce the risk of severe injury to persons or damage to the blender. A scraper may be used but must be used only when the blender is not running.
19. Never leave blender unattended while it is running.
20. Before using the unit for the first time, wash the blender jar, cutting assembly, locking ring, and lid.
21. Do not place boiling or hot liquids in the jar. Allow liquids to cool before placing in the jar.
22. Do not place the unit near any hot surface, range or electrical burners, or where it could touch any other source of heat.
23. Add liquid ingredients to the jar first; then add dry ingredients to get uniformly mixed.
24. When mixture is heavy or thick, blend for 10 seconds and turn off the unit. Stir the mixture before continuing blending.
25. To reduce the risk of injury, never place cutter-assembly blades on base without jar properly attached.

SAVE THESE INSTRUCTIONS

Consumer Safety Information

THIS UNIT IS FOR HOUSEHOLD USE ONLY.

Polarized Plug

This appliance has a polarized plug (one blade is wider than the other). To reduce the risk of electric shock, this plug will fit in a polarized outlet only one way. If the plug does not fit fully into the outlet, reverse the plug and reinsert. If it still does not fit, contact a qualified electrician. Do not modify the plug in any way.



CAUTION

Short cord Instructions: Your blender appliance is equipped with a short power supply cord as a safety precaution to prevent personal injury or property damage resulting from pulling, tripping or becoming entangled with a longer cord. Do not allow children to use or be near this appliance without close adult supervision. An extension cord is available and may be used if care is exercised in its use. If an extension cord is used, (1) the marked electrical rating of the cord set or extension cord should be at least as great as the electrical rating of the appliance, (2) the cord should be arranged so that it will not drape over the countertop or tabletop where it can be pulled on by children or tripped over unintentionally, (3) If the appliance is of the grounded type, the extension cord should be a grounding 3-wire cord.

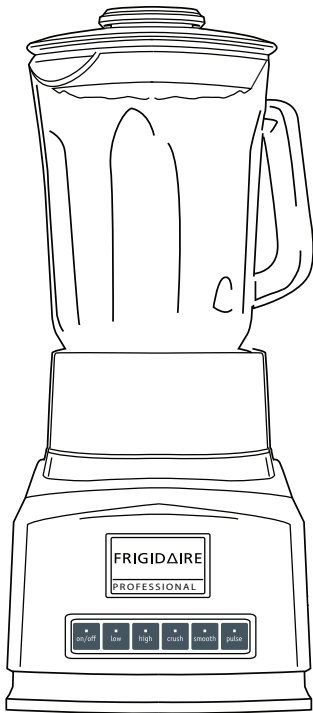


WARNING

Electrical Shock Hazard

Plug the unit into a properly grounded electrical outlet. Failure to follow these instructions can result in death, fire, or electrical shock.

PARTS AND FEATURES



56-Ounce Jar

Your Household Blender comes with a 56-ounce glass jar. This generous-sized jar will handle the blending needs for all your favorite recipes, from chopping nuts to mixing salad dressings to pureeing baby food, and much more.

Pouring Insert

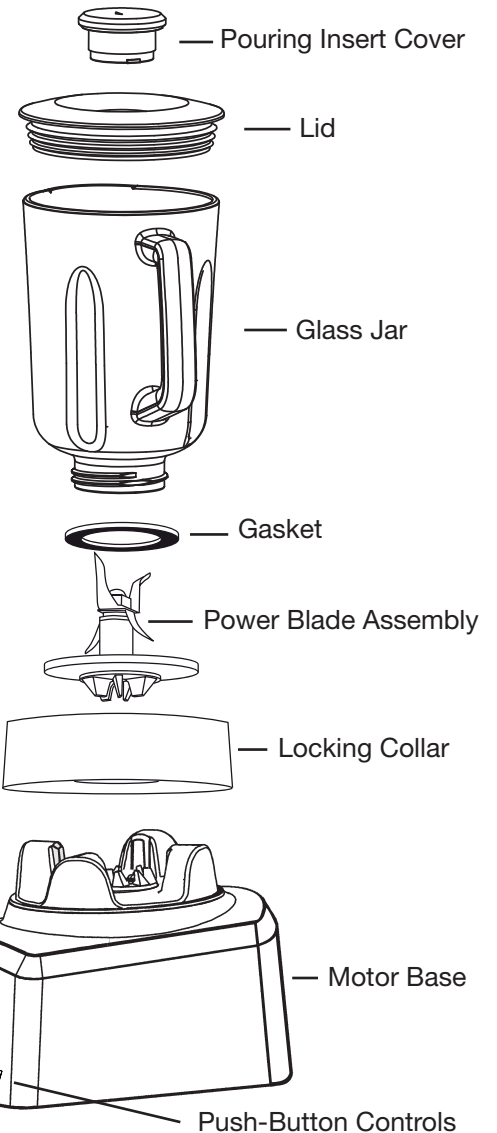
This feature allows you to add ingredients to the jar without removing the lid. Just lift off the pouring insert cover to pour or stream in liquids or drop in dry ingredients while blending.

Automatic 'Off' Feature

Your blender is equipped with an automatic shut-off feature. If the blender control button is left 'On' but the blender is not operated for 30 minutes, the blender will automatically turn off. In the event you forget to turn the appliance off and unplug it after using, this feature will prevent unnecessary power usage.

2 Speeds, 3 Special Functions

'High' and 'Low' settings allow you to blend ingredients at the desired speed. Your blender also includes three special functions – Pulse, Smoothie, and Crush Ice – with each function pre-set to the appropriate speed for these specialized jobs.



Electrical Power

If the electric circuit is overloaded with other appliances, your appliance may not operate properly. It should be operated on a separate electric circuit from other appliances.

Product Specifications

Model Number	FPJB56B7MS
Volts	120V AC only
Rated Wattage	600 watts
Hertz	60 HZ
Dimensions	Width 7 1/16 in. (17.9 cm) Depth 9 in. (22.9 cm) Height 16 1/4 in. (41.4 cm)
Capacity	56 ounces (1650 ml)

PRIOR TO USING YOUR BLENDER

CAUTION

Unpack carefully. **Blades are very sharp!**

1. Carefully unpack the contents from the box. Check to make sure all pieces (as shown on page 3) are accounted for and that the blender appears to be free of any physical damage. If you discover any damage or missing parts, please contact our customer service department at 1-888-845-7330 prior to plugging in the unit.
2. Remove any printed material or tape from the blender. Inspect the jar to be sure there are no packaging materials or foreign materials inside.
3. After inspection, place the blender motor base upright on a countertop or table.
4. Before using, wash the lid, pouring insert cover, glass jar, gasket, and power blade assembly in warm soapy water or in a dishwasher. (To disassemble, see instructions on page 6.) Dry thoroughly.
5. Wipe the motor base with a damp cloth.
6. Assemble the blender following the instruction on this page.

HOW TO ASSEMBLE YOUR BLENDER

CAUTION

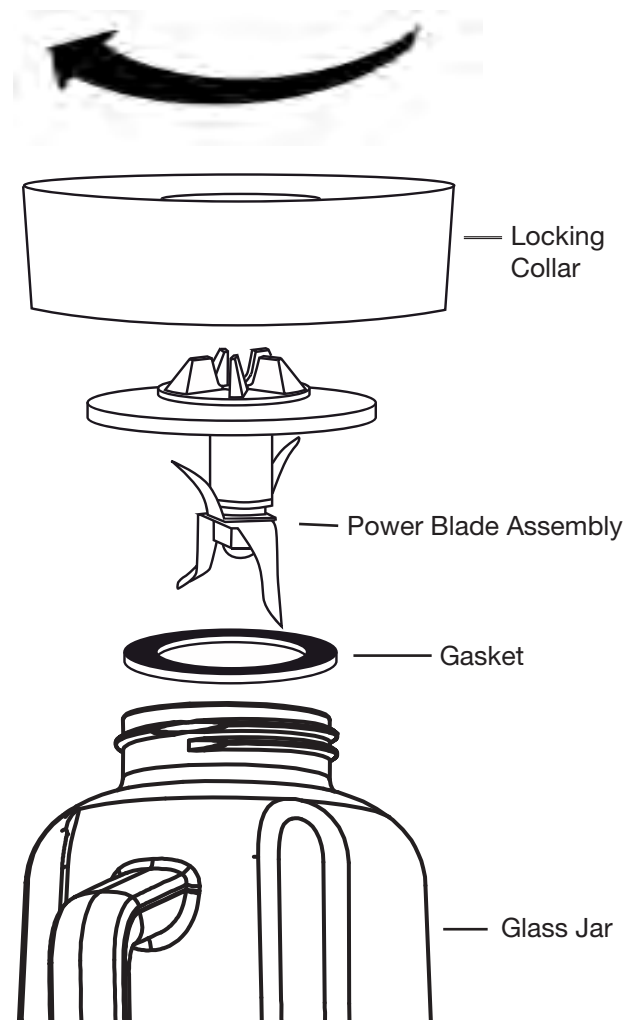
Blades are very sharp.

When handling the power blade assembly, hold assembly by its base. Avoid handling blades with your fingers.

1. Place the motor base on a flat, dry surface.
2. Assure that the motor is turned off and the power cord is unplugged.
3. Turn the glass jar upside down on a flat, sturdy surface.
4. Place the gasket over the jar bottom opening.
5. Insert the power blade assembly into the jar opening.
6. Place the locking collar on top of the blade assembly and twist clockwise to lock firmly.
7. Turn the jar upright and place it on the motor base.
8. Place the lid on top of the jar. Insert the pouring insert cover into the blender lid and turn until it locks.
9. Plug the power cord into a 120-volt outlet. Your blender is now ready to use.

CAUTION

Add food or liquid while the blender is running *only* by lifting the pouring insert cover and dropping in the ingredients. Never remove the lid while blender is running.



To Use Your Blender

- Place food in blender jar, being careful not to overfill.
- Press the ON/OFF button. The clear LED indicator light will illuminate, indicating that the blender is turned on but no speed has been selected.
- Press the 'Low' or 'High' button to select your desired processing speed, or choose one of 3 special functions.

Choosing Speed

Steps

1. Press ON/OFF. Light will indicate the blender is on.
2. Press the desired speed. Light will indicate the speed selected.
3. To pause, press the speed button again. The unit will stop blending and remain on in standby mode.
4. Press the speed button again to resume blending.
5. When finished, press ON/OFF to turn off the blender. Light will go off.

Press



Tip: You can change the speed while the blender is running without turning the unit off. Just press the selected speed to pause; then press another speed to resume blending.

When Finished Blending

- Turn the unit off and unplug from electrical outlet.
- Lift the jar *straight up* and off the motor base – do not twist the jar or locking collar when removing from the motor base.
- After cleaning, store the jar upright, in or alongside the motor base, with the lid and pouring insert cover in place. Do not place other items on top of stored blender.



CAUTION

Do not blend above maximum capacity.

When using the blender with the jar filled at or near or maximum capacity, rest your hand on the blender lid to stabilize it. This will help avoid any movement or displacement while blending.

Pulse Function

Use the 'Pulse' button when you need a short burst of power. This function is useful for chopping nuts, for breaking up large pieces of food, or for foods that require minimal blending.

Steps

1. Press ON/OFF. Light will indicate the blender is on.
2. Press 'Pulse.' Light will indicate the function selected.
3. Press ON/OFF to turn off the blender. Light will go off.

Press



Smoothie Function

This function lets you prepare your favorite smoothie effortlessly. Using this function will give you a burst of power to get the ice crushed and your smoothie blended to the desired consistency.

Steps

1. Press ON/OFF. Light will indicate the blender is on.
2. Press 'Smooth.' Light will indicate the function selected.
3. When you get the consistency desired, press ON/OFF to turn off the blender. Light will go off.

Press



Crush Ice Function

This function lets you crush ice without adding liquid. It works in a 'pulse' mode, giving the burst of power to crush ice as desired. Load ice cubes in the blender jar and process until ice is crushed to desired fineness. For best results, work in small batches.

Steps

1. Press ON/OFF. Light will indicate the blender is on.
2. Press 'Crush.' Light will indicate the function selected.
3. When finished, press ON/OFF to turn off the blender. Light will go off.

Press

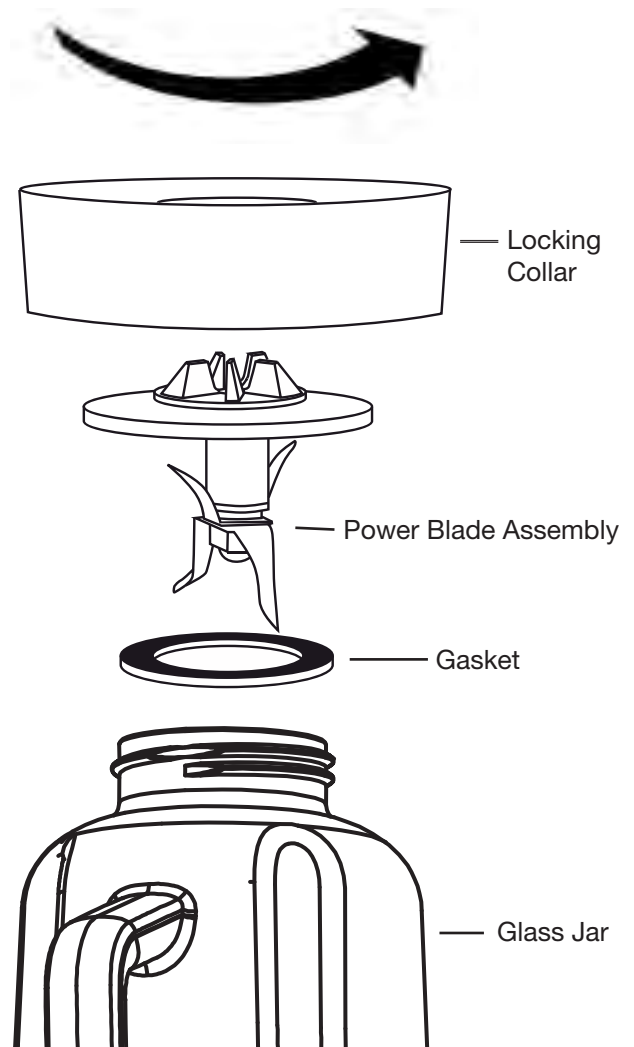


CLEANING YOUR BLENDER

➔ IMPORTANT

Unplug the blender from electrical outlet before cleaning.

- To disassemble, empty the jar and turn upside down. Turn locking collar counter-clockwise to unlock. Lift off locking collar, power blade assembly and gasket.
- **Handle the power blade assembly carefully.** It is SHARP and may cause injury. Do not attempt to remove blades from cutting assembly.
- Wipe the motor base with a soft damp cloth and dry it thoroughly.
- Wipe the power cord with a damp cloth.
- Wash the jar, lid, pouring insert cover, gasket, blade assembly and locking collar in warm soapy water. If there are any stubborn foods, use a brush to free residual food. Rinse all parts and dry thoroughly.
- If you desire, the jar can be washed using the dishwasher on a normal cycle, in upside-down position. Lid, pouring insert cover, gasket, power blade assembly and locking collar are also top-rack dishwasher-safe.
- You may also wash the power blade assembly by adding 1 cup of warm soapy water to blender jar. Operate on 'Low' speed for 30 seconds. Empty jar. Add clear warm water and operate another 30 seconds to rinse. Carefully disassemble parts, rinse in clear warm water and dry thoroughly.
- For stubborn or strong stains and odors: Soak the jar and lid for 5 minutes in a detergent solution. Rinse with clear warm water and dry thoroughly.



⚠ CAUTION

Never submerge the motor base in water or another liquid. Never place the motor base in a dishwasher. The motor base is designed to be resistant to liquids, but must not be submerged in water.



⚠ CAUTION

- Never use scouring pads or abrasive cleaners on the motor base, as this can scratch or damage the finish.
- Do not use bleach solutions to clean the motor base, as bleach can damage the stainless steel finish.



DO:

- Use 'Low' button for drinks or cocktails, mayonnaise, dressings, marinades, and any food which needs to get batters with consistency.
- Use 'High' button for pureeing soups or liquefying any food.
- Use 'Pulse' button to get a quick burst of power for a short period of time, such as for chopping onions, nuts or grains.
- Use 'Crush' button to crush ice. For best results, work in small batches.
- For even results, cut foods into 1/2- to 1-inch cubes before processing.
- For uniformly mixed ingredients, add liquids to the jar first; then add remaining solid ingredients.
- Remove the pouring insert cover to add ingredients without interrupting blender operation. Put the pouring insert cover back in place after ingredients have been added.
- Operate the blender with the lid on.
- Make sure the locking collar is tightly attached to the jar before operating blender.
- Remove locking collar and power blade assembly before cleaning.
- When blending thick mixtures, turn blender off to scrape sides of the blender with a spatula.
- When chopping dry foods such as fresh herbs or bread crumbs, make sure the jar and power blade assembly are completely dry.
- If food sticks to the sides of the blender jar, use the 'Pulse' button to work in short bursts.

DO NOT:

- Do not blend heavy mixtures for longer than 1 minute. Press the speed button (Low or High) to pause and allow mixture to rest; then press again to restart.
- Do not use blender jar as storage for liquids or mixtures.
- Do not use your blender without the lid on tightly. If you need to add ingredients, remove the pouring insert cover and pour or drop in ingredients. Replace pouring insert cover after adding ingredients.
- Do not place very hot or boiling liquids in the jar. Allow food to cool before placing in the jar.
- Do not remove the jar while the motor is running.
- Do not use the blender to knead dough, mash potatoes, or create meringues with egg whites. The blender is not designed for these tasks.
- Do not overload the blender. This can cause the motor to stall.
- Do not over-blend your food. Most desired results are obtained in a few seconds.
- Do not use any utensil inside the jar while blender is running.
- Do not remove locking collar while the jar is on the motor base. Remove jar from the base and twist counter-clockwise to remove the locking collar.
- Do not use any accessories not recommended by the manufacturer. This could result in injury.
- Do not place hands inside the blender when the blender is plugged into an outlet.

PROBLEM SOLVING

Problem	Solutions
Blender does not turn on.	<ul style="list-style-type: none">• Check to be sure the power plug is securely inserted into the outlet.• Make sure the ON/OFF pad is illuminated. If not, press ON/OFF to turn blender on.• Touch the desired speed.• If blender still does not turn on, check for a blown fuse or reset the circuit breaker.
Food is spattering outside the jar.	<ul style="list-style-type: none">• Be sure the lid is on the jar securely before blending.• Operate the blender on low setting while you remove the pouring insert cover to add new ingredients.• Do not overload the jar. If the jar is too full, turn the blender off and remove some of the mix.
The motor base is bogging down.	<ul style="list-style-type: none">• Be sure the blender is not overloaded. If the jar is too full or mixture is very thick, turn off the blender, remove some of the mix, and re-start the process.• Cut foods into even-sized pieces, 1/2- to 1-inch cubes, before processing.• When using the 'Smooth' or 'Crush' setting, break any large chunks of ice into smaller pieces before adding to blender.
Blender jar is leaking at the bottom.	<ul style="list-style-type: none">• Be sure the gasket is in place between the jar and the power blade assembly.• Check the locking collar to be sure it is aligned properly and securely fastened to blender jar.

SMALL DOMESTIC APPLIANCE WARRANTY

Your appliance is covered by a one-year limited warranty. For one year from your original date of purchase, Electrolux will pay all costs for repairing or replacing any parts of this appliance that prove to be defective in materials or workmanship when such appliance is installed, used and maintained in accordance with the provided instructions.

Exclusions **This warranty does not cover the following:**

1. Products with original serial numbers that have been removed, altered or cannot be readily determined.
2. Product that has been transferred from its original owner to another party or removed outside the USA or Canada.
3. Rust on the interior or exterior of the unit.
4. Products purchased "as-is" are not covered by this warranty.
5. Food loss due to any refrigerator or freezer failures.
6. Products used in a commercial setting.
7. Service calls which do not involve malfunction or defects in materials or workmanship, or for appliances not in ordinary household use or used other than in accordance with the provided instructions.
8. Service calls to correct the installation of your appliance or to instruct you how to use your appliance.
9. Expenses for making the appliance accessible for servicing, such as removal of trim, cupboards, shelves, etc., which are not a part of the appliance when it is shipped from the factory.
10. Service calls to repair or replace appliance light bulbs, air filters, water filters, other consumables, or knobs, handles, or other cosmetic parts.
11. Surcharges including, but not limited to, any after hour, weekend, or holiday service calls, tolls, ferry trip charges, or mileage expense for service calls to remote areas, including the state of Alaska.
12. Damages to the finish of appliance or home incurred during installation, including but not limited to floors, cabinets, walls, etc.
13. Damages caused by: services performed by unauthorized service companies; use of parts other than genuine Electrolux parts or parts obtained from persons other than authorized service companies; or external causes such as abuse, misuse, inadequate power supply, accidents, fires, or acts of God.

DISCLAIMER OF IMPLIED WARRANTIES; LIMITATION OF REMEDIES

CUSTOMER'S SOLE AND EXCLUSIVE REMEDY UNDER THIS LIMITED WARRANTY SHALL BE PRODUCT REPAIR OR REPLACEMENT AS PROVIDED HEREIN. CLAIMS BASED ON IMPLIED WARRANTIES, INCLUDING WARRANTIES OF MERCHANTABILITY OR FITNESS FOR A PARTICULAR PURPOSE, ARE LIMITED TO ONE YEAR OR THE SHORTEST PERIOD ALLOWED BY LAW, BUT NOT LESS THAN ONE YEAR. ELECTROLUX SHALL NOT BE LIABLE FOR CONSEQUENTIAL OR INCIDENTAL DAMAGES SUCH AS PROPERTY DAMAGE AND INCIDENTAL EXPENSES RESULTING FROM ANY BREACH OF THIS WRITTEN LIMITED WARRANTY OR ANY IMPLIED WARRANTY. SOME STATES AND PROVINCES DO NOT ALLOW THE EXCLUSION OR LIMITATION OF INCIDENTAL OR CONSEQUENTIAL DAMAGES, OR LIMITATIONS ON THE DURATION OF IMPLIED WARRANTIES, SO THESE LIMITATIONS OR EXCLUSIONS MAY NOT APPLY TO YOU. THIS WRITTEN WARRANTY GIVES YOU SPECIFIC LEGAL RIGHTS. YOU MAY ALSO HAVE OTHER RIGHTS THAT VARY FROM STATE TO STATE.

If You Need Service

Keep your receipt, delivery slip, or some other appropriate payment record to establish the warranty period should service be required. If service is performed, it is in your best interest to obtain and keep all receipts. Service under this warranty must be obtained by contacting Electrolux at the addresses or phone numbers below.

This warranty only applies in the USA and Canada. In the USA, your appliance is warranted by Electrolux Major Appliances North America, a division of Electrolux Home Products, Inc. In Canada, your appliance is warranted by Electrolux Canada Corp. Electrolux authorizes no person to change or add to any obligations under this warranty. Obligations for service and parts under this warranty must be performed by Electrolux or an authorized service company. Product features or specifications as described or illustrated are subject to change without notice.

USA
1.888-845-7330
Electrolux Home Products, Inc.
10200 David Taylor Drive
Charlotte, NC 28262



Canada
1.888-845-7330
Electrolux Canada Corp.
5855 Terry Fox Way
Mississauga, Ontario, Canada
L5V 3E4
Printed in China

FRIGIDAIRE

Todo acerca del

Uso y Cuidado

de su Licuadora para el Hogar



ÍNDICE

Precauciones importantes	11	Limpieza de su licuadora	15
Piezas y funciones	12	Consejos para un mejor uso	16
Antes de usar su licuadora	13	Solución de problemas	17
Cómo armar su licuadora	13	Información sobre la garantía	18
Cómo usar su licuadora.....	14		

PRECAUCIONES IMPORTANTES

Cuando se usan aparatos eléctricos siempre se deben tomar precauciones básicas, incluyendo las siguientes:

1. Lea todas las instrucciones.
2. Evite el contacto con las piezas móviles.
3. Para protegerse contra descargas eléctricas, no ponga el cable, los enchufes, o el aparato en agua ni en otro líquido.
4. Es necesario ejercer una atenta supervisión cuando cualquier aparato electrodoméstico sea usado por o cerca de los niños.
5. Desconecte el cable del tomacorriente cuando no esté en uso, antes de poner o quitar las piezas, y antes de limpiarlas.
6. No haga funcionar ningún aparato electrodoméstico con un cable o enchufe deteriorados, ni después de un mal funcionamiento del aparato, ni de que se caiga o estropee de alguna manera. Devuelva el electrodoméstico al centro de servicio autorizado más cercano para su inspección, reparación, o ajuste eléctrico o mecánico.
7. No lo use en exteriores.
8. No permita que el cable toque superficies calientes, incluyendo la estufa, ni que cuelgue sobre el borde de la mesa o del mostrador donde pueda ser jalado por los niños o se pueda tropezar con él involuntariamente.
9. No lo coloque en o cerca de una hornilla caliente de gas o eléctrica, o en un horno caliente o en un microondas.
10. No use este electrodoméstico para ningún otro objetivo que no sea su uso previsto.
11. Con el fin de evitar posibles descargas eléctricas, no sumerja la unidad del motor en agua ni líquidos.
12. El uso de accesorios no recomendados o vendidos por el fabricante puede provocar incendios, descargas eléctricas, o lesiones.
13. Coloque la licuadora en una superficie seca y pareja.
14. Para desconectar la licuadora, apriete el botón OFF para asegurarse que la unidad esté apagada. Luego desconecte cogiendo el enchufe y sacándolo del tomacorriente de la pared. Nunca desconecte jalando del cable.
15. Siempre use su licuadora con la tapa en su lugar.
16. No quite el vaso de la unidad del motor mientras la unidad esté en operación.
17. **LAS CUCHILLAS SON AFILADAS. MANÉJELAS CON CUIDADO.**
18. Mantenga las manos y los utensilios fuera del contenedor mientras licúa a fin de reducir el riesgo de lesiones severas a las personas, o daños a la licuadora. Se puede usar un raspador, pero debe usarse únicamente cuando la licuadora esté apagada.
19. Nunca deje la licuadora desatendida mientras esté funcionando.
20. Antes de usar la unidad por primera vez, lave el vaso de la licuadora, el ensamble de las cuchillas, el anillo de sellado y la tapa.
21. No coloque líquidos hirviendo ni calientes en el vaso. Deje que se enfríen los líquidos antes de vaciarlos en el vaso.
22. No coloque la unidad cerca de ninguna superficie caliente, estufa u hornillas eléctricas, o donde pudiera tocar alguna otra fuente de calor.
23. Agregue primero los ingredientes líquidos al vaso; luego agregue los ingredientes secos para que queden uniformemente mezclados.
24. Cuando la mezcla sea pesada o espesa, licúe durante 10 segundos y apague la unidad. Revuelva la mezcla antes de continuar licuando.
25. Para reducir el riesgo de lesiones, nunca coloque el ensamble de las cuchillas en la base sin que el vaso esté correctamente adherido.

GUARDE ESTAS INSTRUCCIONES Información de Seguridad para el Consumidor

ESTA UNIDAD ES PARA USO DOMÉSTICO ÚNICAMENTE. Enchufe polarizado

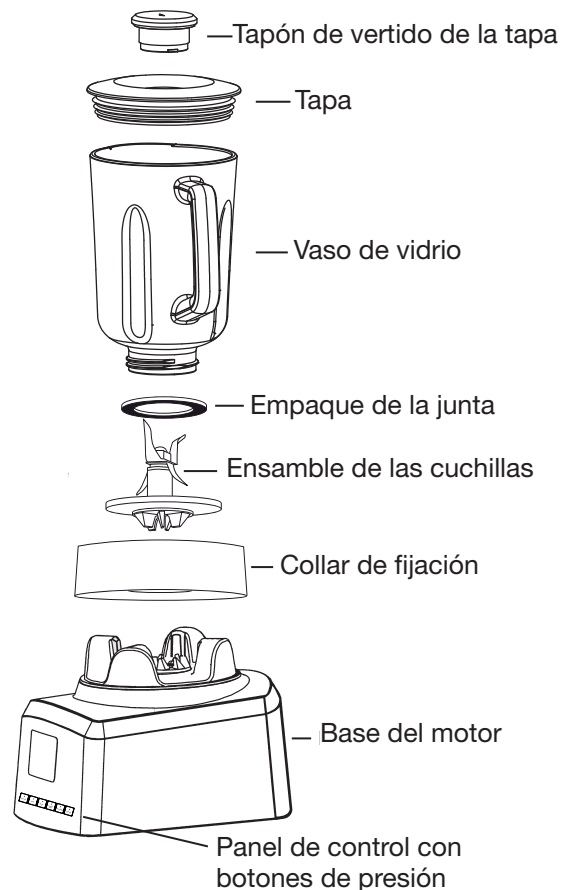
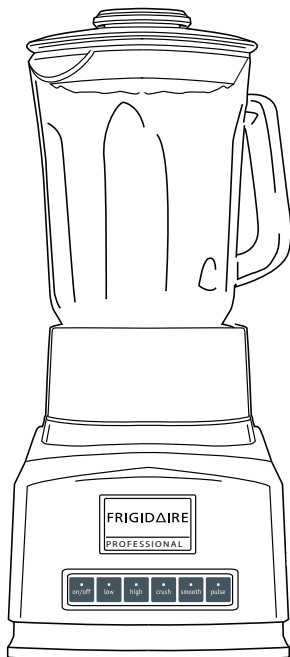
Este aparato tiene un enchufe polarizado (uno de los contactos es más ancho que el otro). Para reducir el riesgo de descargas eléctricas, este enchufe encaja en un tomacorriente polarizado sólo de una manera. Si el enchufe no encaja bien en el tomacorriente, déle la vuelta al enchufe y reinsértelo. Si todavía no encaja, llame a un electricista calificado. No haga ningún cambio al enchufe.



PRECAUCIÓN

Instrucciones para cable corto: Su licuadora está equipada con un cable corto de suministro de energía como medida de seguridad para evitar lesiones personales o daños a la propiedad a resultas de haberlo jalado, haberse tropezado o enredado con un cable más largo. No permita que los niños usen o estén cerca de este electrodoméstico sin la atenta supervisión de un adulto. Está disponible un cable de extensión y puede ser usado si se tiene cuidado durante su uso. Si se utiliza un cable de extensión, (1) la especificación eléctrica marcada en los cables o en el cable de extensión deberá ser al menos igual que la especificación eléctrica del electrodoméstico, (2) el cable deberá ser colocado de modo que no cuelgue sobre la superficie del mostrador o de la mesa, donde pueda ser jalado por los niños o se pueda tropezar con él involuntariamente, (3) si el electrodoméstico es del tipo de conexión a tierra, el cable de extensión deberá ser un cable de 3 hilos con conexión a tierra.

PIEZAS Y FUNCIONES



Vaso de 56 onzas

Su Licuadora para el Hogar viene con un vaso de vidrio de 56 onzas. Este vaso de tamaño generoso manejará las necesidades de licuado de todas sus recetas favoritas, desde el picado de nueces hasta la mezcla de aderezos de ensaladas, hasta hacer puré para la comida de los bebés, y mucho más.

Tapón de vertido

Esta función le permite agregar ingredientes al vaso sin quitar la tapa. Sólo levante el tapón de vertido para verter o introducir líquidos o agregar ingredientes secos mientras licúa.

Función de apagado automático

Su licuadora está equipada con una función de apagado automático. Si el botón de control de la licuadora se queda en 'On' (encendido) pero la licuadora no opera durante 30 minutos, la licuadora se apagará automáticamente. En caso de que haya olvidado apagar el electrodoméstico y desconectarlo después de usarlo, esta función impedirá el uso innecesario de energía eléctrica.

2 velocidades, 3 funciones especiales

Los ajustes 'Alto' (High) y 'Bajo' (Low) le permiten licuar ingredientes a la velocidad deseada. Su licuadora también incluye tres funciones especiales –Impulso al tacto, Batido, y Triturado de hielo – con cada función predeterminada a la velocidad apropiada para estos usos especializados.

Energía eléctrica

Si el circuito eléctrico está sobrecargado con otros electrodomésticos, su electrodoméstico no podrá funcionar correctamente. Deberá ser operado en un circuito eléctrico separado de otros electrodomésticos.

⚠ ADVERTENCIA

Riesgo de descarga eléctrica

Enchufe la unidad en un tomacorriente correctamente conectado a tierra.

No seguir estas instrucciones puede causar la muerte, incendio, o descarga eléctrica.

Especificaciones del producto

Número de modelo	FPJB56B7MS
Voltios	120V corriente alterna únicamente
Potencia nominal	600 vatios
Hertz	60 HZ
Dimensiones	Ancho 7 1/16 pulg. (17.9 cm) Profundidad 9 pulg. (22.9 cm) Altura 16 1/4 pulg. (41.4 cm)
Capacity	56 onzas (1650 ml)

ANTES DE USAR SU LICUADORA



PRECAUCIÓN

Desempaque con cuidado. ¡Las cuchillas son muy afiladas!

1. Desempaque cuidadosamente el contenido de la caja. Revise para asegurarse de que viene con todas las piezas (como se muestra en la página 12) y que la licuadora no tenga ninguna avería física. Si descubre algún daño o piezas faltantes, por favor comuníquese con nuestro departamento de servicio al cliente al teléfono 1-888-845-7330 antes de conectar la unidad.
2. Quite de la licuadora cualquier material impreso o cinta. Inspeccione el vaso para asegurarse de que no haya ningún material de embalaje o materiales extraños dentro del mismo.
3. Después de la inspección, coloque la base del motor de la licuadora verticalmente sobre un mostrador o una mesa.
4. Antes de usar, lave la tapa, el tapón de vertido, el vaso de vidrio, el empaque de la junta y el ensamble de las cuchillas, en agua caliente con jabón o en un lavavajillas. (Para desarmar, vea las instrucciones de la página 15.) Séquelos muy bien.
5. Limpie la base del motor con un paño húmedo.
6. Ensamble la licuadora siguiendo las instrucciones de esta página.

CÓMO ARMAR SU LICUADORA



PRECAUCIÓN

Las cuchillas son muy afiladas.

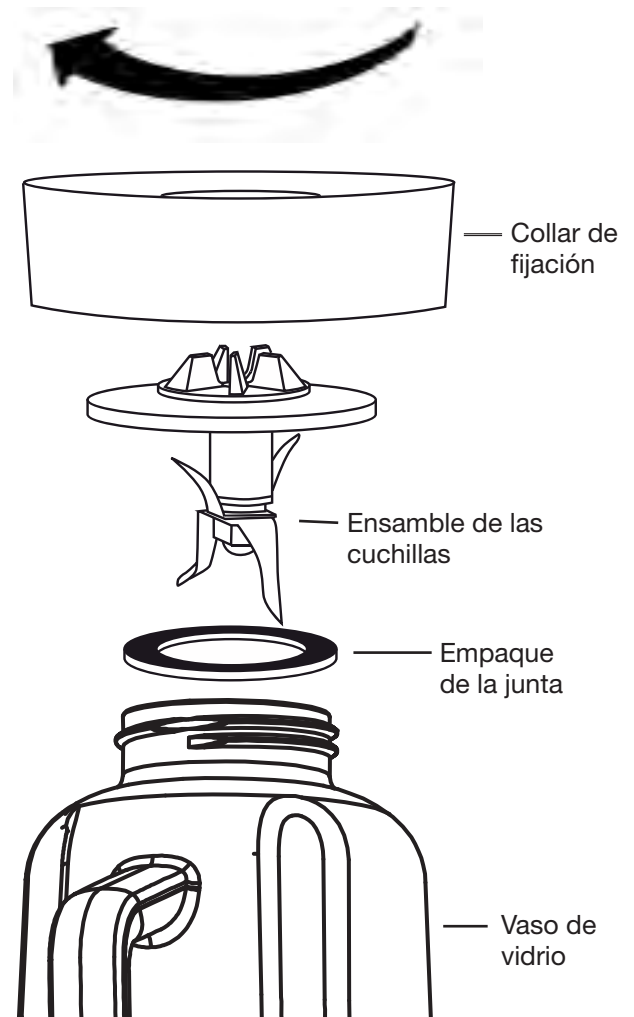
Cuando maneje el ensamble de las cuchillas, sosténgalo por su base. Evite manejar las cuchillas con los dedos.

1. Coloque la base del motor en una superficie plana y seca.
2. Asegúrese de que el motor esté apagado y el cable de alimentación esté desenchufado.
3. Ponga el vaso de vidrio boca abajo sobre una superficie plana y firme.
4. Coloque la junta sobre la abertura del fondo del vaso.
5. Inserte el ensamble de las cuchillas en la abertura del vaso.
6. Coloque el collar de seguridad encima del ensamble de las cuchillas y enrósquelo en el sentido de las agujas del reloj hasta que se asegure firmemente.
7. Voltee el vaso boca arriba y colóquelo en la base del motor.
8. Coloque la tapa encima del vaso. Coloque el tapón de vertido en la tapa de la licuadora y déle vuelta hasta que se asegure.
9. Conecte el cable de alimentación en un tomacorriente de 120 voltios. Su licuadora ya está lista para usarse.



PRECAUCIÓN

Para agregar alimentos o líquidos mientras la licuadora está en operación, *únicamente* necesita levantar el tapón de vertido e introducir los ingredientes. Nunca quite la tapa mientras la licuadora esté funcionando.








CÓMO USAR SU LICUADORA

Para usar su licuadora:

- Ponga el alimento en el vaso de la licuadora, procurando no llenarlo demasiado.
- Presione el botón ON/OFF. La luz clara del indicador LED se iluminará, indicando que la licuadora está encendida pero no se ha seleccionado ninguna velocidad.
- Presione el botón 'Bajo' o 'Alto' para seleccionar la velocidad de procesamiento que desee, o elija una de 3 funciones especiales.

Elección de la velocidad

- | Pasos | Presionar |
|---|---|
| 1. Presione ON/OFF. La luz indicará que la licuadora está encendida. |  |
| 2. Presione la velocidad deseada. La luz indicará la velocidad seleccionada. |  |
| 3. Para hacer una pausa, presione otra vez el botón de velocidad. La unidad dejará de licuar y permanecerá encendida en modo de espera. |  |
| 4. Presione otra vez el botón de velocidad para reanudar el licuado. |  |
| 5. Cuando termine, presione ON/OFF para apagar la licuadora. La luz se apagará. |  |

Consejo: Usted puede cambiar la velocidad mientras la licuadora está en funcionamiento sin apagar la unidad. Simplemente presione la velocidad seleccionada para hacer una pausa; luego presione otra velocidad para reanudar el licuado.

Cuando termine de licuar




- Apague la unidad y desconéctela del tomacorriente.
- Levante el vaso *verticalmente* y fuera de la base del motor – no gire el vaso ni el collar de seguridad cuando los retire de la base del motor.
- Después de la limpieza, guarde el vaso boca arriba, en o junto a la base del motor, con la tapa y el tapón de vertido en su lugar. No coloque otros artículos encima de la licuadora cuando esté guardada.

PRECAUCIÓN

No licúe por encima de la capacidad máxima. Cuando use la licuadora con el vaso lleno a, o cerca de, su capacidad máxima, apoye su mano sobre la tapa de la licuadora para estabilizarla. Esto ayudará a evitar cualquier movimiento o desplazamiento mientras licúa.




Función de impulso al tacto

Use el botón 'Impulso al tacto' (Pulse) cuando necesite un ciclo corto de fuerza. Esta función es útil para triturar nueces, para desmenuzar pedazos grandes de alimentos, o para alimentos que requieren un licuado mínimo.

- | Pasos | Presionar |
|--|---|
| 1. Presione ON/OFF. La luz indicará que la licuadora está encendida. |  |
| 2. Presione 'Impulso al tacto' (Pulse). La luz indicará la función seleccionada. |  |
| 3. Presione ON/OFF para apagar la licuadora. La luz se apagará. |  |




Función de batido

Esta función le permite preparar su batido favorito fácilmente. El uso de esta función permite triturar el hielo y mezclar su batido a la consistencia deseada.

- | Pasos | Presionar |
|---|---|
| 1. Presione ON/OFF. La luz indicará que la licuadora está encendida. |  |
| 2. Presione 'Smooth' (Batido). La luz indicará la función seleccionada. |  |
| 3. Cuando obtenga la consistencia deseada, presione ON/OFF para apagar la licuadora. La luz se apagará. |  |

Función de triturado de hielo

Esta función le permite triturar hielo sin agregar líquidos. Funciona en modo 'Impulso al tacto' (Pulse), dando un ciclo de fuerza para triturar el hielo según lo deseado. Cargue cubitos de hielo en el vaso de la licuadora y procese hasta que el hielo quede triturado a la consistencia deseada. Para mejores resultados, hágalo en cantidades pequeñas.

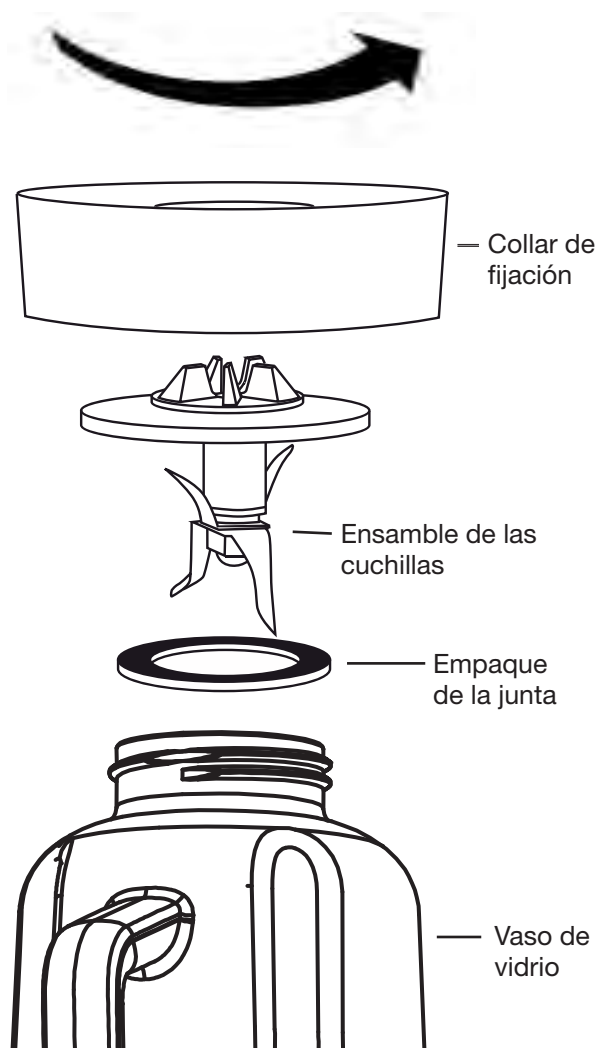
- | Pasos | Presionar |
|---|---|
| 1. Presione ON/OFF. La luz indicará que la licuadora está encendida. |  |
| 2. Presione 'Crush' (Triturar). La luz indicará la función seleccionada. |  |
| 3. Cuando termine, presione ON/OFF para apagar la licuadora. La luz se apagará. |  |

LIMPIEZA DE SU LICUADORA

➔ IMPORTANTE

Desenchufe la licuadora del tomacorriente antes de limpiarla.

- Para desarmar, vacíe el vaso y póngalo boca abajo. Gire el anillo de sellado en sentido contrario a las agujas del reloj para abrirlo. Levante el anillo de sellado, el ensamble de las cuchillas y el empaque de la junta.
- **Maneje con cuidado el ensamble de las cuchillas.** Es FILOSO y puede causar lesiones. No intente quitar las cuchillas del ensamble de cortar.
- Limpie la base del motor con un paño húmedo y séquelo completamente.
- Limpie el cable de alimentación con un paño húmedo.
- Lave el vaso, la tapa, el tapón de vertido, la junta, el ensamble de cuchillas y el collar de seguridad en agua caliente con jabón. Si hay algún alimento obstinado, use un cepillo para liberar los residuos de comida. Enjuague todas las piezas y séquelas completamente.
- Si lo desea, el vaso puede ser lavado en el lavavajillas en ciclo normal, y en posición boca abajo. La tapa, el tapón de vertido, la junta, el ensamble de cuchillas y el collar de seguridad también se pueden lavar con seguridad en la rejilla superior del lavavajillas.
- También puede lavar el ensamble de las cuchillas agregando 1 taza de agua caliente con jabón al vaso de la licuadora. Hágala funcionar en 'Low' (Baja velocidad) durante 30 segundos. Vacíe el vaso. Agregue agua limpia caliente y haga funcionar otros 30 segundos para que se enjuague. Desmonte las piezas cuidadosamente, enjuáguelas en agua limpia caliente y séquelas completamente.
- Para manchas y olores obstinados o fuertes: Remoje el vaso y la tapa durante 5 minutos en una solución con detergente. Enjuáguelos con agua caliente limpia y séquelos completamente.



⚠ PRECAUCIÓN

Nunca sumerja la base del motor en agua ni en otros líquidos. Nunca ponga la base del motor en un lavavajillas. La base del motor está diseñada para que resista los líquidos, pero no debe ser sumergida en agua.



⚠ PRECAUCIÓN

- Nunca use fibras ni limpiadores abrasivos en la base del motor, ya que pueden rayar o perjudicar el acabado.
- No use blanqueadores para limpiar la base del motor, ya que el blanqueador puede perjudicar el acabado de acero inoxidable.



CONSEJOS PARA UN MEJOR USO

SÍ:

- Use el botón 'Low' (Bajo) para bebidas o cocteles, mayonesa, aderezos, adobos, y cualquier alimento que necesite batirse con consistencia.
- Use el botón 'High' (Alto) para hacer sopas de puré o licuar cualquier alimento.
- Use el botón 'Pulse' (Impulso al tacto) para conseguir un ciclo de fuerza durante un periodo corto de tiempo, como para picar cebollas, nueces o granos.
- Use el botón 'Crush' (Triturar) para triturar hielo. Para mejores resultados, hágalo en cantidades pequeñas.
- Para resultados uniformes, corte los alimentos en cubos de 1/2 a 1 pulgada antes de procesarlos.
- Para que los ingredientes se mezclen uniformemente, agregue primero los líquidos al vaso; luego agregue los ingredientes sólidos restantes.
- Retire el tapón de vertido para agregar ingredientes sin interrumpir la operación de la licuadora. Ponga el tapón de vertido en su lugar después de haber agregado los ingredientes.
- Haga funcionar la licuadora con la tapa puesta.
- Asegúrese de que el collar de seguridad esté sujeto firmemente al vaso antes de hacer funcionar la licuadora.
- Retire el collar de seguridad y el ensamble de las cuchillas antes de limpiar.
- Cuando licúe mezclas espesas, apague la licuadora para raspar los lados del vaso con una espátula.
- Cuando pique alimentos secos como hierbas frescas o migajas de pan, asegúrese de que el vaso y el ensamble de las cuchillas estén completamente secos.
- Si el alimento se pega a los lados del vaso de la licuadora, use el botón 'Impulso al tacto' (Pulse) para operar en ciclos cortos.

NO:

- No licúe mezclas espesas por más de 1 minuto. Presione el botón de velocidad (Bajo o Alto) para hacer una pausa y permitir que la mezcla se asiente; luego presione otra vez para volver a poner en marcha.
- No use el vaso de la licuadora como almacenamiento para líquidos o mezclas.
- No use su licuadora sin la tapa bien ajustada. Si necesita agregar ingredientes, retire el tapón de vertido e introduzca o vierta los ingredientes. Vuelva a poner el tapón de vertido después de agregar los ingredientes.
- No coloque líquidos hirviendo, ni muy calientes, en el vaso. Deje que el alimento se enfríe antes de ponerlo en el vaso.
- No quite el vaso mientras el motor esté funcionando.
- No use la licuadora para amasar masa, moler papas, ni crear merengues con claras de huevo. La licuadora no está diseñada para estas tareas.
- No sobrecargue la licuadora. Esto puede hacer que el motor se atasque.
- No licúe en exceso sus alimentos. La mayoría de los resultados deseados se obtienen en pocos segundos.
- No use ningún utensilio dentro del vaso mientras la licuadora esté en operación.
- No retire el collar de seguridad mientras el vaso esté en la base del motor. Retire el vaso de la base y gírelo en sentido contrario a las manecillas del reloj para quitar el collar de seguridad.
- No utilice ningún accesorio no recomendado por Electrolux. Esto podría causar lesiones.
- No meta las manos dentro de la licuadora cuando la licuadora esté conectada a un tomacorriente.

SOLUCIÓN DE PROBLEMAS

Problema

Solución

La licuadora no enciende.

- Asegúrese de que el enchufe de alimentación esté bien insertado en el tomacorriente.
- Asegúrese de que la luz de ON/OFF esté iluminada. Si no, presione ON/OFF para encender la licuadora.
- Presione la velocidad deseada.
- Si la licuadora no enciende todavía, compruebe que no esté fundido un fusible o reinicialice el cortacircuitos.

El alimento salpica fuera del vaso.

- Asegúrese de que la tapa esté bien afianzada al vaso antes de licuar.
- Haga funcionar la licuadora en baja velocidad mientras retire el tapón de vertido para agregar nuevos ingredientes.
- No sobrecargue el vaso. Si el vaso está demasiado lleno, apague la licuadora y saque un poco de la mezcla.

La base del motor se está atascando.

- Asegúrese de que la licuadora no esté sobrecargada. Si el vaso está demasiado lleno o la mezcla es muy espesa, apague la licuadora, quite un poco de la mezcla, y reanude el proceso.
- Corte los alimentos en trozos uniformes, cubos de 1/2 a 1 pulgada, antes de procesarlos.
- Cuando use las posiciones 'Smooth' (Batido) o 'Crush' (Triturado), rompa cualquier trozo grande de hielo en pedazos más pequeños antes de agregarlos a la licuadora.

El vaso de la licuadora tiene fugas en el fondo.

- Asegúrese de que el empaque de la junta se halle en su sitio entre el vaso y el ensamble de las cuchillas.
- Revise el collar de seguridad para asegurarse de que esté correctamente alineado y bien asegurado al vaso de la licuadora.

GARANTÍA DE ELECTRODOMÉSTICO PEQUEÑO

Su electrodoméstico está cubierto por una garantía limitada de un año. Durante un año, a partir de la fecha original de su compra, Electrolux pagará todos los gastos por reparación o reemplazo de cualquier pieza de este electrodoméstico que resulte defectuosa tanto en material como en mano de obra, siempre y cuando tal electrodoméstico sea instalado, usado y mantenido de acuerdo con las instrucciones proporcionadas.

Exclusiones: Esta garantía no cubre lo siguiente:

1. Los productos con números de serie originales que hayan sido quitados, cambiados o que no puedan ser fácilmente determinados.
2. El producto que haya sido transferido de su propietario original a otro o sacado de los EE.UU. o Canadá.
3. Oxidación en el interior o exterior de la unidad.
4. Los productos comprados "como están" no son cubiertos por esta garantía.
5. Pérdida de alimento debido a alguna falla de refrigerador o de congelador.
6. Los productos usados en un entorno comercial.
7. Las visitas de servicio técnico que no impliquen funcionamiento defectuoso o defectos en los materiales o mano de obra, o para electrodomésticos que no sean para uso doméstico ordinario o sean usados de otra forma que no sea conforme a las instrucciones proporcionadas.
8. Visitas de servicio técnico para corregir la instalación de su electrodoméstico o instruirle en cómo usar su electrodoméstico.
9. Los gastos para hacer accesible el electrodoméstico para su servicio, como el retiro de adornos, alacenas, anaqueles, etc., que no sean parte del electrodoméstico cuando es enviado de la fábrica.
10. Las visitas de servicio técnico para reparar o sustituir bombillas del electrodoméstico, filtros de aire, filtros de agua, otros bienes consumibles, o perillas, mangos, u otras partes cosméticas.
11. Los cargos extra que incluyan, entre otros, visitas de servicio técnico después de las horas de oficina, en fines de semana, o vacaciones, peajes, gastos de viaje en ferry, o gastos de kilometraje para visitas de servicio técnico a áreas remotas, incluyendo al estado de Alaska.
12. Los daños al acabado del electrodoméstico o de la casa incurridos durante la instalación, incluyendo pero sin limitarse a, pisos, gabinetes, paredes, etc.
13. Daños causados por: servicios realizados por compañías de servicio no autorizadas; uso de piezas que no sean Electrolux genuinas o piezas obtenidas de personas que no pertenezcan a compañías de servicio autorizadas; o causas externas como abuso, mal uso, suministro de energía inadecuado, accidentes, incendios, o casos de fuerza mayor.

DESCARGO DE RESPONSABILIDAD DE GARANTÍAS IMPLÍCITAS; LIMITACIÓN DE COMPENSACIONES

LA ÚNICA Y EXCLUSIVA COMPENSACIÓN PARA EL CLIENTE CONFORME A ESTA GARANTÍA LIMITADA SERÁ LA REPARACIÓN O REEMPLAZO DEL PRODUCTO CONFORME ESTÁ PREVISTO AQUÍ. LOS RECLAMOS BASADOS EN GARANTÍAS IMPLÍCITAS, INCLUSIVE GARANTÍAS DE COMERCIABILIDAD O IDONEIDAD PARA UN DETERMINADO FIN, ESTÁN LIMITADOS A UN AÑO O AL PERIODO MÁS CORTO PERMITIDO POR LA LEY, PERO NO MENOR A UN AÑO. ELECTROLUX NO SERÁ RESPONSABLE POR LOS DAÑOS RESULTANTES O SECUNDARIOS, COMO SON DAÑOS A LA PROPIEDAD Y GASTOS DIVERSOS QUE RESULTEN DE ALGUNA VIOLACIÓN A ESTA GARANTÍA LIMITADA POR ESCRITO O DE NINGUNA GARANTÍA IMPLÍCITA. ALGUNOS ESTADOS Y PROVINCIAS NO PERMITEN LA EXCLUSIÓN O LIMITACIÓN DE DAÑOS SECUNDARIOS O RESULTANTES, O LIMITACIONES A LA DURACIÓN DE LAS GARANTÍAS IMPLÍCITAS, DE MODO QUE ES POSIBLE QUE ESTAS LIMITACIONES O EXCLUSIONES NO TENGAN VALIDEZ PARA USTED. ESTA GARANTÍA POR ESCRITO LE OTORGA DERECHOS LEGALES ESPECÍFICOS. ES POSIBLE QUE TAMBIÉN TENGA OTROS DERECHOS QUE VARÍAN DE ESTADO A ESTADO.

Si necesita servicio de mantenimiento:

Guarde su recibo, comprobante de entrega, o algún otro registro de pago correspondiente, a fin de establecer el periodo de garantía en caso de que requiera el servicio. Si se lleva a cabo un servicio, es por su bien obtener y guardar todos los recibos. El servicio conforme a esta garantía debe ser obtenido poniéndose en contacto con Electrolux en las direcciones o números de teléfono que se indican abajo.

Esta garantía tiene validez únicamente en los EE.UU. y Canadá. En los EE.UU., su electrodoméstico está garantizado por Electrolux Major Appliances North America, una división de Electrolux Home Products, Inc. En Canadá, su electrodoméstico está garantizado por Electrolux Canada Corp. Electrolux no autoriza a ninguna persona a que cambie o añada ninguna obligación conforme a esta garantía. Las obligaciones para el servicio y reemplazo de piezas conforme a esta garantía deberán ser realizadas por Electrolux o por una compañía de servicio autorizada. Las funciones o especificaciones del producto según se describen o se ilustran están sujetas a cambio sin previo aviso.

USA
1.888-845-7330
Electrolux Home Products, Inc.
10200 David Taylor Drive
Charlotte, NC 28262



Canada
1.888-845-7330
Electrolux Canada Corp.
5855 Terry Fox Way
Mississauga, Ontario, Canada
L5V 3E4
Impreso en China

FRIGIDAIRE

Quelques mots sur

l'utilisation et l'entretien

de votre mélangeur résidentiel

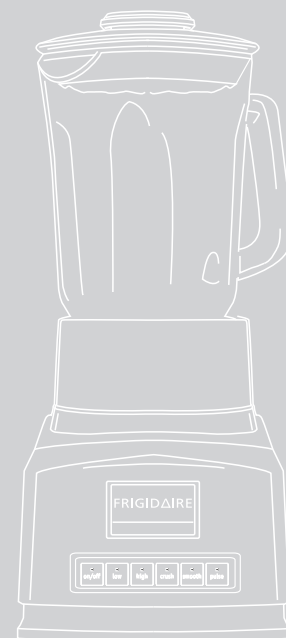


TABLE DES MATIÈRES

Mesures de protection importantes	20	Nettoyer votre mélangeur	24
Pièces et caractéristiques	21	Conseils pour la meilleure utilisation	25
Avant d'utiliser votre mélangeur	22	Solution de problèmes	26
Comment assembler votre mélangeur	22	Information sur la garantie	27
Utiliser votre mélangeur	23		

MESURES DE PROTECTION IMPORTANTES

Lors de l'utilisation d'appareils électriques, il faut observer des mesures de sécurité élémentaires, et en particulier:

1. Lire toutes les instructions.
2. Éviter tout contact avec les pièces mobiles.
3. Pour se protéger contre les chocs électriques, ne pas plonger le cordon, les fiches ou l'appareil dans l'eau ou dans tout autre liquide.
4. Il faut une supervision étroite lorsque l'appareil est utilisé par ou près d'enfants.
5. Débrancher l'appareil de la prise lorsqu'il n'est pas utilisé, avant d'installer ou de retirer des pièces et avant tout nettoyage.
6. Ne pas faire fonctionner tout appareil électroménager avec un cordon ou une fiche endommagé(e), ou si l'appareil fonctionne mal, ou est échappé ou endommagé de quelque façon que ce soit. Retourner l'appareil au centre de service autorisé le plus proche pour qu'il soit vérifié, réparé ou que les éléments électriques ou mécaniques soient ajustés.
7. Ne pas l'utiliser à l'extérieur.
8. Ne pas laisser le cordon toucher des surfaces chaudes, incluant la cuisinière, ni le laisser dépasser du comptoir ou du dessus de table où il pourrait être tiré par un enfant ou pour que quelqu'un trébuche accidentellement.
9. Ne pas placer l'appareil sur ou près d'un brûleur électrique ou à gaz chaud ou dans un four chauffé ou dans un micro-ondes.
10. Ne pas utiliser l'appareil à d'autres fins que celles prévues.
11. Ne pas plonger le moteur dans l'eau ou dans des liquides pour éviter tout choc électrique possible.
12. L'utilisation des accessoires non recommandés ou non vendus par le fabricant peut provoquer des incendies, des chocs électriques ou des blessures.
13. Placez le mélangeur sur une surface sèche, uniforme.
14. Pour débrancher le mélangeur, appuyez sur le bouton OFF (arrêt) pour s'assurer que l'appareil est éteint. Ensuite, débranchez en agrippant la fiche et en la tirant de la prise murale. Ne débranchez jamais en tirant le cordon.
15. Utilisez toujours votre mélangeur avec le couvercle en place.
16. Ne retirez pas le bol du moteur tandis que l'appareil fonctionne.
17. LES LAMES SONT TRANCHANTES. MANIPULEZ AVEC SOIN.
18. Gardez les mains et les ustensiles loin du contenant en mélangeant pour réduire le risque de blessures graves ou des dommages au mélangeur. On peut utiliser un grattoir, mais seulement lorsque le mélangeur ne fonctionne pas.

19. Ne laissez jamais le mélangeur sans supervision tandis qu'il fonctionne.
20. Avant d'utiliser l'appareil pour la première fois, nettoyez le bol à mélanger, l'assemblage de coupe, l'anneau de verrouillage et le couvercle.
21. Ne placez pas les liquides bouillants ou chauds dans le bol. Laissez les liquides refroidir avant de placer dans le bol.
22. Ne placez pas l'appareil près d'une surface chaude, d'une cuisinière ou des brûleurs électriques ou à tout endroit où cela peut toucher toute autre source de chaleur.
23. Ajoutez d'abord des ingrédients liquides au bol, puis ajoutez les ingrédients secs pour avoir un mélange uniforme.
24. Lorsque le mélange est lourd ou épais, mélangez pendant 10 secondes et éteignez l'appareil. Mélangez le mélange avant de continuer.
25. Pour réduire le risque de blessure, ne placez pas les lames d'assemblage de coupe sur la base sans d'abord placer le bol correctement en place.

CONSERVEZ CES INSTRUCTIONS

Information sur la sécurité pour le client

CE PRODUIT EST RÉSERVÉ À L'UTILISATION RÉSIDENIELLE.

Fiche polarisée

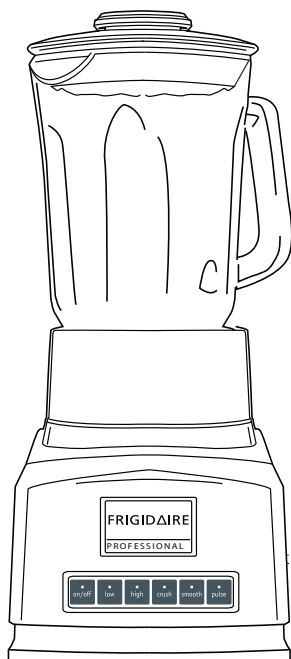
Cet appareil a une fiche polarisée (une lame est plus large que l'autre). Pour réduire le risque de choc électrique, cette fiche entre dans une prise polarisée d'une seule manière. Si la fiche n'entre pas entièrement dans la prise, inversez-la et réinsérez. Si la fiche n'entre toujours pas, contactez un électricien qualifié. Ne modifiez pas la fiche de quelque façon que ce soit.



MISE EN GARDE

Instructions pour cordon court: Votre mélangeur est doté d'un cordon d'alimentation court comme précaution de sécurité pour prévenir les blessures ou les dommages à la propriété lorsqu'on tire, trébuche ou s'accroche dans un long cordon. Ne laissez pas les enfants utiliser ou être près de l'appareil sans supervision étroite des adultes. Une rallonge est disponible et peut être utilisée si elle est utilisée avec soin. Si une rallonge est utilisée (1) la valeur nominale électrique indiquée du cordon ou de la rallonge devrait être comparable à celle de l'appareil, (2) le cordon doit être arrangé pour ne pas dépasser du comptoir ou du dessus de table où il pourrait être tiré par un enfant ou pour que quelqu'un trébuche accidentellement, (3) si l'appareil est du type mis à la terre, la rallonge devrait être un cordon à 3 broches mise à la terre.

PIÈCES ET CARACTÉRISTIQUES



Bol de 56 onces

Votre mélangeur résidentiel est fourni avec un bol de verre de 56 onces. Ce bol d'une bonne taille peut répondre aux besoins de mélange pour toutes vos recettes préférées, que ce soit hacher les noix ou mélanger les vinaigrettes à salade aux purées de nourriture de bébé et beaucoup plus encore.

Garniture de versement

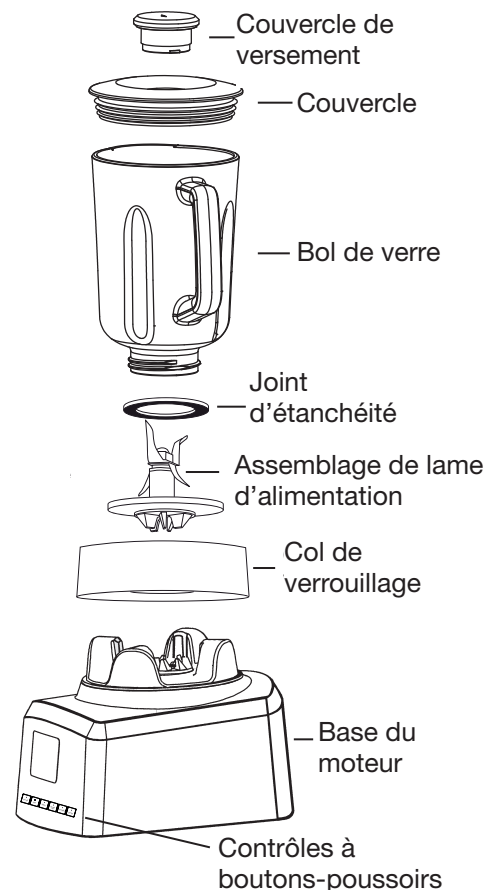
Cet accessoire vous permet d'ajouter des ingrédients au bol sans retirer le couvercle. Vous n'avez qu'à retirer le couvercle de versement pour verser ou acheminer les liquides ou laisser tomber les ingrédients secs tout en mélangeant.

Fonction « arrêt » automatique

Votre mélangeur est doté d'une fonction d'arrêt automatique. Si le bouton de contrôle du mélangeur est laissé à « On » (marche), mais que le mélangeur ne fonctionne pas pendant 30 minutes, l'appareil s'arrête automatiquement. Si vous oubliez d'éteindre l'appareil et de le débrancher après son utilisation, cette fonction préviendra une utilisation inutile de courant.

2 vitesses, 3 fonctions spéciales

Les réglages « High » (haute) et « Low » (basse) vous permettent de mélanger les ingrédients à la vitesse voulue. Votre mélangeur inclut aussi trois fonctions spéciales - Pulse (impulsion), Smoothie (yogourt fouetté) et Crush Ice (broyage de glace) - avec chaque fonction pré-réglée à la vitesse appropriée pour ces utilisations spécialisées.



Courant

Si le circuit électrique est surchargé avec d'autres appareils, votre mélangeur pourrait ne pas fonctionner correctement. Il devrait fonctionner sur un circuit électrique distinct des autres appareils.

AVERTISSEMENT

Danger de choc électrique

Branchez l'appareil dans une prise mise à la terre correctement.

Ne pas suivre ces instructions pourrait mener à la mort, à des incendies ou à des chocs électriques.

Spécifications du produit

Numéro de modèle	FPJB56B7MS
Volts	120 V.C.A. seulement
Puissance nominale	600 watts
Hertz	60 HZ
Dimensions	Largeur 7 1/16 po (17,9 cm) Profondeur 9 po (22,9 cm) Hauteur 16 1/4 po (41,4 cm)
Capacité	56 onces (1650 ml)

AVANT D'UTILISER VOTRE MÉLANGEUR

MISE EN GARDE

Déballiez avec soin. **Les lames sont très tranchantes!**

1. Déballiez avec soin le contenu de la boîte. Assurez-vous que toutes les pièces (comme indiqué à la page 21) sont là et que le mélangeur semble libre de tous dommages physiques. Si vous découvrez des dommages ou s'il manque des pièces, veuillez contacter notre service à la clientèle au 1-888-845-7330 avant de le brancher.
2. Retirez tout matériel imprimé ou collé au mélangeur. Inspectez le bol pour vous assurer qu'il n'y ait pas de

matériel d'emballage ou de matières étrangères à l'intérieur.

3. Après l'inspection, placez la base du moteur du mélangeur à la verticale sur un comptoir ou une table.
4. Avant d'utiliser, lavez le couvercle, le couvercle de versement, le bol de verre, la rondelle d'étanchéité et l'assemblage de la lame dans de l'eau savonneuse chaude ou dans le lave-vaisselle. (Pour démonter, reportez-vous aux instructions de la page 24.) Asséchez bien.
5. Essuyez la base du moteur avec un chiffon humide.
6. Assemblez le mélangeur selon l'instruction de cette page.

COMMENT ASSEMBLER VOTRE MÉLANGEUR

MISE EN GARDE

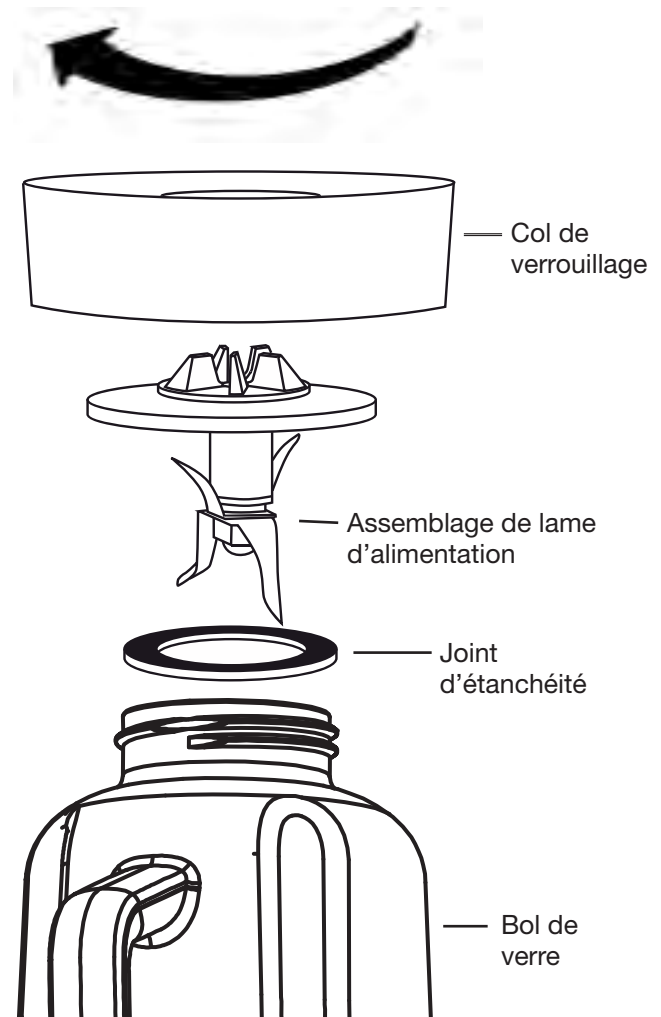
Les lames sont très tranchantes.

En manipulant l'assemblage de lame d'alimentation, tenez l'assemblage par sa base. Évitez de manipuler les lames avec les doigts.

1. Placez la base du moteur sur une surface sèche, à plat.
2. Assurez-vous que le moteur est éteint et que le cordon est débranché.
3. Inversez le bol de verre sur une surface solide, à plat.
4. Placez la rondelle d'étanchéité sur l'ouverture au bas du bol.
5. Insérez l'assemblage de la lame dans l'ouverture du bol.
6. Placez le col de verrouillage sur le dessus de l'assemblage de lame et tournez dans le sens horaire pour bien verrouiller.
7. Relevez le bol et placez-le sur la base du moteur.
8. Placez le couvercle sur le bol. Insérez le couvercle de versement dans le couvercle du mélangeur et tournez jusqu'à ce qu'il se verrouille.
9. Branchez le cordon dans une prise de courant de 120 volts. Votre mélangeur est maintenant prêt à utiliser.

MISE EN GARDE

Ajoutez la nourriture ou le liquide tandis que le mélangeur fonctionne *seulement* en soulevant le couvercle de versement et en laissant tomber les ingrédients. Ne retirez jamais le couvercle tandis que le mélangeur est en marche.



Pour utiliser votre mélangeur

- Placez la nourriture dans le bol du mélangeur en ne surchargeant pas.
- Enfoncez le bouton ON/OFF (marche/arrêt). Le voyant à DEL transparent s'allumera, indiquant que le mélangeur est en marche, mais qu'aucune vitesse n'a été choisie.
- Enfoncez le bouton « Low » (basse) ou « High » (haute) pour choisir votre vitesse de transformation voulue ou choisissez l'une des 3 fonctions spéciales.

Choisir la vitesse

Étapes

1. Enfoncez ON/OFF (marche/arrêt) Le voyant indiquera que le mélangeur est en marche.
2. Enfoncez la vitesse voulue. Le voyant indiquera la vitesse choisie.
3. Pour faire une pause, enfoncez le bouton de vitesse à nouveau. L'appareil arrêtera le mélange et restera en mode d'attente.
4. Enfoncez à nouveau le bouton de vitesse pour reprendre le mélange.
5. À la fin, enfoncez le bouton ON/OFF pour éteindre le mélangeur. Le voyant s'éteindra.

Enfoncez



Conseil: Vous pouvez changer la vitesse tandis que le mélangeur fonctionne sans éteindre l'appareil. Enfoncez tout simplement la vitesse choisie pour faire une pause, pour enfoncer une autre vitesse pour reprendre le mélange.

À la fin du mélange

- Éteignez l'appareil et débranchez de la prise de courant.
- Soulevez le bol *vers le haut* et hors de la base du moteur - ne tournez pas le bol ni le col de verrouillage en retirant de la base du moteur.
- Après le nettoyage, rangez le bol à la verticale dans ou près de la base du moteur avec le couvercle et le couvercle de versement en place. Ne placez pas d'autres articles sur le mélangeur rangé.



MISE EN GARDE

Ne mélangez pas au-delà de la capacité maximale.

En utilisant le mélangeur avec le bol rempli ou presque rempli ou à sa capacité maximale, placez la main sur le couvercle du mélangeur pour le stabiliser. Ceci aidera à éviter tout déplacement ou mouvement pendant le mélange.

Fonction d'impulsion (Pulse)

Utilisez le bouton « Pulse » (impulsion) lorsque vous avez besoin d'une petite rafale de courant. Cette fonction est utile pour hacher les noix, pour briser de larges morceaux de nourriture ou des aliments qui exigent un mélange minimal.

Étapes

1. Enfoncez ON/OFF (marche/arrêt). Le voyant indiquera que le mélangeur est en marche.
2. Enfoncez « Pulse » (impulsion). Le voyant indiquera la fonction choisie.
3. Enfoncez le bouton ON/OFF (marche/arrêt) pour éteindre le mélangeur. Le voyant s'éteindra.

Enfoncez



Fonction de yogourt fouetté (Smoothie)

Cette fonction vous permet de préparer votre yogourt fouetté préféré sans effort avec la consistance recherchée.

Étapes

1. Enfoncez ON/OFF. Le voyant indiquera que le mélangeur est en marche.
2. Enfoncez « Smooth » (lisse). Le voyant indiquera la fonction choisie.
3. Lorsque vous obtenez la consistance voulue, enfoncez le bouton ON/OFF pour éteindre le mélangeur. Le voyant s'éteindra.

Enfoncez



Fonction de broyage de glace (Crush Ice)

Cette fonction vous permet de broyer la glace sans ajouter de liquide. Cela fonctionne en mode « pulse » (impulsion) en vous donnant un sursaut de courant pour broyer la glace comme vous la désirez. Mettez les glaçons dans le bol du mélangeur et transformez jusqu'à ce que la glace soit broyée à la finesse voulue. Pour les meilleurs résultats, travaillez avec de petites quantités.

Étapes

1. Enfoncez ON/OFF. Le voyant indiquera que le mélangeur est en marche.
2. Enfoncez « Crush » Le voyant indiquera la fonction choisie.
3. À la fin, enfoncez le bouton ON/OFF pour éteindre le mélangeur. Le voyant s'éteindra.

Enfoncez

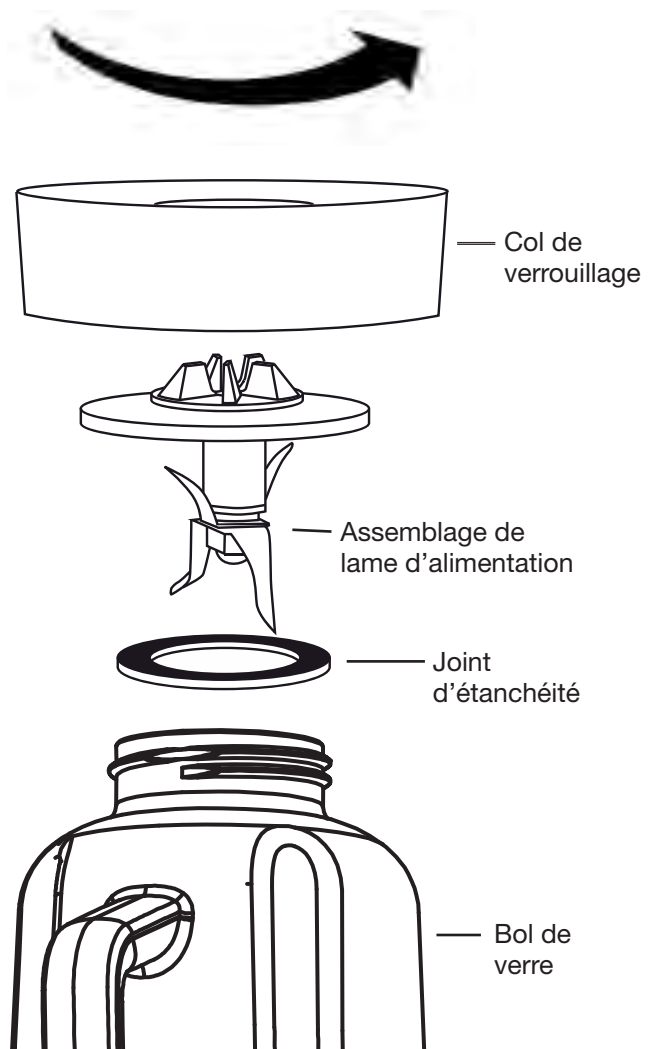


NETTOYER VOTRE MÉLANGEUR

➔ IMPORTANT

Débrancher le mélangeur de la prise de courant avant le nettoyage.

- Pour démonter, videz le bol et inversez. Tournez l'anneau de verrouillage dans le sens antihoraire pour déverrouiller. Soulevez l'anneau, l'assemblage de la lame et la rondelle d'étanchéité.
- **Manipulez l'assemblage de lame avec soin.** Elle est **TRANCHANTE** et peut blesser. N'essayez pas de retirer les lames de l'assemblage de coupe.
- Essuyez la base du moteur avec un chiffon humide doux et asséchez bien.
- Essuyez le cordon avec un chiffon humide.
- Lavez le bol, le couvercle, le couvercle de versement, la rondelle d'étanchéité, l'assemblage de lame et le col de verrouillage dans de l'eau tiède savonneuse. S'il y a des aliments rebelles, utilisez une brosse pour dégager les résidus. Rincez toutes les pièces et asséchez bien.
- Si vous désirez, le bol peut être lavé au lave-vaisselle à un cycle normal, inversé. Le couvercle, le couvercle de versement, la rondelle d'étanchéité, l'assemblage de lame et le col de verrouillage peuvent aussi être lavés au lave-vaisselle dans le panier supérieur.
- Vous pouvez aussi laver l'assemblage de la lame en ajoutant 1 tasse d'eau tiède savonneuse au bol du mélangeur. Faites fonctionner à vitesse « Low » (basse) pendant 30 secondes. Videz le bol. Ajoutez de l'eau tiède claire et faites fonctionner pendant 30 autres secondes pour rincer. Démontez avec soin les pièces, rincez à l'eau tiède claire et asséchez bien.
- Pour les taches ou odeurs rebelles ou fortes. Faites tremper le bol et le couvercle pendant 5 minutes dans une solution de détergent. Rincez à l'eau tiède claire et asséchez bien.



⚠ MISE EN GARDE

Ne submergez jamais la base du moteur dans l'eau ou dans tout autre liquide. Ne placez jamais la base du moteur dans un lave-vaisselle. La base du moteur est conçue pour résister aux liquides, mais ne doit pas être submergée dans l'eau.



⚠ MISE EN GARDE

- N'utilisez jamais de tampons à récurer ou de nettoyants abrasifs sur la base du moteur car cela pourrait égratigner ou endommager le fini.
- N'utilisez pas de solutions à agent de blanchiment pour nettoyer la base du moteur, puisque l'agent de blanchiment peut endommager le fini d'acier inoxydable.



CONSEILS POUR LA MEILLEURE UTILISATION

FAIRE:

- Utilisez le bouton « Low » (basse) pour les boissons ou les cocktails, la mayonnaise, les vinaigrettes, les marinades et toute nourriture devant avoir une consistance uniforme.
- Enfoncez le bouton « High » (haute) obtenir des soupes en purée et liquéfier des aliments.
- Utilisez le bouton « Pulse » (impulsion) pour obtenir une petite impulsion courte, comme pour hacher les oignons, les noix ou les grains.
- Utilisez le bouton « Crush » pour broyer la glace. Pour les meilleurs résultats, travaillez avec de petites quantités.
- Pour des résultats uniformes, coupez les aliments en cubes de 1/2 à 1 po avant de les transformer.
- Pour des ingrédients mélangés uniformément, ajoutez des liquides d'abord au bol, puis ajoutez les autres ingrédients solides.
- Retirez le couvercle de versement pour ajouter des ingrédients sans interrompre le fonctionnement du mélangeur. Remplacez le couvercle de versement après avoir ajouté les ingrédients.
- Faites fonctionner le mélangeur avec le couvercle en place.
- Assurez-vous que le col de verrouillage est bien installé au bol avant de faire fonctionner le mélangeur.
- Retirez le col et l'assemblage de la lame avant de nettoyer.
- En mélangeant des mélanges épais, éteignez le mélangeur pour gratter les parois du mélangeur avec une spatule.
- En hachant des aliments secs comme les herbes fraîches ou la chapelure, assurez-vous que le bol et l'assemblage de la lame sont bien secs.
- Si la nourriture colle aux parois du bol, utilisez le bouton « Pulse » (impulsion) en courtes rafales.

NE PAS FAIRE:

- Ne mélangez pas de mélanges épais pendant plus de 1 minute. Enfoncez le bouton de vitesse (Basse ou Haute) pour faire une pause et permettre au mélange de reposer puis enfoncez à nouveau pour redémarrer.
- N'utilisez pas le bol du mélangeur pour ranger des liquides ou des mélanges.
- N'utilisez pas votre mélangeur sans couvercle bien en place. Si vous devez ajouter des ingrédients, retirez le couvercle de versement et versez ou laissez tomber les ingrédients. Remplacez le couvercle après avoir ajouté les ingrédients.
- Ne placez pas de liquides bouillants ou chauds dans le bol. Laissez la nourriture refroidir avant de placer dans le bol.
- Ne retirez pas le bol du moteur tandis que l'appareil fonctionne.
- N'utilisez pas le mélangeur pour pétrir de la pâte, préparer des pommes de terre en purée ou créer des meringues avec des blancs d'oeuf. Le mélangeur n'est pas conçu pour ces tâches.
- Ne surchargez pas le mélangeur. Ceci pourrait mener le moteur à caler.
- Ne mélangez pas trop vos aliments. La plupart des résultats recherchés s'obtiennent en quelques secondes.
- N'utilisez pas d'ustensile dans le bol tandis que le mélangeur fonctionne.
- Ne retirez pas le col de verrouillage avec le bol sur la base du moteur. Retirez le bol de la base et tournez dans le sens antihoraire pour retirer le col de verrouillage.
- N'utilisez pas d'accessoires non recommandés par Electrolux. Ceci pourrait entraîner des blessures.
- Ne placez pas les mains à l'intérieur du mélangeur lors qu'il est branché dans une prise de courant.

RÉSOLUTION DE PROBLÈMES

Problème

Solutions

Le mélangeur ne se met pas en marche.

- Vérifiez pour vous assurer que la fiche est bien insérée dans la prise.
- Assurez-vous que le coussinet ON/OFF (marche/arrêt) est éclairé. Si ce n'est pas le cas, enfoncez ON/OFF (marche/arrêt) pour mettre le mélangeur en marche.
- Touchez la vitesse voulue.
- Si le mélangeur ne se met toujours pas en marche, vérifiez s'il y a un fusible grillé ou réinitialisez le disjoncteur.

La nourriture éclabousse l'extérieur du bol.

- Assurez-vous que le couvercle est bien placé sur le bol avant de mélanger.
- Faites fonctionner le mélangeur à réglage bas tandis que vous retirez le couvercle de versement pour ajouter de nouveaux ingrédients.
- Ne surchargez pas le bol. Si le bol est trop plein, éteignez le mélangeur et retirez un peu du mélange.

La base du moteur s'enfonce.

- Assurez-vous que le mélangeur n'est pas surchargé. Si le bol est trop plein ou le mélange trop épais, éteignez le mélangeur, retirez un peu du mélange et relancez le processus.
- Coupez les aliments en morceaux uniformes, des cubes de 1/2 à 1 po avant de les transformer.
- Lorsque vous utilisez le réglage « Smooth » (lisse) ou « Crush » (broyer), brisez tous gros morceaux de glace en plus petits morceaux avant d'ajouter au mélangeur.

Le bol du mélangeur coule au bas.

- Assurez-vous que la rondelle d'étanchéité est en place entre le bol et l'assemblage de la lame.
- Vérifiez le col de verrouillage pour vous assurer qu'il est bien aligné et bien attaché au bol du mélangeur.

GARANTIE DE PETIT APPAREIL MÉNAGER

Votre appareil est couvert par une garantie limitée d'un an. Pendant un an à partir de votre date d'achat original, Electrolux paiera tous les coûts de réparation ou de remplacement de toutes pièces de cet appareil qui s'avère défectueux en matériaux ou en fabrication lorsque l'appareil est installé, utilisé et entretenu conformément aux instructions fournies.

Exclusions Cette garantie ne couvre pas ce qui suit:

1. Les produits avec des numéros de série originaux qui ont été retirés, modifiés ou qui ne peuvent pas être déterminés facilement.
2. Le produit a été transféré de son propriétaire original à une autre partie ou retirée des É.-U. ou du Canada.
3. Rouille à l'intérieur ou à l'extérieur de l'appareil.
4. Les produits achetés « tel quel » ne sont pas couverts par cette garantie.
5. Perte d'aliments à cause de toutes défaillances de réfrigérateur ou congélateur.
6. Produits utilisés dans un milieu commercial.
7. Les appels de service qui n'impliquent pas de mauvais fonctionnements ou des défauts de matériaux ou de fabrication ou des appareils qui ne sont pas utilisés couramment dans une résidence ou utilisés de manière non conforme aux instructions fournies.
8. Les appels de service pour corriger l'installation de votre appareil ou pour vous indiquer comment utiliser votre appareil.
9. Les dépenses pour rendre cet appareil accessible pour son entretien, comme le retrait de la garniture, armoires, tablettes, etc. qui ne font pas partie de l'appareil lorsqu'il est expédié de l'usine.
10. Les appels de service pour réparer ou remplacer les ampoules, les filtres d'air, les filtres d'eau de l'appareil ou autres produits consommables, ou boutons, poignées ou autres pièces décoratives.
11. Les surcharges, incluant, mais sans s'y limiter, tous appels de service après les heures, la fin de semaine ou pendant les fêtes, les droits de péages, les frais de traversiers ou les dépenses de kilométrage pour les appels de service dans les endroits éloignés, incluant l'état de l'Alaska.
12. Les dommages au fini de l'appareil ou de la maison durant l'installation, incluant, mais sans s'y limiter, aux planchers, armoires, murs, etc.
13. Les dommages causés par: Les services exécutés par des sociétés de service non autorisées; l'utilisation de pièces autres que des pièces véritables Electrolux ou des pièces obtenues de personnes autres que les sociétés de service autorisées, ou des causes extérieures comme abus, mauvaise utilisation, courant inadéquat, accidents, incendies ou force majeure.

DÉNÉGATION DES GARANTIES IMPLICITES; LIMITATION DE RECOURS

LE SEUL RECOURS EXCLUSIF DU CLIENT SOUS CETTE GARANTIE LIMITÉE SERA LA RÉPARATION OU LE REMPLACEMENT DU PRODUIT SELON CE QUI EST INDIQUÉ DANS CE DOCUMENT. LES RÉCLAMATIONS SELON CES GARANTIES IMPLICITES Y COMPRIS CELLES DE COMMERCIALITÉ ET D'APTITUDE À UN EMPLOI PARTICULIER, SE LIMITENT À UNE ANNÉE OU À LA PÉRIODE LA PLUS COURTE PERMISE PAR LA LOI, MAIS PAS MOINS D'UN AN. ELECTROLUX NE SERA PAS RESPONSABLE DES DOMMAGES CONSÉCUTIFS OU INDIRECTS COMME LES DOMMAGES À LA PROPRIÉTÉ ET LES DÉPENSES INDIRECTES DÉCOULANT DE TOUT BRIS DE CETTE GARANTIE LIMITÉE ÉCRITE OU TOUTE GARANTIE IMPLICITE. CERTAINS ÉTATS ET PROVINCES N'ACCEPTENT PAS D'EXCLUSION OU DE LIMITATION AUX DOMMAGES INDIRECTS OU CONSÉCUTIFS OU DE LIMITATIONS QUANT À LA DURÉE DES GARANTIES IMPLICITES, IL SE PEUT DONC QUE LES EXCLUSIONS OU LES LIMITATIONS NE S'APPLIQUENT PAS DANS VOTRE CAS. CETTE GARANTIE VOUS DONNE DES DROITS JURIDIQUES PRÉCIS. VOUS POUVEZ AUSSI AVOIR D'AUTRES DROITS QUI VARIENT D'UN ÉTAT À L'AUTRE OU D'UNE PROVINCE À L'AUTRE.

Si vous avez besoin de service

Conserver votre reçu, bordereau de livraison ou tout autre registre de paiement approprié pour établir la période de garantie s'il faut du service. Si le service est exécuté, il est dans votre meilleur intérêt d'obtenir et de conserver tous les reçus. Le service sous cette garantie doit être obtenu en contactant Electrolux aux adresses ou aux numéros de téléphone plus bas.

Cette garantie ne couvre que les É.-U. et le Canada. Aux É.-U., votre appareil est garanti par Electrolux Major Appliances North America, une division d'Electrolux Home Products, Inc. Au Canada, votre appareil est garanti par Electrolux Canada Corp. Electrolux n'autorise aucune personne à changer ou ajouter toute obligation sous cette garantie. Les obligations de service et de pièces sous cette garantie doivent être exécutées par Electrolux ou une société de service autorisée. Les fonctions ou spécifications du produit décrites ou illustrées sont sujettes à changement sans préavis.

USA
1.888-845-7330
Electrolux Home Products, Inc.
10200 David Taylor Drive
Charlotte, NC 28262

 **Electrolux**

Canada
1.888-845-7330
Electrolux Canada Corp.
5855 Terry Fox Way
Mississauga, Ontario, Canada
L5V 3E4
Imprimé en Chine

Free Manuals Download Website

<http://myh66.com>

<http://usermanuals.us>

<http://www.somanuals.com>

<http://www.4manuals.cc>

<http://www.manual-lib.com>

<http://www.404manual.com>

<http://www.luxmanual.com>

<http://aubethermostatmanual.com>

Golf course search by state

<http://golfingnear.com>

Email search by domain

<http://emailbydomain.com>

Auto manuals search

<http://auto.somanuals.com>

TV manuals search

<http://tv.somanuals.com>