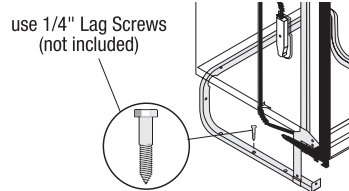
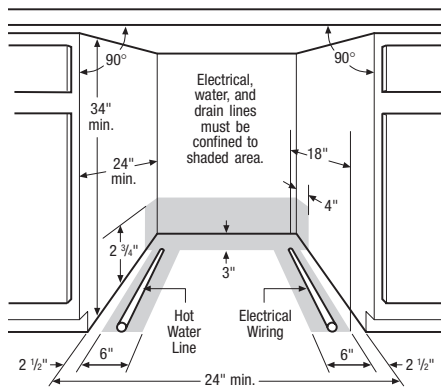
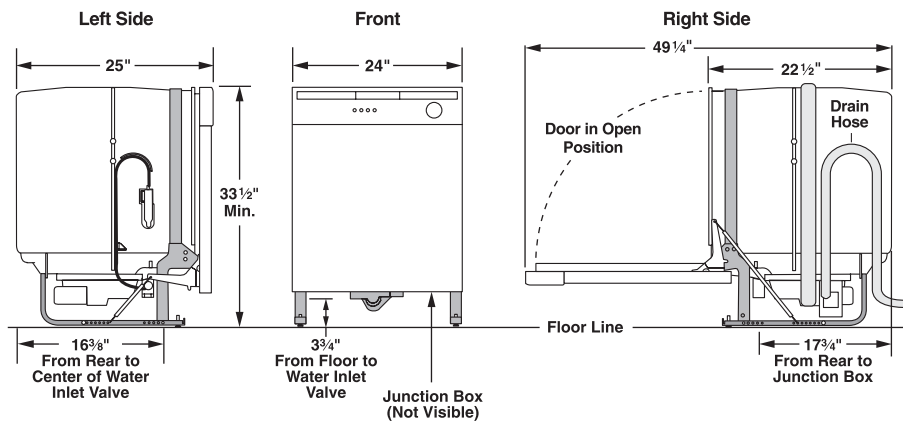


FDB1502RG

Installation



Floor Anchoring

When a new layer of flooring is applied, reduced installation height can occur. To reduce a Frigidaire dishwasher to a 33-1/2" installation height, remove the countertop anchoring clips from the dishwasher frame and mount to the floor with 1/4" lag screws (not included) through the holes provided in the dishwasher frame. Use expansion fasteners if floor is concrete (see illustration).

Model Size	Exterior Dimensions			Total Depth 90° Open
	Height Min.	Height Max.	Width	
24" Built-In	33 1/2"	34 7/8"	24"	49 1/4"

Important: Because of continuing product improvements, Electrolux Major Appliances reserves the right to change specifications without notice. Dimension and cutout information is for planning purposes only. For complete installation details consult manual packed with product, or download manual at Customer Service, online at www.frigidaire.com.

Free Manuals Download Website

<http://myh66.com>

<http://usermanuals.us>

<http://www.somanuals.com>

<http://www.4manuals.cc>

<http://www.manual-lib.com>

<http://www.404manual.com>

<http://www.luxmanual.com>

<http://aubethermostatmanual.com>

Golf course search by state

<http://golfingnear.com>

Email search by domain

<http://emailbydomain.com>

Auto manuals search

<http://auto.somanuals.com>

TV manuals search

<http://tv.somanuals.com>