

Freezer

FKFH21F7H W

Frost Free
21 Cu. Ft. Upright



Product Dimensions

Height (Including Hinges)	71-1/4"
Width	32"
Depth (Including Door)	31-1/8"

More Easy-To-Use Features

Quick Freeze

Quickly freeze whatever you store to keep foods at their freshest.

Store-More™ Tilt-Out Wire Door Bins

Store more in the door — and get easy access with the tilt-out feature.

Store-More™ Adjustable Door Bins

Flexible storage options, with door bins designed to reposition with ease to fit your needs.

Lock with Pop-Out Key

The freezer key automatically ejects after locking the door so you won't leave it in the door.

Power-On Indicator Light

Know at a glance that your freezer is working.

Bright Lighting

Our bright lighting makes it easy to see what's inside.

SpaceWise™ Shelf Bookends

Clever and flexible bookends are designed to hold more frozen food containers upright.

Color-Coordinated Handle

Signature Features

Ready-Select™ Controls with Upfront Display

Easily select options with the touch of a button.

SpaceWise™ Organizational System

Our total organizational system includes adjustable and fixed glass shelves, mid and lower level baskets and adjustable door storage.

Store-More™ Capacity

Our large capacity freezer gives you room to store more.

Automatic Alerts

Freezer alerts you if the door is left open or if the temperature rises.



ENERGY STAR®

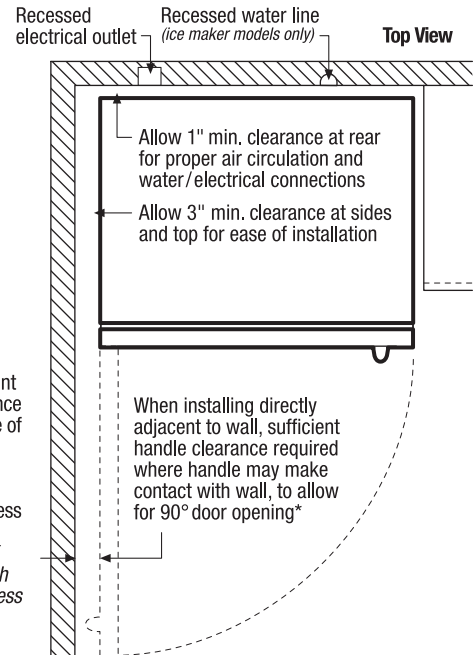
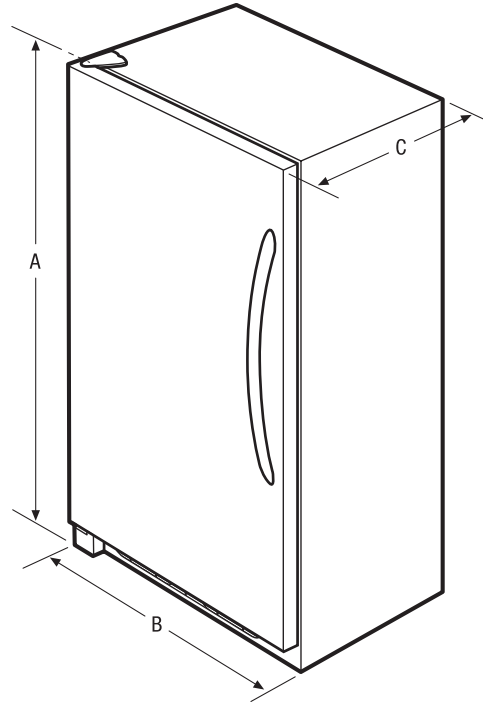
Available in:



White
(W)

Features	
Door Handle Design	Reach-Through
Reversible Door	
Automatic Door Closer	Yes
Leveling Legs	Yes
Lock with Pop-Out Key	Yes
Defrost	Frost Free
Adjustable Temperature Control	Ready-Select™
Front Digital Display	Yes
Temp Display Mode	F/C
High-Temp Duration Readout	Yes
High-Temp Alarm	Yes
Door Ajar Alarm	Yes
Airflow Ports	1
Enhanced Interior Lighting	Bright
Interior Light	Yes
Full-Width Adjustable Shelves	1 Wire
Full-Width Fixed Shelves	3 Wire
Removable Trivet	
SpaceWise™ Shelf Bookend	2
Mid-Level Baskets	1
Lower Storage Basket	1
Basket Dividers	
Retractable Pizza Shelf	
Soft Freeze Zone	
Store-More™ Adjustable Door Bins	5
Full-Width Door Bins	1
Store-More™ Tilt-Out Wire Door Bins	1
Fixed Door Racks	
Defrost Drain	
Power-On Light	Yes
Convertible	
Certifications	
ENERGY STAR®	Yes
CSA Rating	Household
Specifications	
Total Capacity (Cu. Ft.)	20.5
Shelf Area (Sq. Ft.)	19.30
Annual Energy (kWH)	690
Annual Energy Cost (.1065/kWH)	\$74
Power Supply Connection Location	Lower Right Rear
Voltage Rating	115V
Connected Load (kW rating) @ 115 Volts¹	.58
Amps @ 115 Volts	5
Minimum Circuit Required (Amps)	15
Shipping Weight (Approx.)	258 Lbs.

¹An electrical supply with grounded three-prong receptacle is required. The power supply circuit must be installed in accordance with current edition of National Electrical Code (NFPA 70) and local codes & ordinances.



* When installing freezer adjacent to wall, cabinet or other appliance that extends beyond front edge of unit, 20" minimum clearance recommended to allow for optimum 140° door swing, providing complete basket access and removal. (Absolute 3" minimum clearance will ONLY allow for 90° door swing which will provide limited basket access with restricted removal.)

NOTE: Always consult local and national electric codes. Refer to Product Installation Guide for detailed installation instructions on the web at frigidaire.com.



Product Dimensions	
A - Height (Including Hinges)	71-1/4"
B - Width	32"
C - Depth (Including Door)	31-1/8"
D - Depth with Door Open 90°	59-3/8"

Free Manuals Download Website

<http://myh66.com>

<http://usermanuals.us>

<http://www.somanuals.com>

<http://www.4manuals.cc>

<http://www.manual-lib.com>

<http://www.404manual.com>

<http://www.luxmanual.com>

<http://aubethermostatmanual.com>

Golf course search by state

<http://golfingnear.com>

Email search by domain

<http://emailbydomain.com>

Auto manuals search

<http://auto.somanuals.com>

TV manuals search

<http://tv.somanuals.com>