

FRIGIDAIRE

GALLERY



Microwave Combination Oven

FGMC2765K W/B

27" Electric



Signature Features



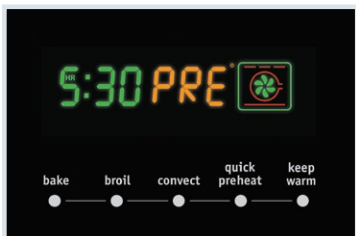
Fits-More™ Microwave

Extra-large microwave provides 2.0 cubic feet of cooking space.



Effortless™ Reheat

Reheat almost anything at the touch of a button.



Quick Preheat

Preheat in less than six minutes.¹



True Convection

Multi-rack baking is faster and more even with True Convection.

MICROWAVE

Performance-Driven Style

- SpaceWise™ Rack
- Sensor Cooking
- 3 Auto Cook Options
- 7 User Preference Options
- Side Controls
- 1,100 Watts

More Easy-To-Use Features

- Keep Warm Setting
- Auto-Start Heat Sensor
- 2-Level Light (Hi/Low)
- 16" Glass Turntable

One-Touch Options

- Add-30-Seconds
- Chicken Nuggets
- Pizza Slice
- Baked Potato
- Beverage

Capacity

2.0 Cu. Ft. Capacity

WALL OVEN

Powerful Performance

- Effortless™ Convection Conversion
- Quick Clean Options
- Power Broil (4,000W)

Performance-Driven Style

- Express-Select™ Controls
- Even Baking Technology

SpaceWise™ Design

- SpaceWise™ Half Rack

One-Touch Options

- Keep Warm
- Chicken Nuggets
- Pizza
- Add-a-Minute

More Easy-To-Use Features

- Hidden Bake
- Extra-Large Window

Sabbath Mode (Star-K® Certified)

Capacity

3.5 Cu. Ft. Oven Capacity

Overall Exterior Dimensions

Height	42-3/4"
Width	27"
Depth	24-1/2"

Available in:



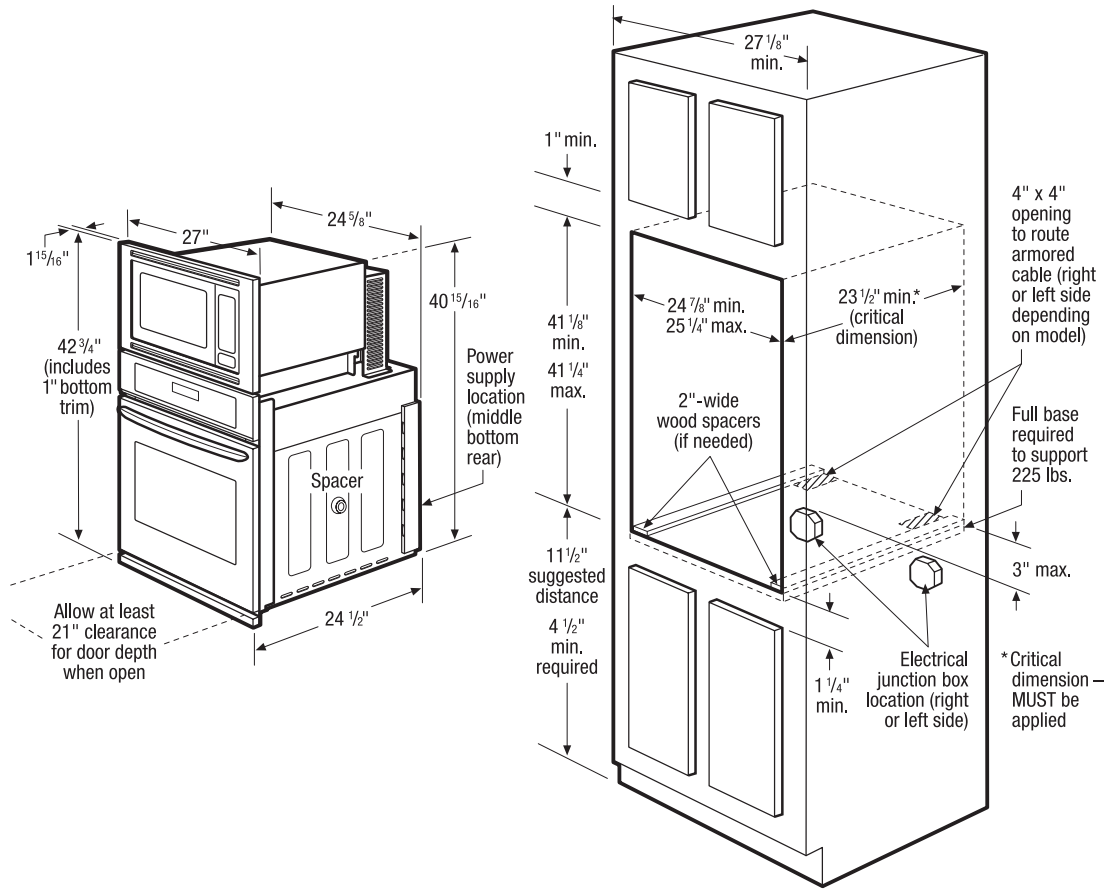
White
(W)



Black
(B)

¹Based on single rack cooking performance, not set temperature, using Quick Preheat.

frigidaire.com



Microwave Combination Oven Specifications

- Product Shipping Weight (approx.) - 220 Lbs.
- Single phase 3- or 4-wire cable, 120/240 or 120/208 Volt, 60 Hertz AC only electrical supply with ground required on separate circuit fused on both sides of line.
- Connected Load (kW Rating) @ 240/208 Volts = 6.8/5.1kW
- Amps @ 240/208 Volts = 28/25 Amps
- Recommended Circuit Breaker - 30 Amps
- Always consult local and national electric codes.
- Minimum 21" clearance for oven door depth when open.
- Suggested distance from floor is 11-1/2". Minimum required distance is 4-1/2".

- Minimum 23-1/2" deep cutout dimension is critical for proper installation, to ensure that oven's faceplate will fit flush against cabinet front.
- Full oven base of solid plywood or similar material required, capable of supporting 225 Lbs.
- Base must be level and cabinet front must be square.
- Microwave Combination Ovens are NOT approved to be used in stackable or side-by-side installation.

Note: For planning purposes only. Refer to Product Installation Guide on the web at frigidaire.com for detailed instructions.

Free Manuals Download Website

<http://myh66.com>

<http://usermanuals.us>

<http://www.somanuals.com>

<http://www.4manuals.cc>

<http://www.manual-lib.com>

<http://www.404manual.com>

<http://www.luxmanual.com>

<http://aubethermostatmanual.com>

Golf course search by state

<http://golfingnear.com>

Email search by domain

<http://emailbydomain.com>

Auto manuals search

<http://auto.somanuals.com>

TV manuals search

<http://tv.somanuals.com>