

Fixed Focal (8mm)

YF8A-SA2B

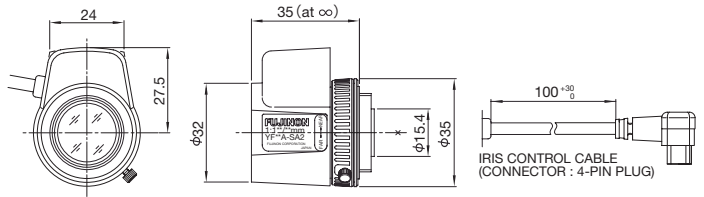
Applicable camera (model) 1 2/3 1/2 1/3 1/4 For Security

Fixed Focal DC Auto Iris CS Mount ND Filter Long Cable Large Aperture Ratio RoHS Compliant

FIXED **DC** **CS-mt** **ND** **230** **F1.2** **RoHS**



* Photograph is a similar model.



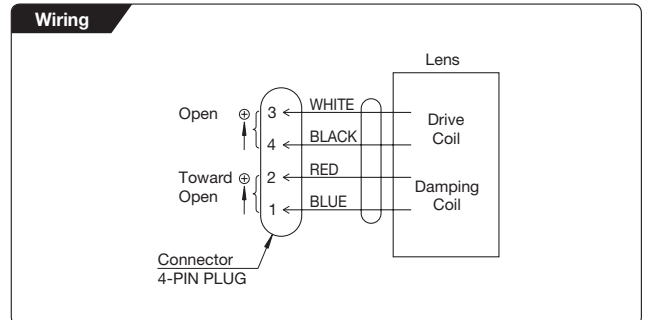
Unit : mm

YF8A-SA2B

Focal Length (mm)		8
Iris Range		F1.2 - T360(Equivalent to F360)
Operation	Focus	Manual
	Iris	Auto(DC Type)*1
Angle Of View (HxV)	1/3"	33°24' × 25°22'
	1/4"	25°22' × 19°09'
Focusing Range (From Front Of The Lens)(m)		∞ - 0.1
Object Dimensions at M.O.D. (HxV)(mm)	1/3"	71 × 53
	1/4"	53 × 40
Back Focal Distance (in air) (mm)		8.81
Exit Pupil Position (From Image Plane) (mm)		-147
Filter Thread (mm)		-
Mount		CS
Mass (g)		40
Coil Resistance		Drive Coil 200 Ω Damping Coil 600 Ω
Current Consumption		22mA(Max.) at DC 4V
Remarks		(*1) The iris automatically closes when the camera is turned off. YF8A-SA2LB:Long Cable Type(230mm)

* Each of the above products is also available in manual type.

Wiring



Free Manuals Download Website

<http://myh66.com>

<http://usermanuals.us>

<http://www.somanuals.com>

<http://www.4manuals.cc>

<http://www.manual-lib.com>

<http://www.404manual.com>

<http://www.luxmanual.com>

<http://aubethermostatmanual.com>

Golf course search by state

<http://golfingnear.com>

Email search by domain

<http://emailbydomain.com>

Auto manuals search

<http://auto.somanuals.com>

TV manuals search

<http://tv.somanuals.com>