



**SPLIT TYPE  
ROOM AIR CONDITIONER**

**CEILING** type (50Hz)

**SERVICE  
MANUAL**



**Models**

**Indoor unit**

R<sub>Y</sub>-36FA

R<sub>Y</sub>-36UA

**Outdoor unit**

R<sub>O</sub>-36FA

R<sub>O</sub>-36UA

**CONTENTS**

|                                   |    |
|-----------------------------------|----|
| SPECIFICATIONS .....              | 1  |
| DIMENSIONS .....                  | 2  |
| REFRIGERANT SYSTEM DIAGRAM .....  | 4  |
| CIRCUIT DIAGRAM .....             | 5  |
| INDOOR PCB CIRCUIT DIAGRAM .....  | 7  |
| OUTDOOR PCB CIRCUIT DIAGRAM ..... | 9  |
| ERROR CONTENTS .....              | 10 |
| DISASSEMBLY ILLUSTRATION .....    | 11 |
| PARTS LIST .....                  | 23 |
| STANDARD ACCESSORIES .....        | 25 |

**FUJITSU GENERAL LIMITED**

# SPECIFICATIONS

|                  |      |         |                   |
|------------------|------|---------|-------------------|
| TYPE             |      | COOLING | COOLING & HEATING |
| INDOOR UNIT      |      | RY-36FA | RY-36UA           |
| OUTDOOR UNIT     |      | RO-36FA | RO-36UA           |
| COOLING CAPACITY | (kW) | 10.5    |                   |
| HEATING CAPACITY | (kW) | —       | 11.80             |

## ELECTRICAL DATA

|                     |         |           |      |
|---------------------|---------|-----------|------|
| POWER SOURCE        |         | 3N ~ 400V |      |
| FREQUENCY           |         | 50Hz      |      |
| RUNNING CURRENT (A) | COOLING | 6.20      | 5.90 |
|                     | HEATING | —         | 6.20 |
| INPUT WATTS (kW)    | COOLING | 3.74      | 3.48 |
|                     | HEATING | —         | 3.45 |
| E.E.R. (kW/kW)      | COOLING | 2.81      | 3.02 |
|                     | HEATING | —         | 3.42 |
| MOISTURE REMOVAL    | (ℓ/hr)  | 4.0       |      |
| AIR CIRCULATION     | (m³/hr) | 1,660     |      |

## COMPRESSOR

|                |   |
|----------------|---|
| TYPE           | Hermetic type, 2 poles, 3 phase,<br>Twin Rotary |
| DISCRIMINATION | 5JD420PAA02                                     |

## FAN MOTOR

|                  |                    |               |
|------------------|--------------------|---------------|
| POWER SOURCE (V) |                    | 230           |
| INDOOR UNIT      | DISCRIMINATION     | MFA-45DZM     |
|                  | HI-SPEED (r.p.m.)  | 1,000         |
|                  | MED-SPEED (r.p.m.) | 900           |
|                  | LO-SPEED (r.p.m.)  | 750           |
| OUTDOOR UNIT     | DISCRIMINATION     | MFB-30PTT X 2 |
|                  | HI-SPEED (r.p.m.)  | 780           |

## DIMENSIONS

|              |                |                   |
|--------------|----------------|-------------------|
| INDOOR UNIT  | H x W x D (mm) | 240 x 1,660 x 700 |
| OUTDOOR UNIT | H x W x D (mm) | 1,165 x 900 x 330 |

## WEIGHT

|              |                  |         |          |
|--------------|------------------|---------|----------|
| INDOOR UNIT  | GROSS / NET (kg) | 61 / 48 |          |
| OUTDOOR UNIT | GROSS / NET (kg) | 87 / 80 | 101 / 94 |

## ADDITIONAL REFRIGERANT CHARGE (R410A)

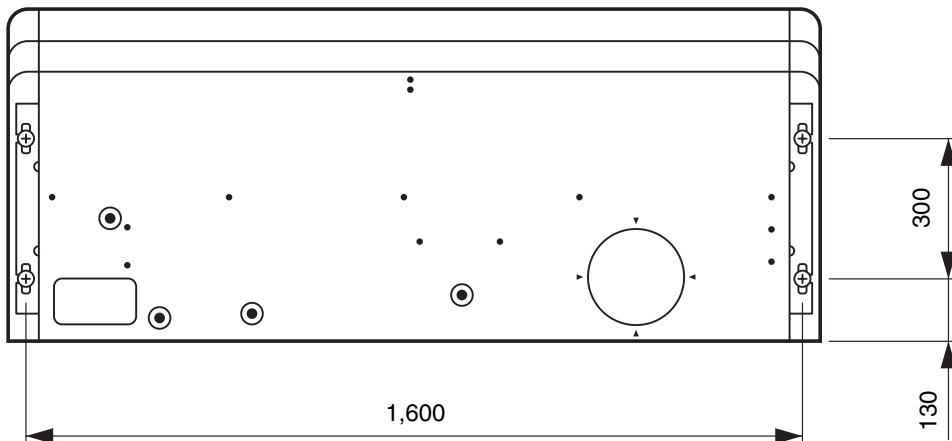
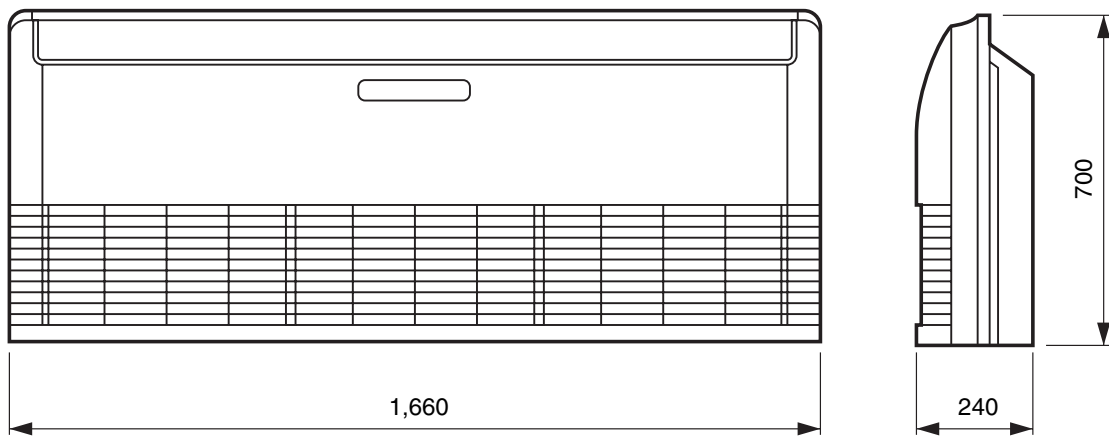
|                     |             |        |         |         |
|---------------------|-------------|--------|---------|---------|
| FULL CHARGE AMOUNT  | PIPE LENGTH | 20 m   | 2,000 g | 3,200 g |
|                     |             | 30 m   | 2,300 g | 3,500 g |
|                     |             | 40 m   | 2,600 g | 3,800 g |
|                     |             | 50 m   | 2,900 g | 4,100 g |
| MAX PIPE LENGTH (m) |             | 50     |         |         |
| MAX PIPE HEIGHT (m) |             | 30     |         |         |
| ADDITIONAL CHARGE   |             | 30 g/m |         |         |

# DIMENSIONS

(Unit : mm)

## INDOOR UNIT

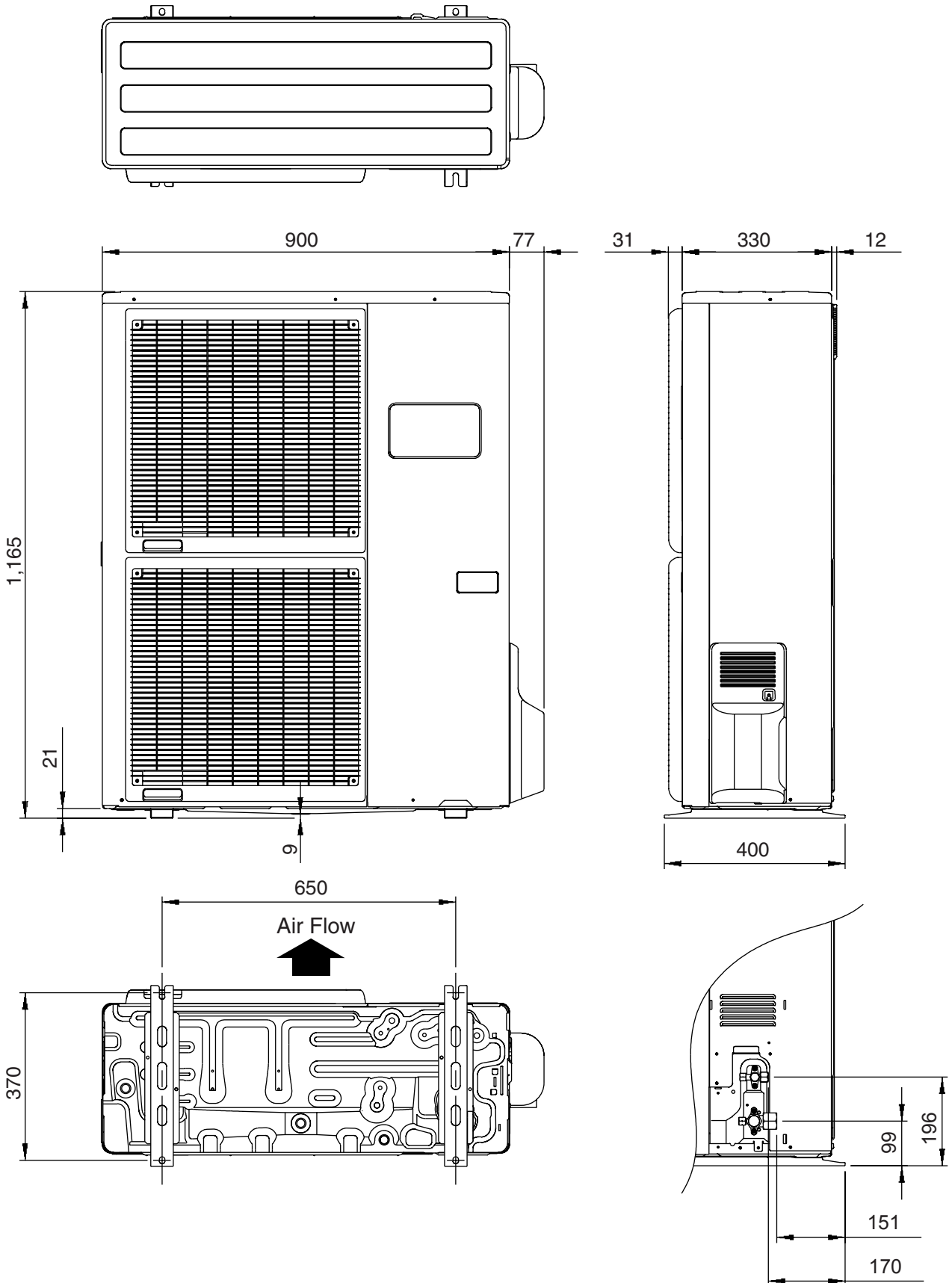
Models : RY-36FA  
RY-36UA



# OUTDOOR UNIT

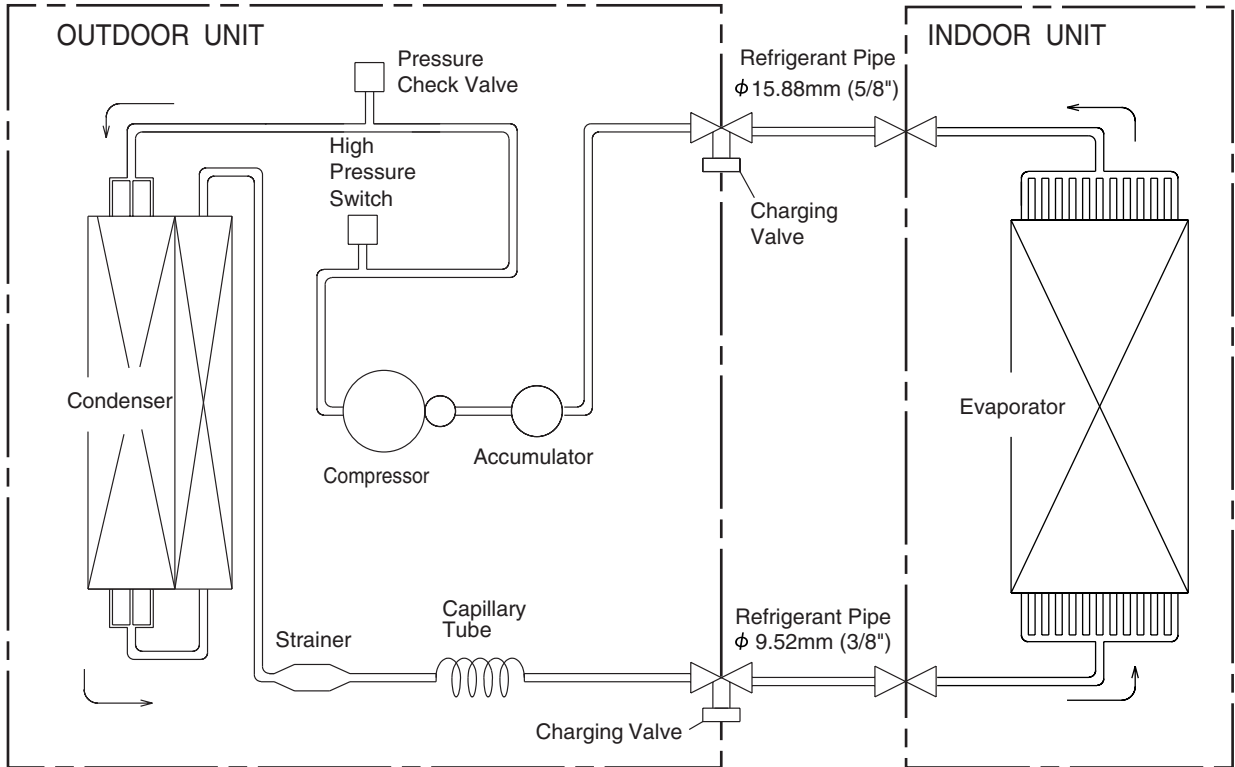
Models : RO-36FA  
RO-36UA

(Unit : mm)

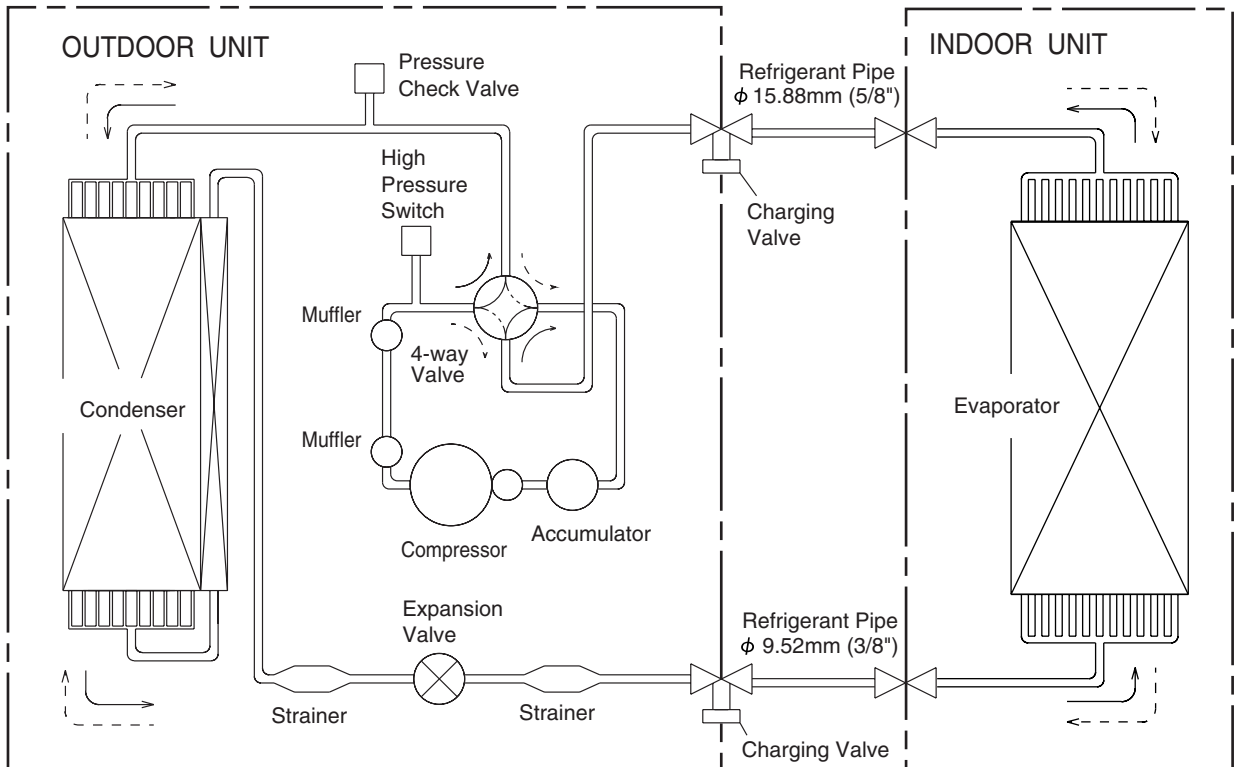


# REFRIGERANT SYSTEM DIAGRAM

**Models : RY-36FA / RO-36FA**



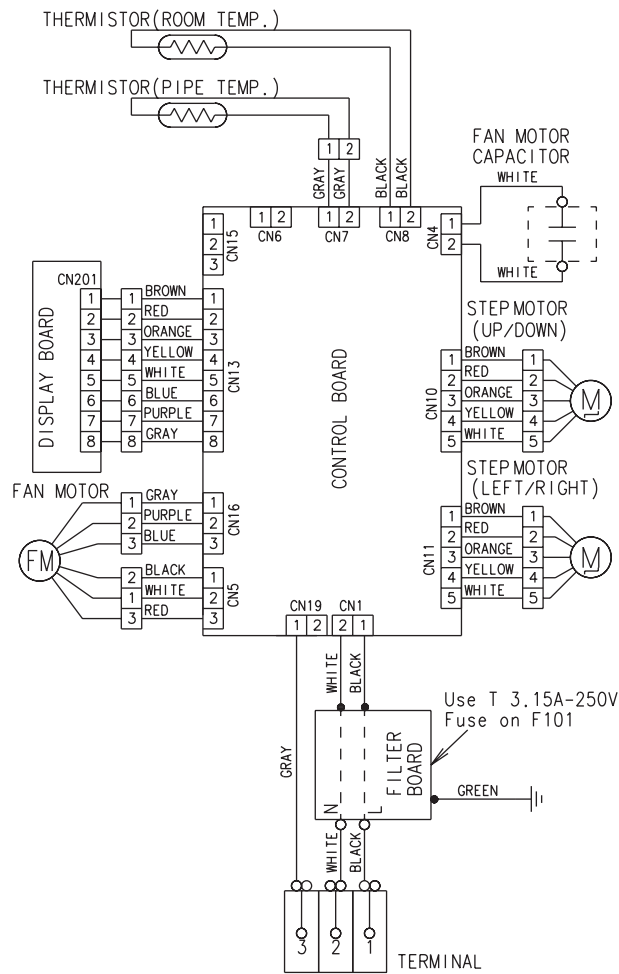
**Models : RY-36UA / RO-36UA**



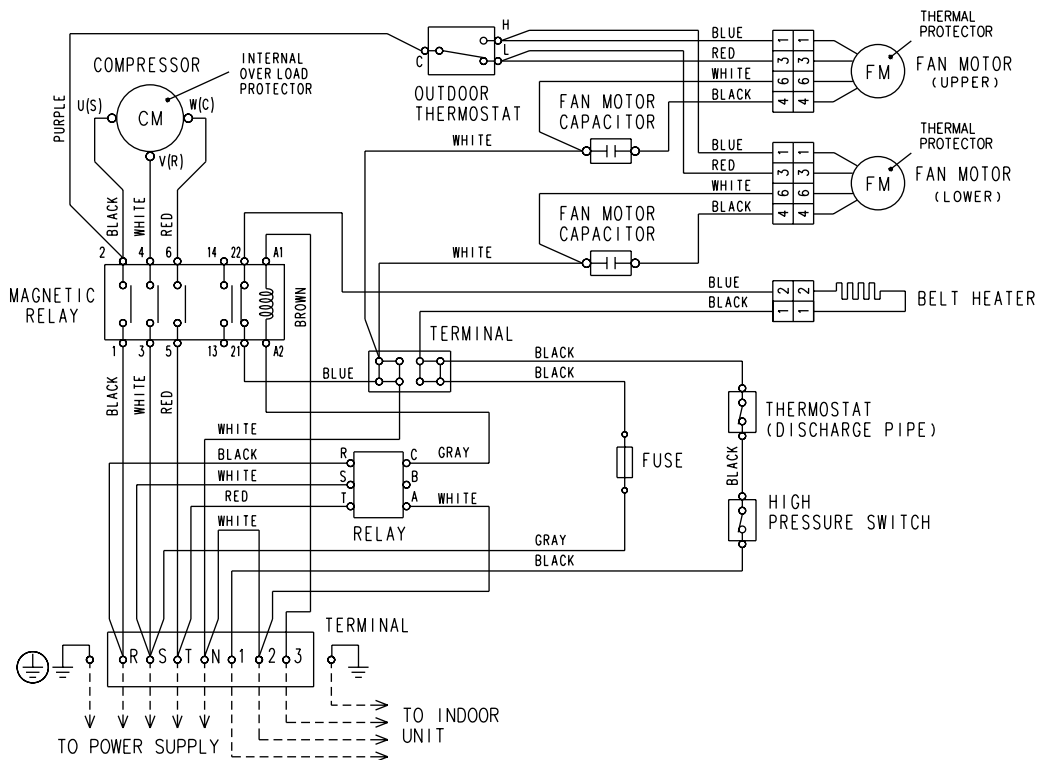
—> : COOL  
 - - -> : HEAT

# CIRCUIT DIAGRAM

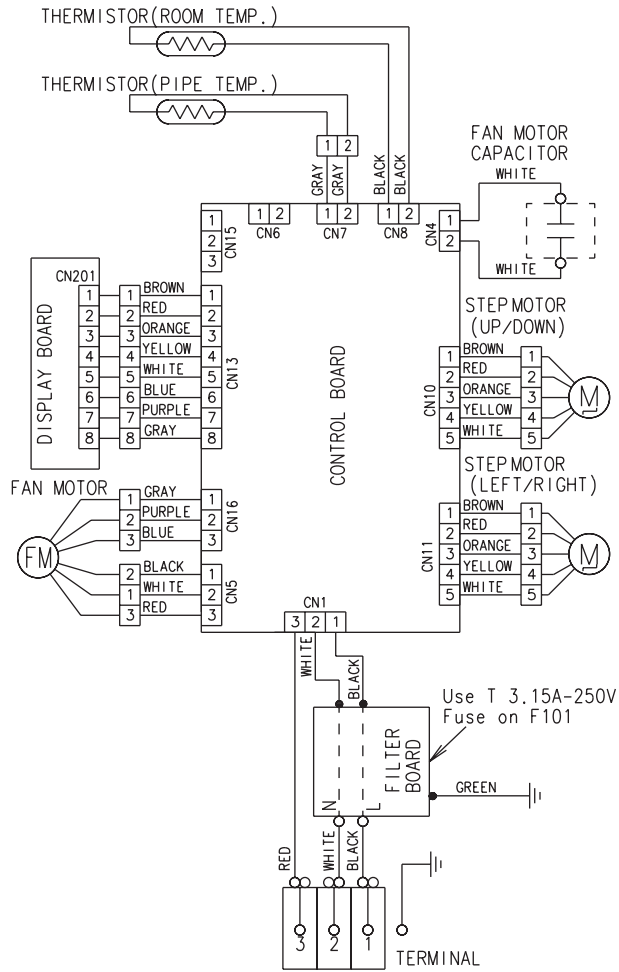
## Model : RY-36FA



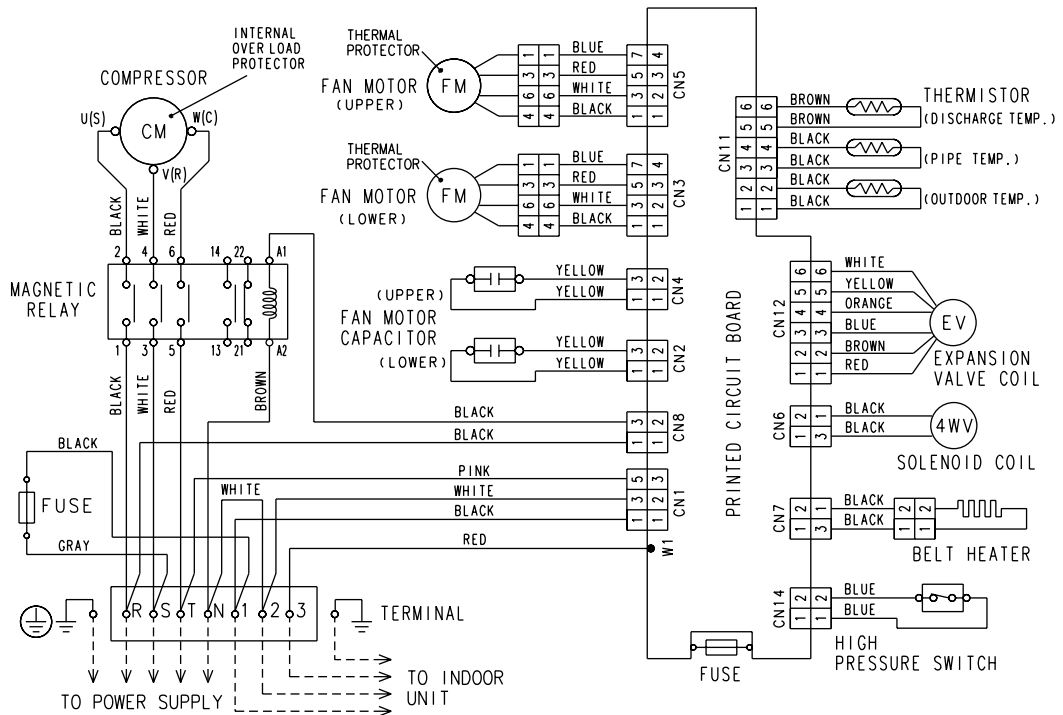
## Model : RO-36FA



**Model : RY-36UA**



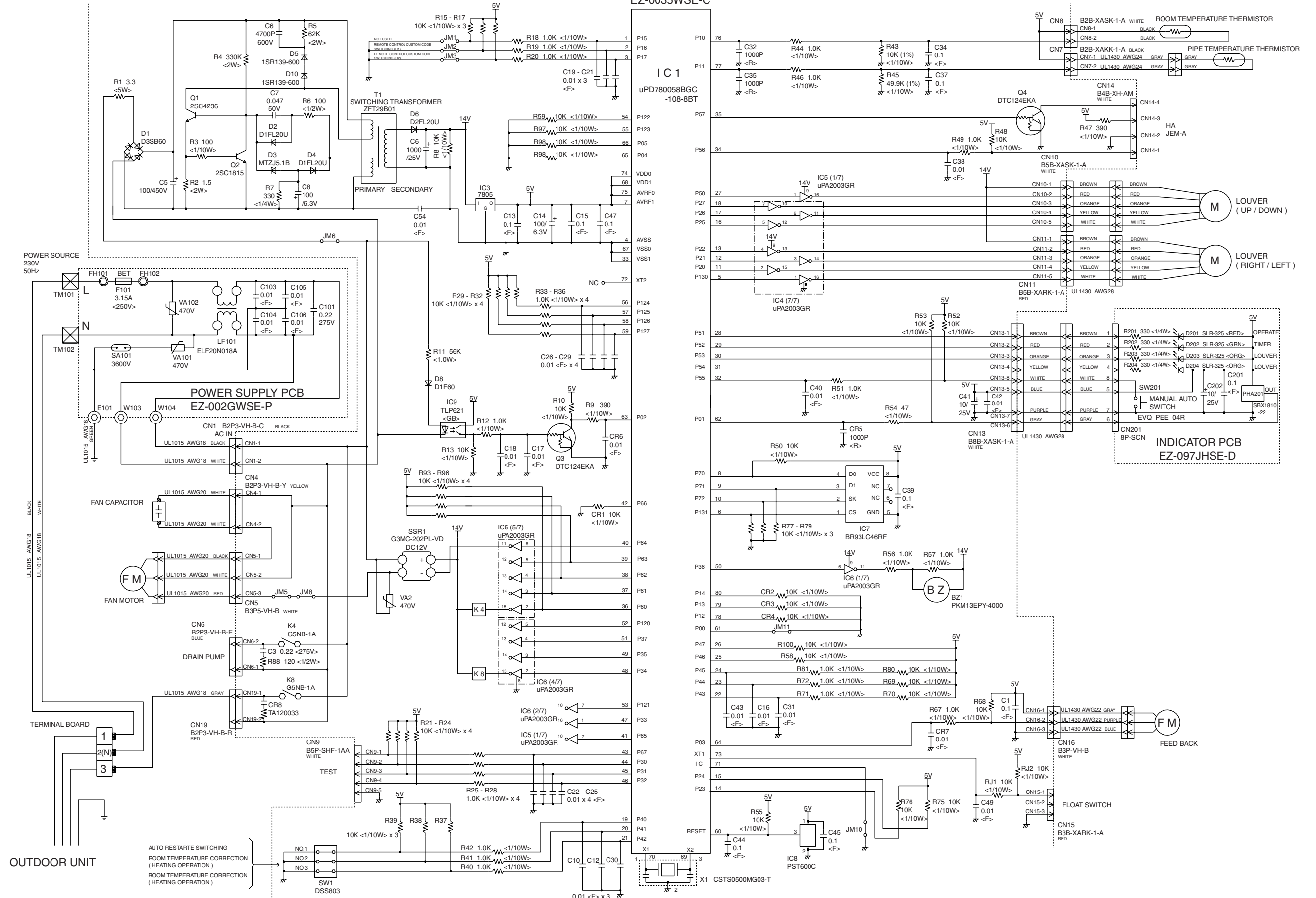
**Model : RO-36UA**



# INDOOR PCB CIRCUIT DIAGRAM

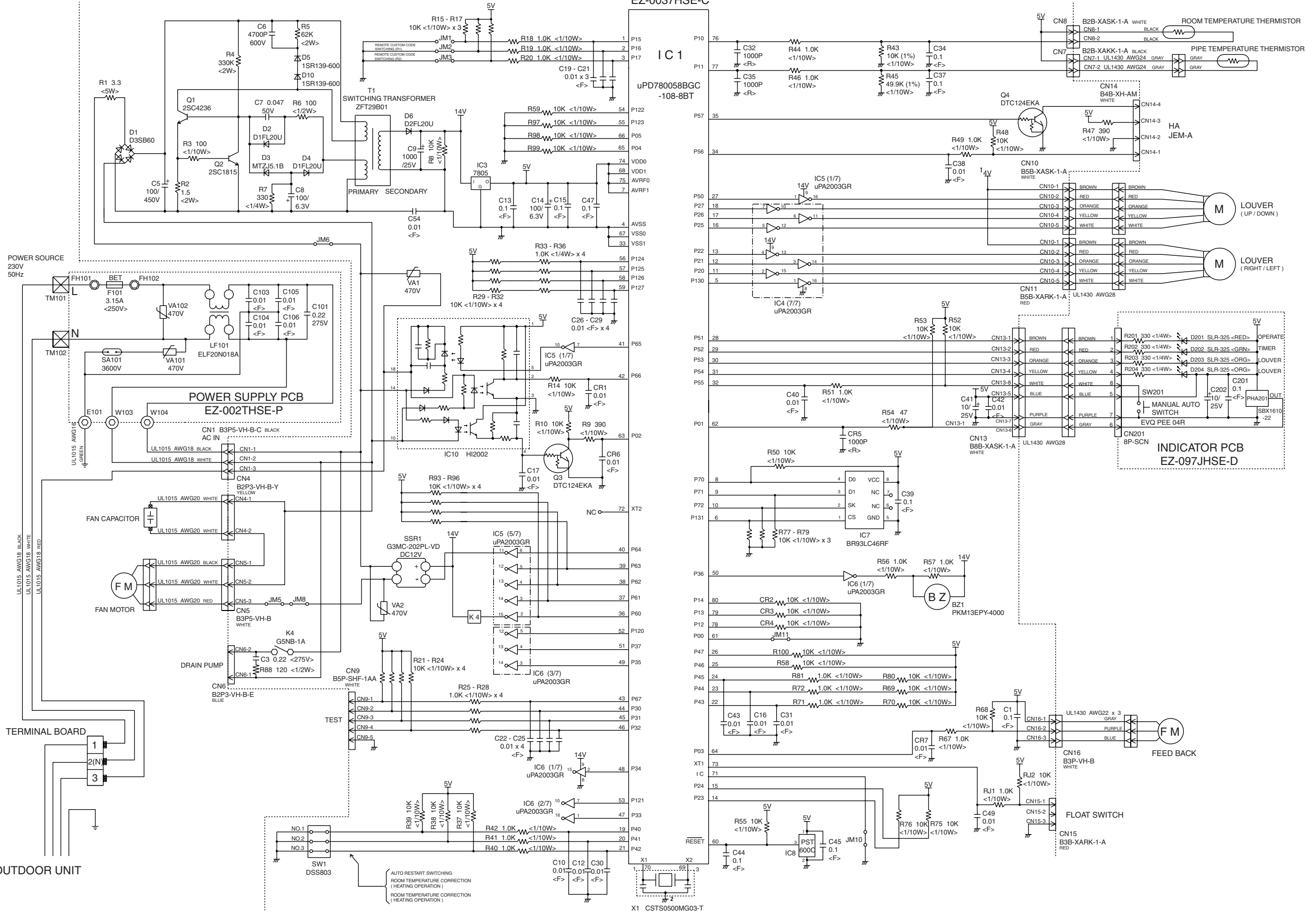
Model : RY-36FA

## CONTROLLER PCB ASSEMBLY ( MAIN PCB ) EZ-0035WSE-C





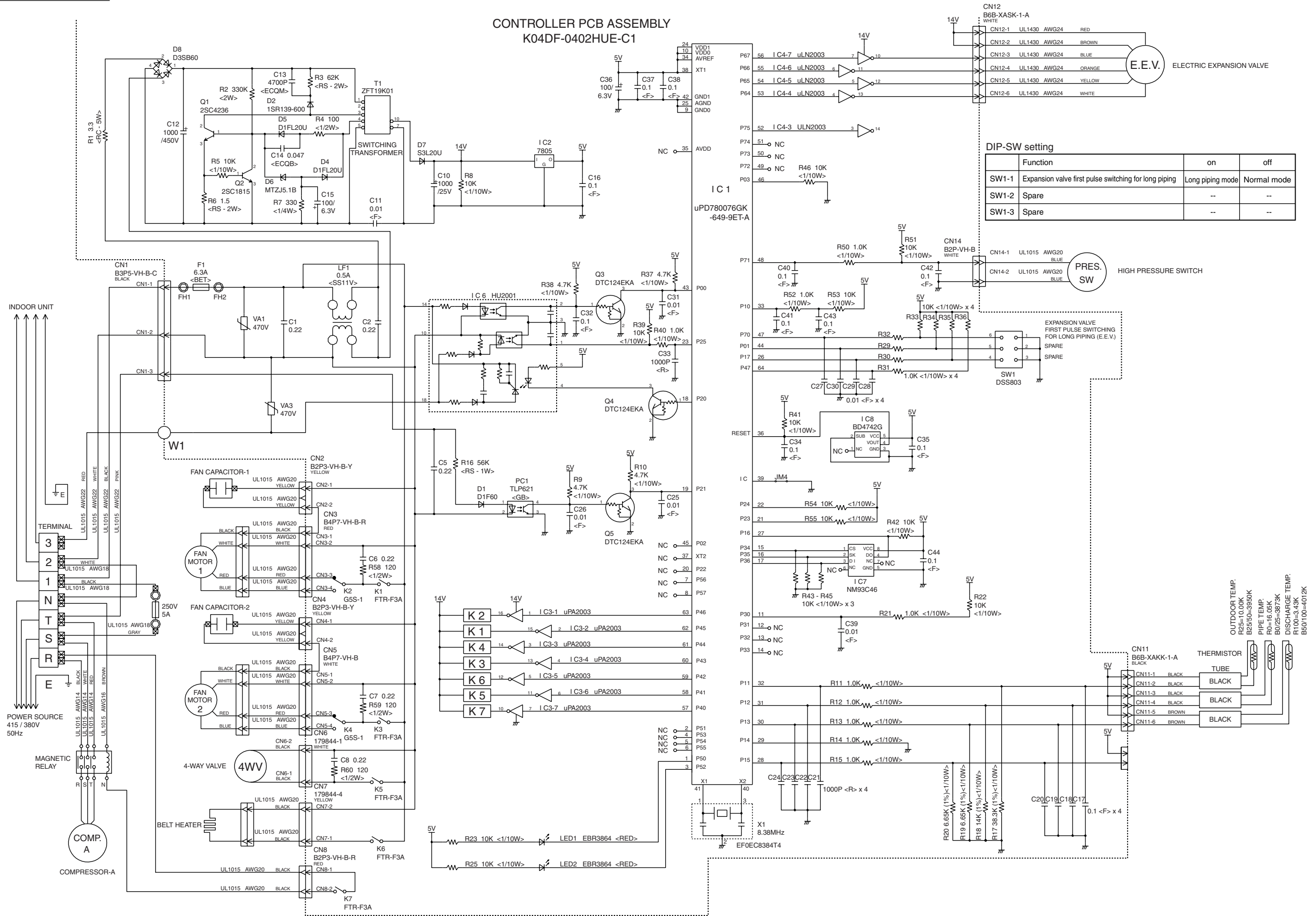
CONTROLLER PCB ASSEMBLY (MAIN PCB)  
EZ-0037HSE-C



# OUTDOOR PCB CIRCUIT DIAGRAM

Model : RO-36UA

## CONTROLLER PCB ASSEMBLY K04DF-0402HUE-C1



**DIP-SW setting**

|       | Function  | on               | off         |
|-------|---|------------------|-------------|
| SW1-1 | Expansion valve first pulse switching for long piping | Long piping mode | Normal mode |
| SW1-2 | Spare   | --               | --          |
| SW1-3 | Spare   | --               | --          |

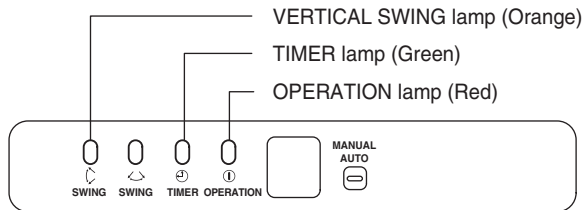
OUTDOOR TEMP.  
R25=10.00K  
R25/50=3950K  
PIPE TEMP.  
R0=16.05K  
R0/25=3873K  
DISCHARGE TEMP.  
R100=3.43K  
R50/100=4012K

# ERROR CONTENTS

## 1. INDOOR UNIT

Operation can be checked by lighting and flashing of the display section OPERATION, TIMER, and VERTICAL SWING lamps.

Perform judgment in accordance with the following.



### TEST RUNNING

When the air conditioner is run by pressing the remote control unit test run button, the OPERATION, TIMER, and VERTICAL SWING lamps flash slowly at the same time.

### ERROR

The OPERATION, TIMER, and VERTICAL SWING lamps operate as follows according to the error contents.

| OPERATION lamp (RED) | TIMER lamp (GREEN) | SWING lamp (ORANGE) | Error contents   |
|----------------------|--------------------|---------------------|--|
| ○                    | ○                  | ×                   | Indoor EEPROM abnormal   |
| ○                    | ○                  | ○                   | Outdoor EEPROM abnormal  |
| (2 times) ●          | ○                  | ×                   | Indoor room temperature sensor open  |
| (2 times) ●          | ○                  | ○                   | Indoor room temperature sensor short-circuited   |
| (3 times) ●          | ○                  | ×                   | Indoor heat exchanger temperature sensor open  |
| (3 times) ●          | ○                  | ○                   | Indoor heat exchanger temperature sensor short-circuited                                   |
| (4 times) ●          | ○                  | ×                   | Float switch operated  |
| (5 times) ●          | ○                  | ×                   | Indoor signal abnormal   |
| (5 times) ●          | ○                  | ○                   | Outdoor signal abnormal  |
| (6 times) ●          | ○                  | ×                   | Indoor fan abnormal  |
| ○                    | (2 times) ●        | ×                   | Outdoor power source connection abnormal   |
| ○                    | (3 times) ●        | ×                   | Outdoor heat exchanger temperature sensor open   |
| ○                    | (3 times) ●        | ○                   | Outdoor heat exchanger temperature sensor short-circuited                                  |
| ○                    | (4 times) ●        | ×                   | Outdoor temperature sensor open  |
| ○                    | (4 times) ●        | ○                   | Outdoor temperature sensor short-circuited   |
| ○                    | (5 times) ●        | ×                   | Outdoor discharge pipe temperature sensor or compressor temperature sensor open            |
| ○                    | (5 times) ●        | ○                   | Outdoor discharge pipe temperature sensor or compressor temperature sensor short-circuited |
| ○                    | (6 times) ●        | ×                   | Outdoor high pressure abnormal   |
| ○                    | (7 times) ●        | ×                   | Outdoor discharge pipe temperature or compressor temperature sensor abnormal               |

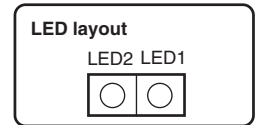
○ : 0.1s ON/0.1s OFF (flash)    × : OFF

● : 0.5s ON/0.5s OFF (flash)

## 2. OUTDOOR UNIT LEDS

Heat & Cool model (reverse cycle) only

When a malfunction occurs in the outdoor unit, the LEDs on the circuit board light to indicate the error. Refer to the following table for the description of each error according to the LEDs.



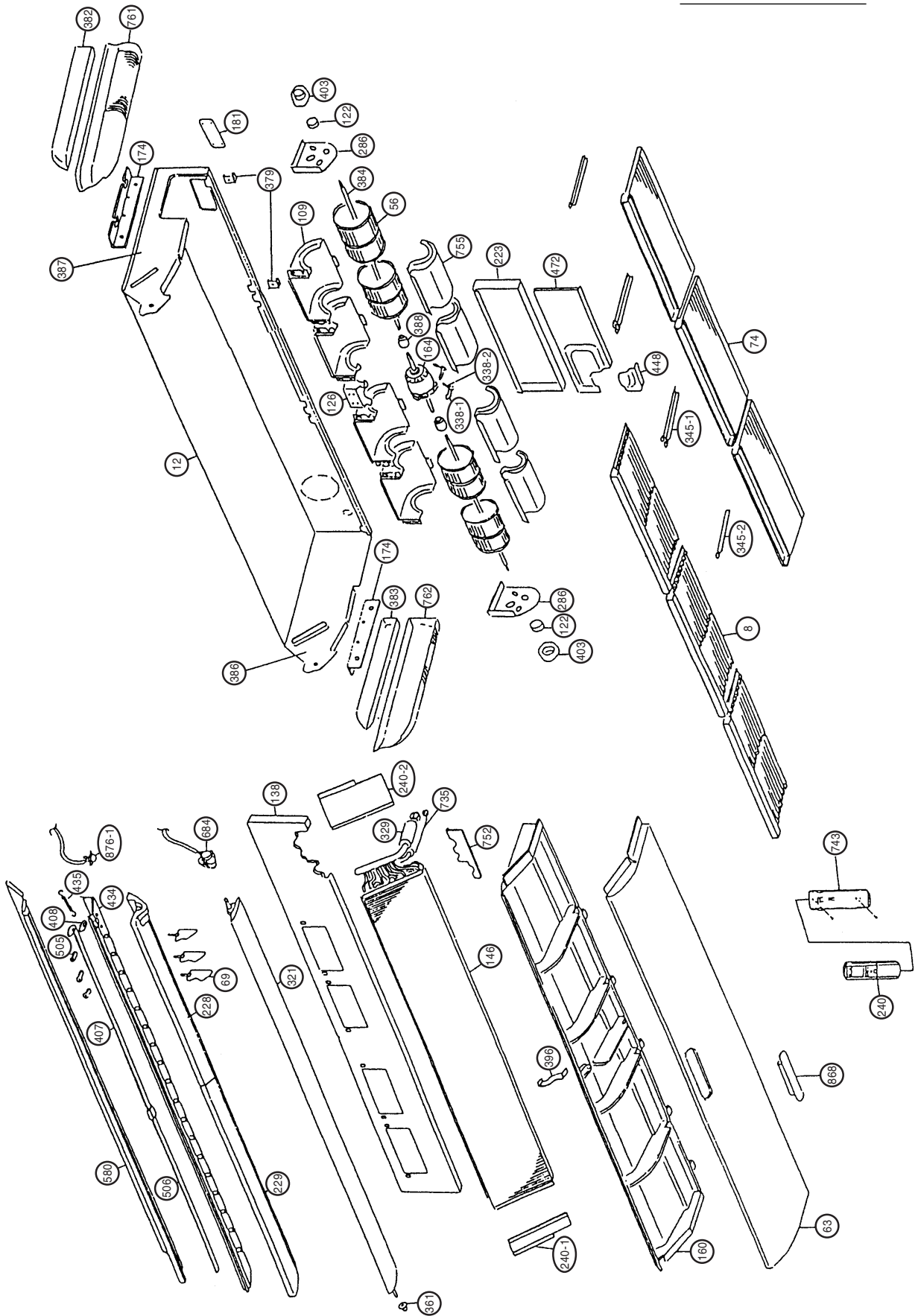
| LED1        | LED2     | Error contents                    |
|-------------|----------|-----------------------------------|
| flash       | flash    | Model abnormal or EEPROM abnormal |
| 1 flash     | Lighting | Power source connection error     |
| 2 flash     | Lighting | Discharge temp. sensor error      |
| 3 flash     | Lighting | Heat exchanger temp. sensor error |
| 4 flash     | Lighting | Outdoor temp. sensor error        |
| 5 flash     | Lighting | Communication signal error        |
| 6 flash     | Lighting | Indoor unit error                 |
| 7 flash     | Lighting | Discharge temp. abnormal          |
| 8 flash     | Lighting | High pressure abnormal            |
| 9 flash     | Lighting | Compressor temp. abnormal         |
| 10 flash    | Lighting | Compressor temp. sensor error     |
| Dislighting |          | No error. Protect operation       |

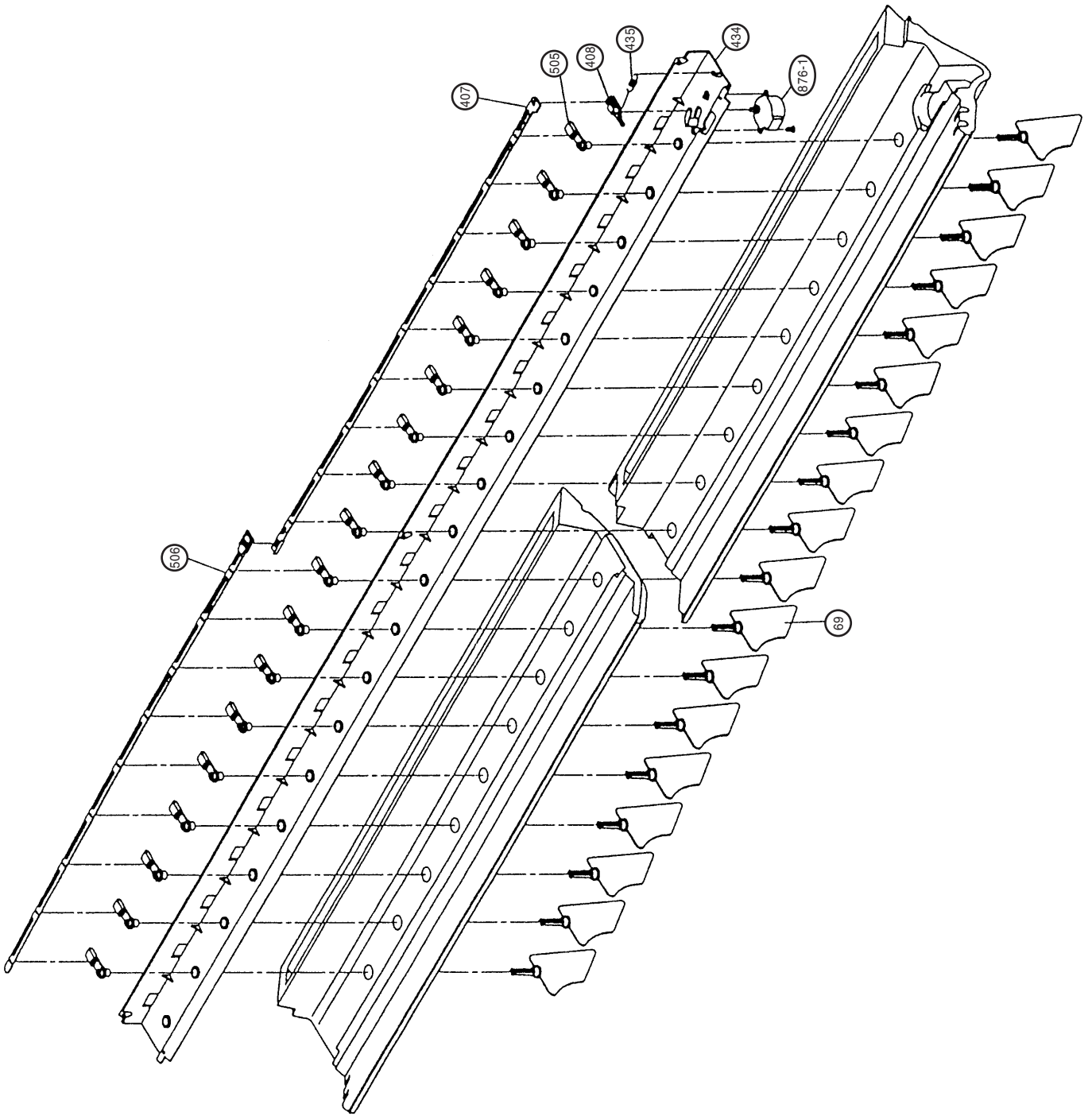
When the fault is cleared, the LED lamp goes off.

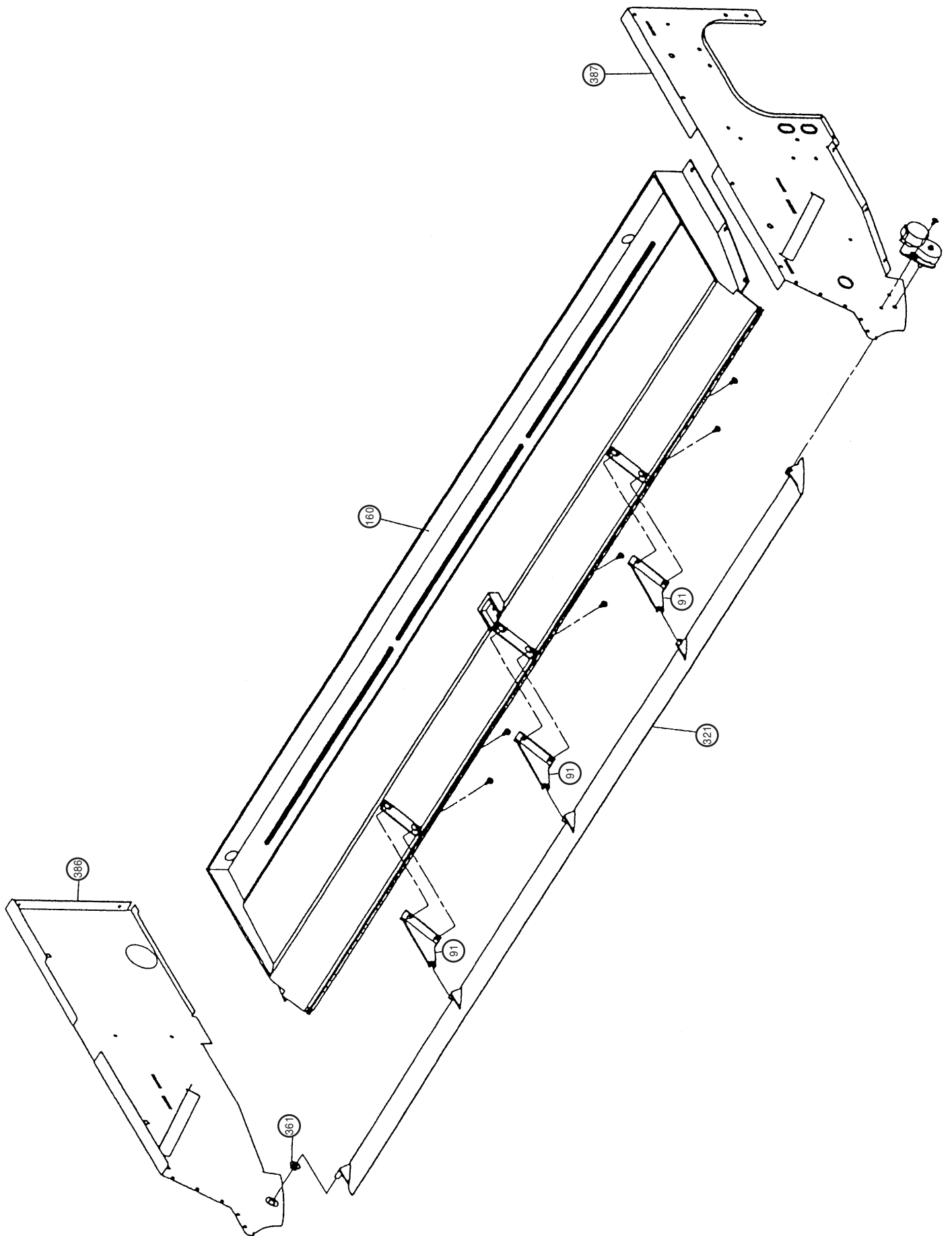
However, for discharge pipe temperature abnormal and high pressure abnormal, the LED lamp lights continuously for 24 hours, as long as the power is not turned off.

# DISASSEMBLY ILLUSTRATION

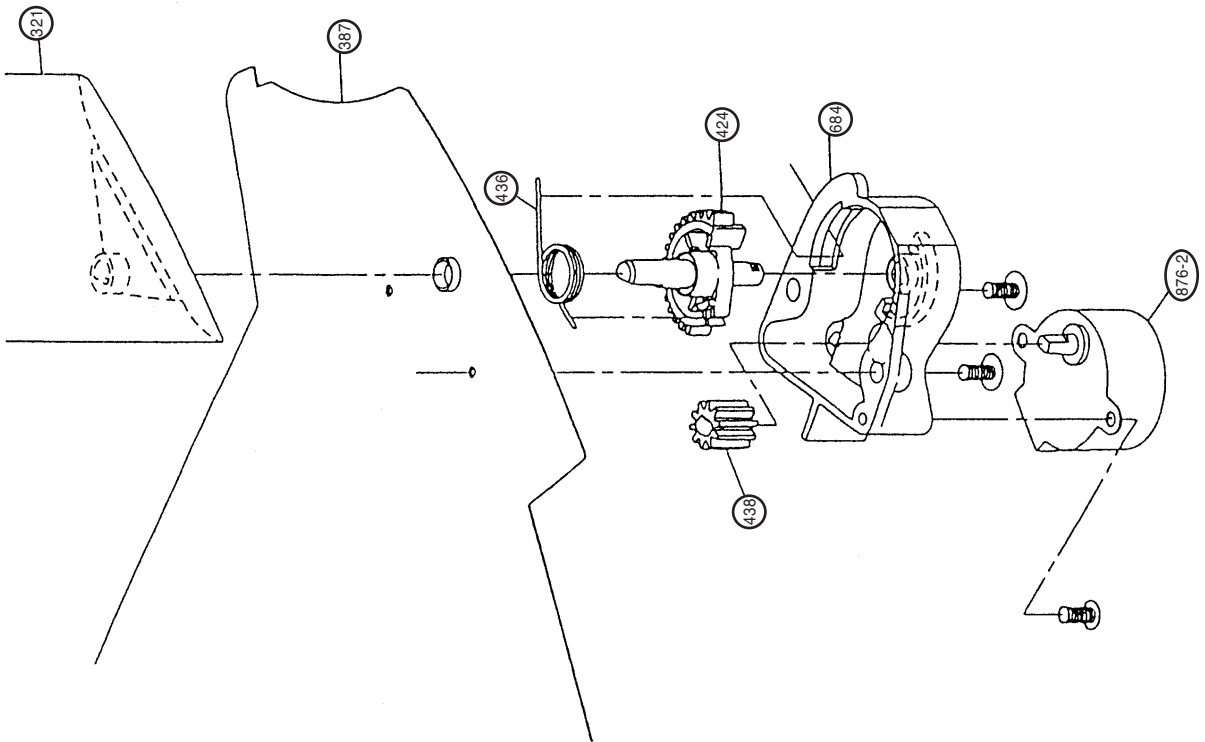
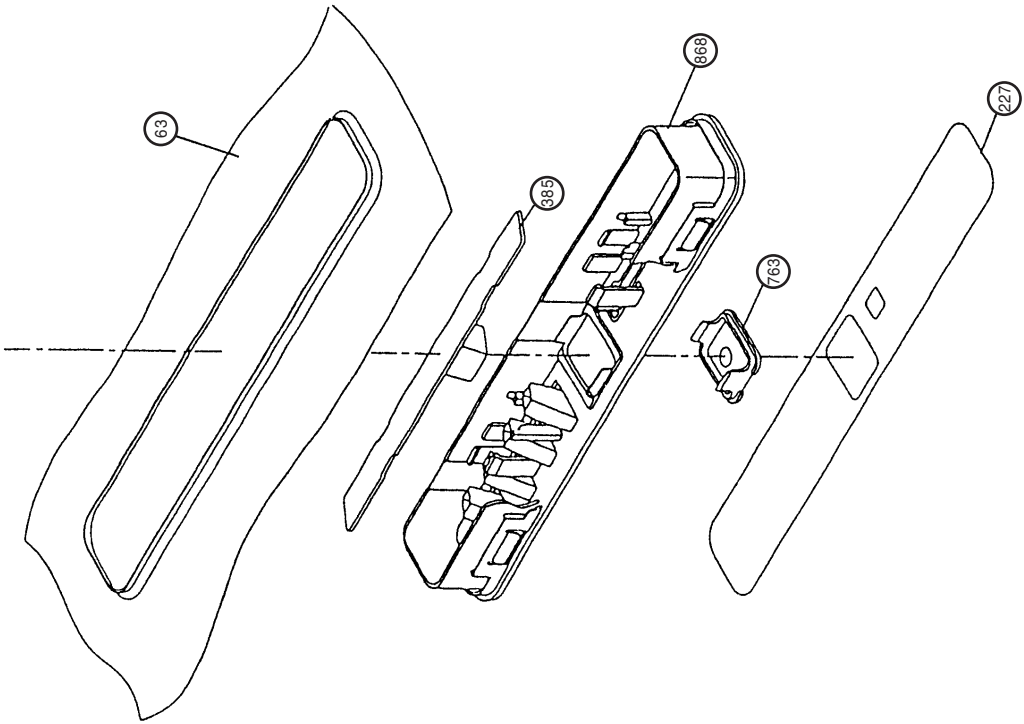
Models : RY-36FA  
RY-36UA



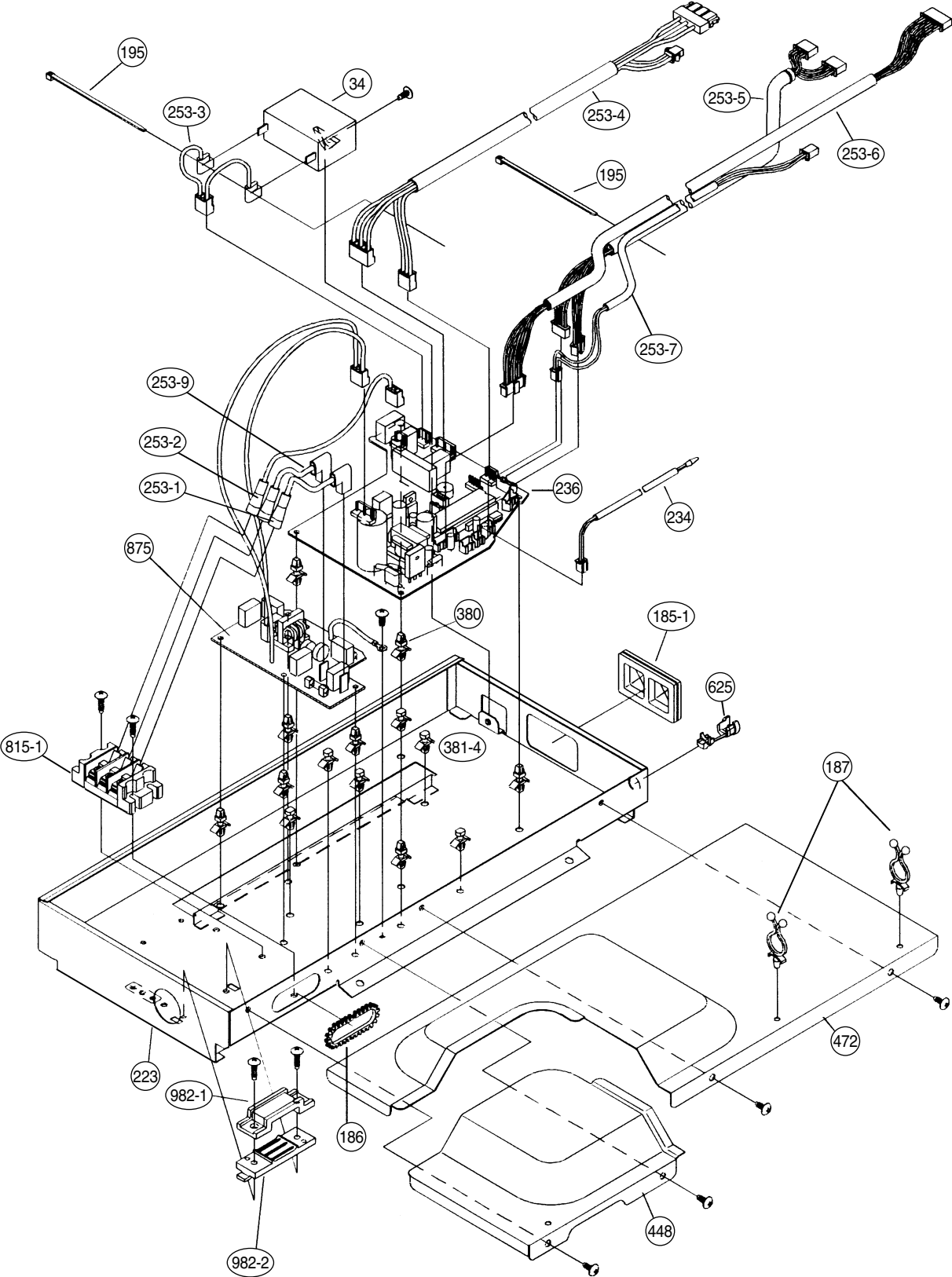






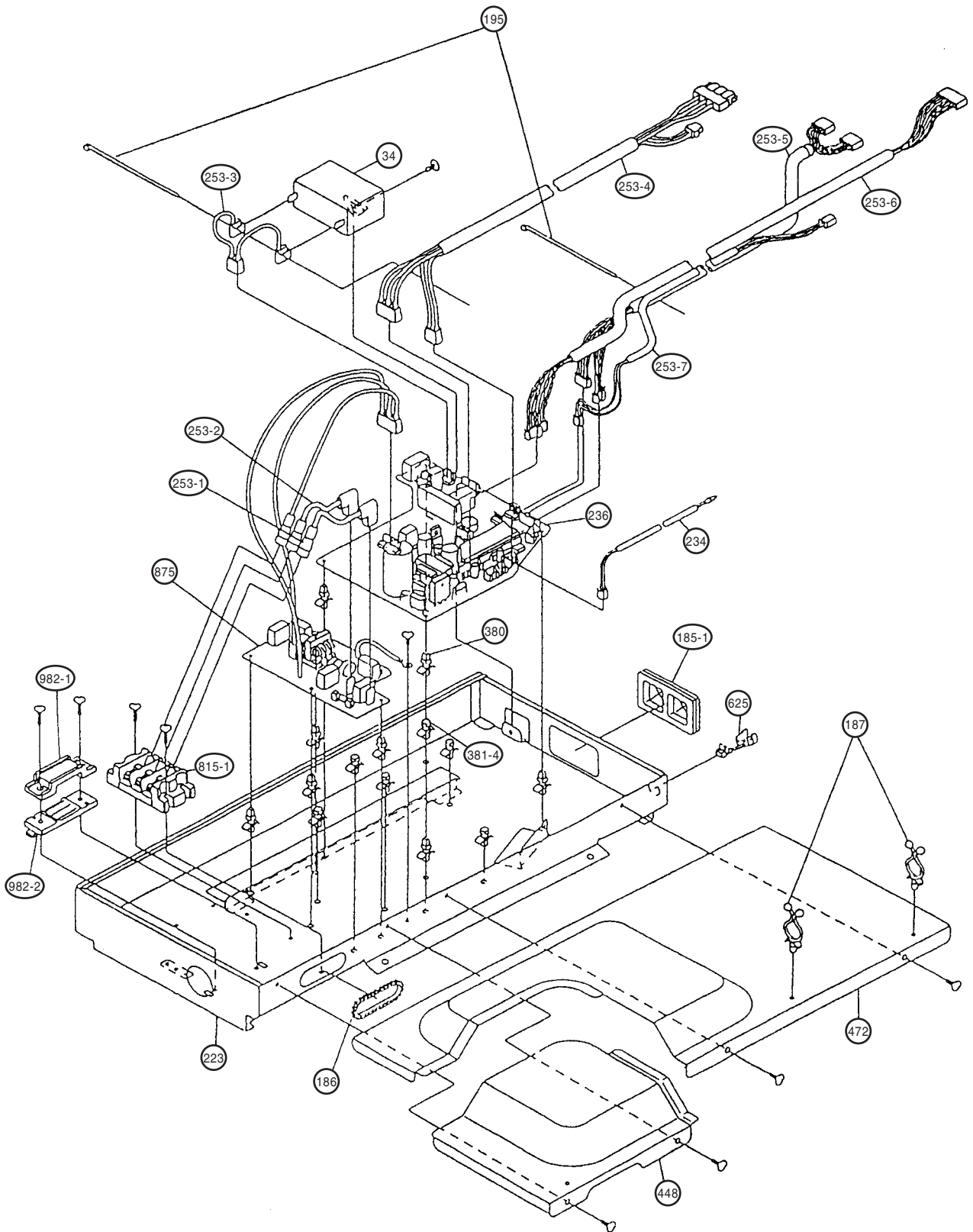


Model : RY-36FA

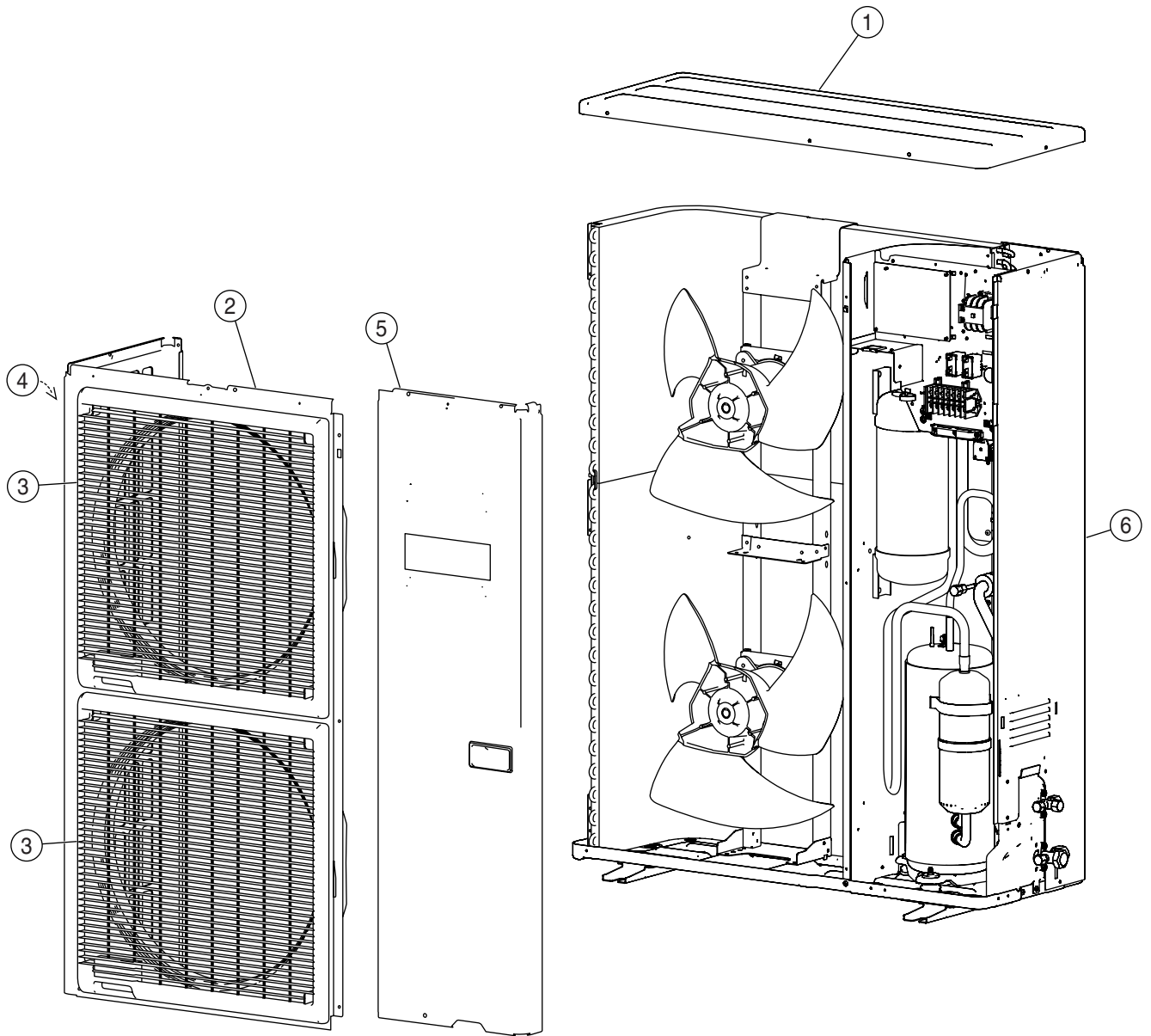


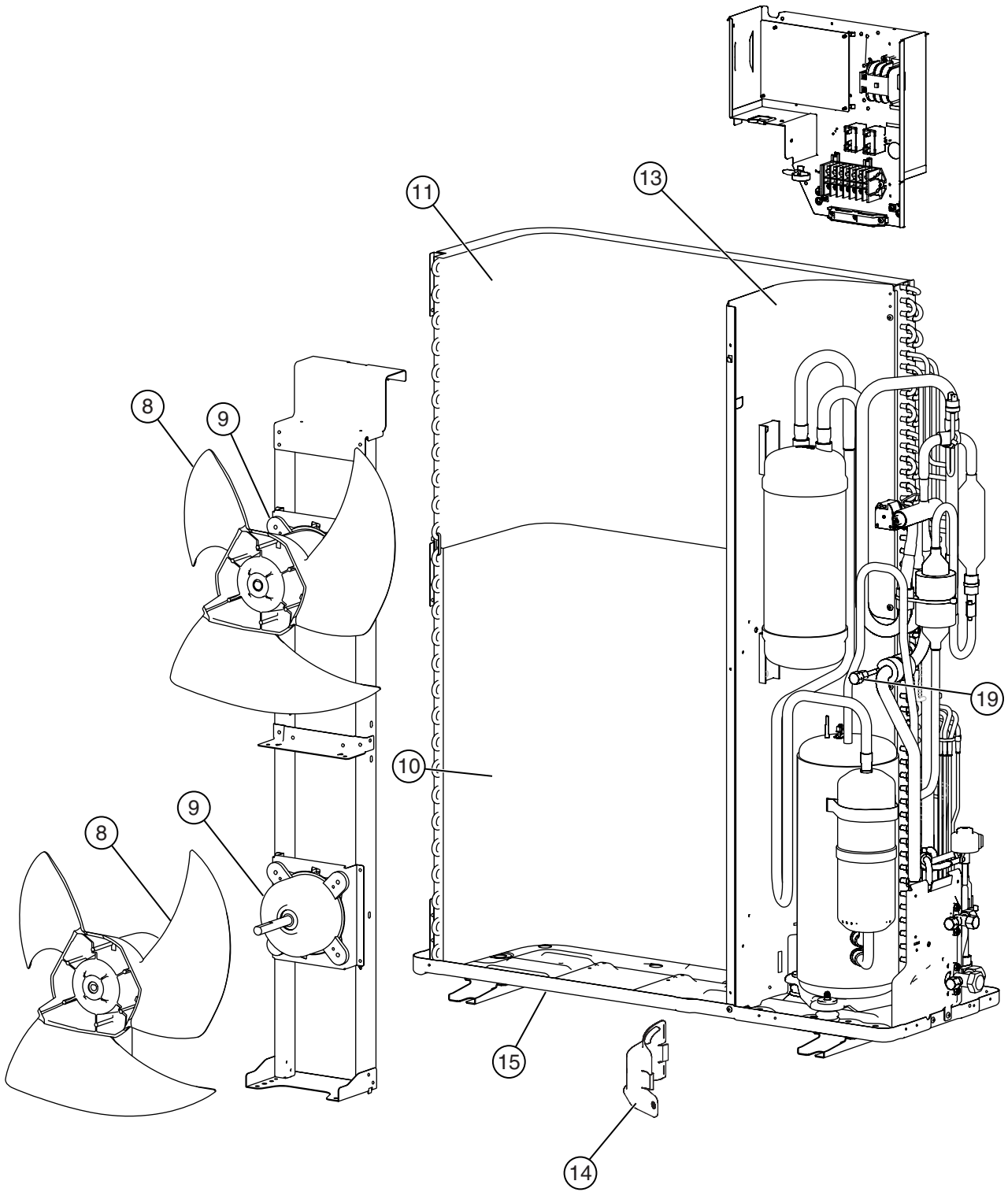


**Model : RY-36UA**

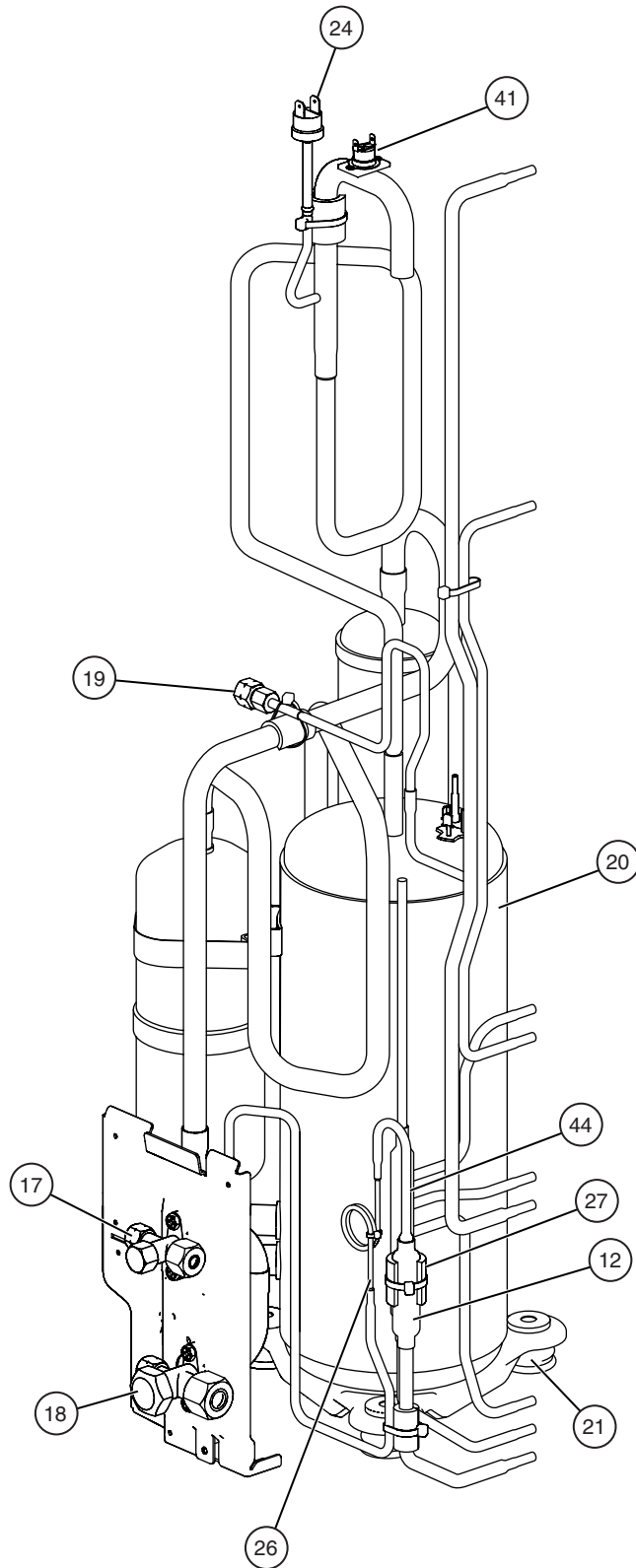


Models : RO-36FA  
RO-36UA

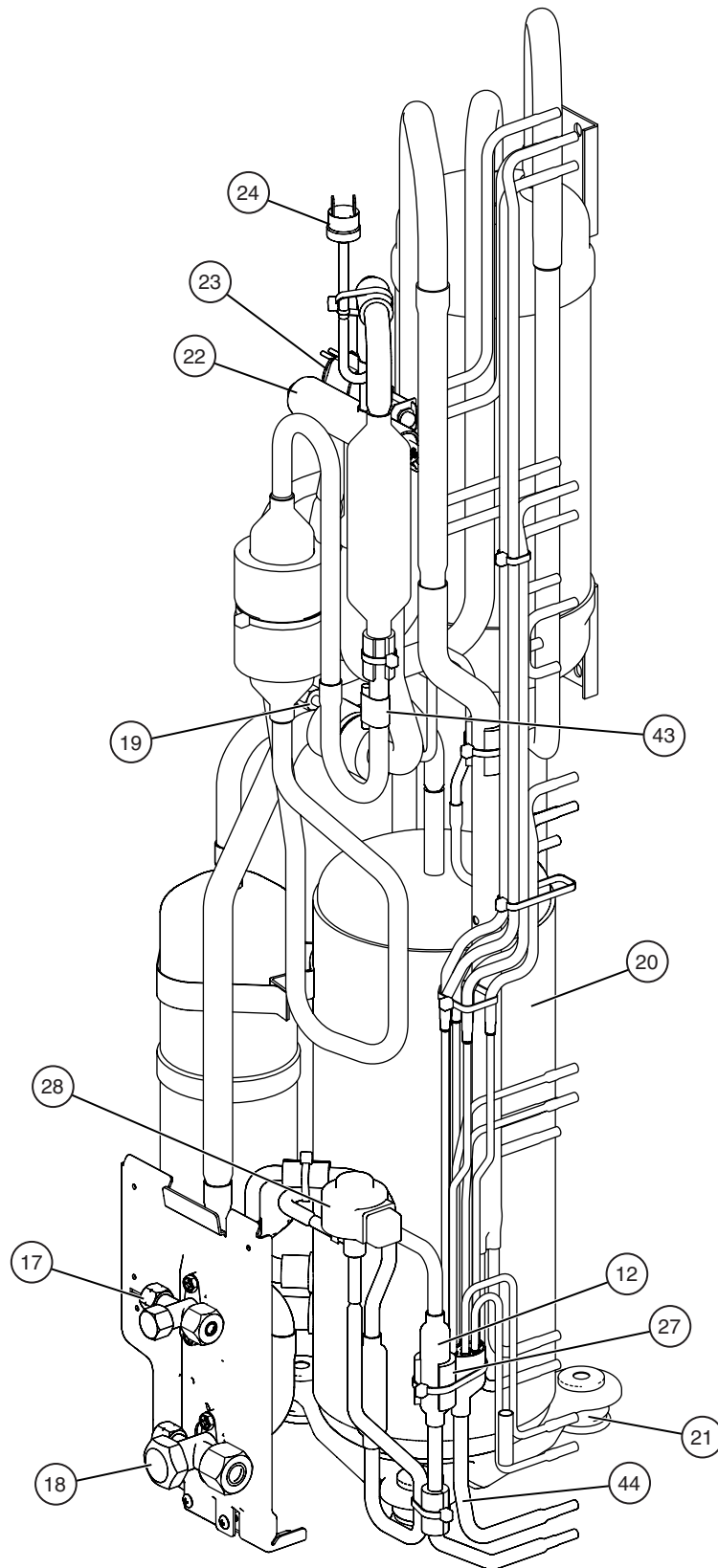




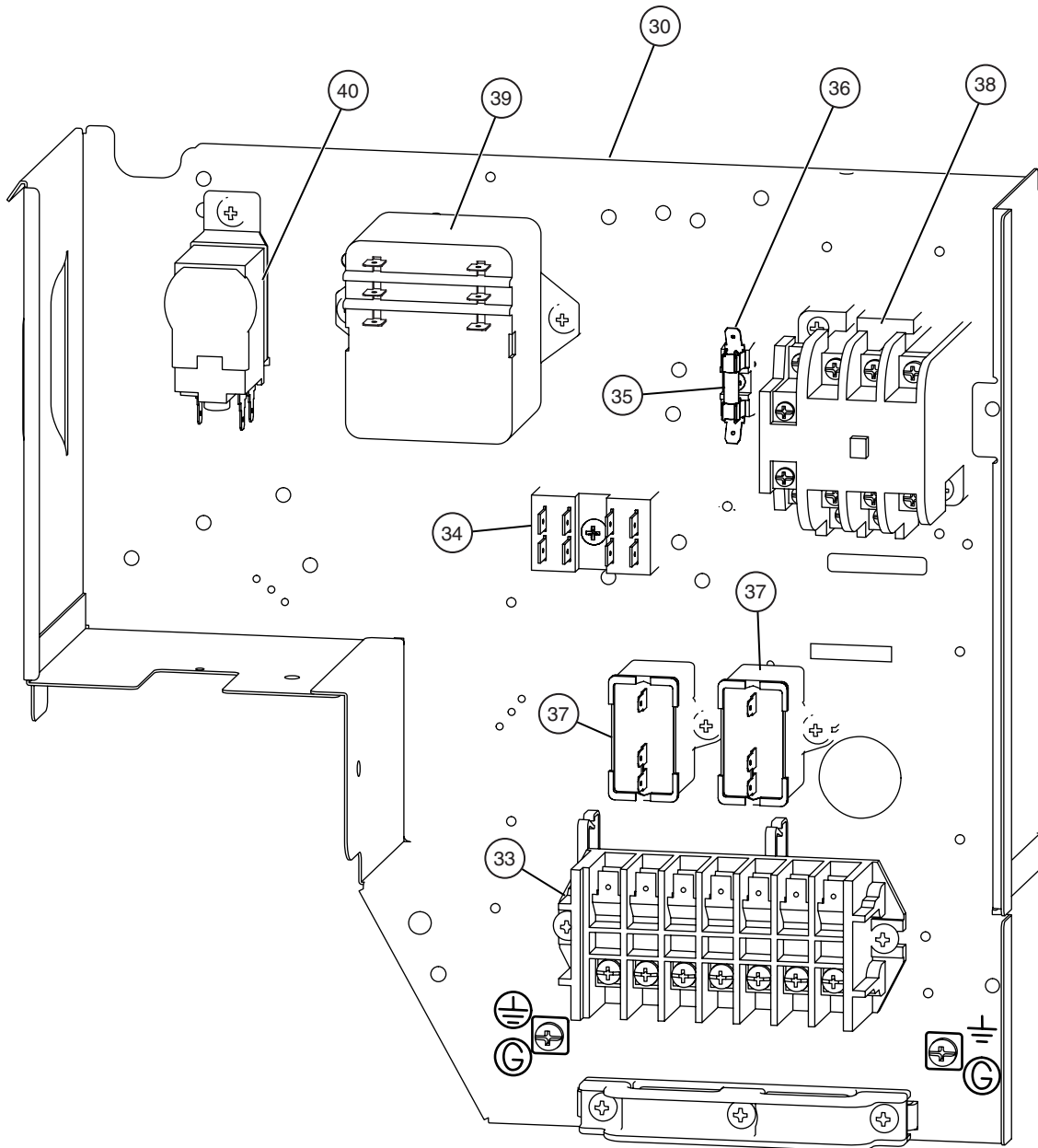
**Model : RO-36FA**



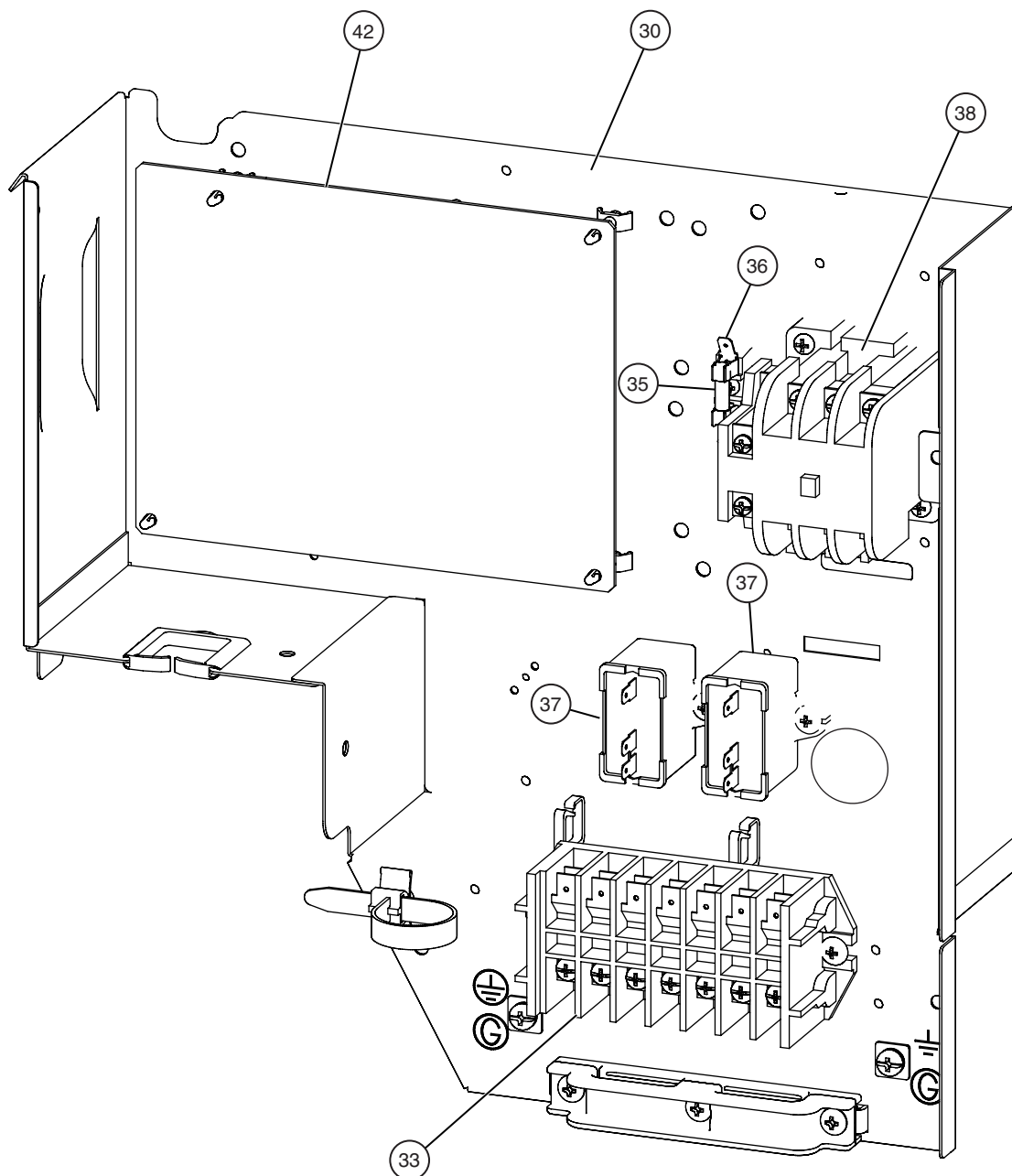
**Model : RO-36UA**



**Model : RO-36FA**



**Model : RO-36UA**



# PARTS LIST

## INDOOR UNIT

When you order parts, please make a photocopy of this page and fill the number of the parts in the "Order" column.

| Ref. No. | Description                  | Part No.     |              | Ord. Q'ty | Ref. No. | Description                | Part No.     |              | Ord. Q'ty |
|----------|------------------------------|--------------|--------------|-----------|----------|----------------------------|--------------|--------------|-----------|
|          |                              | RY-36FA      | RY-36UA      |           |          |                            | RY-36FA      | RY-36UA      |           |
| 8        | Air Filter                   | 9359739005   | 9359739005   |           | 338-2    | Motor Fixture-B            | 9359703006   | 9359703006   |           |
| 12       | Base Assy                    | 9359680000   | 9359680000   |           | 345-1    | Filter Guide-R             | 9359692003   | 9359692003   |           |
| 34       | Capacitor (Fan Motor)        | 9900270216   | 9900270216   |           | 345-2    | Filter Guide-L             | 9359693000   | 9359693000   |           |
| 56       | Sirocco Fan Assy             | 9359701002   | 9359701002   |           | 361      | Bushing                    | 9359733003   | 9359733003   |           |
| 63       | Panel (Front)                | 9359734000   | 9359734000   |           | 379      | Hinge Plate (Grille)       | 9359694007   | 9359694007   |           |
| 69       | Louver                       | 9359719007   | 9359719007   |           | 380      | Locking Spacer KGLS-6S     | 313209391403 | 313209391403 |           |
| 74       | Intake Grille                | 9359738008   | 9359738008   |           | 381-4    | Locking Spacer KGPS-6S     | 0600118075   | 0600118075   |           |
| 91       | Hinge                        | 9359699002   | 9359699002   |           | 382      | Cover (Decoration)-R       | 9359744009   | 9359744009   |           |
| 109      | Casing                       | 9359704003   | 9359704003   |           | 383      | Cover (Decoration)-L       | 9359745006   | 9359745006   |           |
| 122      | Shaft Holder-B               | 9357921006   | 9357921006   |           | 384      | Shaft                      | 9359707004   | 9359707004   |           |
| 126      | Motor Fixing Table           | 9359681007   | 9359681007   |           | 385      | Indicator PCB Assy         | 9702260019   | 9702260019   |           |
| 138      | Kit (Separate Wall Sub Assy) | 9371366012   | 9371366012   |           | 386      | Panel-Left Assy            | 9359685005   | 9359685005   |           |
| ----     | Evaporator Sub Assy          | 9360428219   | 9360428219   |           | 387      | Panel-Right Assy           | 9359683001   | 9359683001   |           |
| 146      | Evaporator Assy              | 9371073040   | 9371073040   |           | 388      | Joint Assy                 | 9359706007   | 9359706007   |           |
| 160      | Drain Pan                    | 9359698005   | 9359698005   |           | 396      | Rfm, Bracket Metal         | 9359677008   | 9359677008   |           |
| 164      | Fan Motor Assy-IN            | 9360457004   | 9360457004   |           | 403      | Shaft Holder Fixture       | 9359687009   | 9359687009   |           |
| 174      | Hanger Bracket               | 9359742005   | 9359742005   |           | 407      | Rod (Motor)                | 9359723004   | 9359723004   |           |
| 181      | Hole Cover                   | 9359691006   | 9359691006   |           | 408      | Louver Link                | 9359726005   | 9359726005   |           |
| 185-1    | Louver Bushing               | 9357376004   | 9357376004   |           | 424      | Sector Gear                | 9359729006   | 9359729006   |           |
| 186      | Edge Cover                   | 9361049017   | 9361049017   |           | 434      | Louver Base                | 9359718000   | 9359718000   |           |
| 187      | Clamp No. 1219               | 313361271706 | 313361271706 |           | 435      | Louver Spring              | 9359720003   | 9359720003   |           |
| 195      | Clamp SKB-100                | 313361275805 | 313361275805 |           | 436      | Flap Spring                | 9359730002   | 9359730002   |           |
| 223      | Control Box Assy             | 9359708001   | 9359708001   |           | 438      | Pinion Gear                | 9359728009   | 9359728009   |           |
| 227      | Badge                        | 9359735045   | 9359735045   |           | 448      | Control Box-B              | 9359713005   | 9359713005   |           |
| 228      | Insulation (Louver)-R        | 9359721000   | 9359721000   |           | 472      | Control Box-A              | 9359712008   | 9359712008   |           |
| 229      | Insulation (Louver)-L        | 9359722007   | 9359722007   |           | 505      | Louver Stopper             | 9359724001   | 9359724001   |           |
| 234      | Room Temperature Thermistor  | 9703299025   | 9703299025   |           | 506      | Louver Rod                 | 9359725008   | 9359725008   |           |
| ----     | Pipe Temperature Thermistor  | 9900022020   | 9900022020   |           | 580      | Top Cover                  | 9359737001   | 9359737001   |           |
| ----     | Thermistor Spring-A          | 313728262708 | 313728262708 |           | 625      | Cord Bushing               | 9359240006   | 9359240006   |           |
| 236      | Controller PCB Assy          | 9704557353   | 9704557391   |           | 684      | Motor Base                 | 9359727002   | 9359727002   |           |
| 240      | Remote Control Unit          | 9371190020   | 9371190013   |           | 735      | Distributor Assy           | 9360455000   | 9360455000   |           |
| 240-1    | Kit (Panel Pipe-L) Sub Assy  | 9371362014   | 9371362014   |           | 743      | Remote Control Unit Holder | 9305642014   | 9305642014   |           |
| 240-2    | Kit (Panel Pipe-R) Sub Assy  | 9371363011   | 9371363011   |           | 752      | Pipe Fixture Metal         | 9359688006   | 9359688006   |           |
| 253-1    | Wire Assy (Connector)        | 9702321017   | 9702321017   |           | 755      | Casing Cover               | 9359705000   | 9359705000   |           |
| 253-2    | Wire Assy (Connector)        | 9702322014   | 9702322014   |           | 761      | Side Cover-R               | 9359740001   | 9359740001   |           |
| 253-3    | Wire Assembly                | 9702311018   | 9702311018   |           | 762      | Side Cover-L               | 9359741008   | 9359741008   |           |
| 253-4    | Wire Assy (Connector)        | 9702323011   | 9702323011   |           | 763      | Receiver Cover             | 9359714002   | 9359714002   |           |
| 253-5    | Wire Assy (Connector)        | 9702319014   | 9702319014   |           | 815-1    | Terminal-3P                | 9900203016   | 9900203016   |           |
| 253-6    | Wire Assy (Connector)        | 9702317010   | 9702317010   |           | 868      | PCB Holder                 | 9359736004   | 9359736004   |           |
| 253-7    | Wire Assy (Connector)        | 9702318017   | 9702318017   |           | 875      | Power Supply PCB Assy      | 9704561138   | 9704561060   |           |
| 253-9    | Wire Assembly                | 9704847010   | ----         |           | 876-1    | Motor, Step-H              | 9360479013   | 9360479013   |           |
| 286      | Shaft Holder Bracket         | 9359686002   | 9359686002   |           | 876-2    | Motor, Step-V              | 9360307026   | 9360307026   |           |
| 321      | Flap Assy                    | 9359731009   | 9359731009   |           | 982-1    | Cord Clamp-A               | 9359820017   | 9359820017   |           |
| 329      | Coupling Pipe Assy           | 9373038214   | 9373038214   |           | 982-2    | Cord Clamp-B               | 9359821014   | 9359821014   |           |
| 338-1    | Motor Fixture                | 9359702009   | 9359702009   |           |          |                            |              |              |           |


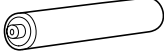

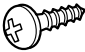
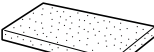






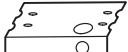
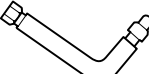


## OUTDOOR UNIT

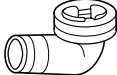

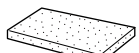
| Ref. No. | Description                           | Part No.     |              | Ord. Q'ty |
|----------|---------------------------------------|--------------|--------------|-----------|
|          |                                       | RO-36FA      | RO-36UA      |           |
| 1        | Top Panel Sub Assy                    | 9374417018   | 9374417018   |           |
| 2        | Front Panel-L, Painted                | 9374094042   | 9374094042   |           |
| 3        | Fan Guard                             | 9374330010   | 9374330010   |           |
| 4        | Side Grip                             | 9374173013   | 9374173013   |           |
| 5        | Service Panel Assy                    | 9374093045   | 9374093045   |           |
| 6        | Right Panel Assy                      | 9374095049   | 9374095049   |           |
| 8        | Propeller Fan Assy                    | 9366378013   | 9366378013   |           |
| 9        | Motor, Induction                      | 9601671060   | 9601671060   |           |
| 10       | Condenser-A Assy                      | 9374433049   | 9374433032   |           |
| 11       | Condenser-B Assy                      | 9374434046   | 9374434039   |           |
| 12       | Strainer Assy                         | 9372524015   | 9372524015   |           |
| 13       | Separate Wall Sub Assy                | 9374413058   | 9374413058   |           |
| 14       | Cap Foot                              | 9374345014   | 9374345014   |           |
| 15       | Base Assy                             | 9374166046   | 9374166046   |           |
| 17       | 3-Way Valve Assy (3/8)                | 9372205044   | 9372205044   |           |
| 18       | 3-Way Valve Assy (5/8)                | 9372205075   | 9372205075   |           |
| 19       | Check Joint Assy                      | 9372802038   | 9372802038   |           |
| 20       | Compressor Assy                       | 9372558096   | 9372558096   |           |
| 21       | Rubber Seat (For Comp. )-A            | 9351049010   | 9351049010   |           |
| 22       | 4-Way Valve                           | -----        | 9900164010   |           |
| 23       | Solenoid                              | -----        | 9900165055   |           |
| 24       | Pressure Switch                       | 9900276010   | 9900186012   |           |
| 26       | Capillary Assy                        | 9372197318   | -----        |           |
| 27       | Capillary Holder Rubber               | 313394274808 | 313394274808 |           |
| 28       | Expansion Valve Assy                  | -----        | 9370947090   |           |
| 30       | Control Box                           | 9374164011   | 9374164011   |           |
| 33       | Terminal HP-T3041-B7-L0               | 9363276039   | 9363276039   |           |
| 34       | Terminal HP-T4005-21                  | 9701971015   | -----        |           |
| 35       | Fuse                                  | 0600376086   | 0600376086   |           |
| 36       | Fuse Holder                           | 0501456016   | 0501456016   |           |
| 37       | Capacitor, Plastic<br>(For Fan Motor) | 9900270049   | 9900270049   |           |
| 38       | Magnetic Relay                        | 9900227012   | 9900227012   |           |
| 39       | Relay                                 | 9900287016   | -----        |           |
| 40       | Outdoor Thermostat                    | 9900275013   | -----        |           |
| 41       | Thermostat Overheat                   | 9354061002   | -----        |           |
| 42       | Controller PCB Assy                   | -----        | 9705677036   |           |
| 43       | Thermistor Spring                     | -----        | 9372140017   |           |
| 44       | Outlet Pipe                           | 9374266036   | 9974266029   |           |
| ----     | Accumulator Support-B Assy            | 9355350006   | -----        |           |
| ----     | Accumulator Holder Rubber             | 9354022010   | -----        |           |
| ----     | Belt Heater                           | 9361140257   | 9361140257   |           |
| ----     | Shield Tube-S                         | 9352307041   | -----        |           |
| ----     | Thermistor Assy                       | -----        | 9900274016   |           |
| ----     | Varistor                              | -----        | 0000515610   |           |
| ----     | Fuse 6.3A-250V                        | -----        | 0600222574   |           |
| ----     | Fuse Holder                           | -----        | 0500158072   |           |
| ----     | Protective Net-L                      | 9374255023   | 9374255023   |           |
| ----     | Drain Pipe (I-Yipe)                   | -----        | 9301102000   |           |
| ----     | Drain Packing                         | -----        | 9301143003   |           |
| ----     | Drain Cap                             | -----        | 313166024302 |           |
| ----     | Emblem Rear                           | 9361328006   | 9361328006   |           |

# STANDARD ACCESSORIES

## INDOOR UNIT ACCESSORIES

| Name and Shape  | Q'ty       | Application                                 | Part No.               |                        |
|---|------------|---|------------------------|------------------------|
|   |            |   | RY-36FA                | RY-36UA                |
| Remote control unit              | 1          | Use for air conditioner operation           | 9371190020<br>(AR-JW2) | 9371190013<br>(AR-JW1) |
| Battery (pen light)              | 2          | For remote control unit                     | 0600185534             | 0600185534             |
| Remote control unit holder       | 1          | For mounting the remote control unit        | 9305642014             | 9305642014             |
| Tapping screw (φ 3 x 12)         | 2          | For remote control unit holder installation | 301980000201           | 301980000201           |
| Drain hose insulation            | 1          | Adhesive type 70 x 230                      | 9360464002             | 9360464002             |
| VT wire                          | 1          | For fixing the drain hose L 280 mm          | 313806350303           | 313806350303           |
| Coupler heat insulator (large)   | 2          | For indoor side pipe joint (large pipe)     | 9350716029             | 9350716029             |
| Coupler heat insulator (small)  | 1          | For indoor side pipe joint (small pipe)     | 9352766015             | 9352766015             |
| Nylon fastener                 | Large<br>4 | For fixing the coupler heat insulator       | 9301501001             | 9301501001             |
|   | Small<br>4 |   | 312300787605           | 312300787605           |
| Special nut A (large flange)   | 4          | For installing indoor unit                  | 313005446653           | 313005446653           |
| Special nut B (small flange)   | 4          | For installing indoor unit                  | 313005446759           | 313005446759           |
| Installation template          | 1          | For positioning the indoor unit             | 9360022004             | 9360022004             |
| Auxiliary pipe assembly        | 1          | For connecting the piping                   | 9374714025             | 9374714025             |

## OUTDOOR UNIT ACCESSORIES

| Name and Shape  | Q'ty | Application  | Part No.   |              |
|---|------|--|------------|--------------|
|   |      |  | RO-36FA    | RO-36UA      |
| Drain pipe           | 1    | For outdoor unit drain piping work (May not be supplied, depending on the model) | ----       | 9303029015   |
| Drain cap            | 2    |  | ----       | 313166024302 |
| Installation (seal)  | 1    | For filling in a gap at the entrance of connection cords                         | 9374756018 | 9374756018   |

0504G2810

## Free Manuals Download Website

<http://myh66.com>

<http://usermanuals.us>

<http://www.somanuals.com>

<http://www.4manuals.cc>

<http://www.manual-lib.com>

<http://www.404manual.com>

<http://www.luxmanual.com>

<http://aubethermostatmanual.com>

Golf course search by state

<http://golfingnear.com>

Email search by domain

<http://emailbydomain.com>

Auto manuals search

<http://auto.somanuals.com>

TV manuals search

<http://tv.somanuals.com>