

**DL3300/DL3400
DOT MATRIX PRINTER
PARTS CATALOGUE**



FUJITSU

This document is used for
maintenance purpose only.
The illustration of the part
does not guarantee its availability.

DL3300/DL3400
DOT MATRIX PRINTER
PARTS CATALOGUE

FUJITSU LIMITED
Communication and Electronics
Tokyo, Japan

REVISION RECORD		
Edition	Date published	Revised contents
A	June, 1988	First edition
B	August, 1990	Page 7 revised
Specification No. B-69474		

The contents of this manual may be revised without prior notice.

All Rights Reserved, Copyright © 1988, 1990 FUJITSU LIMITED.

Printed in Japan.

No part of this manual may be reproduced in any form without permission.

Address your comments and inquiries on this manual to:

FUJITSU AMERICA, INC.
3055 Orchard Drive, San Jose
CA 95134-2017, U.S.A.
TEL: (1-408) 432-1300
FAX: 408-432-1318
TLX: 176207

FUJITSU FRANCE S.A.
17, rue Olof palme
94006 Créteil cedex, FRANCE
TEL: (33-43) 99 40 00
FAX: 43 99 07 00
TLX: 262 661

FUJITSU AUSTRALIA LIMITED
475 Victoria Avenue, Chatswood
N.S.W., 2067, AUSTRALIA
TEL: (61-2) 410-4555
FAX: 2-411-8603
TLX: 25233

FUJITSU HONG KONG LIMITED
Room 1831, Sun Hung Kai Centre
30 Harbour Road, HONG KONG
TEL: (852-5) 8915780
FAX: 5-742917
TLX: 62667

FUJITSU CANADA, INC.
6280 Northwest Drive, Mississauga
Ontario, L4V 1J7, CANADA
TEL: (1-416) 673-8666
FAX: 416-673-8677
TLX: 968132

FUJITSU ITALIA S.p.A.
Via Melchiorre Gioia, 8-20124 Milano, ITALY
TEL: (39-2) 6572741
FAX: 2-6572257
TLX: 350142

FUJITSU DEUTSCHLAND GmbH
Frankfurter Ring 211
8000 München 40, F.R. GERMANY
TEL: (49-89) 32378-0
FAX: 89-32378-100
TLX: 897106

FUJITSU NORDIC AB
Torggatan 8, S-171 54 Solna, SWEDEN
TEL: (46-8) 764 76 90
FAX: 8-28 03 45
TLX: 13411

FUJITSU ESPAÑA, S.A.
Edificio Torre Europa
Paseo de la Castellana 95, Madrid 28046, SPAIN
TEL: (34-1) 581-8000
FAX: 1-581-8300
TLX: 23887

FUJITSU LIMITED
International Operations
Marunouchi 1-6-1, Chiyoda-ku, Tokyo 100, JAPAN
TEL: (81-3) 216-3211
FAX: 03-213-7174
TLX: J22833
Cable: "FUJITSU LIMITED TOKYO"

FUJITSU EUROPE LIMITED
2 Longwalk Road, Stockley Park, Uxbridge
Middlesex, UB11 1AB, ENGLAND
TEL: (44-81) 573-4444
FAX: 81-573-2643
TLX: 263871

This is parts catalogue for DL3300/DL3400 DOT MATRIX PRINTER.
This manual is for service engineers.

There are several models of DL3300/DL3400 DOT MATRIX PRINTER.
This manual covers all models.

This manual consists of two parts.: Parts List and Parts Drawings.
Parts List has layer structure. You can find assembly levels.
Parts Drawing does not have the layer structure.
You can see the model difference from the parts list easily.

There are other manuals for service engineers as follows.
Especially maintenance manual has close relationship to this manual.

DL3300/DL3400 DOT MATRIX PRINTER MAINTENANCE MANUAL

DL3300/DL3400 DOT MATRIX PRINTER SCHEMATIC DIAGRAM

DL3300/DL3400 DOT MATRIX PRINTER USER'S MANUAL

DL3300/DL3400 DOT MATRIX PRINTER PRODUCT DESCRIPTION

CONTENTS

1. HOW TO REFER TO THIS MANUAL	1
2. PARTS LIST AND PARTS DRAWINGS OF WHOLE PRINTER LEVEL	3
Table 1 Upper cover assembly	5
Table 2 Lower cover assembly	9
Table 3 Printer mechanism assembly	13
Table 4 Carriage assembly	21

1. HOW TO REFER TO THIS MANUAL

Example

Index Numbers	Composition & Quantity	Specifications	Parts name (Description)	DL3300 80 column	DL3400 136 column	SP	M/M	Remarks
1~79	1 (9)	D86B-1156-B111	Printer Unit	○	-			80 Column
	1 (10)	D86B-1156-B611	Printer Unit	-	○		(13)	136 Colum
1~68	1 (6)	B86B-1156-C111	Printer mechanism unit	○	-	*	4.9.1(4)	
(2)	1 (7)	B86B-1156-C611	Printer mechanism unit	-	○	*	4.9.1(4)	
(1)	1	B86B-1156-T111	Side frame L assembly	○	○		(14)	
(3)	1	B870-1156-V111	Side frame L sub assembly	○	○			
(4)	2	CT-SIM-25DGB -MATSUSHITA	Line feed motor assembly	○	○			
3	2	DN-SW2NA-3x8S	Screw with washer	○	○			
4	1	D860-1144-X213	Eccentric washer	○	○			
5	1	DN-SW2NA-3x5S	Screw with washer	○	○			
6	1	D860-1144-X291	Shift gear	○	○			
7	1	D860-1156-X292	Compression spring	○	○			
8	1	D860-1156-X295	Idle gear	○	○			
9	1	D860-1156-X118	Rubber bush	○	○			
10	1	D860-1156-X119	Rubber bush	○	○			
11~15	(5) → 1	D860-1156-T125	Side frame R assembly	○	○			
11	(8) → 1	D860-1156-V125	Side frame R sub assembly	○	○			
12	1	D860-1156-V126	PS switch assembly	○	○			
13	1	D860-1156-X126	Switch holder	○	○			
14	1	D860-1156-X118	Rubber bush	○	○			
15	1	D860-1156-X119	Rubber bush	○	○			
16~24	1	D860-1156-V131	Front stay assembly	○	○			
16~24	1	D860-1156-V131	Front stay assembly	○	○			
16A	1	CT-MFC-1000 -Kitagawa	Flat cable crip	-	○			
16	1	D860-1156-X131	Front stay	○	-			
	1	D860-1156-X132	Front stay	-	○			

① ——— Index number shows the component in the drawing.

② ③ — This shows the construction level.
④ ⑤ ② level of component has ③ and ④ and following two same level
⑥ ⑦ component. ② and ⑤ are in the same level and belong to the same
⑧ ⑨ upper level component (in this case ⑥ or ⑦).
⑩

Note: ③ and ④ are in the same level as ⑧.
But ③ and ④ belong to ②.

⑪ ⑫ These show model difference information.

This list shows two models in parallel.

(DL3300 and DL3400)

⑪ shows that component ⑨ belongs to DL3300

⑫ shows that component ⑩ does not belong to DL3300

⑬ ⑬ shows reference section in maintenance manual.

⑭ ⑭ shows recommended spare parts.

2. PARTS LIST AND PARTS DRAWINGS OF WHOLE PRINTER LEVEL

Table 1 Printer upper cover assembly

Table 3 Printer mechanism assembly

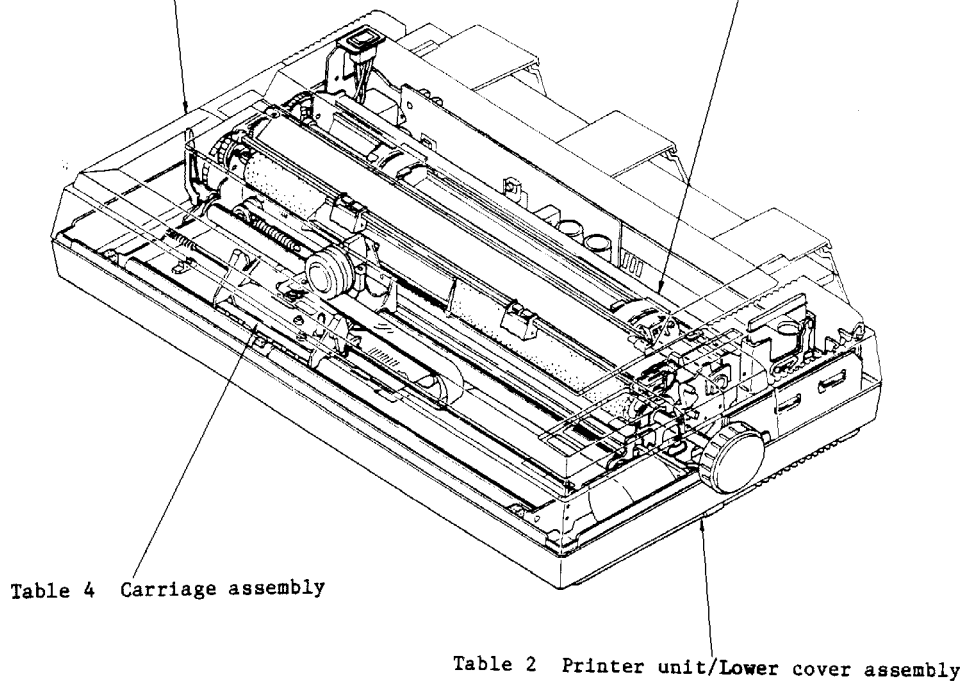


Figure 1. Upper cover assembly

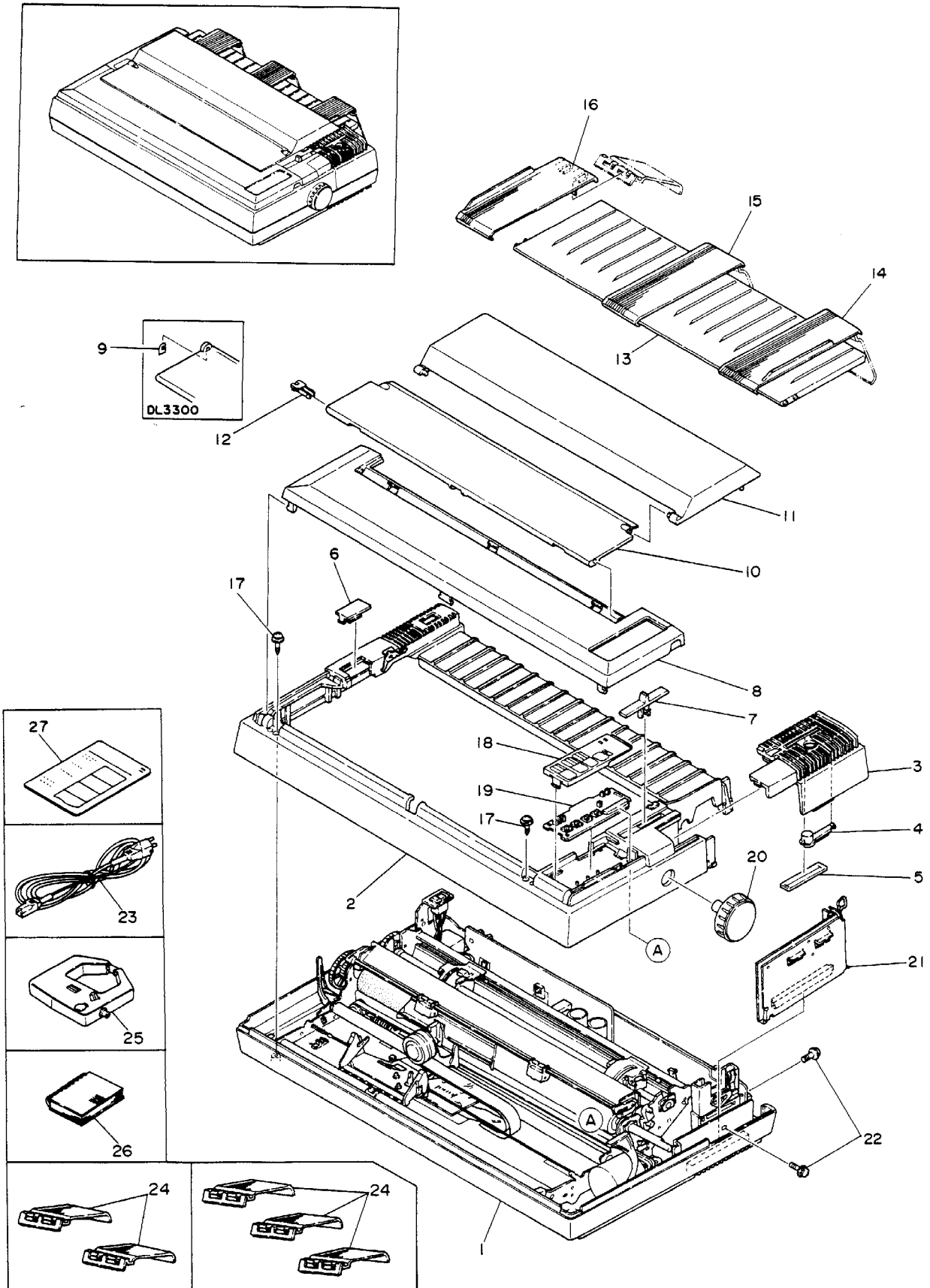


Table 1. Upper Cover Assembly

Index Numbers	Composition & Quantity	Specifications	Parts name (Description)	DL3300 80 column	DL3400 136 column	SP	M/M	Remarks
1~23	1		D04B-7660-B131	DL3300 Printer	○	-		100V centro INF
	1		D04B-7660-B141	DL3300 Printer	○	-		100V RS232C INF
	1		D04B-7660-B231	DL3300 Printer	○	-		200V centro INF
	1		D04B-7660-B241	DL3300 Printer	○	-		200V RS232C INF
	1		D04B-7660-B631	DL3400 Printer	-	○		100V centro INF
	1		D04B-7660-B641	DL3400 Printer	-	○		100V RS232C INF
	1		D04B-7660-B731	DL3400 Printer	-	○		200V centro INF
	1		D04B-7660-B741	DL3400 Printer	-	○		200V RS232C INF
1	1		D05B-2900-C131	DL3300 Printer unit (B131) (B141)	○	-		100V See Table 2
	1		D05B-2900-C231	DL3300 Printer unit (B231) (B241)	○	-		200V See Table 2
	1		D05B-2900-C631	DL3400 Printer unit (B631) (B641)	-	○		100V See Table 2
	1		D05B-2900-C731	DL3400 Printer unit (B731) (B741)	-	○		200V See Table 2
2~15	1		D860-1156-V815	Upper cover assembly	○	-		
	1		D860-1156-V915	Upper cover assembly	-	○		
2	1		D860-1156-V833	Upper cover sub assembly	○	-		
	1		D860-1156-V972	Upper cover sub assembly	-	○		
3~5	1		D860-1156-V832	Sub cover assembly	○	○		
3	1		D860-1156-X832	Sub cover	○	○		
4	1		D860-1156-X842	EJ Lever	○	○		
5	1		D860-1156-X845	Dust sheet	○	○		
6	1		D860-1156-X833	CSF cover	○	○		
7	1		D860-1144-X834	OC Knob	○	○		
8	1		D860-1156-V839	Top cover assembly	○	-		
	1		D860-1156-V975	Top cover assembly	-	○		
9~11	1		D860-1156-V827	Transparent cover assembly	○	-		
10~11	1		D860-1156-V927	Transparent cover assembly	-	○		
9	1		D860-1144-X978	Stopper	○	-		
10	1		D860-1144-X828	Transparent cover F Asy.	○	-		
	1		D860-1156-V928	Transparent cover F Asy.	-	○		
11	1		D860-1144-X843	Soundproof cover R	○	-		
	1		D860-1156-X977	Soundproof cover R	-	○		

SP Means "recommended spare parts".

M/M means the section of "DL3300/DL3400 DOT MATRIX PRINTER MAINTENANCE MANUAL".

Figure 2. Lower cover assembly

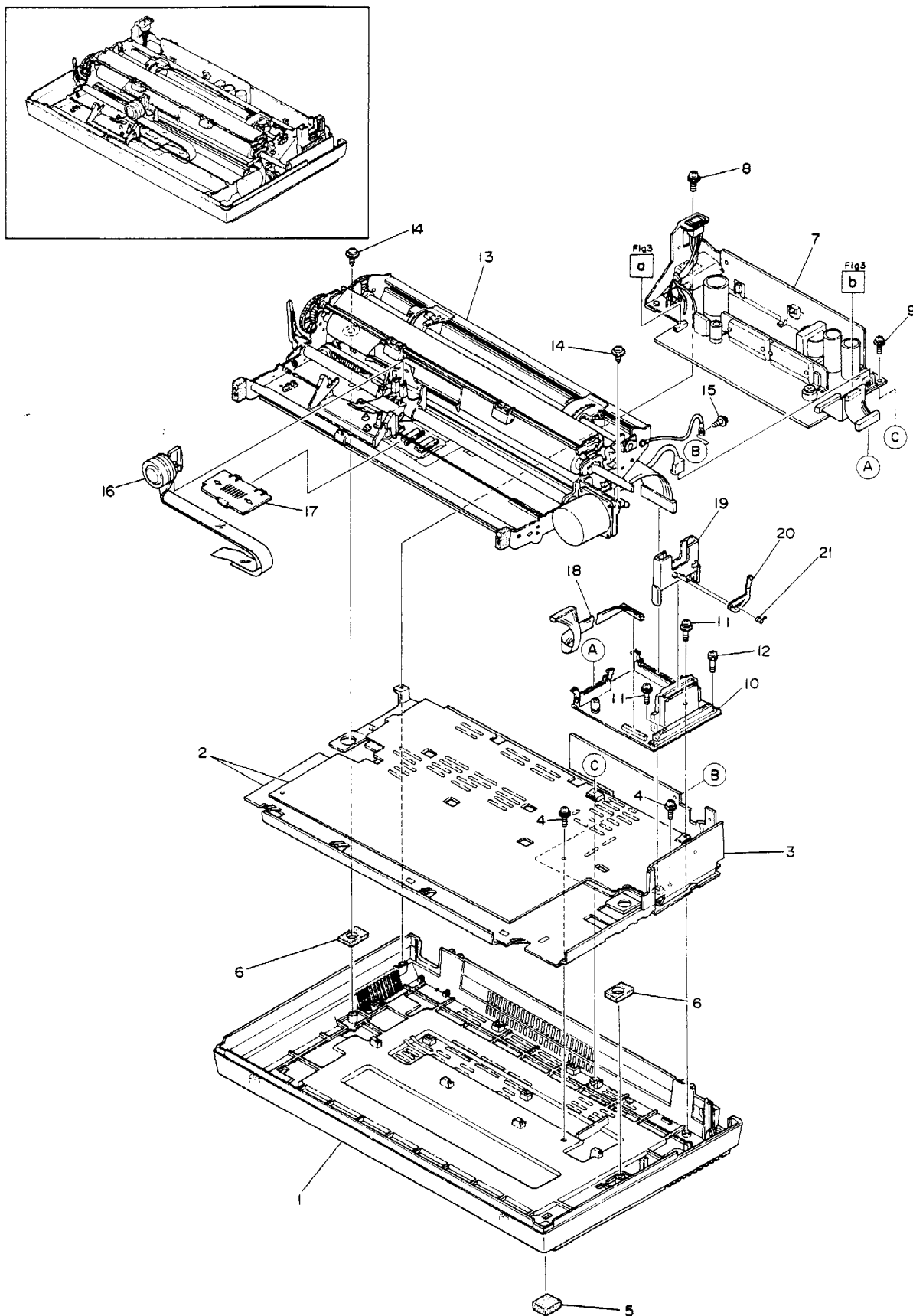


Table 2. Lower Cover Assembly

Index Numbers	Composition & Quantity			Specifications	Parts name (Description)	DL3300 80 column	DL3400 136 column	SP	M/M	Remarks
1~21	1			D05B-2900-C131	DL3300 Printer unit	○	-			100V
	1			D05B-2900-C231	DL3300 Printer unit	○	-			200V
	1			D05B-2900-C631	DL3400 Printer unit	-	○			100V
	1			D05B-2900-C731	DL3400 Printer unit	-	○			200V
1~6	1			D860-1156-V810	Lower cover assembly	○	-			
	1			D860-1156-V960	Lower cover assembly	-	○			
1	1			D860-1156-X811	Lower cover	○	-			
	1			D860-1156-X961	Lower cover	-	○			
2	1			D860-1156-V813	Sheet assembly	○	-			
	1			D860-1156-V964	Sheet assembly	-	○			
3	1			D860-1156-X815	Under plate	○	-			
	1			D860-1156-X965	Under plate	-	○			
4	2			F6-SW2NA-3x8S -M-N11A	Screw with washer	○	○			
5	5			CT-SJ-5023 -SUMITOMO 3M	Rubber cushion	○	○			
6	2			D860-1156-X821	Rubber Sheet	○	○			
7	1			D16B-9607-0901	PW05AA P.C.board (C131)	○	-	*	4.9.1(5)	100V UL/CSA
	1			D16B-9607-0911	PW05BA P.C.board (C231)	○	-	*	4.9.1(5)	200V TUV
	1			D16B-9592-0301	PW02AA P.C.board (C631)	-	○	*	4.9.1(5)	100V UL/CSA
	1			D16B-9592-0311	PW02BA P.C.board (C731)	-	○	*	4.9.1(5)	200V TUV
8	1			F6-SW2NA-4x10S -M-N11A	Screw with washer	○	○			
9	1			F6-SW2NA-3x8S -M-N11A	Screw with washer	○	○			
10	1			D16B-9589-0001	RC24AA Main board	○	○	*	4.9.1(7)	
11	2			F6-SW2NA-3x8S -M-N11A	Screw with washer	○	○			
12	1			F6-SW2NA- 2.5x10S-M-N11A	Screw with washer	○	○			
13	1			D86B-1156-B110	Printer unit	○	-			See Table 3.
	1			D86B-1156-B610	Printer unit	-	○			See Table 3.
14	2			D860-1156-X819	Screw	○	○			
15	1			F6-SW2NA-4x8S -M-N11A	Screw with washer	○	○			
16	1			D86B-1138-D702	Print head	○	○	*	4.9.1(5)	
17	1			D860-1156-X398	Connector cover	○	○			

SP Means "recommended spare parts".

M/M means the section of "DL3300/DL3400 DOT MATRIX PRINTER MAINTENANCE MANUAL".

Figure 2. Lower cover assembly

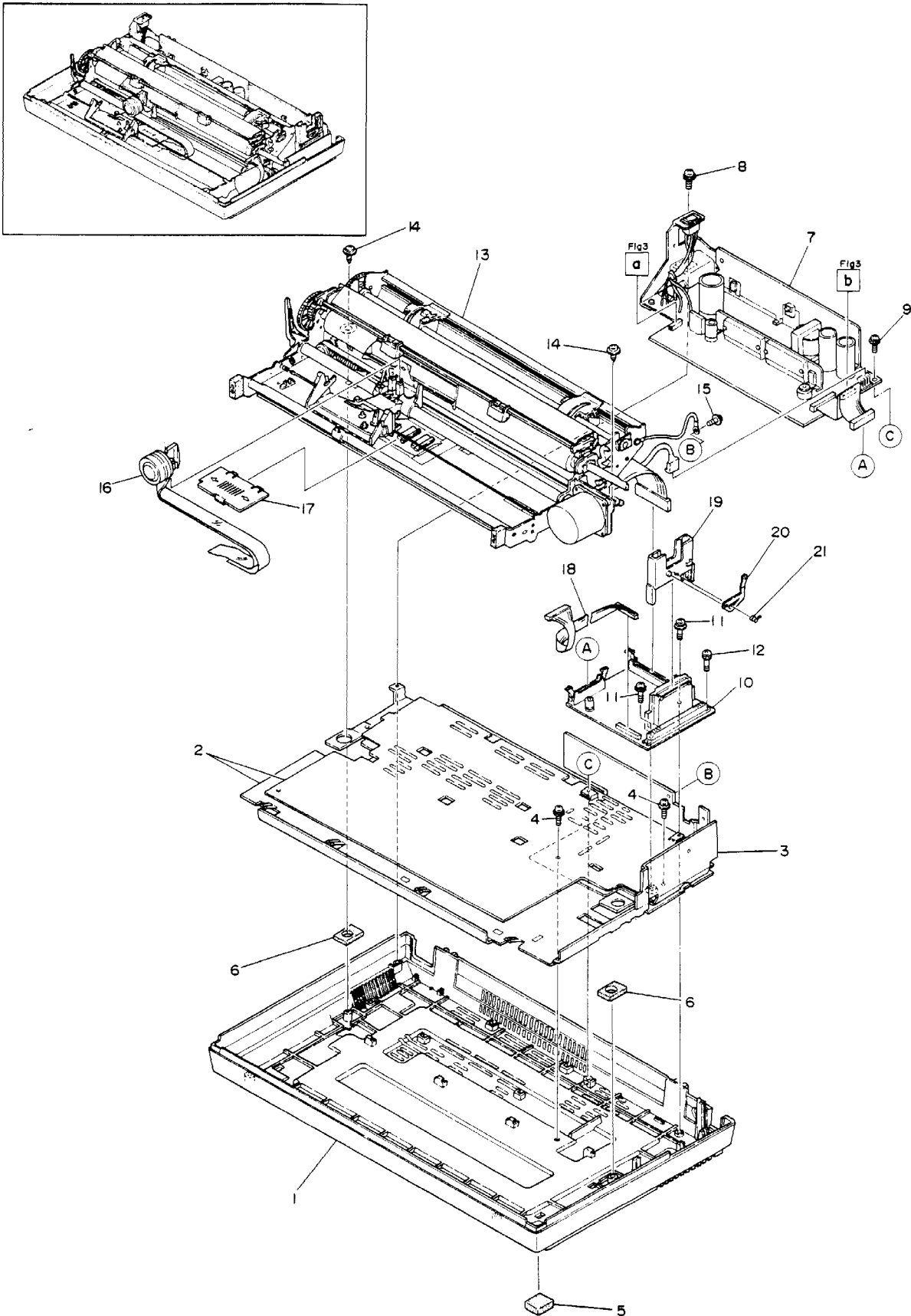


Table 2. Lower Cover Assembly-continued

Index Numbers	Composition & Quantity			Specifications	Parts name (Description)	DL3300 80 column	DL3400 136 column	SP	M/M	Remarks
18	1			D860-1156-V883	Cable assembly	○	○			
19~21	1			D860-1156-V840	Card holder assembly	○	○			
19	1			D860-1156-X840	Card holder	○	○			
20	1			D860-1156-X841	Card lever	○	○			
21	1			D860-1156-X843	Spring	○	○			

SP Means "recommended spare parts".

M/M means the section of "DL3300/DL3400 DOT MATRIX PRINTER MAINTENANCE MANUAL".

Figure 3. Printer mechanism assembly

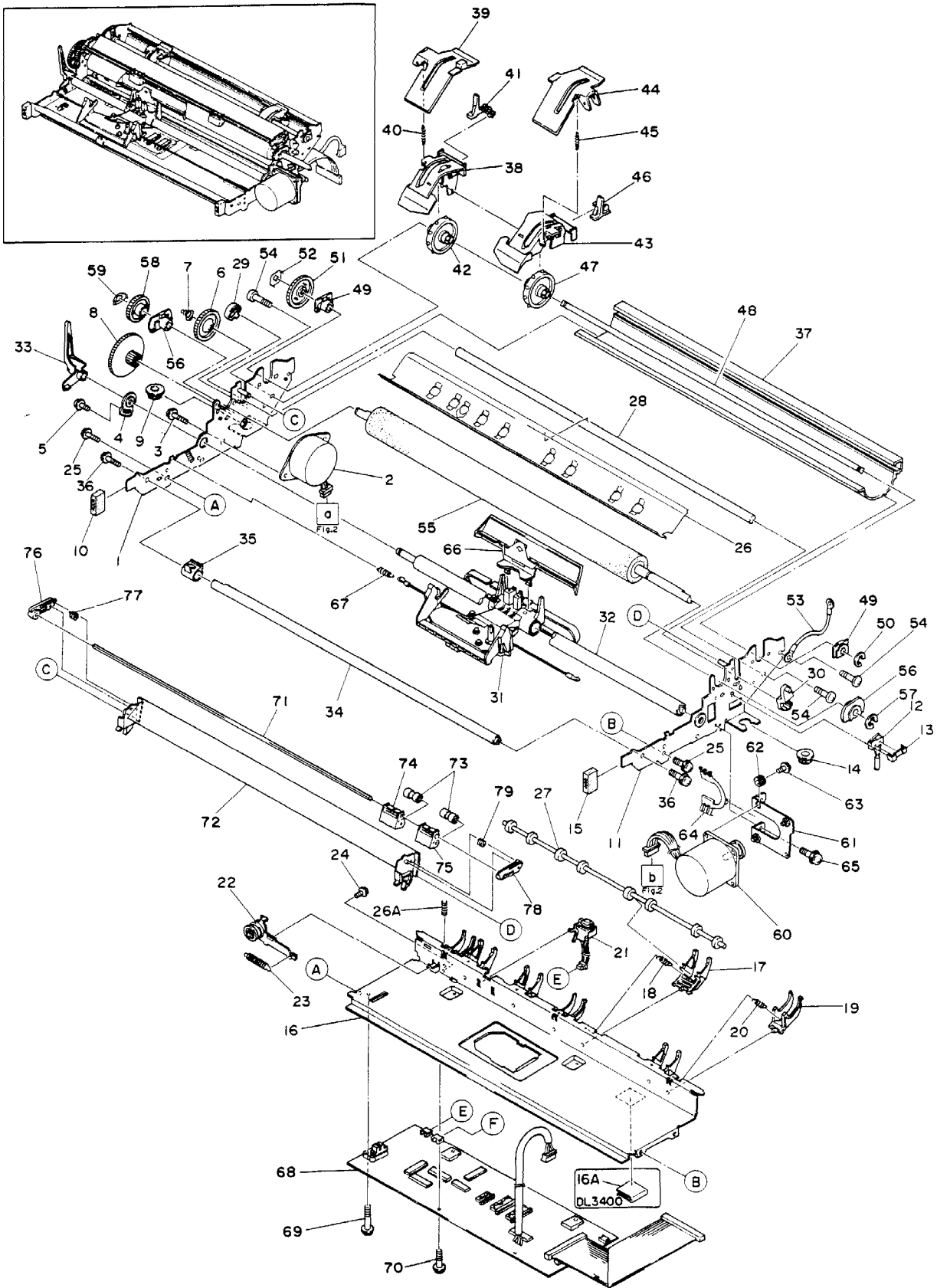


Table 3. Printer Mechanism Assembly

Index Numbers	Composition & Quantity	Specifications	Parts name (Description)	DL3300 80 column	DL3400 136 column	SP	M/M	Remarks
1~79	1	D86B-1156-B110	Printer Unit	○	-			
	1	D86B-1156-B610	Printer Unit	-	○			
1~68	1	B86B-1156-C111	Printer mechanism unit	○	-	*	4.9.1(4)	
	1	B86B-1156-C611	Printer mechanism unit	-	○	*	4.9.1(4)	
1~10	1	B86B-1156-T111	Side frame L assembly	○	○			
1	1	B870-1156-V111	Side frame L sub assembly	○	○			
2	1	CT-55SIM-25D6B -MATSUSHITA	Line feed motor assembly	○	○			
3	2	DN-SW2NA-3x8S	Screw with washer	○	○			
4	1	D860-1144-X213	Eccentric plate L	○	○		14	
5	1	DN-SW2NA-3x5S	Screw with washer	○	○			
6	1	D860-1144-X291	Shift gear	○	○			
7	1	D860-1156-X292	Compression spring	○	○			
8	1	D860-1156-X295	Idle gear	○	○			
9	1	D860-1156-X118	Rubber bush	○	○			
10	1	D860-1156-X119	Rubber bush	○	○			
11~15	1	D860-1156-T125	Side frame R assembly	○	○			
11	1	D860-1156-V125	Side frame R sub assembly	○	○			
12	1	D860-1156-V126	PS switch assembly	○	○			
13	1	D860-1156-X126	Switch holder	○	○			
14	1	D860-1156-X118	Rubber bush	○	○			
15	1	D860-1156-X119	Rubber bush	○	○			
16~24	1	D860-1156-V131	Front stay assembly	○	-			
16A~24	1	D860-1156-V131	Front stay assembly	-	○			
16A	1	CT-MFC-1000 -Kitagawa	Flat cable crip	-	○			
16	1	D860-1156-X131	Front stay	○	-			
	1	D860-1156-X132	Front stay	-	○			
17	3	D860-1156-X135	Roller lever	○	-			
	4	D860-1156-X135	Roller lever	-	○			
18	3	D860-1156-X136	Tension spring	○	-			
	4	D860-1156-X136	Tension spring	-	○			

SP Means "recommended spare parts".

M/M means the section of "DL3300/DL3400 DOT MATRIX PRINTER MAINTENANCE MANUAL".

Figure 3. Printer mechanism assembly

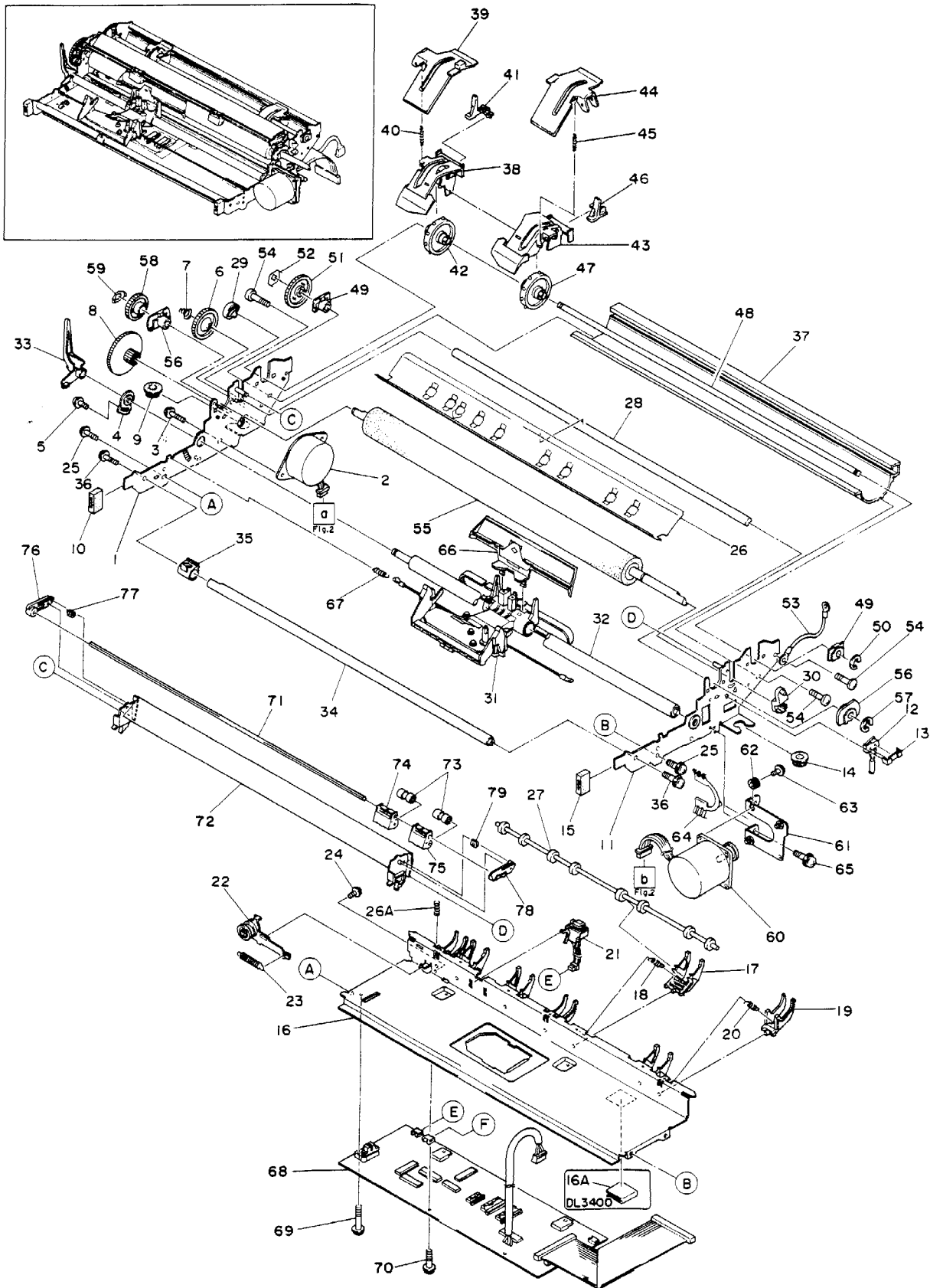


Table 3. Printer Mechanism Assembly-continued

Index Numbers	Composition & Quantity		Specifications	Parts name (Description)	DL3300 80 column	DL3400 136 column	SP	M/M	Remarks
19		2	D860-1156-X143	Push lever	○	-			
		3	D860-1156-X143	Push lever	-	○			
20		2	D860-1156-X144	Tension spring	○	-			
		3	D860-1156-X144	Tension spring	-	○			
21		1	D860-1156-V145	Paper end sensor assembly	○	○			
22		1	D860-1156-V201	Tension pulley assembly	○	○			
23		1	D860-1156-X205	Tension spring	○	○			
24		1	DN-SW2NA-3x8S	Screw with washer	○	○			
25		4	DN-SW2NA-3x8S	Screw with washer	○	-			
26		1	D860-1156-X271	Paper cradle	○	-			
		1	D860-1156-X272	Paper cradle	-	○			
26A		3	D860-1156-X275	Spring	-	○			
27		1	D860-1156-V137	Roller shaft assembly	○	-			
		1	D860-1156-V138	Roller shaft assembly	-	○			
28~30		1	D860-1156-V161	OC shaft assembly	○	-			
		1	D860-1156-V162	OC shaft assembly	-	○			
28		1	D860-1144-X161	OC shaft	○	-			
		1	D860-1144-X162	OC shaft	-	○			
29		1	D860-1156-X163	PF shift lever	○	○			
30		1	D860-1144-X164	OC lever	○	○			
31		1	D860-1156-T181	Carriage assembly	○	-			See Table 4.
		1	D860-1156-T171	Carriage assembly	-	○			See Table 4.
32		1	D860-1144-X212	Stay shaft	○	-			
		1	D860-1144-X216	Stay shaft	-	○			
33		1	D860-1156-X216	Copy control lever	○	○			
34		1	D860-1156-X218	Sub stay shaft	○	-			
		1	D860-1156-X219	Sub stay shaft	-	○			
35		1	D860-1156-X221	Slider	○	○			
36		2	DN-SW2NA-4x8S	Machine Screw	○	○			
37~52		1	D860-1156-V261	Rear stay assembly	○	-			See Table 4.
		1	D860-1156-V262	Rear stay assembly	-	○			See Table 4.
37		1	D860-1156-X241	Rear stay	○	-			
		1	D860-1156-X242	Rear stay	-	○			

SP Means "recommended spare parts".

M/M means the section of "DL3300/DL3400 DOT MATRIX PRINTER MAINTENANCE MANUAL".

Figure 3. Printer mechanism assembly

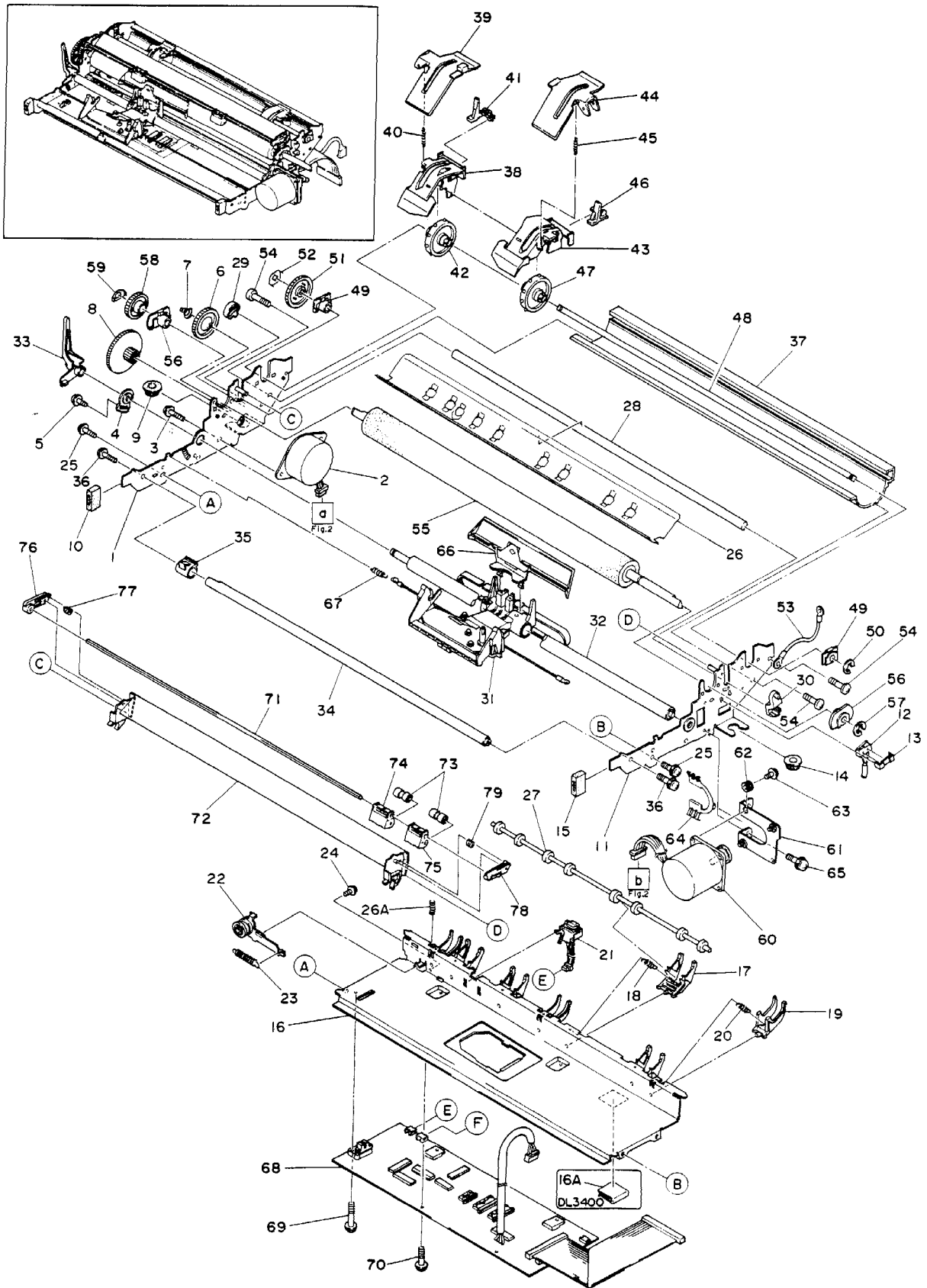


Table 3. Printer Mechanism Assembly-continued

Index Numbers	Composition & Quantity	Specifications	Parts name (Description)	DL3300 80 column	DL3400 136 column	SP	M/M	Remarks
38^42	1	D860-1156-V265	Sprocket L assembly	○	○			
38	1	D860-1156-X265	Housing L	○	○			
39	1	D860-1156-X267	Paper holder L	○	○			
40	1	D860-1144-X249	Tension spring	○	○			
41	1	D860-1156-X250	Lock lever L	○	○			
42	1	D860-1156-X252	Sprocket wheel	○	○			
43^47	1	D860-1156-V266	Sprocket R assembly	○	○			
43	1	D860-1156-X266	Housing R	○	○			
44	1	D860-1156-X268	Paper holder R	○	○			
45	1	D860-1144-X249	Tension spring	○	○			
46	1	D860-1156-X251	Lock lever R	○	○			
47	1	D860-1156-X252	Sprocket wheel	○	○			
48	1	D860-1144-X255	Square shaft	○	-			
	1	D860-1144-X256	Square shaft	-	○			
49	2	D860-1156-X257	SR bearing	○	○			
50	1	F6-ER-6-SUS	Retaining ring (E-type)	○	○			
51	1	D860-1144-X258	SR gear	○	○			
52	1	D860-1144-X259	Spring	○	○			
53	1	D660-9203-T041 #L130-RO	Cable	○	○			
54	4	CT-STB-4x10-M -Ni-NITTO	Tap tight	○	○			
55^58	1	D860-1156-V281	Platen assembly	○	-			
	1	D860-1156-V282	Platen assembly	-	○			
55	1	D860-1156-V283	Platen roll assembly	○	-	*	4.9.1(10)	
	1	D860-1156-V284	Platen roll assembly	-	○	*	4.9.1(10)	
56	2	D860-1156-X286	Platen bearing	○	○			
57	1	F6-ER-8-SUS	Retaining ring (E-type)	○	○			
58	1	D860-1144-X287	Platen gear	○	○			
59	1	D860-1144-X288	Spring	○	○			
60^64	1	D860-1156-T231	Spacing motor assembly	○	○			
60	1	D860-1156-V231	Spacing motor assembly	○	○			
61	1	D860-1156-X231	Motor bracket	○	○			
62	3	D860-1156-X232	Rubber bush	○	○			

SP Means "recommended spare parts".

M/M means the section of "DL3300/DL3400 DOT MATRIX PRINTER MAINTENANCE MANUAL".

Figure 4. Carriage assembly

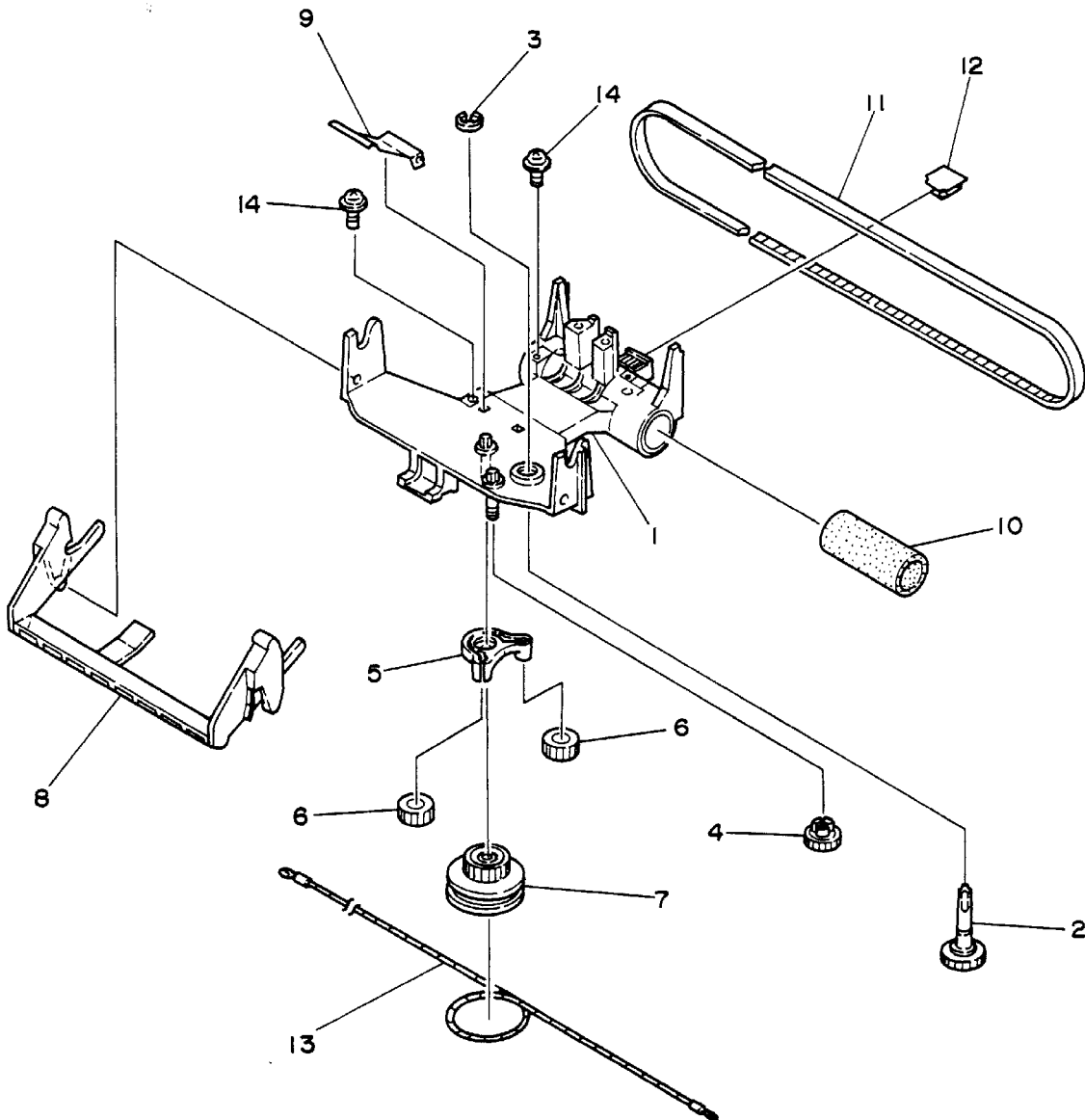
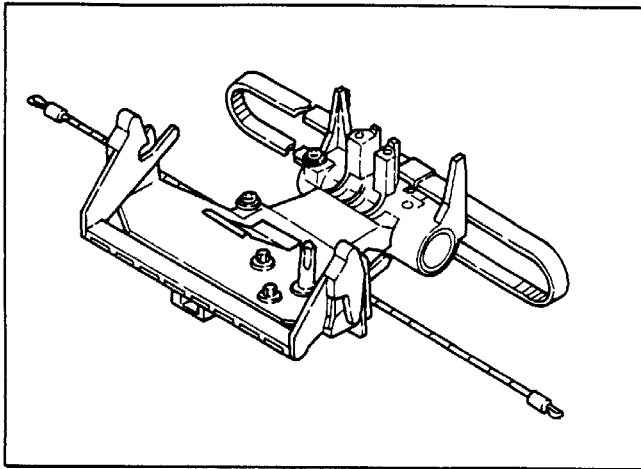


Table 4. Carriage Assembly

Index Numbers	Composition & Quantity			Specifications	Parts name (Description)	DL3300 80 column	DL3400 136 column	SP	M/M	Remarks
14	1			D860-1156-T181	Carriage assembly	○	-	*		
	1			D860-1156-T171	Carriage assembly	-	○	*		
10	1			D860-1156-V173	Carriage sub assembly	○	○			
1		1		D860-1156-V174	Carriage frame assembly	○	○			
2		1		D860-1144-V180	RF shaft assembly	○	○			
3		1		F6-ER-4-SUS	Retaining ring (E-type)	○	○			
4		1		D860-1156-X182	Gear	○	○			
5		1		D860-1156-X183	RF lever	○	○			
6		2		D860-1156-X184	Gear	○	○			
7		1		D860-1156-X186	Ribbon pulley	○	○			
8		1		D860-1156-X187	RC holder	○	○			
9		1		D860-1156-X189	Ribbon spring	○	○			
10		1		D860-1156-X175	Oil felt	○	○			
11	1			D30L-2201-0141	Timing belt	○	-			
	1			D30L-2201-0139	Timing belt	-	○			
12		1		D860-1156-X193	Lock spring	○	○			
13	1			D860-1144-V223	Ribbon rope assembly	○	-	*	4.9.1(11)	
	1			D860-1144-V224	Ribbon rope assembly	-	○	*	4.9.1(11)	
14		2		D860-1144-X195	Screw	○	○			

SP Means "recommended spare parts".

M/M means the section of "DL3300/DL3400 DOT MATRIX PRINTER MAINTENANCE MANUAL".

Free Manuals Download Website

<http://myh66.com>

<http://usermanuals.us>

<http://www.somanuals.com>

<http://www.4manuals.cc>

<http://www.manual-lib.com>

<http://www.404manual.com>

<http://www.luxmanual.com>

<http://aubethermostatmanual.com>

Golf course search by state

<http://golfingnear.com>

Email search by domain

<http://emailbydomain.com>

Auto manuals search

<http://auto.somanuals.com>

TV manuals search

<http://tv.somanuals.com>