

X0KA02001-Y911-02

THERMAL PRINTER

FP-410

USER'S MANUAL



**Federal Communications Commission  
Radio Frequency Interference Statement  
For United States Users**

This equipment has been tested and found to comply with the limits for a Class A digital device, pursuant to Part 15 of the FCC Rules. These limits are designed to provide reasonable protection against harmful interference when the equipment is operated in a commercial environment. This equipment generates, uses and can radio frequency energy and, if not installed and used in accordance with the instruction manual, may cause harmful interference to radio communications. Operation of this equipment in a residential area is likely to cause harmful interference in which case the user will be required to correct the interference at his own expense

**Exigences**

This Class A digital apparatus meets all requirements of the Canadian Interference-Causing Equipment Regulations.

Cet appareil numérique de la classe A respecte toutes les exigences du Règlement sur le matériel brouilleur du Canada.

Notice to German Users

Gemäß der Dritten Verordnung zum Gerätesicherheitsgesetz  
(Maschinenlärminformations-Verordnung-3.GSGV) ist der arbeitsplatzbezogene  
Geräusch-Emissionswert Kleiner als 70 dB (A)

**CE**

Manufacturer's Declaration of Conformity  
According to Electromagnetic Compatibility Directive 89/336/EEC and Low  
Voltage Directive 73/23EEC, AnnexIIIB.

Declares, in sole responsibility, that the following products, including the options or accessories

Product Type : FP-410

Model Number : KA02001-D0XX,D1XX,D2XX

Approval ID Number: S 50012911

Referred to in this declaration, conforms with the following directives and standards;

Electromagnetic Compatibility Directive 89/336/EEC, 92/31/EEC, 93/68/EEC

Low Voltage Directive 73/23/EEC, 93/68/EEC

EN55022:1998, Class A

EN55024:1998

EN61000-3-2:1995, EN61000-3-2:1995,Amendment1:1998,

EN61000-3-2:1995,Amendment2:1998, EN6100-3-3:1995

**Warning**

This is a Class A product of Electromagnetic Interference(EMI) standard.

In a domestic environment this product may cause radio interference in which case the user may be required to take adequate measures.

**Notice**

The contents of this manual may be revised without prior notice.

No part of this manual may be reproduced in any form without permission.

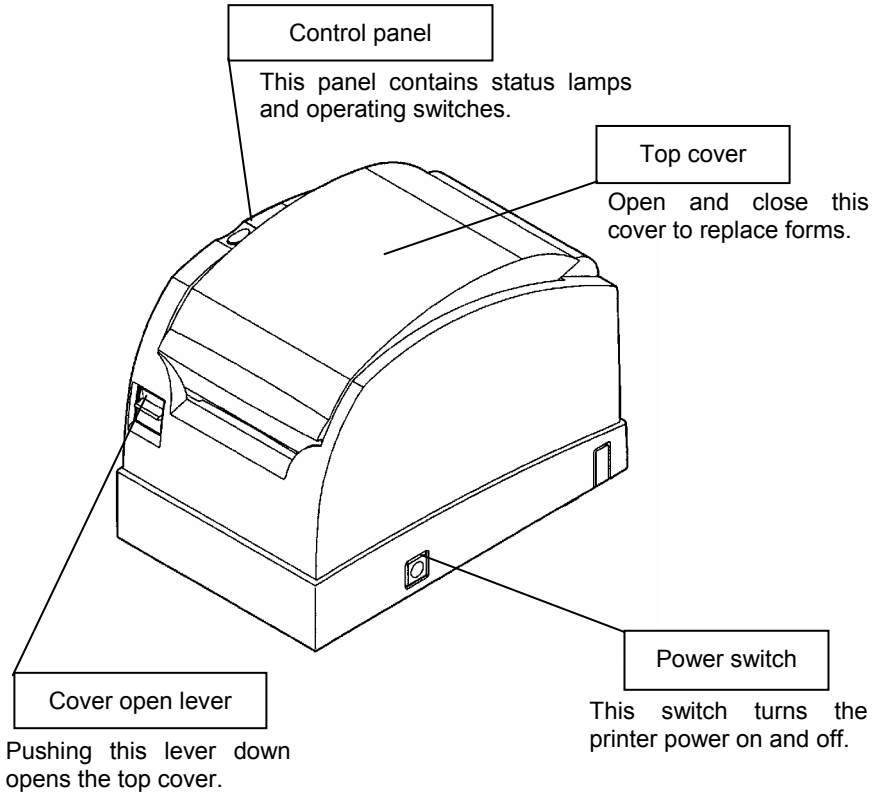
Copyright © 2002 FUJITSU ISOTEC LIMITED.

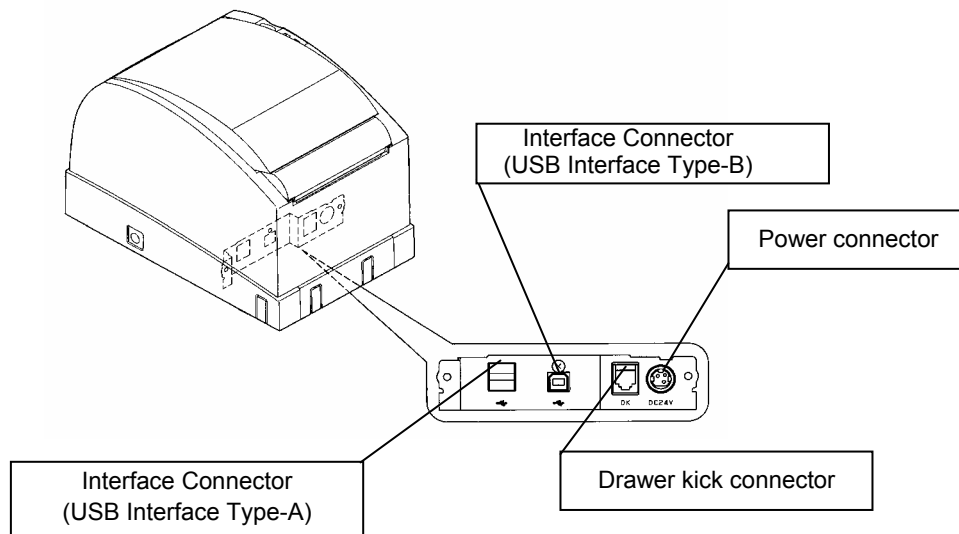
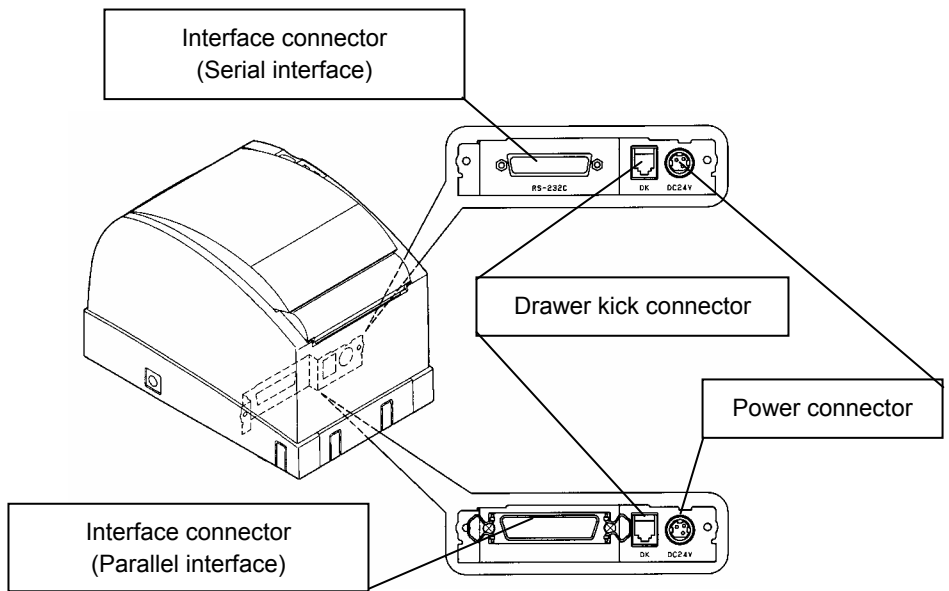
# TABLE OF CONTENTS

ENGLISH

<b>1. Appearance and Names of Components</b> .....	□
<b>2. Consumable Parts and AC Adapter</b> .....	5
2-1. Roll Paper .....	5
2-2. AC adapter .....	6
<b>3. Connecting Cables and AC Adapter</b> .....	7
3-1. Connecting the Interface Cable .....	7
3-2. Connecting the Drawer Kick Cable .....	8
3-3. Connecting the AC Adapter .....	9
3-4. Turning on the Power .....	10
<b>4. Control Panel</b> .....	11
4-1. Control Panel .....	11
4-2. Error Indication .....	11
<b>5. Loading the Roll Paper</b> .....	12
5-1. Loading the roll paper .....	12
5-2. Removing the Paper Roll .....	15
<b>6. Preventing and Clearing Paper Jams</b> .....	16
6-1. Preventing Paper Jams .....	16
6-2. Clearing a Paper Jam .....	16
<b>7. Periodic Cleaning</b> .....	17
7-1. Cleaning the Thermal Head .....	17
7-2. Cleaning the Paper Holder and Paper Feed Section .....	17
7-3. Cleaning the Platen Roller .....	17
<b>8. Conditions for Use</b> .....	18
<b>Appendix A: Specifications</b> .....	38
A-1. General Specifications .....	38
A-2. Cutter Specifications .....	40
A-3. Specifications of Paper Supply .....	40
A-4. Specifications of Interfaces .....	40
A-5. Specifications of Environmental Conditions .....	40
A-6. Specifications of Reliability .....	41
A-7. Black mark specification .....	41
<b>Appendix B: Interface</b> .....	43
B-1. Serial Interface .....	43
B-2. Parallel Interface .....	46
B-3. USB Interface .....	48
B-4. Drawer Kick Connector .....	48
B-5. Specifications of Power Supply .....	51
<b>Appendix C: Special Modes</b> .....	52
C-1. Test Printing .....	52
C-2. HEX Dump .....	53
C-3. Setting up the Printer .....	54
C-4. Setup Items .....	56

# 1. Appearance and Names of Components





## 2. Consumable Parts and AC Adapter

Use the Thermal paper specified below. Using an AC adapter other than the specified model might cause a malfunction, fire, or electrical shock.

### 2-1. Roll Paper specification (Thermal paper)

(1) Paper width:  $80 \begin{smallmatrix} 0 \\ -1.0 \end{smallmatrix} \text{mm}$

(2) Outer roll diameter:  $75\sim 90\mu\text{m}$   $\phi 102\text{mm}$  or less  
 $90\sim 150\mu\text{m}$   $\phi 90\text{mm}$  or less

(3) Thickness :  $75\sim 150\mu\text{m}$

(4) Core outer/inner diameter

Paper Thickness	Core outer	Core inner
$75\sim 90\mu\text{m}$	$\phi 18\pm 0.5\text{mm}$	$\phi 12\pm 0.5\text{mm}$
$90\sim 150\mu\text{m}$	$\phi 32\pm 0.5\text{mm}$	$\phi 25.4\pm 0.5\text{mm}$

(5) Printed surface: Outer edge of roll

(6) Terminating: Do not use paste or glue to secure the roll paper or its core.

: Do not fold the tail end of the paper.

(7) Recommended paper

Oji Paper Co., Ltd.

PD190R (middle image stability paper),  $75\mu\text{m}$  (thickness)

PD160R (high image stability paper),  $75\mu\text{m}$  (thickness)

Mitsubishi Paper Mills Limited

PB670 (Red/black normal type paper),  $75\mu\text{m}$  (thickness)

PB770 (blue/black normal type paper),  $75\mu\text{m}$  (thickness)

P220AE-1 (normal type paper, card ticket),  $150\mu\text{m}$  (thickness)

Nippon Paper Industries

HD75 (normal type paper, label),  $150\mu\text{m}$  (thickness)

**Note:**

Do not use a paper roll with frayed ends (rough paper edges).  
Otherwise, a printer error might occur.

Depending on the type and thickness of the paper, it may be necessary  
to change the setting for print density.

**2-2. AC adapter (option)**

Model name : CA02485-0020

Input : 100 to 240V AC, 50/60Hz

Output : DC24V $\pm$ 5%, 1.5A

## 3. Connecting Cables and AC Adapter

To connect or disconnect these cables, turn off the power switches of the printer and all the devices to be connected to the printer, and then unplug the plug of the AC adapter power cable from the electrical outlet.

**Note:**

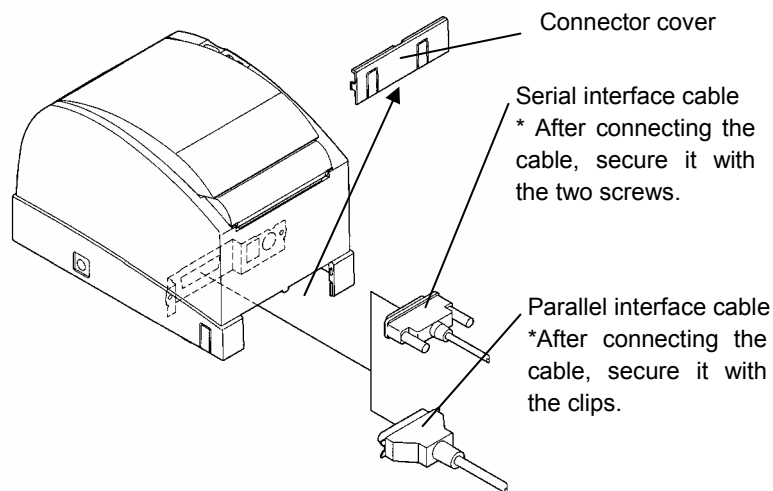
Interface cable and cable for AC Adapter is not included in the box. Please buy them when you need.

### 3-1. Connecting the Interface Cable

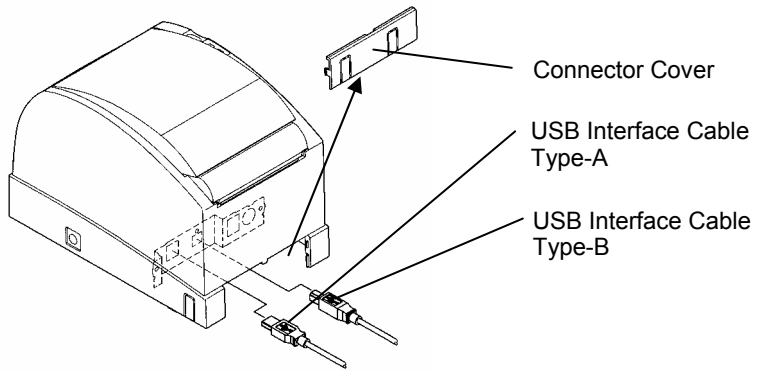
Remove the connector cover at the rear of the printer. And connect the interface cable to the rear connector.

**Note:**

Remove notch of connector cover with Nipper, to maintain the space for the cable of interface cable. Otherwise, it would cause the failure because of cable broken.





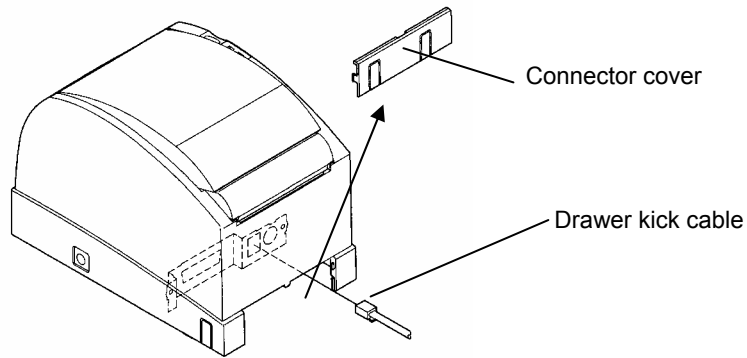


### 3-2. Connecting the Drawer Kick Cable

Remove the connector cover at the rear of the printer. And connect the drawer kick cable to the rear connector.

**Note:**

Remove notch of connector cover with Nipper, to maintain the space for the cable of drawer kick cable. Otherwise, it would cause the failure because of cable broken.



### 3-3. Connecting the AC Adapter

**Note:**

To connect or disconnect the AC adapter, turn off the power switches of the printer and all the devices to be connected to the printer. Then, unplug the plug of the AC adapter power cable from the electrical outlet.

(1) Connect the AC adapter to the AC adapter power cable.

**Note:**

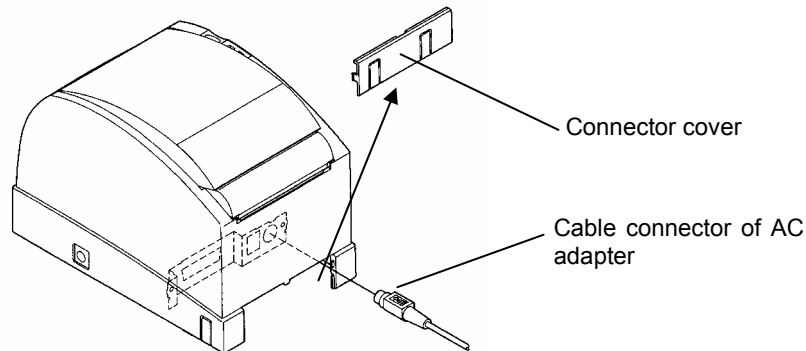
Use only the specified AC adapter and specified AC adapter power cable.

(2) Connect the cable connector of the AC adapter to the printer connector.

**Note:**

Remove notch of connector cover with Nipper, to maintain the space for the cable of AC adapter. Otherwise, it would cause the failure because of cable broken.

(3) Connect the plug of the power cable to electrical outlet.

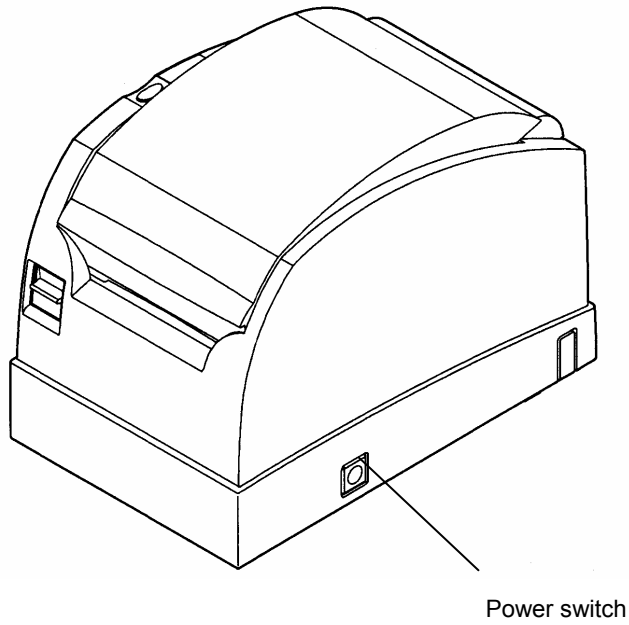


**Note:**

To disconnect the cable connector of the AC adapter from the printer connector, hold and pull the cable connector. The connector can be easily unlocked and pulled out. Do not disconnect the connector by pulling on the cable. Otherwise, the connector might be damaged.

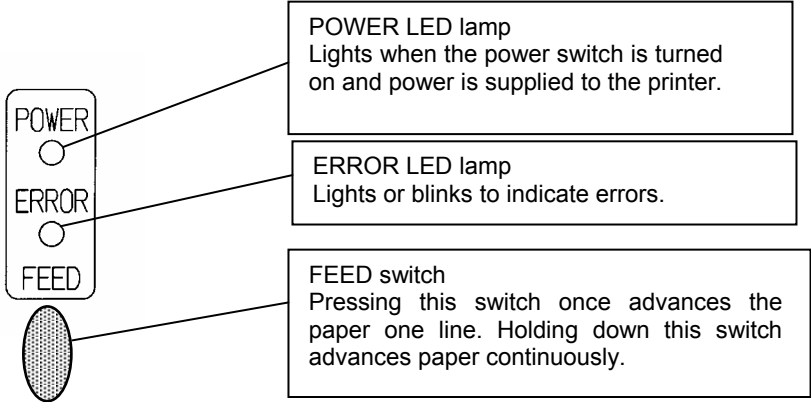
### 3-4. Turning on the Power

After the AC adapter is connected as explained in Section 3-3, "Connecting the AC Adapter," turn on the power switch at the side of the printer. The POWER lamp on the control panel lights.



## 4. Control Panel

### 4-1. Control Panel



### 4-2. Error Indication

The ERROR LED lamp lights or blinks when the printer is in the following states.

Error status	ERROR LED
No paper (paper end)	On
Top cover open	
Printing stopped due to overheating of thermal head	
Power supply error	
Paper near end	Blinking

The POWER LED lamp blinks when the printer is in the following states.

Error status	POWER LED
Print head cable loose or disconnected	Blinking
Temperature too low	
Power supply error	

## 5. Loading the Roll Paper

### 5-1. Loading the roll paper

(1) Push the cover open lever down, and open the top cover.

**Note:**

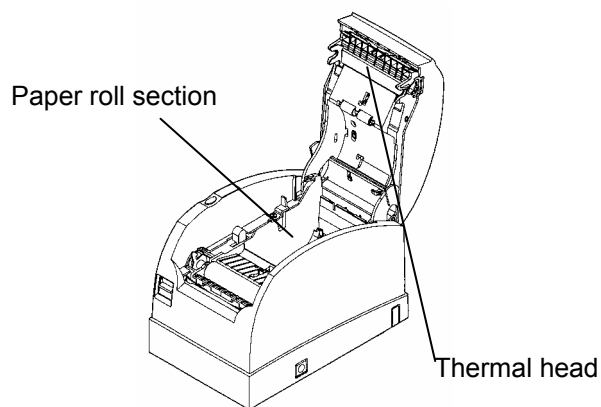
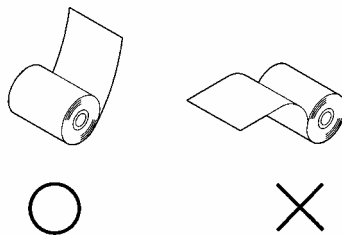
Thermal Head may be broken when Static Electricity impressed.  
Do not touch Thermal Head.

(2) Peel off the pasted end of a new roll of paper.

**Note:**

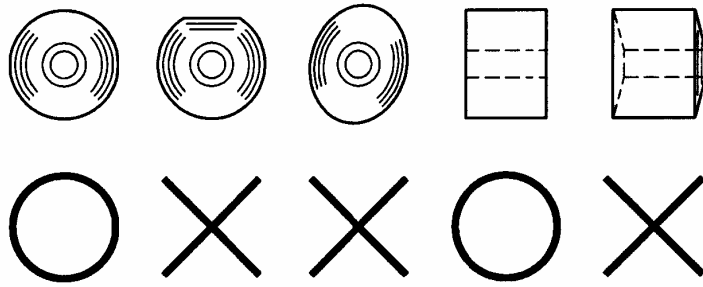
Because the printer cannot print on the pasted portion, remove it completely.

(3) Place the roll as shown below, and pull the leading edge of the paper forward.

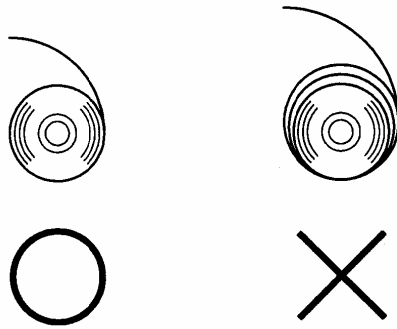


**Notes:**

1. Do not use paper rolls that are deformed as shown below. Otherwise, a printer error, paper jam, or misaligned printing might occur.



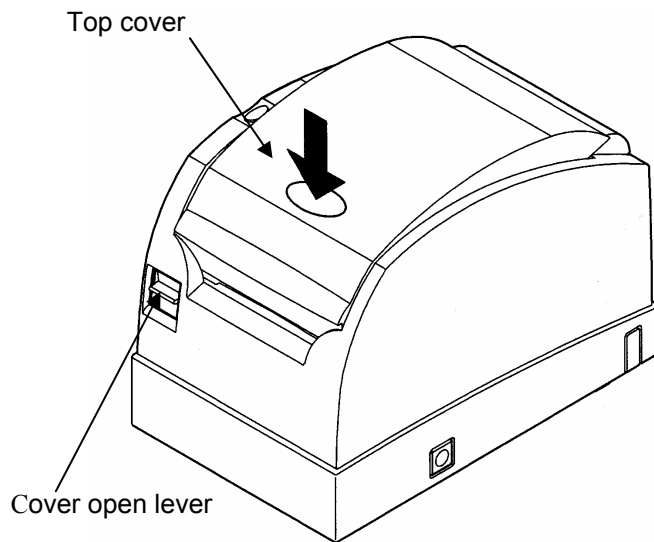
2. If a paper roll is loose as shown below, remove any slack before using it. Using loose paper might cause a printer error, paper jam, or misaligned printing.



- (4) Place the paper in the correct orientation, and carefully close the top cover.

**Notes:**

1. Place the paper in the correct orientation. If the top cover is closed while the paper is not correctly in place, a paper jam or misaligned printing might occur.
2. To close the top cover, push the center (see arrow below) of the cover until it locks securely. If the cover is locked but the cover open lever is pressed down, the cover is not completely locked. In this case, press the top cover again. If the cover is not completely locked, printing might be impossible.
3. If the ERROR lamp is lit, print commands cannot be accepted. Be sure the top cover is securely locked.



- (5) Cut the leading edge of the paper by entering a cut command, etc.

## **5-2. Removing the Paper Roll**

- (1) Push the cover open lever down, and open the top cover.

**Note:**

Thermal Head may be broken when Static Electricity impressed.  
Do not touch Thermal Head.

- (2) Remove the paper roll.



## 6. Preventing and Clearing Paper Jams

### 6-1. Preventing Paper Jams

Do not touch the paper during ejection or before the paper is completely cut.

Holding or pulling the paper by hand during ejection might cause a paper jam, incorrect cutting, or a feed error.

### 6-2. Clearing a Paper Jam

If a paper jam occurs, remove the jammed paper as follows:

- (1) Turn off the printer power by turning off the power switch.
- (2) Press the cover open lever down, and open the top cover.
- (3) Remove the jammed paper.

**Note:**

Carefully remove the jammed paper so as to not damage the printer. In particular, do not touch the thermal print head because doing so might damage it.

- (4) Place the paper in the correct orientation, and carefully close the top cover.

**Notes:**

1. Place the paper in the correct orientation. If the top cover is closed while the paper is not correctly in place, a paper jam or misaligned printing might occur.
2. To close the top cover, push the center of the cover until it locks securely. If the cover is locked but the cover open lever is pressed down, the cover is not completely locked. In this case, press the top cover again. If the cover is not completely locked, printing might be impossible.
- (5) Turn on the printer power by turning on the power switch. Confirm that the ERROR lamp is not lit.

**Note:**

If the ERROR lamp is lit, print commands cannot be accepted. Be sure the top cover is securely locked.

## 7. Periodic Cleaning

Print dropout might be caused by the presence of paper powder or dust. To avoid this problem, remove any black deposits of paper powder and dust from the paper holder, paper feed section, platen roller, and thermal head surfaces. This cleaning should be performed once a month, or as needed.

### 7-1. Cleaning the Thermal Head

Use ethyl alcohol to remove any black deposits of paper powder and dust from the thermal head surfaces.

#### Notes:

1. The thermal head is delicate and easily damaged. Carefully clean it with a soft cloth so that the head surfaces are not damaged.
2. Do not clean the thermal head immediately after printing because it will be very hot.
3. The discharge of static electricity during thermal head cleaning might destroy the thermal head. Carefully clean the thermal head so that it is not damaged by the discharge of static electricity.
4. Wait until the alcohol has completely evaporated before turning on the printer power.

### 7-2. Cleaning the Paper Holder and Paper Feed Section

Remove any paper powder and dust from the paper holder and paper feed section with a dry or slightly damp cloth.

### 7-3. Cleaning the Platen Roller

Use ethyl alcohol to remove the paper powder that has accumulated on the surface of the platen roller.

## 8. Conditions for Use

- (1) High-duty printing might cause blurred printing. Use an appropriate duty that does not cause blurs.
- (2) To print an external character set, a bold font (e.g., Gothic) or bold lines should be selected. If a fine font (e.g., Mincho) or fine lines are selected, the print density might be insufficient.
- (3) To prevent enlarged or reduced printing due to uneven feeding after cutting paper or stopping printing, the paper must be advanced at least 1 mm (8 dots) before printing resumes.
- (4) Characters printed in red or blue of dual-color, thermal paper are less durable.
- (5) When dual-color, thermal paper is used, a bold font (e.g., Gothic) should be selected. If a fine font (e.g., Mincho) is selected, the print color might become faint. In this case, the print duty must not exceed 30%. A print duty of greater than 30% might make the black print faint.
- (6) Do not use this printer outdoors. Use of this printer outdoors might cause a printer malfunction.
- (7) Use only the specified thermal paper. If other non-specified paper is used, the print quality may deteriorate, the thermal print head and cutter life may be shortened, or the printer may fail.
- (8) To print on cardboard with a thickness of 90 $\mu$ m, set the cutter drive function to the cardboard mode during printer setup. Printing cardboard in the standard cutter drive mode might cause a cutting error.
- (9) The Paper Near-End state is only detected if a paper roll with an outside core diameter of 18 mm and 22.2mm is used. If a paper roll with an outside core diameter of 32 mm is used, the paper near-end state is not detected.
- (10) When you use 58mm width for long period, a part of head may be worn out because this part has been directly touched on Platen Roller. This may cause the print error. Also, Cutter may be worn out by the same condition as Head, and this may cause Cut Error. When you use 80mm width paper after 58mm width paper used for long period, we recommend you to replace these parts. If you need, please purchase and replace these parts.

- (11) The use of labels might cause adhesive to stick to parts of the cutter, thermal head, and/or paper holder, causing cutting errors. To help prevent this from occurring, clean these parts at least once a month, or as need, with ethyl alcohol.
- (12) When changing the type of paper roll, clean the platen with ethyl alcohol before installing the new type to prevent errors such as feed errors.
- (13) The printer speed must not exceed four transactions (four cutting operations) per minute. Using a faster printer speed might cause a malfunction. (One transaction is considered equivalent to feeding 25 lines.)
- (14) Do not use a paper roll with frayed ends (rough paper edges). Otherwise, the paper guide of the frame might become worn, causing cutting errors.
- (15) When top margin is set as 4.5mm, paper reverse operation follows before a next printing start. Therefore when printing/cut of a receipt are completed, please be sure to remove a receipt for every sheet. Otherwise, in the case of paper reverse operation, the partial cut part of one-point remnants may go out, or the cut side of a paper may be folded. In addition to the above condition, set the length of 1 receipt with 30mm or more.
- (16) When you set top margin as 4.5mm and you print a label continuously, do not use plural SHEETS printing method but plural PAGES printing method, which needs paper reverse operation at only one time.
- (17) To use the FP-410 printer in a Microsoft® Windows NT® environment, install the print processor. For an explanation of installation of the print processor, see "Setting the Print Processor" in the README.TXT on the FP-410 setup disk. Using the FP-410 printer in the Windows NT® environment without installing the print processor will result in incorrect printing.
- (18) This printer can use USB1.1, under Self Power Mode. The printer can not operate in Bus Power Mode. Use the appropriate AC adapter to power the printer.
- (19) Type-A corresponds to USB1.1 High(12Mbps) and Low(1.5Mbps) speed mode.

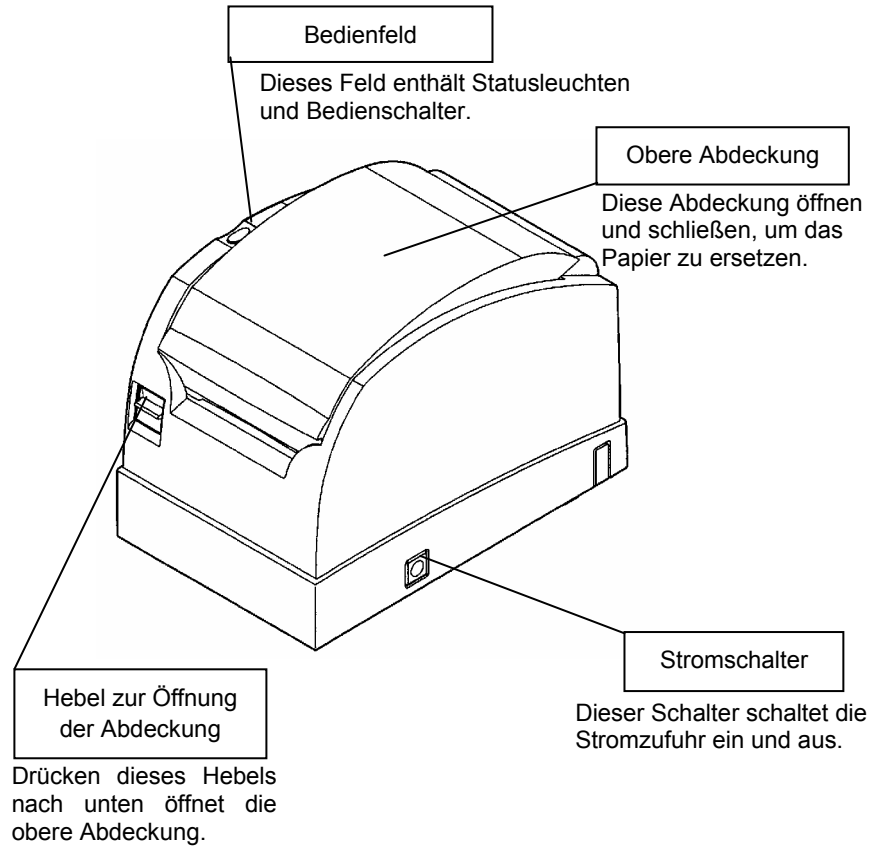
- (20) Open the file "FP-410 USB Device Driver Install Guide.PDF", located on the supplied floppy disk, for details on installing the USB device driver.
- (21) USB Device Driver is for Windows 98/Me. Use the standard driver for Windows 2000.
- (22) The USB version of the FP-410 does not work under Windows 95 or Windows NT4.0.

Microsoft® Windows NT® is a registered trademark of Microsoft Corporation in the United States of America and other countries.

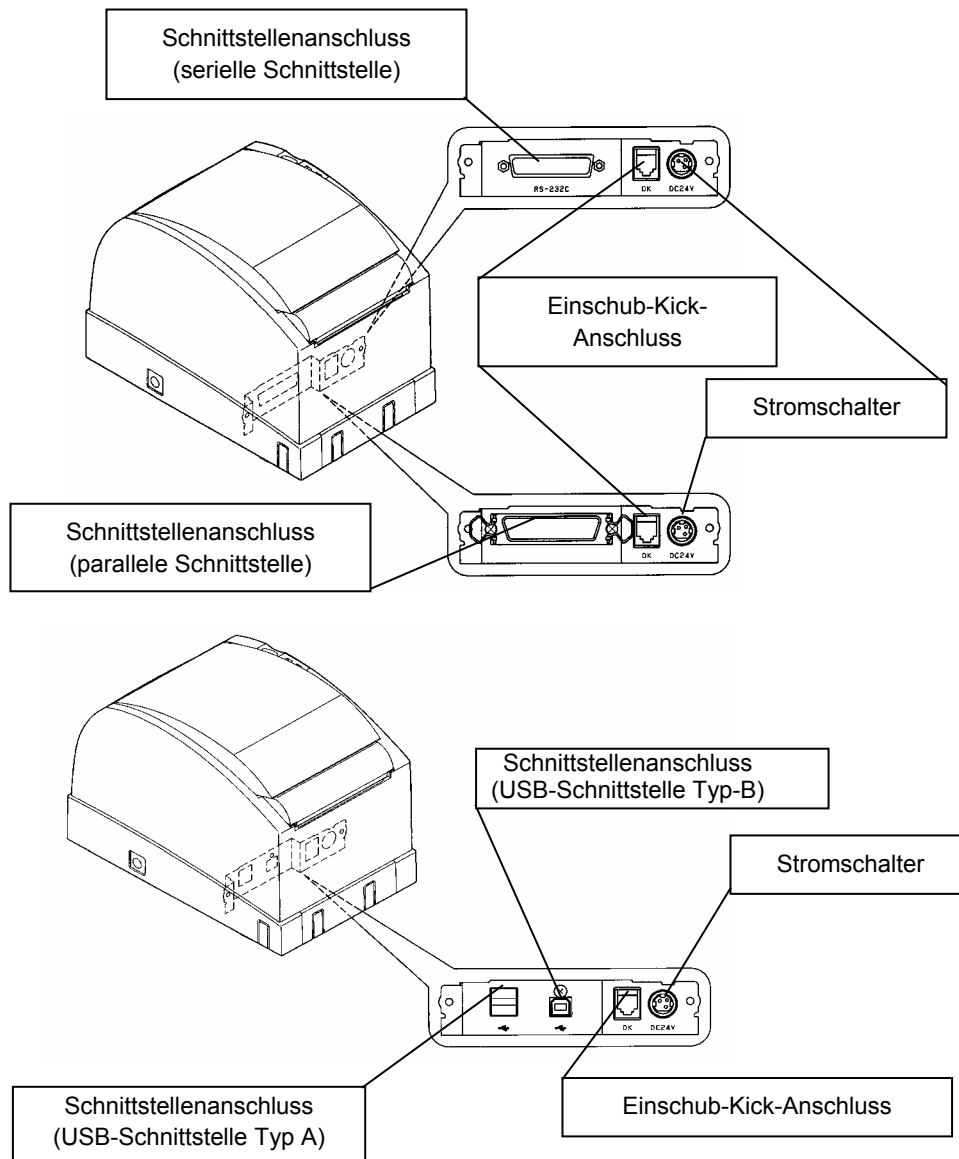
# INHALTSVERZEICHNI

<b>1. Erscheinung und Teilebezeichnungen</b> .....	21
<b>2. Wärmeempfindliches Papier</b> .....	23
2-1. Einzelblatt-Spezifikationen .....	23
2-2. Wechselstromadapters.....	23
<b>3. Kabelanschluss an einen Wechselstromadapter</b> .....	24
3-1. Anschließen des Schnittstellenkabels .....	24
3-2. Anschließen des Einschub-Kick-Kabels .....	25
3-3. Anschließen des Wechselstromadapters .....	26
3-4. Einschalten der Stromzufuhr .....	27
<b>4. Anzeigeleuchten und Schalter</b> .....	28
4-1. Bedienfeld .....	28
4-2. Fehleranzeige.....	28
<b>5. Papier einfüllen</b> .....	29
5-1. Papier einfüllen.....	29
5-2. Entfernen der Papierrolle .....	32
<b>6. Verhindern von Papierstaus und deren Entfernung</b> .....	33
6-1. Verhindern von Papierstaus .....	33
6-2. Lösen von Papierstaus .....	33
<b>7. Periodische Reinigung</b> .....	34
7-1. Reinigung des Thermodruckkopfes.....	34
7-2. Reinigen der Papierhalterung und des Papierzufuhrfachs .....	34
7-3. Reinigen der Druckwalze .....	34
<b>8. Benutzungsbedingungen</b> .....	35

## 1. Erscheinung und Teilebezeichnungen



DEUTSCH





## 2. Wärmeempfindliches Papier

Bitte das unten angegebene wärmeempfindliche Papier benutzen. Das Benutzen eines anderen Wechselstromadapters als des unten angegebenen Modells kann zu Fehlfunktionen, Feuerausbruch oder Stromschlag führen.

### 2-1. Einzelblatt-Spezifikationen (Wärmeempfindliches Papier)

(1) Papierbreite:  $80^{+0}_{-1.0}$  mm

(2) Maximaler äußerer Durchmesser

75~90µm :  $\phi 102$  mm oder weniger

90~150µm :  $\phi 90$  mm oder weniger

(3) Papierdicke unter : 75~150µm

(4) Kerndurchmesser

Papierdicke unter	Innendurchmesser	Außendurchmesser
75~90µm	$\phi 18 \pm 0.5$ mm	$\phi 12 \pm 0.5$ mm
90~150µm	$\phi 32 \pm 0.5$ mm	$\phi 25.4 \pm 0.5$ mm

(5) Entwicklerseite: Papieraußenseite

(6) Papierauslauf: Papierrollenende nicht an das Rollenträgerrohr kleben.

: Papierrollenende nicht falten

#### Hinweis:

Keine Papierrolle mit ausgefransten Enden (rauen, ungleichmäßigen Enden) verwenden. Sonst könnte ein Druckerfehler auftreten.

### 2-2. Wechselstromadapters (option)

CA02485-0020

(Eingang: 100 bis 240V WS 50/60Hz, Ausgang: 24V $\pm$ 5% GS 1.5A)

DEUTSCH

### 3. Kabelanschluss an einen Wechselstromadapter

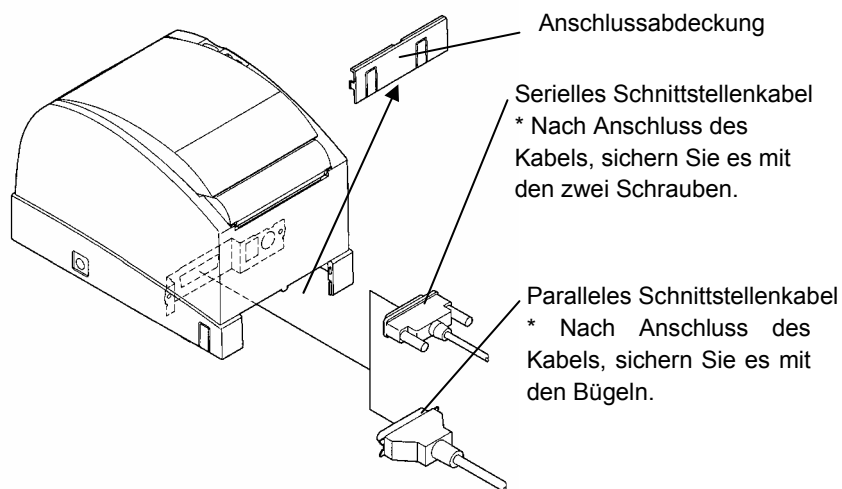
Um diese Kabel anzuschließen oder abzustecken, schalten Sie die Stromschalter des Druckers aus wie auch alle an ihn angeschlossenen Geräte. Anschließend ziehen Sie den Wechselstromadapter aus der Steckdose.

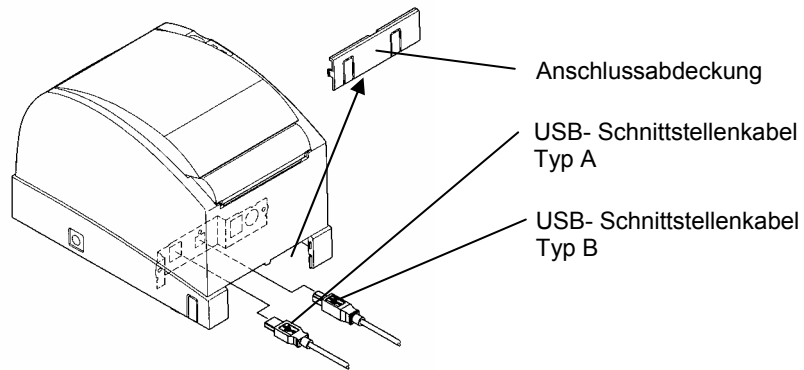
#### 3-1. Anschließen des Schnittstellenkabels

Entfernen Sie die Anschlussabdeckung an der Rückseite der Abdeckung, und schließen Sie das Schnittstellenkabel an den hinteren Anschluss an.

##### Hinweis:

Stellen Sie sicher, dass die Anschlussabdeckung entfernt wird. Wenn die Anschlussabdeckung nicht entfernt wird, bevor das Schnittstellenkabel angeschlossen wird, könnte das Kabel beschädigt werden, was zu einer Fehlfunktion führen würde.



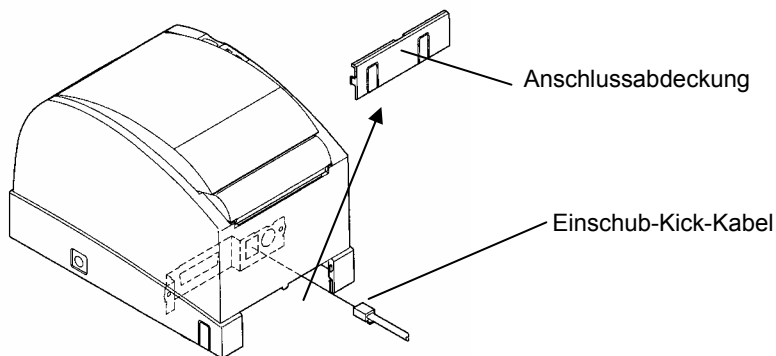


### 3-2. Anschließen des Einschub-Kick-Kabels

Entfernen Sie die Anschlussabdeckung an der Rückseite der Abdeckung, und schließen Sie das Einschub-Kick-Kabel an den hinteren Anschluss.

**Hinweis:**

Stellen Sie sicher, dass die Anschlussabdeckung entfernt wird. Wenn die Anschlussabdeckung nicht entfernt wird, bevor das Einschub-Kick-Kabel angeschlossen wird, könnte das Kabel beschädigt werden und so zu einer Fehlfunktion führen.



### 3-3. Anschließen des Wechselstromadapters

#### Hinweis:

Um den Wechselstromadapter anzuschließen oder abzustecken, schalten Sie die Stromschalter des Druckers und aller anderen Geräte, die an ihn anzuschließen sind, ab. Dann stecken Sie den Stecker des Wechselstromadapters aus der Steckdose aus.

(1) Schließen Sie den Wechselstromadapter an dessen Stromkabel an.

#### Hinweis:

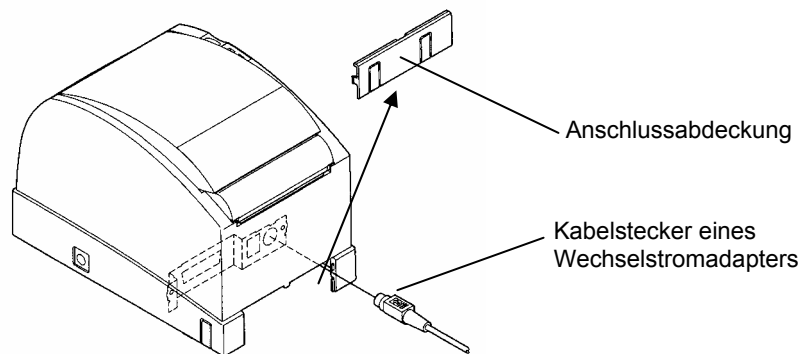
Benutzen Sie nur den angegebenen Wechselstromadapter und das dafür angegebene Stromkabel.

(2) Schließen Sie den Kabelstecker des Wechselstromadapters an den Druckeranschluss an.

#### Hinweis:

Stellen Sie sicher, dass die Anschlussabdeckung entfernt wird. Wenn die Anschlussabdeckung nicht entfernt wird, bevor das Schnittstellenkabel angeschlossen wird, könnte das Kabel beschädigt werden, was zu einer Fehlfunktion führen würde.

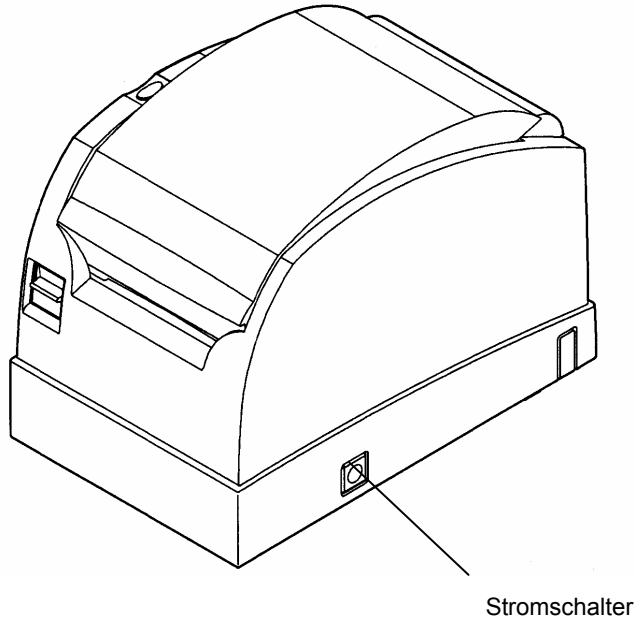
(3) Schließen Sie den Stecker des Stromkabels an eine Stromquelle.



\* Um den Kabelstecker des Wechselstromadapters vom Druckeranschluss abzustecken, halten und ziehen Sie den Kabelstecker. Der Stecker kann leicht abgesteckt und abgezogen werden. Stecken Sie das Kabel nicht ab durch Ziehen am Stromkabel. Sonst könnte der Kabelanschluss zum Stecker beschädigt werden.

### 3-4. Einschalten der Stromzufuhr

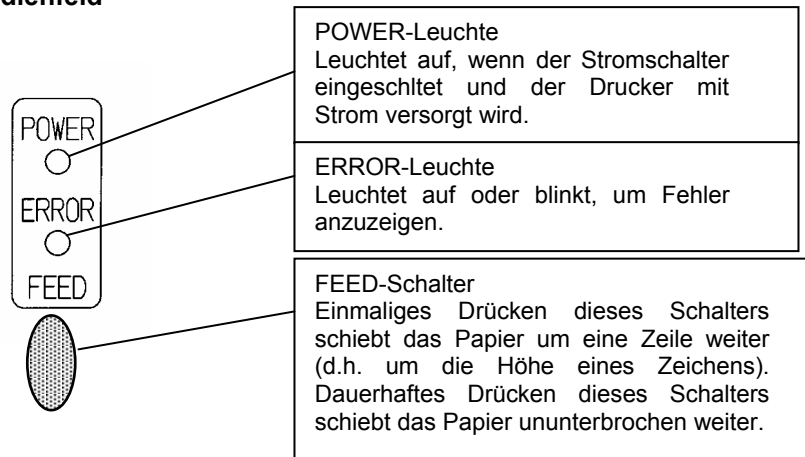
Nachdem der Wechselstromadapter angeschlossen wurde, wie in Abschnitt 3-3, "Anschließen des Wechselstromadapters" erklärt, schalten Sie den Stromschalter an der Seite des Druckers an. Die Power-Leuchte auf dem Bedienfeld leuchtet auf.



DEUTSCH

## 4. Anzeigeleuchten und Schalter

### 4-1. Bedienfeld



### 4-2. Fehleranzeige

Die ERROR-LED leuchtet oder blinkt, wenn sich der Drucker in einem der folgenden Zustände befindet.

Fehlerzustand	ERROR LED
Kein Papier (Papier aus)	Eingeschaltet
Obere Abdeckung offen	
Druck stoppte wegen Überhitzung des Thermo-Druckkopfes.	
Stromversorgungsfehler	
Papier fast zu Ende	Blinkt

Die POWER-LED blinkt, wenn sich der Drucker in einem der folgenden Zustände befindet:

Fehlerzustand	POWER-LED
Druckkopfkabel lose oder nicht angeschlossen	Blinkt
Temperatur zu niedrig	
Stromversorgungsfehler	

## 5. Papier einfüllen

### 5-1. Papier einfüllen

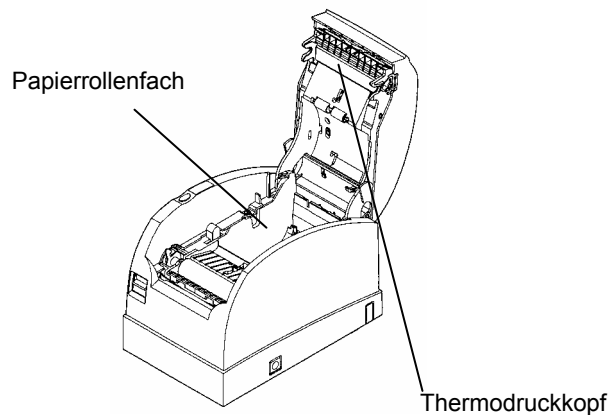
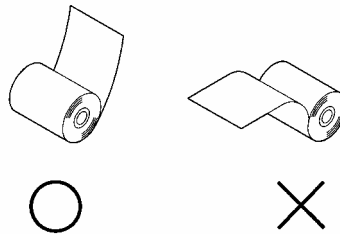
(1) Hebel zum Öffnen der Abdeckung nach unten drücken, um die obere Abdeckung zu öffnen.

(2) Das geklebte Ende einer neuen Papierrolle abziehen.

**Hinweis:**

Da der Drucker auf den geklebten Teil der Papierrolle nicht drucken kann, entfernen Sie diesen vollständig.

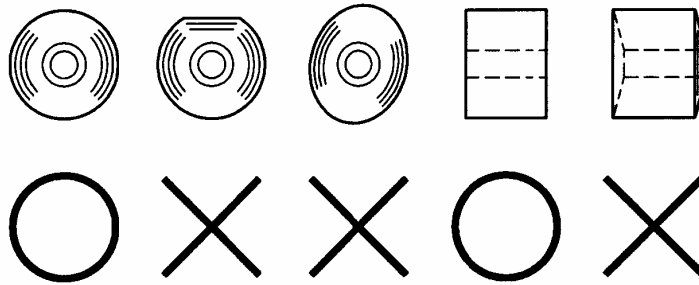
(3) Setzen Sie die Rolle, wie unten gezeigt, ein und ziehen Sie das vordere Ende der Rolle nach vorne.



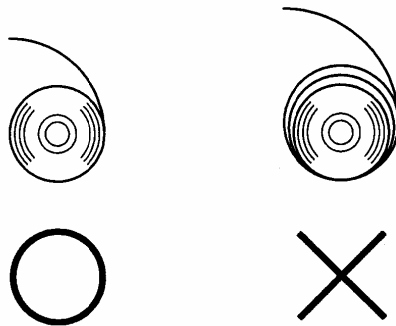
DEUTSCH

**Hinweis:**

1. Keine Papierrollen benutzen, die wie eine der unten gezeigten entstellt sind. Sonst könnten Druckerfehler, Papierstaus oder ungerade Ausdrücke die Folge sein.



2. Wenn eine Papierrolle lose ist, wie unten gezeigt, entfernen Sie jeden Schlupf vor deren Benutzung. Verwendung loser Papierrollen kann zu Druckerfehlern, Papierstaus oder ungeraden Ausdrucken führen.



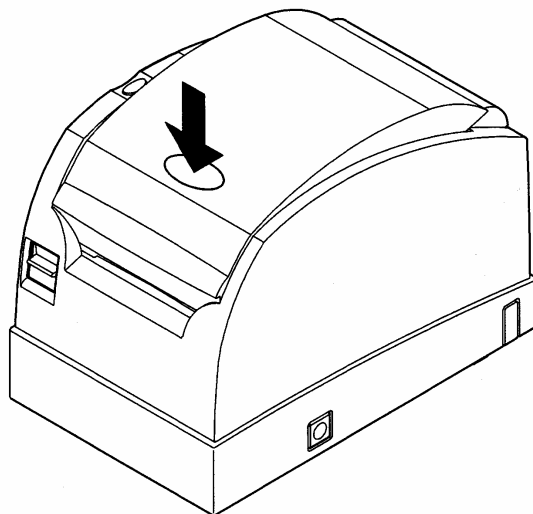


(4)Richten Sie das Papier richtig aus und schließen Sie dann vorsichtig die obere Abdeckung.

**Hinweise:**

- 1.Richten Sie das Papier richtig aus. Wenn die obere Abdeckung geschlossen wird, obwohl das Papier nicht richtig ausgerichtet ist, können ein Papierstau oder ein schiefer Ausdruck die Folge sein.
- 2.Um die obere Abdeckung zu schließen, drücken Sie den Mittelteil (siehe unteren Pfeil) der Abdeckung bis sie sicher verriegelt. Wenn die Abdeckung verriegelt ist, aber der Hebel zum Öffnen der Abdeckung nach unten gedrückt bleibt, ist die Abdeckung nicht ganz verriegelt. In diesem Fall drücken Sie die obere Abdeckung erneut nach unten. Wenn die Abdeckung nicht vollständig verriegelt ist, könnte das Drucken unmöglich sein.
- 3.Wenn die ERROR-Leuchte leuchtet, können Druckbefehle vom Drucker nicht empfangen werden. Stellen Sie sicher, dass die obere Abdeckung sicher verriegelt ist.

DEUTSCH



## **5-2. Entfernen der Papierrolle**

- (1) Drücken Sie den Hebel zur Öffnung der oberen Abdeckung nach unten und öffnen Sie die obere Abdeckung.
- (2) Entfernen Sie die Papierrolle.

## 6. Verhindern von Papierstaus und deren Entfernung

### 6-1. Verhindern von Papierstaus

Berühren Sie das Papier nicht während es ausgegeben wird oder bevor es vollständig abgeschnitten wurde.

Halten oder Ziehen des Papiers mit der Hand während es ausgegeben wird, kann einen Papierstau, fehlerhaften Schnitt oder einen Transportfehler verursachen.

### 6-2. Lösen von Papierstaus

Wenn ein Papierstau auftritt, entfernen Sie das gestaute Papier so:

- (1) Schalten Sie die Druckerstromversorgung ab durch Abschalten am Stromversorgungsschalter.
- (2) Drücken Sie den Hebel zur Öffnung der oberen Abdeckung nach unten und öffnen Sie die obere Abdeckung.
- (3) Entfernen Sie das gestaute Papier

**Hinweis:**

Entfernen Sie vorsichtig das gestaute Papier, um den Drucker nicht zu beschädigen. Insbesondere berühren Sie nicht den Druckkopf, da ihn dies sonst beschädigen könnte.

- (4) Richten Sie das Papier richtig aus und schließen Sie dann vorsichtig die obere Abdeckung.

**Hinweise:**

1. Richten Sie das Papier richtig aus. Wenn die obere Abdeckung geschlossen wird, obwohl das Papier nicht richtig ausgerichtet ist, können ein Papierstau oder ein schiefer Ausdruck die Folge sein.
2. Um die obere Abdeckung zu schließen, drücken Sie den Mittelteil der Abdeckung bis sie sicher verriegelt. Wenn die Abdeckung verriegelt ist, aber der Hebel zum Öffnen der Abdeckung nach unten gedrückt bleibt, ist die Abdeckung nicht ganz verriegelt. In diesem Fall drücken Sie die obere Abdeckung erneut nach unten. Wenn die Abdeckung nicht vollständig verriegelt ist, könnte das Drucken unmöglich sein.
- (5) Schalten Sie die Druckerstromversorgung an durch Drücken des Stromversorgungsschalters. Stellen Sie sicher, dass die ERROR-Leuchte nicht an ist.

**Hinweis:**

Wenn die ERROR-Leuchte an ist, können Druckbefehle vom Drucker nicht empfangen werden. Stellen Sie sicher, dass die obere Abdeckung sicher verriegelt ist.

## 7. Periodische Reinigung

Druckausfälle können durch das Vorhandensein von Papierstaub verursacht werden. Um dieses Problem zu vermeiden, entfernen Sie jedwelche schwarze Papierablagerungen und -staub von dem Papierhalter, dem Papierzufuhrfach, der Druckwalze und den Flächen des Thermodruckkopfes. Diese Reinigung sollte einmal im Monat durchgeführt werden.

### 7-1. Reinigung des Thermodruckkopfes

Benutzen Sie Ethyl Alkohol, um jedwelche schwarze Papierstaub-Ablagerungen von den Thermodruckkopf-Flächen zu entfernen.

#### Hinweise:

1. Der Thermodruckkopf ist empfindlich und kann deshalb leicht beschädigt werden. Reinigen Sie ihn vorsichtig mit einem weichen Tuch, so dass die Thermodruckkopf-Flächen nicht beschädigt werden.
2. Reinigen Sie den Thermodruckkopf nicht sofort nach dem Drucken, weil er dann noch sehr heiß ist.
3. Die elektrostatische Entladung während der Reinigung des Druckkopfes könnte den Thermodruckkopf zerstören. Reinigen Sie den Thermodruckkopf vorsichtig, damit er durch elektrostatische Entladung nicht beschädigt wird.
4. Warten Sie bis der Alkohol vollständig verdunstet ist, bevor Sie die Druckerstromversorgung erneut einschalten.

### 7-2. Reinigen der Papierhalterung und des Papierzufuhrfachs

Entfernen Sie jedwelchen Papierstaub vom Papierhalter und dem Papierzufuhrfach mit einem trockenen oder nur feuchten Tuch.

### 7-3. Reinigen der Druckwalze

Benutzen Sie Ethyl Alkohol, um den Papierstaub zu entfernen, der sich auf der Druckwalzenfläche angesammelt hat.

## 8. Benutzungsbedingungen

- (1) Eine sehr intensive Druckauslastung über längere Zeit könnte zu undeutlichem Druck führen. Benutzen Sie eine Druckauslastung, die zu befriedigenden Ergebnissen führt.
- (2) Um einen externen Zeichensatz zu drucken, sollte eine fette Schrift (z.B. Gothic) oder fette Linien gewählt werden. Wenn eine feine Schrift (z.B. Mincho) oder feine Linien gewählt werden, könnte die Druckdichte unzureichend sein.
- (3) Um vergrößerte oder verkleinerte Schriftausgabe zu vermeiden, wegen ungleichmäßiger Zufuhr nach dem Schneiden des Papiers oder nach Anhalten des Drucks, muss das Papier um mindestens 1 mm (8 Punkt) weitergeschoben werden bevor der Druck erneut aufgenommen wird.
- (4) Zeichen, die in rot oder blau auf wärmeempfindlichem Dual-Ton-Papier gedruckt werden, sind weniger beständig.
- (5) Wenn wärmeempfindliches Dual-Ton-Papier verwendet wird, sollte eine fette Schrift (z.B. Gothic) ausgewählt werden. Wenn eine feine Schrift (z.B. Mincho) ausgewählt wird, kann die Druckfarbe blass werden. In diesem Fall, soll die Druckauslastung 30% nicht überschreiten. Eine Druckauslastung von über 30% könnte schwarzen Druck blass ausdrucken.
- (6) Benutzen Sie diesen Drucker nicht draussen. Dies könnte sonst zu Fehlfunktionen führen.
- (7) Um auf Karton mit einer Stärke von 90µm zu drucken, stellen Sie die Schneideantriebsfunktion während der Druckereinrichtung auf die Einstellung für Karton. Das Bedrucken von Karton wenn die Schneidefunktion auf Normal gesetzt ist, könnte zu Schneidefehlern führen.
- (8) Der "Papier Fast zu Ende"-Zustand wird nur dann abgetastet, wenn eine Papierrolle mit einem Außendurchmesser von 18mm, 22.2mm benutzt wird. Wenn eine Papierrolle mit einem Außendurchmesser von 32mm benutzt wird, wird der "Papier Fast zu Ende"-Zustand nicht entdeckt.

- (9) Ersetzen Sie während des Druckbetriebs nicht 80 mm-breites Papier mit 58mm-breiten Rollen. Sonst könnte der Druckkopf beschädigt werden, weil ein Teil des Druckkopfs dann direkten Kontakt mit der Druckwalze statt mit dem Papier erhalten würde. Außerdem könnte sich der Schneider ungleichmäßig abnutzen, was zu Schneidefehlern führen kann, wodurch er danach das Papier nicht mehr richtig schneiden würde.
- (10) Die Benutzung von Aufklebern könnte dazu führen, dass Klebstoff auf dem Schneider, dem Druckkopf, und/oder dem Papierhalter kleben bleibt, was zu Schneidefehlern führen könnte. Um dies vermeiden zu helfen, reinigen Sie diese Teile mindestens einmal im Monat mit Ethyl Alkohol.
- (11) Wenn Sie den Papierrollentyp wechseln, reinigen Sie die Druckwalze mit Ethyl Alkohol, bevor Sie den neuen Papiertyp einsetzen, um Fehler, wie Zufuhrfehler zu vermeiden.
- (12) Der Drucker sollte nicht mehr als 4 Schneideoperationen pro Minute durchführen. Die Benutzung höherer Druckgeschwindigkeiten könnte zu Fehlfunktionen führen. Eine Schneideoperation entspricht dem Zeilenvorschub eines Blatts von 25 Zeilen.
- (13) Benutzen Sie keine Papierrolle mit ausgefranst oder aufgerauhten Enden. Sonst könnte die Papierführung des Rahmens abgenutzt werden, wodurch dann Schneidefehler auftreten würden.
- (14) Um den FP-410-Drucker in einer Microsoft® Windows NT® -Umgebung zu benutzen, installieren Sie den Druckprozessor. Für eine Erklärung der Druckprozessorinstallation, siehe "Einstellen des Druckprozessors" in der README.TXT-Datei auf der FP-410 Einrichtungsdiskette. Benutzung des FP-410-Druckers in der Windows NT® Umgebung ohne Installation des Druckprozessors wird zu unrichtigen Druckergebnissen führen.

- (15) Dieser Drucker kann USB1.1 unter dem Self Power Mode benutzen. Der Drucker funktioniert nicht im Bus Power Mode. Benutzen Sie den Wechselstromadapter mit den entsprechend bezeichneten.
- (16) Typ-A entspricht USB1.1 High(12Mbps) und Low(1.5Mbps) Geschwindigkeitsmodus.
- (17) Siehe Datei "FP-410 USB Device Driver Install Guide.pdf" auf der Floppy Disk für die Installationsprozedur des USB-Gerätetreibers.
- (18) Der USB-Gerätetreiber ist für Windows 98/Me. Benutzen Sie den Standardtreiber für Windows 2000.
- (19) Dieser Drucker arbeitet nicht unter Windows 95 und NT4.0.
- (20) Schalten Sie diesen Drucker ein oder aus, nachdem Ihr PC hochgefahren ist. Wenn Sie Ihren PC ausschalten und der FP-410-Drucker ist daran angeschlossen, dann stellen Sie sicher, dass Sie zuerst den Drucker (vor dem PC) ausschalten.

Microsoft® Windows NT® ist eine registrierte Handelsmarke der Microsoft Gesellschaft in den Vereinigten Staaten von Amerika und in anderen Ländern.

## Appendix A: Specifications

### A-1. General Specifications

- (1) Print method: Direct line thermal printing system
- (2) Maximum print speed: 180mm/s (single-color thermal paper)  
80mm/s (two color thermal paper)
- (3) Dot resolution: 8 dots/mm (0.125mm)
- (4) Relationship between number of print columns and character size

	48 column printing	42 column printing
ANK: Font A	48 columns: 12x24	42 columns: 12x24
ANK: Font B	57 columns: 10x24	51 columns: 10x24
ANK: Font C	72 columns: 8x16	64 columns: 8x16
Kanji: Font A	24 columns: 24x24	21 columns: 24x24
Kanji: Font B	28 columns: 20x24	25 columns: 20x24
Kanji: Font C	36 columns: 16x16	32 columns: 16x16

#### (5) Fonts

1-byte font: Alphanumeric characters (95), extended graphic characters (128x7pages), international characters (37), download registration characters (96)

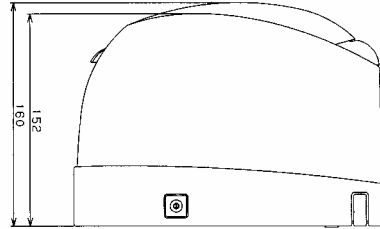
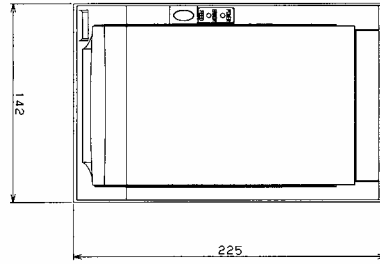
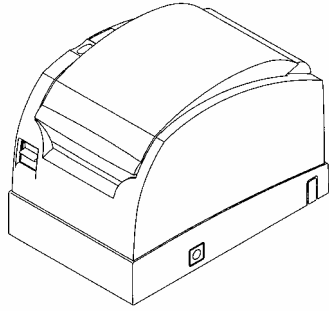
2-byte font: Non-kanji characters (525), JIS level 1 characters (2965), JIS level 2 characters (3388), external character set (94)

#### (6) Dimensions of fonts

ANK font A: (12 x 24 dots): 1.5mm (W) x 3.0mm (H)  
 ANK font B: (10 x 24 dots): 1.25mm (W) x 3.0mm (H)  
 ANK font C: (8 x 16 dots): 1.0mm (W) x 2.0mm (H)  
 Kanji font A: (24 x 24 dots): 3.0mm (W) x 3.0mm (H)  
 Kanji font B: (20 x 24 dots): 2.5mm (W) x 3.0mm (H)  
 Kanji font C: (16 x 16 dots): 2.0mm (W) x 2.0mm (H)



(7) Outline drawing



APPENDIX

## **A-2. Cutter Specifications**

Cutting method: Partial cut (A portion of the paper is not cut).

**Note:** Full-cut mode is not supported.

## **A-3. Specifications of Paper Supply**

- (1) Supply method: Manual placement
- (2) Paper near-end: Detection of paper near end.

## **A-4. Specifications of Interfaces**

- (1) RS-232C
- (2) Conforms to IEEE1284
- (3) USB

## **A-5. Specifications of Environmental Conditions**

- (1) Temperature
  - Operating: 5°C to 40°C
  - Standby: -5°C to 60°C
  - Storage(When packed): -20°C to 60°C
  
- (2) Humidity
  - Operating: 10% to 85%RH
  - Standby: 8% to 95% RH
  - Storage (When packed): 5% to 95% RH

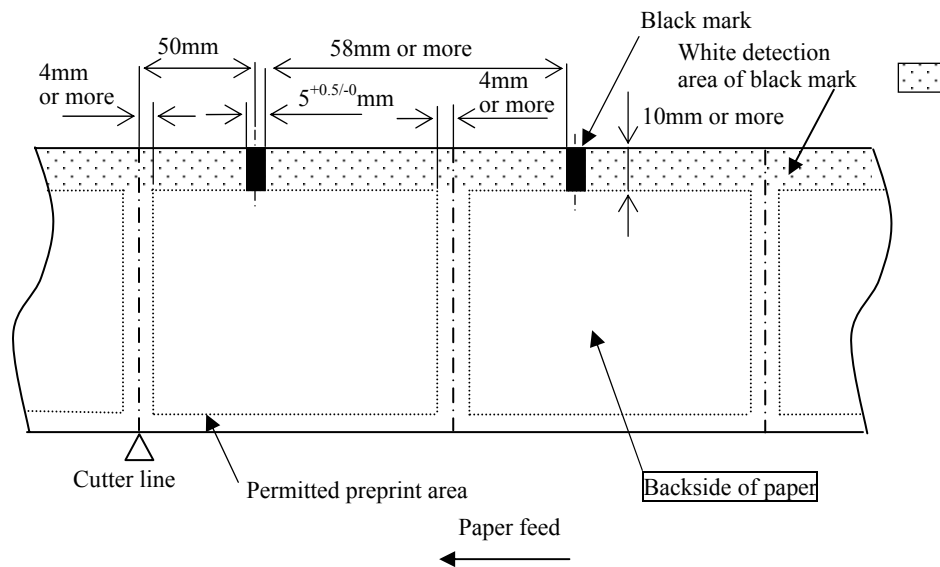
**Note:** No Condensation

- (3) Maximum wet-bulb temperature: 29°C or less

## A-6. Specifications of Reliability

- a) Printer life  
Feed of 25 million lines (Specified thermal paper) or 5 years
- b) Head  
Running life: 150km (Specified single-color thermal paper)  
75km (Specified dual-color thermal paper)  
Pulse life: 150 million pulses
- c) Cutter  
2,000,000 cuts (Specified thermal paper 75 $\mu$ m)  
500,000 cuts (Specified thick thermal paper 150 $\mu$ m)  
200,000 cuts (Specified label thermal paper)

## A-7. Black mark specification (Printer with black mark sensor only)



**Note:**

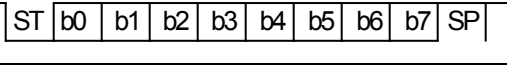
1. As there is a variation in the paper cut position, please leave a gap of at least 4mm centered on the cut position when formatting printing.
2. When formatting print for the white detection area, please follow the following reflective indices:
  - Black mark reflective index: 15% or less.
  - White area above and below the black mark (white detection area): 75% or more.

The reflective index value is determined using a McBeth density meter with C filter, with a black packing plate behind the test sample.

## Appendix B: Interface

### B-1. Serial Interface

#### Specifications of transmission interface

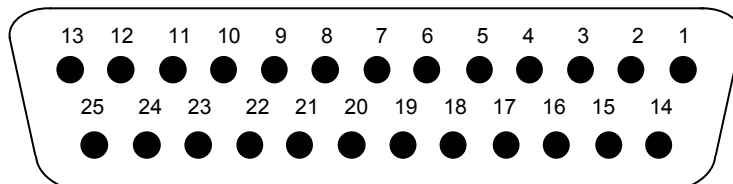
Applicable line	Leased direct line
Transmission speed	2400,4800,9600,19200,38400,57600 bps (Specified at setup)
Communication system	Full duplex
Synchronization system	Start-stop type
Connection method	Asynchronous response system
Transmission code type	7-bit or 8-bit code
Transmission code format	Start bit length: 1 bit, Stop bit length: 1 bit Data bit length: 7 or 8 bits (specified at setup) Parity bit: NONE, ODD, EVEN (specified at setup) Mark (1)  Space (0)
Transmission sequence	LSB first system
Transmission code system	JIS code
Error control	Parity check (specified at setup)
Maximum connection line length	15 m (for power supplied via AC adapter) or 2 m (for power supplied via interface connector)
Input/output circuits	Input: Equivalent to MAX211 Output: Equivalent to MAX211
Protocol	DSR/DTR, XON/XOFF (specified at setup)

RS-232C connector

Pin No.	Signal name	I/O direction	Function
1	FG	--	Frame ground
2	TXD	Output	Send data
3	RXD	Input	Receive data
4	RTS	Output	Send request
5	CTS	Input	Send permission
6	DSR	Input	Data set ready
7	SG	--	Signal ground
8 to 12	N.C.	--	Unused
13	SG2	Input	+24 V ground
14	SG2	Input	+24 V ground
15 to 17	N.C.	--	Unused
18	+24V	Input	Power supply for mechanism drive
19	+24V	Input	Power supply for mechanism drive
20	DTR	Output	Data terminal ready
21 to 24	N.C.	--	Unused
25	INIT	Input	Forced reset

**Notes:**

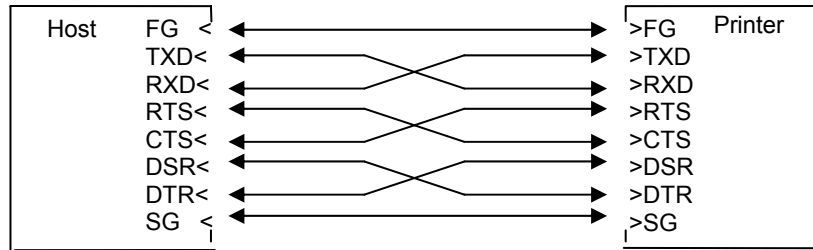
1. To supply power from the power connector, do not connect the pins shaded(■)in the above table.
2. Use inch- screws to secure the connection.



Connecting side

### Connection cables

(1) The following cable connection configuration is recommended:



(2) To supply power via the interface connector, use a cable with suitable wire diameter and length so power is not reduced.

## B-2. Parallel Interface

### (1) Forward channel

Pin No.	Signal name	I/O direction	Pin No.	Signal name	I/O direction
1	*STROBE	Input	19	*STROBE-RET	
2	DATA1	Input	20	DATA1-RET	
3	DATA2	Input	21	DATA2-RET	
4	DATA3	Input	22	DATA3-RET	
5	DATA4	Input	23	DATA4-RET	
6	DATA5	Input	24	DATA5-RET	
7	DATA6	Input	25	DATA6-RET	
8	DATA7	Input	26	DATA7-RET	
9	DATA8	Input	27	DATA8-RET	
10	*ACKNLG	Output	28	*ACKNLG-RET	
11	BUSY	Output	29	BUSY-RET	
12	PE	Output	30	*INIT-RET	
13	SLCT	Output	31	*INIT	Input
14	*AUTOFEEDXT	Input	32	*FAULT	Output
15	N.C.		33	SG1	Output
16	SG1		34	DK_STATUS	Output
17	FG		35	+5V	Output
18	LOGIC-H	Output	36	*SLCTIN	Input

#### Notes:

1. Each -RET is connected to SG.
2. "\*" indicates a negative-logic signal.

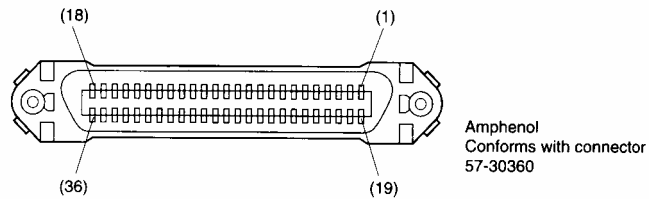


(2) Reverse channel

Pin No.	Signal name	I/O direction	Pin No.	Signal name	I/O direction
1	HostClk	Input	19	HostClk-RET	
2	DATA1	Input	20	DATA1-RET	
3	DATA2	Input	21	DATA2-RET	
4	DATA3	Input	22	DATA3-RET	
5	DATA4	Input	23	DATA4-RET	
6	DATA5	Input	24	DATA5-RET	
7	DATA6	Input	25	DATA6-RET	
8	DATA7	Input	26	DATA7-RET	
9	DATA8	Input	27	DATA8-RET	
10	PtrClk	Output	28	PtrClk-RET	
11	PtrBusy	Output	29	PtrBusy-RET	
12	AckDateReq	Output	30	*INIT-RET	
13	Xflag	Output	31	*INIT	Input
14	HostBusy	Input	32	*DataAvail	Output
15	N.C.		33	SG1	Output
16	SG1		34	DK_STATUS	Output
17	FG		35	+5V	Output
18	LOGIC-H	Output	36	1284-Active	Input

**Notes:**

1. Each -RET is connected to SG.
2. "\*" indicates a negative-logic signal.



### B-3. USB Interface

#### (1) Type-B Connector: 4Pin

Item	Signal Name	I/O direction	Function
1	BUS5V	--	BUS-POWER5V
2	D-inB	In/Out	D-
3	D+inB	In/Out	D+
4	SG1	--	Grand

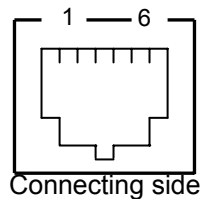
#### (2) Type-A Connector: 8Pin

Item	Signal Name	I/O direction	Function
1	USB5V2	Out	+5V for A1
2	D-OUTA2	In/Out	D- for A2
3	D+OUTA2	In/Out	D+ for A3
4	SG1	--	Grand for A4
5	USB5V3	Out	+5V for B1
6	D-OUTA3	In/Out	D- for B2
7	D+OUTA3	In/Out	D+ for B3
8	SG1	--	Grand for B4

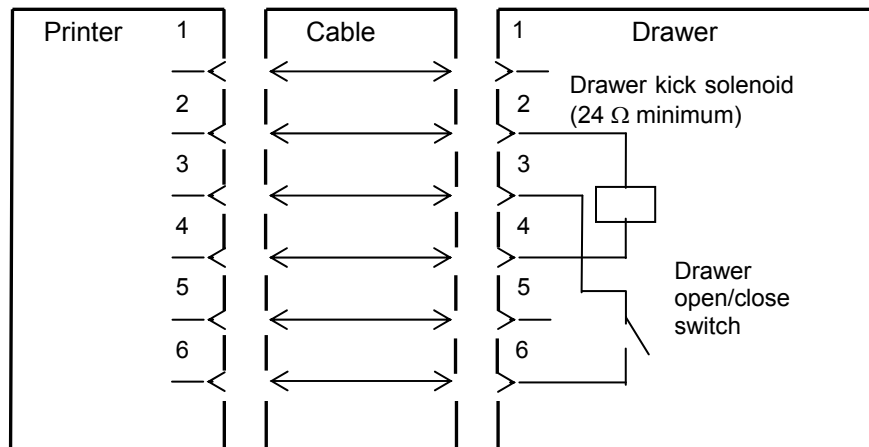
**Note:** The electric power consumption of the device connected with the Type-A connector should be up to 0.1A or less. When the device that exceeds this condition is connected, it would cause the failure of the printer. The USB cable must be a shielded one.

### B-4. Drawer Kick Connector

Pin No.	Signal Name	I/O direction	Function
1	DRSNS2	Drawer sense signal 2	Input
2	*DRD1	Drawer kick drive signal 1	Output
3	DRSNS1	Drawer sense signal 1	Input
4	+24V	Drive power	Output
5	*DRD2	Drawer kick drive signal 2	Output
6	SG	Drawer sense ground signal	Output



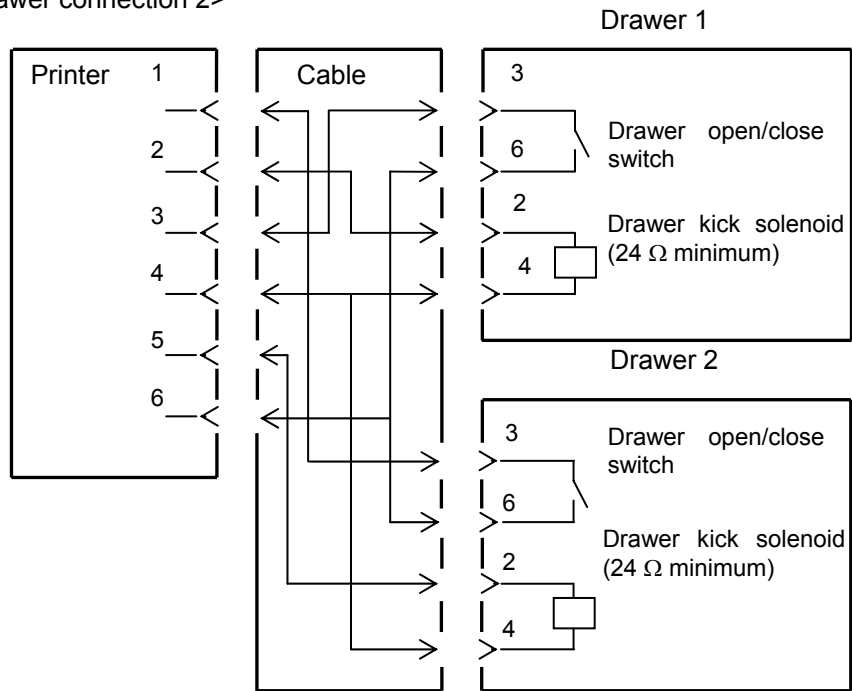
<Drawer connection 1>



**Notes:**

1. Use a shielded drawer cable.
2. Two drives cannot be driven simultaneously.
3. The drawer on/off time must be specified using t1 and t2 in the pulse generation command (ESC p m t1 t2).
4. The drawer drive duty must be as follows:  
$$\text{ON-time}/(\text{ON-time} + \text{OFF-time}) \leq 0.2$$
5. The drawer power must always be supplied from the printer power supply unit via connector pin 4.
6. The resistance of the drawer kick solenoid must be at least 24  $\Omega$ . If a solenoid with a lower resistance is used, the solenoid might be destroyed by over current.

<Drawer connection 2>



### B-5. Specifications of Power Supply

(1) Operating voltage: DC 24V±10%

(2) Current consumption

-Standby: 0.3 A (on average)

**Note:** Maximum drawer kick drive current: 1 A

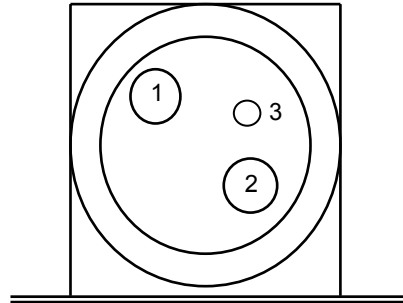
Two drawer kicks must not be driven simultaneously.

-Average current consumption Operating: 1.5 A

(at 24 V, 25°C, print density setting 100%, paper width 80 mm, print duty 9%)

Arrangement of power  
connector pins

Pin No.	Signal Name
1	+24 V
2	SG
3	N.C



APPENDIX

**Note:**

1. This power connector is used to supply the control and mechanical sections of the printer.
2. This power connector must not be used to supply power if power is supplied from the interface connector. Doing so may result in malfunction, fire or electric shock.

## Appendix C: Special Modes

### C-1. Test Printing

Turn off the printer power switch, put the paper in place, and turn on the printer power switch while holding down the FEED switch on the control panel. The data below is printed. When "Test print" is printed, press the FEED switch for about two seconds to start the test printing.

After a fixed amount of data is printed, the paper is automatically cut and the test printing terminates.

TEST PRINT

```
END
SET UP
HEX DUMP
TEST PRINT
```

SELECTION ITEM

ITEM SELECTION: FEED SW IS PUSHED SHORT

ITEM SELECTION: FEED SW IS PUSHED LONG

Example of contents of test printing

```
Firmware Number KA02001-J005
Firmware Version 01A (018701)
```

```
POWER ON STATUS    DISABLE
RECEIVE BUFFER     4K BYTE
BUSYCONDITION      OFFLINE/BUFFERFULL
RECEIVE ERROR      ?PRINT
AUTO LF            DISABLE
```

•

•



### C-3. Setting up the Printer

- (1) Turn off the printer power switch, put the paper in place, and turn on the printer power switch while holding down the FEED switch on the control panel. Press the FEED switch for a short time. When "Setup" is printed, press the FEED switch for about two seconds to enter setup mode. The following data is printed:

```
SETTING
SAVE&END
DEFAULT SET
SETUP PRINT
SETTING
_____ SELECTION ITEM _____
```

ITEM SELECTION: FEED SW IS PUSHED SHORT  
ITEM SELECTION: FEED SW IS PUSHED LONG

SETUP MODE

- (2) Pressing the FEED switch for about two seconds when "SETTING" is printed puts the printer in setup mode and the setup group items are printed.
- (3) Select and determine the setup group items, setup items, and detail setup items sequentially as shown below.



MEMORY SWITCH

RETURN TO SETUP MENU
OTHER
SERIAL INTERFACE CONDITION
CUSTOMIZE VALUE
MEMORY SWITCH

:Setup group items

SELECTION ITEM



POWER ON STATUS

RETURN TO SETUP MENU
RETURN TO UP
COVEROPEN ERROR
BM CHECK AT POW-ON
.

:Setup items  
(of memory switch)

SELECTION ITEM



POWER ON STATUS	DISABLE
POWER ON STATUS	DISABLE
POWER ON STATUS	ENABLE

:Detail setup items  
(of power-on notification)

SELECTION ITEM

**Note:**

Use a roll of paper having a diameter no larger than 50 mm. Using a larger roll might cause the paper to fold or abnormal noise. To use a Windows PC as the host, use the setup utility software. (To purchase the setup utility software, contact your sales agent.)

- (4) After the setup is complete and "END" is printed, press the FEED switch for about two seconds. This cancels setup mode, and initialization of the printer begins.

## C-4 Setup Items

### (1) MEMORY SWITCH setup items

No.	Item	Explanation	Detail Setup Item
1	POWER ON STATUS	-Specifies reporting the power-on state.	ENABLE DISABLE
2	RECEIVE BUFFER	-Specifies the capacity of the receive buffer.	45BYTE 4KBYTE
3	BUSY CONDITION	-Specifies conditions that determine the printer busy status.	BUFFERFULL OFFLINE/BUF-FER FULL
4	RECEIVE ERROR	-Specifies how to handle receive errors -This item is valid only for the serial interface.	IGNORE ?PRINT
5	AUTO LF	-Specifies automatic line feed using the CR code. -This item is valid only for the Parallel interface.	ENABLE DISABLE
6	DSR(#6)RESET	-Specifies the reset operation using the DSR(#6) signal. -This item is valid only for the serial interface.	ENABLE DISABLE
7	INIT(#25) RESET	-Specifies the reset operation using the INIT(#25) signal. -This item is valid only for the serial interface.	ENABLE DISABLE
8	INIT(#31) RESET	-Specifies reset using the INIT(#31) signal. -This item is valid only for the Parallel interface.	ENABLE DISABLE
9	BM CHECK AT POW-ON	-Specifies the adjustment of the leading edge of the paper at power-on. -This item is valid only when the black mark detection unit is installed and "BM sensor installed" is set.	ENABLE DISABLE
10	COVER OPEN ERROR	-Specifies how to handle a cover open error during printing.	AUTO RECOVERY RECOVERY BY CMND
11	RETURN TO UP	-Returns the menu to the selection mode for setup group items.	
12	RETURN TO SETUP MENU	-Returns the menu to the setup mode menu.	

**Note:**

If connecting this product to a Windows PC via the serial interface, do not select "DSR(#6)RESET: ENABLE ."

If "Valid" is selected, this product might not operate even if the printer power is turned on. In this case, turn off the power, disconnect the interface cable from the printer, turn the power back on, and select "DSR(#6)RESET: DISABLE" in setup mode.

"DSR(#6)RESET: ENABLE" is supplied only for special specifications.

**(2) CUSTOMIZE VALUE setup items**

No.	Item	Explanation	Detail setup item
1	USER NV MEMORY	-Capacity of the user NV memory	1KBYTE 64KBYTE, 128KBYTE 192KBYTE
2	NV GRAPHIC MEMORY	-Capacity of the NV graphic memory	None 64KBYTE 128KBYTE 192KBYTE 256KBYTE 320KBYTE 384KBYTE
3	PRINT WIDTH	-Width of paper	58mm 80mm
4	PRINT DENSITY	-Print density	70% 75% 80% 85% 90% 95% 100% 105% 110% 115% 120% 125% 130%
5	PRINT COLOR	-Print colors -The color specification command is invalid unless "Dual-tone" is specified for this item.	MONO TWO
6	RETURN TO UP	-Returns to the selection mode for the setup group items.	
7	RETURN TO SETUP MENU	-Returns to the setup menu.	

**APPENDIX**
**(3) SERIAL INTERFACE CONDITION setup items**

No.	Item	Explanation	Detail setup item
1	BAUDRATE	-Baud rate	2400BPS 4800BPS 9600BPS 19200BPS 38400BPS 57600BPS
2	FORMAT	-Data format	7EVEN1 7ODD1 8NONE1 8EVEN1 8ODD1
3	PROTOCOL	-Buffer control protocol	XON/XOFF DSR/DTR
4	RETURN TO UP	-Returns to the selection mode for the setup group items.	
5	RETURN TO SETUP MENU	-Returns to the setup mode.	

(4) OTHER setup items

No.	Item	Explanation	Detail setup item
1	BATCH PRINTING	-Specifies batched printing mode.	ENABLE DISABLE
2	FONT SIZE	-Specifies font to be used. -Specifies size of kanji font and alphanumeric/kanji font.	22×22 24×24
3	PRINT COLUMN (58mm)	-Specifies number of columns to be printed. -This item is only valid if the paper width is 58 mm.	35COLUMN 32 COLUMN
4	PRINT COLUMN (80mm)	-Specifies the number of columns to be printed. -This item is only valid if the paper width is 80 mm.	48COLUMN 42COLUMN
5	ACK PULSE WIDTH	-Specifies the ACK pulse width. -This item is valid only for the Parallel interface.	1μs 8μs
6	CUTTER PRESSURE	-Specifies the force of the paper cutter based on paper weight.	NORMAL THICK PAPER
7	BM SENSOR	-Specifies whether the black mark sensor is mounted. -Specify "Yes" only if the black mark sensor is mounted.	INSTALLED UNINSTALL
8	RETURN TO UP	-Returns to the selection mode for the setup group items.	
9	RETURN TO SETUP MENU	-Returns to the setup mode menu.	

Address your comments and inquiries on this manual to:

FUJITSU ISOTEC LIMITED  
135 Higashinozaki Hobara-Machi Date-gun, Fukushima JAPAN  
TEL: (81-24)574-2224  
FAX: (81-24)574-2244

## Free Manuals Download Website

<http://myh66.com>

<http://usermanuals.us>

<http://www.somanuals.com>

<http://www.4manuals.cc>

<http://www.manual-lib.com>

<http://www.404manual.com>

<http://www.luxmanual.com>

<http://aubethermostatmanual.com>

Golf course search by state

<http://golfingnear.com>

Email search by domain

<http://emailbydomain.com>

Auto manuals search

<http://auto.somanuals.com>

TV manuals search

<http://tv.somanuals.com>