

24V DRIVEN RECEIPT PRINTER UNIT 2" PRINTER UNIT

FTP-622UCL510 / USL547

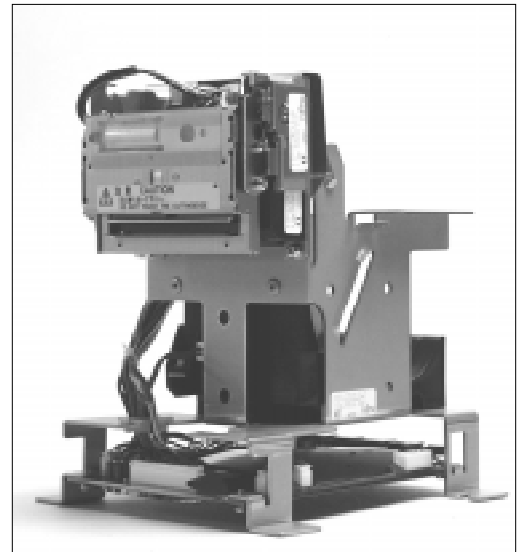
■ OVERVIEW

The FTP-622 UCL/USL Series is 24V driven receipt printer unit with cutter for 2 inch wide paper. The unit has our high-speed FTP-622 MCL mechanism, cutter and control board, with an integrated paper feed and built-in paper guide section.

The receipt printer unit is most suitable for applications such as POS, ATM, and receipt and ticket issuing printers for various other equipment.

■ FEATURES

- Unit supported (mounting is easy)
- High speed printer (80mm / sec.)
- Auto cutter included
- Paper near end-detection function
- Low power consumption



■ DESIGNATION

Item		Part number
Printer module Interface	Parallel (Centronics)	FTP-622UCL510 ^{*1}
	Serial (RS-232C)	FTP-622USL547 ^{*2}
Cables	Parallel interface	FTP-622Y201
	Serial interface	FTP-622Y301
	Power for head, motor and logic	FTP-622Y401

*1: Interface board is FTP-622DCL111

*2: Interface board is FTP-622DSL112

■ SPECIFICATIONS

Item		Specifications
Part number		FTP-622UCL510 FTP-622USL547
Printing method		Thermal-sensitive line dot method
Dot structure		448 dots/line
Dot pitch (Horizontal)		0.125 mm (8 dots/mm)—Dot density
Dot pitch (Vertical)		0.125 mm (8 dots/mm)—Line feed pitch
Effective printing area		56 mm
Paper width		58 ⁺⁰ ₋₁ mm
Paper thickness		60 to 100 μm
Cutting type		Full or partial
Number of columns		37 columns/line (24×12 dot font)
Maximum printing speed		640 dotlines/s (80 mm/s, 50mm/s, 30mm/s)
Character types		Alphanumeric KANA: 159 International characters: 195 JIS KANJI (FTP-622DCL111, DSL112): approximately 6800
Character composition, dimensions (H×W), Number of characters		24 × 12 dots, (3.0 × 1.5 mm), 37 columns 24 × 24 dots, (3.0 × 3.0 mm), 18 columns 16 × 8 dots, (2.0 × 1.0 mm), 56 columns 16 × 16 dots, (2.0 × 2.0 mm), 28 columns
Interface		Parallel Serial RS232C
Power supply	For head	24VDC ± 5%, Voltage Current : average ^{*1} (): Peak 0.87 (1.16) A (at 80 mm/s printing speed, 25% printing ratio) 0.63 (1.16) A (at 50 mm/s printing speed, 25% printing ratio) 0.58 (0.58) A (at 30 mm/s printing speed, 25% printing ratio)
	For motor	24VDC ± 5%, 1.0 A maximum
	For cutter	
	For logic	5VDC ± 5%, 0.5 A maximum
Dimensions		130(W) × 144(D) × 170 (H) mm
Weight (Mechanism + Cutter)		Approximately 1 kg
Expected life	Mechanism	Pulse durability : 1 × 10 ⁸ pulse/dot (using Fujitsu Takamisawa's standard driving method) Wear resistance: 50 km (at 25% printing ratio)
	Cutter	300,000 cuts

(Continued)

(Continued)

Item		Specifications
Environmental conditions	Operating temperature	0 to +50°C*2
	Operating humidity	20 to 85% RH (no condensation)
	Storage temperature	-20 to +60°C (excluding paper)
	Storage humidity	5 to 95% RH (no condensation)
Detection	Head temperature	By thermistor (applied energy control, abnormal temperature detection)
	Paper out/Mark detect	By photointerrupter
	Head-up	By microswitch
	Near end paper	By mechanical switch
Recommended thermal sensitive paper		For front insertion use (58 mm width) : FTP-020P0701/P0102 Recommended papers · Oji Paper : PD150R,PD160R-N,PD170R · NIPPON Paper : TF50KS-E,TF60KS-E,TF50KS-E4 · MITSUBISHI Paper Mills : P220VBB-1,AFP-235

*1: 24VDC, minimum head resistance.

*2: Guarantee: +5°C to +40°C.

■ FUNCTIONS

Item	Item
1. Test print function	7. Head voltage abnormality detection
2. Paper out detection	8. Cutter abnormality detection
3. Paper near end detection	9. Motor power saving function
4. Head up detection	10. Mark detection function
5. Thermal head temperature abnormality detection	11. MCU operation abnormality detection
6. Blow-out fuse detection	12. Bar code

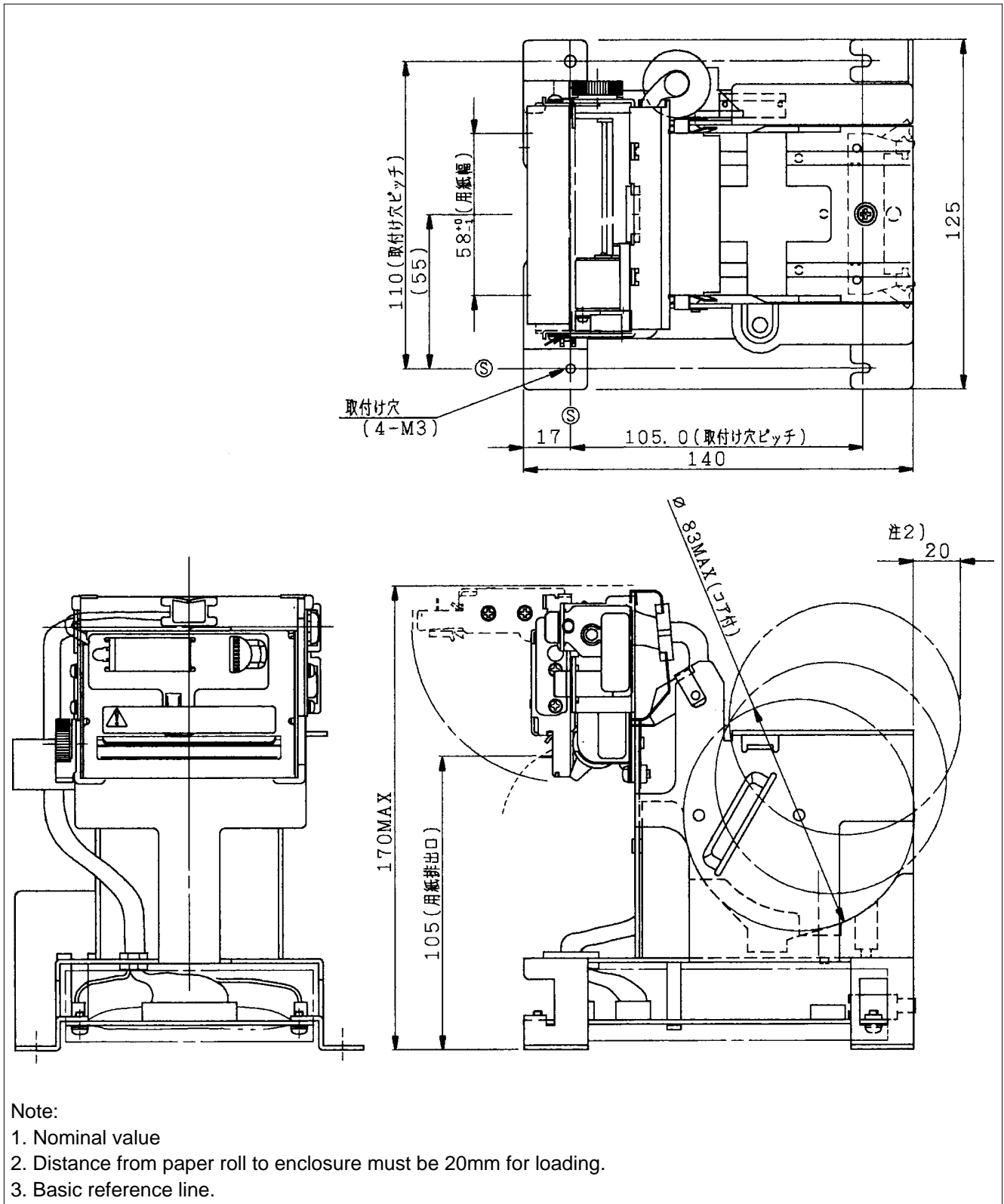
■ INTERFACE , COMMAND, OPTIONS

Please refer to the FTP-622DCL111 for the FTP-622UCL510, and the FTP-622DSL112 for the FTP-622DSL547.

Interface command options, please see FTP-622DCL/DSL datasheet.

■ DIMENSIONS

Integrated unit



Note:

1. Nominal value
2. Distance from paper roll to enclosure must be 20mm for loading.
3. Basic reference line.

Fujitsu Components International Headquarter Offices

Japan

Fujitsu Component Limited
Gotanda-Chuo Building
3-5, Higashigotanda 2-chome, Shinagawa-ku
Tokyo 141, Japan
Tel: (81-3) 5449-7010
Fax: (81-3) 5449-2626
Email: promothq@ft.ed.fujitsu.com
Web: www.fcl.fujitsu.com

North and South America

Fujitsu Components America, Inc.
250 E. Caribbean Drive
Sunnyvale, CA 94089 U.S.A.
Tel: (1-408) 745-4900
Fax: (1-408) 745-4970
Email: marcom@fcai.fujitsu.com
Web: www.fcai.fujitsu.com

Europe

Fujitsu Components Europe B.V.
Diamantlaan 25
2132 WV Hoofddorp
Netherlands
Tel: (31-23) 5560910
Fax: (31-23) 5560950
Email: info@fceu.fujitsu.com
Web: www.fceu.fujitsu.com

Asia Pacific

Fujitsu Components Asia Ltd.
102E Pasir Panjang Road
#04-01 Citilink Warehouse Complex
Singapore 118529
Tel: (65) 6375-8560
Fax: (65) 6273-3021
Email: fcal@fcal.fujitsu.com
www.fcal.fujitsu.com

© 2004 Fujitsu Components America, Inc. All company and product names are trademarks or registered trademarks of their respective owners. Rev. 11/15/2004.

Free Manuals Download Website

<http://myh66.com>

<http://usermanuals.us>

<http://www.somanuals.com>

<http://www.4manuals.cc>

<http://www.manual-lib.com>

<http://www.404manual.com>

<http://www.luxmanual.com>

<http://aubethermostatmanual.com>

Golf course search by state

<http://golfingnear.com>

Email search by domain

<http://emailbydomain.com>

Auto manuals search

<http://auto.somanuals.com>

TV manuals search

<http://tv.somanuals.com>