

Harsh Environment Case

User's Instructions

PenCentra 130 and 200

These instructions provide details on using the FMWCC36 harsh environment case (HEC). The HEC provides added protection for your PenCentra 130 or PenCentra 200 when it is being used, transported, or stored. Note the following when using the harsh environment case:

- When charging the pen tablet in the HEC, suspend the system to avoid overheating.
- To prevent scratches, a screen protector should be installed on the display window of the HEC. Two screen protectors are provided with the HEC. Additional screen protectors can be obtained using order number FMWSP9 (12-pack).
- If your PenCentra 130 or PenCentra 200 will be used both with and without the HEC, any screen protector on the pen tablet can be left in place. However, if the pen tablet will be used only in the HEC, any screen protector on the pen tablet should be removed for better viewing.
- If you use a pen tether, attach it to one of the D-rings on the back of the case.

Installing the Pen Tablet in the Case

Unzip the wraparound zipper, and lay the HEC open flat, as shown in Figure 1.

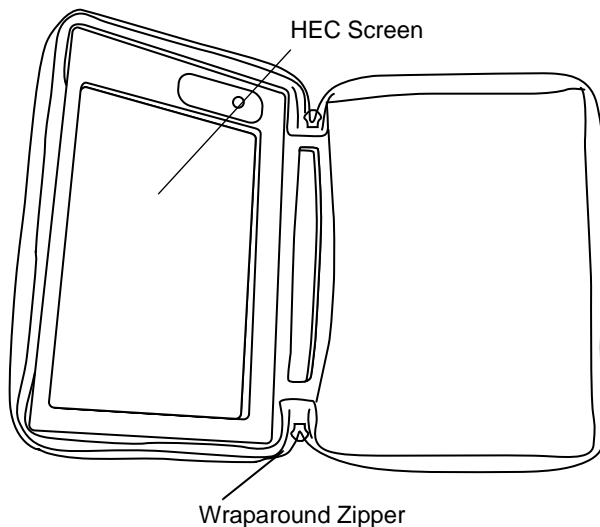


Figure 1. Empty PenCentra HEC

Position your PenCentra in the back of the case, as shown in Figure 2. Zip up the wraparound zipper. Verify that the Record Button extension is positioned directly over the Record Button.

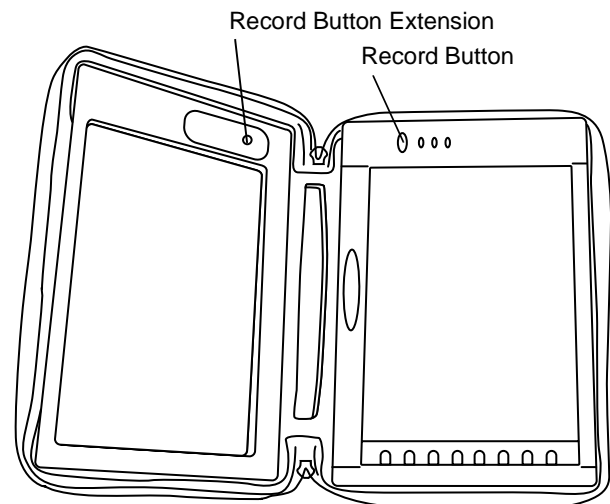


Figure 2. PenCentra in HEC

Once the system is installed in the HEC, you can either store the pen in the system pen holder or it can be stored in the pen holder on the left of the HEC, as shown in Figure 3.

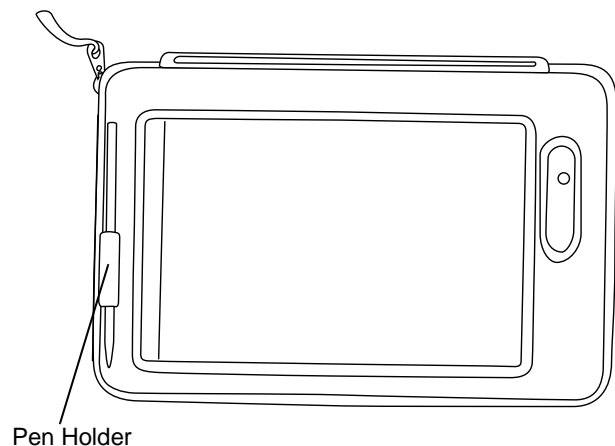


Figure 3. Enclosed PenCentra

Installing a Screen Protector

1. To ensure good adhesion, clean the exterior surface of the HEC window with a soft cotton cloth dampened with denatured alcohol before installing the screen protector.

Note: Using denatured alcohol to clean the window may result in streaking when it dries. If streaking occurs, gently buff the surface with a clean, soft cloth.

- For installation on the harsh environment case (HEC), remove the edge from the screen protector, as shown in Figure 4.

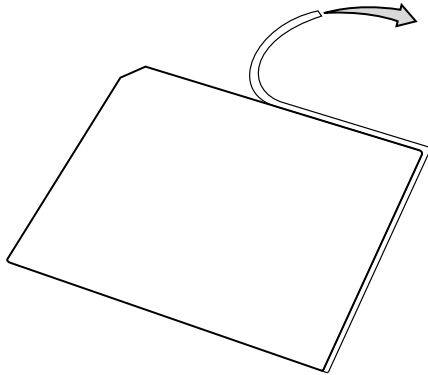


Figure 4. Removing Screen Protector Edge Strip

- Peel the protective film from the adhesive side of screen protector as shown in Figure 5.

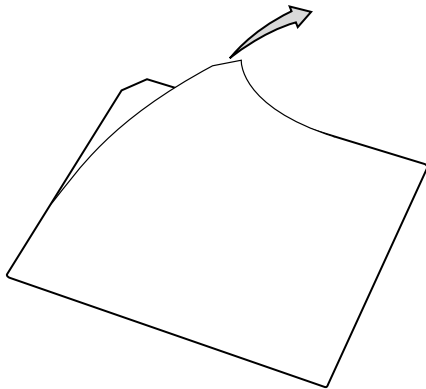


Figure 5. Removing Adhesive Backing

- Apply the screen protector with the adhesive side down and the notch in the lower left corner as shown in Figure 6. Apply pressure along the edges of the screen protector with your finger. (Avoid lifting the screen protector from the display window after it is installed. The adhesive requires 48 hours to cure completely.

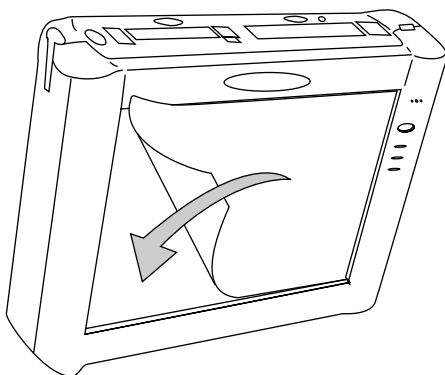


Figure 6. Applying the Screen Protector

- Remove the protective film from the top surface of the screen protector as shown in Figure 7.

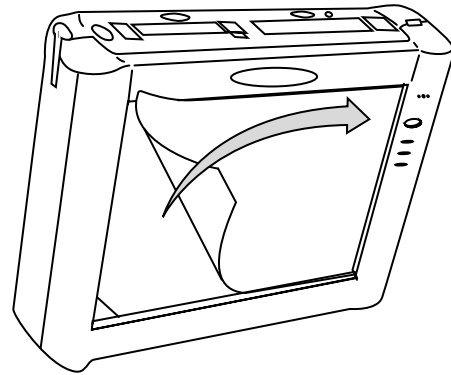


Figure 7. Peeling the Protective Film

- Wipe the exposed surface of the screen protector with a clean dry cloth to remove any tacky residue left behind by the protective film. If necessary, clean the surface of the HEC window with a soft cotton cloth dampened with denatured alcohol to remove the residue.

Using the carrying strap and hand straps

The carrying strap assembly can be attached to either end of the HEC, depending upon your preference. Attach the clips to either the left or right set of d-rings.

One or both of the two elasticized handstraps can be used. Slide your hand between one or both straps (whichever is most comfortable) and the HEC.

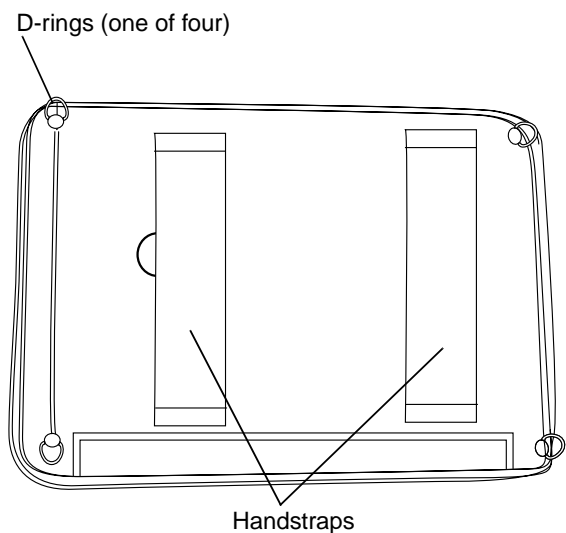


Figure 8. HEC Handstrap Assembly

Free Manuals Download Website

<http://myh66.com>

<http://usermanuals.us>

<http://www.somanuals.com>

<http://www.4manuals.cc>

<http://www.manual-lib.com>

<http://www.404manual.com>

<http://www.luxmanual.com>

<http://aubethermostatmanual.com>

Golf course search by state

<http://golfingnear.com>

Email search by domain

<http://emailbydomain.com>

Auto manuals search

<http://auto.somanuals.com>

TV manuals search

<http://tv.somanuals.com>