



**MAF3364LC/LP/MC/MP SERIES
MAE3182LC/LP, MAE3091LC/LP
SERIES
MAG3182LC/LP/MC/MP,
MAG3091LC/LP/MC/MP SERIES
DISK DRIVES
PRODUCT MANUAL**

C141-E064-03EN

REVISION RECORD		
Edition	Date published	Revised contents
01	Nov., 1998	
02	May, 1999	
03	Oct., 1999	MC/MP types are added.
Specification No.: C141-E064-**EN		

The contents of this manual is subject to change without prior notice.

All Rights Reserved.
Copyright © 1999 FUJITSU LIMITED

This page is intentionally left blank.

FOR SAFE OPERATION

Handling of This manual

This manual contains important information for using this product. Read thoroughly before using the product. Use this product only after thoroughly reading and understanding especially the section “Important Alert Items” in this manual. Keep this manual handy, and keep it carefully.

FUJITSU makes every effort to prevent users and bystanders from being injured or from suffering damage to their property. Use the product according to this manual.

Functional Limitations

There may be certain functional limitations concerning the specifications and functions of the products covered by this manual depending on the equipment version, especially concerning the following functions.

Versions in which these functions can be used will be communicated through “ENGINEERING CHANGE REQUEST/NOTICE”, issued by Fujitsu.

Function	Equipment Version Which Supports These Functions		
	Equipment Version No.	EPROM Version No.	Standard INQUIRY Data Product Revision (ASCII)
READ RAM Command WRITE RAM Command]— These commands cannot be used in the current version.		

(Proceed to the Copyright Page)

Related Standards

Specifications and functions of products covered by this manual comply with the following standards.

Standard (Text) No.	Name	Enacting Organization
ANSI X3.131-1986	American National Standard for Information Systems—Small Computer System Interface (SCSI)	American National Standards Institute (ANSI)
ANSI X3.131-1994	American National Standard for Information Systems—Small Computer System Interface - 2(SCSI-2)	American National Standards Institute (ANSI)
X3T9.2/85-52 Rev 4.B	COMMON COMMAND SET (CCS) of the Small Computer System Interface (SCSI)	American National Standards Institute (ANSI)
X3T9.2 855D Rev 12	WORKING DRAFT Information Technology SCSI-3 Parallel Interface	American National Standards Institute (ANSI)
X3T10/10T1D Rev 6	Draft proposed American National Standard for Information Systems—SCSI-3 Fast-20 Parallel Interface (Fast 20-SCSI)	American National Standards Institute (ANSI)

All Right Reserved, Copyright © 1998, 1999 Fujitsu Limited

PREFACE

This manual describes the MAF3364LC/LP/MC/MP (hereafter, MAF series), MAE3182LC/LP, MAE3091LC/LP, (hereafter, MAE series), and MAG3182LC/LP/MC/MP, MAG3091LC/LP/MC/MP (hereafter, MAG series), 3.5-inch fixed disk drives with an embedded SCSI controller.

This manual details the specifications and functions of the above disk drive, and gives the requirements and procedures for installing it into a host computer system.

This manual is written for users who have a basic understanding of fixed disk drives and their use in computer systems. The MANUAL ORGANIZATION section describes organization and scope of this manual. The need arises, use the other manuals.

Chapter 1 GENERAL DESCRIPTION

This chapter introduces the MAF series, MAE series and MAG series disk drives and discusses their standard features, hardware, and system configuration.

Chapter 2 SPECIFICATIONS

This chapter gives detailed specifications of the MAF series, MAE series and MAG series disk drives and their installation environment.

Chapter 3 DATA FORMAT

This chapter describes the data structure of the disk, the address method, and what to do about media defects.

Chapter 4 INSTALLATION REQUIREMENTS

This chapter describes the basic physical and electrical requirements for installing MAF series, MAE series and MAG series disk drives.

Chapter 5 INSTALLATION

This chapter explains how to install MAF series, MAE series and MAG series disk drives. It includes the notice and procedures for setting device number and operation modes, mounting the disk drive, connecting the cables, and confirming drive operation.

Chapter 6 DIAGNOSIS and MAINTENANCE

This chapter describes the automatic diagnosis, and maintenance of the MAF series, MAE series and MAG series disk drive.

APPENDIX A to D


The appendixes give supplementary information, including the locations of mounting setting terminals and connectors, a list of setting items, the signal assignments of interface connectors, lists of model names and product numbers, and SCSI interface functions.

The model numbers have a suffix that describes the electrical requirements of the SCSI interface between host system and disk drive, the data formatted at the factory and device type.


CONVENTIONS

This manual uses the following conventions for alerts to prevent physical or property damages to users or by standards.


DANGER

 DANGER indicates that personal injury *will* occur if the user does not perform the procedure correctly.

WARNING

 WARNING indicates that personal injury *could* occur if the user does not perform the procedure correctly.

CAUTION

 CAUTION indicates that either minor or moderate personal injury *may* occur if the user does not perform the procedure correctly.

NOTICE

NOTICE indicates that inconvenience to the user such as damages to the product, equipment, data, and/or other property may occur if the user does not pay attention or perform the procedure correctly.

IMPORTANT

IMPORTANT indicates information that helps the user use the product more effectively.

Indicates

This manual indicates;

Decimal number: Indicates as it is.

Hexadecimal number: Indicates as X'17B9', 17B9h, or 17B9H

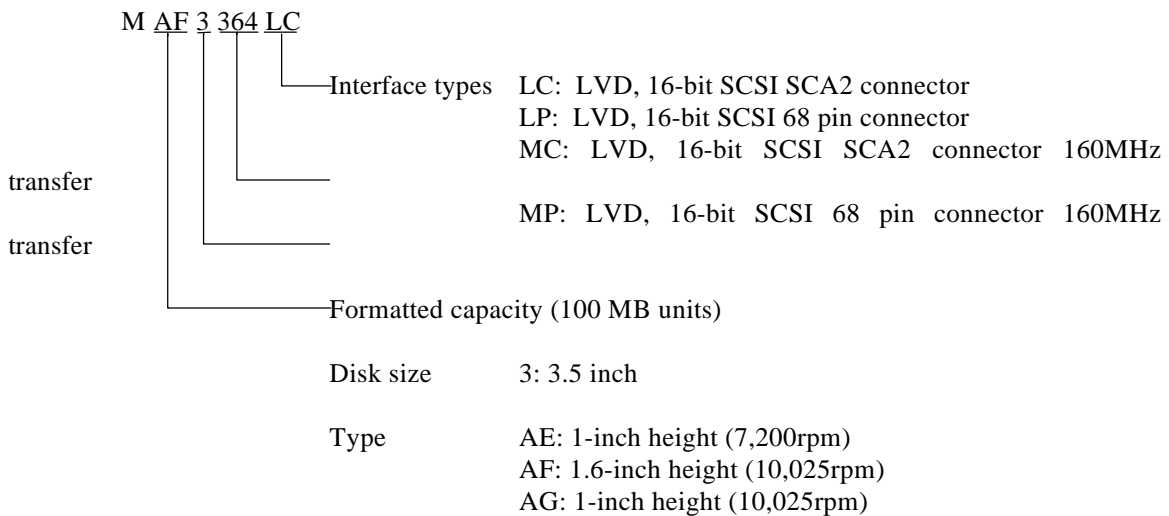
Binary number: Indicates as "010"

DISCLAIMER

Failure of the MAF series, MAE series and MAG series intelligent disk drive is defined as a failure requiring adjustments, repairs, or replacement. Fujitsu is not responsible for drive failures caused by misuse by the user, poor environmental conditions, power trouble, host problems, cable failures, or any failure not caused by the drive itself.

The suffix of the model name of the disk drive varies depending on the electrical requirements, capacity, and data format at factory shipment of the SCSI, i.e., the interface for connecting the three device types or host system and the disk drives (Note 1). However, in this manual, the typical model names (Note 2) are used unless otherwise noted. These disk drives may be called intelligent disk drives (IDD), drives, or devices in this manual.

Note 1: Model names



Note 2: Type model name

Type model name	Model name
MAE3182	MAE3182LC, MAE3182LP
MAE3091	MAE3091LC, MAE3091LP
MAF3364	MAF3364LC, MAF3364LP, MAF3364MC, MAF3364MP
MAG3182	MAG3182LC, MAG3182LP, MAG3182MC, MAG3182MP
MAG3091	MAG3091LC, MAG3091LP, MAG3091MC, MAG3091MP

Important Alert Items

Important Alert Messages

The important alert messages in this manual are as follows:



A hazardous situation *could* result in *minor* or *moderate* personal injury if the user does not perform the procedure correctly. This alert signal also indicates that damages to the product or other property, *may* occur if the user does not perform the procedure correctly.

Task	Alert message	Page
Mounting Installation	<p><i>Heat</i></p> <p><i>An air flow with an adequate wind velocity must be maintained to deal with much heat generated from the MAF3364xx.</i></p> <p><i>Reference value: An air flow with a wind velocity of more than 0.5 m/s is required in an environment at 40°C, and an air flow with a wind velocity of more than 1.0m/s in an environment at 45°C (Center of DE cover 55°C).</i></p>	4-10
	<p><i>Data loss</i></p> <ol style="list-style-type: none"> 1. <i>The user must not change the setting of terminals not described in this section. Do not change setting status set at factory shipment.</i> 2. <i>Do not change the setting of terminals except following setting pins during the power is turned on.</i> <ul style="list-style-type: none"> • <i>Write protect: CN2 9-10</i> 3. <i>To short the setting terminal, use the short plug attached when the device is shipped from the factory.</i> 	5-5
	<p><i>Damage</i></p> <ol style="list-style-type: none"> 1. <i>Check that system power is off before connecting or disconnecting cables.</i> 2. <i>Do not connect or disconnect cables when power is on.</i> 	5-11
	<p><i>Data loss</i></p> <p><i>When the SEND DIAGNOSTIC command terminates with the CHECK CONDITION status, the INIT must collect the error information using the REQUEST SENSE command. The RECEIVE DIAGNOSTIC RESULTS command cannot read out the error information detected in the self-diagnostics.</i></p>	6-4
	<p><i>Damage</i></p> <p><i>Do not open the DE in the field because it is completely sealed.</i></p>	6-5
	<p><i>Data loss</i></p> <p><i>Save data stored on the disk drive before requesting repair. Fujitsu does not assume responsibility if data is destroyed during servicing or repair.</i></p>	6-6

MANUAL ORGANIZATION

<p>PRODUCT MANUAL</p> <p>(This manual)</p>	<ol style="list-style-type: none">1. General Description2. Specifications3. Data Format4. Installation Requirements5. Installation6. Diagnostics and Maintenance
<p>SCSI Physical Interface Specifications</p>	<ol style="list-style-type: none">1. SCSI Bus2. SCSI Message3. SCSI Bus Error Recovery Processing
<p>SCSI Logical Interface Specifications</p>	<ol style="list-style-type: none">1. Command Processing2. Data Buffer Management3. Command Specification4. Sense Data and error Recovery Procedure5. Disk Medium Management
<p>Maintenance Manual</p>	<ol style="list-style-type: none">1. Specifications and Equipment Configuration2. Maintenance and Diagnostics3. Error Analysis4. Removal and Replacement Procedures5. Principle of Operation

This page is intentionally left blank.

CONTENTS

	page
CHAPTER 1 GENERAL DESCRIPTION	1-1
1.1 Standard Features	1-2
1.2 Hardware Structure	1-5
1.3 System Configuration	1-10
CHAPTER 2 SPECIFICATIONS.....	2-1
2.1 Hardware Specifications	2-1
2.1.1 Model name and part number	2-1
2.1.2 Function specifications	2-2
2.1.3 Environmental specifications.....	2-4
2.1.4 Error rate.....	2-5
2.1.5 Reliability	2-5
2.2 SCSI Function Specifications	2-7
CHAPTER 3 DATA FORMAT	3-1
3.1 Data Space	3-1
3.1.1 Cylinder configuration.....	3-1
3.1.2 Alternate spare area	3-5
3.1.3 Track format	3-6
3.1.4 Sector format	3-8
3.1.5 Format capacity	3-10
3.2 Logical Data Block Addressing.....	3-11
3.3 Defect Management.....	3-12
3.3.1 Defect list	3-12
3.3.2 Alternate block allocation.....	3-12
CHAPTER 4 INSTALLATION REQUIREMENTS	4-1
4.1 Mounting Requirements	4-1
4.1.1 External dimensions	4-1
4.1.2 Mounting.....	4-8
4.1.3 Notes on mounting	4-8
4.2 Power Supply Requirements	4-13

4.3	Connection Requirements	4-16
4.3.1	68 pin connector 16-bit model (LP/MP).....	4-16
4.3.2	SCA2 type SCSI model (LC/MC)	4-24
4.3.3	Cable connector requirements	4-28
4.3.4	External operator panel.....	4-29
CHAPTER 5 INSTALLATION.....		5-1
5.1	Notes on Handling Drives	5-1
5.2	Connections.....	5-3
5.3	Setting Terminals.....	5-5
5.3.1	SCSI ID setting.....	5-6
5.3.2	Each mode setting	5-7
5.3.3	Mode settings	5-9
5.4	Mounting Drives	5-10
5.4.1	Check before mounting	5-10
5.4.2	Mounting procedures.....	5-10
5.5	Connecting Cables.....	5-11
5.6	Confirming Operations after Installation and Preparation for use	5-12
5.6.1	Confirming initial operations.....	5-12
5.6.2	Checking SCSI connection.....	5-13
5.6.3	Formatting	5-16
5.6.4	Setting parameters	5-18
5.7	Dismounting Drives	5-22
CHAPTER 6 DIAGNOSTICS AND MAINTENANCE.....		6-1
6.1	Diagnostics	6-1
6.1.1	Self-diagnostics	6-1
6.1.2	Test programs.....	6-4
6.2	Maintenance Information	6-5
6.2.1	Maintenance requirements.....	6-5
6.2.2	Revision numbers.....	6-7
APPENDIX A LOCATIONS OF CONNECTORS AND SETTING TERMINALS		A-1
A.1	Locations of Connectors and Setting Terminals (LC/MC models: SCA2 type LVD 16-bit SCSI).....	A-2

A.2	Locations of Connectors and Setting Terminals (LP/MP models: 68 pin type LVD 16-bit SCSI).....	A-3
APPENDIX B SETTING TERMINALS.....		B-1
B.1	Setting Terminals.....	B-2
APPENDIX C CONNECTOR SIGNAL ALLOCATION		C-1
C.1	SCSI Connector Signal Allocation: SCA2 type LVD 16-bit SCSI.....	C-2
C.2	SCSI Connector Signal Allocation: 68 pin type LVD 16-bit SCSI	C-3
APPENDIX D MODEL NAMES AND PRODUCT NUMBERS		D-1
D.1	Model Names and Product Numbers	D-2
Index.....		IN-1

FIGURES

	page
1.1 MAF series LC/MC outer view	1-5
1.2 MAF series LP/MP outer view	1-6
1.3 MAE series LC outer view	1-6
1.4 MAE series LP outer view	1-7
1.5 MAG series LC/MC outer view	1-7
1.6 MAG series LP/MP outer view	1-7
1.7 Disk/head configuration	1-8
1.8 System configuration	1-10
3.1 Cylinder configuration	3-2
3.2 Spare area in cylinders	3-5
3.3 Alternate cylinder	3-5
3.4 Track format	3-6
3.5 Track skew/cylinder skew	3-7
3.6 Sector format	3-8
3.7 Alternate block allocation by FORMAT UNIT command	3-14
3.8 Alternate block allocation by REASSIGN BLOCKS command	3-15
4.1 External dimensions (MAF series LC/MC)	4-2
4.2 External dimensions (MAF series LP/MP)	4-3
4.3 External dimensions (MAE series LC)	4-4
4.4 External dimensions (MAE series LP)	4-5
4.5 External dimensions (MAG series LC/MC)	4-6
4.6 External dimensions (MAG series LP/MP)	4-7
4.7 IDD directions	4-8
4.8 Mounting frame structure	4-9
4.9 Limitation of side-mounting	4-9
4.10 Surface temperature measurement points (MAF series, MAE series, MAG series)	4-10
4.11 Service clearance area	4-11
4.12 Air pressure adjustment hole	4-12
4.13 Current waveform (+12 VDC)	4-13
4.14 Power on/off sequence (1)	4-14
4.15 Power on/off sequence (2)	4-14
4.16 Power on/off sequence (3)	4-14

4.17	AC noise filter (recommended)	4-15
4.18	Connectors and terminals location (LP/MP).....	4-16
4.19	16-bit SCSI interface connector.....	4-17
4.20	Power supply connector (16-bit SCSI model)	4-17
4.21	External operator panel connector (CN1)	4-18
4.22	External operator panel connector (CN2)	4-19
4.23	16-bit SCSI ID external input.....	4-20
4.24	Output signal for external LED	4-21
4.25	SCSI cables connection	4-23
4.26	Connectors and terminals location of SCA2 type SCSI model.....	4-24
4.27	SCA2 type SCSI connector	4-25
4.28	External operator panel connector (CN2)	4-26
4.29	16-bit SCSI ID external input.....	4-27
4.30	External operator panel circuit example (LP/MP)	4-29
5.1	SCSI bus connections	5-3
5.2	IDD setting terminals position.....	5-5
5.3	Setting terminals (CN2).....	5-6
5.4	Checking the SCSI connection (A).....	5-14
5.5	Checking the SCSI connection (B).....	5-15
6.1	Revision label.....	6-7
6.2	Indicating revision numbers	6-8
A.1	Locations of connectors and setting terminals (LC/MC models: SCA2 type LVD 16-bit SCSI).....	A-2
A.2	Locations of connectors and setting terminals (LP/MP models: 68 pin type LVD 16-bit SCSI).....	A-3

TABLES

	page
2.1	Function specifications 2-2
2.2	Environmental/power requirements..... 2-4
2.3	SCSI function specifications..... 2-7
3.1	Zone layout and track capacity (MAE series)..... 3-3
3.2	Zone layout and track capacity (MAG series) 3-3
3.3	Zone layout and track capacity (MAF series)..... 3-3
3.4	Format capacity 3-10
4.1	Surface temperature check point..... 4-10
4.2	Recommended components for connection..... 4-28
5.1	SCSI ID setting (CN2)..... 5-7
5.2	Setting SCSI terminal power supply (LP/MP)..... 5-7
5.3	Motor start mode setting..... 5-8
5.4	Write protect setting (CN2) 5-8
5.5	Setting of the SCSI interface operation mode (CN2)..... 5-9
5.6	Setting of the bus width of the SCSI interface (CN2)..... 5-9
5.7	Default mode settings (by CHANGE DEFINITION command)..... 5-9
5.8	Setting check list 5-10
6.1	Self-diagnostic functions 6-1
B.1	Setting terminal: CN2..... B-2
C.1	SCSI connector (SCA2 type LVD 16-bit SCSI): CN1..... C-2
C.2	SCSI connector (68 pin type LVD 16-bit SCSI): CN1 C-3
D.1	MAE, MAF and MAG series model names and product numbers D-2

CHAPTER 1 GENERAL DESCRIPTION

- | |
|---|
| <ul style="list-style-type: none">1.1 Standard Features1.2 Hardware Structure1.3 System Configuration |
|---|

This chapter describes the feature and configuration of the intelligent disk drives (IDD).

IDDs are high performance large capacity 3.5-inch fixed disk drives with an embedded SCSI controller.

The interface between the IDD and host system is based on SCSI (Small Computer System Interface) standard [ANSI X3.131 - 1986: Small Computer System Interface (SCSI), ANSI X3.131-1994: Small Computer System Interface - 2 (SCSI-2)].

The flexibility and expandability of the SCSI, as well as the powerful command set of the IDD, allow the user to construct a high-performance reliable disk subsystem with large storage capacity.

1.1 Standard Features

(1) Compactness

Since the SCSI controller circuit is embedded in the standard 3.5-inch fixed disk drive form factor, the IDD is extremely compact. The IDD can be connected directly to the SCSI bus of the host system .

(2) SCSI/CCS standard

The IDD provides not only SCSI basic functions but also the following features:

- Arbitration
- Disconnection/reselection
- Data bus parity
- Command set which meets the logical specification of the SCSI CCS (Common Command Set for Direct Access Device) requirements (Rev. 4.B)

The SCSI commands can manipulate data through logical block addressing regardless of the physical characteristics of the disk drive. This allows software to accommodate future expansion of system functions.

(3) 8-bit SCSI/16-bit SCSI

The IDD has 16-bit data bus width (16-bit SCSI), which have the wide transfer function suitable for SCSI-2. This is also available as 8-bit data bus.

- 8-bit SCSI: Up to eight SCSI devices can be connected on the same SCSI bus.
- 16-bit SCSI: Up to 16 SCSI devices can be connected on the same SCSI bus.

For the ultra SCSI model, number of connectable SCSI devices on the same SCSI bus is varied as follows.

- Up to 4 SCSI devices having capacitance of 25 pF: Cable length of up to 3.0 m.
- 5 to 8 SCSI devices having capacitance of 25 pF: Cable length of up to 1.5 m

(4) High speed data transfer

- 8-bit SCSI: The data transfer rate on the SCSI bus is 40 MB/s maximum in synchronous mode.
- 16-bit SCSI: The data transfer rate on the SCSI bus is 80 MB/s maximum in synchronous mode for LC/LP models and 160 MB/s maximum in synchronous mode for MC/MP models.

Such a high data transfer rate on the SCSI bus can be useful with the large capacity buffer in the IDD.

Note:

The maximum data transfer rate in asynchronous mode may be limited by the response time of initiator and the length of SCSI bus length. The maximum data transfer rate in synchronous mode may be limited by the cable length, transmission characteristics of the SCSI bus and the connected SCSI device number.

(5) Continuous block processing

The addressing method of data blocks is logical block address. The initiator can access data by specifying block number in a logically continuous data space without concerning the physical structure of the track or cylinder boundaries.

The continuous processing up to [64K-1] blocks in a command can be achieved, and IDD can perform continuous read/write operation when processing data blocks on several tracks or cylinder.

(6) Programmable multi-segment data buffer

The data buffer is 2M bytes for LC/LP and 4M bytes for MC/MP. Data is transferred between SCSI bus and disk media through this data buffer. The data buffer is divided into 1 to 32 segments.

This feature provides the suitable usage environment for users.

Since the initiator can control the disconnect/reconnect timing on the SCSI bus by specifying the condition of stored data to the data buffer or empty condition of the data buffer, the initiator can perform the effective input/output operations with utilizing high data transfer capability of the SCSI bus regardless of actual data transfer rate of the disk drive.

(7) Read-ahead cache feature

After executing the READ command, the IDD reads automatically and stores (prefetches) the subsequent data blocks into the data buffer (Read-ahead caching).

The high speed sequential data access can be achieved by transferring the data from the data buffer without reaccessing the disk in case the subsequent command requests the prefetched data blocks.

(8) Command queuing feature

The IDD can queue maximum 128 commands, and optimizes the issuing order of queued commands by the reordering function. This feature realizes the high speed processing.

Recording algorithm is adopted to prevent a specific command from staying in a queue for more than 3 seconds.

(9) Reserve and release functions

The IDD can be accessed exclusively in the multi-host or multi-initiator environment by using the reserve and release functions.

(10) Error recovery

The IDD can try to recover from errors in SCSI bus or the disk drive using its powerful retry processing. If a recoverable data check occurs, error-free data can be transferred to the initiator after being corrected in the data buffer. The initiator software is released from the complicated error recover processing by these error recovery functions of the IDD.

(11) Automatic alternate block reassignment

If a defective data block is detected during read, the IDD can automatically reassign its alternate data block.

(12) Programmable data block length

Data can be accessed in fixed-block length units. The data block length is programmable, and can at initializing with a multiple of two for LC/LP and four for MC/MP within the range of 512 to 528 bytes.

(13) Defective block slipping

A logical data block can be reallocated in a physical sequence by slipping the defective data block at formatting. This results in high speed contiguous data block processing without a revolution delay due to defective data block.

(14) High speed positioning

A rotary voice coil motor achieves fast positioning.

(15) Large capacity

A large capacity can be obtained from 3.5-inch disk drives by dividing all cylinders into several partitions and changing the recording density on each partition (constant density recording). The disk subsystem with large capacity can be constructed in the good space efficiency.

(16) Start/Stop of spindle motor

Using the SCSI command, the host system can start and stop the spindle motor.

(17) Diagnosis

The IDD has a diagnostic capability which checks internal controller functions and drive operations to facilitate testing and repair.

(18) Low power consumption

By using highly integrated LSI components, the power consumption of the IDD is very low, and this enables the unit to be used in wide range of environmental conditions.

(19) Low noise and low vibration

The noise level is low; approx. 4.2 bels for MAF series and 4.0 bels for MAE and MAG series. This makes it ideal for office use. The IDD has rubber vibration isolators, which minimize the transfer of vibration.

(20) Microcode downloading

The IDD implements the microcode download feature. This feature achieves easy maintainability of the IDD and function enhancing.

1.2 Hardware Structure

An outer view of the IDD is given in Figures 1.1 to 1.6. The IDD is composed of the disk, head, spindle motor, hermetically sealed disk enclosure (DE) with actuator and air circulation filter, as well as read/write pre-amp with the print card unit (PCA) of the controller.

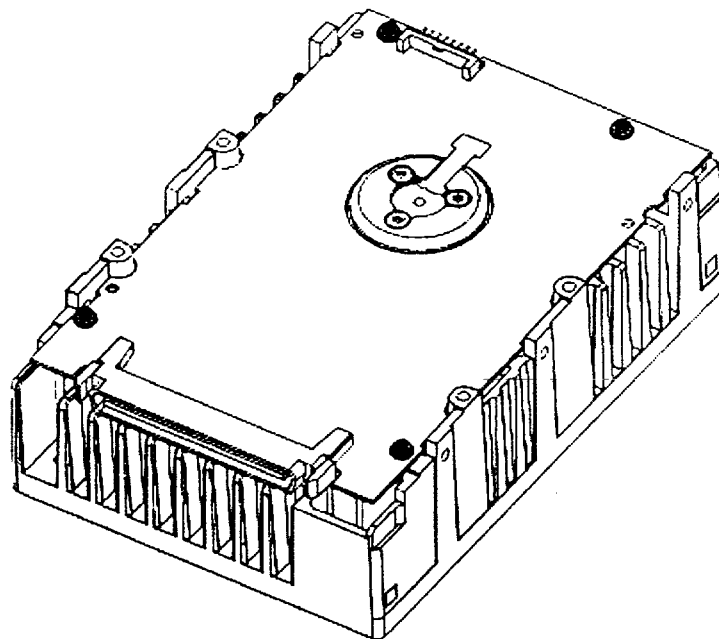


Figure 1.1 MAF series LC/MC outer view

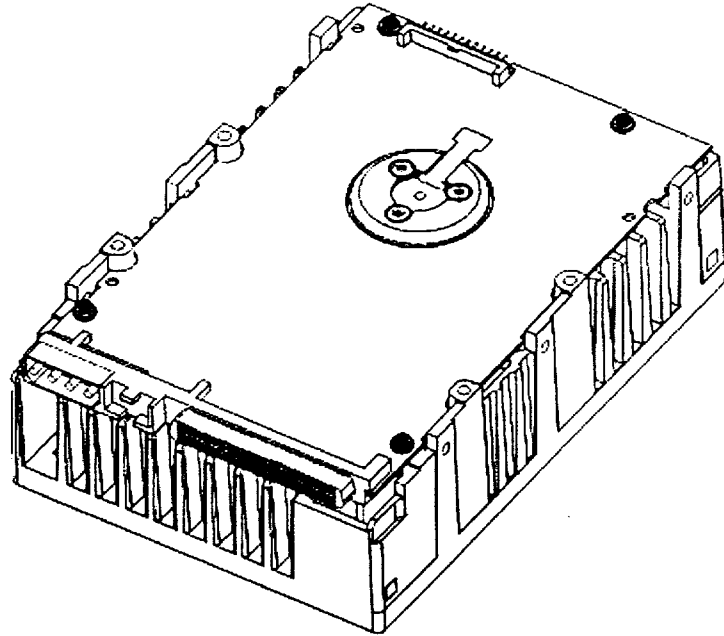


Figure 1.2 MAF series LP/MP outer view

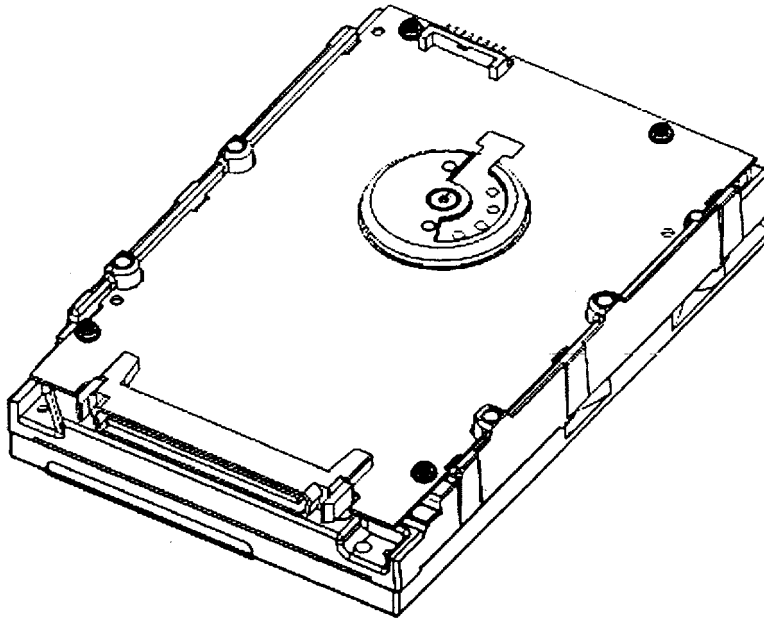


Figure 1.3 MAE series LC outer view

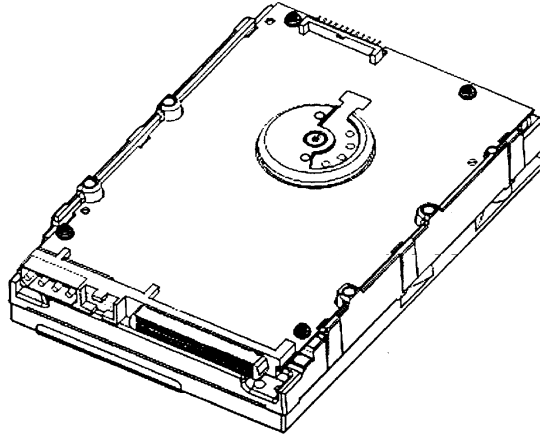


Figure 1.4 MAE series LP outer view

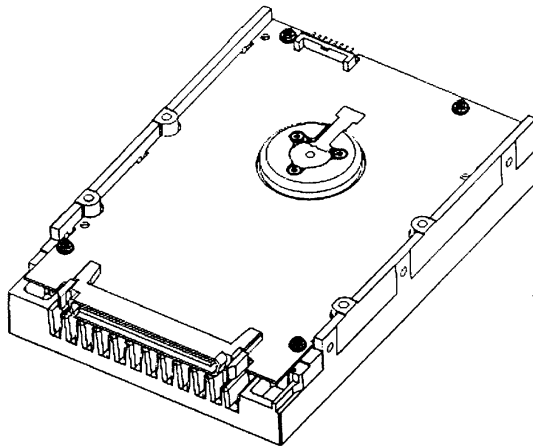


Figure 1.5 MAG series LC/MC outer view

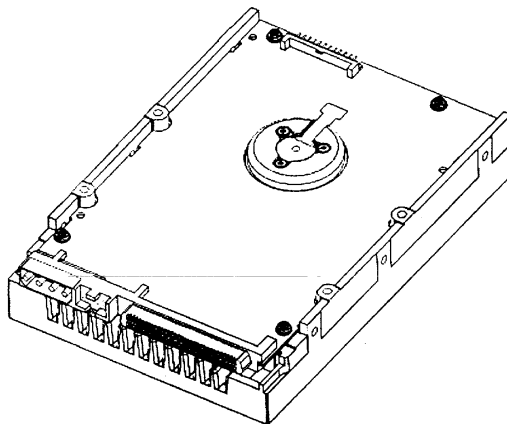


Figure 1.6 MAG series LP/MP outer view

(1) Disks

The disks have an outer diameter of 95 mm (3.74 inch) and inner diameter of 25 mm (0.98 inch) for MAE series, and 84 mm (3.3 inch) outer diameter and 25 mm (0.98 inch) inner diameter for MAF/MAG series. The disks are good for at least 15,000 contact starts and stops. Each model contains following number of disks.

MAF3364: 10
MAE3182: 4
MAE3091: 2
MAG3182: 5
MAG3091: 3

(2) Heads

The MR (Magnet - Resistive) of the CSS (contact start/stop) type heads are in contact with the disks when the disks are not rotating, and automatically float when the rotation is started. Figure 1.7 shows the configuration of disks and heads

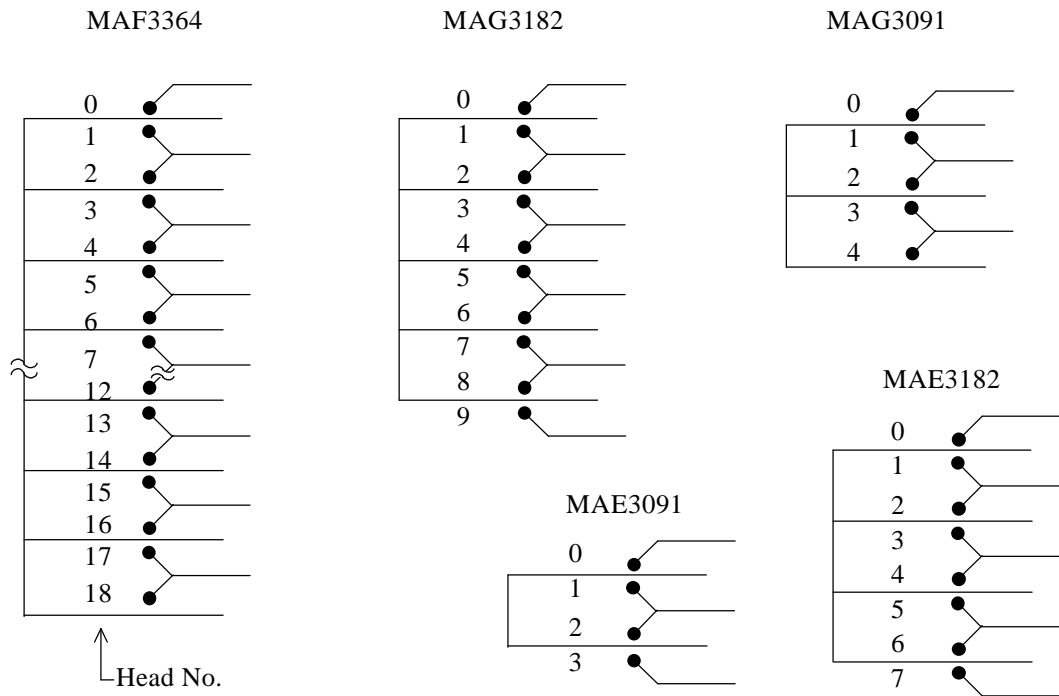


Figure 1.7 Disk/head configuration

(3) Spindle motor

The disks are rotated by a direct-drive hall-less DC motor. The motor speed is controlled by a feedback circuit using the counter electromotive current to precisely maintain the speed at $\pm 0.5\%$ of the specified speed.

(4) Actuator

The actuator, which uses a rotary voice coil motor (VCM), consumes little power and generates little heat. The head assembly at the end of the actuator arm is controlled and positioned via feedback of servo information in the data.

The actuator positions heads on the CCS zone over the disk and is locked by the mechanical lock when the power is off or the spindle motor is stopped.

(5) Air circulation (recirculation filter, breather filter)

The heads, disks, and actuator are hermetically sealed inside a disk enclosure (DE) to keep out dust and other pollutants. The DE has a closed-loop air recirculation system. Using the movement of the rotating disks, air is continuously cycled through a filter. This filter will trap any dust generated inside the enclosure and keep the air inside the DE contaminant free. To prevent negative pressure in the vicinity of the spindle when the disks begin rotating, a breather filter is attached. The breather filter also equalizes the internal air pressure with the atmospheric pressure due to surrounding temperature changes.

(6) Read/write circuit

The read/write circuit utilizes a read channel mounted with a head IC that supports high-speed transmission and an EPR4ML (Extended Partial Response Class 4 Maximum Likelihood) modulation/demodulation circuit in order to prevent errors being triggered by external noise and to improve data reliability.

(7) Controller circuit

The controller circuit uses LSIs to increase the reliability and uses a high speed microprocessing unit (MPU) to increase the performance of the SCSI controller.

1.3 System Configuration

Figure 1.8 shows the system configuration. The IDD's are connected to the SCSI bus of host systems and are always operated as target. The IDD's perform input/output operation as specified by SCSI devices which operate as initiator.

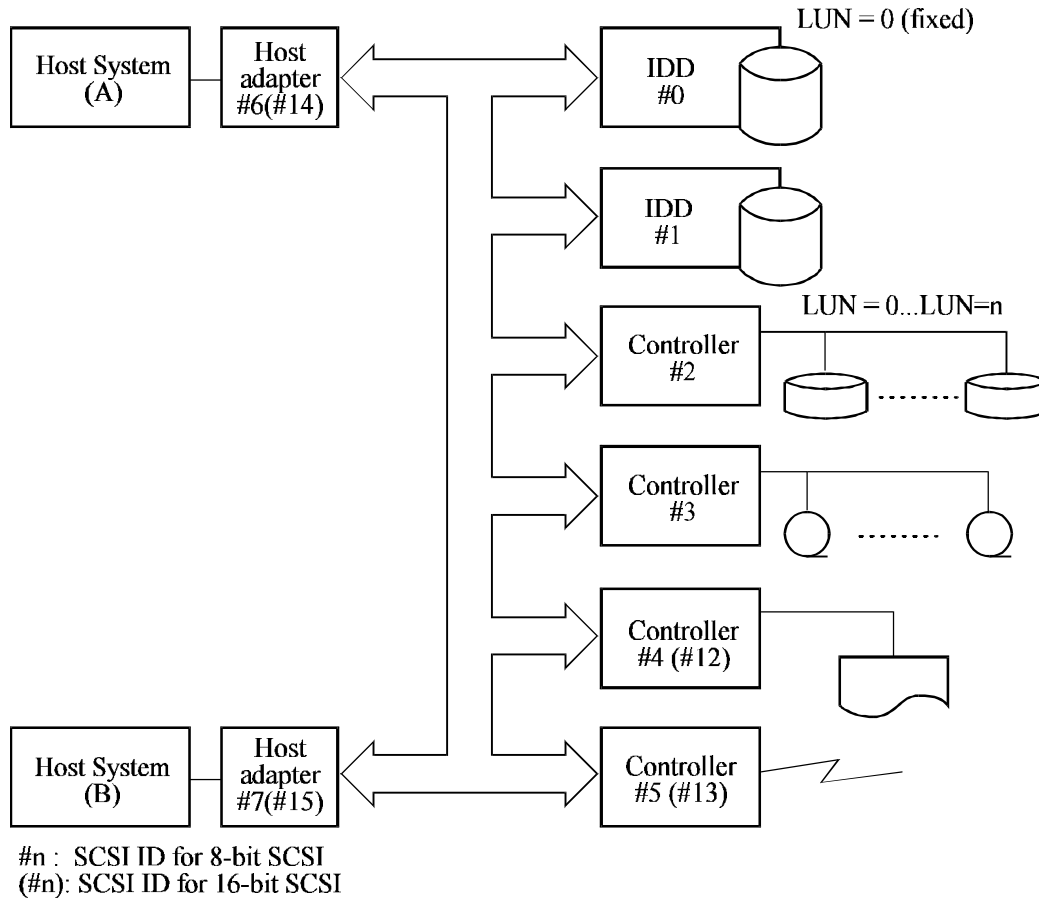


Figure 1.8 System configuration

(1) SCSI bus configuration

Up to eight SCSI devices operating as an initiator or a target can be connected to the SCSI bus for the 8-bit SCSI and up to 16 SCSI devices operating as an initiator or a target can be connected to the SCSI bus for the 16-bit SCSI in any combination.

For example, the system can be configured as multi-host system on which multiple host computers that operate as initiator or connected through the SCSI bus.

Using disconnect/reconnect function, concurrent input/output processing is possible on multi-SCSI devices.

(2) Addressing of peripheral device

Each SCSI device on the bus has its own unique address (SCSI ID:#n in Figure 1.6). For input/output operation, a peripheral device attached to the SCSI bus that operates as target is addressed in unit called as logical unit. A unique address (LUN: logical unit number) is assigned for each logical unit.

The initiator selects one SCSI device by specifying that SCSI ID, then specifies the LUN to select the peripheral device for input/output operation.

The IDD is constructed so that the whole volume of disk drive is a single logical unit, the selectable number of SCSI ID and LUN are as follows:

- SCSI ID: 8-bit SCSI:Selectable from 0 to 7 (switch selectable)
16-bit SCSI:Selectable from 0 to 15 (switch selectable)
- LUN: 0 (fixed)

This page is intentionally left blank.

CHAPTER 2 SPECIFICATIONS

2.1 Hardware Specifications

2.2 SCSI Function Specifications

This chapter describes specifications of the IDD and the functional specifications of the SCSI.

2.1 Hardware Specifications

2.1.1 Model name and part number

Each model has a different data format and front panel type when shipped. (See Appendix D for the model name (type) and product number.)

The data format can be changed by reinitializing with the user's system.

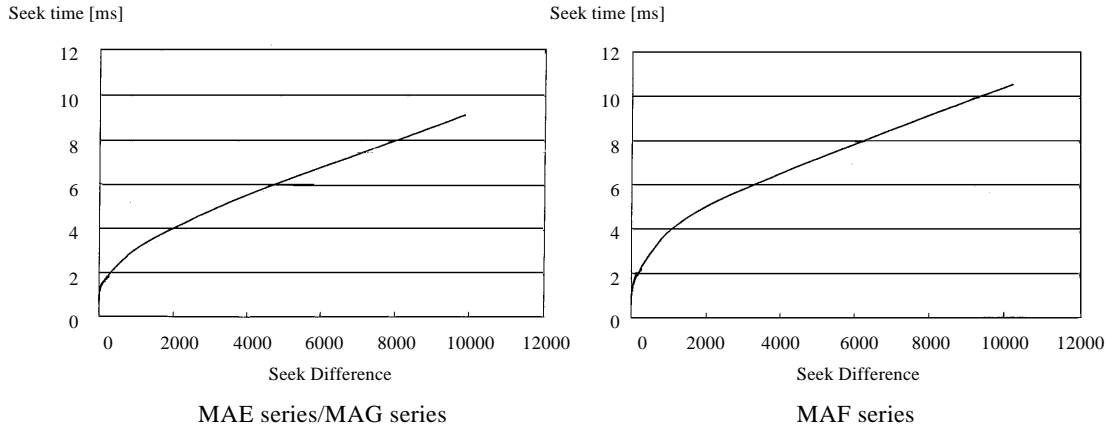
2.1.2 Function specifications

Table 2.1 shows the function specifications of the IDD.

Table 2.1 Function specifications

Item		Specification				
		MAE3182 series	MAE3091 series	MAF3364 series	MAG3182 series	MAG3091 series
Formatted capacity/device (*1)		18.2 GB	9.1 GB	36.4 GB	18.2 GB	9.1 GB
Unformatted capacity/device		23.1 GB	11.5 GB	45.6 GB	23.0 GB	11.5 GB
Number of disks		4	2	10	5	3
Number of heads		8	4	19	10	5
Number of cylinders (*2)		12,000		10,200	9,866	
Formatted capacity/track (B)		143,360 to 217,600		143,872 to 215,040	139,776 to 215,040	
Number of rotations (rpm)		7,200±0.5%		10,025±0.5%		
Average latency time		4.167 msec		2.993 msec		
Seek time (*3) (Read/Write)	Minimum	0.7 ms (Read)/ 1.1 ms (Write)		0.7 ms (Read)/ 0.9 ms (Write)	0.7 ms (Read)/ 1.1 ms (Write)	
	Average	7.0 ms (Read)/ 7.5 ms (Write)		5.5 ms (Read)/ 6.0 ms (Write)	5.2 ms (Read)/ 5.8 ms (Write)	
	Maximum	12.4 ms (Read)/ 13.5 ms (Write)		12.0 ms (Read)/ 13.0 ms (Write)	11.0 ms (Read)/ 12.0 ms (Write)	
Start/stop time (*4)	Start time	30 s typ. (60 s max.) 30 s typ.				
	Stop time					
Recording mode		EPR4ML				
Recording density (max)		270 kbp		275 kbp		
Track density		13,250 TPI		13,500 TPI		
External dimensions	Height	25.4 mm		41.3 mm	25.4 mm	
	Width	101.6 mm		101.6 mm	101.6 mm	
	Depth	146.0 mm		146.0 mm	146.0 mm	
Weight		0.6 kg		1.1 kg	0.7 kg	
Power consumption (*5)		8 W	6 W	15 W	11 W	9 W
Interface	Fast SCSI (Single-Ended)	Cable length: 6 m max				
	Fast 20 SCSI (Single-Ended)	Cable length: 3 m max (*6) Cable length: 1.5 m max (*7)				
	Fast 80 SCSI (LVD)	Cable length: 25 m max (*8) Cable length: 12 m max (*9)				
Data transfer rate (*10)	Disk drive	21.7 to 32.79 MB/s		30.31 to 44.68 MB/s	29.45 to 44.68 MB/s	
	SCSI Synchronous mode	80 MB/s max. (LC/LP models)		80 MB/s max. (LC/LP models) 160 MB/s max. (MC/MP models)		
Logical data block length (*1)		512 to 528 byte (Fixed length)				
SCSI command specification		ANSI X3.13-1986 and CCS (Rev. 4B) conformity (SCSI-2 ANSI X3T9.2/86-109 Rev. 10h) command support SCSI-3 command partial support				
Data buffer		2 MB FIFO ring buffer (LC/LP models), 4 MB FIFO ring buffer (MC/MP models), multi-segment buffer: Segment count 1 to 32, Read-ahead cache				

- (*1) The formatted capacity can be changed by changing the logical block length and using spare sector space. See Chapter 3 for the further information.
- (*2) The number of user cylinders indicates the max., and includes the alternate cylinder. The number of user cylinders and alternate cylinders can be specified at format of the IDD.
- (*3) The positioning time is as follows:



- (*4) The start time is the time from power on or start command to when the IDD is ready, and stop time is the time for disks to completely stop from power off or stop command.
- (*5) This value indicates at ready mode.
- (*6) Up to 4 SCSI devices having capacitance of 25pF or less can use cable length of up to 3.0 m.
- (*7) 5 to 8 SCSI devices having capacitance of 25pF or less can use cable length of up to 1.5 m.
- (*8) 1 on 1 connection case.
- (*9) 1 host, 15 devices case.
- (*10) The maximum data transfer rate may be restricted to the response speed of initiator and by transmission characteristics.
- (*11) The terminator power pin (SCSI connector) which supplies power to other terminators is not used.

2.1.3 Environmental specifications

Table 2.2 lists environmental and power requirements.

Table 2.2 Environmental/power requirements

		MAE3182 series	MAE3091 series	MAF3364 series	MAG3182 series	MAG3091 series
Temperature (*1)	Operating	5 to 50°C				
	Non-operating	-40 to 60°C				
	DE surface temperature atoperating	5 to 55°C				
	Gradient	15°C/h or less				
Relative humidity	Operating	20 to 80%RH				
	Non operating	20 to 80%RH Packaged (inside of a week) 5 to 90%RH				
	Maximum wet bulb temperature	29°C (no condensation)				
Vibration (*2)	Operating (*3)	0.3 mm (5 to 20Hz)/0.5G (20 to 250 Hz) or less				
	Non-operating (*4)	3.1 mm (5 to 20Hz)/5G (20 to 250Hz) or less Packaged 3.1 mm (5 to 20Hz)/5G (20 to 250Hz) or less				
Shock (*2)	Operating	20G (2 ms)				
	Non-operating	175G (2 ms)				
Altitude (above sea level)	Operating	-60 m to 3,000 m				
	Non-operating	-60 m to 12,000 m				
Power requirements Input power (*5)	+12 VDC ±5%	Ready (Average)	0.4 A	0.25 A	0.9 A	0.65 A
		Peak within 100 µs at spin-up	3.0 A		3.2 A	3.0 A
		Random W/R (about 80 IOPS)	0.8 A	0.7 A	1.3 A	1.0 A
	+5 VDC ±5% (*6)	Ready	0.6 A		0.8 A	0.7 A
		Random W/R (about 80 IOPS)	6.8 A		1.0 A	0.9 A
	Ripple (*7)	+5 V 250 mVp-p, +12 V 250 mVp-p				

(*1) For detail condition, see Section 4.1.

(*2) Vibration applied to the drive is measured at near the mounting screw hole on the frame as much as possible.

(*3) At random seek write/read and default on retry setting with log sweep vibration.

(*4) At power-off state after installation
Vibration displacement should be less than 2.5 mm.

(*5) Input voltages are specified at the connector.

(*6) The terminator power pin (SCSI connector) which supplies power to other terminators is not used (See Section 4.3).

(*7) High frequency noise is less than 100 mVp-p.

2.1.4 Error rate

Errors detected during initialization and replaced by alternate block assignments are not included in the error rate. Data blocks to be accessed should be distributed over the disk medium equally.

(1) Unrecoverable error rate

Errors which cannot be recovered within 63 retries and ECC correction should not exceed 10 per 10^{15} bits.

(2) Positioning error rate

Positioning errors which can be recovered by one retry should be 10 or less per 10^8 seeks.

2.1.5 Reliability

(1) Mean Time Between Failures (MTBF)

MTBF of the IDD during its life time is 1,000,000 hours (operating: 24 hours/day, 7 days/week average DE surface temperature: 40°C or less).

Note:

The MTBF is defined as:

$$\text{MTBF} = \frac{\text{Operating time (hours) at all field sites}}{\text{The number of equipment failures from all field sites}}$$

Failure of the equipment means failure that requires repair, adjustments, or replacement. Mishandling by the operator, failures due to bad environmental conditions, power trouble, host system trouble, cable failures, or other failures not caused by the equipment are not considered.

(2) Mean Time To Repair (MTTR)

MTTR is the average time taken by a well-trained service mechanic to diagnose and repair a drive malfunction. The drive is designed for a MTTR of 30 minutes or less.

(3) Service life

The service life under suitable conditions and treatment is as follows.

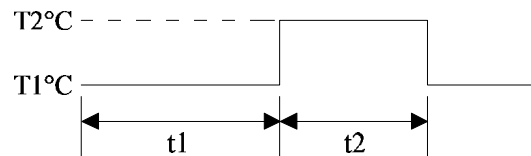
The service life is depending on the environment temperature. Therefore, the user must design the system cabinet so that the average DE surface temperature is as possible as low.

- DE surface temperature: 40°C or less 5 years
- DE surface temperature: 45°C or less 4.5 years
- DE surface temperature: 46°C to 50°C 4 years
- DE surface temperature: 51°C to 55°C 3.5 years
- DE surface temperature: 56°C and more strengthen cooling power so that DE surface temperature is 55°C or less.

Even if the IDD is used intermittently, the longest service life is 5 years.

Note:

The "average DE surface temperature" means the average temperature at the DE surface throughout the year when the IDD is operating.



$$\text{Average DE surface temperature} = \frac{T1 \times t1 + T2 \times t2}{t1 + t2}$$

(4) Data security at power failure

Integrity of the data on the disk is guaranteed against all forms of DC power failure except on blocks where a write operation is being performed. The above does not apply to formatting disks or assigning alternate blocks.

2.2 SCSI Function Specifications

Table 2.3 shows the SCSI functions provided with the IDD.

Table 2.3 SCSI function specifications

Item		Specification	
Electrical requirements (*1)	Single-ended type	O	
	HVD type (High Voltage Differential)	×	
	LVD type (Low Voltage Differential)	O	
	Single-ended type	Position where the terminating resistor is mounted on the PCA	×
	Differential type	Position where the terminating resistor is mounted on the PCA	×
	TERMPWR signal send function		O
Connector	68 pin P cable connector	O	
	80 pin SCA2 connector	O	
Data bus parity (*2)		O	
Bus arbitration function		O	
Disconnection/reconnection function		O	
Addressing	SCSI ID 16-bit SCSI	#0 to #15 (Jumper selection)	
	LUN (logical unit number)		#0 fixed
Data transfer (Synchronous mode)	8-bit SCSI (Single-Ended type) (LVD type) 16-bit SCSI (Single-Ended type) (LVD type) (160/m LVD type)	O 20 MB/s max. O 40 MB/s max. O 40 MB/s max. O 80 MB/s max. O 160 MB/s max.	
Data buffer	2 MB (LC/LP) or 4 MB (MC/MP) programmable multi-segment buffer (1 to 32)		
Data block length (Logical data length=Physical data length) (*3)	512 to 528 bytes (Fixed length)		

O : Provided × : Not provided

(*1) Single-Ended and LVD detect the driver mode by Diffrence signal and automatically change.

(*2) Data bus CRC on MC/MP models.

(*3) Refer to (12) of Section 1.1.

This page is intentionally left blank.

CHAPTER 3 DATA FORMAT

3.1 Data Space

3.2 Logical Data Block Addressing

3.3 Defect Management

This chapter explains data space definition, logical data block addressing, and defect management on the IDD.

3.1 Data Space

The IDD manages the entire data storage area divided into the following three data spaces.

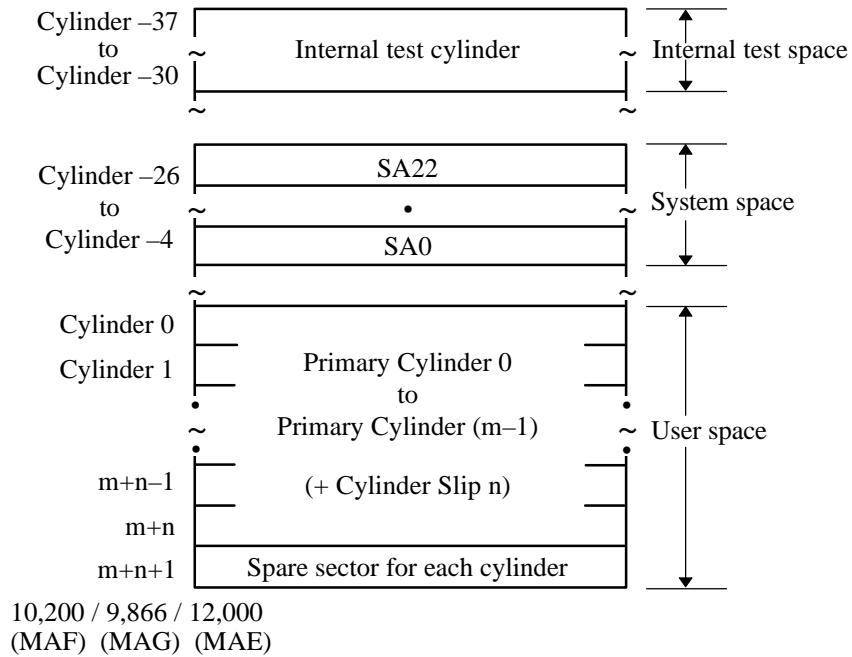
- User space: Storage area for user data
- Internal test space: Reserved area for diagnostic purposes
- System space: Area for exclusive use of IDD itself

The user space allow a user access by specifying data. These space can be accessed with the logical data block addressing method described in Section 3.2. The internal test space is used by Read/write test of self-diagnostics test, but user can't use direct access. The system space is accessed inside the IDD at power-on or during the execution of a specific command, but the user cannot directly access the system space.

3.1.1 Cylinder configuration

The IDD allocates cylinders to the user space, Internal test space, and system space. Figure 3.1 is the cylinder configuration.

Spare areas (alternate areas) for defective sectors are provided in the user space. Several sectors in the last track of one cylinder and several cylinders (alternate cylinders) in the user space are allocated as alternate areas according to the user's assignment (MODE SELECT command). See Subsection 3.1.2 for details.



* Spare sectors on the last track in each cylinder are not necessarily placed at the end of the track because of a track skew or a cylinder skew. (Details are explained in Subsection 3.1.3.)

Figure 3.1 Cylinder configuration

Apart from the above logical configuration, the IDD intends to increase the storage capacity by dividing all cylinders into several zones and changing a recording density of each zone. Tables 3.1 and 3.3 show the zone layout and the track capacity.

Table 3.1 Zone layout and track capacity (MAE series)

Zone	0	1	2	3	4	5	6
Cylinder	0 to 1,699	1,700 to 3,599	3,600 to 4,549	4,550 to 4,909	4,910 to 5,799	5,800 to 6,419	6,420 to 6,789
Byte/track	217,600	217,600	211,968	208,896	202,752	196,608	193,536
Sector/track	425	425	414	408	396	384	378

Zone	7	8	9	10	11	12	13
Cylinder	6,790 to 8,089	8,090 to 8,889	8,890 to 9,249	9,250 to 9,929	9,930 to 10,509	10,510 to 11,879	11,880 to 11,999
Byte/track	184,320	175,104	172,032	165,888	159,744	147,456	143,360
Sector/track	360	342	336	324	312	288	280

Table 3.2 Zone layout and track capacity (MAG series)

Zone	0	1	2	3	4	5	6
Cylinder	0 to 679	680 to 1,559	1,560 to 2,409	2,410 to 3,139	3,140 to 3,469	3,470 to 4,119	4,120 to 4,659
Byte/track	215,040	215,040	215,040	207,360	204,800	199,680	194,560
Sector/track	420	420	420	405	400	390	380

Zone	7	8	9	10	11	12	13
Cylinder	4,660 to 4,939	4,940 to 5,989	5,990 to 6,919	6,920 to 7,499	7,500 to 7,979	7,980 to 9,149	9,150 to 9,865
Byte/track	192,000	184,320	174,080	168,960	163,840	153,600	139,776
Sector/track	375	360	340	330	320	300	273

Table 3.3 Zone layout and track capacity (MAF series)

Zone	0	1	2	3	4	5	6
Cylinder	0 to 899	900 to 1,999	2,000 to 3,019	3,020 to 3,729	3,730 to 4,029	4,030 to 4,669	4,670 to 5,189
Byte/track	215,040	215,040	215,040	207,360	204,800	199,680	194,560
Sector/track	420	420	420	405	400	390	380

Zone	7	8	9	10	11	12	13
Cylinder	5,190 to 5,459	5,460 to 6,459	6,460 to 7,369	7,370 to 7,929	7,930 to 8,399	8,400 to 9,519	9,520 to 10,199
Byte/track	192,000	184,320	174,080	168,960	163,840	153,600	143,872
Sector/track	375	360	340	330	320	300	281

(1) User space

The user space is a storage area for user data. The data format on the user space (the length of data block and the number of data blocks) can be specified with the MODE SELECT or MODE SELECT EXTENDED command.

The default number of cylinders in the user space is 10,200 for MAF series, 12,000 for MAE series and 9,866 for MAG series. The user, however, can select the number of cylinders to be allocated in the user space by specifying 10,200 for MAF series, 9,866 for MAG series and 12,000 for MAE series as the maximum and the number of alternate cylinders + 1 as the minimum. The user can also specify the number of logical data blocks to be placed in the user space with the MODE SELECT or MODE SELECT EXTENDED command. When the number of logical data blocks is specified, as many cylinders as required to place the specified data blocks are allocated in the user space.

A number starting with 0 is assigned to each cylinder required in the user space in ascending order. If the number does not reach 10,200 (MAF series) and 12,000 (MAE series) and 9,866 (MAG series) the rest of the cylinders will not be used.

Always one alternate cylinders can be established in the user space. Alternate cylinders will be used for alternate blocks when primary cylinders in the user space are used up. See Subsections 3.1.2 and 3.3.2 for details.

(2) Internal test space

The Internal test space is an area for diagnostic purposes only and its data block length is always 512KByte. The Internal test space consists of only 1 cylinder and outer-host cylinder is always assigned. The user cannot change the number of cylinders in the Internal test space or their positions.

(3) System space

The system space is an area for exclusive use of the IDD itself and the following information are recorded. The length of the data block is always 512 bytes.

- Defect list (P list and G list)
- MODE SELECT parameter (saved value)
- Statistical information (log data)
- Controller control information

The above information are duplicated in several different locations for safety.

Note:

The system space is also called SA space.

3.1.2 Alternate spare area

The alternate spare area is provided in the last track of each primary cylinder in the user space, and in the last track of the cylinder and the alternate cylinder.

The spare area in each cylinder is placed at the end of the last track as shown in Figure 3.2. These spare sectors are located in the end of the track logically, not necessarily located at the end physically because of track skew or cylinder skew. (Details are explained on Subsection 3.1.3.)

Size can be specified by the MODE SELECT command.

The number of spare sectors per cylinder can be specified exceeding 32. The default value of number of 9 spare sectors per cylinder is 20.

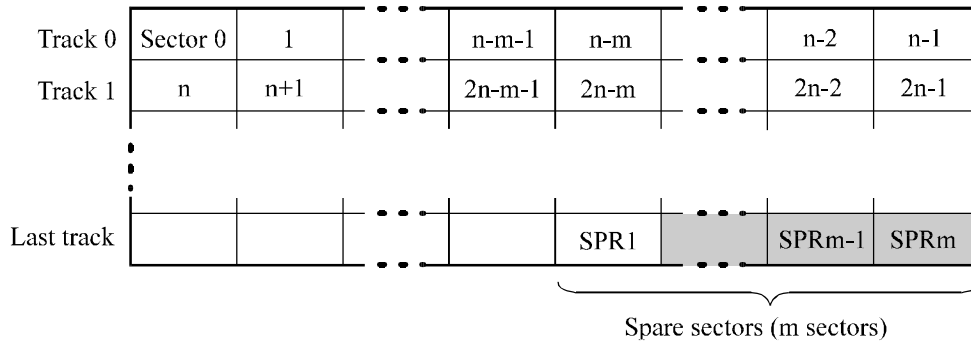


Figure 3.2 Spare area in cylinders

An alternate cylinder is used when spare sectors in a cylinder are used up or 0 is specified as the number of spare sectors in a cylinder. Several cylinders at the end of the user space are allocated as alternate cylinders as shown in Figure 3.3.

The number of alternate cylinder is 1.

The user space and the CE space share the alternate cylinders.

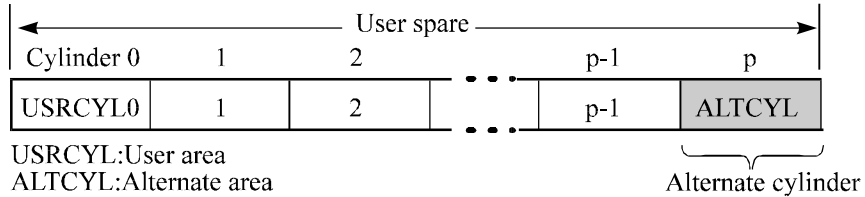


Figure 3.3 Alternate cylinder

Note:

Zero cannot be specified for both the number of spare sectors in each cylinder and the number of alternate cylinders.

3.1.3 Track format

(1) Physical sector allocation

Figure 3.4 shows the allocation of the physical sectors in a track. The length in bytes of each physical sector and the number of sectors per track vary depending on the logical data block length. The unused area (G4) exists at the end of the track in formats with most logical data block lengths.

The interval of the sector pulse (length of the physical sector) is decided by multiple of 20MHz free running frequency. This clock is not equal to the interval of the byte clock for each zone. Therefore, the physical sector length cannot be described with a byte length.

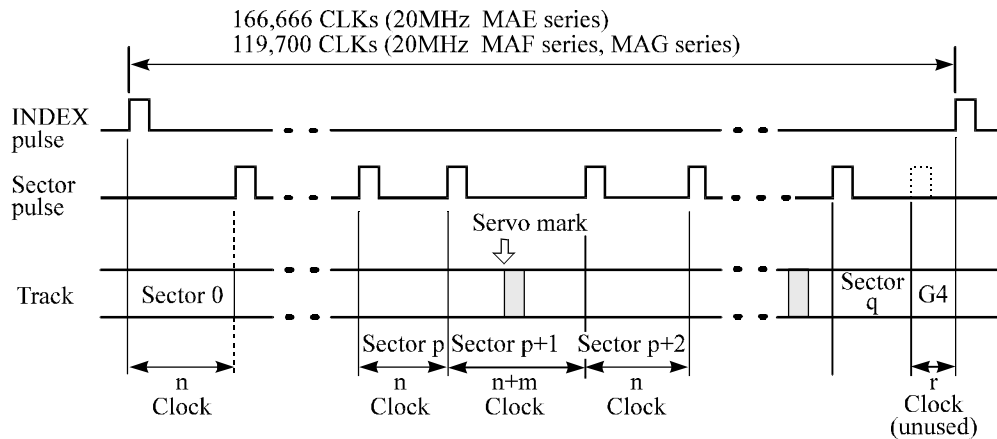


Figure 3.4 Track format

(2) Track skew and cylinder skew

To avoid waiting for one turn involved in head and cylinder switching, the first logical data block in each track is shifted by the number of sectors (track skew and cylinder skew) corresponding to the switching time. Figure 3.5 shows how the data block is allocated in each track.

At the head switching location in a cylinder, the first logical data block in track $t + 1$ is allocated at the sector position which locates the track skew behind the sector position of the last logical data block sector in track t .

At the cylinder switching location, like the head switching location, the first logical data block in a cylinder is allocated at the sector position which locates the cylinder skew behind the last logical sector position in the preceding cylinder. The last logical sector in the cylinder is allocated when formatting, and is an unused spare sector.

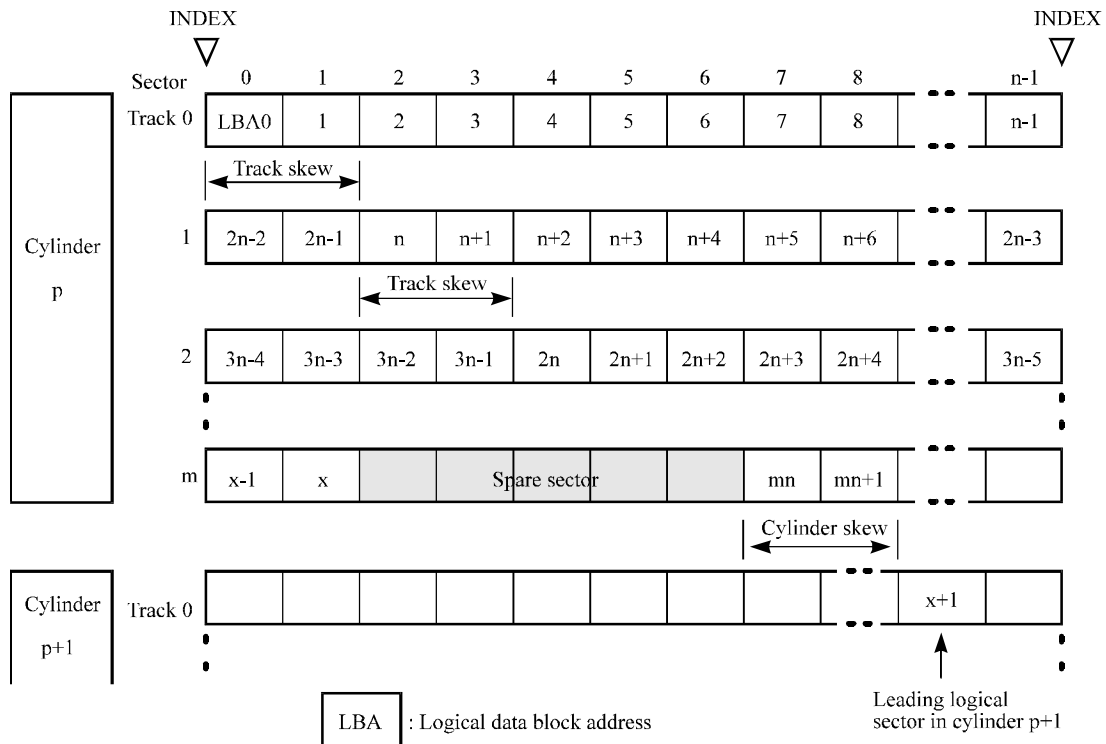


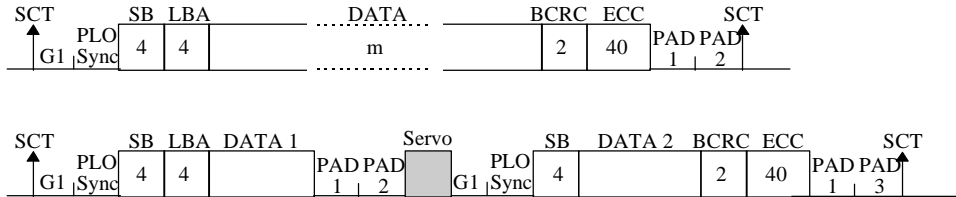
Figure 3.5 Track skew/cylinder skew

The number of physical sectors (track skew factor and cylinder skew factor) corresponding to the skew time varies depending on the logical data block length because the track skew and the cylinder skew are managed for individual sectors. The IDD automatically determines appropriate values for the track skew factor and the cylinder skew factor according to the specified logical data block length. The value can be read out by the MODE SENSE or MODE SENSE EXTENDED command after the track has been formatted.

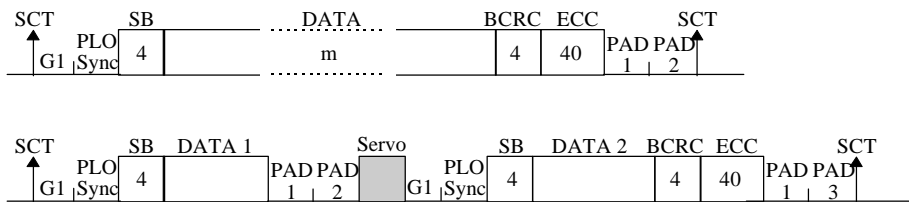
3.1.4 Sector format

Each sector on the track consists of an ID field, a data field, and a gap field which separates them. Figure 3.6 gives sector format examples.

LC/LP models



MC/MP models



	MAE series	MAF/MAG series
G1	4 bytes	4 bytes
PLO Sync	23 bytes	24 bytes
PAD 1	10 bytes	10 bytes
PAD 2	7 bytes	8 bytes
PAD 3	5 bytes	5 bytes

Figure 3.6 Sector format

Each sector on the track consists of the following fields:

- (1) Gaps (G1)

The gap length at the time of formatting (initializing) is listed in Figure 3.6. Pattern X'00' is written on the gap field.

- (2) PLO Sync

In this field, pattern X'00' in the length in bytes listed in Figure 3.6 is written.

- (3) Sync Byte (SB)

In this field, special pattern in the length in bytes listed in Figure 3.6 is written.

(4) LBA

The logical block address is written in this field, but it is not written with MP/MC models because it is appended to BCRC field information.

(5) Data field

User data is stored in the data field of the sector. The length of the data field is equal to that of the logical data block which is specified with a parameter in the MODE SELECT command. Any even number between 512 and 528 bytes can be specified as the length.

(6) BCRC

It is a 2-byte error detection code. Errors in the ID field. Single burst errors with lengths of up to 16 bits for each logical block can be detected.

The 4-byte error detection code appended the LBA field information is used with the MC/MP models.

(7) ECC

40-byte data error detection/correction code for the data field. It is possible to on-the-fly correct the single burst errors with lengths of up to 160 bits.

(8) PAD 1

A specified length of x'00' pattern shown in Figure 3.6 is written in this field. This field includes the variation by rotation and circuit delay till reading/writing.

(9) PAD 2/PAD 3

A specified length of x'00' pattern shown in Figure 3.6 is written in this field. This field contains the processing time necessary to process next sector continuously. This field have rotational speed variation.

3.1.5 Format capacity

The size of the usable area for storing user data on the IDD (format capacity) varies according to the logical data block or the size of the spare sector area. Table 3.4 lists examples of the format capacity when the typical logical data block length and the default spare area are used. The following is the general formula to calculate the format capacity.

[Number of sectors of each zone] = [number of sectors per track × number of tracks (heads) – number of alternate spare sectors per cylinder] × [number of cylinders in the zone]

[Formatted capacity] = [total of sectors of all zones] – [number of sectors per track in last zone × number of tracks (heads) × number of alternate cylinders] ÷ [number of physical sectors in logical block] × [logical data block length]

The following formula must be used when the number of logical data blocks are specified with the parameter in the MODE SELECT or MODE SELECT EXTENDED command.

[Format capacity] = [logical data block length] × [number of logical data blocks]

The logical data block length, the maximum logical block address, and the number of the logical data blocks can be read out by a READ CAPACITY, MODE SENSE, or MODE SENSE EXTENDED command after initializing the disk medium.

Table 3.4 Format capacity

Model	Data heads	Data block length	User blocks	Format capacity (GB)
MAE3182 series	8	512	35,700,480	18.2
MAE3091 series	4		17,826,240	9.1
MAF3364 series	19		71,161,520	36.4
MAG3182 series	10		35,694,860	18.2
MAG3091 series	5		17,827,698	9.1

Note:

Total number of spare sectors is calculated by adding the number of spare sectors in each primary cylinder and the number of sectors in the alternate cylinders.

3.2 Logical Data Block Addressing

Independently of the physical structure of the disk drive, the IDD adopts the logical data block addressing as a data access method on the disk medium. The IDD relates a logical data block address to each physical sector at formatting. Data on the disk medium is accessed in logical data block units. The INIT specifies the data to be accessed using the logical data block address of that data.

The logical data block addressing is a function whereby individual data blocks are given addresses of serial binaries in each drive.

(1) Block address of user space

The logical data block address number is consecutively assigned to all of the data blocks in the user space starting with 0 to the first data block.

The IDD treats sector 0, track 0, cylinder 0 as the first logical data block. The data block is allocated in ascending order of addresses in the following sequence (refer to Figure 3.5):

- 1) Numbers are assigned in ascending order to all sectors in the same track.
- 2) By following step 1), numbers are assigned in ascending order of tracks to all sectors in each track in the same cylinder except the last track.
- 3) By following step 1), numbers are assigned to all sectors in the last track except the spare sectors.
- 4) After completing steps 1) through 3) for the same cylinder, this allocation is repeated from track 0 in the next cylinder and on to the last cylinder (cylinder p-q in Figure 3.1) except for the alternate cylinders in ascending order of cylinder numbers.

When the logical data block is allocated, some sectors (track skew and cylinder skew) shown in Figure 3.5 are provided to avoid waiting for one turn involving head and cylinder switching at the location where the track or the cylinder is physically switched.

See Subsection 3.3.2 for defective/alternate block treatment and the logical data block allocation method in case of defective sectors exist on the disk.

(2) Alternate area

Alternate areas in the user space (spare sectors in the cylinder and alternate cylinders) are not included in the above logical data block addresses. Access to sectors which are allocated as an alternate block in the alternate area is made automatically by means of IDD sector slip treatment or alternate block treatment (explained in Subsection 3.3.2), so the user does not have to worry about accessing the alternate area. The user cannot access with specifying the data block on the alternate area explicitly.

3.3 Defect Management

3.3.1 Defect list

Information of the defect location on the disk is managed by the defect list. The following are defect lists which the IDD manages.

- P list (Primary defect list): This list consists of defect location information available at the disk drive shipment and is recorded in a system space. The defects in this list are permanent, so the INIT must execute the alternate block allocation using this list when initializing the disk.
- D list (Data defect list): This list consists of defect location information specified in a FORMAT UNIT command by the INIT at the initialization of the disk. This information is recorded in the system space of the disk drive as the G list. To execute the alternate block allocation, the FORMAT UNIT command must be specified.
- G list (Growth defect list): This list consists of defective logical data block location information specified in a REASSIGN BLOCKS command by the INIT, information on defective logical data blocks assigned alternate blocks by means of IDD automatic alternate block allocation, information specified as the D list, and information generated as the C list. They are recorded in the system space on the disk drive.

The INIT can read out the contents of the P and G lists by the READ DEFECT DATA command.

3.3.2 Alternate block allocation

The alternate data block is allocated to a defective data block (= sectors) in defective sector units by means of the defect management method inside the IDD.

The INIT can access all logical data blocks in the user space, as long as there is no error.

Spare sectors to which alternate blocks are allocated can be provided in either "spare sectors in a cylinder" or "alternate cylinders". See Subsection 3.1.2 for details.

The INIT can specify the size and area for spare sectors by the MODE SELECT command at the time of the initialization of the disk.

Both of the following are applicable to the alternate block allocation.

- Sector slip treatment: Defective sectors are skipped and the logical data block corresponding to those sectors is allocated to the next physical sectors. This treatment is made on the same cylinder as the defective sector's and is effective until all spare sectors in that cylinder are used up.
- Alternate sector treatment: The logical data block corresponding to defective sectors is allocated to unused spare sectors in the same cylinder or unused spare sectors in the alternate cylinder.

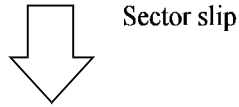
The alternate block allocation is executed by the FORMAT UNIT command, the REASSIGN BLOCKS command, or the automatic alternate block allocation. Refer to OEM Manual–SCSI Logical Specifications–for details of specifications on these commands. The logical data block is allocated to the next physically continued sectors after the above sector slip treatment is made. On the other hand, the logical data block is allocated to spare sectors which are not physically consecutive to the adjacent logical data blocks. If a command which processes several logical data blocks is specified, the IDD processes those blocks in ascending order of logical data block.

(1) Alternate block allocation during FORMAT UNIT command execution

When the FORMAT UNIT command is specified, the allocation of the alternate block to those defective sectors included in the specified lists (P, G, or D) is continued until all spare sectors in the same cylinder are used up. When they are used up, unused spare sectors in the alternate cylinder are allocated to the subsequent sectors in the cylinder by means of alternate sector treatment. Figure 3.7 is examples of the alternate block allocation during the FORMAT UNIT command execution.

Example 1

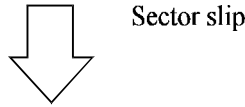
0	1	X	3	4	5	6	7
8	9	10	11	12	X	14	15
16	17	18	19	20	21	22	23
X	25	26	27	S	S	S	S



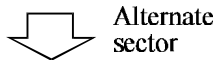
0	1	X	2	3	4	5	6
7	8	9	10	11	X	12	13
14	15	16	17	18	19	20	21
X	22	23	24	25	26	27	S

Example 2

0	1	X	3	4	5	6	7
X	9	10	11	12	X	14	15
16	17	18	X	20	21	22	23
X	25	26	27	S	S	S	S



						S	S	S	S
0	1	X	2	3	4	5	6	S	S
X	7	8	9	10	X	11	12	S	S
13	14	15	X	16	17	18	19	S	S
X	21	22	23	24	25	26	27	Alternate cylinder	



						20	S	S	S
0	1	X	2	3	4	5	6	S	S
X	7	8	9	10	X	11	12	S	S
13	14	15	X	16	17	18	19	S	S
X	21	22	23	24	25	26	27	Alternate cylinder	

n : n represents a logical data block number

X : Defective sector

S : Unused spare sector

Figure 3.7 Alternate block allocation by FORMAT UNIT command

If the data block verifying operation (certification) is not permitted (DCRT flag = 0) in the FORMAT UNIT command, the IDD checks all initialized logical data blocks by reading them out after the above alternate block allocation is made to initialize (format) the disk. If a defective data block is detected during the check, the IDD allocates the alternate block to the defective data block. This alternate block allocation is made by means of alternate sector treatment only like processing by the REASSIGN BLOCKS command even if unused spare sectors exists in the same cylinder.

(2) Alternate block allocation by REASSIGN BLOCKS command

When the REASSIGN BLOCKS command is specified, the alternate block is allocated to the defective logical data block specified by the initiator by means of alternate sector treatment. If there are unused spare sectors in the same cylinder as the specified defective logical data block, the alternate block is allocated to these unused spare sectors. However, the alternate block is allocated to unused spare sectors in the alternate cylinder when all spare sectors in the cylinder are used up.

Figure 3.8 is examples of the alternate block allocation by the REASSIGN BLOCKS command.

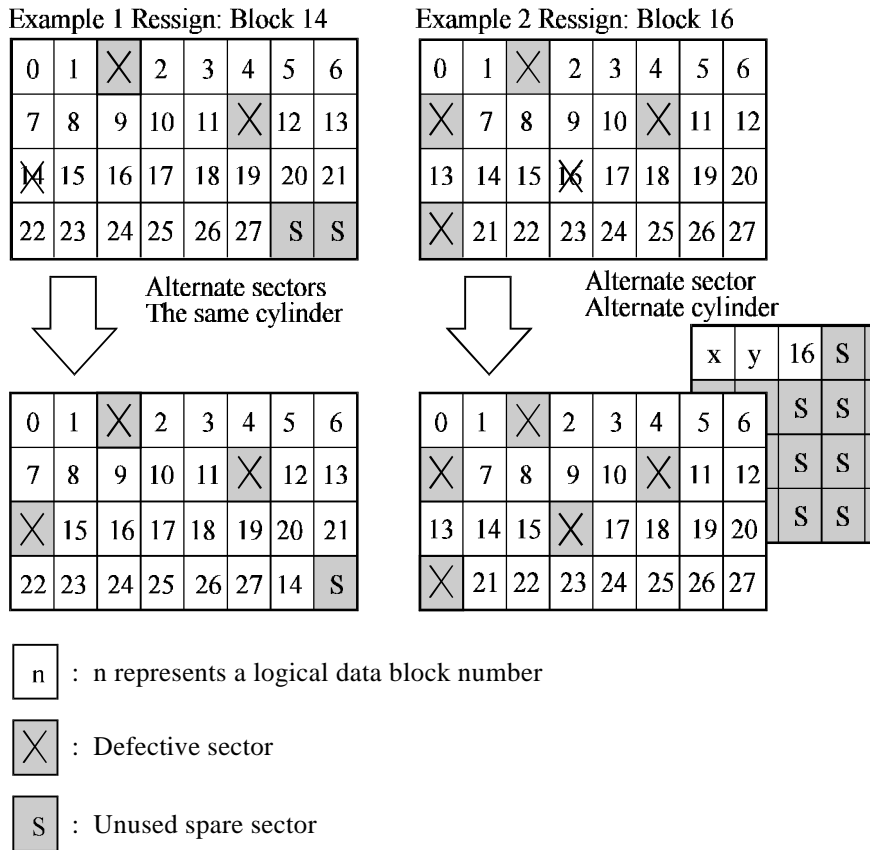


Figure 3.8 Alternate block allocation by REASSIGN BLOCKS command

(3) Automatic alternate block allocation

If the ARRE flag in the MODE SELECT parameter permits the automatic alternate block allocation, the IDD automatically executes the alternate block allocation and data duplication on the defective data block detected during the READ EXTENDED command. This allocation method is the same as with the REASSIGN BLOCKS command (alternate sector treatment).

IMPORTANT

Automatic alternate block allocation is made only once during the execution of one command. If second defective block is detected, the alternate block assignment processing for the first defective block is executed but the alternate block assignment processing for the second one is not executed and the command being executed terminates. However, the initiator can recover the twice error by issuing the same command again.

When an error is detected in a data block in the data area, recovery data is rewritten and verified in automatic alternate block allocation during the execution of the READ or READ EXTENDED command. Alternate block allocation will not be made for the data block if recovery is successful.

Example: Even if the data error which is recoverable by the WRITE LONG command is simulated, automatic alternate block allocation will not be made for the data block.

CHAPTER 4 INSTALLATION REQUIREMENTS

- 4.1 Mounting Requirements**
- 4.2 Power Supply Requirements**
- 4.3 Connection Requirements**

This chapter describes the environmental, mounting, power supply, and connection requirements.

4.1 Mounting Requirements

4.1.1 External dimensions

Figures 4.1 to 4.6 show the external dimensions of the IDD and the positions of the holes for the IDD mounting screws.

Note:

Dimensions are in mm.

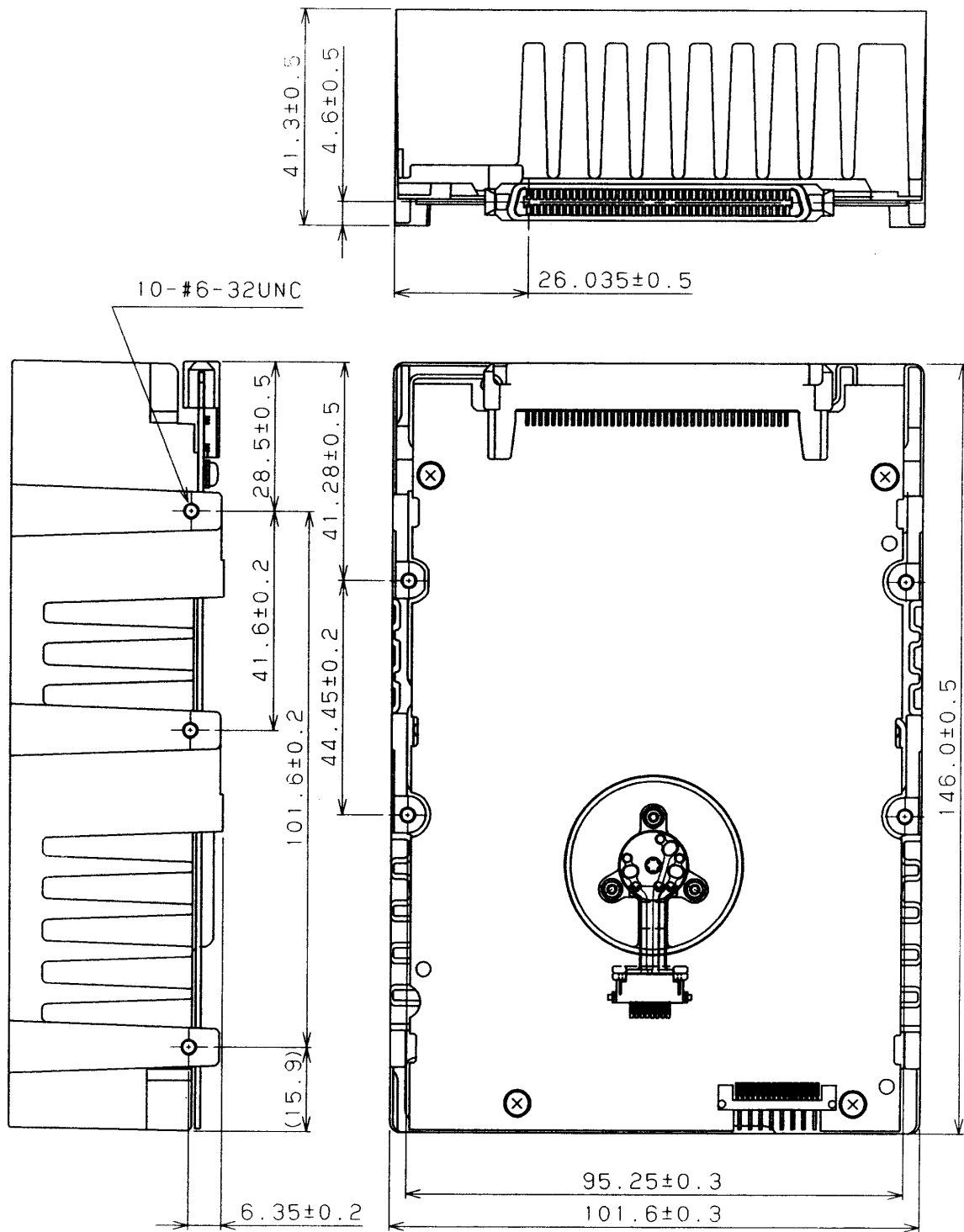


Figure 4.1 External dimensions (MAF series LC/MC)

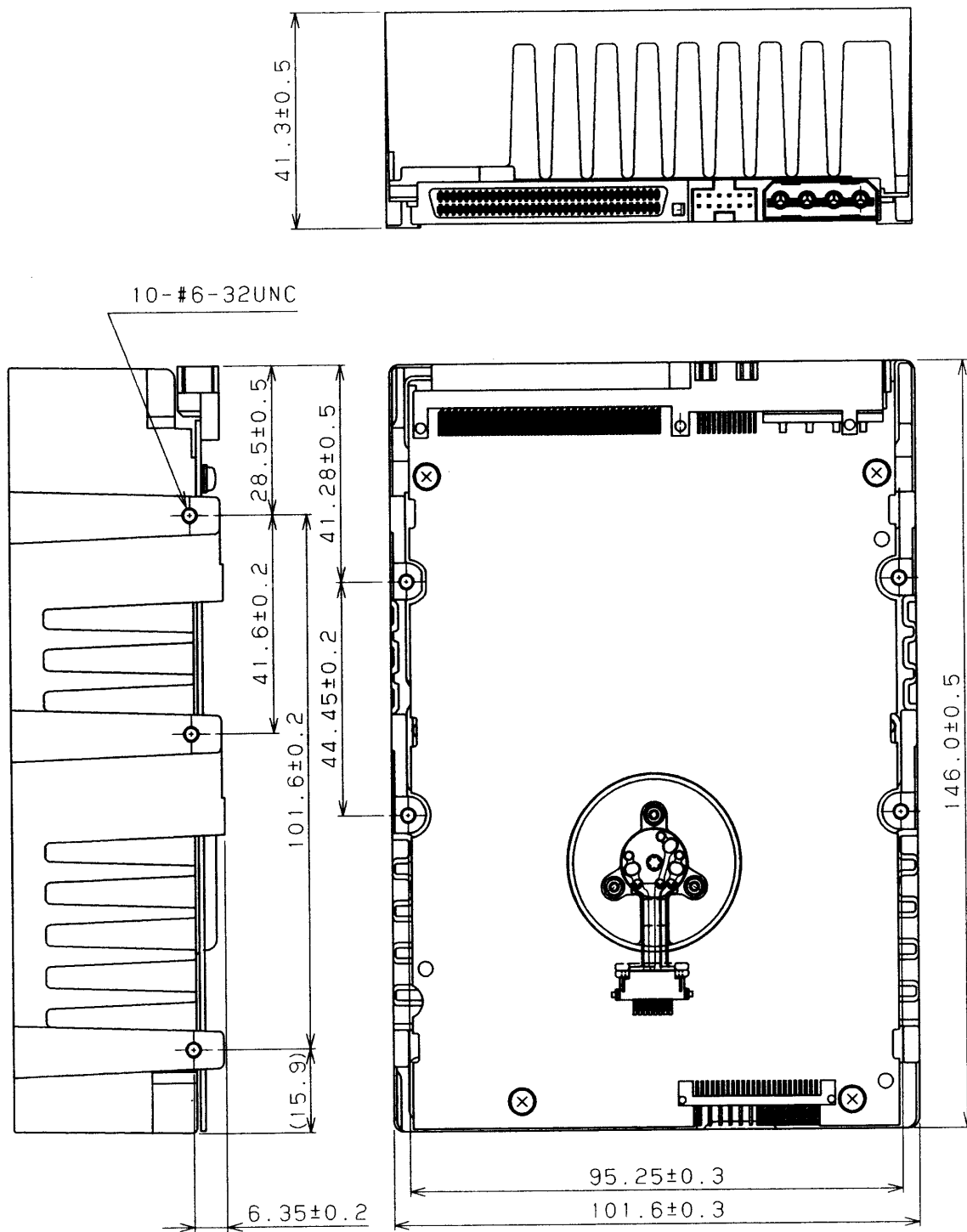


Figure 4.2 External dimensions (MAF series LP/MP)

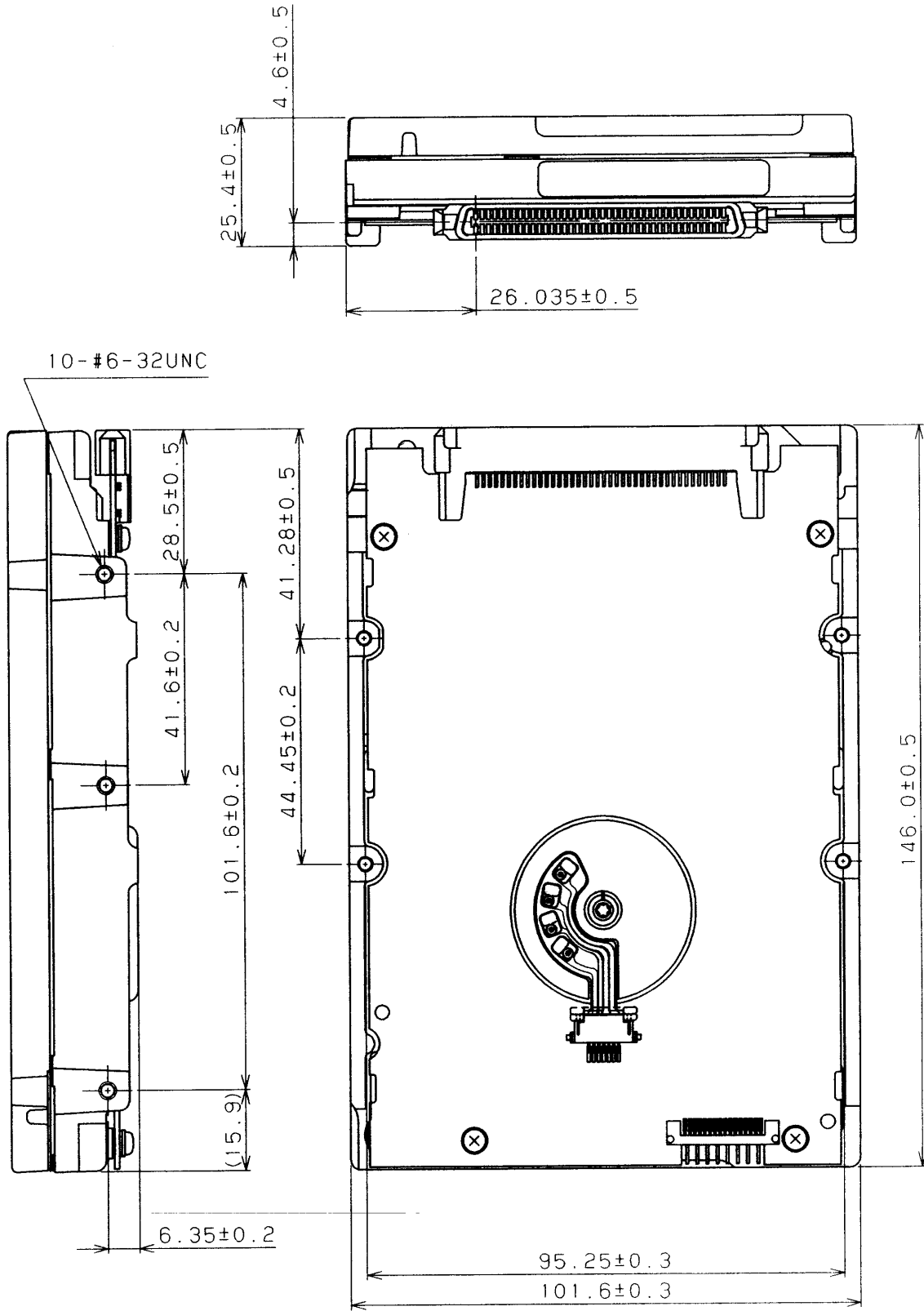


Figure 4.3 External dimensions (MAE series LC)

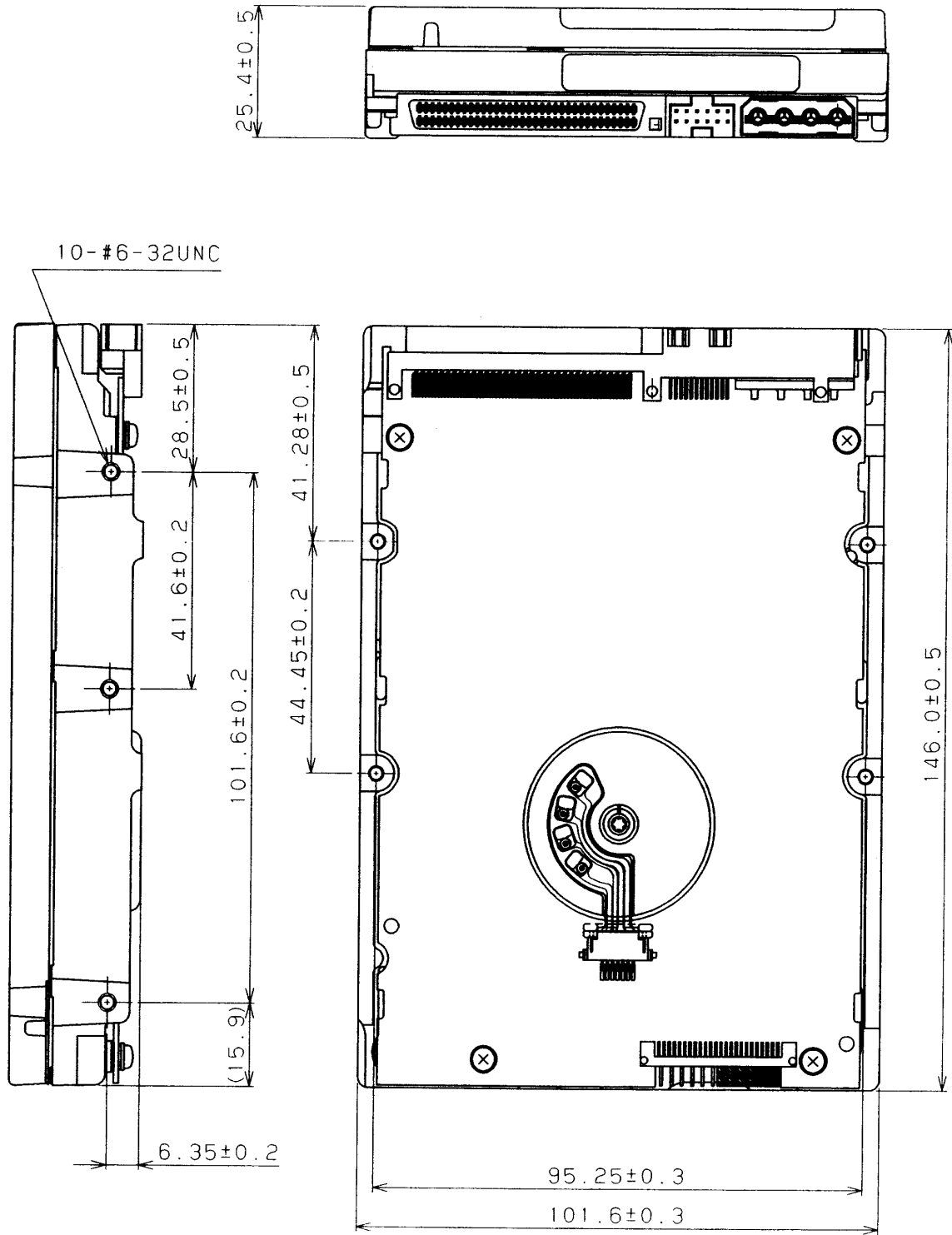


Figure 4.4 External dimensions (MAE series LP)

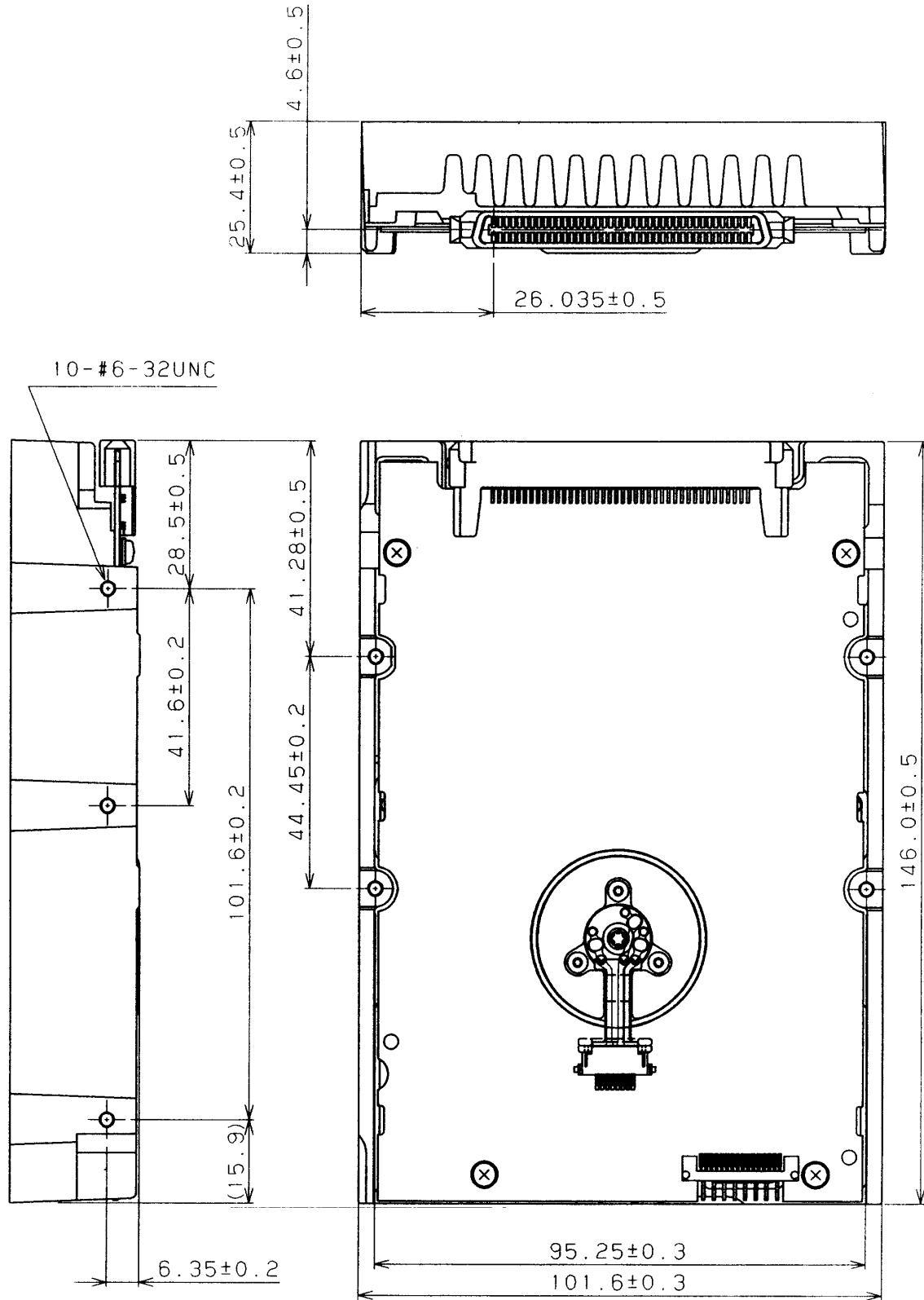


Figure 4.5 External dimensions (MAG series LC/MC)

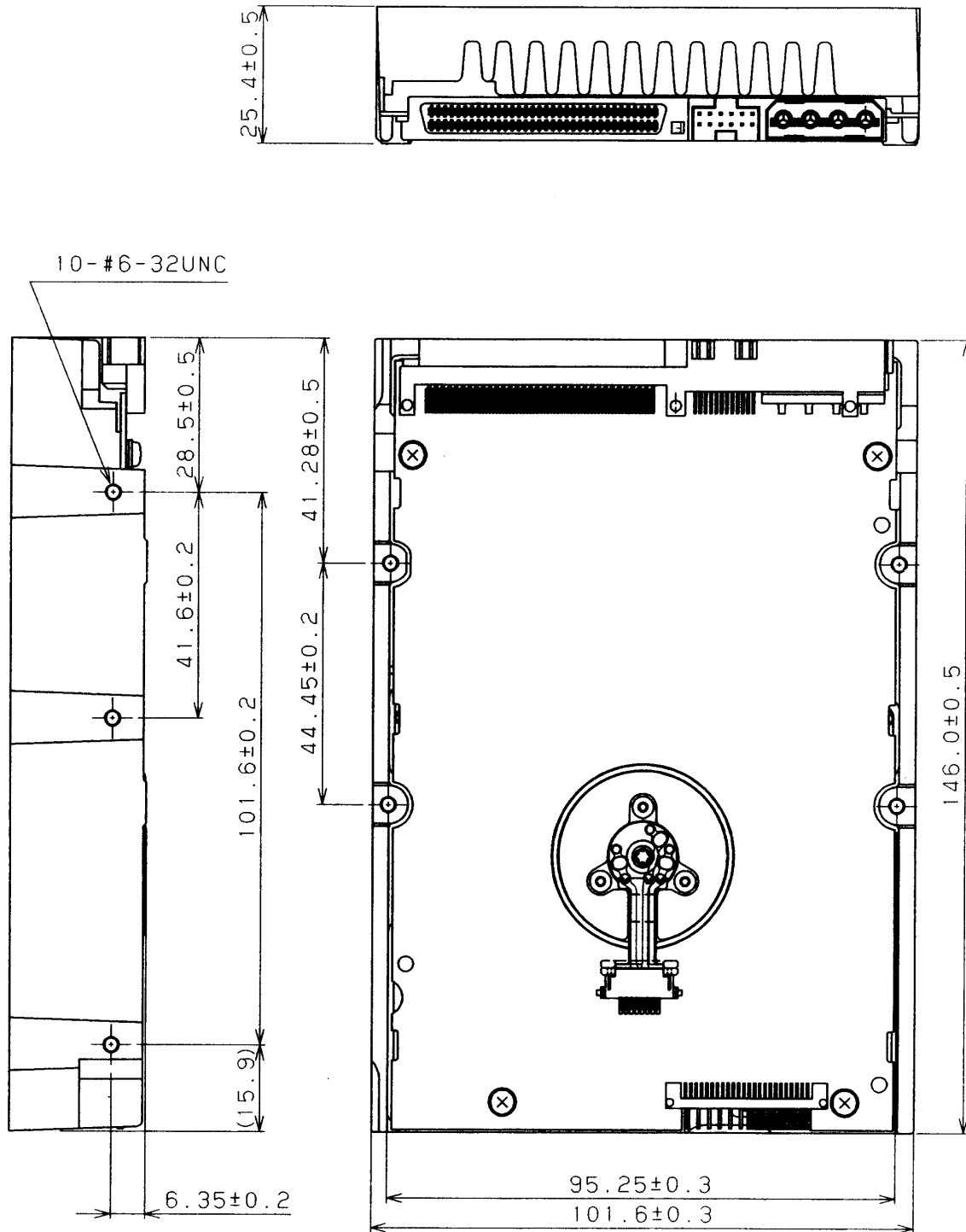


Figure 4.6 External dimensions (MAG series LP/MP)

4.1.2 Mounting

The permissible directions of the IDD are shown in Figure 4.7, and the tolerance of the angle is $\pm 5^\circ$ from the horizontal plane.

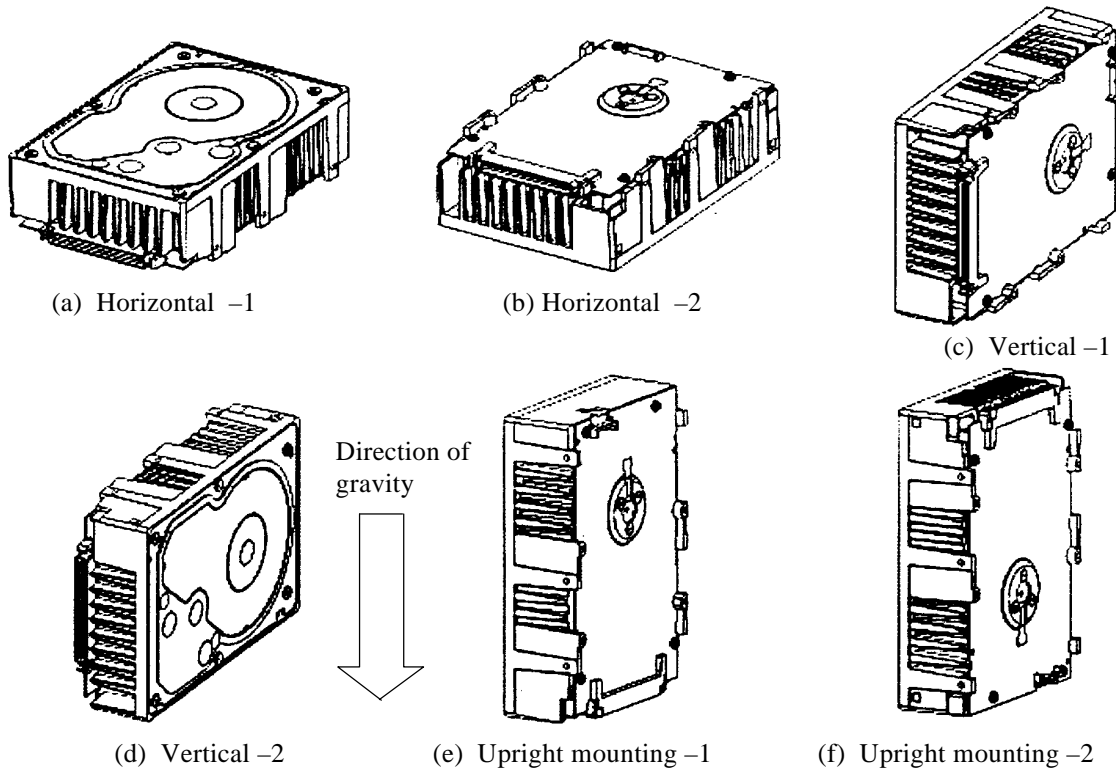


Figure 4.7 IDD directions

4.1.3 Notes on mounting

(1) Mounting frame structure

Special attention must be given to mount the IDD disk enclosure (DE) as follows.

- Use the frame with an embossed structure, or the like. Mount the IDD with making a gap of 2.5 mm or more between the IDD and the frame of the system.
- As shown in Figure 4.8, the inward projection of the screw from the IDD frame wall at the corner must be 4 mm or less.
- Tightening torque of screw must be secured with 6kg-cm.
- Impact caused by the electric driver must be within the device specifications.
- Must be handled on an anti-static mat.

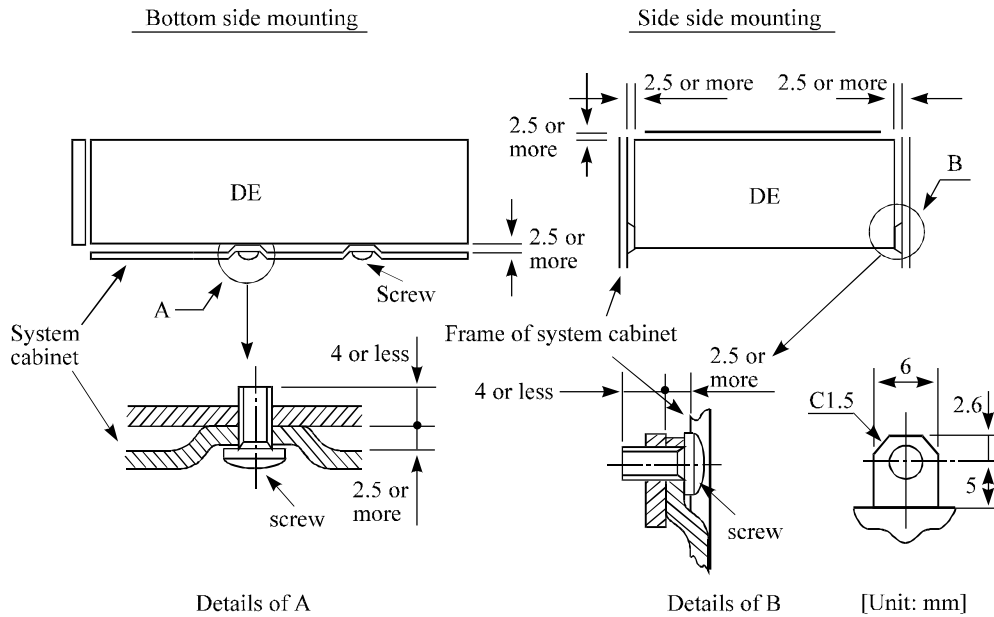


Figure 4.8 Mounting frame structure

(2) Limitation of side-mounting

Mount the side using the screw holes at both the ends as shown in Figure 4.9. Do not use the center hole.

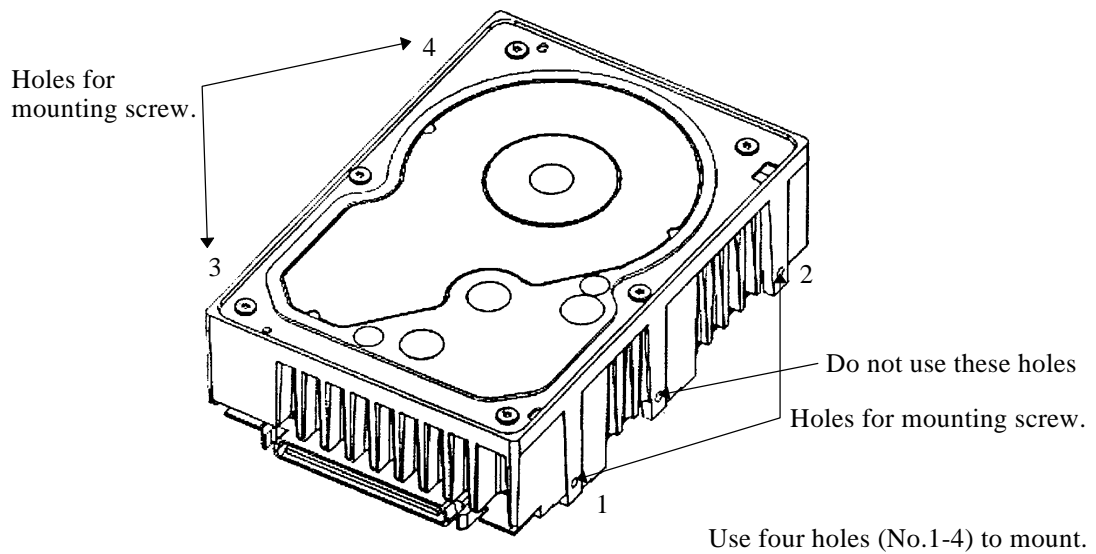


Figure 4.9 Limitation of side-mounting

(3) Environmental temperature

Temperature condition at installed in a cabinet is indicated with ambient temperature measured 3 cm from the disk drive. At designing the system cabinet, consider following points.

- Make a suitable air flow so that the DE surface temperature does not exceed 55°C.



Heat

An air flow with an adequate wind velocity must be maintained to deal with much heat generated from the MAF3364xx.

Reference value: An air flow with a wind velocity of more than 0.5 m/s is required in an environment at 40°C, and an air flow with a wind velocity of more than 1.0m/s in an environment at 45°C (Center of DE cover 55°C).

- Cool the PCA side especially with air circulation inside the cabinet. Confirm the cooling effect by measuring temperature of specific ICs and the DE. These measurement results should be within a criteria listed in Table 4.1.

Table 4.1 Surface temperature check point

No.	Measurement point	Criteria
1	Center of DE cover	55°C
2	Read channel LSI	83°C
3	VCM/SPM Driver	75°C
4	HDC	85°C

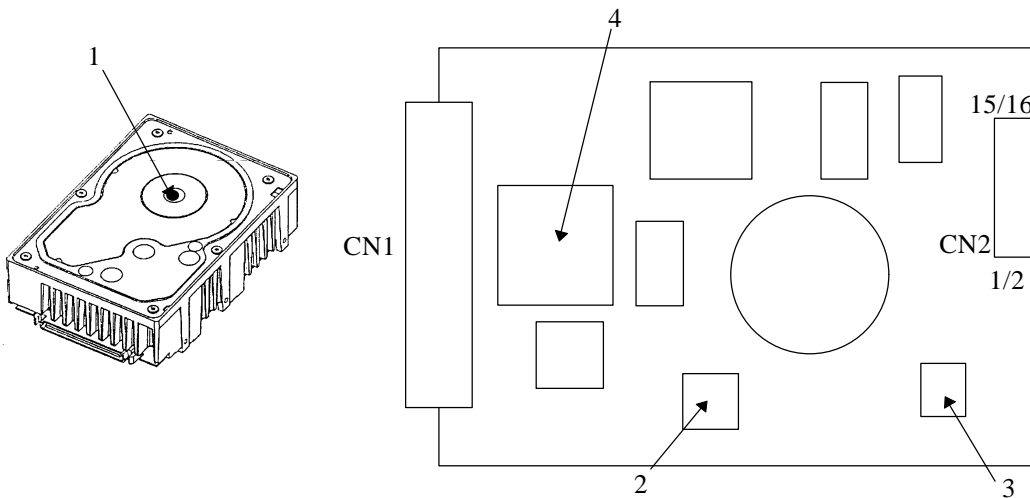


Figure 4.10 Surface temperature measurement points (MAF series, MAE series, MAG series)

(4) Service clearance area

The service clearance area, or the sides which must allow access to the IDD for installation or maintenance, is shown in Figures 4.11.

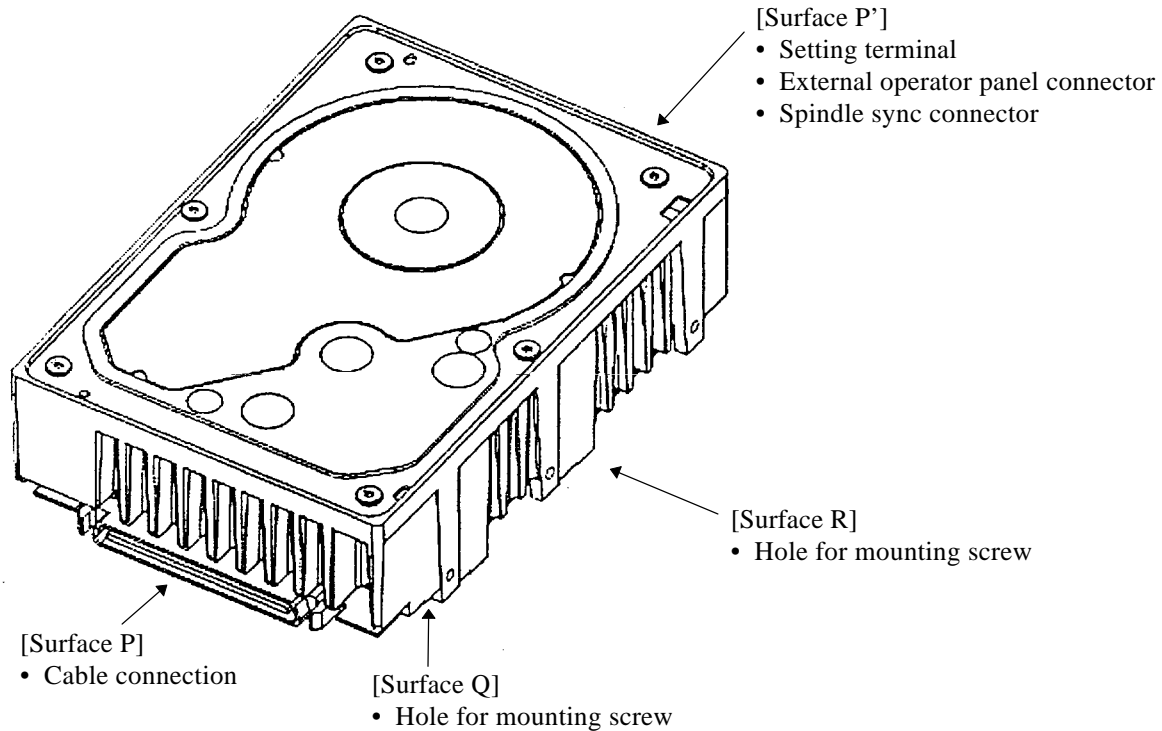


Figure 4.11 Service clearance area

(5) External magnetic field

The drive should not be installed near the ferromagnetic body like a speaker to avoid the influence of the external magnetic field.

(6) Leak magnetic flux

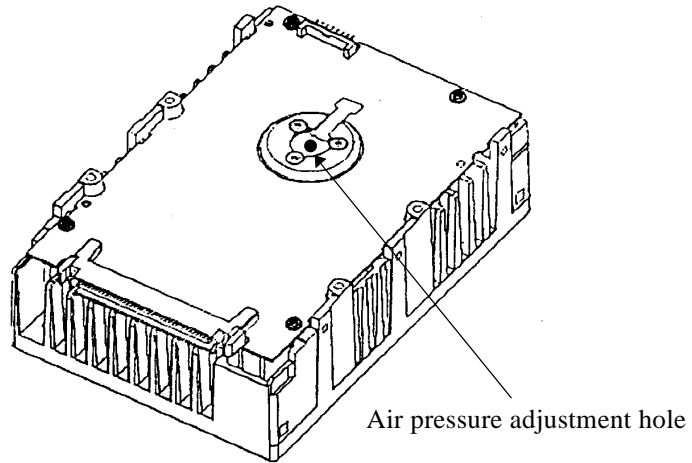
The IDD uses a high performance magnet to achieve a high speed seek. Therefore, a leak magnetic flux at surface of the IDD is large. Mount the IDD so that the leak magnetic flux does not affect to near equipment.

(7) Others

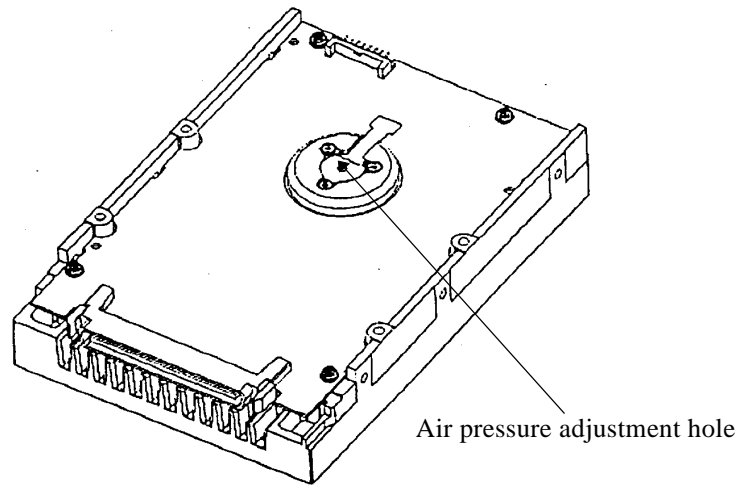
A hole or screw portion as shown in Figure 4.12 is used for adjusting air pressure balance between inside and outside the DE. Do not fill with a seal or label.

Seals on the DE prevent the DE inside from the dust. Do not damage or peel off labels.

MAF series



MAG series



MAE series

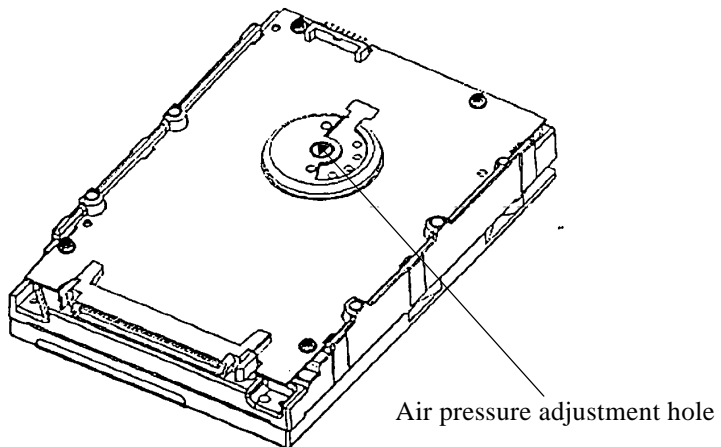


Figure 4.12 Air pressure adjustment hole

4.2 Power Supply Requirements

(1) Allowable input voltage and current

The power supply input voltage measured at the power supply connector pin of the IDD (receiving end) must satisfy the requirement given in Subsection 2.1.3. (For other requirements, see Items (4) and (5) below.)

(2) Current waveform (reference)

Figure 4.13 shows the waveform of +12 VDC.

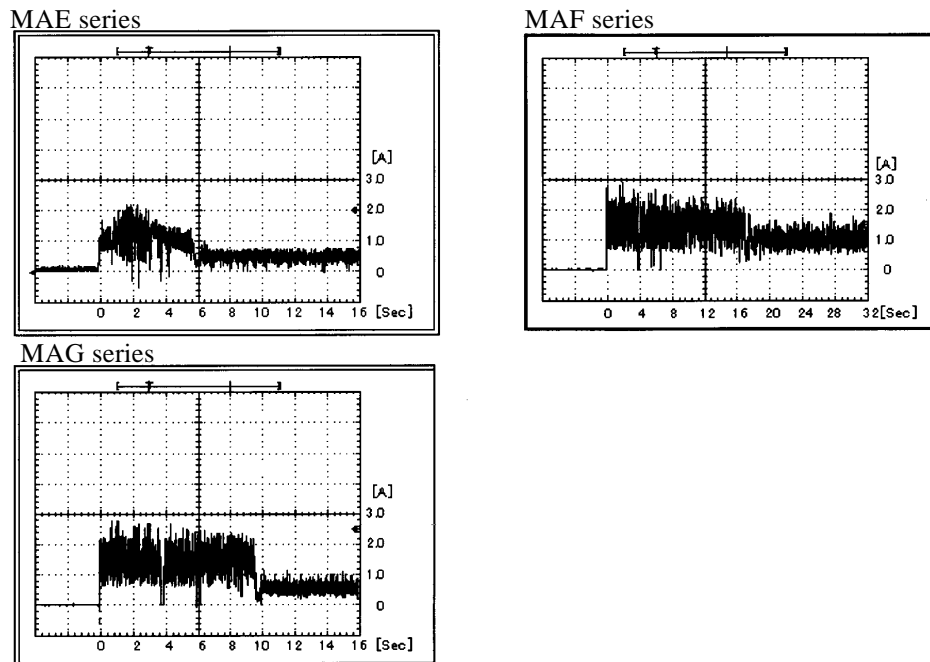


Figure 4.13 Current waveform (+12 VDC)

(3) Power on/off sequence

- a) The order of the power on/off sequence of +5 VDC and +12 VDC, supplied to the IDD, does not matter.
- b) In a system which uses the terminating resistor power supply signal (TERMPWR) on the SCSI bus, the requirements for +5 VDC given in Figure 4.14 must be satisfied between the IDD and at least one of the SCSI devices supplying power to that signal.

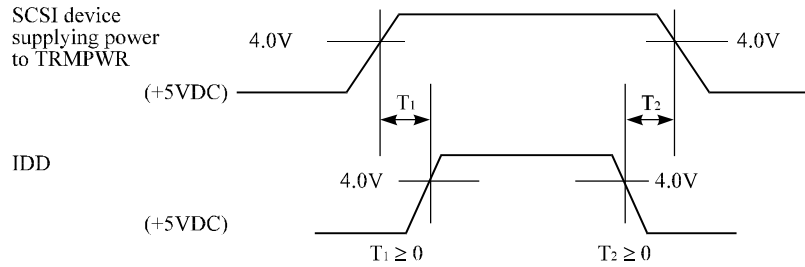


Figure 4.14 Power on/off sequence (1)

- c) In a system which does not use the terminating resistor power supply signal (TERMPWR) on the SCSI bus, the requirements for +5 VDC given in Figure 4.15 must be satisfied between the IDD and the SCSI device with the terminating resistor circuit.

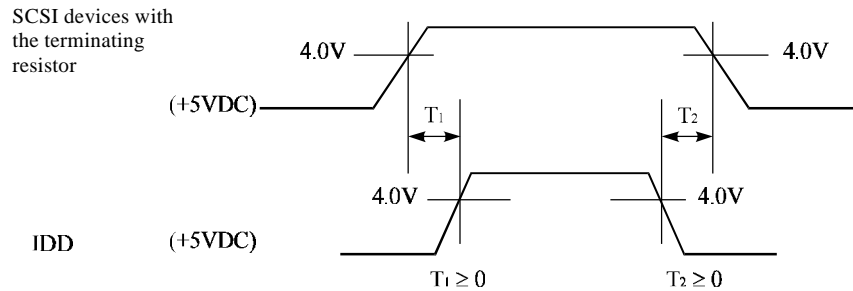


Figure 4.15 Power on/off sequence (2)

- d) Between the IDD and other SCSI devices on the SCSI bus, the +5 VDC power on/off sequence is as follows:

- In a system with its all SCSI devices designed to prevent noise from leaking to the SCSI bus when power is turned on or off, the power sequence does not matter if the requirement in b) or c) is satisfied.
- In a system containing an SCSI device which is not designed to prevent noise from leaking to the SCSI bus, the requirement given in Figure 4.16 must be satisfied between that SCSI device and the IDD.

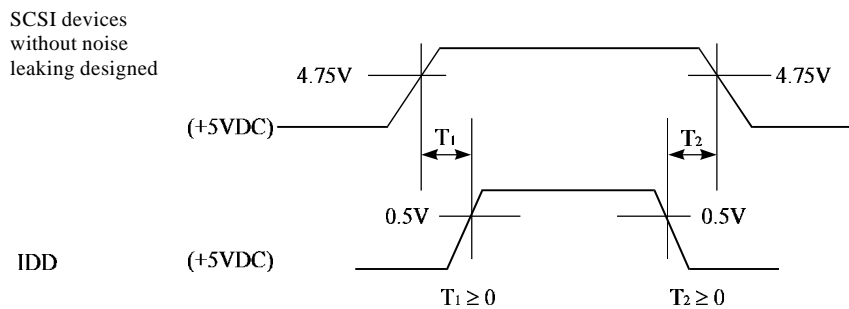


Figure 4.16 Power on/off sequence (3)

(4) Sequential starting of spindle motors

After power is turned on to the IDD, a large amount of current flows in the +12 VDC line when the spindle motor rotation starts. Therefore, if more than one IDD is used, the spindle motors should be started sequentially using one of the following procedures to prevent overload of the power supply unit. For how to set a spindle motor start control mode, see Subsection 5.3.2.

- a) Issue START/STOP commands at more than 12-second intervals to start the spindle motors. For details of this command specification, refer to SCSI Logical Interface Specifications.
- b) Turn on the +12 VDC power in the power supply unit at more than 12-second intervals to start the spindle motors sequentially.

(5) Power supply to SCSI terminating resistor

If power for the terminating resistor is supplied from the IDD to other SCSI devices through the SCSI bus, the current-carrying capacity of the +5 VDC power supply line to the IDD must be designed with considering of an increase of up to 200 mA.

A method of power supply to the terminating resistor is selected with a setting terminal on the IDD. See Subsection 5.3.2 for this selection.

For the electrical condition of supplying power to the terminating resistor, refer to Subsection 1.4.2 in SCSI Physical Interface Specifications.

(6) Noise filter

To eliminate AC line noise, a noise filter should be installed at the AC input terminal on the IDD power supply unit. The specification of this noise filter is as follows:

- Attenuation: 40 dB or more at 10 MHz
- Circuit construction: T-configuration as shown in Figure 4.17 is recommended.

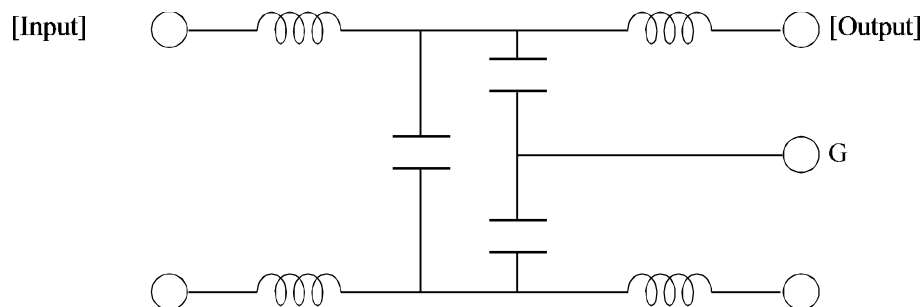


Figure 4.17 AC noise filter (recommended)

4.3 Connection Requirements

4.3.1 68 pin connector 16-bit SCSI model (LP/MP)

(1) Connectors

Figures 4.18 show the locations of connectors and terminals on the 68 pin connector type 16-bit SCSI (LP/MP) model.

- Power supply connector
- SCSI connector
- External operator panel connector

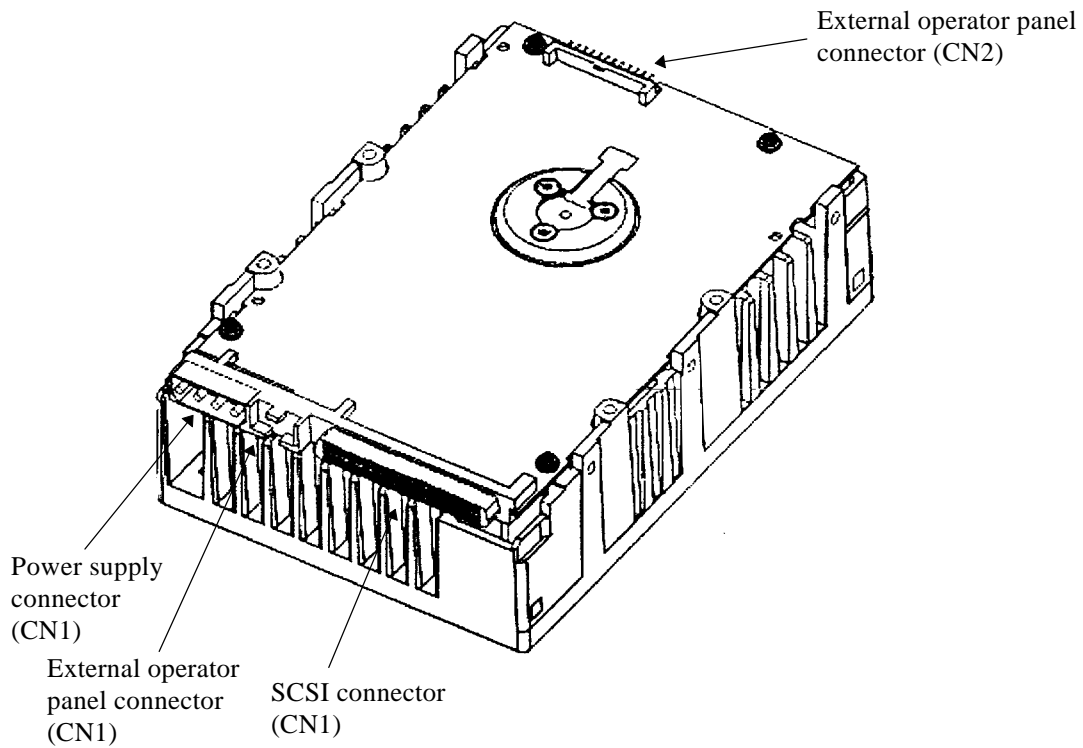


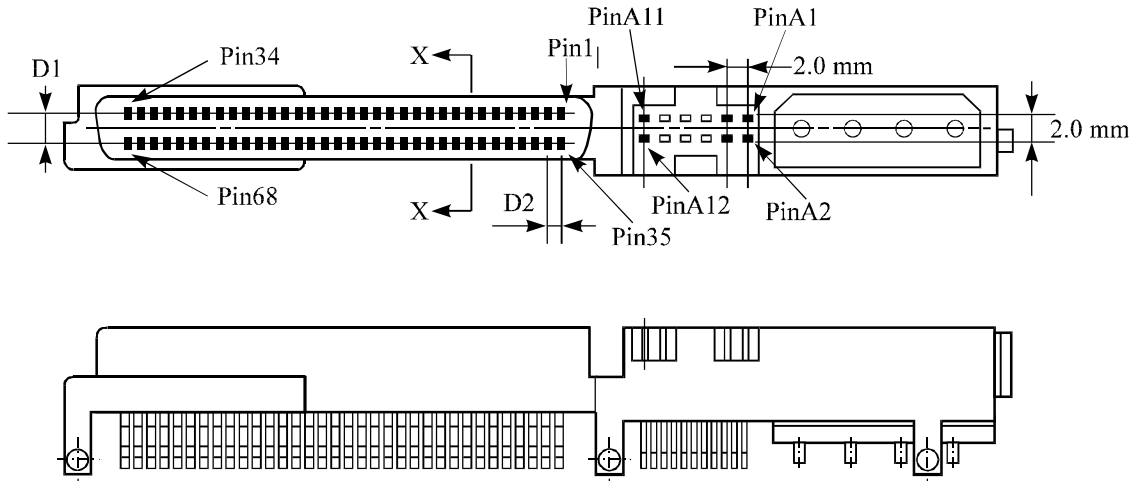
Figure 4.18 Connectors and terminals location (LP/MP)

(2) SCSI connector and power supply connector

a. 16-bit SCSI

The connector for the SCSI bus is an unshielded P connector conforming to SCSI-3 type which has two 34-pin rows spaced 1.27 mm (0.05 inch) apart. Figure 4.19 shows the SCSI connector. See Section C.2 in Appendix C for the signal assignments on the SCSI connector.

For details on the physical/electrical requirements of the interface signals, refer to Sections 1.3 and 1.4 in the SCSI Physical Interface Specifications.



Symbol	mm	Inch	Remarks
D1	2.54	0.100	
D2	1.27	0.050	

The tolerance is ± 0.127 mm (0.005 inch) unless otherwise

Figure 4.19 16-bit SCSI interface connector

b. Power supply connector

Figure 4.20 shows the shape and the terminal arrangement of the output connector of DC power supply.

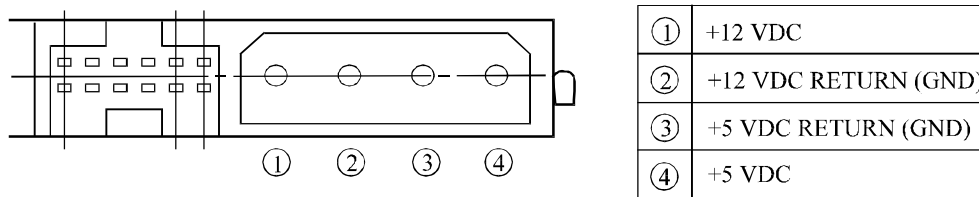


Figure 4.20 Power supply connector (16-bit SCSI model)

(3) SG terminal

The IDD is not provided with an SG terminal (fasten tab) for DC grounding. Therefore, when connecting SG and FG in the system, use the +5 VDC RETURN (ground) inside the power supply connector as the SG on the power supply side.

(4) Connector for external operator panel

- Connector for 16-bit SCSI external operator panel

CN1 provides connector for the external operator panel other than the SCSI bus as shown in Figure 4.21. Also, a connector for the external operator panel are provided on the IDD as shown in Figure 4.22. This allows connection of an external LED on the front panel, and an SCSI ID setting switch. For the recommended circuit of the external operator panel, see Subsection 4.3.4.

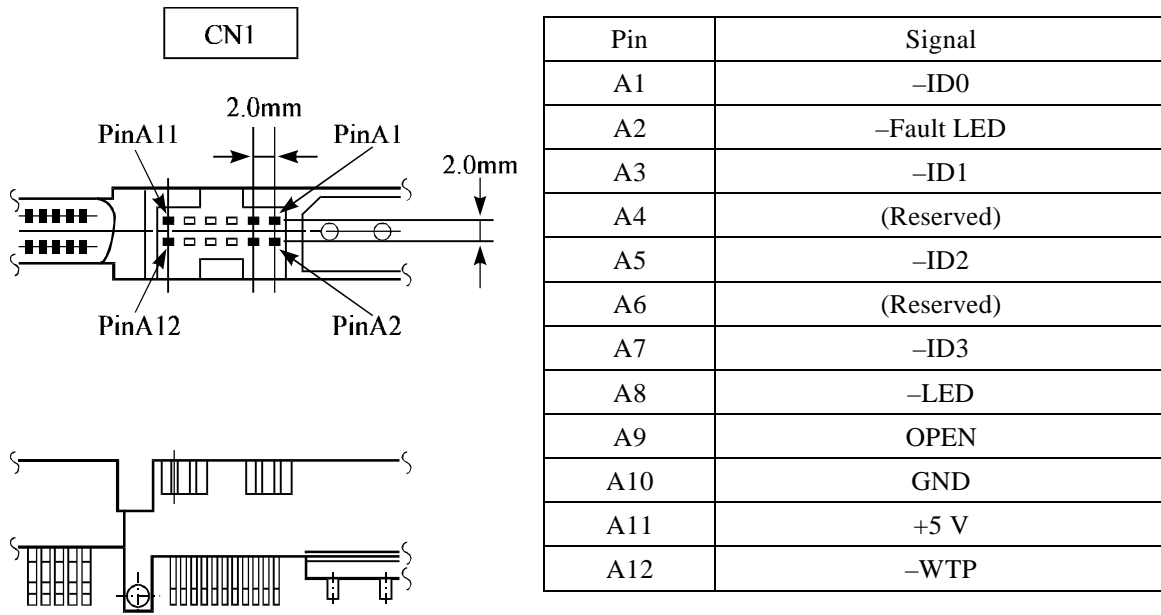


Figure 4.21 External operator panel connector (CN1)

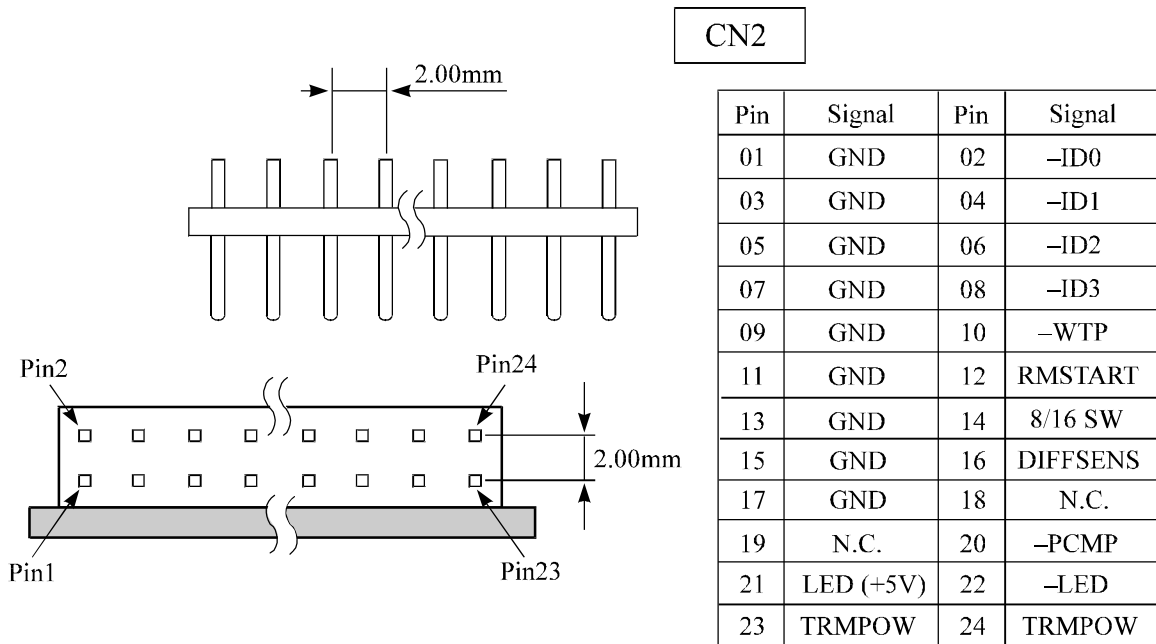


Figure 4.22 External operator panel connector (CN2)

(5) External operator panel connector Signals

- a. 16-bit SCSI -ID3, -ID2, -ID1, -ID0: Input signals (CN1-A1, A3, A5, A7 pin and CN2-02, 04, 06, 08 pin)

These signals are used for providing switches to set the SCSI ID of the IDD externally. Figure 4.23 shows the electrical requirements. For the recommended circuit examples, see Subsection 4.3.4.

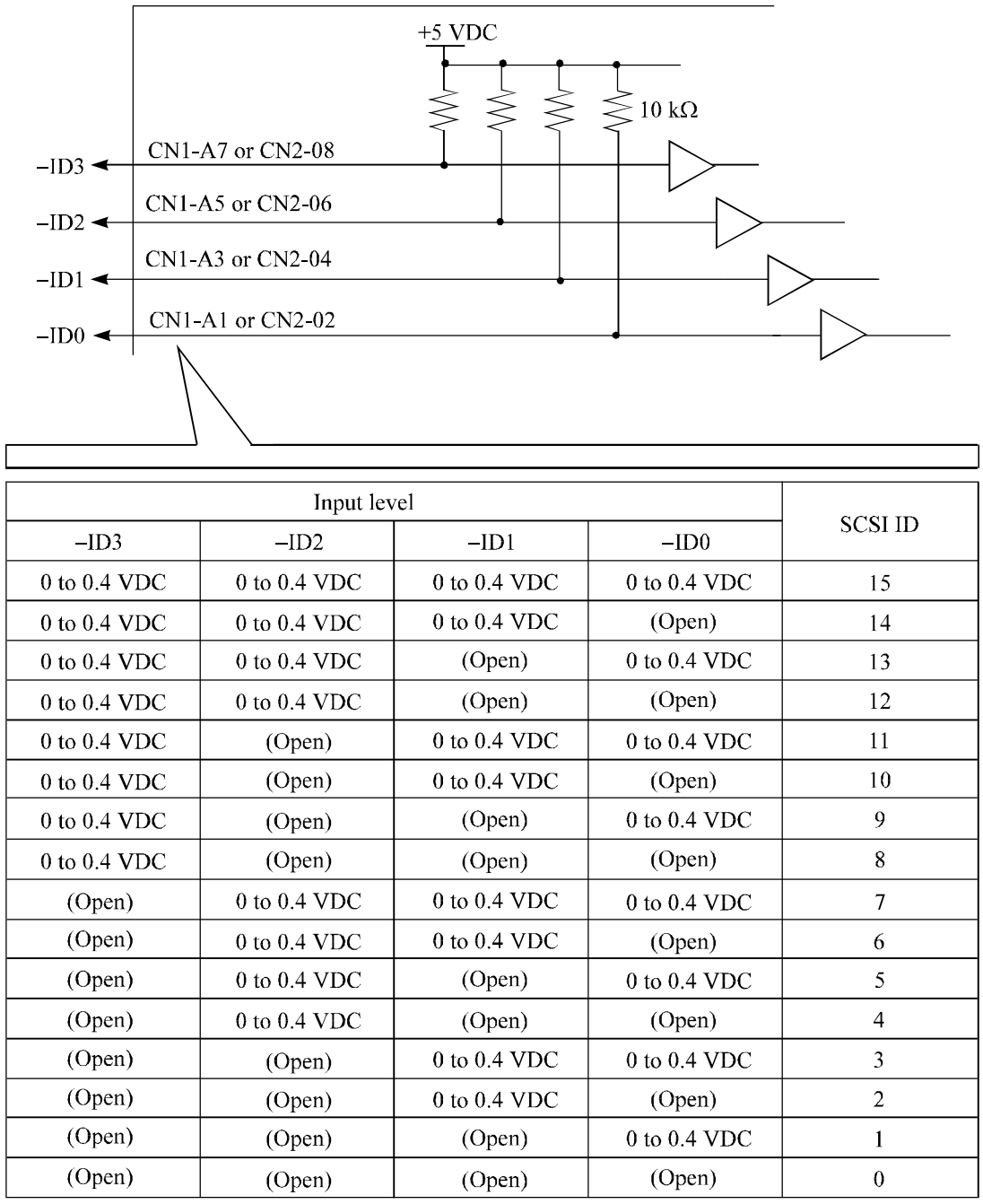
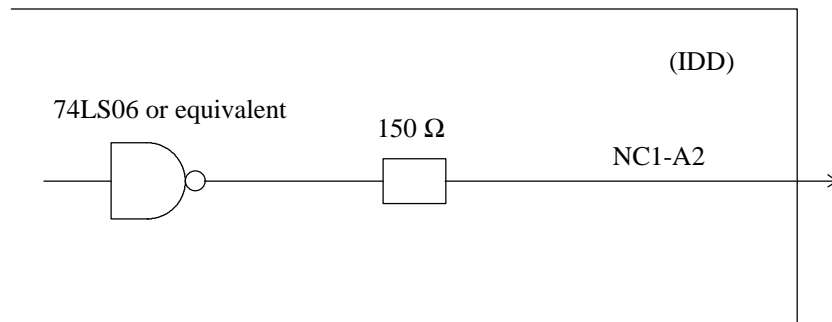


Figure 4.23 16-bit SCSI ID external input

b. –Fault LED: Output signal (CN1-A2 pin)

The IDD indicates that the write-protect status is in effect (CN1-A12 is connected to the GND, or the CN2-9 and CN2-10 are short-circuited.) A signal for driving the LED is output.



IMPORTANT

This signal is temporarily driven at the GND level when the micro program reads the SCSI ID immediately after the power supply to the IDD has been switched on (it is possible to set up the SCSI ID by short circuiting CN1-A1 and CN1-A2.)

c. CN1-A4, CN1-A6 (reserved)

These pins are temporarily driven at the GND level when the micro program reads the SCSI ID immediately after the power supply to the IDD has been switched on (it is possible to set up the SCSI ID by short circuiting CN1-A3 and CN1-A4, and CN1-A5 and CN1-A6.)

These pins get high impedance status except above.

d. –LED and LED (V): Output signals (CN1-A8 pin and CN2-21, 22 pin)

These signals actuate the external LED as same as LED on the front panel of the disk drive. The electrical requirements are given in Figure 4.24.

IMPORTANT

- 1. The external LED is identical in indication to the LED on the front of the IDD. The meaning of indication can be selected with the CHANGE DEFINITION command. For details of command, refer to SCSI Logical Interface Specifications.*
- 2. Any load other than the external LED (see Subsection 4.3.5) should not be connected to the LED (V) and –LED terminals.*
- 3. This signal is temporarily driven at the GND level when the micro program reads the SCSI ID immediately after the power supply to the IDD has been switched on (it is possible to set up the SCSI ID by short circuiting CN1-A7 and CN1-A8.)*

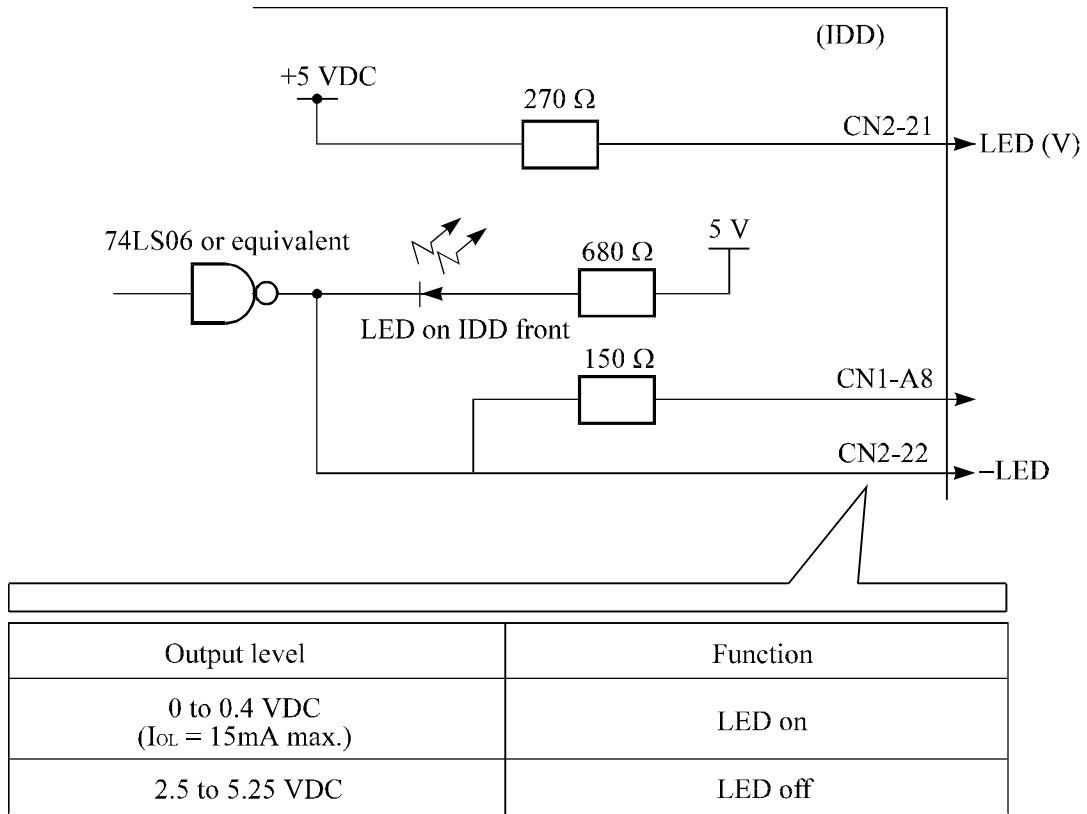


Figure 4.24 Output signal for external LED

e. -WTP: Input signal (CN1-A12 and CN2-9, 10 pin)

By connecting the CN1-A12 and CN2-10 pins to the GND, writing operations into the IDD disc media are set to disable.

(6) Cable connection requirements

The requirements for cable connection between the IDD, host system, and power supply unit are given in Figure 4.25. Recommended components for connection are listed in Table 4.1.

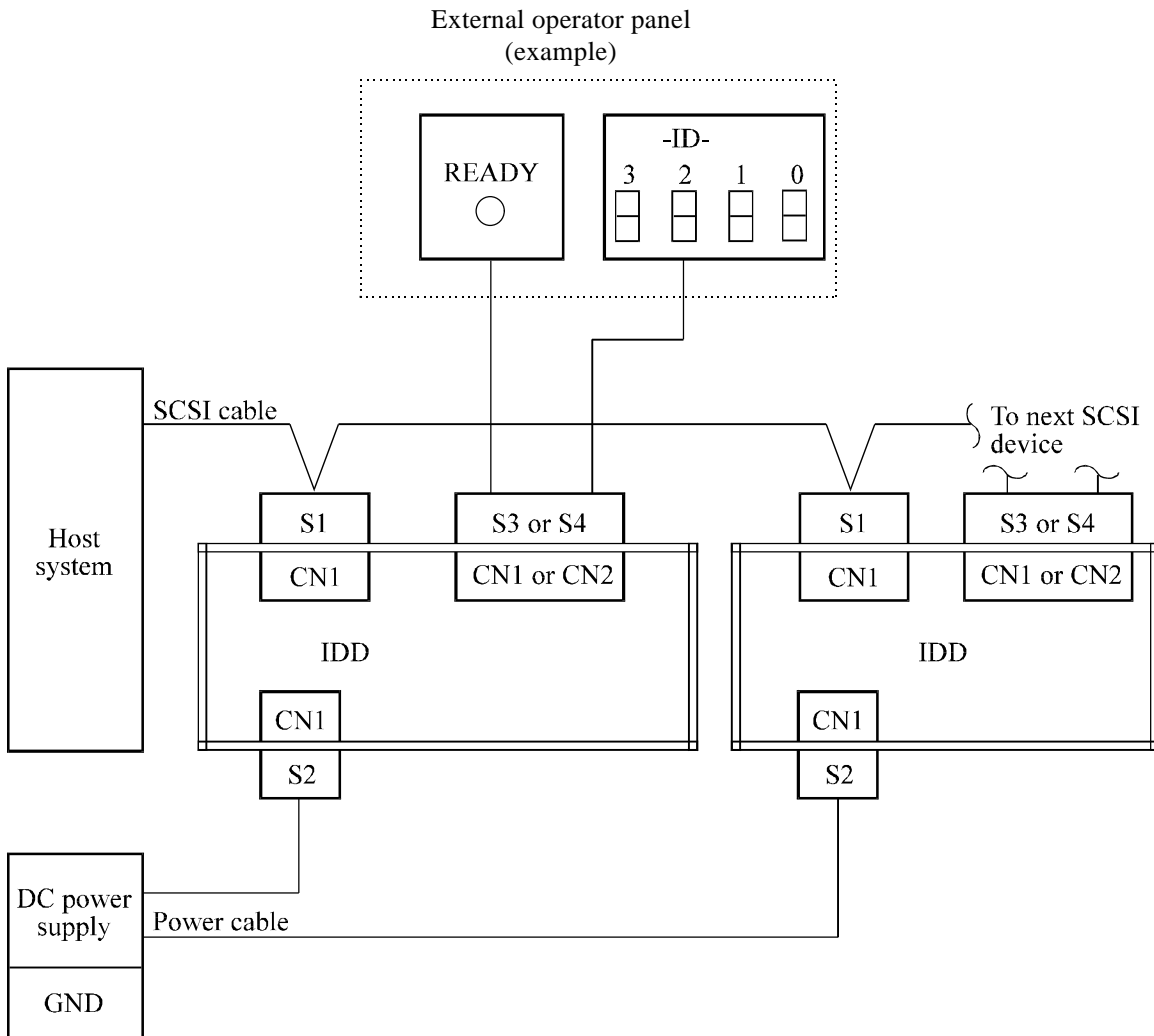


Figure 4.25 SCSI cables connection

4.3.2 SCA2 type SCSI model (LC/MC)

(1) Connectors

Figure 4.26 shows the locations of connectors and terminals on the SCA2 type SCSI model. SCSI connector (including power supply connector)

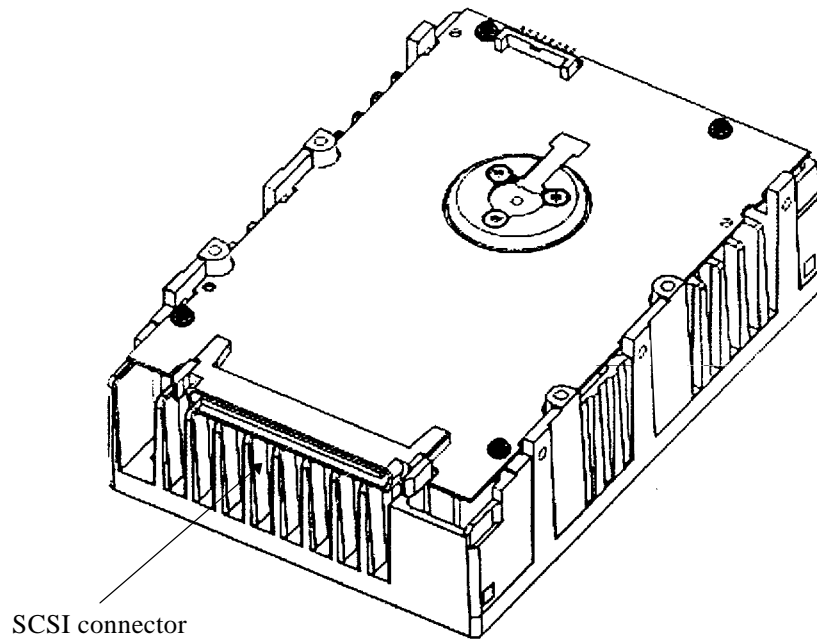


Figure 4.26 Connectors and terminals location of SCA2 type SCSI model

(2) SCSI connector and power supply connector

a. SCA type SCSI

The connector for the SCSI bus is an unshielded SCA-2 connector conforming to SCSI-3 type which has two 40-pin rows spaced 1.27 mm (0.05 inch) apart. Figure 4.27 shows the SCSI connector. See Section C.5 in Appendix C for signal assignments on the connector.

For details on the physical/electrical requirements of the interface signals, refer to Sections 1.3 and 1.4 in SCSI Physical Interface Specifications.

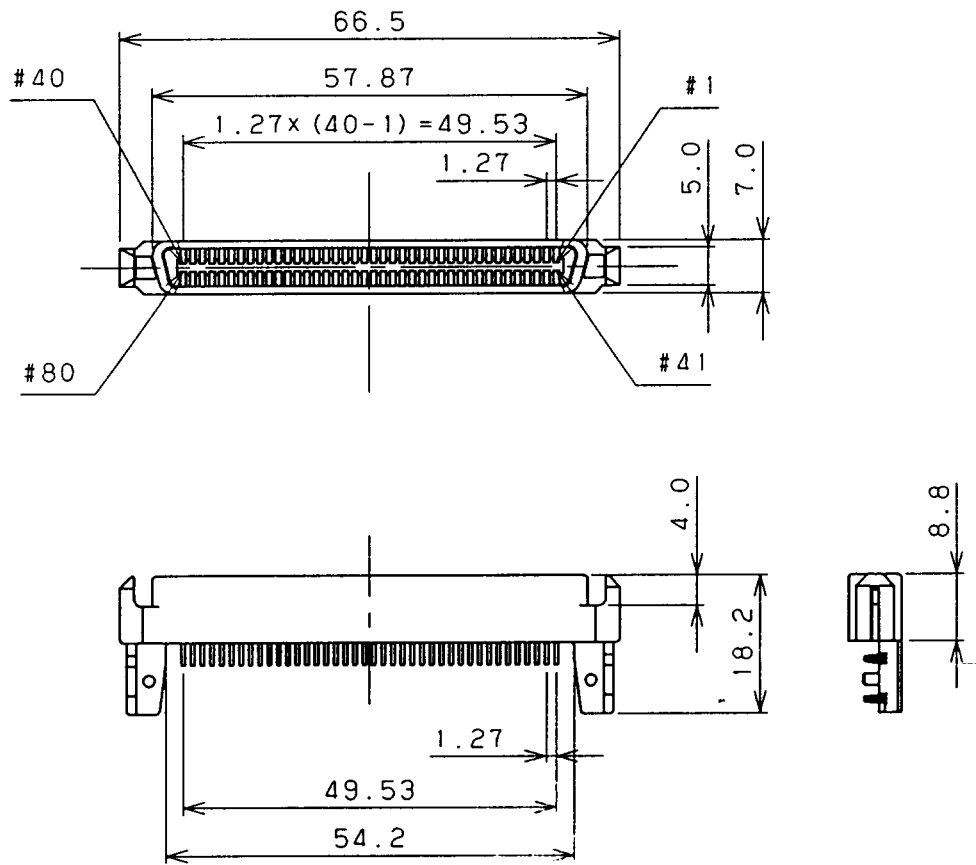


Figure 4.27 SCA2 type SCSI connector

(3) Connector for external operator panel

- Connector external operator panel

A connector for the external operator panel are provided on the IDD as shown in Figure 4.28. This allows to place externally LED on the front panel, or an SCSI ID setting switch.

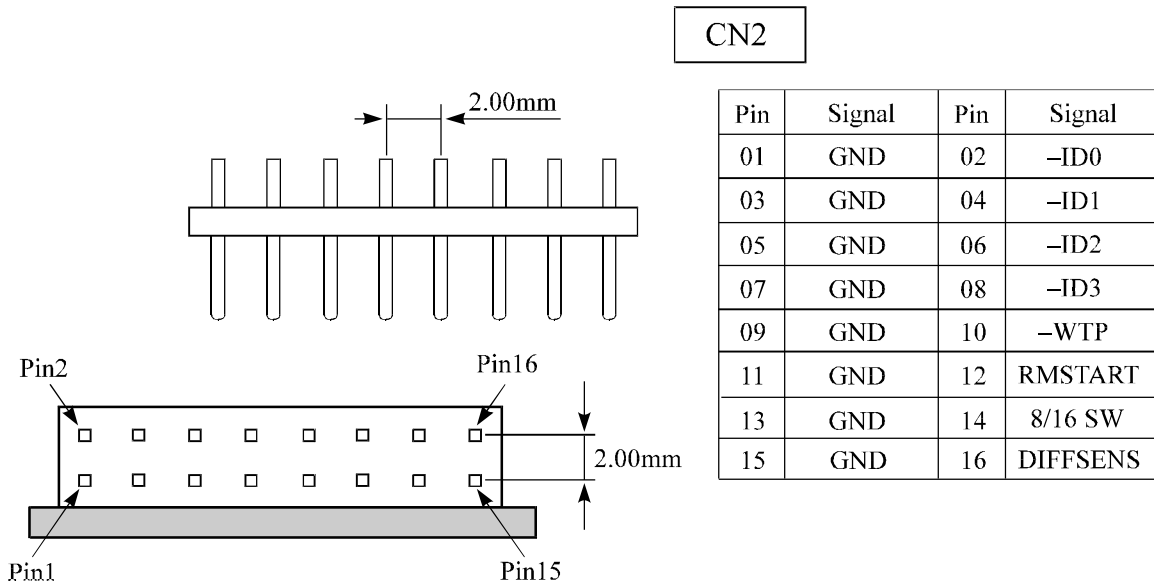


Figure 4.28 External operator panel connector (CN2)

(4) External operator panel connector Signals

- a. 16-bit SCSI -ID3, -ID2, -ID1, -ID0: Input signals (CN2-02, 04, 06, 08 pin)

These signals are used for providing switches to set the SCSI ID of the IDD externally. Figure 4.29 shows the electrical requirements.

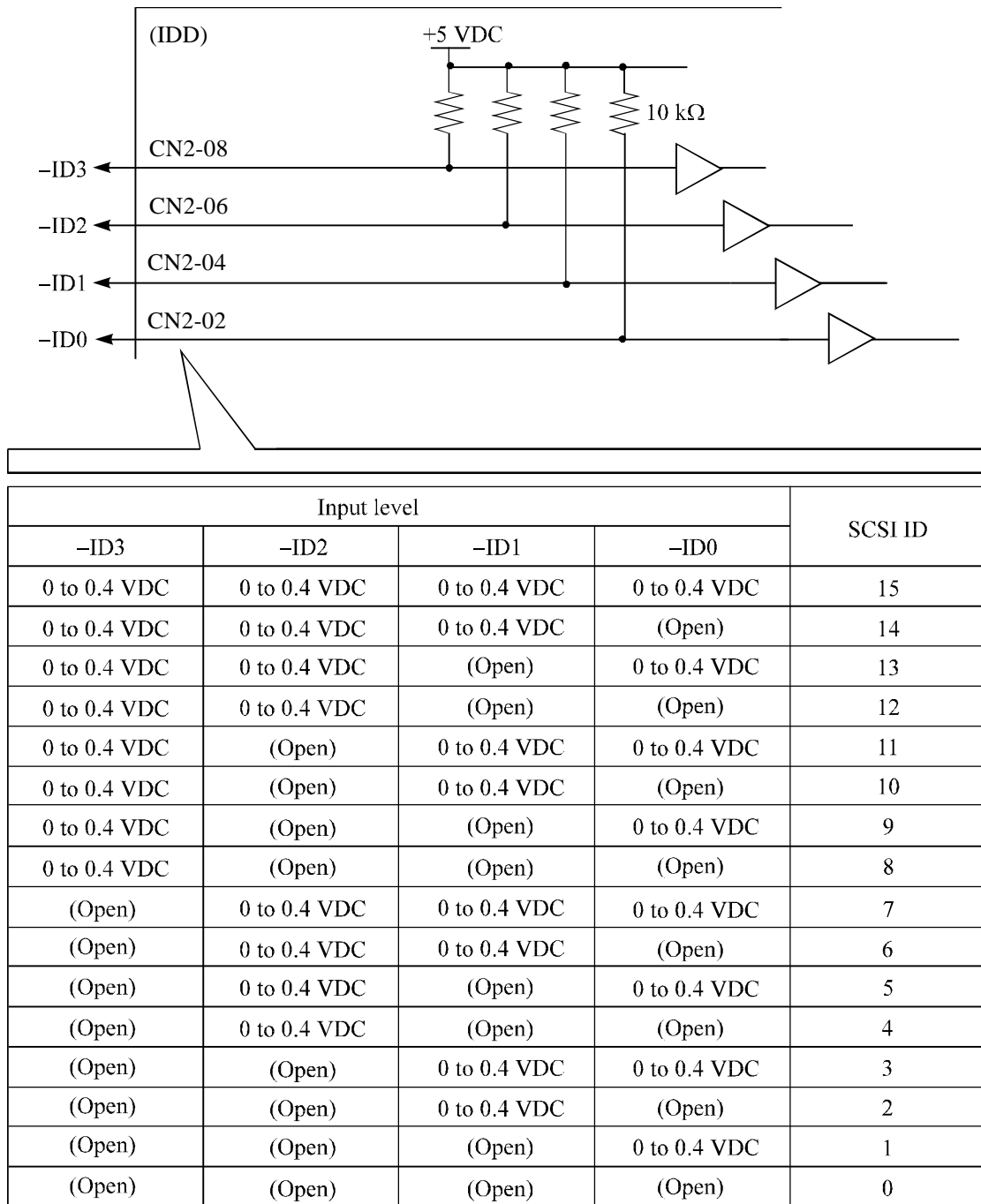


Figure 4.29 16-bit SCSI ID external input

b. –WTP: Input signal (CN2-9, 10 pin)

By connecting the CN2-10 pins to the GND, writing operations into the IDD disc media are set to disable.

4.3.3 Cable connector requirements

Table 4.2 lists the recommended components cable connection.

Table 4.2 Recommended components for connection

Applicable model		Name	Par number	Manufacturer	Reference (Figures 4.25 and 4.30)
LP/MP	SCSI cable (CN1)	Cable socket (closed-end type)	786090-7	AMP	S1
		Signal cable	—	—	
	Power supply cable (CN1)	Cable socket housing	1-480424-0	AMP	S2
		Contact	60619-4		
		Cable	60617-4		
	External operator panel (CN1)	Cable socket housing	FCN-723J012/2M	Fujitsu Limited	S3
		Contact	FCN-723J-G/AM	Fujitsu Limited	
		Cable	AWG26 to 34		
	External operator panel (CN2)	Cable socket housing	FCN-723J016/2M	Fujitsu Limited	S4
		Contact	FCN-723J-G/AM	Fujitsu Limited	
		Cable	AWG28		
	LC/MC	SCSI connector (CN1)	Connector	787311-1	AMP

(1) SCSI cable

See Section 1.3, “Physical Requirements”, and Section 1.4, “Electrical Requirements”, in SCSI Physical Interface Specifications.

(2) Power cable

IDDs must be star-connected to the DC power supply (one to one connection) to reduce the influence of load variations.

(3) DC ground

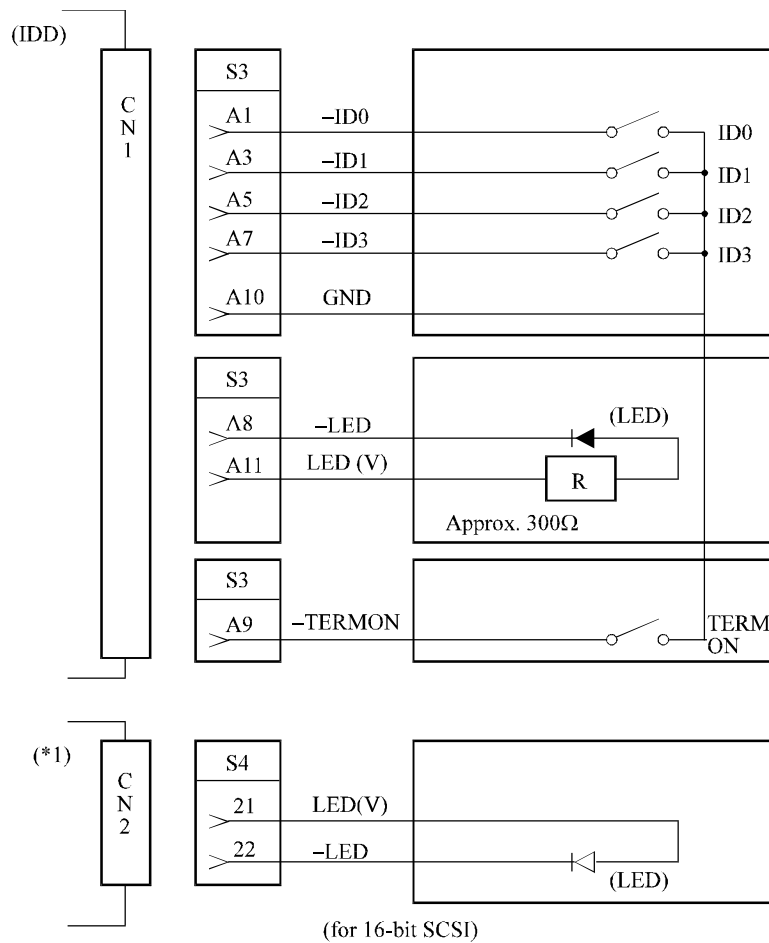
The DC ground cable must always be connected to the IDD because no fasten terminal dedicated to SG is provided with the IDD. Therefore, when SG and FG are connected in the system, it is necessary to connect SG and FG at the power supply or to connect SG of the power supply to FG of the system.

(4) External operator panel

The external operator panel is installed only when required for the system. When connection is not required, leave open the following pins in the external operator panel connector of the IDD : Pins 21, 22 and pins 01 through 08 in CN2 and pins A1 through A12 in CN1.

4.3.4 External operator panel

A recommended circuit of the external operator panel is shown in Figure 4.30. Since the external operator panel is not provided as an option, this panel must be fabricated at the user site referring to the recommendation if necessary.



(*1) For connecting the external LED to CN2.

Figure 4.30 External operator panel circuit example (LP/MP)

IMPORTANT

Do not connect the external LED to both CN1 and CN2. Connect it to either of them.

This page is intentionally left blank.

CHAPTER 5 INSTALLATION

- | |
|--|
| <ul style="list-style-type: none">5.1 Notes on Handling Drives5.2 Connections5.3 Setting Terminals5.4 Mounting Drives5.5 Connecting Cables5.6 Confirming Operations after Installation and Preparation for Use5.7 Dismounting Drives |
|--|

This chapter describes the notes on handling drives, connections, setting switches and plugs, mounting drives, connecting cables, confirming drive operations after installation and preparation for use, and dismounting drives.

5.1 Notes on Handling Drives

The items listed in the specifications in Table 2.1 must be strictly observed.

- (1) General notes
 - a) Do not give the drive shocks or vibrations exceeding the value defined in the standard because it may cause critical damage to the drive. Especially be careful when unpacking.
 - b) Do not leave the drive in a dirty or contaminated environment.
 - c) Since static discharge may destroy the CMOS semiconductors in the drive, note the following after unpacking:
 - Use an antistatic mat and body grounding when handling the drive.
 - Hold the DE when handling the drive. Do not touch PCAs except for setting.

- (2) Unpackaging
 - a) Use a flat work area. Check that the "This Side Up" sign side is up. Handle the package on soft material such as a rubber mat, not on hard material such as a desk.
 - b) Be careful not to give excess pressure to the internal unit when removing cushions.

- c) Be careful not to give excess pressure to the PCAs and interface connector when removing the drive from the antistatic bag.
 - d) Do not remove the sealing label or cover of the DE and screws.
- (3) Installation
- a) Do not attempt to connect or disconnect connections when power is on. The only pin settings that may be altered are pins 9, 10 (Write Protect) in CN2.
 - b) Do not move the drive when power is turned on or until the drive completely stops (for 30 seconds) after power is turned off.
- (4) Packaging
- a) Store the drive in an antistatic vinyl bag with a desiccant (silica gel).
 - b) It is recommended to use the same cushions and packages as those at delivery. If those at delivery cannot be used, use a package with shock absorption so that the drive is free from direct shocks. In this case, fully protect the PCAs and interface connector so that they are not damaged.
 - c) Indicate "This Side Up" and "Handle With Care" on the outside of the package so that it is not turned over.
- (5) Delivery
- a) When delivering the drive, provide packaging and do not turn it over.
 - b) Minimize the delivery distance after unpacking and avoid shocks and vibrations with cushions. For the carrying direction at delivery, use one of the mount allowable directions in Subsection 4.2.2 (vertical direction is recommended).
- (6) Storage
- a) Provide vaporproof packaging for storage.
 - b) The storage environment must satisfy the requirements specified in Subsection 2.1.3 when the drive is not operating.
 - c) To prevent condensation, avoid sudden changes in temperature.

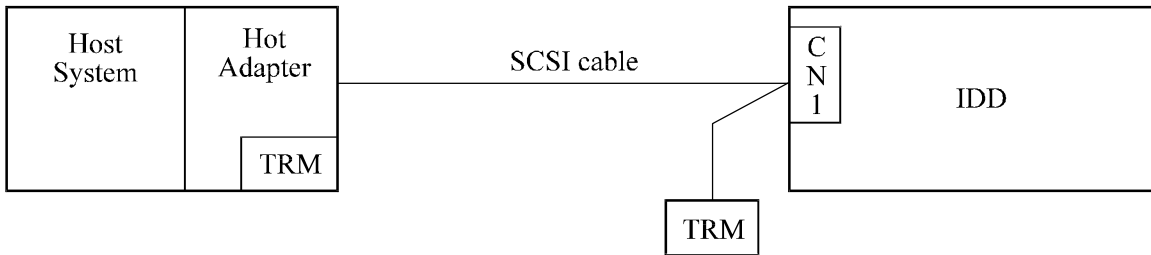
5.2 Connections

Figure 5.1 shows examples of connection modes between the host system and the IDD. For the 16-bit SCSI, up to 16 devices including the host adapter, IDD, and other SCSI devices can be connected to the SCSI bus in arbitrary combinations. Install a terminating resistor on the SCSI device connected to both ends of the SCSI cable.

See Section 4.4 for the cable connection requirements and power cable connections.

(1) Connecting one IDD

• Single-Ended type SCSI



(2) Connecting more than one IDD (single host)

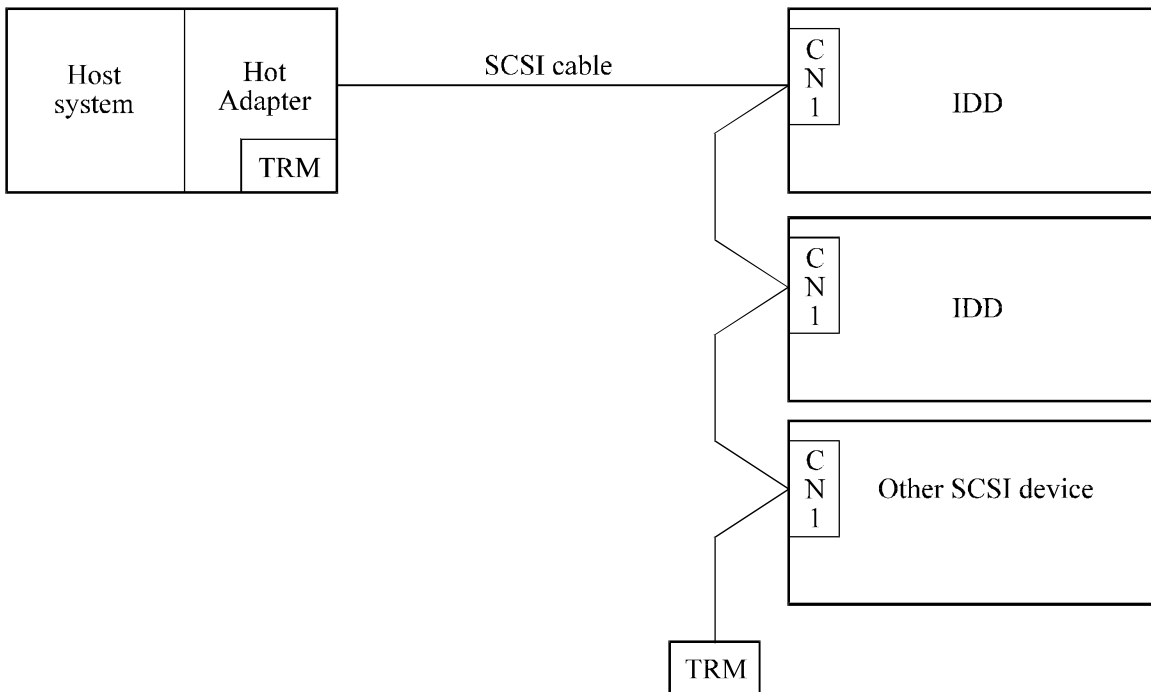


Figure 5.1 SCSI bus connections (1 of 2)

(3) Connecting more than one IDD (multi-host)

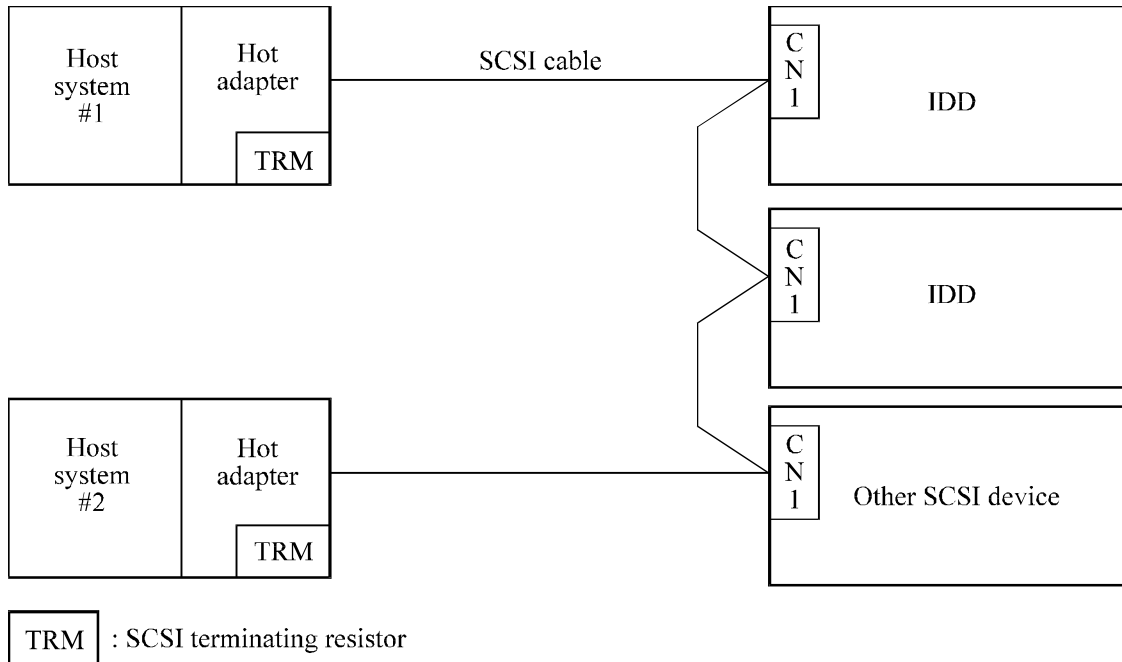


Figure 5.1 SCSI bus connections (2 of 2)

5.3 Setting Terminals

The user must set the following terminals and SCSI terminating resistor before installing the IDD in the system.

- Setting terminal: CN2

Figure 5.2 shows the setting terminal position. Figure 5.3 shows the allocation and default settings.



Data loss

1. *The user must not change the setting of terminals not described in this section. Do not change setting status set at factory shipment.*
2. *Do not change the setting of terminals except following setting pins during the power is turned on.*
 - *Write protect: CN2 9-10*
3. *To short the setting terminal, use the short plug attached when the device is shipped from the factory.*

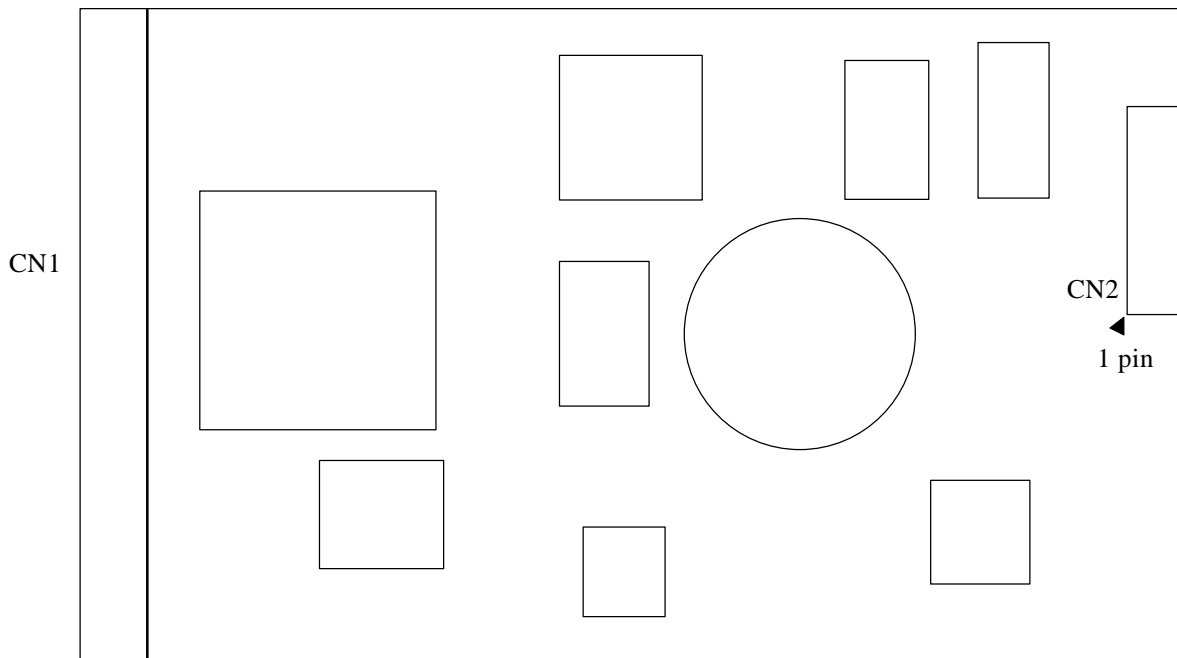


Figure 5.2 IDD setting terminals position

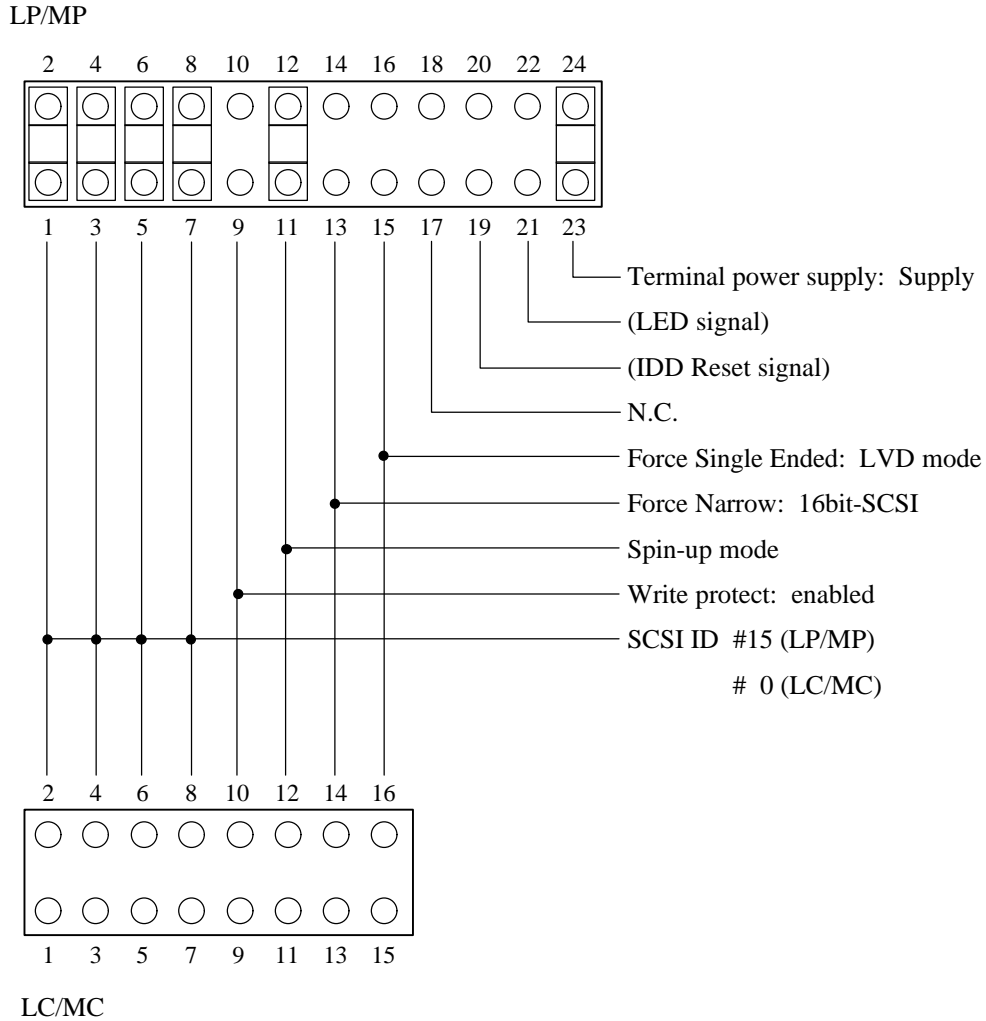


Figure 5.3 Setting terminals (CN2)

5.3.1 SCSI ID setting

Table 5.1 shows the SCSI ID setting. Refer to Figures 5.2 and 5.3 for connector positioning and allocation.

IMPORTANT

When the SCSI ID is set using the external operator panel connector CN1, all pins listed in Table 5.1 should be open. If any of pins are shorted, unexpected SCSI ID is set.

Table 5.1 SCSI ID setting (CN2)

SCSI ID	CN2			
	7-8	5-6	3-4	1-2
0	Open	Open	Open	Open
1	Open	Open	Open	Short
2	Open	Open	Short	Open
3	Open	Open	Short	Short
4	Open	Short	Open	Open
5	Open	Short	Open	Short
6	Open	Short	Short	Open
7	Open	Short	Short	Short
8	Short	Open	Open	Open
9	Short	Open	Open	Short
10	Short	Open	Short	Open
11	Short	Open	Short	Short
12	Short	Short	Open	Open
13	Short	Short	Open	Short
14	Short	Short	Short	Open
15 (*1)	Short	Short	Short	Short

*1 Set at factory shipment

IMPORTANT

1. *Set the SCSI ID so that there are no duplicates between SCSI devices on the same SCSI bus.*
2. *The priority of SCSI bus use in ARBITRATION phase is determined by SCSI ID as follows:
7 > 6 > 5 > 4 > 3 > 2 > 1 > 0 > 15 > 14 > 13 > 12 > 11 > 10 > 9 > 8*

5.3.2 Each mode setting

(1) Setting terminal power supply

Refer to Table 5.2 for controlling the supply of power from the drive to the SCSI terminal resistance power source (TERMPOW). However, this setting may not be used with SCA2 type 16 bit-SCSI (LC/MC). For information on LP/MP, refer to Figures 5.2 and 5.3.

Table 5.2 Setting SCSI terminal power supply (LP/MP)

Supply on/off of SCSI terminating resistor power from IDD	CN2 23-24
Supply off	Open
Supply on	Short (*1)

*1 Setting at factory shipment

(2) Motor start mode

Set how to control the starting of the IDD spindle motor according to Table 5.3. This setting only determines the operation mode when the power supply is turned on or the microcode is downloaded. In both modes, stopping or restarting the spindle motor can be controlled by specifying the START/STOP UNIT command.

Table 5.3 Motor start mode setting

Start timing of the spindle motor	CN2 11-12 (LP/MP)	CN2 11-12 (LC/MC)
Starting of the motor is controlled with the START/STOP UNIT command.	Open	Short
The motor is started immediately after the power supply is turned on or the microcode is downloaded.	Short (*1)	Open (*1)

*1 Setting at factory shipment

Refer to Chapter 3 of the SCSI Logical Interface Specifications for details of the START/STOP UNIT command.

(3) Write protect

When the write protect function is enabled, writing to the disk medium is disabled.

Table 5.4 Write protect setting (CN2)

Write protect	CN2 9-10
Write operation is enabled.	Open (*1)
Write operation is disable.	Short

*1 Setting at factory shipment

(4) Setting of the SCSI interface operation mode

By establishing a short-circuit between the 15 and 16 CN2 setting terminals, the SCSI interface operation mode is forcibly set to the single-ended mode. When this setup terminal is open, the IDD automatically identifies the DIFFSNS signal level on the SCSI bus and the IDD SCSI interface operation mode is set to the operation mode.

Table 5.5 Setting of the SCSI interface operation mode (CN2)

Operation mode	CN2 15-16
Follows the DIFFSNS signal level on the SCSI bus	Open *
Single-Ended mode	Short

* Set at factory shipment

(5) Setting the bus width of the SCSI interface (CN2)

By establishing a short-circuit between the 13 and 14 CN2 setting terminals, the bus width for the SCSI interface is forcibly set to the 8-bit bus mode. This setup terminal must be set in order to guarantee the physical level of the SCSI interface's upper bus (DB8-15, P1) inside the IDD only when the top-level bus (DB8-15, P1) for the IDD SCSI interface is not connected to the external part of the IDD.

Table 5.6 Setting the bus width of the SCSI interface (CN2)

Bus width	CN2 13-14
16 bit bus	Open *
8 bit bus	Short

* Set at factory shipment

5.3.3 Mode settings

In addition to the previously described settings using setting terminals, the IDD is provided with several mode settings. The mode settings are enabled by specifying the CHANGE DEFINITION command. Table 5.7 lists the mode settings and their settings at factory shipment.

Refer to Section 3.1.4 of the SCSI Logical Interface Specifications for details of the command.

Table 5.7 Default mode settings (by CHANGE DEFINITION command)

Mode setting	Contents
SCSI level	SCSI-2
SYNCHRONOUS DATA TRANSFER REQUEST message sending	Sent from IDD
UNIT ATTENTION report mode	Reported
Reselection retry count	Not restricted
WIDE DATA TRANSFER REQUEST message sending	Sent from IDD
Reselection time-out delay	250 ms
Spindle motor start delay time	0 sec (LP/MP) 12 sec × SCSI ID (LC/MC)

5.4 Mounting Drives

5.4.1 Check before mounting

Reconfirm if the setting terminals are set correctly according to Table 5.8 before mounting the drive in the system cabinet. For setting terminals location, see Section 5.3.

Table 5.8 Setting check list

Setting terminal CN2	No.	Setting contents (Check item)	Setting position	Check	Remarks
	1	SCSI ID	CN2 7 - 8 5 - 6 3 - 4 1 - 2	<input type="checkbox"/> (SCSI ID = __)	Upper bus (DB 8 to 15 PI) not connected
	2	Write protect	CN2 9 - 10	<input type="checkbox"/> Short <input type="checkbox"/> Open	
	3	Motor start mode	CN2 11 - 12	<input type="checkbox"/> Short <input type="checkbox"/> Open	
	4	Force Narrow	CN2 13 - 14	<input type="checkbox"/> Short <input type="checkbox"/> Open	
	5	Force single ended	CN2 15 - 16	<input type="checkbox"/> Short <input type="checkbox"/> Open	
	6	Terminal power supply	CN2 23 - 24	<input type="checkbox"/> Short <input type="checkbox"/> Open	LP/MP models

5.4.2 Mounting procedures

Since mounting the drive depends on the system cabinet structure, determine the work procedures considering the requirements specific to each system. The general mounting method and items to be checked are shown below.

See Subsection 4.2 for the details of requirements for installing the IDD.

- 1) With a system to which an external operator panel is mounted, if it is difficult to access the connector after the drive is mounted on the system cabinet, connect the external operator panel cable before mounting the drive.
- 2) Fix the drive in the system cabinet with four mounting screws as follows:
 - The drive has 10 mounting holes (both sides: 3 × 2, bottom: 4). Fix the drive by using four mounting holes of both sides or the bottom. (See Figure 4.9)
 - Use mounting screws whose lengths inside the drive mounting frame are 4 mm or less when the screws are tightened (see Figure 4.8).
 - When mounting the drive, be careful not to damage parts on the PCAs.
- 3) Check to ensure that the DE is not touching the frame on the system side after tightening the screws. At least 2.5mm of clearance is required between the DE and the frame. (Indicated in Figure 4.8)
- 4) When an electric driver is in use, less than low-impact device specifications must be used.

5.5 Connecting Cables

Connect the IDD and system with the following cables. See Section 4.4 for further details of the requirements for IDD connector positions and connecting cables.

- Power cable
- SCSI cable
- External operator panel cable (if required)

The general procedures and notes on connecting cables are described below. Especially, pay attention to the inserting direction of each cable connector.



Damage

1. *Check that system power is off before connecting or disconnecting cables.*
 2. *Do not connect or disconnect cables when power is on.*
- a) Connect power cable.
 - b) Connect the external operator panel (if required for system).
 - c) Connect the SCSI cable.
 - d) Fix the cables so that they do not touch the DE and PCAs, or so that the smooth flow of the cooling air in the system cabinet is assured.



Damage

1. *Be careful of the insertion directions of the SCSI connectors. With the system in which terminating resistor power is supplied via the SCSI cable, if the power is turned on, the overcurrent protection fuse of the terminating resistor power supplier may be blown or the cable may be burnt if overcurrent protection is not provided.*

When the recommended parts listed in Table 4.2 are used, inserting the cables in the wrong direction can be prevented.

2. *To connect SCSI devices, be careful of the connection position of the cable. Check that the SCSI device with the terminating resistor is the last device connected to the cable.*

5.6 Confirming Operations after Installation and Preparation for use

5.6.1 Confirming initial operations

This section describes the operation check procedures after power is turned on. Since the initial operation of the IDD depends on the setting of the motor start mode, check the initial operation by either of the following procedures.

- (1) Initial operation in the case of setting so that motor starts at powering-on
 - a) When power is turned on, the LED blinks an instant and the IDD executes initial self-diagnosis.
 - b) If an error is detected in the initial self-diagnosis, the LED blinks periodically.

Remark:

The spindle motor may or may not start rotating in this stage.

- c) When the IDD status is idle, the LED remains off (when the initiator accesses the IDD via the SCSI bus, the LED lights).
- (2) Initial operation in the case of setting so that motor starts with START/STOP command
 - a) When power is turned on, the LED blinks an instant and the IDD executes initial self-diagnosis.
 - b) If an error is detected in the initial self-diagnosis, the LED blinks.
 - c) The spindle motor does not start rotating until the START/STOP UNIT command for the start is issued. The INIT needs to issue the START/STOP UNIT command to start the spindle motor by the procedure in Subsection 5.6.2.
 - d) The disk drive enters the READY status in 60 seconds after the START/STOP UNIT command is issued. At this time, the IDD reads "system information" from the system space on the disk.
 - e) The LED blinks during command execution.
 - (3) Check items at illegal operation
 - a) Check that cables are mounted correctly.
 - b) Check that power and voltages are supplied correctly (measure them with the IDD power connection position).
 - c) Check the setting of each setting terminal. Note that the initial operation depends on the setting of the motor start mode and LED display requirements.

- d) If an error is detected in initial self-diagnosis the LED blinks. In this case, it is recommended to issue the REQUEST SENSE command from the initiator (host system) to obtain information (sense data) for error analysis.

IMPORTANT

*The LED lights during the IDD is executing a command.
However, in same commands, the lighting time is only an instant.
Therefore, it seems that the LED blinks or the LED remains off.*

5.6.2 Checking SCSI connection

When the initial operation is checked normally after power is turned on, check that the IDD is connected to the SCSI bus from the host system. Although checking the connection depends on the structure of the host system, this section describes the general procedures.

(1) **Checking procedure**

Issuing the commands and determining the end status depends on the start mode of the spindle motor and UNIT ATTENTION report mode (specified with setting terminal). Figure 5.4 shows the recommended checking procedure for the mode that the motor starts when power is turned on. Figure 5.5 shows for the mode that the motor starts by the START/STOP command. In these recommended checking procedures, following items are checked.

Note:

Following steps a) to e) correspond to a) to e) in Figures 5.4 and 5.5.

- a) Issue the TEST UNIT READY command and check that the IDD is connected correctly to the SCSI bus and the initial operation after power is turned on ended normally. The command issue period of the TEST UNIT READY command shall be more than 20 ms.
- b) To control starting of the spindle motor from the host system, issue the START/STOP UNIT command to start the spindle motor.
- c) Check the SCSI bus operations with the WRITE BUFFER and READ BUFFER commands. Use data whose data bus bits change to 0 or 1 at least once. (Example: Data with an increment pattern of X'00' to X'FF')
- d) Start the IDD self-diagnostic test with the SEND DIAGNOSTIC command and check the basic operations of the controller and disk drive.

Motor starts when power is turned on

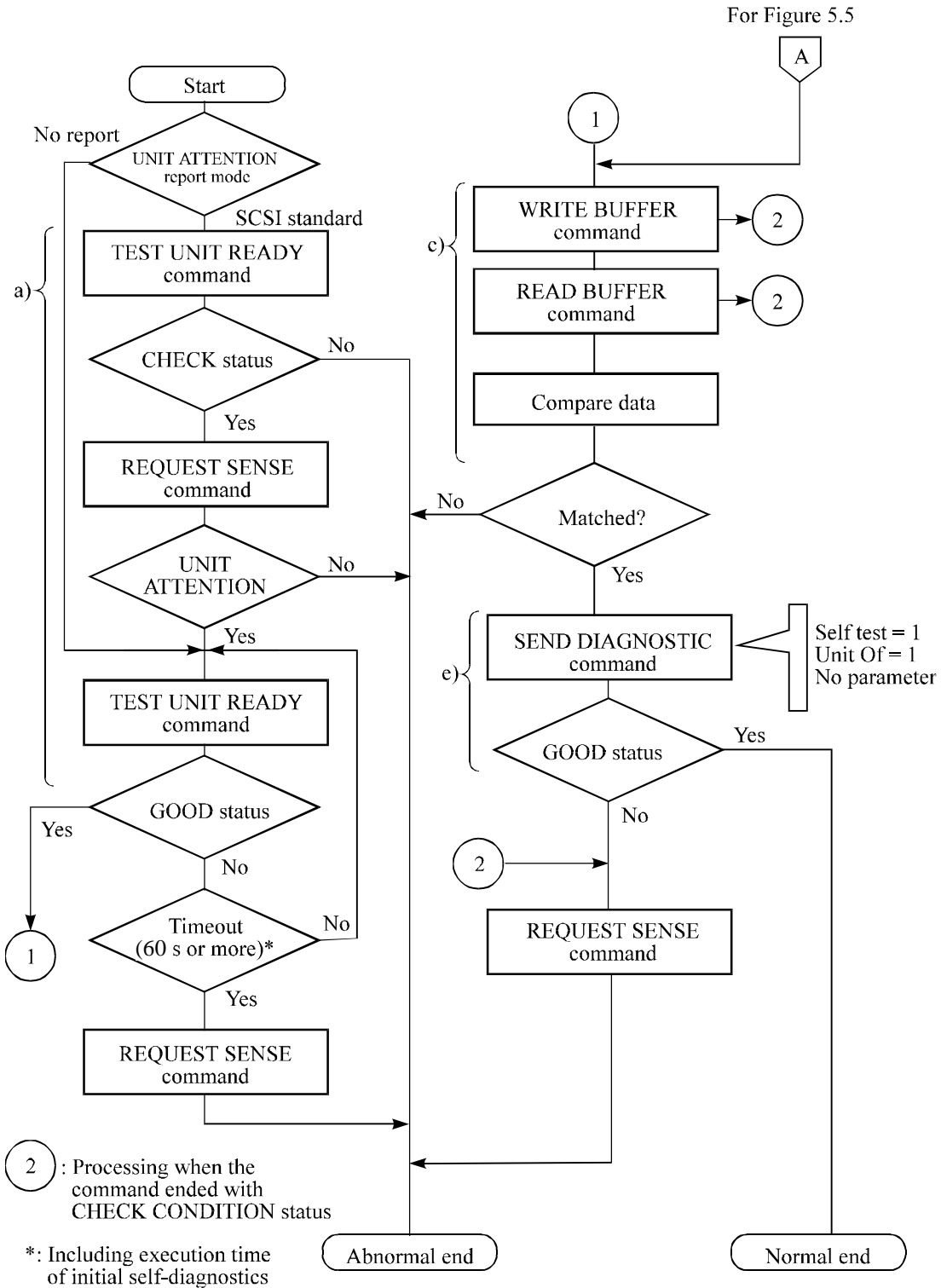
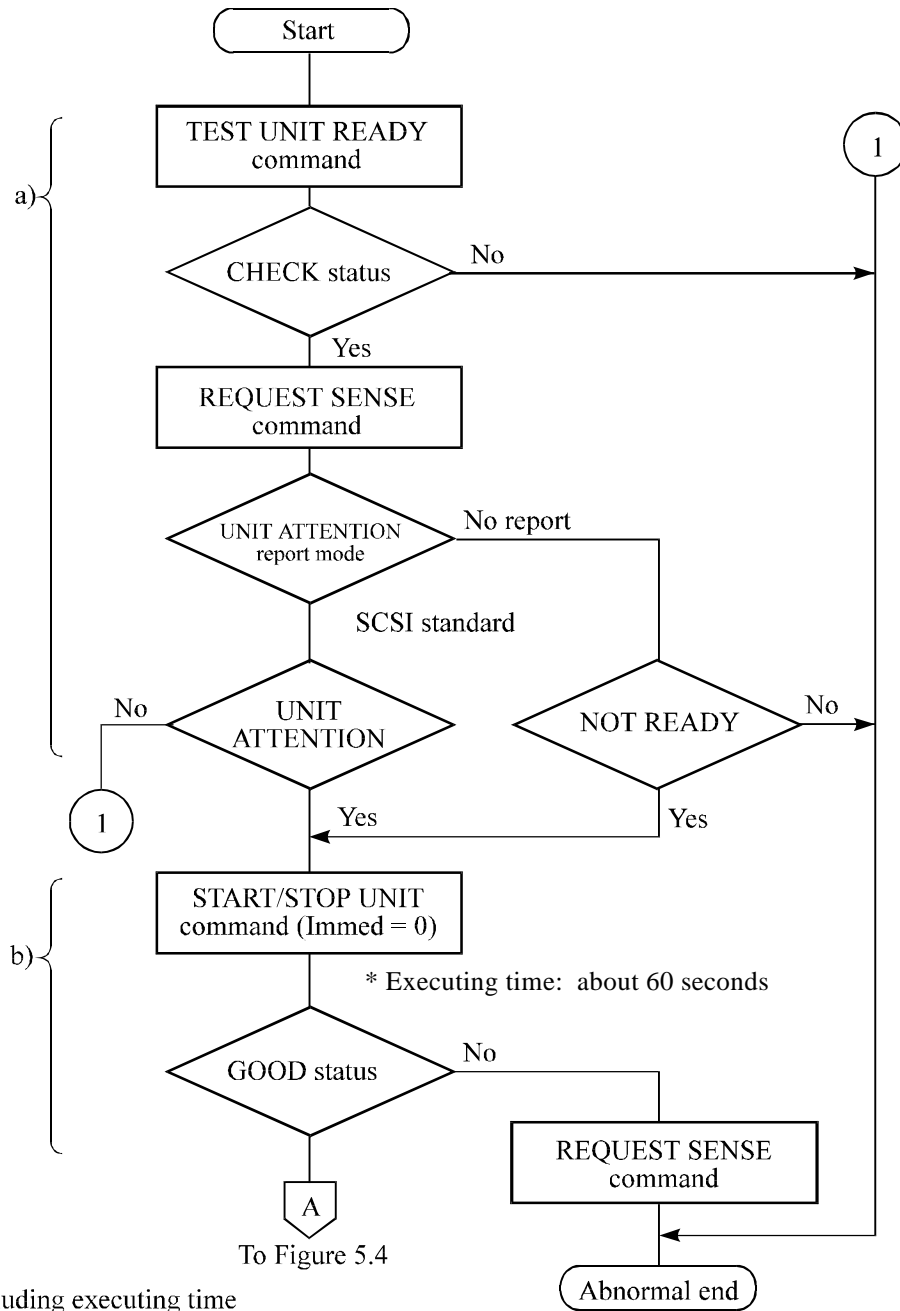


Figure 5.4 Checking the SCSI connection (A)

Motor starts by START/STOP command



*: Including executing time of initial self-diagnostics

Figure 5.5 Checking the SCSI connection (B)

- (2) Checking at abnormal end
 - a) When sense data can be obtained with the REQUEST SENSE command, analyze the sense data and retry recovery for a recoverable error. Refer to Chapter 4 of SCSI Logical Interface Specifications for further details.
 - b) Check the following items for the SCSI cable connection:
 - All connectors including other SCSI devices are connected correctly.
 - The terminating resistor is mounted on both ends of the cable.
 - Power is connected to the terminating resistor.
 - c) Check the setting of the terminals. Note that the checking procedure of SCSI connection differs depending on the setting of the motor start mode and UNIT ATTENTION report mode.

5.6.3 Formatting

Since the disk drive is formatted with a specific (default) data format for each model (part number) when shipped from the factory, the disk need not be formatted (initialized) when it is installed in the system.

However, when the system needs data attributes different from the default format, all sides of the disk must be formatted (initialized) according to the procedures below.

The user can change the following data attributes at initialization:

- Logical data block length
- Number of logical data blocks or number of cylinders in the user space
- Alternate spare area size

This section outlines the formatting at installation. Refer to Chapters 3 and 5 of SCSI Logical Interface Specifications for further details.

(1) MODE SELECT/MODE SELECT EXTENDED command

Specify the format attributes on the disk with the MODE SELECT or MODE SELECT EXTENDED command. The parameters are as follows.

a. Block descriptor

Specify the size (byte length) of the logical data block in the "data block length" field. To explicitly specify the number of logical data blocks, specify the number in the "number of data blocks" field. Otherwise, specify 0 in "number of data blocks" field. In this case, the number of logical data blocks after initialization is determined by the value specified in the format parameter (page code = 3) and drive parameter (page code = 4).

b. Format parameter (page code = 3)

Specify the number of spare sectors for each cylinder in the "alternate sectors/zone" field and specify the number of tracks for alternate cylinders (= number of alternate cylinders × number of disk drive heads) in the "alternate tracks/zone" field. It is recommended not to specify values smaller than the IDD default value in this field.

c. Drive parameter (page code = 4)

To explicitly specify the number of cylinders in the user space, specify the number in the "number of cylinders" field. Note that the number of alternate cylinders specified by the format parameter (page code = 3) is included in the number of cylinders in the user space. When the number of cylinders need not be specified, specify 0 or the default value in the "number of cylinders" field. In this case, either of the smaller value between the number of cylinders to allocate the number of logical data blocks specified in the "number of data blocks" field of the block descriptor or the maximum number of cylinders that can be used as the user space on the disk drive is allocated in the user space. When 0 is specified both in the "number of cylinders" field and the "number of data blocks" field of the block descriptor, the maximum number of cylinders that can be used as the user space on the disk drive is allocated in the user space.

(2) FORMAT UNIT command

Initialize all sides of the disk with the FORMAT UNIT command. The FORMAT UNIT command initializes all sides of the disk using the P lists, verifies data blocks after initialization, and allocates an alternate block for a defect block detected with verification. With initialization, the value "00" is written into all bytes of all logical data blocks. Only the position information of defect blocks detected with verification is registered in the G list. The specifications are as follows:

a. Specifying CDB

Specify 0 for the "FmtData" bit and the "CmpLst" bit on CDB, 000 for the "Defect List Format" field, and data pattern written into the data block at initialization for the "initializing data pattern" field.

b. Format parameter

When the values in step a. are specified with CDB, the format parameter is not needed.

5.6.4 Setting parameters

The user can specify the optimal operation mode for the user system environments by setting the following parameters with the MODE SELECT or MODE SELECT EXTENDED command:

- Error recovery parameter
- Disconnection/reconnection parameter
- Caching parameter
- Control mode parameter

With the MODE SELECT or MODE SELECT EXTENDED command, specify 1 for the "SP" bit on CDB to save the specified parameter value on the disk. This enables the IDD to operate by using the parameter value set by the user when power is turned on again. When the system has more than one INIT, different parameter value can be set for each INIT.

When the parameters are not set or saved with the MODE SELECT or MODE SELECT EXTENDED command, the IDD sets the default values for parameters and operates when power is turned on or after reset. Although the IDD operations are assured with the default values, the operations are not always optimal for the system. To obtain the best performance, set the parameters in consideration of the system requirements specific to the user.

This section outlines the parameter setting procedures. Refer to Chapter 3 of SCSI Logical Interface Specifications for further details of the MODE SELECT and MODE SELECT EXTENDED commands and specifying the parameters.

IMPORTANT

1. *At factory shipment of the IDD, the saving operation for the MODE SELECT parameter is not executed. So, if the user does not set parameters, the IDD operates according to the default value of each parameter*
2. *The model select parameter is not saved for each SCSI ID of but as the common parameter for all IDs. In the multi-INIT System, parameter setting cannot be changed for each INIT.*
3. *Once parameters are saved, the saved value is effective as long as next saving operation is executed from the INIT. For example, even if the initialization of the disk is performed by the FORMAT UNIT command, the saved value of parameters described in this section is not affected.*
4. *When the IDD, to which the saving operation has been executed on a system, is connected to another system, the user must pay attention to that the IDD operates according to the saved parameter value if the saving operation is not executed at installation.*

5. *The saved value of the MODE SELECT parameter is assumed as the initial value of each parameter after the power-on, the RESET condition, or the BUS DEVICE RESET message. The INIT can change the parameter value temporary (actively) at any timing by issuing the MODE SELECT or MODE SELECT EXTENDED command with specifying "0" to the SP bit in the CDB.*

(1) Error recovery parameter

The following parameters are used to control operations such as IDD internal error recovery:

a. Read/write error recovery parameters (page code = 1)

Parameter	Default value
• ARRE: Automatic alternate block allocation at read operation	1 (enabled)
• TB: Uncorrectable data transfer to the INIT	1 (enabled)
• EER: Immediate correction of correctable error	1 (enabled)
• PER: Report of recovered error	0 (disabled)
• DCR: Suppression of ECC error correction	0 (Correction is enabled.)
• Retry count at read operation	63
• Retry count at write operation	0
• Recovery time limit	30 sec

b. Verify error recovery parameters (page code = 7)

Parameter	Default value
• ERR: Immediate correction of recoverable error	1 (enabled)
• PER: Report of recovered error	0 (disabled)
• DTE: Stop of command processing at successful error recovery	0 (Processing is continued.)
• DCR: Suppression of ECC error correction	0 (Correction is enabled.)
• Retry count at verification	63

c. Additional error recovery parameters (page code = 21)

Parameter	Default value
• Retry count at seek error	15

Notes:

1. The user can arbitrarily specify the following parameters according to the system requirements:
 - ARRE
 - TB
 - PER
2. The user also can arbitrarily specify parameters other than the above. However, it is recommended to use the default setting in normal operations.

(2) Disconnection/reconnection parameters (page code = 2)

The following parameters are used to optimize the start timing of reconnection processing to transfer data on the SCSI bus at a read (READ or READ EXTENDED command) or write operation (WRITE, WRITE EXTENDED, or WRITE AND VERIFY command) of the disk. Refer to Chapter 2 of SCSI Logical Interface Specifications for further details.

a. Disconnection/reconnection parameters (page code = 2)

Parameter	Default value
• Buffer full ratio	20 (HEX)
• Buffer empty ratio	20 (HEX)

Notes:

1. In a system without the disconnection function, these parameters need not be specified.
2. Determine the parameter values in consideration of the following performance factors of the system:
 - Time required for reconnection processing
 - Average data transfer rate of the SCSI bus
 - Average amount of processing data specified with a command

Refer to Chapter 2 of SCSI Logical Interface Specifications for how to obtain the rough calculation values for the parameter values to be set. It is recommended to evaluate the validity of the specified values by measuring performance in an operation status under the average system load requirements.

(3) Caching parameters

The following parameters are used to optimize IDD Read-Ahead caching operations under the system environments. Refer to Chapter 2 of SCSI Logical Interface Specifications for further details.

a. Read caching parameters

	Parameter	Default value
• RCD:	Disabling Read-Ahead caching operations	0 (enabled)
• WCE:	Write Cache Enable	0 (disabled)
• MS:	Specifying the multipliers of "minimum prefetch" and "maximum prefetch" parameters	0 (Specifying absolute value)
• DISC:	Prefetch operation after track switching during prefetching	0 (inhibit)
•	Number of blocks for which prefetch is suppressed	X'FFFF'
•	Minimum prefetch	X'0000'
•	Maximum prefetch	X'00XX' (1 cache segment)
•	Number of blocks with maximum prefetch restrictions	X'FFFF'
•	Number of segments	X'4'

Notes:

1. When Read-Ahead caching operations are disabled by the caching parameter, these parameter settings have no meaning except write cache feature.
2. Determine the parameters in consideration of how the system accesses the disk. When the access form is not determined uniquely because of the processing method, the parameters can be re-set actively.
3. For sequential access, the effective access rate can be increased by enabling Read-Ahead caching operations and Write Cache feature.

(4) Control mode parameters

The following parameters are used to control the tagged queuing and error logging.

a. Control mode parameters

Parameter		Default value
• Queue algorithm modifier		0 (Ordering is executed by read command only.)
• QErr:	Resume or abort remaining suspended commands after sense pending state	0 (command is resumed)
• DQue:	Disabling tagged command queuing	0 (enabled)

5.7 Dismounting Drives

Since dismounting the drive to check the setting terminals, change the setting, or change the drive depends on the structure of the system cabinet, the work procedures must be determined in consideration of the requirements specific to the system. This section describes the general procedures and notes on dismounting the drive.

It is recommended before dismounting the drive to make sure the spindle motor completely stops after power was turned off.

- a) Remove the power cable.
- b) Remove the SCSI cable.
- c) When the external operator panel is mounted, remove the cable. If it is difficult to access the connector position, the cable may be removed after step e).
- d) Remove the DC ground cable.
- e) Remove the four mounting screws securing the drive, then remove the drive from the system cabinet.
- f) To store or transport the drive, keep it in an antistatic bag and provide packing (see Section 5.1).

CHAPTER 6 DIAGNOSTICS AND MAINTENANCE

<p>6.1 Diagnostics</p> <p>6.2 Maintenance Information</p>

This chapter describes diagnostics and maintenance information.

6.1 Diagnostics

6.1.1 Self-diagnostics

The IDD has the following self-diagnostic function. This function checks the basic operations of the IDD.

- Initial self-diagnostics
- Online self-diagnostics (SEND DIAGNOSTIC command)

Table 6.1 lists the contents of the tests performed with the self-diagnostics. For a general check of the IDD including the operations of the host system and interface, use a test program that runs on the host system (see Subsection 6.1.2).

Table 6.1 Self-diagnostic functions

Test contents	Initial self-diagnostics	SEND DIAGNOSTIC command	
		Self Test=1 Unit Offline=0	Self Test=1 Unit Offline=1
Hardware function test	○	○	○
Seek test			○ ↓
Write/read test (Cylinder for internal test)			○ ↓

Note:

○ indicates the tests to be executed and arrows show the sequence of execution.

Brief test contents of self-diagnostics are as follows.

a. Hardware function test

This test checks the basic operation of the controller section, and contains following test.

- RAM (microcode is stored)
- Peripheral circuits of microprocessor (MPU)
- Memory (RAM)
- Data buffer

b. Seek test

This test checks the positioning operation of the disk drive using several seek modes (2 points seek, 1 position sequential seek, etc.). The positioning operation is checked with confirming the physical address information by reading the ID field (LBA) from the data block on track 0 after completion of the seek operation to the target cylinder.

c. Write/read test

This test check the write/read function by using the Internal test space of the disk drive.

(1) Initial self-diagnostics

When power is turned on, the IDD starts initial self-diagnostics. The initial self-diagnostics checks the basic operations of the hardware functions.

If an error is detected in the initial self-diagnostics, the LED on the drive front panel blinks. In this status, the IDD posts the CHECK CONDITION status to all I/O operation requests other than the REQUEST SENSE command. When the CHECK CONDITION status is posted, the INIT should issue the REQUEST SENSE command. The sense data obtained with the REQUEST SENSE command details the error information detected with the initial self-diagnostics.

Even if CHECK CONDITION status and sense data are posted, the LED continues blinking. Only when the SCSI bus is reset, the BUS DEVICE RESET message is issued, or the power is turned off or re-turned on, this status can be cleared. When this status is cleared, the IDD executes the initial self-diagnosis again.

The IDD does not reply to the SCSI bus for up to 2 seconds after the initial self-diagnostics is started. After that, the IDD can accept the I/O operation request correctly, but the received command, except the executable commands under the not ready state (such as INQUIRY, START/STOP UNIT), is terminated with the CHECK CONDITION status (NOT READY [=2]/logical unit not ready [=04-00]) during the interval from the spindle motor becomes stable to the IDD becomes ready. The executable command under the not ready state is executed in parallel with the initial self-diagnostics, or is queued by the command queuing feature and is executed after completion of the initial self-diagnostics. When the command that comes under the exception condition of the command queuing is issued at that time, the IDD posts the BUSY status for the command. When the error is detected during the initial self-diagnostics, the CHECK CONDITION status is posted for all commands that were stacked during the initial self-diagnostics. For the command execution condition, refer to Section 1.4 and Subsection 1.7.4 in SCSI Logical Interface Specifications.

(2) Online self-diagnostics (SEND DIAGNOSTIC command)

The INIT can make the IDD execute self-diagnostics by issuing the SEND DIAGNOSTIC command.

The INIT specifies the execution of self-diagnostics by setting 1 for the SelfTest bit on the CDB in the SEND DIAGNOSTIC command and specifies the test contents with the UnitOfI bit.

When the UnitOfI bit on the CDB is set to 0, the IDD executes the hardware function test only once. When UnitOfI bit is set to 1, the IDD executes the hardware function test, seek (positioning) test, and data write/read test for the Internal test space only once.

a. Error recovery during self-diagnostics

During the self-diagnostics specified by the SEND DIAGNOSTIC command, when the recoverable error is detected during the seek or the write/read test, the IDD performs the error recovery according to the MODE SELECT parameter value (read/write error recovery parameter, additional error recovery parameter) which the INIT specifies at the time of issuing the SEND DIAGNOSTIC command.

PER	Operation of self-diagnostics
0	The self-diagnostics continues when the error is recovered. The self-diagnostics terminates normally so far as the unrecoverable error is not detected.
1	The self-diagnostics continues when the error is recovered. If the unrecoverable error is not detected, the consecutive tests are executed till last test but the self-diagnostics terminates with error. The error information indicates that of the last recovered error.

b. Reporting result of self-diagnostics and error indication

When all specified self-diagnostics terminate normally, the IDD posts the GOOD status for the SEND DIAGNOSTIC command.

When an error is detected in the self-diagnostics, the IDD terminates the SEND DIAGNOSTIC command with the CHECK CONDITION status. At this time only when an error is detected in the hardware function test, the LED on the front panel of the disk drive blinks.

The INIT should issue the REQUEST SENSE command when the CHECK CONDITION status is posted. The sense data collected by the REQUEST SENSE command indicates the detail information of the error detected in the self-diagnostics.

The IDD status after the CHECK CONDITION status is posted differs according to the type of the detected error.

- a) When an error is detected in the seek or write/read test, the subsequent command can be accepted correctly. When the command other than the REQUEST SENSE and NO OPERATION is issued from the same INIT, the error information (sense data) is cleared.
- b) When an error is detected in the hardware function test, the IDD posts the CHECK CONDITION status for all I/O operation request except the REQUEST SENSE command. The error status is not cleared and the LED on the front panel continues blinking even if the error information (sense data) is read. Only when the SCSI bus is reset, the BUS DEVICE RESET message is issued or the power is turned off or returned on, the status can be cleared. When this status is cleared, the IDD executes the initial self-diagnostics again (see item (1)).

Refer to Chapter 3 of SCSI Logical Interface Specifications for further details of the command specifications.



Data loss

When the SEND DIAGNOSTIC command terminates with the CHECK CONDITION status, the INIT must collect the error information using the REQUEST SENSE command. The RECEIVE DIAGNOSTIC RESULTS command cannot read out the error information detected in the self-diagnostics.

6.1.2 Test programs

The basic operations of the IDD itself can be checked with the self-diagnostic function. However, to check general operations such as the host system and interface operations in a status similar to the normal operation status, a test program that runs on the host system must be used.

The structure and functions of the test program depend on the user system requirements. Generally, it is recommended to provide a general input/output test program that includes SCSI devices connected to the SCSI bus and input/output devices on other I/O ports.

Including the following test items in the test program is recommended to test the IDD functions generally.

(1) Interface (SCSI bus) test

The operations of the SCSI bus and data buffer on the IDD are checked with the WRITE BUFFER and READ BUFFER commands.

(2) Basic operation test

The basic operations of the IDD are checked by executing self-diagnosis with the SEND DIAGNOSTIC command (see Subsection 6.1.1).

(3) Random/sequential read test

The positioning (seek) operation and read operation are tested in random access and sequential access modes with the READ, READ EXTENDED, or VERIFY command.

(4) Write/read test

By using a data block in the internal test space, the write/read test can be executed with an arbitrary pattern for a disk drive in which user data is stored.

6.2 Maintenance Information

6.2.1 Maintenance requirements

(1) Preventive maintenance

Preventive maintenance such as replacing air filters is not required.



Damage

Do not open the DE in the field because it is completely sealed.

(2) Service life

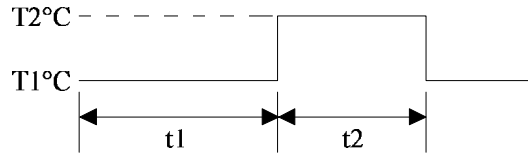
The service life under suitable conditions and treatment is as follows. The service life is depending on the environment temperature. Therefore, the user must design the system cabinet so that the average DE surface temperature is as possible as low.

- DE surface temperature: 45°C or less 5 years
- DE surface temperature: 46°C to 50°C 4 years
- DE surface temperature: 51°C to 55°C 3 years
- DE surface temperature: 56°C and more strengthen cooling power so that DE surface temperature is 55°C or less.

Even if the IDD is used intermittently, the longest service life is 5 years.

Note:

The "average DE surface temperature" means the average temperature at the DE surface throughout the year when the IDD is operating.



$$\text{Average DE surface temperature} = \frac{T1 \times t1 + T2 \times t2}{t1 + t2}$$

(3) Parts that can be replaced in the field

The PCA cannot be replaced in the field. The DE cannot be replaced in the field.

(4) Service system and repairs

Fujitsu has the service system and repair facility for the disk drive. Contact Fujitsu representative to submit information for replacing or repairing the disk drive. Generally, the following information must be included:

- a) IDD model, part number (P/N), revision number, serial number (S/N), and date of manufacturing
- b) Error status
 - Date when the error occurred
 - System configuration
 - Environmental conditions (temperature, humidity, and voltage)
- c) Error history
- d) Error contents
 - Outline of inconvenience
 - Issued commands and specified parameters
 - Sense data
 - Other error analysis information



Data loss

*Save data stored on the disk drive before requesting repair.
Fujitsu does not assume responsibility if data is destroyed during servicing or repair.*

See Section 5.1 for notes on packing and handling when returning the disk drive.

6.2.2 Revision numbers

The revision number of the disk drive is represented with a letter and a number indicated on the revision label attached to the DE. Figure 6.1 shows the revision label format.

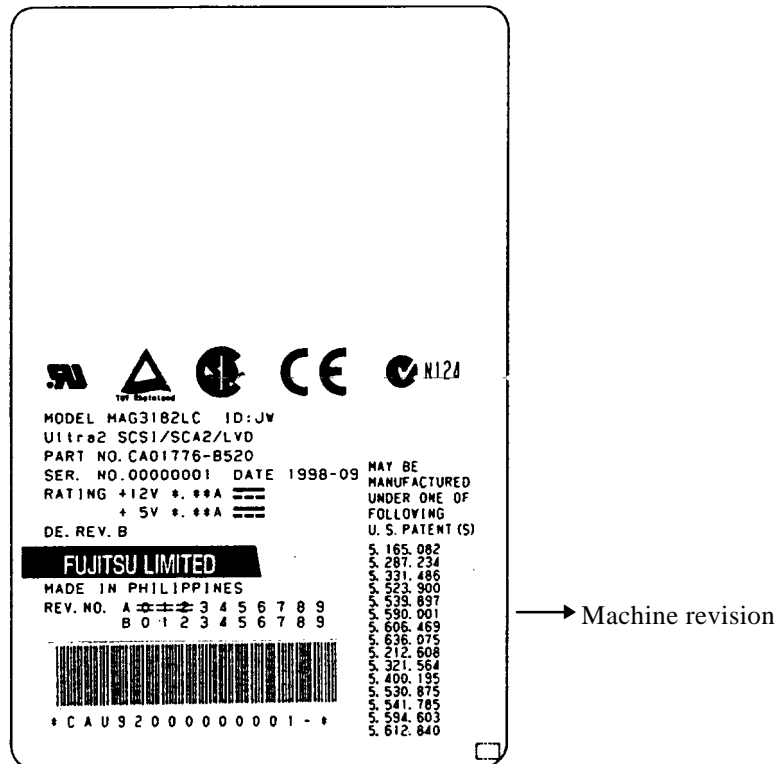


Figure 6.1 Revision label

- (1) Indicating revision number at factory shipment

When the disk drive is shipped from the factory, the revision number is indicated by deleting numbers in the corresponding letter line up to the corresponding number with = (see Figure 6.2).

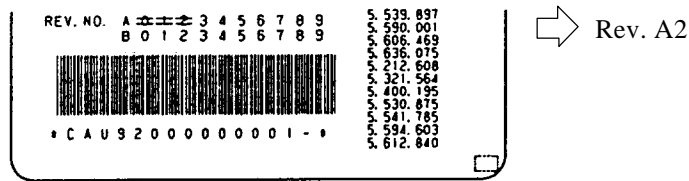
- (2) Changing revision number in the field

To change the revision number because parts are replaced or other modification is applied in the field, the new level is indicated by enclosing the corresponding number in the corresponding letter line with ○ (see Figure 6.2).

IMPORTANT

When the revision number is changed after the drive is shipped from the factory, Fujitsu issues "Engineering Change Request/Notice" in which the new revision number is indicated. When the user changes the revision number, the user should update the revision label as described in item (2) after applying the modification.

At shipment



Revising at field

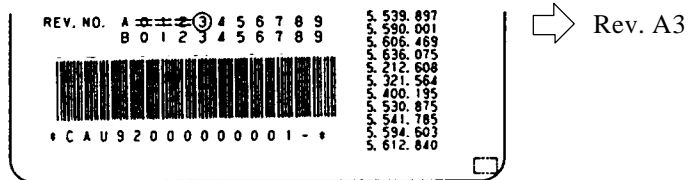


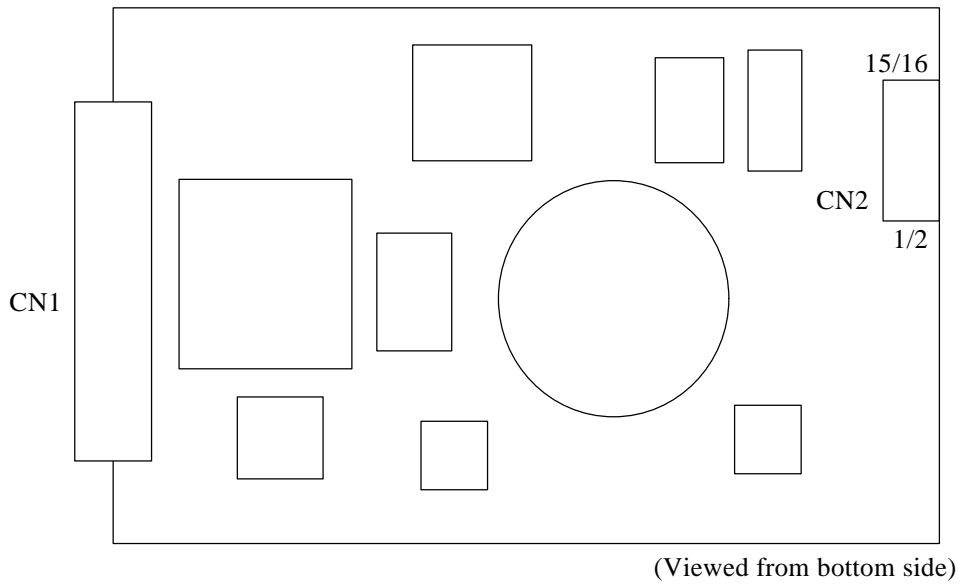
Figure 6.2 Indicating revision numbers

APPENDIX A LOCATIONS OF CONNECTORS AND SETTING TERMINALS

- A.1 Locations of Connectors and Setting Terminals
 (LC/MC models: SCA2 type LVD 16-bit SCSI)**
- A.2 Locations of Connectors and Setting Terminals
 (LP/MP models: 68 pin type LVD 16-bit SCSI)**

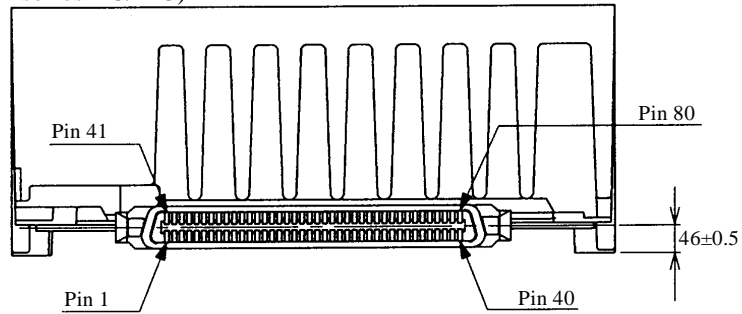
This appendix shows the locations of connectors and setting terminals.

**A.1 Locations of Connectors and Setting Terminals
(LC/MC models: SCA2 type LVD 16-bit SCSI)**



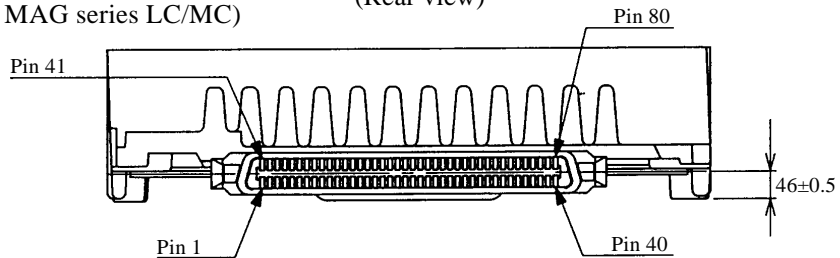
(Rear view)

(MAF series LC/MC)



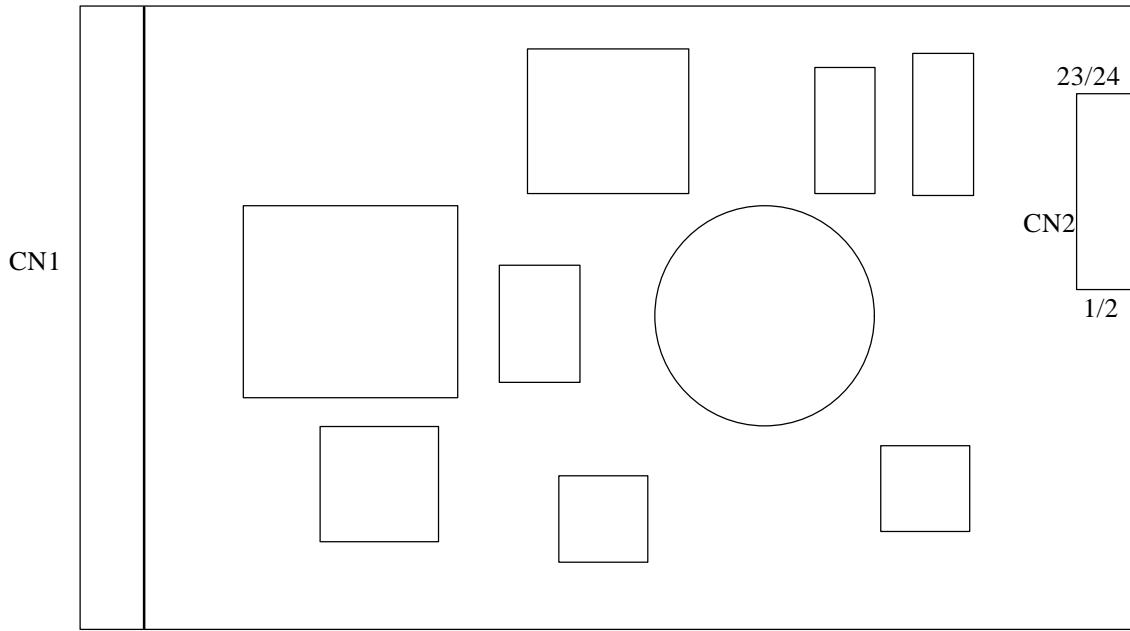
(MAE series LC,
MAG series LC/MC)

(Rear view)



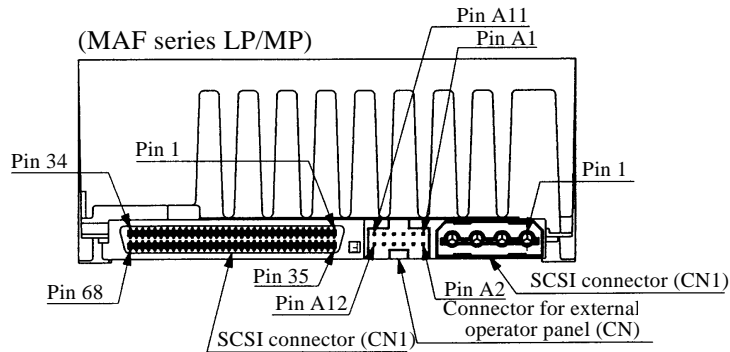
**Figure A.1 Locations of connectors and setting terminals
(LC/MC models: SCA2 type LVD 16-bit SCSI)**

**A.2 Locations of Connectors and Setting Terminals
(LP/MP models: 68 pin type LVD 16-bit SCSI)**

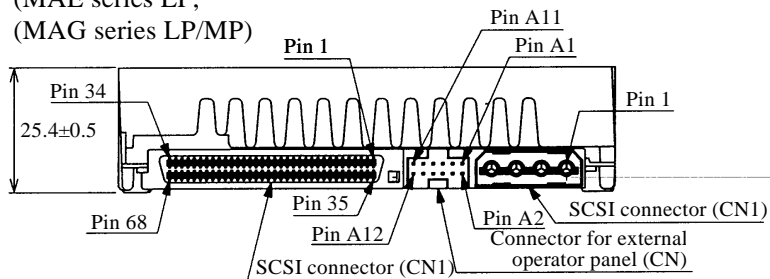


(Viewed from bottom side)

(Rear View)



(Rear View)



**Figure A.2 Locations of connectors and setting terminals
(LP/MP models: 68 pin type LVD 16-bit SCSI)**

This page is intentionally left blank.

APPENDIX B SETTING TERMINALS

B.1 Setting Terminals

This appendix describes setting terminals.

B.1 Setting Terminals

Table B.1 Setting terminal: CN2

Setting item	Pins					Setting contents
	9 - 10	7 - 8	5 - 6	3 - 4	1 - 2	
SCSI ID		(Open)	Open	Open	Open	SCSI ID #0 (Common to 8-bit and 16-bit SCSI) (*1)
		(Open)	Open	Open	Short	SCSI ID #1 (Common to 8-bit and 16-bit SCSI)
		(Open)	Open	Short	Open	SCSI ID #2 (Common to 8-bit and 16-bit SCSI)
		(Open)	Open	Short	Short	SCSI ID #3 (Common to 8-bit and 16-bit SCSI)
		(Open)	Short	Open	Open	SCSI ID #4 (Common to 8-bit and 16-bit SCSI)
		(Open)	Short	Open	Short	SCSI ID #5 (Common to 8-bit and 16-bit SCSI)
		(Open)	Short	Short	Open	SCSI ID #6 (Common to 8-bit and 16-bit SCSI)
		(Open)	Short	Short	Short	SCSI ID #7 (Common to 8-bit and 16-bit SCSI)
		Short	Open	Open	Open	SCSI ID #8 (16-bit SCSI only)
		Short	Open	Open	Short	SCSI ID #9 (16-bit SCSI only)
		Short	Open	Short	Open	SCSI ID #10 (16-bit SCSI only)
		Short	Open	Short	Short	SCSI ID #11 (16-bit SCSI only)
		Short	Short	Open	Open	SCSI ID #12 (16-bit SCSI only)
		Short	Short	Open	Short	SCSI ID #13 (16-bit SCSI only)
		Short	Short	Short	Open	SCSI ID #14 (16-bit SCSI only)
	Short	Short	Short	Short	SCSI ID #15 (16-bit SCSI only) (*2)	
Write protect	Open					Write operation is enabled.
	Short					Write operation is disabled.

* Setting at factory shipment (*1: LC/MC, *2: LP/MP)

For LP/MP models

Setting item	Pins				Setting contents
	11 - 12	13 - 14	15 - 16	23 - 24	
Motor start mode	Open				Started by the START/STOP command
	Short				Started by turning the power supply on (*)
Force Narrow		Open			Width of 16 bit bus (*)
		Short			Width of 8 bit bus
Force Single Ended			Open		Follows DIFFSNS signal level on SCSI bus (*)
			Short		Single-Ended mode
Terminating power supply				Open	Does not supply terminating resistor power to SCSI BUS
				Short	Supply terminating resistor power to SCSI BUS (*)

* Setting at factory shipment

For LC/MC models

Setting item	Pins				Setting contents
	11 - 12	13 - 14	15 - 16	23 - 24	
Motor start mode	Open				Started by turning the power supply on (*)
	Short				Started by the START/STOP command
Force Narrow		Open			Width of 16 bit bus (*)
		Short			Width of 8 bit bus
Force Single Ended			Open		Follows DIFFSNS signal level on SCSI bus (*)
			Short		Single-Ended mode

* Setting at factory shipment

Note:

See the description of Section 5.3 for details of the setting requirements and notes.

This page is intentionally left blank.

APPENDIX C CONNECTOR SIGNAL ALLOCATION

- | |
|---|
| <p>C.1 SCSI Connector Signal Allocation: SCA2 type LVD
16-bit SCSI</p> <p>C.2 SCSI Connector Signal Allocation: 68 pin type LVD
16-bit SCSI</p> |
|---|

This appendix describes the connector signal allocation.

C.1 SCSI Connector Signal Allocation: SCA2 type LVD 16-bit SCSI

Table C.1 SCSI connector (SCA2 type LVD 16-bit SCSI): CN1

Pin No.	Signal	Signal	Pin No.
01	+12V (Charge)	12V RETURN (GND)	41
02	+12V	12V RETURN (GND)	42
03	+12V	12V RETURN (GND)	43
04	+12V	12V RETURN (MATED 1)	44
05	Reserved (N.C.)	Reserved (N.C.)	45
06	Reserved (N.C.)	Reserved (N.C.)	46
07	-DB11	DB11	47
08	-DB10	DB10	48
09	-DB09	DB09	49
10	-DB08	DB08	50
11	-I/O	I/O	51
12	-REQ	REQ	52
13	-C/D	C/D	53
14	-SEL	SEL	54
15	-MSG	MSG	55
16	-RST	RST	56
17	-ACK	ACK	57
18	-BSY	BSY	58
19	-ATN	ATN	59
20	-P_CRCA	P_CRCA	60
21	-DB07	DB07	61
22	-DB06	DB06	62
23	-DB05	DB05	63
24	-DB04	DB04	64
25	-DB03	DB03	65
26	-DB02	DB02	66
27	-DB01	DB01	67
28	-DB00	DB00	68
29	-DBP1	DBP1	69
30	-DB15	DB15	70
31	-DB14	DB14	71
32	-DB13	DB13	72
33	-DB12	DB12	73
34	5V	5V RETURN (MATED 2)	74
35	5V	5V RETURN (GND)	75
36	5V (Charge)	5V RETURN (GND)	76
37	- SPINDLE SYNC	-LED	77
38	RMT START	DLYD START	78
39	SCSI ID0	SCSI ID1	79
40	SCSI ID2	SCSI ID3	80

C.2 SCSI Connector Signal Allocation: 68 pin type LVD 16-bit SCSI

Table C.2 SCSI connector (68 pin type LVD 16-bit SCSI): CN1

Pin No.	Signal	Signal	Pin No.
01	DB12	-DB12	35
02	DB13	-DB13	36
03	DB14	-DB14	37
04	DB15	-DB15	38
05	DBP1	-DBP1	39
06	DB00	-DB00	40
07	DB01	-DB01	41
08	DB02	-DB02	42
09	DB03	-DB03	43
10	DB04	-DB04	44
11	DB05	-DB05	45
12	DB06	-DB06	46
13	DB07	-DB07	47
14	P_CRCA	-P_CRCA	48
15	GND	GND	49
16	GND	GND	50
17	TERMPWR*	TERMPWR*	51
18	TERMPWR*	TERMPWR*	52
19	(Reserved)	(Reserved)	53
20	GND	GND	54
21	ATN	-ATN	55
22	GND	GND	56
23	BSY	-BSY	57
24	ACK	-ACK	58
25	RST	-RST	59
26	MSG	-MSG	60
27	SEL	-SEL	61
28	C/D	-C/D	62
29	REQ	-REQ	63
30	I/O	-I/O	64
31	DB08	-DB08	65
32	DB09	-DB09	66
33	DB10	-DB10	67
34	DB11	-DB11	68

*1 Power supply for the terminating resistor

This page is intentionally left blank.

APPENDIX D MODEL NAMES AND PRODUCT NUMBERS

D.1 Model Names and Product Numbers
--

This appendix lists model names (types) and product numbers.

D.1 Model Names and Product Numbers

Table D.1 MAE, MAF and MAG series model names and product numbers

Model name (type)	SCSI type	Data block length (at factory shipment)	Total storage capacity (user area)	Ultra SCSI	Mounting screw	Part number	Remarks
MAF3364LP	68-pin, LVD	512B	36.4 GB	○	#6-32UNC	CA01776-B950	1.6-inch height 10,025 rpm 10 disks 19 heads
MAF3364LC	SCA2, LVD			○		CA01776-B920	
MAF3364MP	68-pin, LVD	512B	36.4 GB	○	#6-32UNC	CA05747-B950	1.6-inch height 10,025 rpm 10 disks 19 heads
MAF3364MC	SCA2, LVD			○		CA05747-B920	
MAE3182LP	68-pin, LVD	512B	18.2 GB	○	#6-32UNC	CA05348-B450	1-inch height 7,200 rpm 4 disks 8 heads
MAE3182LC	SCA2, LVD			○		CA05348-B420	
MAE3091LP	68-pin, LVD	512B	9.1 GB	○	#6-32UNC	CA05348-B250	1-inch height 7,200 rpm 2 disks 4 heads
MAE3091LC	SCA2, LVD			○		CA05348-B220	
MAG3182LP	68-pin, LVD	512B	18.2 GB	○	#6-32UNC	CA01776-B550	1.6-inch height 10,025 rpm 5 disks 10 heads
MAG3182LC	SCA2, LVD			○		CA01776-B520	
MAG3182MP	68-pin, LVD	512B	18.2 GB	○	#6-32UNC	CA05747-B550	1-inch height 10,025 rpm 5 disks 10 heads
MAG3182MC	SCA2, LVD			○		CA05747-B520	
MAG3091LP	68-pin, LVD	512B	9.1 GB	○	#6-32UNC	CA01776-B350	1-inch height 10,025 rpm 3 disks 5 heads
MAG3091LC	SCA2, LVD			○		CA01776-B320	
MAG3091MP	68-pin, LVD	512B	9.1 GB	○	#6-32UNC	CA05747-B350	1-inch height 10,025 rpm 3 disks 5 heads
MAG3091MC	SCA2, LVD			○		CA05747-B320	

Note:

Only above models are available currently.

SE: Single-ended

MAx3xxxLC uses SCA-2 type connector.

Index

16-bit SCSI 1-2, 4-16
8-bit SCSI 1-2

A

AC noise filter 4-15
Actuator 1-9
Additional error recovery parameters 5-19
Addressing of peripheral device 1-11
Air circulation 1-9
Air pressure adjustment hole 4-12
Allowable input current 4-13
Allowable input voltage 4-13
Alternate area 3-11
Alternate block allocation 3-12, 3-13, 3-14
Alternate cylinder 3-5
Alternate sector treatment 3-12
Alternate spare area 3-5
Atitute 2-4
Automatic alternate block allocation 3-16
Automatic alternate block reassignment 1-4
Average DE surface temperature 2-6

B

BCRC 3-9
Basic operation test 6-5
Block address of user space 3-11
Block descriptor 5-16
Breather filter 1-9

C

CE space 3-5
CN1 4-16, C-2, C-3
CSS 1-8
Cable connection 4-23
Cable connection requirements 4-23
Caching parameters 5-21
Changing revision number at factory shipment 6-7
Check before mounting 5-10
Check items at illegal operation 5-12
Checking SCSI connection 5-13, 5-14, 5-15
Checking at abnormal end 5-16
Checking procedure 5-13
Command queuing feature 1-3
Compactness 1-2
Confirming Operations after Installation for use 5-12
Confirming initial operations 5-12

Connection requirements 4-16
Connections 5-3
Connector signal allocation C-1, C-2
Connectors of terminals location 4-16, 4-24
Contact start/stop 1-8
Continuous block processing 1-3
Control mode parameters 5-21
Controller circuit 1-9
Current waveform 4-13
Cylinder configuration 3-1, 3-2
Cylinder skew 3-7

D

D list 3-12
DC ground 4-28
DE 1-9
Data field 3-9
Data format 3-1
Data security at power-failure 2-6
Data space 3-1
Default 5-9
Defect Management 3-12
Defect list 3-12
Defective block slipping 1-4
Delivery 5-2
Diagnosis 1-4
Diagnostics 6-1
Diagnostics and maintenance 6-1
Disconnecting drives 5-22
Disconnection 5-20
Disk configuration 1-8
Disk enclosure 1-9
Disks 1-8
Drive parameter 5-17

E

ECC 3-9
Environmental requirements 2-4
Environmental specifications 2-4
Environmental temperature 4-10
Error indication of self-diagnostics 6-3
Error rate 2-5
Error recovery 1-4
Error recovery during self-diagnostics 6-3
Error recovery parameters 5-19
External dimensions 4-1, 4-2, 4-3, 4-4, 4-5, 4-6, 4-7
External magnetic field 4-11

External operator panel 4-28, 4-29
External operator panel circuit example 4-29
External operator panel connector 4-18, 4-19
External operator panel connector signals
4-20

F

FG 4-29
FORMAT UNIT command 5-17
Format capacity 3-10
Format parameter 5-17
Function specifications 2-2

G

G list 3-12
G1 3-8
Gaps 3-8
General description 1-1
General notes 5-1

H

Hardware function test 6-2
Head configuration 1-8
Heads 1-8
High speed data transfer 1-2
High speed positioning 1-4
Humidity 2-4

I

Indicating revision number 6-7
Initial self-diagnostics 6-2
Input signal 4-20
Installation 5-1, 5-2
Installation requirements 4-1
Interface connector 4-17
Interface test 6-5
Internal test space 3-4

L

LBA 3-8
LUN 1-11
Large capacity 1-4
Leak magnetic flux 4-11
Limitation of side-mounting 4-9
Location of connector A-2, A-3
Logical data block addressing 3-11
Low noise 1-5
Low power consumption 1-5
Low vibration 1-5

M

MODE SELECT EXTENDED command 5-18
MODE SELECT command 5-18
MR 1-8
MTBF 2-5
MTTR 2-5
Magnet - Resistive 1-8
Maintenance information 6-5
Maintenance requirements 6-5
Microprocessing unit 1-9
Mode setting 5-8
Mode settings 5-9
Model name 2-1, D-1, D-2
Motor start mode 5-8
Motor start mode setting 5-8
Mounting drives 5-10
Mounting frame structure 4-8
Mounting orientation 4-8
Mounting procedure 5-10
Mounting requirements 4-1

N

Noise filter 4-15
Notes on mounting 4-8

O

Online self-diagnostics 6-3
Outer view 1-5, 1-6, 1-7
Output signal 4-21
Output signal for external LED 4-22

P

PAD 1 3-9
PAD 2 3-9
PAD 3 3-9
PLO sync 3-8
EPR4ML 1-9
Packaging 5-2
Partial response class 4 maximum likelihood
1-9
Parts that can be replaced in the field 6-6
Physical sector allocation 3-6
Positioning error rate 2-5
Power cable 4-28
Power on/off sequence 4-13, 4-14
Power requirements 2-4, 4-13
Power supply 4-17
Power supply connector 4-17, 4-25
Prefetches 1-3
Preparing after Installation for use 5-12
Preventive maintenance 6-5

Product number 2-1
Programmable data block length 1-4
Programmable multi-segment data buffer 1-3

R

Random read test 6-5
Read circuit 1-9
Read-ahead cache feature 1-3
Read/write error recovery parameter 5-19
Recirculation filter 1-9
Recommended components for connection
4-23, 4-28
Reconnection parameter 5-20
Release function 1-3
Reliability 2-5
Reporting result of self-diagnostics 6-3
Reserve function 1-3
Revision label 6-7
Revision numbers 6-7

S

SA space 3-4
SB 3-8
SCA2 type SCSI model 4-24
SCSI ID 1-11
SCSI ID external input 4-20
SCSI bus configuration 1-10
SCSI bus connection 5-3
SCSI bus test 6-5
SCSI connector 4-17, 4-25
SCSI function specifications 2-7
SCSI/CCS standard 1-2
SG 4-29
SG terminal 4-18
Sector format 3-8
Sector slip treatment 3-12
Seek test 6-2
Self-diagnostics 6-1
Sequential read test 6-5
Sequential starting of spindle motor 4-15
Service clearance area 4-11
Service life 2-6, 6-5
Service system and repairs 6-6
Setting SCSI terminal 5-7
Setting SCSI terminal power supply 5-7
Setting check list 5-10
Setting parameters 5-18
Setting terminals 5-5, 5-6, B-1, B-2

Setting terminals position 5-5
Shock 2-4
Spare sector 3-5
Specifications 2-1
Specifying CDB 5-17
Spindle motor 1-9
Standard features 1-2
Start/Stop of spindle motor 1-4
Storage 5-2
Structure 1-5
Surface temperature check point 4-10
Surface temperature measurement points 4-10
Sync byte 3-8
System configuration 1-10
System space 3-4

T

TERMON 4-28
Temperature 2-4
Terminator on 4-28
Test programs 6-4
Track capacity 3-3
Track format 3-6
Track skew 3-7

U

Unrecoverable error rate 2-5
User space 3-4

V

Verify error recovery parameters 5-19
Vibration 2-4

W

Wide range 1-5
Write circuit 1-9
Write protect 5-8
Write protect setting 5-8
Write/read test 6-2

Z

Zone layout 3-3

Comments concerning this manual can be directed to one of the following addresses:

FUJITSU LIMITED

Business Planning
Solid Square East Tower
580 Horikawa-cho, Saiwai-ku, Kawasaki,
210-0913, Japan
TEL: 81-44-540-4056
FAX: 81-44-540-4123

FUJITSU COMPUTER PRODUCTS OF AMERICA, INC.

2904 Orchard Parkway, San Jose,
California 95134-2009, U.S.A.
TEL: 1-408-432-6333
FAX: 1-408-432-3908

FUJITSU CANADA INC.

2800 Matheson Blvd. East, Mississauga, Toronto,
Ontario L4W 4X5, CANADA
TEL: 1-905-602-5454
FAX: 1-905-602-5457

FUJITSU EUROPE LIMITED

2, Longwalk Road, Stockley Park, Uxbridge,
Middlesex UB11 1AB, ENGLAND
TEL: 44-81-573-4444
FAX: 44-81-573-2643

FUJITSU DEUTSCHLAND GmbH

Frankfurter Ring 211, 80807 München, GERMANY
TEL: 49-89-323780
FAX: 49-89-32378100

FUJITSU NORDIC AB

Kung Hans Väg 12, S-192 68 Sollentuna, SWEDEN
TEL: 46-8-626-4500
FAX: 46-8-626-4588

FUJITSU ITALIA S.p.A.

Via Nazario Sauro, 38 20099 Sesto S. Giovanni (MI), ITALY
TEL: 39-2-26294-1
FAX: 39-2-26294-201

FUJITSU FRANCE S.A.

I, Place des Etas-Unis, SILIC 310,
94588 Rungis Cedex, FRANCE
TEL: 33-1-41-80-38-80
FAX: 33-1-41-80-38-66

FUJITSU ICL ESPAÑA S.A.

Almagro 40, 28010 Madrid, SPAIN
TEL: 34-91-681-8100
FAX: 34-91-681-8125

FUJITSU AUSTRALIA LIMITED

2 Julius Avenue (Cnr Delhi Road) North Ryde N.S.W. 2113,
AUSTRALIA
TEL: 61-2-9776-4555
FAX: 61-2-9776-4556

FUJITSU HONG KONG LTD.

Room 2521, Sun Hung Kai Centre, 30 Harbour Road, HONG
HONG
TEL: 852-2827-5780
FAX: 852-2827-4724

FUJITSU KOREA LTD.

Coryo Finance Center Bldg, 23-6, YoulDo-Dong,
Young DungPo-Gu, Seoul, Republic of KOREA
TEL: 82-2-3787-6000
FAX: 82-2-3787-6070

FUJITSU COMPUTERS (SINGAPORE) PTE. LTD

20 Science Park Road #03-01,
TELETECH PARK SINGAPORE SCIENCE PARK II,
Singapore 117674
TEL: 65-777-6577
FAX: 65-771-5499

FUJITSU TAIWAN LTD.

8F, Hun Tai Center, 168-170, Tun Hwa North Road,
1st Sec., Taipei, TAIWAN
TEL: 886-2-545-7700
FAX: 886-2-717-4644

FUJITSU SYSTEMS BUSINESS (MALAYSIA) SDN. BHD.

Fujitsu Plaza, 1A, Jalan Tandang 204, P.O. Box 636 Pejabat Pos
Jalan Sultan
46770 Petaling Jaya, Selangor Darul Ehsan, Malaysia
TEL: 60-3-793-3888
FAX: 60-3-793-0888

FUJITSU SYSTEMS BUSINESS (THAILAND) LTD.

12th Fl., Olympia Thai Tower, 444 Rachadapisek Road,
Samsennok, Huay Kwang, Bangkok 10320, Thailand
TEL: 66-2-512-6066
FAX: 66-2-512-6068

FUJITSU

Free Manuals Download Website

<http://myh66.com>

<http://usermanuals.us>

<http://www.somanuals.com>

<http://www.4manuals.cc>

<http://www.manual-lib.com>

<http://www.404manual.com>

<http://www.luxmanual.com>

<http://aubethermostatmanual.com>

Golf course search by state

<http://golfingnear.com>

Email search by domain

<http://emailbydomain.com>

Auto manuals search

<http://auto.somanuals.com>

TV manuals search

<http://tv.somanuals.com>