

C141-E269-01EN

**MHY2200BS, MHY2160BS, MHY2120BS,  
MHY2100BS, MHY2080BS, MHY2060BS, MHY2040BS**

**DISK DRIVES**

**PRODUCT/MAINTENANCE MANUAL**

The Fujitsu logo, consisting of the word "FUJITSU" in a bold, sans-serif font with a stylized infinity symbol above the "I".

## **FOR SAFE OPERATION**

### **Handling of This Manual**

This manual contains important information for using this product. Read thoroughly before using the product. Use this product only after thoroughly reading and understanding especially the section "Important Alert Items" in this manual. Keep this manual handy, and keep it carefully.

FUJITSU makes every effort to prevent users and bystanders from being injured or from suffering damage to their property. Use the product according to this manual.

### **IMPORTANT NOTE TO USERS**

**READ THE ENTIRE MANUAL CAREFULLY BEFORE USING THIS PRODUCT.  
INCORRECT USE OF THE PRODUCT MAY RESULT IN INJURY OR DAMAGE TO  
USERS, BYSTANDERS OR PROPERTY.**

While FUJITSU has sought to ensure the accuracy of all information in this manual, FUJITSU assumes no liability to any party for any damage caused by any error or omission contained in this manual, its updates or supplements, whether such errors or omissions result from negligence, accident, or any other cause. In addition, FUJITSU assumes no liability with respect to the application or use of any product or system in accordance with the descriptions or instructions contained herein; including any liability for incidental or consequential damages arising therefrom. **FUJITSU DISCLAIMS ALL WARRANTIES REGARDING THE INFORMATION CONTAINED HEREIN, WHETHER EXPRESSED, IMPLIED, OR STATUTORY.**

FUJITSU reserves the right to make changes to any products described herein without further notice and without obligation.

This product is designed and manufactured for use in standard applications such as office work, personal devices and household appliances. This product is not intended for special uses (atomic controls, aeronautic or space systems, mass transport vehicle operating controls, medical devices for life support, or weapons firing controls) where particularly high reliability requirements exist, where the pertinent levels of safety are not guaranteed, or where a failure or operational error could threaten a life or cause a physical injury (hereafter referred to as "mission-critical" use). Customers considering the use of these products for mission-critical applications must have safety-assurance measures in place beforehand. Moreover, they are requested to consult our sales representative before embarking on such specialized use.

The contents of this manual may be revised without prior notice.

The contents of this manual shall not be disclosed in any way or reproduced in any media without the express written permission of Fujitsu Limited.

All Rights Reserved, Copyright © FUJITSU LIMITED 2007

# Revision History

(1/1)

Edition	Date	Revised section (*1) (Added/Deleted/Altered)	Details
01	2007-07-30		

\*1 Section(s) with asterisk (\*) refer to the previous edition when those were deleted.

This page is intentionally left blank.

# Preface

This manual describes MHY2200BS, MHY2160BS, MHY2120BS, MHY2100BS, MHY2080BS, MHY2060BS, MHY2040BS model of the MHY Series, 2.5-inch hard disk drives. These drives have a built-in controller that is compatible with the Serial-ATA interface.

This manual describes the specifications and functions of the drives and explains in detail how to incorporate the drives into user systems. This manual assumes that the reader has a basic knowledge of hard disk drives and their implementations in computer systems.

This manual consists of seven chapters and sections explaining the special terminology and abbreviations used in this manual:

## Overview of Manual

### **CHAPTER 1    Device Overview**

This chapter gives an overview of the disk drive and describes their features.

### **CHAPTER 2    Device Configuration**

This chapter describes the internal configurations of the disk drive and the configuration of the systems in which they operate.

### **CHAPTER 3    Installation Conditions**

This chapter describes the external dimensions, installation conditions, and switch settings of the disk drive.

### **CHAPTER 4    Theory of Device Operation**

This chapter describes the operation theory of the disk drive.

### **CHAPTER 5    Interface**

This chapter describes the interface specifications of the disk drive.

### **CHAPTER 6    Operations**

This chapter describes the operations of the disk drive.

### **CHAPTER 7    Maintenance and Diagnosis**

This chapter explains the maintenance requirements, operation verification, troubleshooting, and removal/replacement of the disk drives.

### **Glossary**

The glossary describes the technical terms that need to be understood to read this manual.

## Acronyms and Abbreviations

This section gives the meanings of the definitions used in this manual.

## Conventions for Alert Messages

This manual uses the following conventions to show the alert messages. An alert message consists of an alert signal and alert statements. The alert signal consists of an alert symbol and a signal word or just a signal word.

The following are the alert signals and their meanings:



This indicates a hazardous situation *could* result in *minor or moderate personal injury* if the user does not perform the procedure correctly. This alert signal also indicates that damages to the product or other property *may* occur if the user does not perform the procedure correctly.

### IMPORTANT

This indicates information that could help the user use the product more efficiently.

In the text, the alert signal is centered, followed below by the indented message. A wider line space precedes and follows the alert message to show where the alert message begins and ends. The following is an example:

(Example)



**Data corruption:** Avoid mounting the disk drive near strong magnetic sources such as loud speakers. Ensure that the disk drive is not affected by external magnetic fields.

The main alert messages in the text are also listed in the "Important Alert Items."

## Operating Environment

This product is designed for mobile system as notebook PCs, and to be used within environmental specification. (please refer to the Chapter 1 in this manual.)

## Conventions

An MHY series device is sometimes simply referred to as a "hard disk drive," "HDD," "drive," or "device" in this document.

Decimal numbers are represented normally.

Hexadecimal numbers are represented as shown in the following examples: X'17B9', 17B9h, 17B9<sub>h</sub>, or 17B9H.

Binary numbers are represented as shown in the following examples: 010 or 010b.

Serial-ATA may be referred to as "SATA".

## IMPORTANT

### Representation of the data storage capacity

One gigabyte (GB) = one billion bytes; accessible capacity will be less and actual capacity depends on the operating environment and formatting.

## Attention

Please forward any comments you may have regarding this manual.

To make this manual easier for users to understand, opinions from readers are needed. Please write your opinions or requests on the Comment at the back of this manual and forward it to the address described in the sheet.

## Liability Exception

"Disk drive defects" refers to defects that involve adjustment, repair, or replacement.

Fujitsu is not liable for any other disk drive defects, such as those caused by user misoperation or mishandling, inappropriate operating environments, defects in the power supply or cable, problems of the host system, or other causes outside the disk drive.

## Hot Plug

These drives support Hot Plug which is based on Serial ATA Revision 2.5 Specification.

However, the disk drive installation and removal notes on safety precautions with regard to hot-plugging vary depending on the specific requirements and environment-related conditions of the system to which the drive is connected by hot-plugging.

When using the drive under general conditions of use (i.e., without hot-plugging), observe the important alert messages and notes on safety precautions given in this manual.

For the electrical recommendation to the host system which supports hot-plugging with this drives, refer to Section 5.1.6.

## Compliance with Administration on the Control of Pollution Caused by Electronic Information Products of the People's Republic of China

### 电子信息产品污染控制管理办法 ( 第 39 号 )



这标记是按照 2006 年 2 月 28 日公布的[电子信息产品污染控制管理办法]以及 SJ/T11364-2006[电子信息产品污染控制标识要求]在中国销售的电子信息产品的环保使用期限。如遵守关于这产品的安全或使用上的注意, 在这期限内(从生产日期起算)不会因产品中的有害物质漏到外部、或发生突然变异, 而引起环境污染和对人体或财产的重大影响。

#### 产品中有毒有害物质或元素的名称及含量

部件名称	有毒有害物质或元素					
	铅 (Pb)	汞 (Hg)	镉 (Cd)	六价铬 (Cr(VI))	多溴联苯 (PBB)	多溴二苯醚 (PBDE)
HDD(硬盘驱动器)	×	○	○	○	○	○

○: 表示该有毒有害物质在该部件所有均质材料中的含量均在 SJ/T 11363-2006 规定的限量要求以下。  
 ×: 表示该有毒有害物质至少在该部件的某一均质材料中的含量超出 SJ/T 11363-2006 规定的限量要求。

This product is shipped as a component to manufacture the final products. Therefore, the packaging material code provided in GB18455-2001 is not marked on any packaging part of this product.



# Important Alert Items

## Important Alert Messages

The important alert messages in this manual are as follows:



A hazardous situation *could* result in *minor* or *moderate personal injury* if the user does not perform the procedure correctly. Also, damage to the product or other property, *may* occur if the user does not perform the procedure correctly.

Task	Alert message	Page
Normal Operation	<p><b>Data corruption:</b> Avoid mounting the disk near strong magnetic sources such as loud speakers. Ensure that the disk drive is not affected by external magnetic fields.</p> <p><b>Damage:</b> Do not press the cover of the disk drive. Pressing it too hard, the cover and the spindle motor contact, which may cause damage to the disk drive.</p> <p><b>Static:</b> When handling the device, disconnect the body ground (500 kΩ or greater). Do not touch the printed circuit board, but hold it by the edges.</p>	3-7
Maintenance	<p><b>Static, Damage</b></p> <ol style="list-style-type: none"><li>1. Don't install or remove a PCA or connect or disconnect a cable or connector plug when the drive is powered. This may give you an electric shock.</li><li>2. Keep away from mechanical assemblies in the unit during operation. This may cause injuries.</li><li>3. Avoid dangerous detergent when the disk drive is cleaned.</li></ol>	7-2

Task	Alert message	Page
Maintenance	<p><b>Device damage</b></p> <ol style="list-style-type: none"> <li>1. Before touching a PCA or the drive, wear a wrist strap and perform the human body grounding to discharge static electricity from your body. This will prevent irreparable damage to the PCA and the head of the drive.</li> <li>2. Don't install or remove a PCA or connect or disconnect a cable or connector plug when the drive is powered. This will prevent electrical damage to the disk drive.</li> <li>3. Operating the disk drive with one or more PCA missing will be unpredictable. Only power the drive with all boards installed.</li> <li>4. Avoid any detergent which may cause short circuits when cleaning assemblies.</li> <li>5. Keep all vents open opened and unblocked. Avoid other conditions which may cause circuits to overheat.</li> <li>6. Do not apply excessive force to the cover under any circumstances. Doing so may cause irreparable damage to the cover.</li> </ol>	7-2
	<p><b>Device damage</b></p> <p>The DE is completely sealed. Do not open the DE in the field.</p>	7-3
	<p><b>Data corruption</b></p> <p>When asking for repair, save all data stored in the disk drive beforehand. Fujitsu Limited is not responsible for any loss of data during service and repair.</p>	7-4
	<p><b>Device damage</b></p> <p>The disk enclosure (DE) must never to be opened in the field. Opening the disk enclosure may cause irreparable damage.</p>	7-14
	<p><b>Damage or Device damage</b></p> <ol style="list-style-type: none"> <li>1. Perform any removal after the system power is completely disconnected. The cable must not be disconnected and the screws that attach the drive must not be removed with the power ON.</li> <li>2. Do not move the drive and attach or detach the connector until it comes to a complete stop (about 30 s after the power is turned OFF).</li> <li>3. Perform the human body grounding to discharge any static electricity from your body. (Be sure to wear a wrist strap.)</li> </ol>	7-15

# Manual Organization

MHY2200BS, MHY2160BS,  
MHY2120BS, MHY2100BS,  
MHY2080BS, MHY2060BS,  
MHY2040BS

DISK DRIVES  
PRODUCT/MAINTENANCE  
MANUAL  
(C141-E269)

<This manual>

- Device Overview
- Device Configuration
- Installation Conditions
- Theory of Device Operation
- Interface
- Operations
- Maintenance and Diagnosis

This page is intentionally left blank.

# Contents

<b>CHAPTER 1</b>	<b>Device Overview .....</b>	<b>1-1</b>
1.1	Features .....	1-2
1.1.1	Functions and performance .....	1-2
1.1.2	Adaptability.....	1-2
1.1.3	Interface.....	1-3
1.2	Device Specifications.....	1-5
1.2.1	Specifications summary .....	1-5
1.2.2	Model and product number .....	1-6
1.3	Power Requirements .....	1-7
1.4	Environmental Specifications .....	1-10
1.5	Acoustic Noise .....	1-11
1.6	Shock and Vibration.....	1-11
1.7	Reliability.....	1-12
1.8	Error Rate .....	1-13
1.9	Media Defects .....	1-13
1.10	Load/Unload Function.....	1-13
1.10.1	Recommended power-off sequence .....	1-14
1.11	Advanced Power Management (APM) .....	1-14
1.12	Interface Power Management (IPM).....	1-16
1.12.1	Host-initiated interface power management (HIPM) .....	1-16
1.12.2	Device-initiated interface power management (DIPM) .....	1-16
<b>CHAPTER 2</b>	<b>Device Configuration.....</b>	<b>2-1</b>
2.1	Device Configuration .....	2-2

2.2 System Configuration.....	2-3
2.2.1 SATA interface.....	2-3
2.2.2 Drive connection .....	2-3
<b>CHAPTER 3 Installation Conditions.....</b>	<b>3-1</b>
3.1 Dimensions.....	3-2
3.2 Mounting .....	3-3
3.3 Connections with Host System.....	3-9
3.3.1 Device connector .....	3-9
3.3.2 Signal segment and power supply segment.....	3-10
3.3.3 Connector specifications for host system .....	3-10
3.3.4 SATA interface cable connection.....	3-11
3.3.5 Note about SATA interface cable connection .....	3-11
<b>CHAPTER 4 Theory of Device Operation.....</b>	<b>4-1</b>
4.1 Outline.....	4-2
4.2 Subassemblies.....	4-2
4.2.1 Disk .....	4-2
4.2.2 Spindle.....	4-2
4.2.3 Actuator .....	4-2
4.2.4 Air filter.....	4-3
4.3 Circuit Configuration.....	4-3
4.4 Power-on Sequence .....	4-6
4.5 Self-calibration .....	4-8
4.5.1 Self-calibration contents .....	4-8
4.5.2 Execution timing of self-calibration .....	4-9
4.5.3 Command processing during self-calibration.....	4-9
4.6 Read/write Circuit .....	4-10
4.6.1 Read/write preamplifier (PreAMP) .....	4-10
4.6.2 Write circuit.....	4-10

4.6.3	Read circuit .....	4-11
4.6.4	Digital PLL circuit .....	4-12
4.7	Servo Control .....	4-13
4.7.1	Servo control circuit .....	4-13
4.7.2	Data-surface servo format .....	4-15
4.7.3	Servo frame format.....	4-17
4.7.4	Actuator motor control .....	4-18
4.7.5	Spindle motor control.....	4-19
<b>CHAPTER 5</b>	<b>Interface.....</b>	<b>5-1</b>
5.1	Physical Interface .....	5-2
5.1.1	Interface signals.....	5-2
5.1.2	Signal interface regulation .....	5-4
5.1.3	Electrical specifications.....	5-6
5.1.4	Connector pinouts .....	5-7
5.1.5	P11 function .....	5-8
5.1.6	Hot Plug .....	5-10
5.2	Logical Interface .....	5-11
5.2.1	Communication layers.....	5-12
5.2.2	Outline of the Shadow Block Register .....	5-13
5.2.3	Outline of the frame information structure (FIS) .....	5-14
5.2.4	Shadow block registers.....	5-22
5.3	Host Commands .....	5-27
5.3.1	Command code and parameters .....	5-27
5.3.2	Command descriptions.....	5-30
	(1) RECALIBRATE (X '10' to X '1F').....	5-31
	(2) READ SECTOR(S) (X '20' or X '21') .....	5-32
	(3) WRITE SECTOR(S) (X '30' or X '31') .....	5-34
	(4) WRITE VERIFY (X '3C') .....	5-36
	(5) READ VERIFY SECTOR(S) (X '40' or X '41').....	5-38
	(6) SEEK (X '70' to X '7F') .....	5-40
	(7) EXECUTE DEVICE DIAGNOSTIC (X '90').....	5-41
	(8) INITIALIZE DEVICE PARAMETERS (X '91') .....	5-42

(9) DOWNLOAD MICROCODE (X '92').....	5-43
(10) STANDBY IMMEDIATE (X '94' or X 'E0') .....	5-46
(11) IDLE IMMEDIATE (X '95' or X 'E1')/UNLOAD IMMEDIATE (X '95' or X 'E1') .....	5-47
(12) STANDBY (X '96' or X 'E2') .....	5-49
(13) IDLE (X '97' or X 'E3').....	5-50
(14) CHECK POWER MODE (X '98' or X 'E5').....	5-52
(15) SLEEP (X '99' or X 'E6') .....	5-53
(16) SMART (X 'B0').....	5-54
(17) DEVICE CONFIGURATION (X 'B1') .....	5-84
(18) READ MULTIPLE (X 'C4').....	5-89
(19) WRITE MULTIPLE (X 'C5') .....	5-92
(20) SET MULTIPLE MODE (X 'C6').....	5-94
(21) READ DMA (X 'C8' or X 'C9') .....	5-96
(22) WRITE DMA (X 'CA' or X 'CB').....	5-98
(23) READ BUFFER (X 'E4').....	5-100
(24) FLUSH CACHE (X 'E7').....	5-101
(25) WRITE BUFFER (X 'E8').....	5-102
(26) IDENTIFY DEVICE (X 'EC') .....	5-103
(27) IDENTIFY DEVICE DMA (X 'EE') .....	5-104
(28) SET FEATURES (X 'EF') .....	5-119
(29) SECURITY SET PASSWORD (X 'F1').....	5-126
(30) SECURITY UNLOCK (X 'F2').....	5-128
(31) SECURITY ERASE PREPARE (X 'F3') .....	5-130
(32) SECURITY ERASE UNIT (X 'F4') .....	5-131
(33) SECURITY FREEZE LOCK (X 'F5') .....	5-132
(34) SECURITY DISABLE PASSWORD (X 'F6') .....	5-134
(35) READ NATIVE MAX ADDRESS (X 'F8').....	5-136
(36) SET MAX (X 'F9').....	5-137
(37) READ SECTOR (S) EXT (X '24') .....	5-143
(38) READ DMA EXT (X '25') .....	5-144
(39) READ NATIVE MAX ADDRESS EXT (X '27') .....	5-145
(40) READ MULTIPLE EXT (X '29').....	5-146
(41) READ LOG EXT (X '2F') .....	5-147
(42) WRITE SECTOR (S) EXT (X '34').....	5-153
(43) WRITE DMA EXT (X '35') .....	5-154



(44) SET MAX ADDRESS EXT (X '37').....	5-155
(45) WRITE MULTIPLE EXT (X '39').....	5-157
(46) WRITE DMA FUA EXT (X '3D') .....	5-158
(47) WRITE LOG EXT (X '3F') .....	5-159
(48) READ VERIFY SECTOR (S) EXT (X '42').....	5-163
(49) WRITE UNCORRECTABLE EXT (X '39').....	5-164
(50) READ LOG DMA EXT (X '47').....	5-166
(51) WRITE LOG DMA EX (X '57') .....	5-167
(52) READ FP DMA QUEUED (X '60').....	5-168
(53) WRITE FP DMA QUEUED (X '61') .....	5-169
(54) WRITE MULTIPLE FUA EXT (X 'CE').....	5-170
(55) FLUSH CACHE EXT (X 'EA').....	5-171
5.3.3 Error posting.....	5-172
5.4 Command Protocol.....	5-174
5.4.1 Non-data command protocol.....	5-175
5.4.2 PIO data-in command protocol .....	5-177
5.4.3 PIO data-out command protocol .....	5-179
5.4.4 DMA data-in command protocol .....	5-181
5.4.5 DMA data-out command protocol .....	5-182
5.4.6 Native Command Queuing protocol.....	5-183
5.5 Power-on and COMRESET .....	5-186

## **CHAPTER 6 Operations..... 6-1**

6.1 Reset and Diagnosis .....	6-2
6.1.1 Response to power-on .....	6-2
6.1.2 Response to COMRESET .....	6-4
6.1.3 Response to a software reset .....	6-7
6.2 Power Save.....	6-8
6.2.1 Power save mode.....	6-8
6.2.2 Power commands .....	6-10
6.3 Power Save Controlled by Interface Power Management (IPM).....	6-11
6.3.1 Power save mode of the interface.....	6-11

6.4 Read-ahead Cache .....	6-13
6.4.1 Data buffer structure .....	6-13
6.4.2 Caching operation.....	6-14
6.4.3 Using the read segment buffer.....	6-16
6.5 Write Cache .....	6-20
6.5.1 Cache operation .....	6-20
<b>CHAPTER 7 Maintenance and Diagnosis .....</b>	<b>7-1</b>
7.1 Maintenance .....	7-2
7.1.1 Rules for maintenance .....	7-2
7.1.2 Maintenance requirements.....	7-3
7.1.3 Maintenance levels .....	7-5
7.1.4 Disk drive revision number .....	7-6
7.1.5 Tools and test equipment.....	7-8
7.1.6 Self-diagnostics .....	7-8
7.1.7 Test .....	7-8
7.2 Operation Confirmation.....	7-11
7.2.1 Operation test.....	7-11
7.2.2 Diagnostic test .....	7-11
7.3 Troubleshooting Procedure .....	7-12
7.3.1 Troubleshooting procedure.....	7-12
7.3.2 Troubleshooting disk drive replaced in field.....	7-12
7.3.3 Troubleshooting at factory .....	7-14
7.4 Disk Drive Removal Procedure.....	7-15
7.5 Spare Disk Drive .....	7-15

**Glossary.....GL-1**

**Acronyms and Abbreviations ..... AB-1**

**Index .....IN-1**

# Illustrations

## Figures

Figure 1.1	Permissible range of +5V rise slope .....	1-7
Figure 1.2	The example of negative voltage waveform at +5 V when power is turned off.....	1-8
Figure 1.3	Current fluctuation (Typ.) at +5 V when power is turned on .....	1-10
Figure 2.1	Disk drive overview .....	2-2
Figure 2.2	Drive system configuration.....	2-3
Figure 3.1	Dimensions .....	3-2
Figure 3.2	Mounting frame structure .....	3-4
Figure 3.3	Location of breather.....	3-5
Figure 3.4	Surface cover temperature measurement points .....	3-6
Figure 3.5	Service area.....	3-7
Figure 3.6	Handling cautions .....	3-8
Figure 3.7	Connector locations .....	3-9
Figure 3.8	Power supply pins (CN1) .....	3-10
Figure 4.1	Power supply configuration.....	4-4
Figure 4.2	Circuit configuration.....	4-5
Figure 4.3	Power-on operation sequence .....	4-7
Figure 4.4	Read/write circuit block diagram.....	4-10
Figure 4.5	Frequency characteristic of programmable filter.....	4-11
Figure 4.6	Block diagram of servo control circuit .....	4-13
Figure 4.7	Physical sector servo configuration on disk surface.....	4-16
Figure 4.8	Servo frame format .....	4-17
Figure 5.1	Interface signals .....	5-2
Figure 5.2	Example of the circuit for driving Activity LED.....	5-9
Figure 5.3	Conceptual diagram of communication layers .....	5-11
Figure 5.4	Register - Host to Device FIS layout.....	5-15
Figure 5.5	Register - Device to Host FIS layout .....	5-16
Figure 5.6	DMA Active - Device to Host FIS layout .....	5-16
Figure 5.7	DMA Setup - Device to Host or Host to Device FIS layout.....	5-17
Figure 5.8	BIST Active - Bidirectional FIS layout.....	5-18
Figure 5.9	Data FIS (Bidirectional) layout .....	5-19
Figure 5.10	PIO Setup - Device to Host FIS layout.....	5-19

---

Figure 5.11 Set Device Bits FIS .....	5-21
Figure 5.12 Execution example of READ MULTIPLE command.....	5-90
Figure 5.13 Non-data command protocol .....	5-176
Figure 5.14 PIO data-in command protocol .....	5-178
Figure 5.15 PIO data-out command protocol .....	5-180
Figure 5.16 DMA data-in command protocol.....	5-181
Figure 5.17 DMA data-out command protocol.....	5-182
Figure 5.18 READ FP DMA QUEUED command protocol .....	5-184
Figure 5.19 WRITE FP DMA QUEUED command protocol .....	5-185
Figure 5.20 Power-on sequence.....	5-186
Figure 5.21 COMRESET sequence .....	5-187
Figure 6.1 Response to power-on (when the host is powered on earlier than the device).....	6-2
Figure 6.2 Response to power-on (when the device is powered on earlier than the host).....	6-3
Figure 6.3 Response to COMRESET .....	6-4
Figure 6.4 Response to a software reset.....	6-7
Figure 6.5 Data buffer structure.....	6-13
Figure 7.1 Disk drive revision number label .....	7-6
Figure 7.2 Display of disk drive revision number .....	7-7
Figure 7.3 Test flowchart.....	7-9

## Tables

Table 1.1 Specifications .....	1-5
Table 1.2 Examples of model names and product numbers.....	1-6
Table 1.3 Current and power dissipation .....	1-9
Table 1.4 Environmental specifications.....	1-10
Table 1.5 Acoustic noise specification.....	1-11
Table 1.6 Shock and vibration specification.....	1-11
Table 1.7 Advanced Power Management .....	1-15
Table 1.8 Interface power management .....	1-17
Table 3.1 Surface temperature measurement points and standard values .....	3-6
Table 5.1 Connector pinouts .....	5-7
Table 5.2 Requirements for P11 as an output pin .....	5-9
Table 5.3 Shadow Block Register.....	5-13
Table 5.4 BIST combinations .....	5-18
Table 5.5 Command code and parameters .....	5-27
Table 5.6 Diagnostic code.....	5-41
Table 5.7 Operation of DOWNLOAD MICROCODE.....	5-44
Table 5.8 Example of rewriting procedure of data 640K Bytes (A0000h Bytes) of microcode .....	5-45
Table 5.9 Features Field values (subcommands) and functions .....	5-55
Table 5.10 Format of device attribute value data.....	5-59
Table 5.11 Format of guarantee failure threshold value data.....	5-59
Table 5.12 Off-line data collection status .....	5-62
Table 5.13 Self-test execution status.....	5-62
Table 5.14 Off-line data collection capability.....	5-63
Table 5.15 Failure prediction capability flag .....	5-63
Table 5.16 Drive error logging capability.....	5-64
Table 5.17 Log Directory Data Format.....	5-64
Table 5.18 Data format of SMART Summary Error Log .....	5-65
Table 5.19 Data format of SMART Comprehensive Error Log .....	5-67
Table 5.20 SMART self-test log data format.....	5-68
Table 5.21 Selective self-test log data structure.....	5-69
Table 5.22 Selective self-test feature flags.....	5-70
Table 5.23 SCT command and the function.....	5-71
Table 5.24 Format of SCT STATUS Response .....	5-73
Table 5.25 SCT STATUS code.....	5-75
Table 5.26 Action code .....	5-77
Table 5.27 WRITE SAME .....	5-77

---

Table 5.28 ERROR RECOVERY CONTROL.....	5-78
Table 5.29 FEATURE CONTROL COMMAND .....	5-79
Table 5.30 SCT DATA TABLE .....	5-80
Table 5.31 HAD Temperature .....	5-81
Table 5.32 DEVICE CONFIGURATION IDENTIFY data structure .....	5-87
Table 5.33 Information to be read by IDENTIFY DEVICE command.....	5-105
Table 5.34 Features field values and settable modes .....	5-119
Table 5.35 Contents of SECURITY SET PASSWORD data.....	5-126
Table 5.36 Relationship between combination of Identifier and Security level, and operation of the lock function.....	5-126
Table 5.37 Contents of security password .....	5-134
Table 5.38 Data format of Read Log Ext log page 10h .....	5-149
Table 5.39 Tag field information .....	5-149
Table 5.40 Data format of Read Log Ext log page 11h .....	5-150
Table 5.41 Counter Identifier information.....	5-150
Table 5.42 Operation mode .....	5-165
Table 5.43 Command code and parameters .....	5-172
Table 7.1 Status Field contents .....	7-10
Table 7.2 Disposition for Error Field contents .....	7-10
Table 7.3 System level and field troubleshooting.....	7-13

This page is intentionally left blank.



# CHAPTER 1 Device Overview

- 1.1 Features
- 1.2 Device Specifications
- 1.3 Power Requirements
- 1.4 Environmental Specifications
- 1.5 Acoustic Noise
- 1.6 Shock and Vibration
- 1.7 Reliability
- 1.8 Error Rate
- 1.9 Media Defects
- 1.10 Load/Unload Function
- 1.11 Advanced Power Management (APM)
- 1.12 Interface Power Management (IPM)

Overview and features are described in this chapter, and specifications and power requirement are described.

The disk drive is 2.5-inch hard disk drives with built-in disk controllers. These disk drives use the SATA interface protocol which has a high-speed interface data transfer rate.

## 1.1 Features

### 1.1.1 Functions and performance

The following features of the disk drive are described.

#### (1) Compact

The disk drive has up to 2 disks of 65 mm (2.5 inches) diameter, and its height is 9.5 mm (0.374 inch).

#### (2) Environmental Protection

The disk drive comply with the Restriction of the use of certain Hazardous Substances in electrical and electronic equipment (RoHS) directive issued by European Union (EU).

#### (3) Large capacity

The disk drive can record up to 120 GB (formatted) on one disk using the RLL recording method and 30 recording zone technology. The disk drive has a formatted capacity of 200GB(MHY2200BS), 160GB(MHY2160BS), 120GB(MHY2120BS), 100GB(MHY2100BS), 80GB(MHY2080BS), 60GB(MHY2060BS), and 40GB(MHY2040BS) respectively.

#### (4) High-speed Transfer rate

The disk drive (the MHY2xxxBS Series) has an internal data rate up to 81.3 MB/s. The disk drive supports an external data rate 1.5 Gbps (150 MB/s) (Serial-ATA Generation-1). And the disk drive realizes a high performance by high-speed transfer rate combined with Native Command Queuing (NCQ).

#### (5) Average positioning time

Use of a rotary voice coil motor in the head positioning mechanism greatly increases the positioning speed. The average positioning time is 12.0 ms (at read).

### 1.1.2 Adaptability

#### (1) Power save mode

The disk drive is ideal for applications since it supports the power save mode function that works in each of the Idle, Standby, and Sleep modes and has the Partial and Slumber interface power management functions. And automatically power down by APM function makes the disk drive ideal for mobile use where power consumption is a factor.

**(2) Operating temperature**

The disk drive can be used within the temperature range (5 °C to 60 °C at DE surface). (For details of the reliability for each temperature range, refer to the Section 1.7, "Reliability".)

**(3) Low noise and vibration**

In Ready status (while the device is waiting for any commands), the Sound Power level of the disk drives in idle mode is 2.0B [MHY2100BS, MHY2080BS, MHY2060BS, MHY2040BS] / 2.4B [MHY2200BS, MHY2160BS, MHY2120BS]. The Sound Pressure level is 22dB [MHY2100BS, MHY2080BS, MHY2060BS, MHY2040BS] / 28dB [MHY2200BS, MHY2160BS, MHY2120BS], as measured 0.3 m from the drive in Idle mode.

**(4) High resistance against shock**

The Load/Unload mechanism is highly resistant against non-operation shock up to 8820 m/s<sup>2</sup> (900G).

**(5) Improved resistance against rotational vibration (option)**

The disk drive has built-in functions designed to minimize the adverse effects of rotational vibration to prevent performance degradation. (Rotational vibration can occur when multiple drive mechanisms are mounted in a single chassis.)

**1.1.3 Interface****(1) Connection to SATA interface**

The disk drive has built-in controllers compatible with the SATA interface.

**(2) Data buffer**

The disk drive uses the data buffer to transfer data between the host and the disk media.

In combination with the read-ahead cache system described in item (3) and the write cache described in item (6), the buffer contributes to efficient I/O processing.

**(3) Read-ahead cache system**

After the execution of a disk read command, the disk drive automatically reads the subsequent data block and writes it to the data buffer (read ahead operation). This cache system enables fast data access. The next disk read command would normally cause another disk access. But, if the read ahead data corresponds to the data requested by the next read command, the data in the buffer can be transferred instead.

(4) Error correction and retry by ECC

If a recoverable error occurs, the disk drive itself attempts error recovery. The ECC has improved buffer error correction for correctable data errors.

(5) Self-diagnosis

The disk drive has a diagnostic function to check operation of the controller and disk drive. Executing a diagnostic function of the smart command invokes self-diagnosis.

(6) Write cache

When the disk drive receives a write command, the disk drive posts the command completion at completion of transferring data to the data buffer completion of writing to the disk media. This feature reduces the access time at writing.

## 1.2 Device Specifications

### 1.2.1 Specifications summary

Table 1.1 shows the specifications of the disk drives.

**Table 1.1 Specifications (1/2)**

	MHY2200BS	MHY2160BS	MHY2120BS	MHY2100BS	MHY2080BS	MHY2060BS	MHY2040BS
Format Capacity (*1, *2)	200 GB	160 GB	120 GB	100 GB	80 GB	60 GB	40 GB
Number of Sectors (User)	390,721,968	312, 581, 808	234,441,648	195,371,568	156,301,488	117,210,240	78,140,160
Bytes per Sector	512 bytes						
Rotational Speed	5,400 rpm $\pm$ 1%						
Average Latency	5.56 ms						
Positioning time (read and seek)	1.5 ms (typ.)						
• Minimum (Track-Track)	Read: 12.0 ms (typ.)						
• Average	22 ms (typ.)						
• Maximum (Full)							
Start time	4.0 sec (typ.)						
Interface	Compliant with ATA-8 ACS, Serial ATA Revision 2.5 Gen1i						
Data Transfer Rate (*3)	81.3 MB/s Max.						
• To/From Media	1.5 Gbps (150 MB/s) (Gen1i)						
• To/From Host							
Data Buffer Size (*4)	8 MB (8,388,608 bytes)						
Physical Dimensions (Height $\times$ Width $\times$ Depth)	9.5 mm $\times$ 100.0 mm $\times$ 70.0 mm (*5)						
Weight	101 g (Max.)						

\*1: Capacity under the LBA mode.

\*2: One gigabyte (GB) = one billion bytes and One megabyte (MB) = one million bytes; accessible capacity will be less and actual capacity depends on the operating environment and formatting.

\*3: 1 GB is equal to 1,000,000,000 bytes and 1 MB is equal to 1,000,000 bytes.

\*4: 1 MB is equal to 1,048,576 bytes; the actual buffer capacity for data transfer will be less. Refer to the Section 6.4 of this manual.

\*5: The value of Depth (=100.0 mm) does not include PCBA (Printed Circuit Board Assembly). For details, see Section 3.1.

Table 1.1 lists the formatted capacity, number of logical cylinders, number of heads, and number of sectors of every model for which the CHS mode has been selected using the BIOS setup utility on the host.

**Table 1.1 Specifications (2/2)**

Model	Capacity (*1)	No. of Cylinder	No. of Heads	No. of Sectors
MHY2200BS	8.45 GB	16,383	16	63
MHY2160BS	8.45 GB	16,383	16	63
MHY2120BS	8.45 GB	16,383	16	63
MHY2100BS	8.45 GB	16,383	16	63
MHY2080BS	8.45 GB	16,383	16	63
MHY2060BS	8.45 GB	16,383	16	63
MHY2040BS	8.45 GB	16,383	16	63

\*1: One gigabyte (GB) = one billion bytes; accessible capacity will be less and actual capacity depends on the operating environment and formatting.

## 1.2.2 Model and product number

Table 1.2 lists the model names and product numbers of the disk drive.

The model name does not necessarily correspond to the product number as listed in Table 1.2 since some models have been customized and have specifications that are different from those for the standard model.

If a disk drive is ordered as a replacement drive, the product number must be the same as that of the drive being replaced.

**Table 1.2 Examples of model names and product numbers**

Model Name	Capacity (*1) (user area)	Mounting screw	Order No.
MHY2200BS	200 GB	M3 Depth 3	CA06889-B720 (*2)/B750
MHY2160BS	160 GB	M3 Depth 3	CA06889-B716 (*2)/B746
MHY2120BS	120 GB	M3 Depth 3	CA06889-B711 (*2)/B712 (*2)/B741/B742
MHY2100BS	100 GB	M3 Depth 3	CA06889-B710 (*2)/B740
MHY2080BS	80 GB	M3 Depth 3	CA06889-B708 (*2)/B738
MHY2060BS	60 GB	M3 Depth 3	CA06889-B705 (*2)/B706 (*2)/B735/B736
MHY2040BS	40 GB	M3 Depth 3	CA06889-B704 (*2)/B734

\*1: One gigabyte (GB) = one billion bytes; accessible capacity will be less and actual capacity depends on the operating environment and formatting.

\*2: The model has the built-in function designed to minimize an adverse effect of rotational vibration (Optional function: Refer to 1.1.2 (5)).

## 1.3 Power Requirements

### (1) Input Voltage

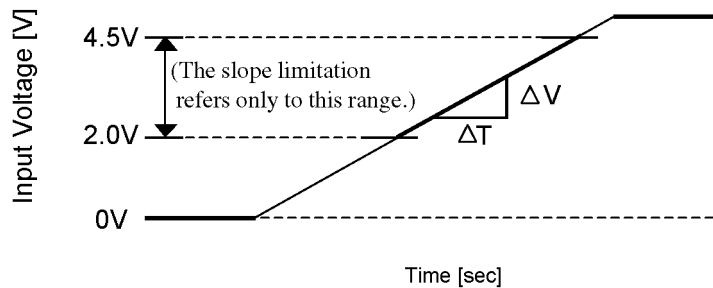
- +5 V  $\pm$  5 %
- It is unnecessary for this drive to supply +3.3 V and +12 V power supplies.

### (2) Ripple

	+5 V
Maximum	100 mV (peak to peak)
Frequency	DC to 1 MHz

### (3) Slope of an input voltage at rise

The following figure shows the restriction of the slope which is +5 V input voltage at rise. The permissible range of +5 V slope is from 1V/20  $\mu$ sec to 1V/20 msec, under the voltage range is between 2.0V and 4.5V.



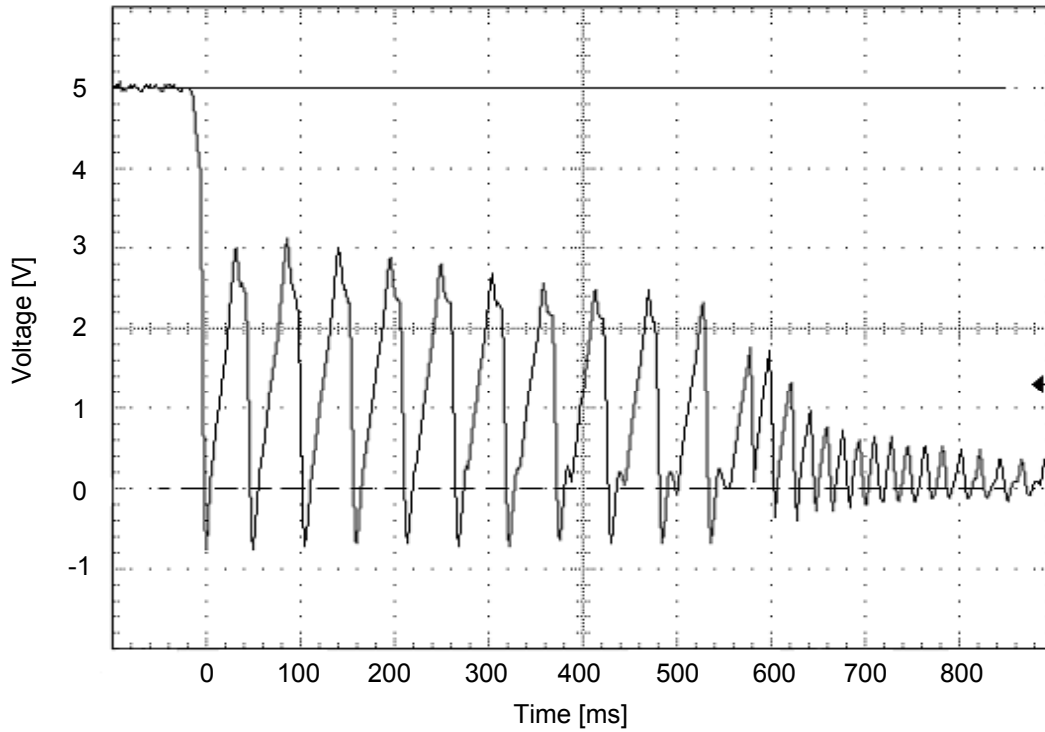
$$\text{Slope : } S = \Delta V / \Delta T \text{ [V/sec]}$$

$$S : \underline{1V/20\mu\text{s to } 1V/20\text{ms}}$$

**Figure 1.1 Permissible range of +5V rise slope**

- (4) A negative voltage like the bottom figure isn't to occur at +5 V when power is turned off and, a thing with no ringing.

Permissible level:  $-0.2\text{ V}$



**Figure 1.2 The example of negative voltage waveform at +5 V when power is turned off**



## (5) Current Requirements and Power Dissipation

Table 1.3 lists the current and power dissipation (typical).

**Table 1.3 Current and power dissipation**

	Typical RMS Current	Typical Power (*3)
Spin up (*1)	1.0 A	5.0 W
Idle (*6)	120 mA	0.60 W
R/W (on track) (*2)	380 mA	1.9 W
Seek (*5)	420 mA	2.1 W
Standby (*6)	26 mA	0.13 W
Sleep (*6)	26 mA	0.13 W
Energy Efficiency (*4)	—	e rank (0.0030 W/GB): MHY2200BS e rank (0.0038 W/GB): MHY2160BS e rank (0.0050 W/GB): MHY2120BS d rank (0.0060 W/GB): MHY2100BS d rank (0.0075 W/GB): MHY2080BS d rank (0.0100 W/GB): MHY2060BS d rank (0.0150 W/GB): MHY2040BS

\*1 Maximum current and power at starting spindle motor

\*2 Current and power level when the operation (command) that accompanies a transfer of 63 sectors is executed 3 times in 100 ms

\*3 Power requirements reflect typical values for +5 V power.

\*4 Energy efficiency based on the Law concerning the Rational Use of Energy indicates the value obtained by dividing power consumption by the storage capacity. (Japan only)

\*5 The seek average current is specified based on three operations per 100 msec.

\*6 IPM mode: Slumber mode

(6) Current fluctuation (Typ.) at +5 V when power is turned on

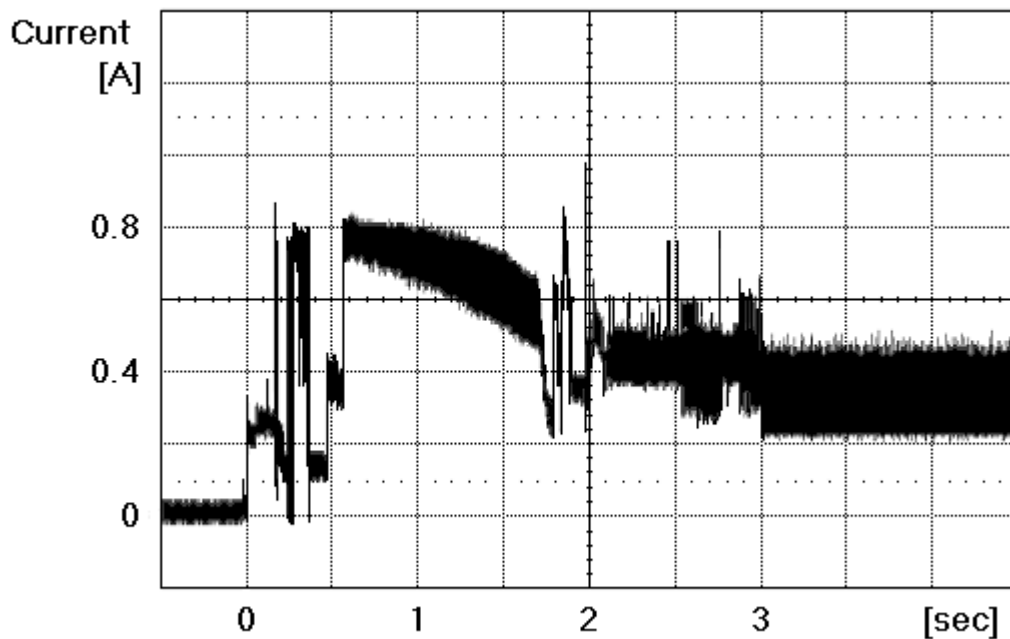


Figure 1.3 Current fluctuation (Typ.) at +5 V when power is turned on

## 1.4 Environmental Specifications

Table 1.4 lists the environmental specifications.

**Table 1.4 Environmental specifications**

Item	Specification
Temperature <ul style="list-style-type: none"> <li>• Operating</li> <li>• Non-operating</li> <li>• Thermal Gradient</li> </ul>	5 °C to 55 °C (ambient) 5 °C to 60 °C (disk enclosure surface) -40 °C to 65 °C 20 °C/h or less
Humidity <ul style="list-style-type: none"> <li>• Operating</li> <li>• Non-operating</li> <li>• Maximum Wet Bulb</li> </ul>	8 % to 90 % RH (Non-condensing) 5 % to 95 % RH (Non-condensing) 29 °C (Operating) 40 °C (Non-operating)
Altitude (relative to sea level) <ul style="list-style-type: none"> <li>• Operating</li> <li>• Non-operating</li> </ul>	-300 to 3,000 m -300 to 12,000 m

## 1.5 Acoustic Noise

Table 1.5 lists the acoustic noise specification.

**Table 1.5 Acoustic noise specification**

Item	Specification
<ul style="list-style-type: none"> <li>Idle mode (DRIVE READY)</li> </ul>	
Sound Power	2.0B [MHY2100BS, MHY2080BS, MHY2060BS, MHY2040BS] 2.4B [MHY2200BS, MHY2160BS, MHY2120BS]
Sound Pressure (at 0.3m)	22dB [MHY2100BS, MHY2080BS, MHY2060BS, MHY2040BS] 28dB [MHY2200BS, MHY2160BS, MHY2120BS]

Note:

Measure the noise from the cover top surface.

## 1.6 Shock and Vibration

Table 1.6 lists the shock and vibration specification.

**Table 1.6 Shock and vibration specification**

Item	Specification
Vibration (Swept sine, 1/4 octave per minute)	
<ul style="list-style-type: none"> <li>Operating</li> </ul>	5 to 500 Hz, 9.8m/s <sup>2</sup> 0-peak (1G 0-peak) (without non-recovered errors)
Non-operating	5 to 500 Hz, 49m/s <sup>2</sup> 0-peak (5G 0-peak) (no damage)
Shock (half-sine pulse)	
<ul style="list-style-type: none"> <li>Operating</li> </ul>	3185 m/s <sup>2</sup> 0-peak (325G 0-peak) 2ms duration (without non-recovered errors)
<ul style="list-style-type: none"> <li>Non-operating</li> </ul>	8820 m/s <sup>2</sup> 0-peak (900G 0-peak) 1ms duration 1176 m/s <sup>2</sup> 0-peak (120G 0-peak) 11ms duration (no damage)

## 1.7 Reliability

### (1) Mean time between failures (MTBF)

Conditions of 500,000 h	Power-on time 24H/day or less Operating time 50 % or less of power-on time Temperature 5 to 45 °C (Disk Enclosure surface) Humidity 8 to 90 % (ambient) But humidity bulb temperature 29 °C or less
Conditions of 300,000 h	Power-on time 24H/day or less Operating time 50 % or less of power-on time Temperature 5 to 60 °C (Disk Enclosure surface) Humidity 8 to 90 % (ambient) But humidity bulb temperature 29 °C or less

MTBF is defined as follows:

$$\text{MTBF} = \frac{\text{Total operation time in all fields (H)}}{\text{number of device failure in all fields (*1)}}$$

\*1 "Disk drive defects" refers to defects that involve repair, readjustment, or replacement. Disk drive defects do not include failures caused by external factors, such as damage caused by handling, inappropriate operating environments, defects in the power supply host system, or interface cable.

### (2) Mean time to repair (MTTR)

The mean time to repair (MTTR) is 30 minutes or less, if repaired by a specialist maintenance staff member.

### (3) Service life

In situations where management and handling are correct, the disk drive requires no overhaul for five years or 30,000 hours of operation, whichever occurs first, when the DE surface temperature is less than 45 °C. When the DE surface temperature exceeds 45 °C, the disk drives requires no overhaul for five years or 20,000 hours of operation, whichever occurs first.

Refer to item (3) in Subsection 3.2 for the measurement point of the DE surface temperature. The operating conditions of Service life are based on the equal conditions with MTBF.

#### (4) Data assurance in the event of power failure

Except for the data block being written to, the data on the disk media is assured in the event of any power supply abnormalities. This does not include power supply abnormalities during disk media initialization (formatting) or processing of defects (alternative block assignment).

### 1.8 Error Rate

Known defects, for which alternative blocks can be assigned, are not included in the error rate count below. It is assumed that the data blocks to be accessed are evenly distributed on the disk media.

#### (1) Unrecoverable read error

Read errors that cannot be recovered by maximum read retries of drive without user's retry and ECC corrections shall occur no more than 1 time when reading data of  $10^{14}$  bits. Read retries are executed according to the disk drive's error recovery procedure, and include read retries accompanying head offset operations.

#### (2) Positioning error

Positioning (seek) errors that can be recovered by one retry shall occur no more than 1 time in  $10^7$  seek operations.

### 1.9 Media Defects

Defective sectors are replaced with alternates when the disk drive is formatted prior to shipment from the factory (low level format). Thus, the hosts see a defect-free device.

Alternate sectors are automatically accessed by the disk drive. The user need not be concerned with access to alternate sectors.

### 1.10 Load/Unload Function

The Load/Unload function is a mechanism that loads the head on the disk and unloads the head from the disk.

The product supports a minimum of 600,000 Load/Unload cycles. Unload is a normal head unloading operation and the commands listed below are executed.

- STANDBY command issued
- STANDBY IMMEDIATE command issued
- SLEEP command issued
- IDLE IMMEDIATE command (with unload feature) issued

- Power Mode shifted with APM or APS feature.
- SLUMBER signal transferred  
(PMREQ\_S signal is transferred from the host or the drive, and the host responds with PMACK signal.)

Emergency Unload other than Unload is performed when the power is shut down while the heads are still loaded on the disk.

The product supports the Emergency Unload a minimum of 20,000 times.

When the power is shut down, the controlled Unload cannot be executed.

Therefore, the number of Emergency other than Unload is specified.

### 1.10.1 Recommended power-off sequence

We recommend cutting the power supply of the HDD for this device after the Head Unload operation completes. The recommended power supply cutting sequence for this device is as follows:

- 1) Disk Flush  
Flush Cache command execution.
- 2) Head Unload  
Standby Immediate command execution.
- 3) Wait Status  
Checking whether bit 7 of the status register was set to '0'.  
(wait to complete STANDBY IMMEDIATE command)
- 4) HDD power supply cutting

## 1.11 Advanced Power Management (APM)

The disk drive automatically shifts to the power saving mode according to the setting of the APM mode under the idle condition.

The APM mode can be chosen with a Sector Count register of the SET FEATURES (EF) command.

The disk drive complies with the three kinds of APM modes that a command from the host is required.

FR = 05h : Enable APM

SC = C0h - FEh : Mode-0 Active Idle → Low Power Idle

SC = 80h - BFh : Mode-1 Active Idle → Low Power Idle (Default)

SC = 01h - 7Fh : Mode-2 Active Idle → Low Power Idle

FR = 85h : Disable APM (Set Mode-0)

Active Idle: The head is in a position of extreme inner in disk

medium. (VCM Lock)

Low Power Idle: The head is unloaded from disk.  
The spindle motor rotates.

Standby: The spindle motor stops.

In APM Mode-1, which is the APM default mode, the operation status shifts till it finally reaches "Low Power Idle."

**Table 1.7 Advanced Power Management**

APM Mode	Active Idle (VCM Lock)	Low Power Idle (Unload)	Standby (Spin Off)
Mode-0	3-4 sec	15 min.	N/A
Mode-1	3-4 sec	10-40 sec	N/A
Mode-2	3-4 sec	10-40 sec	N/A

When the maximum time that the HDD is waiting for commands has been exceeded:

Mode-0: Mode shifts from Active condition to Active Idle in 3-4 seconds, and to Low Power Idle in 15 minutes.

Mode-1: Mode shifts from Active condition to Active Idle in 3-4 seconds and to Low Power Idle in 10-40 seconds.

Mode-2: Mode shifts from Active condition to Active Idle in 3-4 seconds and to Low Power Idle in 10-40 seconds.

Remark:

The default values of these settings are reflected in the WORD 91 values of the IDENTIFY DEVICE command. Also, the APM mode is initialized to Mode-1 (default value) at power-off.

The above mentioned is time until shifting to each power mode based on point that the drive becomes a command waiting state.

## 1.12 Interface Power Management (IPM)

### 1.12.1 Host-initiated interface power management (HIPM)

When the disk drive is waiting for commands, it can enter one of three IPM modes as requested by the host. The three IPM modes are:

- 1) Partial mode: PMREQ\_P is sent when the host requests the Partial mode.
- 2) Slumber mode: PMREQ\_S is sent when the host requests the Slumber mode.
- 3) Active mode: When the serial ATA interface is in active state.

There are three interface (I/F) power states: Active, Partial, and Slumber. As requested by the host, the disk drive switches its I/F power state from the Active state to the Partial state, or from the Active state to the Slumber state.

### 1.12.2 Device-initiated interface power management (DIPM)

If this function is enabled by Set Features command, the disk drive shifts to two kinds of IPM modes automatically under the Idle condition.

- 1) Partial mode: PMREQ\_P is sent when the disk drive requests the Partial mode.
- 2) Slumber mode: PMREQ\_S is sent when the disk drive requests the Slumber mode.

I/F power states

- 1) Active state

The SATA interface is active, and data can be sent and received.

- 2) Partial state

The SATA interface is in the Power Down state. In this state, the interface is switched to the Partial state when a PMREQ\_P signal is received from or sent to host. Because the return time to the Active state from the Partial state is specified as within 10  $\mu$ s, the degree of the I/F Power Save mode is shallow so that this recovery time is satisfied.

- 3) Slumber state

The SATA interface is in the Power Down state. In this state, the interface is switched to the Slumber state when a PMREQ\_S signal is received from or sent to host. Because the return time to the Active state from the Slumber state is specified as within 10 ms, the degree of the I/F Power Save mode is deep so that this recovery time is satisfied.



**Table 1.8 Interface power management**

IPM Mode	I/F power state	Return time to active	I/F condition
Active	Active State	–	Active
Partial	Partial State	5 to 10 $\mu$ s maximum	Power Down
Slumber	Slumber State	5 to 10 ms maximum	Power Down

This page is intentionally left blank.

# CHAPTER 2 Device Configuration

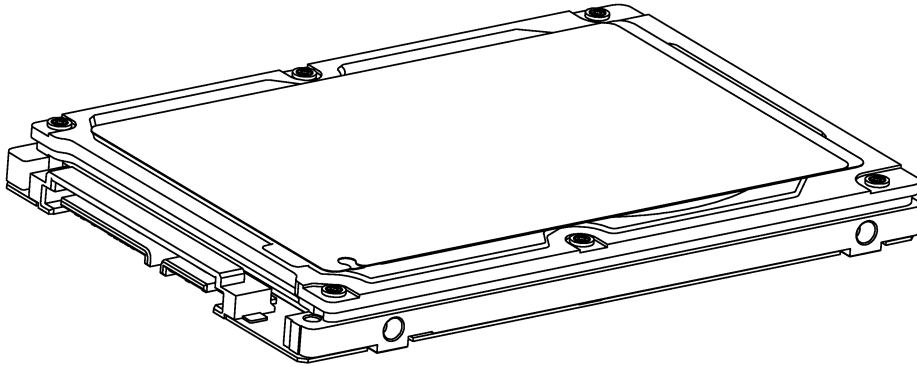
2.1 Device Configuration

2.2 System Configuration

This chapter describes the internal configurations of the hard disk drives and the configuration of the systems in which they operate.

## 2.1 Device Configuration

Figure 2.1 shows the disk drive. The disk drive consists of a disk enclosure (DE), read/write preamplifier, and controller PCA. The disk enclosure contains the disk media, heads, spindle motor, actuator, and a circulating air filter.



**Figure 2.1 Disk drive overview**

(1) Disk

The outer diameter of the disk is 65 mm. The inner diameter is 20 mm.

(2) Head

The heads are of the load/unload (L/UL) type. The head unloads the disk out of while the disk is not rotating and loads on the disk when the disk starts.

(3) Spindle motor

The disks are rotated by a direct drive Sensor-less DC motor.

(4) Actuator

The actuator uses a revolving voice coil motor (VCM) structure which consumes low power and generates very little heat. The head assembly at the edge of the actuator arm is controlled and positioned by feedback of the servo information read by the read/write head. If the power is not on or if the spindle motor is stopped, the head assembly stays on the ramp out of the disk and is fixed by a mechanical lock.

**(5) Air circulation system**

The disk enclosure (DE) is sealed to prevent dust and dirt from entering. The disk enclosure features a closed loop air circulation system that relies on the blower effect of the rotating disk. This system continuously circulates the air through the circulation filter to maintain the cleanliness of the air within the disk enclosure.

**(6) Read/write circuit**

The read/write circuit uses a LSI chip for the read/write preamplifier. It improves data reliability by preventing errors caused by external noise.

**(7) Controller circuit**

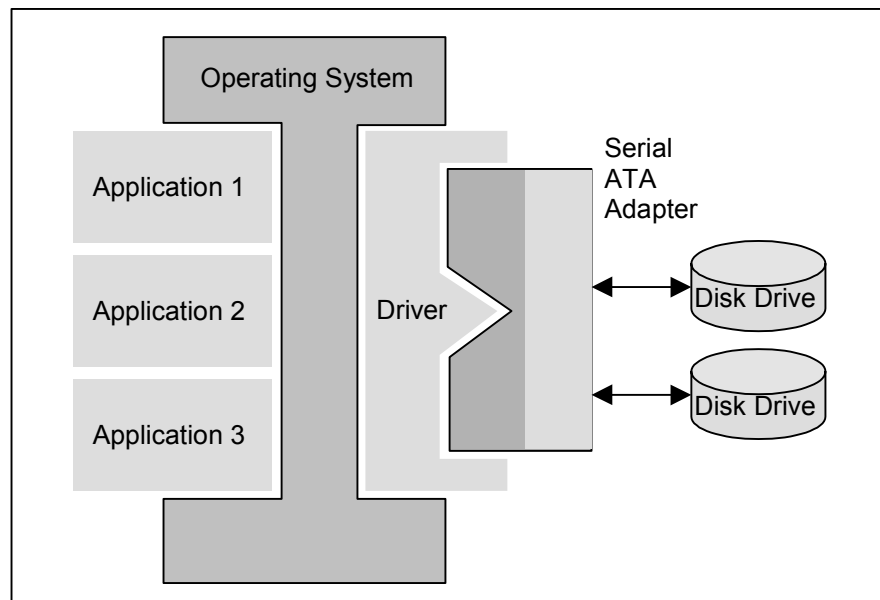
The controller circuit supports Serial-ATA interface, and it realized a high performance by integration into LSI.

## 2.2 System Configuration

### 2.2.1 SATA interface

Figure 2.2 shows the SATA interface system configuration. The disk drive complies with ATA-8 ACS, Serial ATA Revision 2.5 (Gen1i).

### 2.2.2 Drive connection



**Figure 2.2 Drive system configuration**

This page is intentionally left blank.

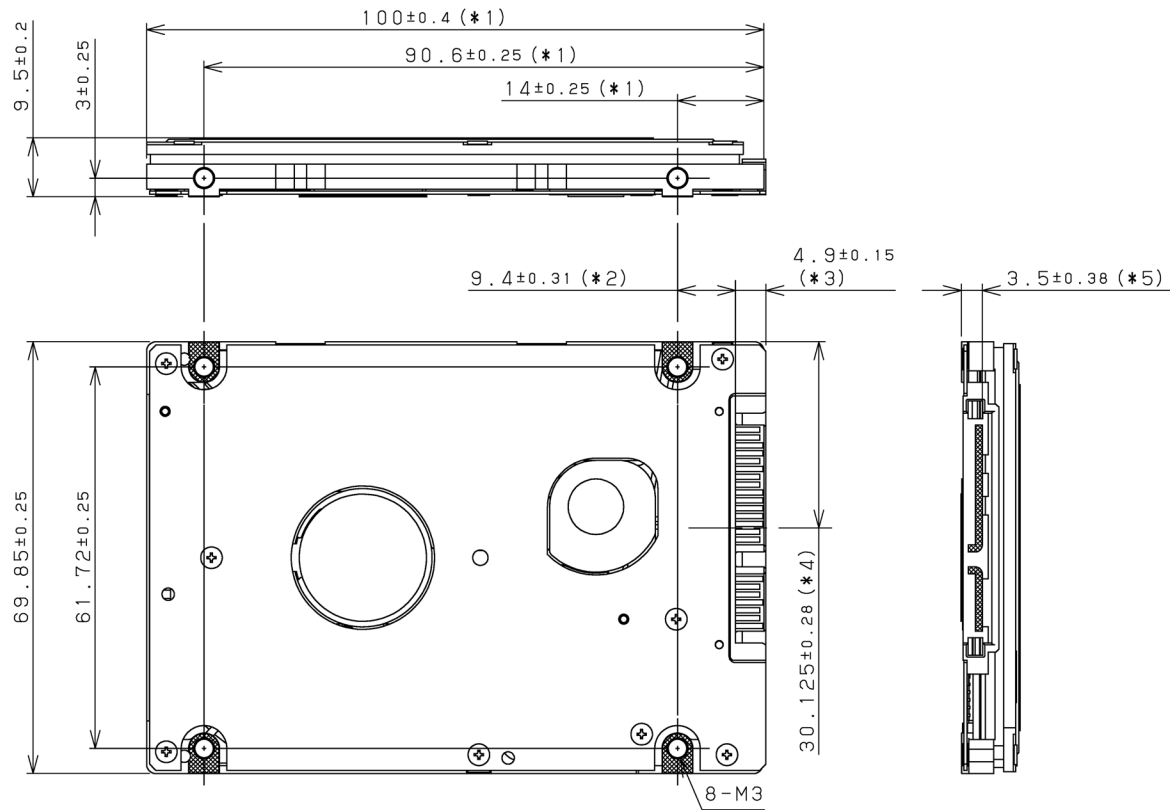
## CHAPTER 3 Installation Conditions

- 3.1 Dimensions
- 3.2 Mounting
- 3.3 Connections with Host System

This chapter gives the external dimensions, installation conditions, surface temperature conditions, cable connections, and switch settings of the hard disk drives.

### 3.1 Dimensions

Figure 3.1 illustrates the dimensions of the disk drive. All dimensions are in mm.



- \*1 The PCA and connectors are not included in these dimensions.
- \*2 Dimension from the center of the user tap to the base of the connector pins
- \*3 Length of the connector pins
- \*4 Dimension from the outer edge of the user tap to the center of the connector pins
- \*5 Dimension from the outer edge of the user tap to the innermost edge of the connector pins

**Figure 3.1 Dimensions**



## 3.2 Mounting

For information on mounting, see the "FUJITSU 2.5-INCH HDD INTEGRATION GUIDANCE (C141-E144)."

### (1) Orientation

The disk drives can be mounted in any direction.

### (2) Frame

The MR head bias of the HDD disk enclosure (DE) is zero. The mounting frame is connected to Signal Ground (SG).

### **IMPORTANT**

Use M3 screw for the mounting screw and the screw length should satisfy the specification in Figure 3.2.

The tightening torque must be  $0.49\text{N}\cdot\text{m}$  ( $5\text{kgf}\cdot\text{cm}$ ).

When attaching the HDD to the system frame, do not allow the system frame to touch parts (cover and base) other than parts to which the HDD is attached.

(3) Limitation of mounting

Note) These dimensions are recommended values; if it is not possible to satisfy them, contact us.

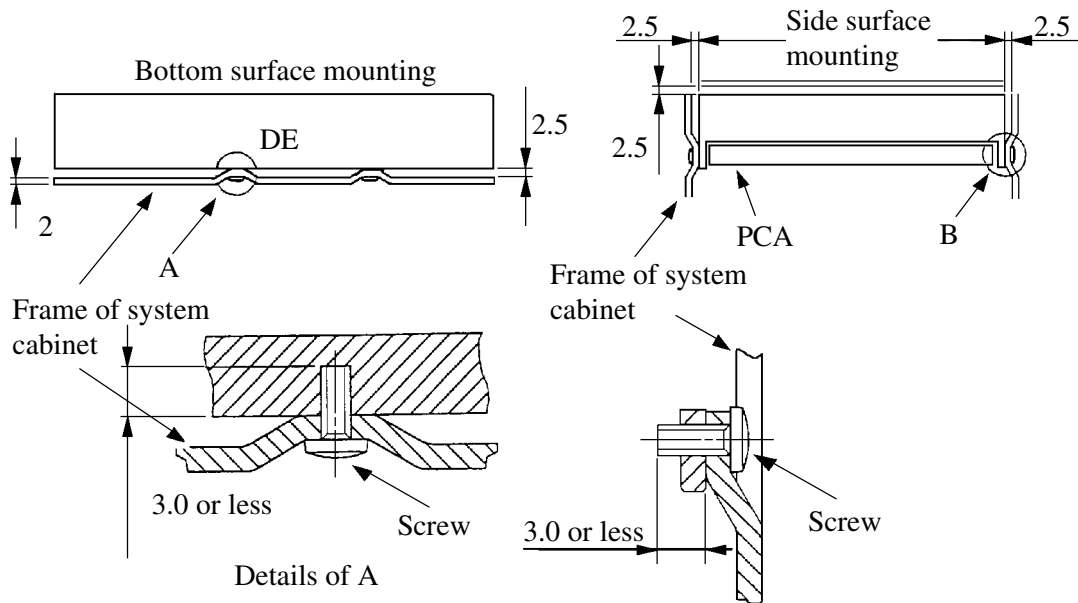


Figure 3.2 Mounting frame structure

## IMPORTANT

Because of breather hole mounted to the HDD, do not allow this to close during mounting.

Locating of breather hole is shown as Figure 3.3.

For breather hole of Figure 3.3, at least, do not allow its around  $\phi 3$  to block.

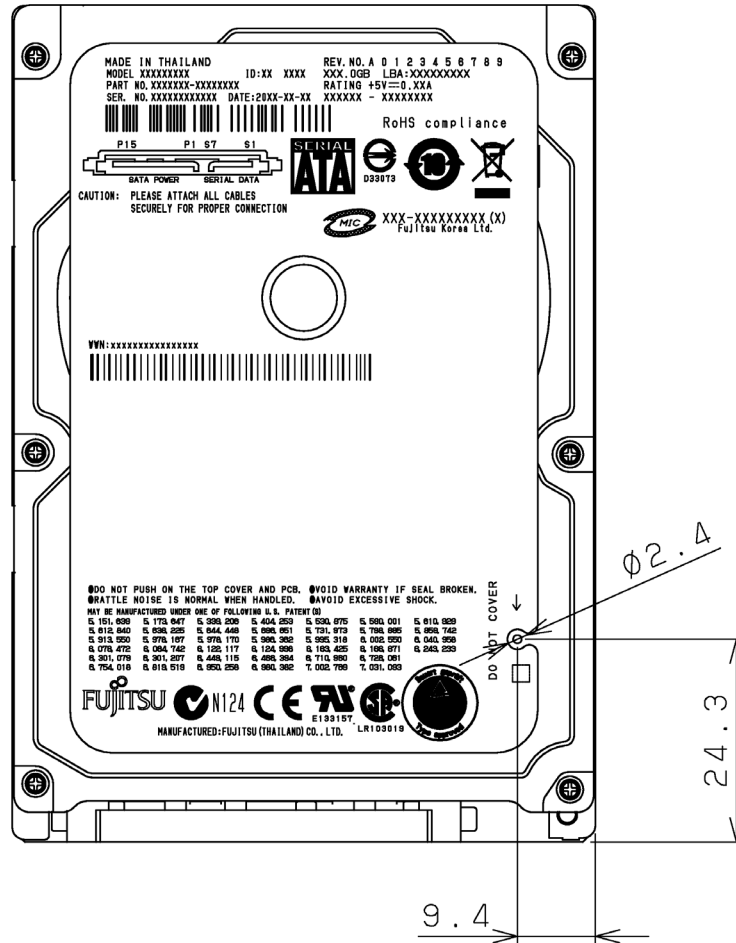
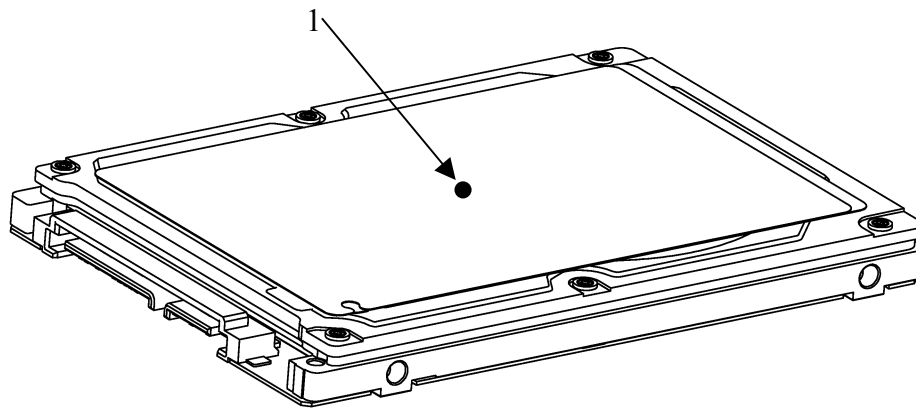


Figure 3.3 Location of breather

(4) Ambient temperature

The temperature conditions for a disk drive mounted in a cabinet refer to the ambient temperature at a point 3 cm from the disk drive. The ambient temperature must satisfy the temperature conditions described in Section 1.4, and the airflow must be considered to prevent the DE surface cover temperature from exceeding 60 °C.

Provide air circulation in the cabinet such that the PCA side, in particular, receives sufficient cooling. To check the cooling efficiency, measure the surface cover temperatures of the DE. Regardless of the ambient temperature, this surface cover temperature must meet the standards listed in Table 3.1. Figure 3.4 shows the temperature measurement point.



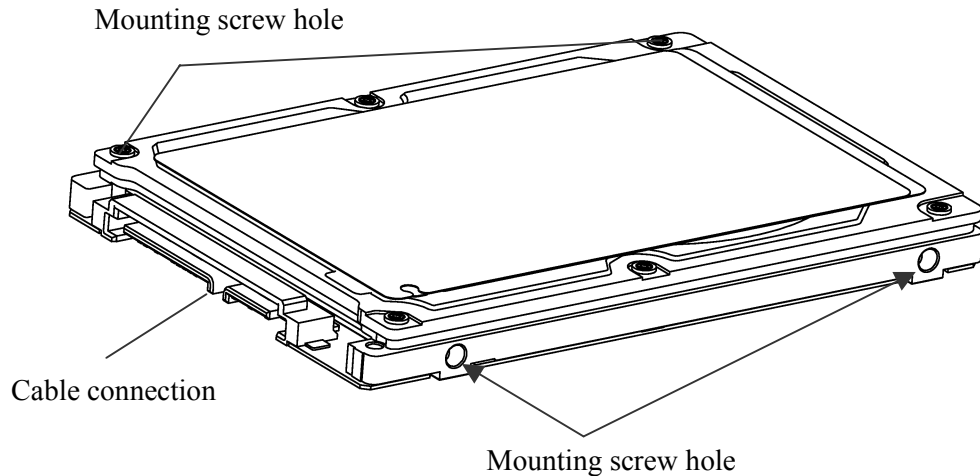
**Figure 3.4 Surface cover temperature measurement points**

**Table 3.1 Surface temperature measurement points and standard values**

No.	Measurement point	Temperature
1	DE cover	60 °C max

### (5) Service area

Figure 3.5 shows how the drive must be accessed (service areas) during and after installation.



**Figure 3.5 Service area**

## **CAUTION**

**Data corruption:** Avoid mounting the disk drive near strong magnetic sources such as loud speakers. Ensure that the disk drive is not affected by external magnetic fields.

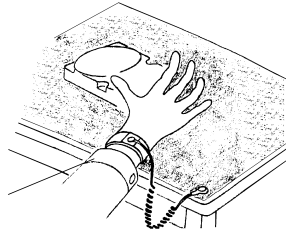
**Damage:** Do not press the cover of the disk drive. Pressing it too hard, the cover and the spindle motor contact, which may cause damage to the disk drive.

**Static:** When handling the device, disconnect the body ground (500 k $\Omega$  or greater). Do not touch the printed circuit board, but hold it by the edges.

### (6) Handling cautions

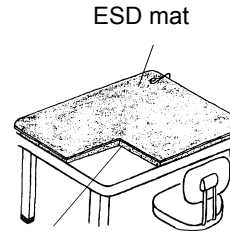
Please keep the following cautions, and handle the HDD under the safety environment.

- **General notes**



Wrist strap

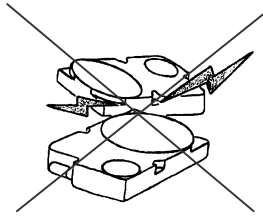
Use the Wrist strap.



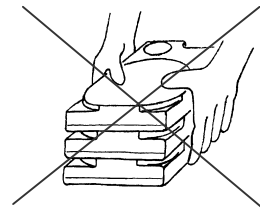
ESD mat

Shock absorbing mat

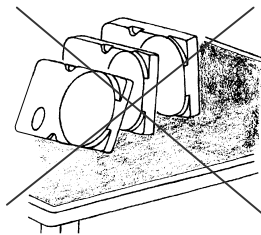
Place the shock absorbing mat on the operation table, and place ESD mat on it.



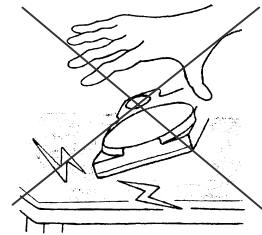
Do not hit HDD each other.



Do not stack when carrying.



Do not place HDD vertically to avoid falling down.



Do not drop.

**Figure 3.6 Handling cautions**

- **Installation**

- (1) Please use the driver of a low impact when you use an electric driver.  
HDD is occasionally damaged by the impact of the driver.
- (2) Please observe the tightening torque of the screw strictly.  
M3 ..... 0.49N • m (5 kgf • cm).

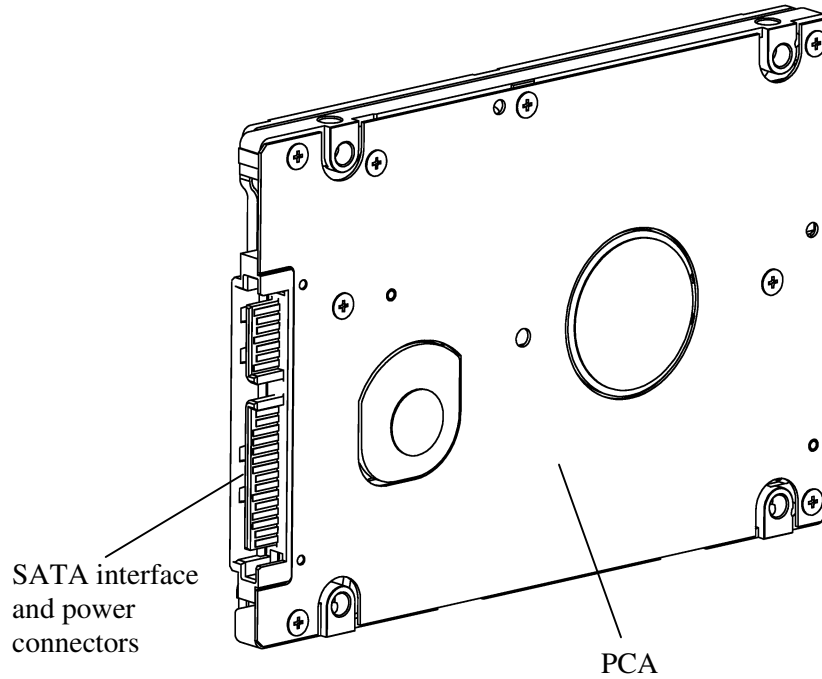
- **Recommended equipments**

	Contents	Model	Maker
ESD	Wrist strap	JX-1200-3056-8	SUMITOMO 3M
	ESD mat	SKY-8A (Color Seiden Mat)	Achilles
Shock	Low shock driver	SS-6500	HIOS

## 3.3 Connections with Host System

### 3.3.1 Device connector

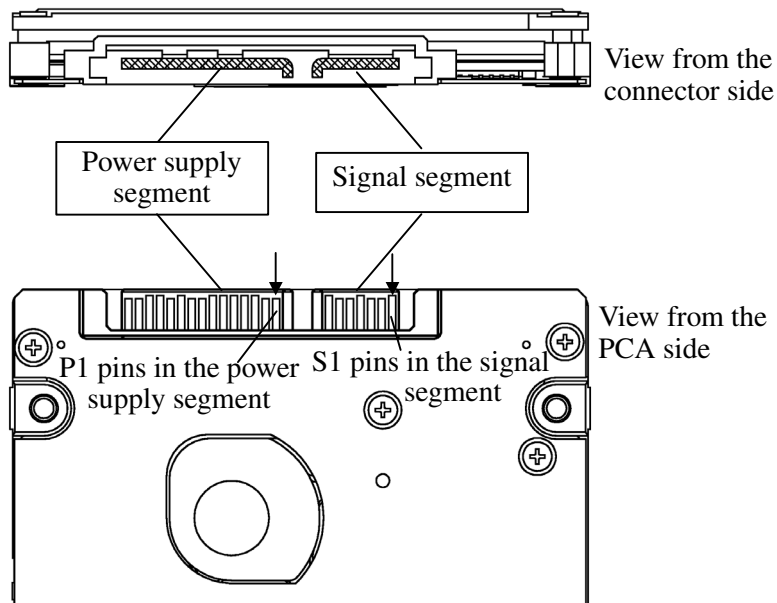
The disk drive has the SATA interface connectors listed below for connecting external devices. Figure 3.7 shows the locations of these connectors and terminals.



**Figure 3.7 Connector locations**

### 3.3.2 Signal segment and power supply segment

Figure 3.8 shows each segment of the SATA interface connector and pin numbers.



**Figure 3.8 Power supply pins (CN1)**

### 3.3.3 Connector specifications for host system

The connector of host system for mating with the disk drive must be compliant with Serial-ATA Revision 2.5 specification. For detail of requirements about SATA interface connector, refer to the "Serial-ATA Revision 2.5."

#### **IMPORTANT**

The connection reliability per number of insertion/extractions varies with the condition of the connection with the host system. Therefore, we recommend that the customer evaluate the connector on the customer's system and select it from the connectors complying with the Serial ATA Revision 2.5 specification.



### 3.3.4 SATA interface cable connection

The cable that connects the disk drive to the host system must be compliant with the Serial ATA Revision 2.5 specification.

### 3.3.5 Note about SATA interface cable connection

Take note of the following precaution about plugging a SATA interface cable into the SATA interface connector of the disk drive and plugging the connector into a host receptacle:

#### **IMPORTANT**

When plugging together the disk drive SATA interface connector and the host receptacle or SATA interface cable connector, do not apply more than 10 kgf of force in the connection direction once they are snugly and securely in position.

#### **IMPORTANT**

Removing the cable without releasing the SATA interface Latch may lead to connector damage and the loss of the Latch function. Accordingly, be sure to remove the cable while releasing the Latch.

This page is intentionally left blank.

# CHAPTER 4 Theory of Device Operation

- 4.1 Outline
- 4.2 Subassemblies
- 4.3 Circuit Configuration
- 4.4 Power-on Sequence
- 4.5 Self-calibration
- 4.6 Read/write Circuit
- 4.7 Servo Control

This chapter explains basic design concepts of the disk drive. Also, this chapter explains subassemblies of the disk drive, each sequence, servo control, and electrical circuit blocks.

## 4.1 Outline

This chapter consists of two parts. First part (Section 4.2) explains mechanical assemblies of the disk drive. Second part (Sections 4.3 through 4.7) explains a servo information recorded in the disk drive and drive control method.

## 4.2 Subassemblies

The disk drive consists of a disk enclosure (DE) and printed circuit assembly (PCA).

The DE contains all movable parts in the disk drive, including the disk, spindle, actuator, read/write head, and air filter. For details, see Subsections 4.2.1 to 4.2.4.

The PCA contains the control circuits for the disk drive. The disk drive has one PCA. For details, see Sections 4.3.

### 4.2.1 Disk

The DE contains disks with an outer diameter of 65 mm and an inner diameter of 20 mm.

Servo data is recorded on each cylinder (total 190). Servo data written at factory is read out by the read head. For servo data, see Section 4.7.

### 4.2.2 Spindle

The spindle consists of a disk stack assembly and spindle motor. The disk stack assembly is activated by the direct drive sensor-less DC spindle motor, which has a speed of 5,400 rpm  $\pm 1\%$ . The spindle is controlled with detecting a PHASE signal generated by counter electromotive voltage of the spindle motor at starting.

### 4.2.3 Actuator

The actuator consists of a voice coil motor (VCM) and a head carriage. The VCM moves the head carriage along the inner or outer edge of the disk. The head carriage position is controlled by feeding back the difference of the target position that is detected and reproduced from the servo information read by the read/write head.

#### 4.2.4 Air filter

There are two types of air filters: a breather filter and a circulation filter.

The breather filter makes an air in and out of the DE to prevent unnecessary pressure around the spindle when the disk starts or stops rotating. When disk drives are transported under conditions where the air pressure changes a lot, filtered air is circulated in the DE.

The circulation filter cleans out dust and dirt from inside the DE. The disk drive cycles air continuously through the circulation filter through an enclosed loop air cycle system operated by a blower on the rotating disk.

### 4.3 Circuit Configuration

Figure 4.1 shows the power supply configuration of the disk drive, and Figure 4.2 shows the disk drive circuit configuration.

#### (1) Read/write circuit

The read/write circuit consists of two circuits; read/write preamplifier (PreAMP) and read channel (RDC) which is integrated into LSI with MCU and HDC.

The PreAMP consists of the write current switch circuit, that flows the write current to the head coil, and the voltage amplifier circuit, that amplifies the read output from the head.

The RDC is the read demodulation circuit using the Modified Extended Partial Response (MEEP), and contains the Viterbi detector, programmable filter, adaptable transversal filter, times base generator, data separator circuits, RLL (Run Length Limited) encoder and servo demodulation circuit.

#### (2) Servo circuit

The position and speed of the voice coil motor are controlled by closed-loop servo using the servo information recorded on the data surface. The servo information is an analog signal converted to digital for processing by a MPU and then reconverted to an analog signal for control of the voice coil motor.

The MPU precisely sets each head on the track according on the servo information on the media surface.

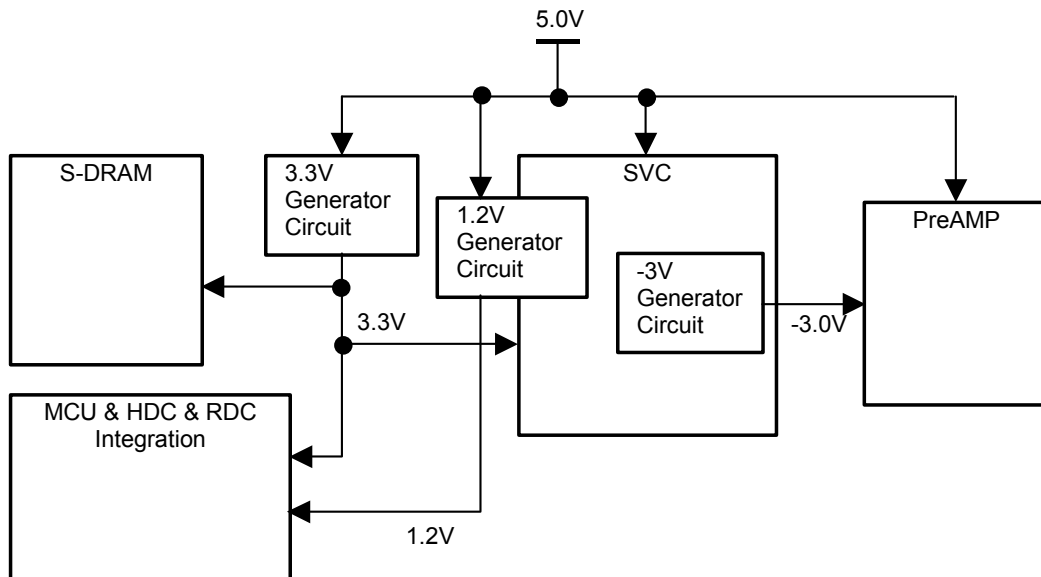
#### (3) Spindle motor driver circuit

The circuit measures the interval of a PHASE signal generated by counter-electromotive voltage of a motor and controls the motor speed comparing target speed.

#### (4) Controller circuit

Major functions are listed below.

- Serial-ATA interface control and data transfer control
- Data buffer management
- Sector format control
- Defect management
- ECC control
- Error recovery and self-diagnosis



**Figure 4.1 Power supply configuration**

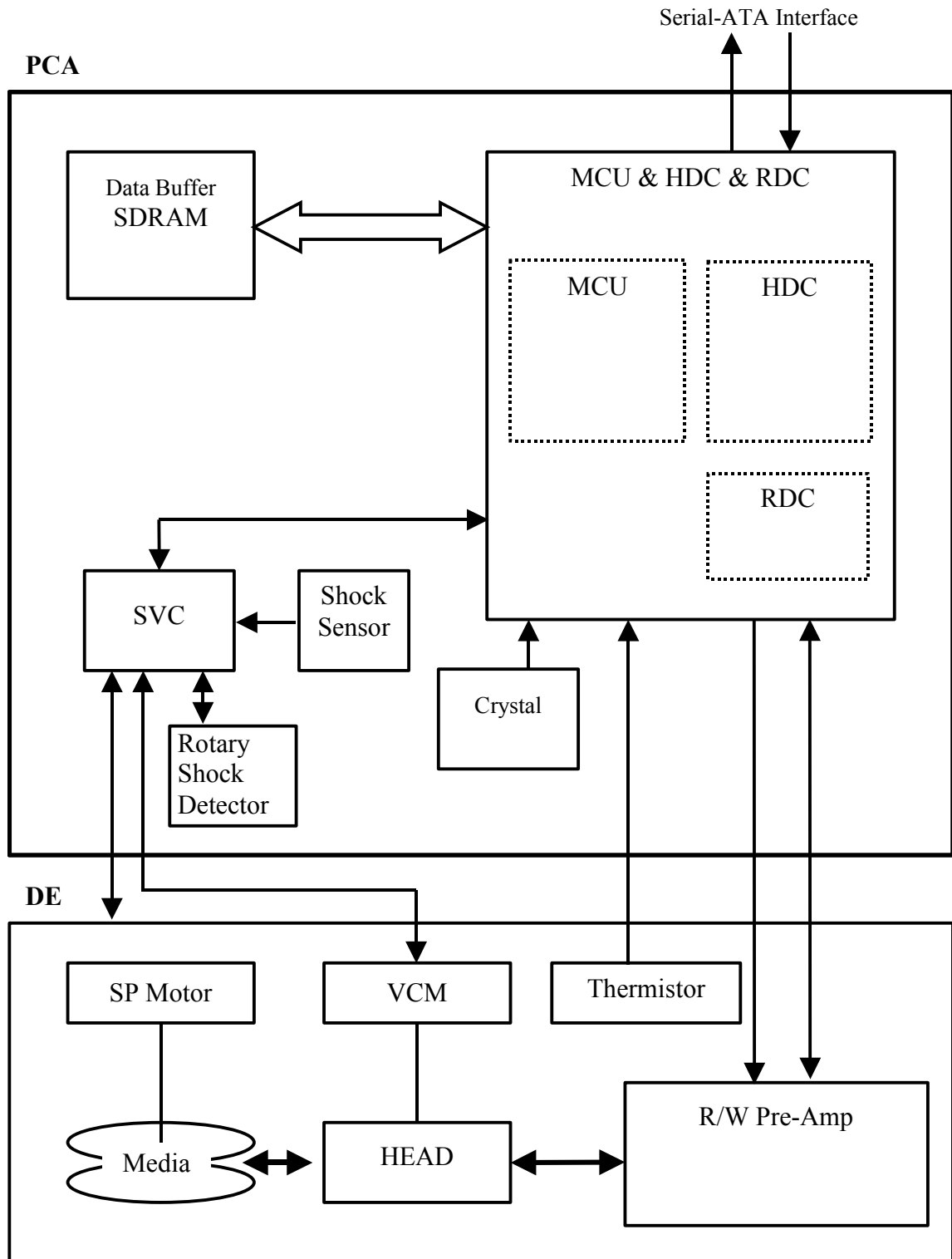


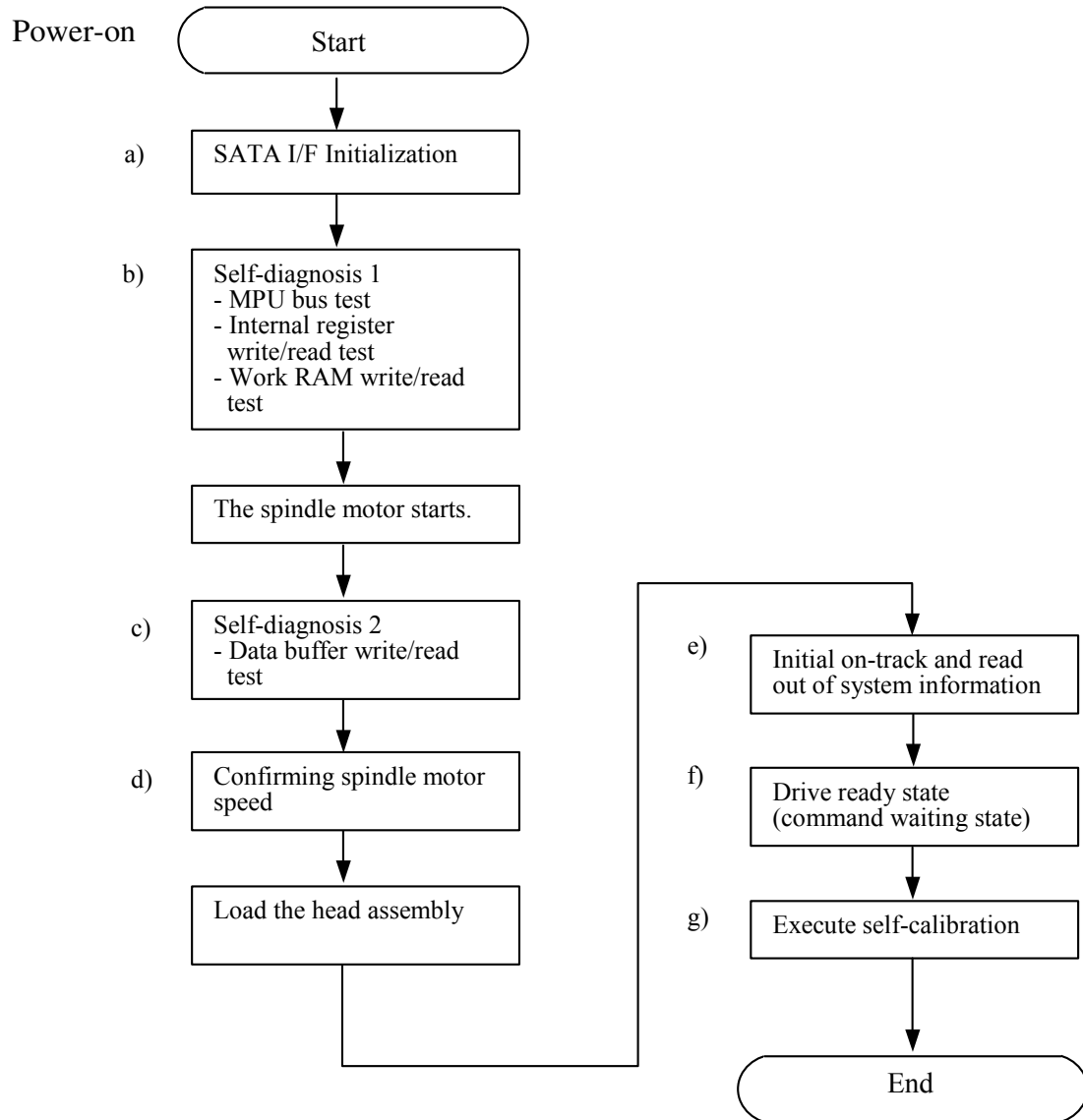
Figure 4.2 Circuit configuration

## **4.4 Power-on Sequence**

Figure 4.3 describes the operation sequence of the disk drive at power-on. The outline is described below.

- a) After the power is turned on, the disk drive initializes its SATA interface block.
- b) The disk drive executes the MPU bus test, internal register read/write test, and work RAM read/write test. When the self-diagnosis terminates successfully, the disk drive starts the spindle motor.
- c) The disk drive executes self-diagnosis (data buffer read/write test).
- d) After confirming that the spindle motor has reached rated speed, the head assembly is loaded on the disk.
- e) The disk drive positions the heads onto the SA area and reads out the system information.
- f) The drive becomes ready. The host can issue commands.
- g) The disk drive executes self-calibration. This collects data for VCM torque and mechanical external forces applied to the actuator, and updates the calibrating value.



**Figure 4.3 Power-on operation sequence**

## 4.5 Self-calibration

The disk drive occasionally performs self-calibration in order to sense and calibrate mechanical external forces on the actuator, and VCM torque. This enables precise seek and read/write operations.

### 4.5.1 Self-calibration contents

#### (1) Sensing and compensating for external forces

The actuator suffers from torque due to the FPC forces and winds accompanying disk revolution. The torque varies with the disk drive and the cylinder where the head is positioned. To execute stable fast seek operations, external forces are occasionally sensed.

The firmware of the drive measures and stores the force (value of the actuator motor drive current) that balances the torque for stopping head stably. This includes the current offset in the power amplifier circuit and DAC system.

The forces are compensated by adding the measured value to the specified current value to the power amplifier. This makes the stable servo control.

To compensate torque varying by the cylinder, the disk is divided into 13 areas from the innermost to the outermost circumference and the compensating value is measured at the measuring cylinder on each area at factory calibration. The measured values are stored in the SA cylinder. In the self-calibration, the compensating value is updated using the value in the SA cylinder.

#### (2) Compensating open loop gain

Torque constant value of the VCM has dispersion for each drive, and varies depending on the cylinder that the head is positioned. To realize the high speed seek operation, the value that compensates torque constant value change and loop gain change of the whole servo system due to temperature change is measured and stored.

For sensing, the firmware mixes the disturbance signal to the position signal at the state that the head is positioned to any cylinder. The firmware calculates the loop gain from the position signal and stores the compensation value against to the target gain as ratio.

For compensating, the direction current value to the power amplifier is multiplied by the compensation value. By this compensation, loop gain becomes constant value and the stable servo control is realized.

To compensate torque constant value change depending on cylinder, whole cylinders from most inner to most outer cylinder are divided into 13 partitions at calibration in the factory, and the compensation data is measured for representative cylinder of each partition. This measured value is stored in the SA area. The compensation value at self-calibration is calculated using the value in the SA area.

### 4.5.2 Execution timing of self-calibration

Self-calibration is performed once when power is turned on. After that, the disk drive does not perform self-calibration until it detects an error.

That is, self-calibration is performed each time one of the following events occur:

- In the case that the disk drive starts up normally, the first part of self-calibration starts after a lapse of 100 msec. The execution of first part is about 150 msec. length. The remains is executed thereafter the transfer to Active-Idle state which takes about 200 msec. The latter is interrupted when the disk drive receives a Host command, and it resumes after next transfer to Active-Idle state.
- The number of retries to write or seek data reaches the specified value.
- The error rate of data reading, writing, or seeking becomes lower than the specified value.

### 4.5.3 Command processing during self-calibration

This enables the host to execute the command without waiting for a long time, even when the disk drive is performing self-calibration. The command execution wait time is about maximum 72 ms.

When the error rate of data reading, writing, or seeking becomes lower than the specified value, self-calibration is performed to maintain disk drive stability.

If the disk drive receives a command execution request from the host while performing self-calibration, it stops the self-calibration and starts to execute the command. In other words, if a disk read or write service is necessary, the disk drive positions the head to the track requested by the host, reads or writes data, and then restarts calibration after about 3 seconds.

If the error rate recovers to a value exceeding the specified value, self-calibration is not performed.

## 4.6 Read/write Circuit

The read/write circuit consists of the read/write preamplifier (PreAMP), the write circuit, the read circuit, and the time base generator in the read channel (RDC) block which is integrated into LSI. Figure 4.4 is a block diagram of the read/write circuit.

### 4.6.1 Read/write preamplifier (PreAMP)

PreAMP equips a read preamplifier and a write current switch, that sets the bias current to the MR device and the current in writing. Each channel is connected to each data head, and PreAMP switches channel by serial I/O. In the event of any abnormalities, including a head short-circuit or head open circuit, the write unsafe signal is generated so that abnormal write does not occur.

### 4.6.2 Write circuit

The write data is transferred from the hard disk controller (HDC) to the RDC in LSI. The write data is sent to the PreAMP as differential signal from LSI, and the data is written onto the media.

#### (1) Write precompensation

Write precompensation compensates, during a write process, for write non-linearity generated at reading.

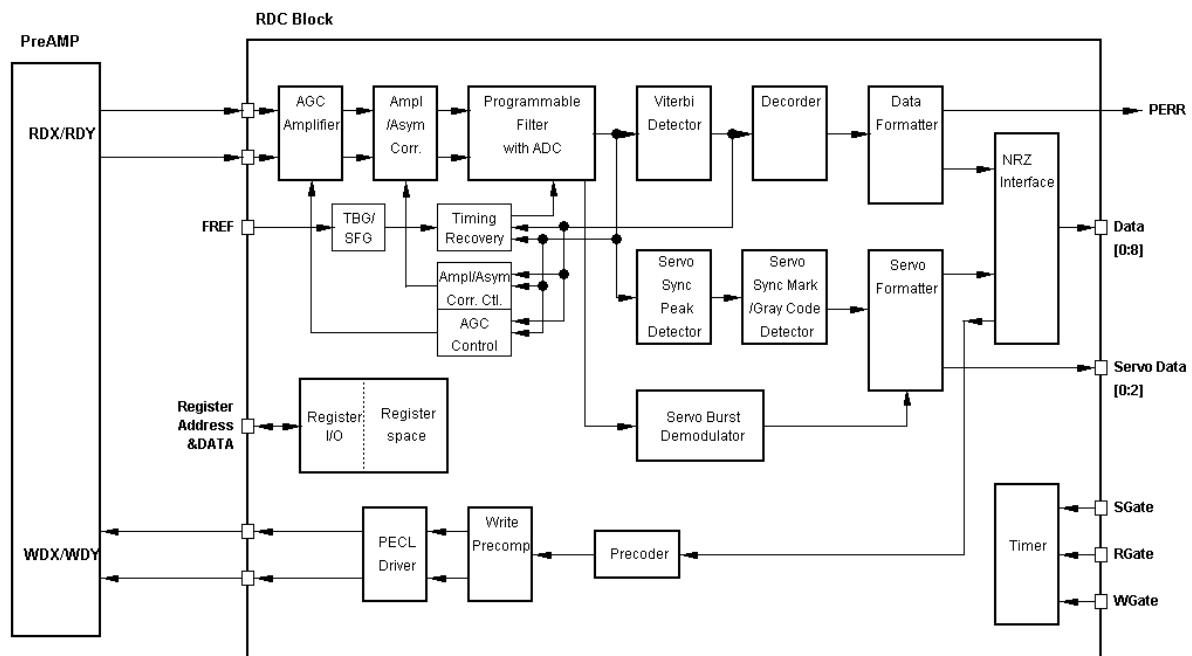


Figure 4.4 Read/write circuit block diagram

### 4.6.3 Read circuit

The head read signal from the PreAMP is regulated by the automatic gain control (AGC) circuit. Then the output is converted into the sampled read data pulse by the programmable filter circuit and the flash digitizer circuit. This signal is converted into the read data by the decoder circuit based on the read data maximum-likelihood-detected by the Viterbi detection circuit.

#### (1) AGC circuit

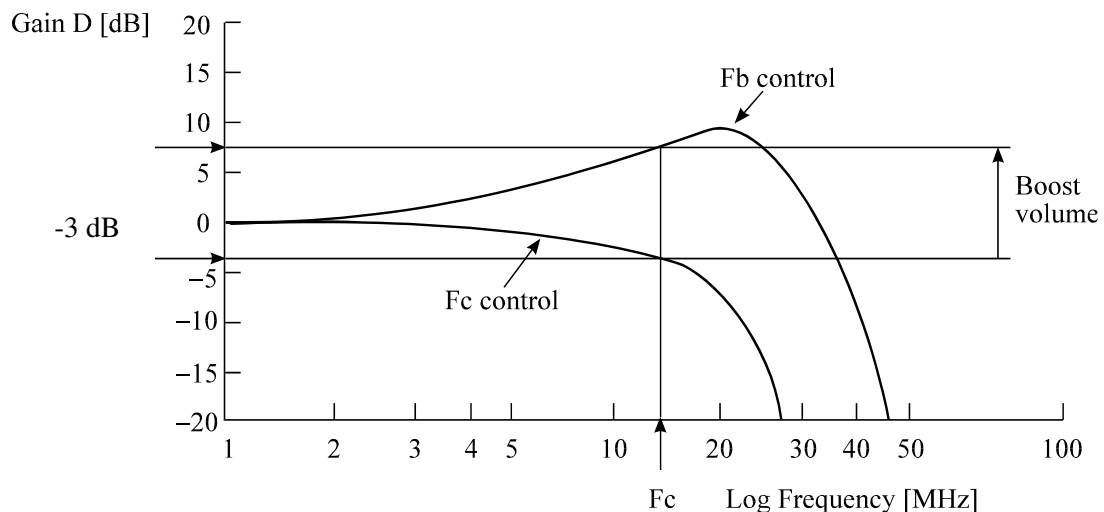
The AGC circuit automatically regulates the output amplitude to a constant value even when the input amplitude level fluctuates. The AGC amplifier output is maintained at a constant level even when the head output fluctuates due to the head characteristics or outer/inner head positions.

#### (2) Programmable filter circuit

The programmable filter circuit has a low-pass filter function that eliminates unnecessary high frequency noise component and a high frequency boost-up function that equalizes the waveform of the read signal.

Cut-off frequency of the low-pass filter and boost-up gain are controlled from the register in read channel block. The MPU optimizes the cut-off frequency and boost-up gain according to the transfer frequency of each zone.

Figure 4.5 shows the frequency characteristic sample of the programmable filter.



**Figure 4.5 Frequency characteristic of programmable filter**

(3) FIR circuit

This circuit is 10-tap sampled analog transversal filter circuit that equalizes the head read signal to the Modified Extended Partial Response (MEEPR) waveform.

(4) A/D converter circuit

This circuit changes Sampled Read Data Pulse from the FIR circuit into Digital Read Data.

(5) Viterbi detection circuit

The sample hold waveform output from the flash digitizer circuit is sent to the Viterbi detection circuit. The Viterbi detection circuit demodulates data according to the survivor path sequence.

#### **4.6.4 Digital PLL circuit**

The drive uses constant density recording to increase total capacity. This is different from the conventional method of recording data with a fixed data transfer rate at all data area. In the constant density recording method, data area is divided into zones by radius and the data transfer rate is set so that the recording density of the inner cylinder of each zone is nearly constant. The drive divides data area into 30 zones to set the data transfer rate.

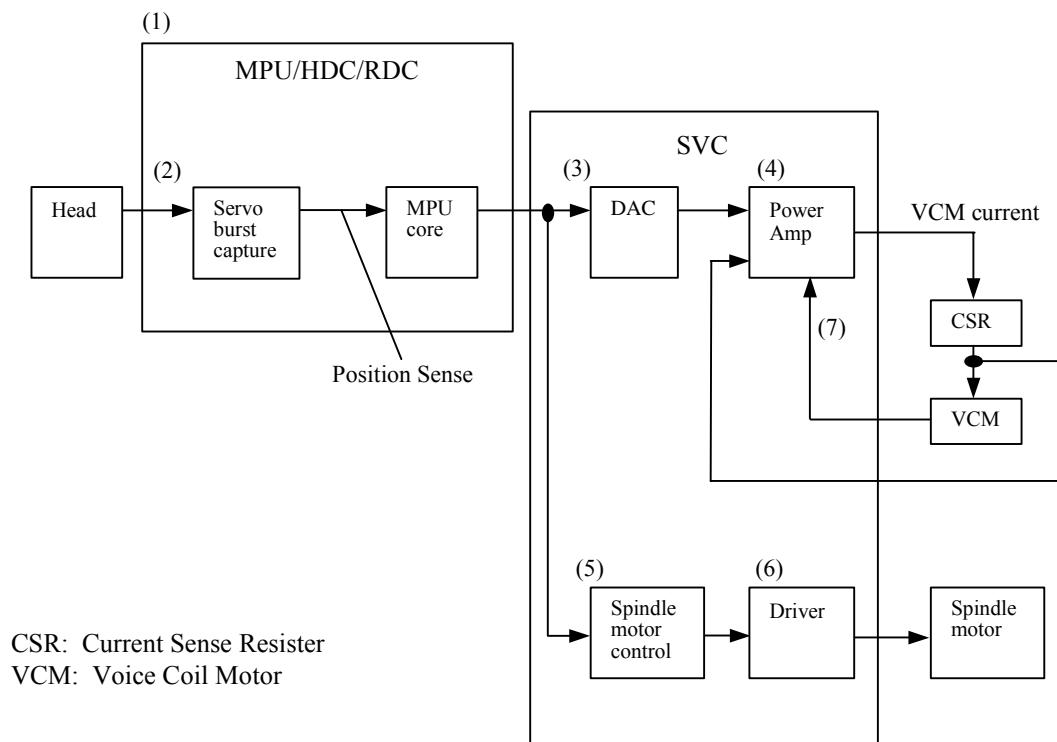
The MPU set the data transfer rate setup data (SD/SC) to the RDC block that includes the Digital PLL circuit to change the data transfer rate.

## 4.7 Servo Control

The actuator motor and the spindle motor are submitted to servo control. The actuator motor is controlled for moving and positioning the head to the track containing the desired data. To turn the disk at a constant velocity, the actuator motor is controlled according to the servo data that is written on the data side beforehand.

### 4.7.1 Servo control circuit

Figure 4.6 is the block diagram of the servo control circuit. The following describes the functions of the blocks:



**Figure 4.6 Block diagram of servo control circuit**

(1) Microprocessor unit (MPU)

The MPU executes startup of the spindle motor, movement to the reference cylinder, seek to the specified cylinder, and calibration operations.

The main internal operations of the MPU are shown below.

a. Spindle motor start

Starts the spindle motor and accelerates it to normal speed when power is applied.

b. Move head to reference cylinder

Drives the VCM to position the head at the any cylinder in the data area. The logical initial cylinder is at the outermost circumference (cylinder 0).

c. Seek to specified cylinder

Drives the VCM to position the head to the specified cylinder.

d. Calibration

Senses and stores the thermal offset between heads and the mechanical forces on the actuator, and stores the calibration value.

(2) Servo burst capture circuit

The servo burst capture circuit reproduces signals (position signals) that indicate the head position from the servo data on the data surface. From the servo area on the data area surface, via the data head, the burst signals of EVEN1, ODD, EVEN2 are output as shown in Figure 4.8 in subsequent to the servo mark, gray code that indicates the cylinder position, and index information. The servo signals do A/D-convert by Fourier-demodulator in the servo burst capture circuit. At that time the AGC circuit is in hold mode. The A/D converted data is recognized by the MPU as position information.

(3) D/A converter (DAC)

The control program calculates the specified data value (digital value) of the VCM drive current, and the value is converted from digital-to-analog so that an analog output voltage is sent to the power amplifier.

(4) Power amplifier

The power amplifier feeds currents, corresponding to the DAC output signal voltage to the VCM.

(5) Spindle motor control circuit

The spindle motor control circuit controls the sensor-less spindle motor. A spindle driver IC with a built-in PLL circuit that is on a hardware unit controls the sensor-less spindle motor.



(6) Driver circuit

The driver circuit is a power amplitude circuit that receives signals from the spindle motor control circuit and feeds currents to the spindle motor.

(7) VCM current sense resistor (CSR)

This resistor controls current at the power amplifier by converting the VCM current into voltage and feeding back.

### 4.7.2 Data-surface servo format

Figure 4.7 describes the physical layout of the servo frame. The three areas indicated by (1) to (3) in Figure 4.7 are described below.

(1) Inner guard band

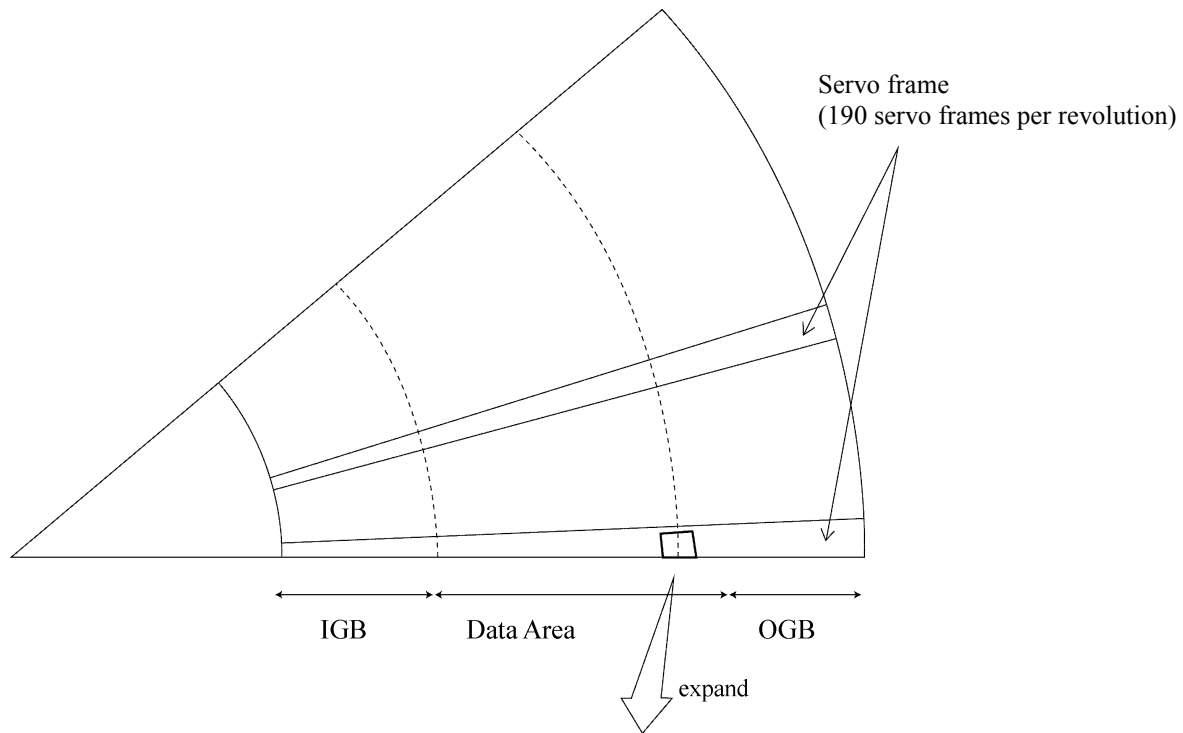
This area is located inside the user area, and the rotational speed of the VCM can be controlled on this cylinder area for head moving.

(2) Data area

This area is used as the user data area and SA area.

(3) Outer guard band

This area is located at outer position of the user data area, and the rotational speed of the spindle can be controlled on this cylinder area for head moving.



CYL <sub>n</sub> + 1		CYL <sub>n</sub>	CYL <sub>n</sub> - 1 (n: even number)	↔ Diameter direction
W/R Recovery	W/R Recovery	W/R Recovery		
Servo Mark	Servo Mark	Servo Mark		
Gray Code	Gray Code	Gray Code		
EVEN1				↓
ODD				↓
EVEN2				Circumference Direction
Post code (particular models only)				
PAD				Erase: DC erase area

**Figure 4.7 Physical sector servo configuration on disk surface**

### 4.7.3 Servo frame format

As the servo information, the IDD uses the phase signal servo generated from the gray code and servo EVEN and ODD. This servo information is used for positioning operation of radius direction and position detection of circumstance direction.

Basically, the servo frame consists of 5 blocks; write/read recovery, servo mark, gray code, Burst EVEN1, Burst ODD, Burst EVEN2, and PAD. Figure 4.8 shows the servo frame format.

Write/read recovery	Servo mark	Gray code	Burst EVEN1	Burst ODD	Burst EVEN2	Post code (particular models only)	PAD
---------------------	------------	-----------	-------------	-----------	-------------	---------------------------------------	-----

**Figure 4.8 Servo frame format**

(1) Write/read recovery

This area is used to absorb the write/read transient and to stabilize the AGC.

(2) Servo mark

This area generates a timing for demodulating the gray code and position-demodulating the burst signal by detecting the servo mark.

(3) Gray code (including sector address bits)

This area is used as cylinder address. The data in this area is converted into the binary data by the gray code demodulation circuit.

(4) Burst Even1, Burst Odd, Burst Even2

These areas are used as position signals between tracks and the IDD control so that target phase signal is generated from Burst Even and Burst Odd.

(5) Post code (particular models only)

This area is used for the precise correction of the servo information which is recorded on the media.

(6) PAD

This area is used as a gap between servo and data.

#### 4.7.4 Actuator motor control

The voice coil motor (VCM) is controlled by feeding back the servo data recorded on the data surface. The MPU fetches the position sense data on the servo frame at a constant interval of sampling time, executes calculation, and updates the VCM drive current.

The servo control of the actuator includes the operation to move the head to the reference cylinder, the seek operation to move the head to the target cylinder to read or write data, and the track-following operation to position the head onto the target track.

##### (1) Operation to move the head to the reference cylinder

The MPU moves the head to the reference cylinder when the power is turned. The reference cylinder is in the data area.

When power is applied the heads are moved from the outside of media to the normal servo data zone in the following sequence:

- a) Micro current is fed to the VCM to press the head against the outer direction.
- b) The head is loaded on the disk.
- c) When the servo mark is detected the head is moved slowly toward the inner circumference at a constant speed.
- d) If the head is stopped at the reference cylinder from there. Track following control starts.

##### (2) Seek operation

Upon a data read/write request from the host, the MPU confirms the necessity of access to the disk. If a read/write instruction is issued, the MPU seeks the desired track.

The MPU feeds the VCM current via the D/A converter and power amplifier to move the head. The MPU calculates the difference (speed error) between the specified target position and the current position for each sampling timing during head moving. The MPU then feeds the VCM drive current by setting the calculated result into the D/A converter. The calculation is digitally executed by the firmware. When the head arrives at the target cylinder, the track is followed.

##### (3) Track following operation

Except during head movement to the reference cylinder and seek operation under the spindle rotates in steady speed, the MPU does track following control. To position the head at the center of a track, the DSP drives the VCM by feeding micro current. For each sampling time, the VCM drive current is determined by filtering the position difference between the target position and the position clarified by the detected position sense data. The filtering includes servo compensation. These are digitally controlled by the firmware.

### 4.7.5 Spindle motor control

Hall-less three-phase twelve-pole motor is used for the spindle motor, and the PWM type current control circuit is used as the spindle motor driver (called SVC hereafter). The firmware operates on the MPU manufactured by Fujitsu. The spindle motor is controlled by sending several signals including the serial data from the MPU to the SVC. There are three modes for the spindle control; start mode, acceleration mode, and stable rotation mode.

#### (1) Start mode

When power is supplied, the spindle motor is started in the following sequence:

- a) After the power is turned on, the MPU sends the serial data to the SVC to charge the charge pump capacitor of the SVC.
- b) When the charge pump capacitor is charged enough, the MPU sets the SVC to the motor start mode.  
It moves to 3) or 5) step depending on the condition of spindle motor. It is treated as the stop condition, it moves to the step 3). Whereas, it is treated as the free-wheeling condition, it moves to the step 5).
- c) The phase of the current flowed in the motor is changed in the order of (V-phase to U-phase), (W-phase to U-phase), (W-phase to V-phase), (U-phase to V-phase), (U-phase to W-phase), and (V-phase to W-phase) (after that, repeating this order).  
The above operations mean the generation of rotational magnetic field.
- d) During phase switching, the spindle motor starts rotating in low speed, and generates a back electromotive force. The SVC detects this back electromotive force and reports to the MPU using a PHASE signal for speed detection.
- e) The MPU is waiting for a PHASE signal. When no phase signal is sent for a specific period, the MPU resets the SVC and starts from the beginning. When a PHASE signal is sent, the SVC enters the acceleration mode.

#### (2) Acceleration mode

In this mode, the MPU stops the phase switching to the SVC. The SVC starts a phase switching by itself based on the back electromotive force. Then, rotation of the spindle motor accelerates. The MPU calculates a rotational speed of the spindle motor based on the PHASE signal from the SVC, and waits till the rotational speed reaches 5,400 rpm. When the rotational speed reaches 5,400 rpm, the SVC enters the stable rotation mode.

#### (3) Stable rotation mode

The SVC builds the PLL circuit into, and to become the rotational speed of the target, controls a stable rotation with hardware.

The firmware calculates time of one rotation from PHASE signal. PHASE signal is outputted from the SVC. And the firmware observes an abnormal rotation.

This page is intentionally left blank.

# CHAPTER 5 Interface

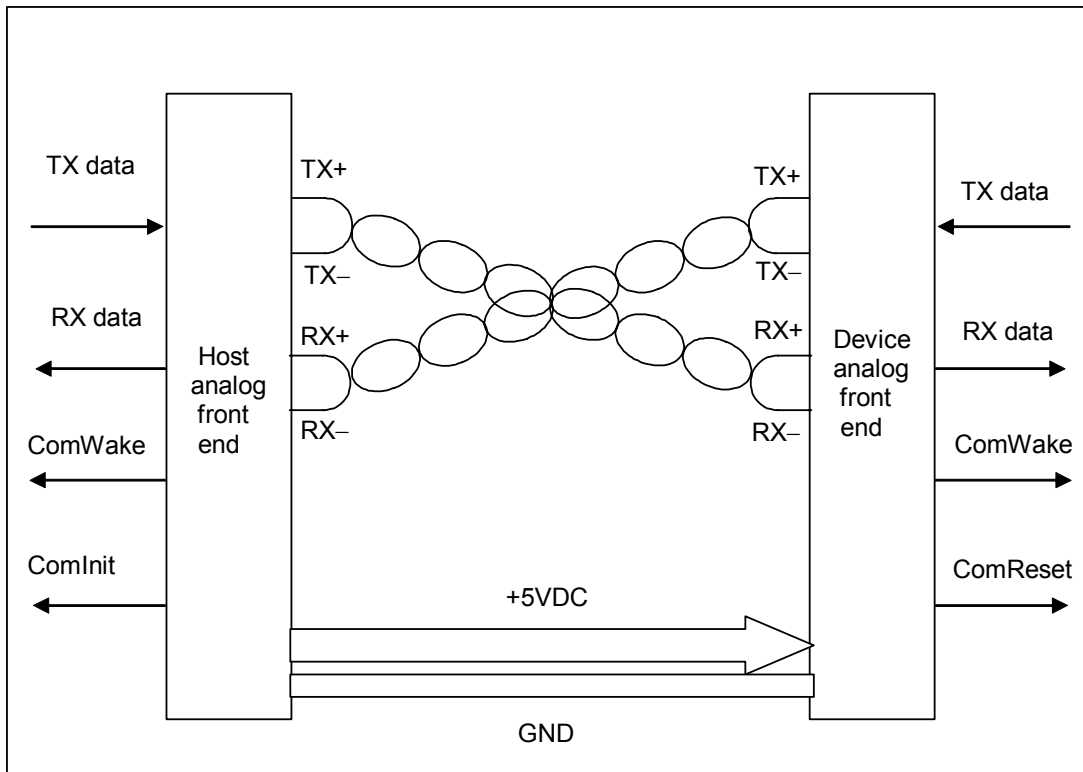
- 5.1 Physical Interface
- 5.2 Logical Interface
- 5.3 Host Commands
- 5.4 Command Protocol
- 5.5 Power-on and COMRESET

This chapter gives details about the interface, and the interface commands and timings.

## 5.1 Physical Interface

### 5.1.1 Interface signals

Figure 5.1 shows the interface signals.



**Figure 5.1 Interface signals**

An explanation of each signal is provided below.

#### TX + / TX -

These signals are the outbound high speed differential signals that are connected to the serial ATA cable.

#### RX + / RX -

These signals are the inbound high speed differential signals that are connected to the serial ATA cable.

#### TxDATA

Serially encoded 10b data attached to the high speed serial differential line driver



RxData

Serially encoded 10b data attached to the high speed serial differential line receiver

COMWAKE

Signal from the out of band detector that indicates the COMWAKE out of band signal is being detected.

COMRESET / COMINIT

Host: Signal from the out of band detector that indicates the COMINIT out of band signal is being detected.

Device: Signal from the out of band detector that indicates the COMRESET out of band signal is being detected.

5VDC/GND

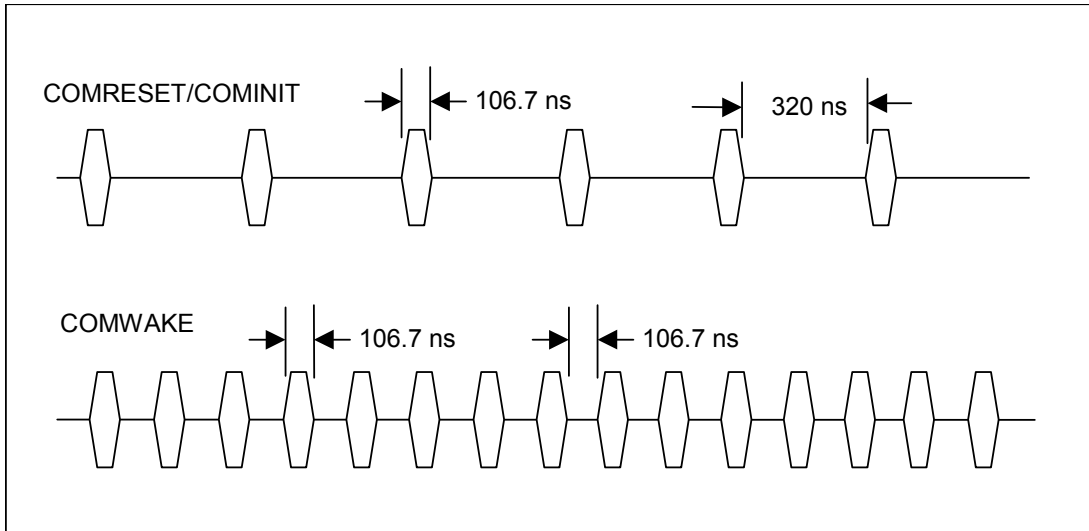
5VDC: +5 V power supply to the disk drive

GND: Ground for each signal and +5 V power supply

## 5.1.2 Signal interface regulation

### 5.1.2.1 Out of band signaling

During OOB signaling transmissions, the differential and common mode levels of the signal lines shall comply with the same electrical specifications as for in-band data transmission, specified as follows.



### 5.1.2.2 Primitives descriptions

The following table contains the primitive mnemonics and a brief description of each.

Primitive	Name	Description
ALIGN	Physical layer control	Upon receipt of an ALIGN, the physical layer readjusts internal operations as necessary to perform its functions correctly.
CONT	Continue repeating previous primitive	The CONT primitive allows long strings of repeated primitives to be eliminated. The CONT primitive implies that the previously received primitive be repeated as long as another primitive is not received.
EOF	End of frame	EOF marks the end of a frame.
PMACK	Power management acknowledge	Sent in response to a PMREQ_S or PMREQ_P when a receiving node is prepared to enter a power mode state.
HOLD	Hold data transmission	HOLD is transmitted in place of payload data within a frame when the transmitter does not have the next payload data ready for transmission. HOLD is also transmitted on the backchannel when a receiver is not ready to receive additional payload data.
HOLDA	Hold acknowledge	This primitive is sent by a transmitter as long the HOLD primitive is received by its companion receiver.
PMNAK	Power management denial	Sent in response to a PMREQ_S or PMREQ_P when a receiving node is not prepared to enter a power mode state or when power management is not supported.
PMREQ_P	Power management request to partial	This primitive is sent continuously until PMACK or PMNAK is received. When PMACK is received, current node (host or device) will stop PMREQ_P and enters the Partial power management state.
PMREQ_S	Power management request to slumber	This primitive is sent continuously until PMACK or PMNAK is received. When PMACK is received, current node (host or device) will stop PMREQ_S and enters the Slumber power management state.
R_ERR	Reception error	Current node (host or device) detected error in received payload.

---

Primitive	Name	Description
R_IP	Reception in progress	Current node (host or device) is receiving payload.
R_OK	Reception with no error	Current node (host or device) detected no error in received payload.
R_RDY	Receiver ready	Current node (host or device) is ready to receive payload.
SOF	Start of frame	Start of a frame. Payload and CRC follow to EOF.
SYNC	Synchronization	Synchronizing primitive - always idle.
WTRM	Wait for frame termination	After transmission of any of the EOF, the transmitter will transmit WTRM while waiting for reception status from receiver.
X_RDY	Transmission data ready	Current node (host or device) has payload ready for transmission.

### 5.1.3 Electrical specifications

For the electrical requirements of physical layer, refer to "Electrical specifications" section in the "Serial-ATA Revision 2.5."

### 5.1.4 Connector pinouts

The pin definitions are shown in Table 5.1.

**Table 5.1 Connector pinouts**

Signal segment key			
Signal segment	S1	Gnd	2nd mate
	S2	A+	Differential signal pair A from Phy
	S3	A-	
	S4	Gnd	2nd mate
	S5	B-	Differential signal pair B from Phy
	S6	B+	
	S7	Gnd	2nd mate
"Key and spacing separate signal and power segments"			
Power segment	P1	V33	N.C.(Open)
	P2	V33	N.C.(Open)
	P3	V33	N.C.(Open)
	P4	Gnd	1st mate
	P5	Gnd	2nd mate
	P6	Gnd	2nd mate
	P7	V5	5 V power, pre-charge, 2nd mate
	P8	V5	5 V power
	P9	V5	5 V power
	P10	Gnd	2nd mate
	P11	Staggered Spin-up Mode/ Activity LED	<ul style="list-style-type: none"> <li>• Staggered Spin-up mode detect for input</li> <li>• Activity LED drive for output</li> </ul> For the specification of P11, see Section 5.1.5. (in next page) When the host system does not use these function, the corresponding pin to be mated with P11 in the power cable receptacle connector shall be grounded.
	P12	Gnd	1st mate
	P13	V12	N.C.(Open)
	P14	V12	N.C.(Open)
	P15	V12	N.C.(Open)
Power segment key			
Notes:			

Note) Since applying a single external supply voltage of 5 V enables this drive to operate it is unnecessary to supply +3.3 V and +12 V power supplies.

### 5.1.5 P11 function

The disk drive supports the following functions when P11 pin in the power supply segment of interface connector is used as an input or output pin.

P11 pin supports the functions as follows:

- Staggered Spin-up: Use P11 as an input pin
- Driving Activity LED: Use P11 as an output pin

The following is P11 setting and hardware requirement for these functions.

#### 5.1.5.1 Staggered Spin-up

It is able to set whether the disk drive spins up at power on or not, by input voltage level of 11th pin at the power supply segment on the interface connector.

- P11 → Open (no connection): Staggered Mode Enable.  
The disk drive does not spin up until after successful Phy initialization at power on. (Default setting)
- P11 → Grounded (0.8 V or less): Staggered Mode Disable.  
The disk drive spins up at power on.
- P11 → "High" level (The P11 line in the host system is pulled up by resistor [recommended value: 1 to 5.1 kΩ] to power supply in the host system [Recommended voltage: 2V (3.3V or less)]):  
Staggered Mode Enable  
The drive does not spin up until after successful Phy initialization at power on.

#### 5.1.5.2 Driving Activity LED

It is possible that the disk drive is able to drive P11 pin as output for indication of Activity LED.

- P11 output level → "Low": It indicates that the command is in execution. (LED is on)
- P11 output level → "High": It indicates that the command is not in execution. (LED is off)

It is necessary to meet the requirements for P11 as output pin in case of driving Activity LED.

Table 5.2 Requirements for P11 as an output pin

	Asserted	Deasserted
$V_{ACT}$	$\leq 0.7V$	$\geq 0.7V$
$I_{ACT}$	-	+50uA

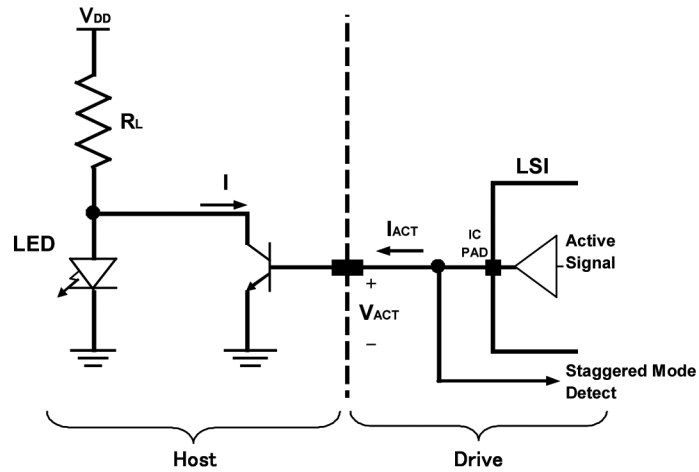


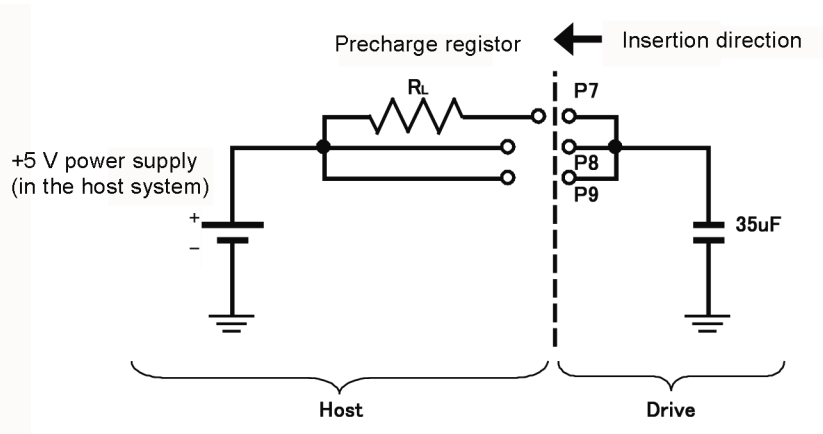
Figure 5.2 Example of the circuit for driving Activity LED

### 5.1.6 Hot Plug

The disk drive is "Hot Plug Capable" which is based on Serial ATA Revision 2.5.

It is recommended to use the pre-charge resistor for protection from over current at +5V power supply circuit in the host system when the disk drive is hot-plugged. (Refer to the Serial ATA Revision 2.5.)

The equivalent circuit of +5V power supply at Hot Plugging is in the following figure.



It is necessary to choose pre-charge resistor  $R_L$  value, which is in permissible range of +5V power supply specification at the host system.

Refer to the equivalent circuit when the optimized value of pre-charge resistor  $R_L$ . It is recommended to choose the minimum value which is in permissible range of +5V power supply specification at the host system. Because it is possible that rush current occurs again when P8, P9 pin connection after P7 (+5V pre-charge pin) connection dependent on the insertion speed.



## 5.2 Logical Interface

The host system and the device communicate with each other by sending and receiving serial data.

The host and the device have several dedicated communication layers between them. These layers have different functions, enabling communication between the different levels of layers within the host or device and between layers at the same level that link the host and device.

Figure 5.3 is a conceptual diagram of the communication layers.

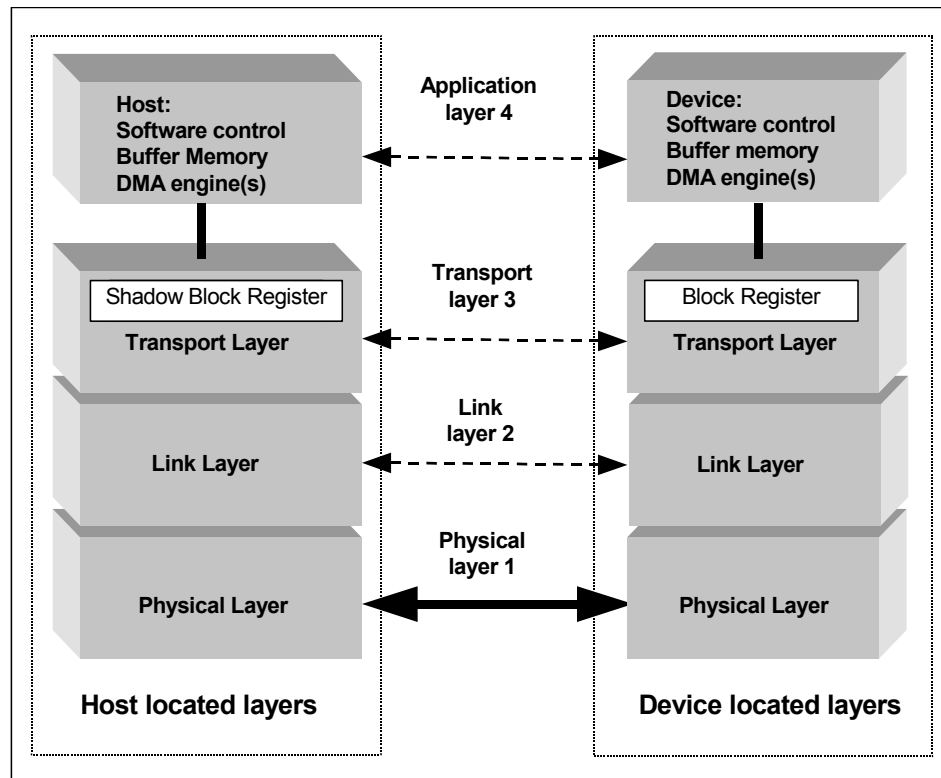


Figure 5.3 Conceptual diagram of communication layers

### 5.2.1 Communication layers

Each of the layers is outlined below.

#### Physical layer

- Detects, sends, and receives band signals.
- Sends serial data to and receives it from the link layer.

#### Link layer

- Negotiates against mutual transfer requests between the host system and device.
- Encodes serial data as 10- or 8-bit data, then converts it into DWORD data.
- Inserts auxiliary signals (SOF, CRC, and EOF), deletes auxiliary signals, and communicates with the transport and physical layers.

#### Transport layer

- Exchanges data in communication with the link layer, and builds the frame information structure (FIS).
- Contains a (Shadow) Block Register.
- Reflects the FIS contents to the Block Register.

## 5.2.2 Outline of the Shadow Block Register

Each transport layer in the host system and device has a block register, which is called a Shadow Block Register in the host system, and a Block Register in the device.

These registers are used when the host system issues a command to the device.

**Table 5.3 Shadow Block Register**

Command Block registers			
Read		Write	
Data Port			
Error		Features	
Sector Count (exp)	Sector Count	Sector Count (exp)	Sector Count
Sector Number (exp)	Sector Number	Sector Number (exp)	Sector Number
Cylinder Low (exp)	Cylinder Low	Cylinder Low (exp)	Cylinder Low
Cylinder High (exp)	Cylinder High	Cylinder High (exp)	Cylinder High
Device / Head			
Status		Command	
Control Block registers			
Alternate Status		Device Control	

Note: Each of the Sector Count, Sector Number, Cylinder Low, and Cylinder High fields has a higher-order field used for issuing the Ext command. The fields are called Sector Count exp, Sector Number exp, Cylinder Low exp, and Cylinder High exp, respectively. For information on writing data to these fields, see "Device Control Field."

### 5.2.3 Outline of the frame information structure (FIS)

The transport layer converts data written in a Block Register into the FIS, and sends it to the upper layer.

The FIS, which is generated in the transport layer, is explained below.

#### 5.2.3.1 FIS types

The types of FIS are as follows (Each FIS is referred to as abbreviation in square brackets in this manual.):

- Register- Host to Device [RegHD]
- Register- Device to Host [RegDH]
- DMA Active – Device to Host [DMA Active]
- DMA Setup – Device to Host or Host to Device (Bidirectional) [DMA Setup]
- Set Device Bits – Device to Host [SetDB]
- BIST Active – Bidirectional [BIST Active]
- PIO Setup – Device to Host [PIO Setup]
- Data – Host to Device or Device to Host (Bidirectional) [DATA]

### 5.2.3.2 Register - Host to Device

The Register - Host to Device FIS has the following layout:

	3	3	2	2	2	2	2	2	2	2	2	1	1	1	1	1	1	1	1	9	8	7	6	5	4	3	2	1	0			
	1	0	9	8	7	6	5	4	3	2	1	0	9	8	7	6	5	4	3	2	1	0										
0	Features								Command								C	R	R	Reserved (0)				FIS Type (27h)								
1	Device								LBA High								LBA Mid								LBA Low							
2	Features (exp)								LBA High (exp)								LBA Mid (exp)								LBA Low (exp)							
3	Control								Reserved (0)								Sector Count (exp)								Sector Count							
4	Reserved (0)								Reserved (0)								Reserved (0)								Reserved (0)							

**Figure 5.4 Register - Host to Device FIS layout**

The host system uses the Register - Host to Device FIS when information in the Register Block is transferred from the host system to the device. This is the mechanism for issuing the ATA command from the host system to the device.

C - To update the Command field, "1" would be set in this field; and to update the Device Control field, "0" would be set in the field.

If both C = 1 and SRST = 1 are set, operation is not guaranteed.

### 5.2.3.3 Register - Device to Host

The Register - Device to Host FIS has the following layout:

	3	3	2	2	2	2	2	2	2	2	2	1	1	1	1	1	1	1	1	1	1	9	8	7	6	5	4	3	2	1	0	
	1	0	9	8	7	6	5	4	3	2	1	0	9	8	7	6	5	4	3	2	1	0										
0	Error								Status								R	I	R	Reserved (0)				FIS Type (34h)								
1	Device								LBA High								LBA Mid								LBA Low							
2	Reserved (0)								LBA High (exp)								LBA Mid (exp)								LBA Low (exp) (0)							
3	Reserved (0)								Reserved (0)								Sector Count (exp)								Sector Count							
4	Reserved (0)								Reserved (0)								Reserved (0)								Reserved (0)							

**Figure 5.5 Register - Device to Host FIS layout**

The Register - Device to Host FIS is used when information concerning the Shadow Register Block in the host adapter is updated. This FIS indicates that the device has completed a command operation. Furthermore, this is a mechanism for changing information concerning the Shadow Register Block of the host adapter.

I - If this bit is set, an interrupt request is issued to the host system.

### 5.2.3.4 DMA Active - Device to Host

The DMA Active - Device to Host FIS has the following layout:

	3	3	2	2	2	2	2	2	2	2	2	1	1	1	1	1	1	1	1	1	1	9	8	7	6	5	4	3	2	1	0	
	1	0	9	8	7	6	5	4	3	2	1	0	9	8	7	6	5	4	3	2	1	0										
0	Reserved (0)								Reserved (0)								R	R	R	Reserved (0)				FIS Type (39h)								

**Figure 5.6 DMA Active - Device to Host FIS layout**

The host uses the DMA Active - Device to Host FIS layout. This FIS instructs the host to continue transferring DMA data from the host to the device.

### 5.2.3.5 DMA Setup - Device to Host or Host to Device (Bidirectional)

The DMA Setup - Device to Host or Host to Device FIS has the following layout:

	31	30	29	28	27	26	25	24	23	22	21	20	19	18	17	16	15	14	13	12	11	10	9	8	7	6	5	4	3	2	1	0				
0	Reserved (0)								Reserved (0)								A	I	D	Reserved (0)				FIS Type (41h)												
1	0																												TAG							
2	0																																			
3	Reserved (0)																																			
4	DMA Buffer Offset																																			
5	DMA Transfer Count																																			
6	Reserved (0)																																			

**Figure 5.7 DMA Setup - Device to Host or Host to Device FIS layout**

The DMA Setup - Device to Host or Host to Device FIS communicates the start of a first-party DMA access to the host system. This FIS is used to request the host system or device to set up the DMA controller before the start of a DMA data transfer.

A - Auto Active bit. If this bit is cleared ("0" is set for the bit), it indicates that a DMA Active FIS transfer is required before a Data FIS transfer.

D - Direction bit. If this bit is set ("1" is set for the bit), it indicates that the data transfer direction is from the device to the host system.

### 5.2.3.6 BIST Active - Bidirectional

The BIST Active - Bidirectional FIS has the following layout:

	3	3	2	2	2	2	2	2	2	2	2	1	1	1	1	1	1	1	1	1	1	1	9	8	7	6	5	4	3	2	1	0	
	1	0	9	8	7	6	5	4	3	2	1	0	9	8	7	6	5	4	3	2	1	0											
0	Reserved (0)								Pattern definition T A S L F P R V								R	R	R	Reserved (0)				FIS Type (58h)									
1	Data [31:24]								Data [23:16]								Data [23:16]								Data [7:0]								
2	Data [31:24]								Data [23:16]								Data [23:16]								Data [7:0]								

**Figure 5.8 BIST Active - Bidirectional FIS layout**

The BIST Active - Bidirectional FIS is used to set the receiver to Loop Back mode. This FIS can be sent by either the host system or device.

The following combinations of pattern definitions are supported:

**Table 5.4 BIST combinations**

T	A	S	L	F	P	V	SC Reg	Contents
-	-	-	1	-	-	1	09h	SATA Phy Analog Loopback Mode
-	-	-	1	-	-	-	10h	Far End Retimed Loopback Mode
1	1	-	-	-	-	-	C0h	No ALIGN Transmit_only Mode (Scramble ON) (*1)
1	1	1	-	-	-	-	E0h	No ALIGN Transmit_only Mode (Scramble OFF)
1	1	-	-	-	1	-	C4h	No ALIGN Transmit_only with primitive Mode (Scramble ON) (*1)
1	1	1	-	-	1	-	E4h	No ALIGN Transmit_only with primitive Mode (Scramble OFF)
1	-	-	-	-	-	-	80h	ALIGN Transmit_only Mode (Scramble ON) (*1)
1	-	1	-	-	-	-	A0h	ALIGN Transmit_only Mode (Scramble OFF)
1	-	-	-	-	1	-	84h	ALIGN Transmit_only with primitive Mode (Scramble ON) (*1)
1	-	1	-	-	1	-	A4h	ALIGN Transmit_only with primitive Mode (Scramble OFF)



### 5.2.3.7 Data - Host to Device or Device to Host (Bidirectional)

This Data FIS has the following layout:

	3	3	2	2	2	2	2	2	2	2	2	1	1	1	1	1	1	1	1	1	1	9	8	7	6	5	4	3	2	1	0				
0	Reserved (0)								Reserved (0)								R	R	R	Reserved (0)								FIS Type (46h)							
...	N Dwords of data (1 to 2048 Dwords)																																		
...																																			
n																																			

**Figure 5.9 Data FIS (Bidirectional) layout**

The Data FIS is used for data transfers between the host system and device.

### 5.2.3.8 PIO Setup - Device to Host

0	Error								Status								R	I	D	Reserved (0)								FIS Type (5Fh)							
1	Dev / Head								Cyl High								Cyl Low								Sector Number										
2	Reserved (0)								Cyl High (exp)								Cyl Low (exp)								Sector Num (exp) (0)										
3	E_Status								Reserved (0)								Sector Count (exp)								Sector Count										
4	Reserved (0)																Transfer Count																		

**Figure 5.10 PIO Setup - Device to Host FIS layout**

The PIO Setup FIS is a device to host FIS, FIS Type 5Fh. The PIO Setup FIS is used by the device to provide the host adapter with the data transfer count and DRQ block status during the PIO data phase. This information allows the host adapter to control PIO data transfers. There are two command structure Response mappings into a Response FIS in the serial transport.

- a) 48-bit command structure PIO Setup mapping
- b) 28-bit command structure PIO Setup mapping

FIS Type -	Set to a value of 5Fh. Defines the rest of the FIS fields. Defines the length of the FIS as five Dwords.
Cyl Low -	Holds the contents of the cylinder low register of the Command Block.
Cyl Low (exp) -	Contains the contents of the expanded address field of the Shadow Register Block.
Cyl High -	Holds the contents of the cylinder high register of the Command Block.
Cyl High (exp) -	Contains the contents of the expanded address field of the Shadow Register Block.
D -	Indicates whether host memory is being written or read by the device. 1 = write (device to host), 0 = read (host to device).
Dev / Head -	Holds the contents of the device / head register of the Command Block.
Dev / Head (exp) -	Contains the contents of the expanded address field of the Shadow Register Block.
E_Status -	Contains the new value of the status register of the task file block for correct synchronization of data transfers to host.
Error -	Contains the new value of the Error register of the Command Block at the conclusion of all subsequent Data to Device frames.
I -	Interrupt bit. This bit reflects the interrupt bit line of the device.
R -	Reserved (0)
Sector Count -	Holds the contents of the sector count register of the Command Block.
Sector Count (exp) -	Contains the contents of the expanded address field of the Shadow Register Block.
Sector Number -	Holds the contents of the sector number register of the Command Block.
Sector Num (exp) -	Contains the contents of the expanded address field of the Shadow Register Block.
Status -	Contains the new value of the status register of the Command Block at the conclusion of all subsequent PIO Data to Device frames.
Transfer Count -	Holds the number of bytes to be transferred in the subsequent data FIS.

## 5.2.3.9 Set Device Bits - Device to Host

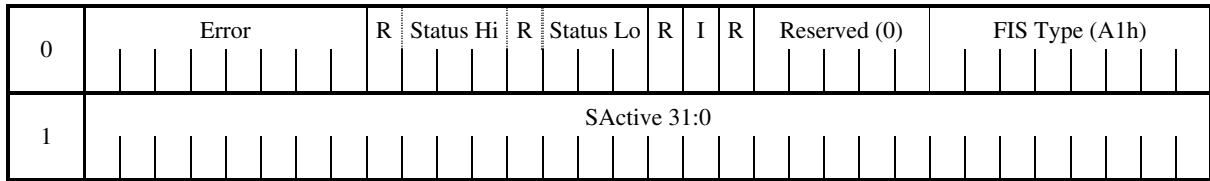


Figure 5.11 Set Device Bits FIS

The Set Device Bits -

Device to Host FIS is used by the device to load Shadow Command Block bits for which the device has exclusive write access. These bits are the eight bits of the Error register and six of the eight bits of the Status register. This FIS does not alter bit 7, BSY, or bit 3, DRQ, of the Shadow Status register.

FIS Type - Set to a value of A1h. Defines the rest of the FIS fields. Defines the length of the FIS as two Dwords.

I - Interrupt Bit. This bit signals the host adapter to enter an interrupt pending state if both the BSY bit and the DRQ bit in the shadow Status register are zero when the frame is received.

Error - Contains the new value of the Error register of the Shadow Register Block.

Status-Hi - Contains the new value of bits 6, 5, and 4 of the Status register of the Shadow Register Block.

Status-Lo - Contains the new value of bits 2, 1, and 0 of the Status register of the Shadow Register Block.

SActive - The SActive field of the Set Device Bits FIS communicates successful completion notification for each of up to 32 queued commands. The field is bit-significant and the device sets bit positions to one for each command tag it is indicating successful completion notification for. The device may set more than one bit to one if it is explicitly aggregating successful status returns. The device shall only indicate completion notification for a command if it has completed successfully.

## 5.2.4 Shadow block registers

### (1) Error Field

The Error Field indicates the status of the command executed by the device. The fields are valid when the ERR bit of the Status field is 1.

This register contains a diagnostic code after power is turned on, the COMRESET or the EXECUTIVE DEVICE DIAGNOSTIC command is executed.

- [Status at the completion of command execution other than diagnostic command]

Bit 7	Bit 6	Bit 5	Bit 4	Bit 3	Bit 2	Bit 1	Bit 0
X	UNC	X	IDNF/ SFRW	SFRR	ABRT	TK0NF	AMNF

X: Unused

- Bit 7: Unused
- Bit 6: Uncorrectable Data Error (UNC). This bit indicates that an uncorrectable data error has been encountered.
- Bit 5: Unused
- Bit 4: ID Not Found (IDNF). This bit indicates an error except for bad sector, uncorrectable error and SB not found.  
Or, SATA Frame Error Write (SFRW) This bit indicates that a SATA communication error has been encountered during the write process. In this case, bit4 and bit2 are set both.
- Bit 3: SATA Frame Error Read (SF RR). This bit indicates that a SATA communication error has been encountered during the read process. In this case, bit3 and bit2 are set both.
- Bit 2: Aborted Command (ABRT). This bit indicates that the requested command was aborted due to a device status error (e.g. Not Ready, Write Fault) or the command code was invalid.
- Bit 1: Track 0 Not Found (TK0NF). This bit indicates that track 0 was not found during RECALIBRATE command execution.
- Bit 0: Address Mark Not Found (AMNF). This bit indicates that the SB Not Found error occurred.

[Diagnostic code]

- X '00': Format Unit is not completed.
- X '01': No Error Detected.
- X '02': HDC Diagnostic Error
- X '03': Data Buffer Diagnostic Error
- X '04': Memory Diagnostic Error
- X '05': Reading the system area is abnormal.
- X '06': Calibration is abnormal.

**(2) Features Field (exp)**

The Features Field provides specific feature to a command. For instance, it is used with SET FEATURES command to enable or disable caching.

**(3) Sector Count Field (exp)**

The Sector Count Field indicates the number of sectors of data to be transferred in a read or write operation between the host system and the device. When the value in this field is X '00', the sector count is 256. With the EXT system command, the sector count is 65536 when value of the Sector Count Field is X '00' and that of the Sector Count Field (exp) is X '00'.

When this field indicates 0 at the completion of the command execution, this indicates that the command is completed successfully. If the command is not completed successfully, this field indicates the number of sectors to be transferred to complete the request from the host system. That is, this field indicates the number of remaining sectors that the data has not been transferred due to the error. However, as of the last sector of PIO transfer, SC=1 indicates the normal completion.

The contents of this field also have other definitions (Refer to 5.4)

**(4) Sector Number Field (exp)**

The contents of this field indicate the starting sector number for the subsequent command. The sector number should be between X '01' and [the number of sectors per track defined by INITIALIZE DEVICE PARAMETERS command.

Under the LBA mode, this field indicates LBA bits 7 to 0. Under the LBA mode of the EXT system command, LBA bits 31 to 24 are set in the Sector Number Field, and LBA bits 7 to 0 are set in the Sector Number Field (exp).

**(5) Cylinder Low Field (exp)**

The contents of this field indicate low-order 8 bits of the starting cylinder address for any disk-access.

At the end of a command, the contents of this field are updated to the current cylinder number.

Under the LBA mode, this field indicates LBA bits 15 to 8. Under the LBA mode of the EXT system command, LBA bits 39 to 32 are set in the Cylinder Low Field, and LBA bits 15 to 8 are set in the Cylinder Low Field (exp).

## (6) Cylinder High Field (exp)

The contents of this field indicate high-order 8 bits of the disk-access start cylinder address.

At the end of a command, the contents of this field are updated to the current cylinder number. The high-order 8 bits of the cylinder address are set to the Cylinder High Register.

Under the LBA mode, this field indicates LBA bits 23 to 16. Under the LBA mode of the EXT system command, LBA bits 47 to 40 are set in the Cylinder High Field, and LBA bits 23 to 16 are set in the Cylinder High Field (exp).

## (7) Device/Head Field

The contents of this field indicate the device and the head number.

When executing INITIALIZE DEVICE PARAMETERS command, the contents of this field defines "the number of heads minus 1" (a maximum head No.).

Bit 7	Bit 6	Bit 5	Bit 4	Bit 3	Bit 2	Bit 1	Bit 0
X	L	X	X	HS3	HS2	HS1	HS0

- Bit 7: Unused
- Bit 6: L            0 for CHS mode and 1 for LBA mode.
- Bit 5: Unused
- Bit 4: Unused
- Bit 3: HS3        CHS mode head address 3 ( $2^3$ ). bit 27 for LBA mode.  
Unused under the LBA mode of the EXT command.
- Bit 2: HS2        CHS mode head address 2 ( $2^2$ ). bit 26 for LBA mode.  
Unused under the LBA mode of the EXT command.
- Bit 1: HS1        CHS mode head address 1 ( $2^1$ ). bit 25 for LBA mode.  
Unused under the LBA mode of the EXT command.
- Bit 0: HS0        CHS mode head address 0 ( $2^0$ ). bit 24 for LBA mode.  
Unused under the LBA mode of the EXT command.

## (8) Status field

The contents of this field indicate the status of the device. The contents of this field are updated at the completion of each command. When the BSY bit is 1, other bits of this field, are invalid.

Bit 7	Bit 6	Bit 5	Bit 4	Bit 3	Bit 2	Bit 1	Bit 0
BSY	DRDY	DF	DSC	DRQ	0	0	ERR

## - Bit 7: Busy (BSY) bit

This bit is set whenever the Command field of the shadow block registers for the host system is accessed.

Then this bit is cleared when the command is completed. However, even if a command is being executed, this bit is cleared during the PIO data transfer request.

When BSY bit is 1, the host system should not write the shadow block registers. This bit is set by the device under following conditions:

- (a) After COMRESET or SRST is set in the Device Control Field, the BSY bit is set, then the BSY bit is cleared, when the COMRESET process is completed.

The BSY bit is set for no longer than 15 seconds after the IDD accepts reset.

## - Bit 6: Device Ready (DRDY) bit

This bit indicates that the device is capable to respond to a command.

The IDD checks its status when it receives a command. If an error is detected (not ready state), the IDD clears this bit to 0. This is cleared to 0 at power-on and it is cleared until the rotational speed of the spindle motor reaches the steady speed.

## - Bit 5: Device Write Fault (DF) bit

This bit indicates that a device fault (write fault) condition has been detected.

If a write fault is detected during command execution, this bit is latched and retained until the device accepts the next command or reset.

## - Bit 4: Device Seek Complete (DSC) bit

This bit indicates that the device heads are positioned over a track.

In the IDD, this bit is always set to 1 after the spin-up control is completed.

## - Bit 3: Data Request (DRQ) bit

This bit indicates that the device is ready to transfer PIO data of word unit or byte unit between the host system and the device.

## - Bit 2: Always 0

## - Bit 1: Always 0

## - Bit 0: Error (ERR) bit

This bit indicates that an error was detected while the previous command was being executed. The Error field indicates the additional information of the cause for the error.

**(9) Command Field**

The Command Field contains a command code being sent to the device. After this field is written, the command execution starts immediately.

Table 5.5 lists the executable commands and their command codes. This table also lists the necessary parameters for each command that are written to certain fields before the Command register is written.

**(10) Device Control Field**

The Device Control Field contains software reset.

Bit 7	Bit 6	Bit 5	Bit 4	Bit 3	Bit 2	Bit 1	Bit 0
X	X	X	X	X	SRST	X	0

**- Bit 2: Software Reset (SRST)**

This is the host software reset bit. When this bit is set, the device is held reset state. The slave device is not required to execute the DASP- handshake.

**(11) E\_Status Field**

This field is in the PIO Setup FIS. The field contents are the same as those described in (8), "Status Field." However, the values in the Status field are those before a PIO data transfer, and the values in the E\_Status field are those when a PIO data transfer is completed.

**(12) DMA Buffer Offset Field**

This field is in the DMA Setup FIS, representing byte offset. Since this device does not support byte offset, 0 is always set for the field.

**(13) DMA Transfer Count Field**

This field is in the DMA Setup FIS, representing the number of bytes to be transferred.

**(14) Active Field**

This field is in the Set Device Bits FIS. Each bit number corresponds to the tag number of one of 32 commands that can be placed in a queue, and the bit setting of "1" indicates that the corresponding command is completed.



## 5.3 Host Commands

The host system issues a command to the device by writing necessary parameters in related fields in the shadow block registers and writing a command code in the Command field of the shadow block registers.

The device can accept the command when the BSY bit is 0 (the device is not in the busy status).

The host system can halt the uncompleted command execution only at execution of COMRESET or software reset.

When the BSY bit is 1 or the DRQ bit is 1 (the device is requesting the PIO data transfer) and the host system writes to the command field of the shadow block register, the correct device operation is not guaranteed.

### 5.3.1 Command code and parameters

Table 5.5 lists the supported commands, command code and the related fields to be written necessary parameters at command execution.

**Table 5.5 Command code and parameters (1/3)**

COMMAND NAME	COMMAND CODE (Bit)								PARAMETER USED				
	7	6	5	4	3	2	1	0	FR	SC	SN	CY	DH
RECALIBRATE	0	0	0	1	X	X	X	X	N	N	N	N	D
READ SECTOR(S)	0	0	1	0	0	0	0	R	N	Y	Y	Y	Y
WRITE SECTOR(S)	0	0	1	1	0	0	0	R	N	Y	Y	Y	Y
WRITE VERIFY	0	0	1	1	1	1	0	0	N	Y	Y	Y	Y
READ VERIFY SECTOR(S)	0	1	0	0	0	0	0	R	N	Y	Y	Y	Y
SEEK	0	1	1	1	X	X	X	X	N	N	Y	Y	Y
EXECUTE DEVICE DIAGNOSTIC	1	0	0	1	0	0	0	0	N	N	N	N	N
INITIALIZE DEVICE PARAMETERS	1	0	0	1	0	0	0	1	N	Y	N	N	Y
DOWNLOAD MICROCODE	1	0	0	1	0	0	1	0	Y	Y	Y	N	D
STANDBY IMMEDIATE	1 1	0 1	0 1	1 0	0 0	1 0	0 0	0 0	N	N	N	N	D
IDLE IMMEDIATE	1 1	0 1	0 1	1 0	0 0	1 0	0 0	1 1	Y	N	Y	Y	D
UNLOAD IMMEDIATE	1 1	0 1	0 1	1 0	0 0	1 0	0 0	1 1	Y	N	Y	Y	D
STANDBY	1 1	0 1	0 1	1 0	0 0	1 0	1 1	0 0	N	Y	N	N	D

Table 5.5 Command code and parameters (2/3)

COMMAND NAME	COMMAND CODE (Bit)								PARAMETER USED				
	7	6	5	4	3	2	1	0	FR	SC	SN	CY	DH
IDLE	1 1	0 1	0 1	1 0	0 0	1 0	1 0	1 1	N 1	Y	N	N	D
CHECK POWER MODE	1 1	0 1	0 1	1 0	1 0	0 1	0 0	0 1	N 1	N	N	N	D
SLEEP	1 1	0 1	0 1	1 0	1 0	0 1	0 1	1 0	N	N	N	N	D
SMART	1	0	1	1	0	0	0	0	Y	Y	Y	Y	D
DEVICE CONFIGURATION	1	0	1	1	0	0	0	1	Y	N	N	N	D
READ MULTIPLE	1	1	0	0	0	1	0	0	N	Y	Y	Y	Y
WRITE MULTIPLE	1	1	0	0	0	1	0	1	N	Y	Y	Y	Y
SET MULTIPLE MODE	1	1	0	0	0	1	1	0	N	Y	N	N	D
READ DMA	1	1	0	0	1	0	0	R	N	Y	Y	Y	Y
WRITE DMA	1	1	0	0	1	0	1	R	N	Y	Y	Y	Y
READ BUFFER	1	1	1	0	0	1	0	0	N	N	N	N	D
FLUSH CACHE	1	1	1	0	0	1	1	1	N	N	N	N	D
WRITE BUFFER	1	1	1	0	1	0	0	0	N	N	N	N	D
IDENTIFY DEVICE	1	1	1	0	1	1	0	0	N	N	N	N	D
IDENTIFY DEVICE DMA	1	1	1	0	1	1	1	0	N	N	N	N	D
SET FEATURES	1	1	1	0	1	1	1	1	Y	N*	N	N	D
SECURITY SET PASSWORD	1	1	1	1	0	0	0	1	N	N	N	N	D
SECURITY UNLOCK	1	1	1	1	0	0	1	0	N	N	N	N	D
SECURITY ERASE PREPARE	1	1	1	1	0	0	1	1	N	N	N	N	D
SECURITY ERASE UNIT	1	1	1	1	0	1	0	0	N	N	N	N	D
SECURITY FREEZE LOCK	1	1	1	1	0	1	0	1	N	N	N	N	D
SECURITY DISABLE PASSWORD	1	1	1	1	0	1	1	0	N	N	N	N	D
READ NATIVE MAX ADDRESS	1	1	1	1	1	0	0	0	N	N	N	N	D
SET MAX	1	1	1	1	1	0	0	1	N*	Y	Y	Y	Y
READ SECTOR(S) EXT	0	0	1	0	0	1	0	0	N	Y	Y	Y	D
READ DMA EXT	0	0	1	0	0	1	0	1	N	Y	Y	Y	D
READ NATIVE MAX ADDRESS EXT	0	0	1	0	0	1	1	1	N	N	N	N	D
READ MULTIPLE EXT	0	0	1	0	1	0	0	1	N	Y	Y	Y	D

**Table 5.5 Command code and parameters (3/3)**

COMMAND NAME	COMMAND CODE (Bit)								PARAMETER USED				
	7	6	5	4	3	2	1	0	FR	SC	SN	CY	DH
READ LOG EXT	0	0	1	0	1	1	1	1	N	Y	Y	Y	D
WRITE SECTOR(S) EXT	0	0	1	1	0	1	0	0	N	Y	Y	Y	D
WRITE DMA EXT	0	0	1	1	0	1	0	1	N	Y	Y	Y	D
SET MAX ADDRESS EXT	0	0	1	1	0	1	1	1	N	Y	Y	Y	Y
WRITE MULTIPLE EXT	0	0	1	1	1	0	0	1	N	Y	Y	Y	D
WRITE DMA FUA EXT	0	0	1	1	1	1	0	1	N	Y	Y	Y	D
WRITE LOG EXT	0	0	1	1	1	1	1	1	N	Y	Y	Y	D
READ VERIFY SECTOR(S) EXT	0	1	0	0	0	0	1	0	N	Y	Y	Y	D
WRITE UNCORRECTABLE EXT	0	1	0	0	0	1	0	1	N	Y	Y	Y	D
READ LOG DMA EXT	0	1	0	0	0	1	1	1	N	Y	Y	Y	D
WRITE LOG DMA EXT	0	1	0	1	0	1	1	1	N	Y	Y	Y	D
READ FP DMA QUEUED	0	1	1	0	0	0	0	0	Y	Y	Y	Y	D
WRITE FP DMA QUEUED	0	1	1	0	0	0	0	1	Y	Y	Y	Y	D
WRITE MULTIPLE FUA EXT	1	1	0	0	1	1	1	0	N	Y	Y	Y	D
FLUSH CACHE EXT	1	1	1	0	1	0	1	0	N	N	N	N	D

CY: cylinder field

DH: device/head field

FR: features field

SC: sector count field

SN: sector number field

R: Retry at error

1 = Without retry

0 = With retry

Y: Necessary to set parameters

Y\*: Necessary to set parameters under the LBA mode

N: Not necessary to set parameters (The parameter is ignored if it is set.)

N\*: May set parameters.

D: The device parameter is valid, and the head parameter is ignored.

X: Do not care.

### 5.3.2 Command descriptions

The contents of the shadow block registers to be necessary for issuing a command and the example indication of the shadow block registers at command completion are shown as following in this subsection.

Example: READ SECTOR (S)

At command issuance (Shadow Block Registers setting contents)									At command completion (Shadow Block Registers to be read)								
Bit	7	6	5	4	3	2	1	0	Bit	7	6	5	4	3	2	1	0
CM	0	0	1	0	0	0	0	0	ST	Status information							
DH	x	L	x	x	HD No./LBA				DH	x	L	x	x	HD No./LBA			
CH EXP	LBA (47-40)								CH EXP	LBA (47-40)							
CH	Start cylinder address [MSB] / LBA (23-16)								CH	End cylinder address [MSB] / LBA (23-16)							
CL EXP	LBA (39-32)								CL EXP	LBA (39-32)							
CL	Start cylinder address [LSB] / LBA (15-8)								CL	End cylinder address [LSB] / LBA (15-8)							
SN EXP	LBA (31-24)								SN EXP	LBA (31-24)							
SN	Start sector No. / LBA (7-0)								SN	End sector No. / LBA (7-0)							
SC EXP	Transfer sector count (15-8)								SC EXP	X '00'							
SC	Transfer sector count (7-0)								SC	X '00'							
FR EXP	xx								ER	Error information							
FR	xx																

CH (EXP): Cylinder High Field (EXP)  
 CL (EXP): Cylinder Low Field (EXP)  
 CM: Command Field  
 DH: Device/Head Field  
 ER: Error Field  
 FR (EXP): Features Field (EXP)  
 L: LBA (Logical Block Address) setting bit  
 SN (EXP): Sector Number Field (EXP)  
 SC (EXP): Sector Count Field (EXP)  
 ST: Status Field  
 x, xx: Don't care (setting is not necessary).

Note:

1. When the L bit is specified to 1, the lower 4 bits of the DH field and all bits of the CH field, CL and SN fields indicate the LBA bits (bits of the DH field are the MSB (most significant bit) and bits of the SN field are the LSB (least significant bit)).
2. At error occurrence, the SC field indicates the remaining sector count of data transfer.
3. Bit indication is omitted in each command description.

## (1) RECALIBRATE (X '10' to X '1F')

This command performs the calibration. When the device completes the calibration, the device reports the status to the host system.

This command can be issued in the LBA mode.

- Error reporting conditions

(1) An error was detected during head positioning (ST = 51h, ER = 02h).

(2) A SATA communication error occurred (ST = 51h, ER = 14h).

At command issuance (Shadow Block Registers setting contents)								
CM	0	0	0	1	x	x	x	x
DH	x	x	x	x	xx			
CH					xx			
CL					xx			
SN					xx			
SC					xx			
FR					xx			

At command completion (Shadow Block Registers contents to be read)								
ST	Status information							
DH	x	x	x	x	xx			
CH					xx			
CL					xx			
SN					xx			
SC					xx			
ER					Error information			

Note:

Also executable in LBA mode

(2) READ SECTOR(S) (X '20' or X '21')

This command reads data of sectors specified in the Sector Count field from the address specified in the Device/Head, Cylinder High, Cylinder Low and Sector Number fields. Number of sectors can be specified from 1 to 256 sectors. To specify 256 sectors reading, '00' is specified. For the protocols related to data transfer, see Subsection 5.4.1.

If the head is not on the track specified by the host, the device performs an implied seek. After the head reaches to the specified track, the device reads the target sector.

If an error occurs, retry reads are attempted to read the target sector before reporting an error, irrespective of the R bit setting.

If an error does not occur, PIO Setup is always transferred prior to the data transfer.

Upon the completion of the command execution, shadow block registers contain the cylinder, head, and sector addresses (in the CHS mode) or logical block address (in the LBA mode) of the last sector read.

If an unrecoverable disk read error occurs in a sector, the read operation is terminated at the sector where the error occurred. Shadow block registers contain the cylinder, the head, and the sector addresses of the sector (in the CHS mode) or the logical block address (in the LBA mode) where the error occurred, and remaining number of sectors of which data was not transferred (including sector when the error occurred).

- Error reporting conditions

- (1) A specified address exceeds the range where read operations are allowed (ST = 51h, ER = 10h).
- (2) The range where read operations are allowed will be exceeded by an address during a read operation (ST = 51h, ER = 10h).
- (3) An uncorrectable disk read error occurred (ST = 51h, ER = 40h).
- (4) The sync byte indicating the beginning of a sector was not found (ST = 51h, ER = 01h).
- (5) A communication error occurred (ST = 51h, ER = 0Ch).
- (6) An error other than the above errors occurred (ST = 51h, ER = 04h).

At command issuance (Shadow Block Registers setting contents)							
CM	0	0	1	0	0	0	R
DH	x	L	x	x	HD No./LBA		
CH	Start cylinder No. [MSB] / LBA						
CL	Start cylinder No. [LSB] / LBA						
SN	Start sector No. / LBA [LSB]						
SC	Transfer sector count						
FR	xx						

(R: Retry)

At command completion (Shadow Block Registers contents to be read)							
ST	Status information						
DH	x	L	x	x	HD No./LBA		
CH	End cylinder No. [MSB] / LBA						
CL	End cylinder No. [LSB] / LBA						
SN	End sector No. / LBA [LSB]						
SC	01 (*1)						
ER	Error information						

\*1 If the command is terminated due to an error, the remaining number of sectors of which data was not transferred.

(3) WRITE SECTOR(S) (X '30' or X '31')

This command writes data of sectors from the address specified in the Device/Head, Cylinder High, Cylinder Low, and Sector Number fields to the address specified in the Sector Count field. Number of sectors can be specified from 1 to 256 sectors. A sector count of 0 requests 256 sectors. Data transfer begins at the sector specified in the Sector Number field. For the protocols related to data transfer, see Subsection 5.4.3.

If the head is not on the track specified by the host, the device performs an implied seek. After the head reaches to the specified track, the device writes the target sector.

If an error occurs when writing to the target sector, retries are attempted irrespectively of the R bit setting.

The data stored in the buffer, and CRC code and ECC bytes are written to the data field of the corresponding sector(s).

Upon the completion of the command execution, the shadow block registers contain the cylinder, head, and sector addresses of the last sector written.

If an disk error occurs during multiple sector write operation, the write operation is terminated at the sector where the error occurred. Shadow block registers contain the cylinder, the head, the sector addresses (in the CHS mode) or the logical block address (in the LBA mode) of the sector where the error occurred.

- Error reporting conditions

- (1) A specified address exceeds the range where write operations are allowed (after a transfer of dummy data, ST = 51h, ER = 10h).
- (2) The range where write operations are allowed will be exceeded by an address during a write operation (after a transfer of dummy data, ST = 51h, ER = 10h).
- (3) A write fault was detected when the write cache was disabled (ST = 71h, ER = 10h).
- (4) While the write cache is enabled, if the status indicating a completed transfer (STS = 50h) is returned and a data write operation failed because a write fault was detected during the data write operation, Abort will be returned for all subsequent ATA commands (ST = 71h, ER = 04h). This state is cleared the next time that the device is turned on.
- (5) A SATA communication error occurred (ST = 51h, ER = 14h).
- (6) An error other than the above errors occurred (ST = 51h, ER = 04h).



At command issuance (Shadow Block Registers setting contents)							
CM	0	0	1	1	0	0	R
DH	x	L	x	x	HD No./LBA		
CH	Start cylinder No. [MSB] / LBA						
CL	Start cylinder No. [LSB] / LBA						
SN	Start sector No. / LBA [LSB]						
SC	Transfer sector count						
FR	xx						

(R: Retry)

At command completion (Shadow Block Registers contents to be read)							
ST	Status information						
DH	x	L	x	x	HD No./LBA		
CH	End cylinder No. [MSB] / LBA						
CL	End cylinder No. [LSB] / LBA						
SN	End sector No. / LBA [LSB]						
SC	00 (*1)						
ER	Error information						

\*1 If the command was terminated because of an error, the number of sectors for which data has not been written is set in this field.

## (4) WRITE VERIFY (X '3C')

This command operates similarly to the WRITE SECTOR(S) command except that the device verifies each sector immediately after being written. The verify operation is a read and check for data errors without data transfer. Any error that is detected during the verify operation is posted.

After all sectors are verified, device reports the status to the host system.

- Error reporting conditions
  - (1) A specified address exceeds the range where write operations are allowed (after a transfer of dummy data, ST = 51h, ER = 10h).
  - (2) The range where write operations are allowed will be exceeded by an address during a write operation (after a transfer of dummy data, ST = 51h, ER = 10h).
  - (3) A write fault was detected when the write cache was disabled (ST = 71h, ER = 10h).
  - (4) While the write cache is enabled, if the status indicating a completed transfer (STS = 50h) is returned and a data write operation failed because a write fault was detected during the data write operation, Abort will be returned for all subsequent ATA commands (ST = 71h, ER = 04h). This state is cleared the next time that the device is turned on.
  - (5) An uncorrectable read error occurred disk (ST = 51h, ER = 40h).
  - (6) A SATA communication error occurred (ST = 51h, ER = 14h).
  - (7) An error other than the above errors occurred (ST = 51h, ER = 04h).

At command issuance (Shadow Block Registers setting contents)								
CM	0	0	1	1	1	1	0	0
DH	x	L	x	x	HD No. / LBA			
CH	Start cylinder No. [MSB] / LBA							
CL	Start cylinder No. [LSB] / LBA							
SN	Start sector No. / LBA [LSB]							
SC	Transfer sector count							
FR	xx							

At command completion (Shadow Block Registers contents to be read)					
ST	Status information				
DH	x	L	x	x	HD No./LBA
CH	Start cylinder No. [MSB] / LBA				
CL	Start cylinder No. [LSB] / LBA				
SN	Start sector No. / LBA [LSB]				
SC	00 (*1)				
ER	Error information				

- \*1 If the command is terminated because of an error, the number of remaining sectors for which data has not been written or verified is set in this register.

## (5) READ VERIFY SECTOR(S) (X '40' or X '41')

This command operates similarly to the READ SECTOR(S) command except that the data is not transferred to the host system.

After all requested sectors are verified, the device reports the status to the host system.

Upon the completion of the command execution, the shadow block registers contain the cylinder, head, and sector number of the last sector verified.

If an unrecoverable disk error occurs, the verify operation is terminated at the sector where the error occurred. The shadow block registers contain the cylinder, the head, and the sector addresses (in the CHS mode) or the logical block address (in the LBA mode) of the sector where the error occurred. The Sector Count field indicates the number of sectors that have not been verified.

- Error reporting conditions
  - (1) A specified address exceeds the range where read operations are allowed (ST = 51h, ER = 10h).
  - (2) The range where read operations are allowed will be exceeded by an address during a read operation (ST = 51h, ER = 10h).
  - (3) An uncorrectable disk read error occurred (ST = 51h, ER = 40h).
  - (4) The sync byte indicating the beginning of a sector was not found (ST = 51h, ER = 01h).
  - (5) A SATA communication error occurred (ST = 51h, ER = 14h).
  - (6) An error other than the above errors occurred (ST = 51h, ER = 04h).

At command issuance (Shadow Block Registers setting contents)								
CM	0	1	0	0	0	0	0	R
DH	x	L	x	x	HD No./LBA			
CH	Start cylinder No. [MSB] / LBA							
CL	Start cylinder No. [LSB] / LBA							
SN	Start sector No. / LBA [LSB]							
SC	Transfer sector count							
FR	xx							

At command completion (Shadow Block Registers contents to be read)					
ST	Status information				
DH	x	L	x	x	HD No. /LBA
CH	Start cylinder No. [MSB] / LBA				
CL	Start cylinder No. [LSB] / LBA				
SN	Start sector No. / LBA [LSB]				
SC	00 (*1)				
ER	Error information				

- \*1 If the command is terminated due to an error, the remaining number of sectors of which data was not transferred is set in this register.

## (6) SEEK (X '70' to X '7F')

This command performs a seek operation to the track and selects the head specified in the command block registers. After completing the seek operation, the device reports the status to the host system.

In the LBA mode, this command performs the seek operation to the cylinder and head position in which the sector is specified.

- Error reporting conditions
  - (1) A specified address exceeds the range where the head can be positioned (ST = 51h, ER = 10h).
  - (2) Head positioning is not possible because an error occurred (ST = 51h, ER = 10h).
  - (3) A SATA communication error occurred (ST = 51h, ER = 14h).

At command issuance (Shadow Block Registers setting contents)							
CM	0	1	1	1	x	x	x
DH	x	L	x	x	HD No. / LBA		
CH	Start cylinder No. [MSB] / LBA						
CL	Start cylinder No. [LSB] / LBA						
SN	Start sector No. / LBA [LSB]						
SC	xx						
FR	xx						

At command completion (Shadow Block Registers contents to be read)							
ST	Status information						
DH	x	L	x	x	HD No. / LBA		
CH	Start cylinder No. [MSB] / LBA						
CL	Start cylinder No. [LSB] / LBA						
SN	Start sector No. / LBA [LSB]						
SC	xx						
ER	Error information						

## (7) EXECUTE DEVICE DIAGNOSTIC (X '90')

This command performs an internal diagnostic test (self-diagnosis) of the device.

The device reports the diagnostic result and status to the host.

Table 5.6 lists the diagnostic code written in the Error field which is 8-bit code.

**Table 5.6 Diagnostic code**

Code	Result of diagnostic
X '00'	Format Unit is not completed.
X '01'	No error detected.
X '02'	HDC diagnostic error
X '03'	Data buffer diagnostic error
X '04'	Memory diagnostic error
X '05'	Reading the system area is abnormal.
X '06'	Calibration abnormal

Note: The device responds to this command with the result of power-on diagnostic test.

- Error reporting conditions

(1) A SATA communication error occurred (ST = 51h, ER = 14h).

At command issuance (Shadow Block Registers setting contents)						
CM	1	0	0	1	0	0
DH	x	x	x	x	HD No. /LBA	
CH						xx
CL						xx
SN						xx
SC						xx
FR						xx

At command completion (Shadow Block Registers contents to be read)						
ST	Status information					
DH	x	x	x	x	HD No. /LBA	
CH						xx
CL						xx
SN						01H
SC						01H
ER	Diagnostic code					

## (8) INITIALIZE DEVICE PARAMETERS (X '91')

The host system can set the number of sectors per track and the maximum head number (maximum head number is "number of heads minus 1") per cylinder with this command. Upon receipt of this command, the device sets the parameters. Then the device reports the status to the host system.

When the SC field is specified to X '00', an ABORTED COMMAND error is posted. Other than X '00' is specified, this command terminates normally.

The parameters set by this command are retained even after soft reset and COMRESET issuance or power save operation regardless of the setting of disabling the reverting to default setting.

The operation is always performed in CHS mode, with the command ignoring any setting of LBA mode.

- Error reporting conditions

(1) "00h" is specified in the SC field (ST = 51h, ER = 04h).

(2) A SATA communication error occurred (ST = 51h, ER = 14h).

At command issuance (Shadow Block Registers setting contents)					
CM	1	0	0	1	0 0 0 1
DH	x	x	x	x	Max. head No.
CH	xx				
CL	xx				
SN	xx				
SC	Number of sectors/track				
FR	xx				

At command completion (Shadow Block Registers contents to be read)					
ST	Status information				
DH	x	x	x	x	Max. head No.
CH	xx				
CL	xx				
SN	xx				
SC	Number of sectors/track				
ER	Error information				



## (9) DOWNLOAD MICROCODE (X '92')

At command issuance (Shadow Block Registers setting contents)								
CM	1	0	0	1	0	0	1	0
DH	1	x	1	x	0	0	0	0
CH	Sector Offset (15-8)							
CL	Sector Offset (7-0)							
SN	Sector count (15-8)							
SC	Sector count (7-0)							
FR	Subcommand code							

At command completion (Shadow Block Registers contents to be read)								
ST	Status information							
DH	1	x	1	x	0	0	0	0
CH	00							
CL	00							
SN	xx							
SC	xx							
ER	Error information							

This command rewrites the microcode of the device (firmware).

When this command is accepted, the device does beginning the data transfer of the microcode or the microcode rewriting according to Subcommand code (Rewriting is also possible simultaneously with the data transfer). Refer to Table 5.7.

In the data transfer of Subcommand code 01h and 03h transfer by which data is divided into multiple times is possible. Refer to Table 5.8.

After the designation of rewriting by Subcommand code 07h, reactivates in the device for the update of the rewriting microcode of the microcode.

**Table 5.7 Operation of DOWNLOAD MICROCODE**

Host Command			Movement of device	
Subcommand code (FR Field)	Sector Offset *1 (CH, CL Field)	Sector count (SN, SC Field)	Data transfer	Microcode rewriting execution
01h	----	0000h	Non	Rewriting execution reservation
		xxxxh	It is.	Rewriting execution reservation
03h	xxxxh	0000h	Non	Rewriting execution reservation
		xxxxh	It is.	Rewriting execution reservation
07h	----	0000h	Non	Execution. *2
		xxxxh	It is.	Execution. *2
Excluding 01h, 03h and 07h		–	Abort	

\*1: When FR Field = 03 (Mode3) is specified, Abort is returned as an error when the specification of doing Sector Offset (CH, CL Field) is the transfer end the last sector and is not consecutive.

Moreover, Sector Offset (CH, CL Field) is invalid in specification other than FR Field = 03 (Mode3).

\*2: In the following cases, Subcommand code = 07h returns Abort as an error though becomes Microcode rewriting execution specification.

- 1) Abnormality of the transmitted Microcode data is detected.
- 2) The data transfer is not done (The number of transfer: 0).
- 3) The DOWNLOAD MICROCODE command is not continuously issued when the transfer has been divided into multiple transfers.

**Table 5.8 Example of rewriting procedure of data 640K Bytes (A0000h Bytes) of microcode**

Transfer example 1: 1) CMD = 92h SN, SC = 0100h FR = 0lh 2) CMD = 92h SN, SC = 0100h FR = 0lh 3) CMD = 92h SN, SC = 0100h FR = 0lh 4) CMD = 92h SN, SC = 0100h FR = 0lh 5) CMD = 92h SN, SC = 0100h FR = 0lh 6) CMD = 92h SN, SC = 0000h FR = 07h	Transfer of 128 KB (0 to 127 KB) from the beginning Transfer from 128 to 255 KB Transfer from 256 to 383 KB Transfer from 384 to 511 KB Transfer from 512 to 639 KB Firmware rewriting execution
Transfer example 2: 1) CMD = 92h SN, SC = 0500h FR = 0lh 2) CMD = 92h SN, SC = 0000h FR = 07h	Transfer of 640 KB Firmware rewriting execution
Transfer example 3: 1) CMD = 92h SN, SC = 0500h FR = 07h	Transfer of 640 KB and Firmware rewriting execution
Transfer example 4: 1) CMD = 92h SN, SC = 0100h FR = 0lh 2) CMD = 92h SN, SC = 0100h FR = 0lh 3) CMD = 92h SN, SC = 0100h FR = 0lh 4) CMD = 92h SN, SC = 0100h FR = 0lh 5) CMD = 92h SN, SC = 0100h FR = 07h	Transfer of 128 KB (0 to 127 KB) from the beginning Transfer from 128 to 255 KB Transfer from 256 to 383 KB Transfer from 384 to 511 KB Transfer from 512 to 639 KB and Firmware rewriting execution

The Aborted Command error is reported if any of the following conditions is satisfied: transferred microcode data is incorrect, firmware rewriting is specified before microcode data is transferred, or the DOWNLOAD MICROCODE command is not issued continuously when the transfer has been divided into multiple transfers.

- Error reporting conditions
  - (1) When the transferred Micro code data error occurs (ST = 51h, ER = 04h).
  - (2) When writing is specified though the data has not transferred yet. (ST = 51h, ER = 04h).
  - (3) When the Sector Offset(CH,CL Field) specification is the transfer end the last sectorial and is not consecutive by the command of Mode3 (ST = 51h, ER = 04h)
  - (4) When the SATA frame error occurs. (ST = 51h, ER = 14h).
  - (5) When detect the error other than the above mentioned. (ST = 51h, ER = 04h).

## (10) STANDBY IMMEDIATE (X '94' or X 'E0')

Upon receipt of this command, the device enters the standby mode. The device then reports the status to the host system. This command does not support the APS timer function.

- Error reporting conditions

(1) A SATA communication error occurred (ST = 51h, ER = 14h).

At command issuance (Shadow Block Registers setting contents)					
CM	X '94' or X 'E0'				
DH	x	x	x	x	Xx
CH	xx				
CL	xx				
SN	xx				
SC	xx				
FR	Xx				

At command completion (Shadow Block Registers contents to be read)					
ST	Status information				
DH	x	x	x	x	Xx
CH	xx				
CL	xx				
SN	xx				
SC	xx				
ER	Error information				

## (11) IDLE IMMEDIATE (X '95' or X 'E1')/UNLOAD IMMEDIATE (X '95' or X 'E1')

- Default Function

Upon receipt of this command, the device enters the idle mode. Then, the device reports the status to the host system. This command does not support the APS timer function.

Error reporting conditions

(1) A SATA communication error occurred (ST = 51h, ER = 14h).

At command issuance (Shadow Block Registers setting contents)					
CM	X '95' or X 'E1'				
DH	x	x	x	x	xx
CH	xx				
CL	xx				
SN	xx				
SC	xx				
FR	xx				

At command completion (Shadow Block Registers contents to be read)					
ST	Status information				
DH	x	x	x	x	xx
CH	xx				
CL	xx				
SN	xx				
SC	xx				
ER	Error information				

- Unload Feature (Unload Immediate Command):

When the device received the IDLE IMMEDIATE command with the UNLOAD FEATURE, the head(s) is unloaded to the ramp position. After the device completed the unload operation, the INTRQ signal will be asserted and the BUSY flag will be cleared. The time until the head(s) unload to the ramp position is typically less than 500 milliseconds. This unload operation is not same as the power management operation. The device just unloads the head(s), and not executes the power consumption restraint operation. This unload operation effects the normal (not emergency) load/unload guarantee count per the device life.

Even if the device executes reading look-ahead operation or executes writing operation, the device unloads the head(s) to the ramp position as soon as possible when received the IDLE IMMEDIATE command with the Unload Feature. When the writing operation is stopped, the device keeps the unwritten data. And, the device keeps the unloaded state until receiving a Soft Reset/ COMRESET, or a new command except IDLE IMMEDIATE command with the Unload Feature.

At command issuance (Shadow Block Registers setting contents)					
CM	X 'E1'				
DH	x	x	x	x	xx
CH	X '55'				
CL	X '4E'				
SN	X '4C'				
SC	xx				
FR	X '44'				

At command completion (Shadow Block Registers contents to be read)					
ST	Status information				
DH	x	x	x	x	xx
CH	xx				
CL	xx				
SN	X 'C4'				
SC	xx				
ER	Error information				

## (12) STANDBY (X '96' or X 'E2')

Upon receipt of this command, the device enters the standby mode. If the device has already spun down, the spin-down sequence is not implemented.

If the Sector Count field has a value other than "0," the APS timer is set when the command is received. When the device receives the command involving a seek such as media access command, the device processes the command after transition to Active mode. After that, the device enters the command waiting state, and the timer starts to count down. If a command is not received within the period specified as the APS timer value, the device automatically enters Standby mode. If the Sector Count field value is "0" the APS timer is disabled when the command is received.

Under the standby mode, the spindle motor is stopped. Thus, when the command involving a seek such as READ SECTOR(s) command is received, the device processes the command after driving the spindle motor.

- Error reporting conditions

(1) A SATA communication error occurred (ST = 51h, ER = 14h).

At command issuance (Shadow Block Registers setting contents)					
CM	X '96' or X 'E2'				
DH	x	x	x	x	xx
CH	xx				
CL	xx				
SN	xx				
SC	Period of timer				
FR	xx				

At command completion (Shadow Block Registers contents to be read)					
ST	Status information				
DH	x	x	x	x	xx
CH	xx				
CL	xx				
SN	xx				
SC	xx				
ER	Error information				

## (13) IDLE (X '97' or X 'E3')

Upon receipt of this command, the device enters the idle mode. The device reports the status even if the device has not fully entered the idle mode. If the spindle of the device is already rotating, the spin-up sequence shall not be implemented.

By using this command, the APS (Automatic Power Standby) timer function is enabled and the timer immediately starts the countdown. When the timer reaches the specified value, the device enters standby mode. The APS timer is set to prohibition if the Sector Count field's value was "0" when device has received this command.

The period of timer count is set depending on the value of the Sector Count register as shown below.

Sector Count field value	Point of timer
0 [X '00']	Timeout disabled
1 to 240 [X '01' to X 'F0']	(Value × 5) seconds
241 to 251 [X 'F1' to X 'FB']	((Value-240) × 30) min
252 [X 'FC']	21 minutes
253 [X 'FD']	8 hrs
254 to 255 [X 'FE' to X 'FF']	21 minutes 15 seconds

- Error reporting conditions

(1) A SATA communication error occurred (ST = 51h, ER = 14h).

At command issuance (Shadow Block Registers setting contents)					
CM	X '97' or X 'E3'				
DH	x	x	x	x	xx
CH	xx				
CL	xx				
SN	xx				
SC	Period of timer				
FR	xx				



At command completion (Shadow Block Registers contents to be read)					
ST	Status information				
DH	x	x	x	x	xx
CH	xx				
CL	xx				
SN	xx				
SC	xx				
ER	Error information				

## (14) CHECK POWER MODE (X '98' or X 'E5')

The host checks the power mode of the device with this command.

The host system can confirm the power save mode of the device by the contents of the Sector Count field after executing this command.

The device sets the following field value. After that, the device reports the status to the host system.

Power save mode	Sector Count field
<ul style="list-style-type: none"> <li>• During moving to Standby mode</li> <li>• Standby mode</li> </ul>	X '00'
<ul style="list-style-type: none"> <li>• Idle mode</li> </ul>	X 'FF'
<ul style="list-style-type: none"> <li>• Active mode</li> </ul>	X 'FF'

- Error reporting conditions

(1) A SATA communication error occurred (ST = 51h, ER = 14h).

At command issuance (Shadow Block Registers setting contents)					
CM	X '98' or X 'E5'				
DH	x	x	x	x	xx
CH	xx				
CL	xx				
SN	xx				
SC	xx				
FR	xx				

At command completion (Shadow Block Registers contents to be read)					
ST	Status information				
DH	x	x	x	x	xx
CH	xx				
CL	xx				
SN	xx				
SC	X '00' or X 'FF'				
ER	Error information				

## (15) SLEEP (X '99' or X 'E6')

This command is the only way to make the device enter the sleep mode.

Upon receipt of this command, the device enters the sleep mode, then reports the status to the host system. The device reports the status even if the device has not fully entered the sleep mode.

In the sleep mode, the spindle motor is stopped.

The only way to release the device from sleep mode is to execute a software or COMRESET.

- Error reporting conditions

(1) A SATA communication error occurred (ST = 51h, ER = 14h).

At command issuance (Shadow Block Registers setting contents)					
CM	X '99' or X 'E6'				
DH	x	x	x	x	xx
CH	xx				
CL	xx				
SN	xx				
SC	xx				
FR	xx				

At command completion (Shadow Block Registers contents to be read)					
ST	Status information				
DH	x	x	x	x	xx
CH	xx				
CL	xx				
SN	xx				
SC	xx				
ER	Error information				

(16) SMART (X 'B0')

This command predicts the occurrence of device failures depending on the subcommand specified in the Features field. If the Features field contains values that are not supported with the command, the Aborted Command error is issued.

Before issuing the command, the host must set the key values in the Cylinder Low and Cylinder High field (4Fh in the Cylinder Low field and C2h in the Cylinder High field). If the key values are incorrect, the Aborted Command error is issued.

If the failure prediction function is disabled, the device returns the Aborted Command error to subcommands other than those of the SMART Enable Operations (with the Features field set to D8h).

If the failure prediction function is enabled, the device collects and updates data on specific items. The values of items whose data is collected and updated by the device in order to predict device failures are hereinafter referred to as attribute values.

**Table 5.9 Features Field values (subcommands) and functions (1/3)**

Features Field	Function
X 'D0'	<p><b>SMART READ DATA:</b></p> <p>A device that received this subcommand saves all the updated attribute values. The device then transfers 512-byte attribute value information to the host after transferring PIOSU.</p> <p>* For information about the format of the attribute value information, see Table 5.10.</p>
X 'D1'	<p><b>SMART READ ATTRIBUTE THRESHOLDS:</b></p> <p>This subcommand is used to transfer 512-byte guarantee failure threshold value data to the host.</p> <p>* For information about the format of the guarantee failure threshold value data, see Table 5.11.</p>
X 'D2'	<p><b>SMART ENABLE/DISABLE ATTRIBUTE AUTOSAVE:</b></p> <p>Enables (by setting the Sector Count field to a value other than 00h) or disables (by setting the Sector Count field to 00h) a function that automatically saves device attribute values ("automatic attribute save function"). This setting is held regardless of whether the device is turned on or off. If the automatic attribute save function is enabled and more than 15 minutes has elapsed since the last time that attributes were saved, then the attributes are saved. However, if the automatic attribute save function is disabled, the attributes are not saved. Upon receiving this subcommand, a device enables or disables the automatic attribute save function, and transfers the RegDH, then reports the status.</p> <p>In this drive, this function is enabled at the shipment from the factory.</p>
X 'D3'	<p><b>SMART SAVE ATTRIBUTE VALUES:</b></p> <p>When the device receives this subcommand, it saves device attribute value data, and transfers the RegDH, then reports the status.</p>
X 'D4'	<p><b>SMART EXECUTIVE OFF-LINE IMMEDIATE:</b></p> <p>A device which receives this command starts collecting the off-line data specified in the Sector Number field, or stops.</p> <p>In the off-line mode, after transferring the RegDH, off-line data are collected. In the captive mode, it collects off-line data then transfers the RegDH when collection of data is completed.</p> <p><u>SN Off-line data collection mode</u></p> <p>00h: Off-line diagnosis (off-line mode)</p> <p>01h: Simple self-test (off-line mode)</p> <p>02h: Comprehensive self-test (off-line mode)</p> <p>03h: Conveyance self-test (off-line mode)</p> <p>04h: Selective self-test (off-line mode)</p> <p>7Fh: Self-test stop</p> <p>81h: Simple self-test (captive mode)</p> <p>82h: Comprehensive self-test (captive mode)</p> <p>83h: Conveyance self-test (captive mode)</p> <p>84h: Selective self-test (captive mode)</p>

**Table 5.9 Features Field values (subcommands) and functions (2/3)**

Features Field	Function																											
X 'D5'	<p>SMART READ LOG: A device which receives this sub-command reads the log sector specified in the Sector Number Field. Next, it transfers the PIOSU and transmits the log sector to the host computer.</p> <table border="1" data-bbox="483 472 1019 821"> <thead> <tr> <th>SN:</th> <th>SC:</th> <th>Log sector</th> </tr> </thead> <tbody> <tr> <td>00h:</td> <td>01h:</td> <td>SMART log directory</td> </tr> <tr> <td>01h:</td> <td>01h:</td> <td>SMART summary error log</td> </tr> <tr> <td>02h:</td> <td>33h:</td> <td>SMART comprehensive error log</td> </tr> <tr> <td>06h:</td> <td>01h:</td> <td>SMART self-test log</td> </tr> <tr> <td>09h:</td> <td>01h:</td> <td>SMART selective self-test log</td> </tr> <tr> <td>80h-9Fh:</td> <td>01h-10h:</td> <td>Host vendor log</td> </tr> <tr> <td>E0h:</td> <td>01h:</td> <td>SCT Status Request</td> </tr> <tr> <td>E1h:</td> <td></td> <td>SCT Read Data</td> </tr> </tbody> </table> <p>* See Table 5.18 concerning the SMART error log data format. See Table 5.20 concerning the SMART self-test log data format. See Table 5.21 concerning the SMART selective self-test log data format. See Table 5.24 concerning the SCT Status Request data format.</p>	SN:	SC:	Log sector	00h:	01h:	SMART log directory	01h:	01h:	SMART summary error log	02h:	33h:	SMART comprehensive error log	06h:	01h:	SMART self-test log	09h:	01h:	SMART selective self-test log	80h-9Fh:	01h-10h:	Host vendor log	E0h:	01h:	SCT Status Request	E1h:		SCT Read Data
SN:	SC:	Log sector																										
00h:	01h:	SMART log directory																										
01h:	01h:	SMART summary error log																										
02h:	33h:	SMART comprehensive error log																										
06h:	01h:	SMART self-test log																										
09h:	01h:	SMART selective self-test log																										
80h-9Fh:	01h-10h:	Host vendor log																										
E0h:	01h:	SCT Status Request																										
E1h:		SCT Read Data																										
X 'D6'	<p>SMART WRITE LOG: A device which receives this sub-command, when it has prepared to receive data from the host computer, it transfers the PIOSU. Next, it receives data from the host computer and writes the specified log sector in the Sector Number Field.</p> <table border="1" data-bbox="483 1266 1117 1455"> <thead> <tr> <th>SN:</th> <th>SC:</th> <th>Log sector</th> </tr> </thead> <tbody> <tr> <td>09h:</td> <td>01h:</td> <td>SMART selective self-test log</td> </tr> <tr> <td>80h-9Fh:</td> <td>01h-10h:</td> <td>Host vendor log</td> </tr> <tr> <td>E0h:</td> <td>01h:</td> <td>SCT Command Set</td> </tr> <tr> <td>E1h:</td> <td></td> <td>SCT Read Data</td> </tr> </tbody> </table> <p>* The host can write any desired data in the host vendor log. See Table 5.27 to 5.29 concerning the SCT Command Set data format.</p>	SN:	SC:	Log sector	09h:	01h:	SMART selective self-test log	80h-9Fh:	01h-10h:	Host vendor log	E0h:	01h:	SCT Command Set	E1h:		SCT Read Data												
SN:	SC:	Log sector																										
09h:	01h:	SMART selective self-test log																										
80h-9Fh:	01h-10h:	Host vendor log																										
E0h:	01h:	SCT Command Set																										
E1h:		SCT Read Data																										
X 'D8'	<p>SMART ENABLE OPERATIONS: This subcommand enables SMART. The setting is maintained even when the device is turned off and then on. When the device receives this subcommand, it enables SMART, then transfers the RegDH.</p>																											

**Table 5.9 Features Field values (subcommands) and functions (3/3)**

Features Field	Function
X 'D9'	<p><b>SMART DISABLE OPERATIONS:</b></p> <p>This subcommand disables SMART. The setting is maintained even when the device is turned off and then on.</p> <p>When the device receives this subcommand, it disables SMART, then transfers the RegDH.</p>
X 'DA'	<p><b>SMART RETURN STATUS:</b></p> <p>When the device receives this subcommand, it saves the current device attribute values. Then the device compares the device attribute values with guarantee failure threshold values. If there is an attribute value exceeding the threshold, F4h and 2Ch are loaded into the Cylinder Low and Cylinder High field. If there are no attribute values exceeding the thresholds, 4Fh and C2h are loaded into the Cylinder Low and Cylinder High field. After the settings for the Cylinder Low and Cylinder High field have been determined, the device transfers the RegDH.</p>
X 'DB'	<p><b>SMART ENABLE/DISABLE AUTO OFF-LINE:</b></p> <p>This sets automatic off-line data collection in the enabled (when the Sector Count field specification <math>\neq</math> 00h) or disabled (when the Sector Count field specification = 00) state. This setting is preserved whether the drive's power is switched on or off.</p> <p>If 24 hours have passed since the power was switched on, or since the last time that off-line data were collected, off-line data collection is performed without relation to any command from the host computer.</p>

The host must regularly issue the SMART READ DATA subcommand (Features field = D0h), SMART SAVE ATTRIBUTE VALUES subcommand (Features field = D3h), or SMART RETURN STATUS subcommand (Features field = DAh) to save the device attribute value data on a medium.

Alternative, the device must issue the SMART ENABLE-DISABLE ATTRIBUTE AUTOSAVE subcommand (Features field = D2h) to use a feature which regularly saves the device attribute value data to a medium.

In this drive, this function is enabled at the shipment from the factory.

The host can predict failures in the device by periodically issuing the SMART RETURN STATUS subcommand (Features field = DAh) to reference the Cylinder Low and Cylinder High field.

If an attribute value is below the guarantee failure threshold value, the device is about to fail or the device is nearing the end of its life. In this case, the host recommends that the user quickly backs up the data.

At command issuance (Shadow Block Registers setting contents)								
CM	1	0	1	1	0	0	0	0
DH	x	x	x	x	xx			
CH	Key (C2h)							
CL	Key (4Fh)							
SN	xx							
SC	xx							
FR	Subcommand							

At command completion (Shadow Block Registers contents to be read)								
ST	Status information							
DH	x	x	x	x	xx			
CH	Key-failure prediction status (C2h/2Ch)							
CL	Key-failure prediction status (4Fh/F4h)							
SN	xx							
SC	xx							
ER	Error information							

The attribute value information is 512-byte data; the format of this data is shown the following Table 5.10. The host can access this data using the SMART READ DATA subcommand (Features field = D0h). The guarantee failure threshold value data is 512-byte data; the format of this data is shown the following Table 5.11. The host can access this data using the SMART READ ATTRIBUTE THRESHOLDS subcommand (Features field = D1h).



**Table 5.10 Format of device attribute value data**

Byte(hex)	Item	
00, 01	Data format version number	
02	Attribute 1	Attribute ID
03, 04		Status flag
05		Current attribute value
06		Attribute value for worst case so far
07 to 0C		Raw attribute value
0D		Reserved
0E to 169		Attribute 2 to attribute 30
16A	Off-line data collection status	
16B	Self-test execution status	
16C, 16D	Off-line data collection execution time [sec.]	
16E	Reserved	
16F	Off-line data collection capability	
170, 171	Trouble prediction capability flag	
172	Error logging capability	
173	(Self-test error detection point)	
174	Simple self-test (Quick Test) execution time [min.]	
175	Comprehensive self-test (Comprehensive Test) execution time [min.]	
176	Conveyance self-test execution time [min.]	
177 to 181	Reserved	
182 to 1FE	Vendor unique	
1FF	Check sum	

**Table 5.11 Format of guarantee failure threshold value data**

Byte(hex)	Item	
00, 01	Data format version number	
02	Threshold 1	Attribute ID
03		Guarantee failure threshold
04 to 0D		Reserved
0E to 169	Threshold 2 to Threshold 30	(The format of each threshold value is the same as that of bytes 02 to 0D.)
16A to 17B	Reserved	
17C to 1FE	Vendor unique	
1FF	Check sum	

- Data format version number

The data format version number indicates the version number of the data format of the device attribute values or guarantee failure thresholds. The data format version numbers of the device attribute values and guarantee failure thresholds are the same. When a data format is changed, the data format version numbers are updated.

- Attribute ID

The attribute ID is defined as follows:

Attribute ID	Attribute name
0	(Indicates unused attribute data.)
1	Read Error Rate
2	Throughput Performance
3	Spin Up Time
4	Start/Stop Count
5	Reallocated Sector Count
7	Seek Error Rate
8	Seek Time Performance
9	Power-On Hours Count
10	Spin Retry Count
12	Drive Power Cycle Count
192	Emergency Retract Cycle Count
193	Load/Unload Cycle Count
194	HDA Temperature
195	ECC On the Fly Count
196	Reallocated Event Count
197	Current Pending Sector Count
198	Off-Line Scan Uncorrectable Sector Count
(199)	(Ultra ATA CRC Error Count)
200	Write Error Rate
203	Run Out
240	Transfer Error Rate * If the device receives the reset during transferring the data, the transfer error is counted up.

- Status Flag

Bit	Meaning
0	If this bit is 1, it indicates normal operations are assured with the attribute when the attribute value exceeds the threshold value.
1	If this bit is 1 (0), it indicates the attribute only updated by an on-line test (off-line test).
2	If this bit 1, it indicates the attribute that represents performance.
3	If this bit 1, it indicates the attribute that represents an error rate.
4	If this bit 1, it indicates the attribute that represents the number of occurrences.
5	If this bit 1, it indicates the attribute that can be collected/saved even if SMART is disabled.
6 to 15	Reserve bit

- Current attribute value

It indicates the normalized value of the original attribute value. The value deviates in a range of 01h to 64h (range of 01h to C8h for the Ultra ATA CRC error rate and communication error rate). It indicates that the closer the value is to 01h, the higher the possibility of a failure. The host compares the attribute value with the threshold value. If the attribute value is larger than the threshold value, the drive is determined to be normal.

- Attribute value for the worst case so far

This is the worst attribute value among the attribute values collected to data. This value indicates the state nearest to a failure so far.

- Raw attribute value

Raw attributes data is retained.

- Off-line data collection status

**Table 5.12 Off-line data collection status**

Status Byte	Meaning
00h or 80h	Off-line data collection is not executed.
02h or 82h	Off-line data collection has ended without an error.
04h or 84h	Off-line data collection is interrupted by a command from the host.
05h or 85h	Off-line data collection has ended before completion because of a command from the host.
06h or 86h	Off-line data collection has ended before completion because of an error that makes collection impossible. (Not used)
40 to 7Fh C0h to FFh	Vendor unique (Not used)
01h or 81h 03h or 83h 07h or 3Fh 87h to BFh	Reserved

- Self-test execution status

**Table 5.13 Self-test execution status**

Bit	Meaning
0 to 3:	Remainder of the self-test is indicated as a percentage in a range of "0h to 9h" (corresponding to 0 to 90 %).
4 to 7:	Self-test execution status
= 0h:	Self-test has ended successfully, or self-test has not been executed.
= 1h:	Self-test is suspended by the host.
= 2h:	Self-test is interrupted by a soft reset/COMRESET from the host.
= 3h:	Self-test cannot be executed.
= 4h:	Self-test has ended with an abnormality because of unknown contents.
= 5h:	Self-test has ended with "Write/Read Test" error.
= 6h:	Self-test has ended with "Servo Check," error.
= 7h:	Self-test has ended with "SMART Drive Error Log Check," "Random Read Test," "Adjacent G-List Test," or "Read Scan Test" error.
= 8h:	Self-test has ended with "Pre-SMART Check," or "Post-SMART Check" error.
= 9h to Eh:	Reserved
= Fh:	Self-test is in progress.

- Off-line data collection capability

Indicates the method of off-line data collection carried out by the drive. If the off-line data collection capability is 0, it indicates that off-line data collection is not supported.

**Table 5.14 Off-line data collection capability**

Bit	Meaning
0	If this bit is 1, it indicates that the SMART EXECUTE OFF-LINE IMMEDIATE sub-command (Features field = D4h) is supported.
1	Vendor unique
2	If this bit is 1, it indicates that offline data collection under execution is aborted when a new command is received.
3	If this bit is 1, it indicates that the SMART Off-line Read Scanning Technology is supported.
4	If this bit is 1, it indicates that the SMART Self-test function is supported.
5	If this bit is 1, it indicates that the SMART Conveyance Self-test is supported.
6	If this bit is 1, it indicates that the SMART Selective Self-test is supported.
7	Reserved bits

- Failure prediction capability flag

**Table 5.15 Failure prediction capability flag**

Bit	Meaning
0	If this bit is 1, it indicates that the attribute value is saved on media before the drive enters the power save mode.
1	If this bit is 1, it indicates that the attribute value is saved automatically after the pre-set operation of the drive.
2 to 15	Reserved bits

- Error logging capability

**Table 5.16 Drive error logging capability**

Bit	Meaning
0	If this bit is 1, it indicates that the drive error logging function is supported.
1 to 7	Reserved bits

- Checksum

Two's complement of the lower byte, obtained by adding 511-byte data one byte at a time from the beginning.

- Guarantee failure threshold

The limit of a varying attribute value. The host compares the attribute values with the thresholds to identify a failure.

**Table 5.17 Log Directory Data Format**

Byte(hex)	Item	
00, 01	SMART Logging Version	
02	Number of sectors of Address "01h"	
03	Reserved	
04	Number of sectors of Address "02h"	
05 to 0B	Reserved	
0C	Number of sectors of Address "06h"	
0D to 11	Reserved	
12	Number of sectors of Address "09h"	
13 to FF	Reserved	
100	Address 80h	Number of sector
101		Reserved
102 to 13F	Address 81h to Address 9Fh	"102" and "13F" are both the same format as "100-101"
140 to 1FF	Reserved	

- SMART error logging

If the device detects an unrecoverable error during execution of a command received from the host, the device registers the error information in the SMART Summary Error Log (see Table 5.18) and the SMART Comprehensive Error Log (see Table 5.19), and saves the information on media.

The host issues the SMART Read Log Sector sub-command (Features field = D5h, Sector Number field = 01h, Sector Count field = 01h) and can read the SMART Summary Error Log.

The host issues the SMART Read Log Sector sub-command (Features field = D5h, Sector Number field = 02h, Sector Count field = 33h) and can read the SMART Comprehensive Error Log.

**Table 5.18 Data format of SMART Summary Error Log (1/2)**

Byte(hex)	Item		
00	Version of this function		
01	Pointer for the latest "Error Log Data Structure"		
02 to 0D	Error log data structure	Forth last command data structure	
0E to 19		Third last command data structure	
1A to 25		Second last command data structure	
26 to 31		Last command data structure	
32		Command data structure	Device Control field value
33			Features field value
34			Sector Count field value
35			Sector Number field value
36			Cylinder Low field value
37			Cylinder High field value
38			Drive/Head field value
39			Command field value
3A to 3D			Elapsed time after the power-on sequence (unit: ms)

**Table 5.18 Data format of SMART Summary Error Log (2/2)**

Byte(hex)	Item	
3E	Error data structure	Reserved
3E		Reserved
3F		Error field value
40		Sector Count field value
41		Sector Number field value
42		Cylinder Low field value
43		Cylinder High field value
44		Drive/Head field value
45		Status field value
46 to 58		Vendor unique
59		State
5A, 5B		Power-on time (unit: h)
5C to 1C3		Error log data structure 2 to Error log data structure 5
1C4, 1C5	Total number of drive errors	
1C6 to 1FE	Reserved	
1FF	Check sum	

- **Command data structure**  
Indicates the command received when an error occurs.
- **Error data structure**  
Indicates the status register when an error occurs.
- **Total number of drive errors**  
Indicates total number of errors registered in the error log.
- **Checksum**  
Two's complement of the lower byte, obtained by adding 511-byte data one byte at a time from the beginning.



- Status

Bits 0 to 3: Indicates the drive status when received error commands according to the following table.

Bits 4 to 7: Vendor unique

Status	Meaning
0	Unclear status
1	Sleep status
2	Standby status
3	Active status (BSY bit = 0)
4	Off-line data collection being executed
5 to F	Reserved

**Table 5.19 Data format of SMART Comprehensive Error Log**

Byte(hex)	First sector	Next sector
00	SMART Error Logging 01h	Reserved
01	Index Pointer Latest Error Data Structure	Reserved
02 to 5B	1 <sup>st</sup> Error Log Data Structure	Error Log Data Structure 5n+1
5C to B5	2 <sup>nd</sup> Error Log Data Structure2	Error Log Data Structure 5n+2
B6 to 10F	3 <sup>rd</sup> Error Log Data Structure3	Error Log Data Structure 5n+3
110 to 169	4 <sup>th</sup> Error Log Data Structure4	Error Log Data Structure 5n+4
16A to 1C3	5 <sup>th</sup> Error Log Data Structure5	Error Log Data Structure 5n+5
1C4 to 1C5	Total number of drive errors	Reserved
1C6 to 1FE	Reserved	Reserved
1FF	Check sum	Check sum

"n" indicates sector number in the Error Log. The first sector is 0.

- SMART Self-Test

The host computer can issue the SMART Execute Off-line Immediate sub-command (Features field = D4h) and cause the device to execute a self-test. When the self-test is completed, the device saves the SMART self-test log to the disk medium.

The host computer can issue the SMART Read Log Sector sub-command (Features field = D5h, Sector Number field = 06h, Sector Count field = 01h) and can read the SMART self-test log.

**Table 5.20 SMART self-test log data format**

Byte(hex)	Item	
00, 01	Self-test log data structure	
02	Self-test log 1	Self-test number (Sector Number field Value)
03		Self-test execution status
04, 05		Life time. Total power-on time [hours]
06		Self-test error No.
07 to 0A		Error LBA
0B to 19		Vendor unique
1A to 1F9		Self-test log 2 to 21
1FA, 1FB	Vendor unique	
1FC	Self-test index	
1FD, 1FE	Reserved	
1FF	Check sum	

- **Self-test number**  
Indicates the type of self-test executed.
- **Self-test execution status**  
Same as byte 16Bh of the attribute value.
- **Self-test index**  
If this is "00h", it indicates the status where the self-test has never been executed.
- **Checksum**  
Two's complement of the lower byte, obtained by adding 511-byte data one byte at a time from the beginning.

**Table 5.21 Selective self-test log data structure**

Byte(hex)	Item	
00, 01	Data Structure Revision Number	
02 to 09	Test Span 1	Starting LBA
0A to 11		Ending LBA
12 to 19	Test Span 2	Starting LBA
1A to 21		Ending LBA
22 to 29	Test Span 3	Starting LBA
2A to 31		Ending LBA
32 to 39	Test Span 4	Starting LBA
3A to 41		Ending LBA
42 to 49	Test Span 5	Starting LBA
4A to 51		Ending LBA
52 to 151	Reserved	
152 to 1EB	Vender Unique	
1EC to 1F3	Current LBA under test	
1F4 to 1F5	Current Span under test	
1F6 to 1F7	Feature Flags	
1F8	Vender Unique	Offline Execution Flag
1F9		Selective Offline Scan Number
1FA, 1FB		Reserved
1FC, 1FD	Selective Self-test pending time [min]	
1FE, 1FF	Checksum	

- **Test Span**

Selective self-test log provides for the definition of up to five test spans. If the starting and ending LBA values for a test span are both zero, a test span is not defined and not tested.

- **Current LBA under test**

As the self-test progress, the device shall modify this value to contain the LBA currently being tested.

- Current Span under test

As the self-test progress, the device shall modify this value to contain the test span number currently being tested.

- Feature Flags

**Table 5.22 Selective self-test feature flags**

Bit	Description
0	Vendor specific (unused)
1	When set to one, perform off-line scan after selective test.
2	Vendor specific (unused)
3	When set to one, off-line scan after selective test is pending.
4	When set to one, off-line scan after selective test is active.
5 to 15	Reserved

Bit [1] shall be written by the host and returned unmodified by the device. Bit [3:4] shall be written as zeros by the host and the device shall modify them as the test progress.

- Selective Self-test pending time [min]

The selective self-test pending time is the time in minutes from power-on to the resumption of the off-line testing if the pending bit is set.

- SMART Command Transport (SCT)

This command supports the following functions by using the SMART command according to the value specified for the SN field and the FR field. Moreover, WRITE LOG EXT/READ LOG EXT is used in 48-CMD environment.

**Table 5.23 SCT command and the function**

Sector Number field	Features field	Function
X 'E0'	X 'D5'	<p>SCT STATUS REQUEST:</p> <p>A device that received this subcommand transfers Status information of SCT in 512 bytes to the host.</p> <p>* For information about the format of the SCT Status, see Table 5.24.</p>
X 'E0'	X 'D6'	<p>SCT COMMAND SET:</p> <p>A device that received this subcommand and the Key Sector Format data of 512 bytes is received from the host, and a device execute the specific operation for which the action code.</p> <p>* For information about the format of the Key Sector Format, see Table 5.27 to Table 5.30.</p>
X 'E1'	X 'D5'	<p>SCT READ DATA:</p> <p>A device that received this subcommand transfers the data table of the number of sectors specified with Sector Count field to the host. It is necessary to issue the SCT COMMAND SET immediately before when this command is issued.</p>
X 'E1'	X 'D6'	<p>SCT WRITE DATA:</p> <p>A device that received this subcommand and the Data Table of the number of sectors specified with Sector Count field from the host, and a device execute the write operation. It is necessary to issue the SCT COMMAND SET immediately before when this command is issued.</p>

- SCT STATUS REQUEST (SN = E0h, FR = D5h)

This command is used to know the status data of SCT shown in Table 5.24 of the device.

At command issuance (Shadow Block Registers setting)								
CM	1	0	1	1	0	0	0	0
DH	x	x	x	DV	Xx			
CH	Key (C2h)							
CL	Key (4Fh)							
SN	E0h							
SC	01h							
FR	D5h							

At command completion (Shadow Block Registers contents to be read)								
ST	Status information							
DH	x	x	x	DV	xx			
CH	xx							
CL	xx							
SN	xx							
SC	xx							
ER	Error information							

**Table 5.24 Format of SCT STATUS Response (1/2)**

Byte(hex)	Contents
00, 01	Format Version
02, 03	SCT Version
04, 05	SCT Spec
06 to 09	<p>Status Flag</p> <p>Bit31-1: Reserved</p> <p>Bit0: Initialized flag (maintained Power-OFF/ON)</p> <p>0 = When any user LBA is written, this bit is cleared.</p> <p>This bit is also cleared if the capacity of the drive is changed via SET MAX (EXT), DCO.</p> <p>1= A WRITE SAME command to all logical blocks has completed without error.</p>
0A	<p>Drive State</p> <p>00h = Active</p> <p>01h = not support (Standby).</p> <p>02h = not support (Sleep).</p> <p>03h = DST executing in background</p> <p>04h = SMART Off-line Data collection executing in background</p> <p>05h = SCT command executing in background</p> <p>06h-FFh = Reserved</p>
0B to 0D	Reserved
0E, 0F	<p>Extended Status Code</p> <p>Status of last SCT command issued</p> <p>* (See Table 5.25)</p>
10, 11	<p>Action Code</p> <p>Action code of last SCT command issued</p>
12, 13	<p>Function Code</p> <p>Function code of last SCT command issued</p>

**Table 5.24 Format of SCT STATUS Response (2/2)**

Byte(hex)	Contents
14 to 27	Reserved
28 to 2F	Current LBA of SCT command executing in background
30 to C7	Reserved
C8	HDA Temp [°C] Current drive HDA temperature
C9	Minimum HDA temperature in this power cycle
CA	Max Temp [°C] Maximum HDA temperature in this power cycle
CB	Minimum HDA temperature for the life of the device
CC	Life Max Temp [°C] Maximum HDA temperature for the life of the device
CD	Reserved
CE to D1	Over Limit Count (HDA temperature)
D2 to D5	Under Limit Count (HDA temperature)
D6 to 1DF	Reserved
1E0 to 1FF	Vender specific



**Table 5.25 SCT STATUS code**

Code(hex)	Definition
0000	Command completed without error
0001	Invalid Function Code
0002	Input LBA out of range
0003	Request sector count over flow
0004	Invalid Function Code in Error Recovery Control command
0005	Invalid Selection Code in Error Recovery Control command
0006	Host read command timer is less than minimum value.
0007	Host write command timer is less than minimum value.
0008	Background SCT command was aborted because of an interrupting host command.
0009	Background SCT command was terminated because of unrecoverable error.
000A	Invalid function code in LONG SECTOR ACCESS command
000B	SCT data transfer command was issued without first issuing an SCT command.
000C	Invalid function code in Feature Control command
000D	Invalid Feature Code in Feature Control command
000E	Invalid New State in Feature Control command
000F	Invalid Option Flag in Feature Control command
0010	Invalid Action Code
0011	Invalid Table ID
0012	Command was aborted due to drive security being locked.
0013	Invalid revision code
0014	Foreground SCT operation was terminated because of unrecoverable error.
0015	SCT Error Recovery Timeout occurred.
0016 to BFFF	Reserved
C000 to FFFE	Vender specific

- **SCT COMMAND SET (SN = E0h, FR = D6)**

This command transfers Key Sector Format in 512 bytes including the action code shown in Table 5.26 to the device, and executes each function to show in Table 5.27 to Table 5.30.

28-bit command

At command issuance (Shadow Block Registers setting)								
CM	1	0	1	1	0	0	0	0
DH	x	x	x	DV	Xx			
CH	Key (C2h)							
CL	Key (4Fh)							
SN	E0h							
SC	01h							
FR	D6h							

At command completion (Shadow Block Registers contents to be read)								
ST	Status information							
DH	x	x	x	DV	xx			
CH	xx							
CL	xx							
SN	xx							
SC	xx							
ER	Error information							

**Table 5.26 Action code**

Code(hex)	Function	Data transfer
0000	Reserved	-
0001	Not supported	-
0002	WRITE SAME See Table 5.27.	Write
0003	ERROR RECOVERY CONTROL See Table 5.28.	-
0004	FEATURE CONTROL See Table 5.29.	-
0005	SCT DATA TABLE See Table 5.30.	Read
0006 to BFFF	Reserved	-
C000 to FFFF	Vender specific	-

**Table 5.27 WRITE SAME (1/2)**

Byte(hex)	Name	Value	Description
00, 01	Action Code	0002h	WRITE SAME
02, 03	Function Code	0001h	Repeat Write Pattern It initializes it by data pattern of 32bit specified with byte 014h-017h.
		0002h	Repeat Write data block It initializes it by data pattern of 1sct transfer by the SCT Write data.
		0101h	Repeat Write Pattern Foreground
		0102h	Repeat Write data block Foreground
04 to 0B	LBA	(8 byte)	Start LBA

**Table 5.27 WRITE SAME (2/2)**

Byte(hex)	Name	Value	Description
0C to13	Count	(8 byte)	Number of Sectors
14 to17	Pattern	(4 byte)	If the Function Code is 0001h, this field contains a 32-bit pattern that is written on the media.
18 to 1FF	(Reserved)	-	Reserved

\* It is invalid excluding the description value.

**Table 5.28 ERROR RECOVERY CONTROL**

Byte(hex)	Name	Value	Description
00, 01	Action Code	0003h	ERROR RECOVERY CONTROL
02, 03	Function Code	0001h	Set New Value The retry processing when making an error in the specified timer
		0002h	Return Current Value The timer value of the error recovery being set now is displayed in SN /SC field.
04, 05	Selection Code	0001h	Read Timer
		0002h	Write Timer
06, 07	Value	(2 byte)	Set to Timer Value (x 100 ms) Minimum value is 10 sec. (ex.) 0000h: Disable timeout 0063h: Invalid 0064h: 10000 ms (10 s)
08 to 1FF	(Reserved)	-	Reserved

\* It is invalid excluding the description value.

**Table 5.29 FEATURE CONTROL COMMAND**

Byte(hex)	Name	Value	Description
00, 01	Action Code	0004h	FEATURE CONTROL COMMAND
02, 03	Function Code	0001h	Set New State
		0002h	Return Current State Current Feature Control State is displayed in SN/SC field.
		0003h	Return Option Flag Current Option Flag is displayed in SN/SC field.
04, 05	Feature Code	0001h	Write Cache
		0002h	Write Reordering
		0003h	Set time interval for temperature logging
06, 07	New State	(2 byte)	Feature Code = 0001h (Set Write Cache) 0001h: Allow write cache operation to be determined by ATA Set Feature command. 0002h: Force Write Cache enabled. 0003h: Force Write Cache disable.
			Feature Code = 0002h(Set Write Reordering) 0001h: Enable Write Reordering 0002h: Disable Write Reordering
			Feature Code = 0003h(Set time interval) 0000h: Invalid 0001h-FFFFh: Logging interval in minutes (ex.) 0001h: Temperature data collection interval is 1min. 000Fh: Temperature data collection interval is 15min.
08, 09	Option Flag	(2 byte)	Bit 15-1: Reserved Bit0: 1 = Maintain the state at COMRESET/Power cycle. 0 = Revert to default setting at COMRESET/Power cycle.
0A to 1FF	(Reserved)	-	Reserved

**Table 5.30 SCT DATA TABLE**

Byte(hex)	Name	Value	Description
00, 01	Action Code	0005h	SCT DATA TABLE
02, 03	Function Code	0001h	Read Data Table
04, 05	Table ID	0000h	Invalid
		0001h	Reserved
		0002h	HAD Temperature History Table * See Table 5.31.
		0003h to CFFFh	Reserved
		D000h to FFFFh	Vender specific
06 to 1FF	(Reserved)	-	Reserved

**Table 5.31 HAD Temperature**

Byte(hex)	Contents
00, 01	Format Version
02, 03	Sampling Period Frequency of sampling each set time of temperature log.
04, 05	Interval Time of temperature log of interval (min)
00	Max Operation Limit (°C)
07	Over Limit (°C)
08	Min Operation Limit (°C)
09	Under Limit (°C)
0A to 1D	Reserved
1E, 1F	Number of logs that can be recorded in temperature log
20, 21	Index of temperature log
22 to 1FF	Temperature log (478 data) Entry 80h temperature log at Power cycle and default value is 80h.  022h: Temp Log No.0 023h: Temp Log No.1 to 1FFh: Temp Log No.478

- **SCT READ DATA (SN = E1h, FR = D5h)**

This command reads the data specified with SCT SET COMMAND and number of sectors specified Sector Count field.

28-bit command

At command issuance (Shadow Block Registers setting)								
CM	1	0	1	1	0	0	0	0
DH	x	x	x	DV	Xx			
CH	Key (C2h)							
CL	Key (4Fh)							
SN	E1h							
SC	xx							
FR	D5h							

At command completion (Shadow Block Registers contents to be read)								
ST	Status information							
DH	x	x	x	DV	xx			
CH	xx							
CL	xx							
SN	xx							
SC	xx							
ER	Error information							

SCT READ DATA Command issue procedure.

1. Issue the SCT set command of action code 0005h.
2. Issue the SCT READ DATA command and receive the HDA temperature data from the device.



- **SCT WRITE DATA (SN = E1h, FR = D6h)**

This command writes the data of the number of sectors for which the data specified with SCT SET COMMAND and number of sectors specified Sector Count Field.

28-bit command

At command issuance (Shadow Block Registers setting)								
CM	1	0	1	1	1	1	1	1
DH	x	x	x	DV	Xx			
CH	Key (C2h)							
CL	Key (4Fh)							
SN	E1h							
SC	xx							
FR	D6h							

At command completion (Shadow Block Registers contents to be read)								
ST	Status information							
DH	x	x	x	DV	xx			
CH	xx							
CL	xx							
SN	xx							
SC	xx							
ER	Error information							

SCT WRITE DATA Command issue procedure.

1. Issue the SCT set command of action code 0002h and function code 0002h.
2. Issue the SCT write command and the write data is transmitted to the device.

## (17) DEVICE CONFIGURATION (X 'B1')

Individual Device Configuration Overlay feature sub commands are identified by the value placed in the Features field. The following table shows these Features field values. If this command sets with the reserved value of Features field, an aborted command error is posted.

FR field	Command
C0h	DEVICE CONFIGURATION RESTORE
C1h	DEVICE CONFIGURATION FREEZE
C2h	DEVICE CONFIGURATION IDENTIFY
C3h	DEVICE CONFIGURATION SET
00h to BFh, C4h to FFh	Reserved

At command issuance (Shadow Block Registers setting contents)								
CM	1	0	1	1	0	0	0	1
DH	x	x	x	x	xx			
CH	xx							
CL	xx							
SN	xx							
SC	xx							
FR	C0h/C1h/C2h/C3h							

At command completion (Shadow Block Registers contents to be read)								
ST	Status information							
DH	x	x	x	x	xx			
CH	xx							
CL	xx							
SN	xx							
SC	xx							
ER	Error information							

- **DEVICE CONFIGURATION RESTORE (Features Field = C0h)**

The DEVICE CONFIGURATION RESTORE command disables any setting previously made by a DEVICE CONFIGURATION SET command and returns the content of the IDENTIFY DEVICE command response to the original settings as indicated by the data returned from the execution of a DEVICE CONFIGURATION IDENTIFY command. After execution of this command, the settings are kept regardless of the power-on or COMRESET execution.

- **Error reporting conditions**

- (1) The device is in the Device Configuration Freeze Lock state (ST = 51h, ER = 04h).
- (2) The command was received before the DEVICE CONFIGURATION SET command was issued (ST = 51h, ER = 04h).
- (3) The SET MAX ADDRESS (EXT) command (F9h, 37h) has been specified with a value in the Host Protected Area (ST = 51h, ER = 04h).
- (4) A SATA communication error occurred (ST = 51h, ER = 14h).

- **DEVICE CONFIGURATION FREEZE LOCK (Features Field = C1h)**

The DEVICE CONFIGURATION FREEZE LOCK command prevents accidental modification of the Device Configuration Overlay settings. After successful execution of a DEVICE CONFIGURATION FREEZE LOCK command, all DEVICE CONFIGURATION SET, DEVICE CONFIGURATION FREEZE LOCK, DEVICE CONFIGURATION IDENTIFY, and DEVICE CONFIGURATION RESTORE commands are aborted by the device. The DEVICE CONFIGURATION FREEZE LOCK condition is cleared by a power-down, not cleared by a COMRESET or software reset.

- **Error reporting conditions**

- (1) The device is in the Device Configuration Freeze Lock state (ST = 51h, ER = 04h).
- (2) A SATA communication error occurred (ST = 51h, ER = 14h).

- **DEVICE CONFIGURATION IDENTIFY (Features Field = C2h)**

The DEVICE CONFIGURATION IDENTIFY command returns information shown in Table 5.32. The content of this data structure indicates the selectable commands, modes, and feature sets that the device is capable of supporting. If a DEVICE CONFIGURATION SET command has been issued reducing the capabilities, the response to an IDENTIFY DEVICE command will reflect the reduced set of capabilities, however, the DEVICE CONFIGURATION IDENTIFY command will not be changed.

- **Error reporting conditions**

- (1) The device is in the Device Configuration Freeze Lock state (ST = 51h, ER = 04h).
- (2) A SATA communication error occurred (ST = 51h, ER = 14h).

- **DEVICE CONFIGURATION SET (Features Field = C3h)**

The DEVICE CONFIGURATION SET command allows to reduce the set of optional commands, modes, or feature sets supported by a device as indicated by a DEVICE CONFIGURATION IDENTIFY command. The format of the overlay transmitted by the device is described in Table 5.32. As a result to the limitation of the function by the DEVICE CONFIGURATION SET command, is reflected in IDENTIFY information. When the bits in these words are cleared, the device no longer supports the indicated command, mode, or feature set. If a bit is set in the overlay transmitted by the device that is not set in the overlay received from a DEVICE CONFIGURATION IDENTIFY command, no action is taken for that bit. After execution of this command, the settings are kept regardless of the power-on, COMRESET, or soft reset.

If the restriction of Multiword DMA modes or Ultra DMA modes is executed, a SET FEATURES command should be issued for the modes restriction prior the DEVICE CONFIGURATION SET command is issued. When the Automatic Acoustic Management function is assumed to be unsupported, Automatic Acoustic Management is disabled beforehand by SET FEATURES command (FR=C2h).

- **Error reporting conditions**

- (1) The device is in the Device Configuration Freeze Lock state (ST = 51h, ER = 04h).
- (2) The SET MAX ADDRESS (EXT) command (F9h, 37h) has been specified with a value in the Host Protected Area (ST = 51h, ER = 04h).
- (3) A SATA communication error occurred (ST = 51h, ER = 14h).
- (4) A DEVICE CONFIGURATION SET command has already modified the original settings as reported by a DEVICE CONFIGURATION IDENTIFY command1 (ST = 51h, ER = 04h).
- (5) Any of the bit modification restrictions described are violated (ST=51h,ER=04h).

**Table 5.32 DEVICE CONFIGURATION IDENTIFY data structure (1/2)**

Word	Value	Content
0	X '0002'	Data structure revision
1	X '0007'	Multiword DMA modes supported Reflected in IDENTIFY information "WORD63". Bits 15-3: Reserved Bit 2: 1 = Multiword DMA mode 2 and below are supported Bit 1: 1 = Multiword DMA mode 1 and below are supported Bit 0: 1 = Multiword DMA mode 0 is supported
2	X '003F'	Ultra DMA modes supported Reflected in IDENTIFY information "WORD88". Bits 15-7: Reserved Bit 6: 1 = Ultra DMA mode 6 and below are supported Bit 5: 1 = Ultra DMA mode 5 and below are supported Bit 4: 1 = Ultra DMA mode 4 and below are supported Bit 3: 1 = Ultra DMA mode 3 and below are supported Bit 2: 1 = Ultra DMA mode 2 and below are supported Bit 1: 1 = Ultra DMA mode 1 and below are supported Bit 0: 1 = Ultra DMA mode 0 is supported
3 to 6	-	Maximum LBA address Reflected in IDENTIFY information "WORD60-61". (WORD100-103) *
7	X '79CF' *	Command set/feature set supported Reflected in IDENTIFY information "WORD82-87". Bit 15: Reserved Bit 14: 1 = Write Read Verify feature set supported Bit 13: 1 = SMART Conveyance self-test supported Bit 12: 1 = SMART Selective self-test supported Bit 11: 1 = FUA (Forced Unit Access) supported Bit 10: Reserved Bit 9: 1 = Streaming feature set supported Bit 8: 1 = 48-bit Addressing feature set supported Bit 7: 1 = Host Protected Area feature set supported Bit 6: 1 = Automatic acoustic management supported Bit 5: 1 = READ/WRITE DMA QUEUED commands supported Bit 4: 1 = Power-up in Standby feature set supported Bit 3: 1 = Security feature set supported Bit 2: 1 = SMART error log supported Bit 1: 1 = SMART self-test supported Bit 0: 1 = SMART feature set supported

**Table 5.32 DEVICE CONFIGURATION IDENTIFY data structure (2/2)**

Word	Value	Content
8	X '0015'	Serial-ATA command set/function → Reflected in IDENTIFY information "Word 76 to 79". Bits 15-5: Reserved Bit 4: 1 = Software Settings Preservation supported Bit 3: 1 = Asynchronous Notification supported Bit 2: 1 = Interface power management supported Bit 1: 1 = Non-zero buffer offsets in DMA Setup FIS supported Bit 0: 1 = Native command queuing supported
9	X '0000'	Reserved for Serial-ATA
10 to 20	X '0000'	Reserved
21	X '2000' (X '2800')	Bits 15-14: Reserved Bit 13: Write uncorrectable is supported. Bit 12: Reserved Bit 11: Freefall Control feature set is supported. *1 Bits 10-0: Reserved
22 to 254	X '0000'	Reserved
255	X 'xxA5'	Bits 15-8: Check sum code (This is obtained by calculating the sum of all upper bytes and lower bytes in WORD 0 to 256 and the byte consisting of bits 7 to 0 in WORD 255, and then calculating the two's complement of the lowest byte of that sum.) Bits 7-0:

\*1: Optional

**(18) READ MULTIPLE (X 'C4')**

The READ MULTIPLE command performs the same tasks as the READ SECTOR(S) command except that this command sends the PIO Setup FIS before sending data blocks of multiple sectors. The PIO Setup FIS is sent only before the first data block is transferred, and it is not sent before any subsequent transfer of sector blocks.

The number of sectors per block is defined by a successful SET MULTIPLE MODE Command. The SET MULTIPLE MODE command should be executed prior to the READ MULTIPLE command.

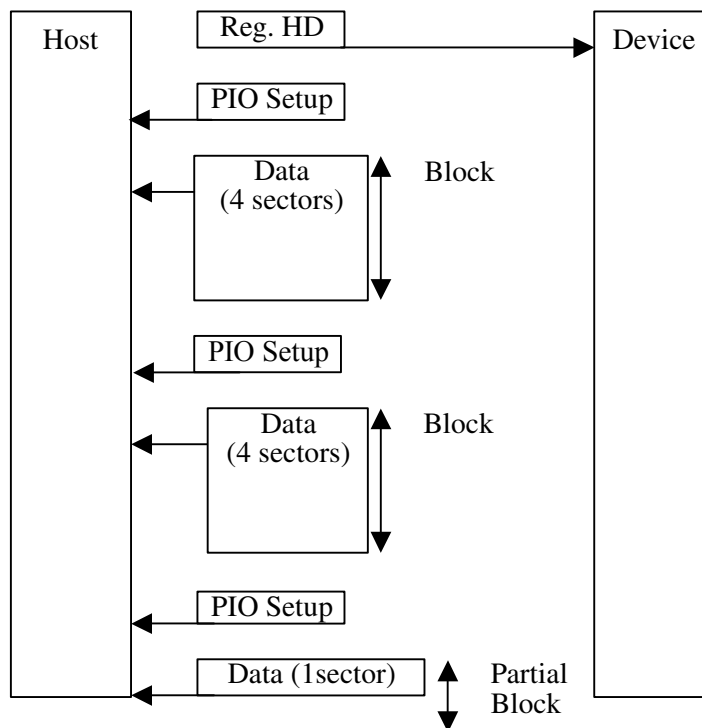
If the number of requested sectors is not divided evenly (having the same number of sectors [block count]), as many full blocks as possible are transferred, then a final partial block is transferred. The number of sectors in the partial block to be transferred is  $n$  where  $n = \text{remainder of ("number of sectors"/"block count")}$ .

If the READ MULTIPLE command is issued when the READ MULTIPLE command is disabled, the device rejects the READ MULTIPLE command with an ABORTED COMMAND error.

If an uncorrectable disk read error occurs, the read operation stops at the sector where the error occurred (even if the read operation has not reached the end of the block). At this time, the number of sectors that have not been transferred (including the error sector), and either the cylinder, head, and sector addresses of the error sector (CHS mode) or the logical block address of the error sector (LBA mode) are set in the Shadow Block Register.

Figure 5.12 shows an example of the execution of the READ MULTIPLE command.

- Block count specified by SET MULTIPLE MODE command = 4 (number of sectors in a block)
- READ MULTIPLE command specifies;  
Number of requested sectors = 9 (Sector Count register = 9)



**Figure 5.12 Execution example of READ MULTIPLE command**

- Error reporting conditions
  - (1) A specified address exceeds the range where read operations are allowed (ST = 51h, ER = 10h).
  - (2) The range where read operations are allowed will be exceeded by an address during a read operation (ST = 51h, ER = 10h).
  - (3) An uncorrectable disk read error occurred (ST = 51h, ER = 40h).
  - (4) The sync byte indicating the beginning of a sector was not found (ST = 51h, ER = 01h).
  - (5) The READ MULTIPLE command is disabled (ST = 51h, ER = 04h).
  - (6) A SATA communication error occurred (ST = 51h, ER = 0Ch).
  - (7) An error other than the above errors occurred (ST = 51h, ER = 04h).



At command issuance (Shadow Block Registers setting contents)					
CM	1	1	0	0	0 1 0 0
DH	x	L	x	x	HD No. / LBA
CH	Start cylinder No. [MSB] / LBA				
CL	Start cylinder No. [LSB] / LBA				
SN	Start sector No. / LBA [LSB]				
SC	Transfer sector count				
FR	xx				

At command completion (Shadow Block Registers contents to be read)					
ST	Status information				
DH	x	L	x	x	HD No. / LBA
CH	End cylinder No. [MSB] / LBA				
CL	End cylinder No. [LSB] / LBA				
SN	End sector No. / LBA [LSB]				
SC	(*1)				
ER	Error information				

- \*1 If the command is completed normally, the number of remaining sectors is set in this field.  
If the command is terminated because of an error, the number of sectors for which data has not been transferred is set in the field.

## (19) WRITE MULTIPLE (X 'C5')

The WRITE MULTIPLE command performs the same tasks as the WRITE SECTOR(S) command except that this command sends the PIO Setup FIS before sending data blocks of multiple sectors. The PIO Setup FIS is sent only before the first data block is transferred, and it is not sent before any subsequent transfer of sector blocks.

The number of sectors per block is defined by a successful SET MULTIPLE MODE command. The SET MULTIPLE MODE command should be executed prior to the WRITE MULTIPLE command.

If the number of requested sectors is not divided evenly (having the same number of sectors [block count]), as many full blocks as possible are transferred, then a final partial block is transferred. The number of sectors in the partial block to be transferred is  $n$  where  $n = \text{remainder of ("number of sectors"/"block count")}$ .

If the WRITE MULTIPLE command is issued before the SET MULTIPLE MODE command is executed or when WRITE MULTIPLE command is disabled, the device rejects the WRITE MULTIPLE command with an ABORTED COMMAND error.

A disk write error that occurs during execution of the WRITE MULTIPLE command will be reported after a disk write operation has been attempted for the transferred blocks and partial block. The write operation stops at the sector where the error occurred (even if the write operation has not reached the end of the block). At this time, the number of remaining sectors (the error sector and subsequent sectors) and either cylinder, head, and sector addresses of the error sector (CHS mode) or the logical block address of the error sector (LBA mode) are set in the Shadow Block Register.

- Error reporting conditions
  - (1) A specified address exceeds the range where write operations are allowed (after a transfer of dummy data, ST = 51h, ER = 10h).
  - (2) The range where write operations are allowed will be exceeded by an address during a write operation (after a transfer of dummy data, ST = 51h, ER = 10h).
  - (3) A write fault was detected when the write cache was disabled (ST = 71h, ER = 10h).
  - (4) While the write cache is enabled, if the status indicating a completed transfer (STS = 50h) is returned and a data write operation failed because a write fault was detected during the data write operation, Abort will be returned for all subsequent ATA commands (ST = 71h, ER = 04h). This state is cleared the next time that the device is turned on.
  - (5) The WRITE MULTIPLE command is disabled (ST = 51h, ER = 04h).
  - (6) A SATA communication error occurred (ST = 51h, ER = 14h).
  - (7) An error other than the above errors occurred (ST = 51h, ER = 04h).

At command issuance (Shadow Block Registers setting contents)					
CM	1	1	0	0	0 1 0 1
DH	x	L	x	x	HD No./LBA
CH	Start cylinder No. [MSB] / LBA				
CL	Start cylinder No. [LSB] / LBA				
SN	Start sector No. / LBA [LSB]				
SC	Transfer sector count				
FR	xx				

(R: Retry)

At command completion (Shadow Block Registers contents to be read)					
ST	Status information				
DH	x	L	x	x	HD No./LBA
CH	Start cylinder No. [MSB] / LBA				
CL	Start cylinder No. [LSB] / LBA				
SN	Start sector No. / LBA [LSB]				
SC	00 (*1)				
ER	Error information				

\*1 If the command was terminated because of an error, the number of sectors for which data has not been written is set in this field.

## (20) SET MULTIPLE MODE (X 'C6')

This command enables the device to perform the READ MULTIPLE and WRITE MULTIPLE commands. The block count (number of sectors in a block) for these commands is also specified by the SET MULTIPLE MODE command.

The number of sectors per block is written into the Sector Count field. The IDD supports block sizes of 1, 2, 4, 8, and 16 sectors.

Upon receipt of this command, the device checks the contents of the Sector Count field. If the contents of the Sector Count field is valid and is a supported block count, the value is stored for all subsequent READ MULTIPLE and WRITE MULTIPLE commands. Execution of these commands is then enabled. If the value of the Sector Count register is not a supported block count, an ABORTED COMMAND error is posted and the READ MULTIPLE and WRITE MULTIPLE commands are disabled.

If the contents of the Sector Count field are 0, when the SET MULTIPLE MODE command is issued, the READ MULTIPLE and WRITE MULTIPLE commands are disabled.

When the SET MULTIPLE MODE command operation is completed, the device reports the status to the host.

In the default mode that is entered at power-on, the READ MULTIPLE and WRITE MULTIPLE commands are enabled (block count = 10h).

- Error reporting conditions
  - (1) A value other than 00h, 01h, 02h, 04h, 08h, or 10h is specified in the SC field (ST = 51h, ER = 04h).
  - (2) A SATA communication error occurred (ST = 51h, ER = 14h).

At command issuance (Shadow Block Registers setting contents)								
CM	1	1	0	0	0	1	1	0
DH	x	x	x	x	xx			
CH	xx							
CL	xx							
SN	xx							
SC	Sector count/block							
FR	xx							

At command completion (Shadow Block Registers contents to be read)					
ST	Status information				
DH	x	x	x	x	xx
CH	xx				
CL	xx				
SN	xx				
SC	Sector count/block				
ER	Error information				

**(21) READ DMA (X 'C8' or X 'C9')**

The READ DMA command reads data from sectors, starting from the sectors specified in the Device/Head, Cylinder High, Cylinder Low, and Sector Number fields and continuing for as many sectors as specified in the Sector Count field. A value ranging from 1 to 256 can be specified for the number of sectors. In order to specify 256, "00" must be set in the Sector Count field. For the protocol concerning data transfers, see Section 5.4.4.

When the command is completed, either cylinder, head, and sector addresses (CHS mode) or the logical block address (LBA mode) of the last sector is stored in the Shadow Block Register.

If an error such as an uncorrectable disk read error is detected during execution of the READ DMA command and continued operation not possible, the data transfer stops after all data, including the data of the sector where the error was detected, is transferred. The device notifies the host of the status by sending the RegDH FIS. At this time, the number of remaining sectors including the sector where the error was detected, and either cylinder, head, and sector addresses (CHS mode) or the logical block address (LBA mode) of the sector where the error was detected are stored in the Shadow Block Register.

The host system can select the DMA transfer mode by using the SET FEATURES command, however, the transfer speed does not change.

- Multiword DMA transfer mode 0 to 2
- Ultra DMA transfer mode 0 to 5
  
- Error reporting conditions
  - (1) A specified address exceeds the range where read operations are allowed (ST = 51h, ER = 10h).
  - (2) The range where read operations are allowed will be exceeded by an address during a read operation (ST = 51h, ER = 10h).
  - (3) An uncorrectable disk read error occurred (ST = 51h, ER = 40h).
  - (4) The sync byte indicating the beginning of a sector was not found (ST = 51h, ER = 01h).
  - (5) A SATA communication error occurred (ST = 51h, ER = 0Ch).
  - (6) A Host Buffer CRC error occurred (ST = 51h, ER = 84h).
  - (7) An error other than the above errors occurred (ST = 51h, ER = 04h).

At command issuance (Shadow Block Registers setting contents)								
CM	1	1	0	0	1	0	0	R
DH	x	L	x	x	HD No./LBA			
CH	Start cylinder No. [MSB] / LBA							
CL	Start cylinder No. [LSB] / LBA							
SN	Start sector No. / LBA [LSB]							
SC	Transfer sector count							
FR	xx							

At command completion (Shadow Block Registers contents to be read)								
ST	Status information							
DH	x	L	x	x	HD No./LBA			
CH	Start cylinder No. [MSB] / LBA							
CL	Start cylinder No. [LSB] / LBA							
SN	Start sector No. / LBA [LSB]							
SC	00 (*1)							
ER	Error information							

\*1 If the command is terminated due to an error, the remaining number of sectors of which data was not transferred is set in this register.

**(22) WRITE DMA (X 'CA' or X 'CB')**

The WRITE DMA command writes data to sectors starting from the sectors specified in the Device/Head, Cylinder High, Cylinder Low, and Sector Number fields and continuing for as many sectors as specified in the Sector Count field. A value ranging from 1 to 256 can be specified for the number of the sectors. In order to specify 256, "00" must be set in the Sector Count Field. For the protocol concerning data transfers, see Section 5.4.5.

When the command is completed, cylinder, head, and sector addresses (CHS mode) of the last sector to which data was written are stored in the Shadow Block Register.

If a disk write error is detected during execution of the WRITE DMA command and continued operation is not possible, command processing is terminated after all data, including the data of the sector where the error was detected, is transferred. The device notifies the host of the status by sending the RegDH FIS. At this time, the number of remaining sectors including the sector where the error was detected, and either cylinder, head, and sector addresses (CHS mode) or the logical block address (LBA mode) of the sector where the error was detected are stored in the Shadow Block Register.

A host system can select the following transfer mode using the SET FEATURES command, however, the transfer speed does not change.

- Multiword DMA transfer mode 0 to 2
- Ultra DMA transfer mode 0 to 5
  
- Error reporting conditions
  - (1) A specified address exceeds the range where write operations are allowed (after a transfer of dummy data, ST = 51h, ER = 10h).
  - (2) The range where write operations are allowed will be exceeded by an address during a write operation (after a transfer of dummy data, ST = 51h, ER = 10h).
  - (3) A write fault was detected when the write cache was disabled (ST = 71h, ER = 10h).
  - (4) While the write cache is enabled, if the status indicating a completed transfer (STS = 50h) is returned and a data write operation failed because a write fault was detected during the data write operation, Abort will be returned for all subsequent ATA commands (ST = 71h, ER = 04h). This state is cleared the next time that the device is turned on.
  - (5) A SATA communication error occurred (ST = 51h, ER = 84h).
  - (6) An error other than the above errors occurred (ST = 51h, ER = 04h).



At command issuance (Shadow Block Registers setting contents)								
CM	1	1	0	0	1	0	1	R
DH	x	L	x	x	HD No./LBA			
CH	Start cylinder No. [MSB] / LBA							
CL	Start cylinder No. [LSB] / LBA							
SN	Start sector No. / LBA [LSB]							
SC	Transfer sector count							
FR	xx							

At command completion (Shadow Block Registers contents to be read)								
ST	Status information							
DH	x	L	x	x	HD No./LBA			
CH	Start cylinder No. [MSB] / LBA							
CL	Start cylinder No. [LSB] / LBA							
SN	Start sector No. / LBA [LSB]							
SC	00 (*1)							
ER	Error information							

\*1 If the command was terminated because of an error, the number of sectors for which data has not been written is set in this field.

## (23) READ BUFFER (X 'E4')

The host system can read the current contents of the data buffer of the device by issuing this command.

Upon receipt of this command, the device transfers the PIO Setup. After that, the host system can read up to 512 bytes of data from the buffer.

- Error reporting conditions

(1) A SATA communication error occurred (ST = 51h, ER = 0Ch).

At command issuance (Shadow Block Registers setting contents)								
CM	1	1	1	0	0	1	0	0
DH	x	x	x	x	xx			
CH	xx							
CL	xx							
SN	xx							
SC	xx							
FR	xx							

At command completion (Shadow Block Registers contents to be read)								
ST	Status information							
DH	x	x	x	x	xx			
CH	xx							
CL	xx							
SN	xx							
SC	xx							
ER	Error information							

## (24) FLUSH CACHE (X 'E7')

This command is used to write every write cache data stored by the device into the medium. When the device completes all the data writing, it reports the status to the host system. The device performs every error recovery so that the data are read correctly.

When executing this command, the writing of the data may take several seconds if much data are to be written.

In case a non-recoverable disk write error has occurred while the data is being read, the error generation address is put into the shadow block register before ending the command. This error sector is deleted from the write cache data.

- Error reporting conditions

(1) A SATA communication error occurred (ST = 51h, ER = 14h).

At command issuance (Shadow Block Registers setting contents)								
CM	1	1	1	0	0	1	1	1
DH	x	x	x	x	xx			
CH					xx			
CL					xx			
SN					xx			
SC					xx			
FR					xx			

At command completion (Shadow Block Registers contents to be read)								
ST	Status information							
DH	x	x	x	x	xx			
CH					xx			
CL					xx			
SN					xx			
SC					xx			
ER	Error information							

## (25) WRITE BUFFER (X 'E8')

The host system can overwrite the contents of the data buffer of the device with a desired data pattern by issuing this command. Upon receipt of this command, the device transfers the PIO Setup. After that, 512 bytes of data are transferred from the host and the device writes the data to the buffer, then reports the status.

- Error reporting conditions

(1) A SATA communication error occurred (ST = 51h, ER = 14h).

At command issuance (Shadow Block Registers setting contents)								
CM	1	1	1	0	1	0	0	0
DH	x	x	x	x	xx			
CH	xx							
CL	xx							
SN	xx							
SC	xx							
FR	xx							

At command completion (Shadow Block Registers contents to be read)								
ST	Status information							
DH	x	x	x	x	xx			
CH	xx							
CL	xx							
SN	xx							
SC	xx							
ER	Error information							

## (26) IDENTIFY DEVICE (X 'EC')

The host system issues the IDENTIFY DEVICE command to read parameter information from the device. When it receives the command, the device prepares the parameter information to be sent to the host. Next, the device sends the PIO Setup FIS to the host, then sends the parameter information including a 512-byte data. Table 5.33 shows the values of the parameter words and the meaning in the buffer.

- Error reporting conditions

(1) A SATA communication error occurred (ST = 51h, ER = 0Ch).

At command issuance (Shadow Block Registers setting contents)								
CM	1	1	1	0	1	1	0	0
DH	x	x	x	x	xx			
CH	xx							
CL	xx							
SN	xx							
SC	xx							
FR	xx							

At command completion (Shadow Block Registers contents to be read)								
ST	Status information							
DH	x	x	x	x	xx			
CH	xx							
CL	xx							
SN	xx							
SC	xx							
ER	Error information							

## (27) IDENTIFY DEVICE DMA (X 'EE')

When this command is not used to transfer data to the host in DMA mode, this command functions in the same way as the Identify Device command.

- Error reporting conditions

(1) A SATA communication error occurred (ST = 51h, ER = 84h).

At command issuance (Shadow Block Registers setting contents)								
CM	1	1	1	0	1	1	1	0
DH	x	x	x	x	xx			
CH	xx							
CL	xx							
SN	xx							
SC	xx							
FR	xx							

At command completion (Shadow Block Registers contents to be read)								
ST	Status information							
DH	x	x	x	x	xx			
CH	xx							
CL	xx							
SN	xx							
SC	xx							
ER	Error information							

**Table 5.33 Information to be read by IDENTIFY DEVICE command (1/3)**

Word	Value	Description
0	X '045A'	General Configuration *1
1	X '3FFF'	Number of Logical cylinders *2
2	X 'C837'	Detailed Configuration *3
3	X '0010'	Number of Logical Heads *2
4-5	X '0000'	Undefined
6	X '003F'	Number of Logical sectors per Logical track *2
7-9	X '0000'	Undefined
10-19	Set by a device	Serial number (ASCII code, 20 characters, right)
20	X '0003'	Undefined
21	X 'xxxx'	Buffer Size (1 LSB: 512 Bytes) ex. Buffer Size=8MBytes: X '4000'
22	X '0000'	Reserved
23-26	–	Firmware revision (ASCII code, 8 characters, left)
27-46	Set by a device	Model name (ASCII code, 40 characters, left)
47	X '8010'	Maximum number of sectors per block on READ/WRITE MULTIPLE command
48	X '0000'	Reserved
49	X '2F00'	Capabilities *4
50	X '4000'	Capabilities *5
51	X '0200'	PIO data transfer mode *6
52	X '0200'	Reserved
53	X '0007'	Enable/disable setting of words 54-58 and 64-70, 88 *7
54	(Variable)	Number of current Cylinders
55	(Variable)	Number of current Head
56	(Variable)	Number of current sectors per track
57-58	(Variable)	Total number of current sectors
59	*8	Transfer sector count currently set by READ/WRITE MULTIPLE command *8
60-61	*2	Total number of user addressable sectors (28bit LBA mode only)

**Table 5.33 Information to be read by IDENTIFY DEVICE command (2/3)**

Word	Value	Description
62	X '0000'	Reserved
63	X 'xx07'	Multiword DMA transfer mode *9
64	X '0003'	Advance PIO transfer mode support status *10
65	X '0078'	Minimum multiword DMA transfer cycle time per word: 120 [ns]
66	X '0078'	Manufacturer's recommended DMA transfer cycle time: 120 [ns]
67	X '0078'	Minimum PIO transfer cycle time without IORDY flow control: 120 [ns]
68	X '0078'	Minimum PIO transfer cycle time with IORDY flow control: 120 [ns]
69-74	X '0000'	Reserved
75	X '001F'	Queue depth *11
76	X '0702'	Serial ATA capabilities *12
77	X '0000'	Reserved for Serial ATA
78	X '004C'	Support of Serial ATA function *13
79	X '00xx'	Valid of Serial ATA function *14
80	X '01F8'	Major version number: ATA8-ACS *15
81	X '0042'	Minor version number: ATA8-ACS Revision 3f
82	*16	Support of command sets *16
83	*17	Support of command sets *17
84	*18	Support of command sets/function *18
85	*19	Valid of command sets/function *19
86	*20	Valid of command sets/function *20
87	*21	Default of command sets/function *21
88	X 'xx3F'	Ultra DMA transfer mode *22
89	Set by a device	Security Erase Unit execution time (1 LSB: 2 min.) *23
90	X '0000'	Enhanced Security Erase Unit execution time (1 LSB: 2 min.)
91	(Variable)	Advance power management level
92	(Variable)	Master password revision
93	X '0000'	COMRESET Result
94	(Variable)	Acoustic Management level *24
95-99	X '0000'	Reserved
100-103	X 'xx'	Total number of sectors accessible by users in the 48-bit LBA mode *2 *25



**Table 5.33 Information to be read by IDENTIFY DEVICE command (3/3)**

Word	Value	Description
104-105	X '00'	Reserved
106	*26	Physical sector size per logical sector
107	X '0000'	Reserved
108	X 'xxxx'	15:12 NAA_ID(3:0) 05h 11:0 IEEE Company ID (23:12) 00h
109	X 'xxxx'	15:4 IEEE Company ID (11:0) 0Eh 3:0 Unique ID (35:32)
110	X 'xxxx'	15:0 Unique ID (31:16)
111	X 'xxxx'	15:0 Unique ID (15:0)
112-116	X '0000'	Reserved
117-118	X '0000'	Number of words for logical sectors
119	X '400x'	Features Implemented Word (Supported Settings) *27
120	X '400x'	Features Implemented Word (Enabled Settings) *28
121-127	X '0000'	Reserved
128	X '0xxx'	Security status *29
129-159	X 'xxxx'	Undefined
160-205	X '0000'	Reserved
206	X '003D'	SCT Command sets supported *30
207-209	X '0000'	Reserved
210-211	X 'xxxx'	Write Read Verify Sector Count Mode 3 Only *31
212-213	X 'xxxx'	Write Read Verify Sector Count Mode 2 Only *32
214-219	X '0000'	Reserved
220	X '00xx'	Write Read Verify Mode *33
221	X '0000'	Reserved
222	X '100F'	Transport major version number
223	X '0021'	Transport minor version number
224-233	X '0000'	Reserved
234	X '0001'	Minimum number of 512 byte units per DOWNLOAD MICROCODE command mode 3 *34
235	X '0x00'	Maximum number of 512 byte units per DOWNLOAD MICROCODE command mode3 *35
236-254	X '0000'	Reserved
255	X 'xxA5'	Check sum (The 2 complement of the lower order byte resulting from summing bits 7 to 0 of word 0 to 254 and word 255, in byte units.)

- \*1 Word 0: General configuration
- Bit 15: ATA device = 0, ATAPI device = 1
- Bits 14-8: Undefined
- Bit 7: Removable disk drive = 0
- Bit 6: Fixed drive = 1
- Bits 5-3: Undefined
- Bit 2: IDENTIFY DEVICE Valid = 0
- Bits 1-0: Reserved

- \*2 Word 1, 3, 6, 60-61, 100-103

Word	MHY2200BS	MHY2160BS	MHY2120BS
1	X '3FFF'	X '3FFF'	X '3FFF'
3	X '10'	X '10'	X '10'
6	X '3F'	X '3F'	X '3F'
60-61	X 'FFFFFF'	X 'FFFFFF'	X 'DE94BB0'
100-103	X '1749F1B0'	X '12A19EB0'	X 'DE94BB0'

Word	MHY2100BS	MHY2080BS	MHY2060BS	MHY2040BS
1	X '3FFF'	X '3FFF'	X '3FFF'	X '3FFF'
3	X '10'	X '10'	X '10'	X '10'
6	X '3F'	X '3F'	X '3F'	X '3F'
60-61	X 'BA52230'	X '950F8B0'	X '6FC7C80'	X '4A8B56F'
100-103	X 'BA52230'	X '950F8B0'	X '6FC7C80'	X '4A8B56F'

- \*3 Status of the Word 2 Identify information is shown as follows:

- 37C8h The device requires the SET FEATURES sub-command after the power-on sequence in order to spin-up. The Identify information is incomplete.
- 8C73h The device requires the SET FEATURES sub-command after the power-on sequence in order to spin-up. The Identify information is incomplete.
- C837h The device requires the SET FEATURES sub-command after the power-on sequence in order to spin-up. The Identify information is incomplete.
- Others Reserved

- 
- \*4 Word 49: Capabilities
- Bits 15-14: Reserved
  - Bit 13: Standby timer value. ATA spec is '1.'
  - Bit 12: Reserved
  - Bit 11: '1' = IORDY supported
  - Bit 10: '1' = IORDY inhibition supported
  - Bit 9: '1' = DMA supported
  - Bit 8: '1' = LBA supported
  - Bits 7-0: Undefined
- \*5 Word 50: Device capability
- Bit 15: 0
  - Bit 14: 1
  - Bit 13 to 1: Reserved
  - Bit 0: Standby timer value '1' = Standby timer value of the device is the smallest value.
- \*6 Word 51: PIO data transfer mode
- Bits 15-8: PIO data transfer mode X '02' = PIO mode 2 supported
  - Bits 7-0: Undefined
- \*7 Word 53: Enables/disables setting of word 54-58 and 64-70
- Bits 15-3: Reserved
  - Bit 2: '1' = Enables the word 88
  - Bit 1: '1' = Enables the word 64-70
  - Bit 0: '1' = Enables the word 54-58
- \*8 Word 59: Transfer sector count currently set by READ/WRITE MULTIPLE command
- Bits 15-9: Reserved
  - Bit 8: '1' = Enables the multiple sector transfer
  - Bits 7-0: Transfer sector count currently set by READ/WRITE MULTIPLE command without interrupt supports 1, 2, 4, 8 and 16 sectors.

\*9 Word 63: Multiword DMA transfer mode

Bits 15-11: Reserved

Bit 10: '1' = multiword DMA mode 2 is selected.

Bit 9: '1' = multiword DMA mode 1 is selected.

Bit 8: '1' = multiword DMA mode 0 is selected.

Bits 7-3: Reserved

Bit 2: '1' = Multiword DMA mode 2, 1, and 0 supported (Bit 1 = 0 = '1')

Bit 1: '1' = Multiword DMA mode 1, and 0 supported (Bit 0 = '1')

Bit 0: '1' = Mode 0

\*10 Word 64: Advance PIO transfer mode support status

Bits 15-8: Reserved

Bits 7-0: Advance PIO transfer mode

Bit 1: '1' = Mode 4 supported

Bit 0: '1' = Mode 3 supported

\*11 WORD 75: X '001F' (0 to 31:32)

\*12 WORD 76

Bits 15-11: Reserved

Bit 10: '1' = Supports the PHY event counter.

Bit 9: '1' = Supports the Power Management initiation request from the host system.

Bit 8: '1' = Supports the Native command queueing.

Bits 7-4: Reserved

Bit 3: Reserved for SATA

Bit 2: '1' = Supports the Gen-2 signaling speed (3.0Gbps)

Bit 1: '1' = Supports the Gen-1 signaling speed (1.5Gbps)

Bit 0: Reserved

---

**\*13 WORD 78**

Bits 15-7: Reserved

Bit 6: '1' = Supports the software settings preservation.

Bit 5: Reserved

Bit 4: '1' = Supports the in-order data delivery.

Bit 3: '1' = Supports the Power Management initiation from the device to the host system.

Bit 2: '1' = Supports the DMA Setup FIS Auto-Activate optimization.

Bit 1: '1' = Supports the non-zero buffer offset in the DMA Setup FIS.

Bit 0: Reserved

**\*14 WORD 79**

Bits 15-7: Reserved

Bit 6: '1' = Enables the software settings preservation.

Bit 5: Reserved

Bit 4: '1' = Enables the in-order data delivery.

Bit 3: '1' = Enables the Power Management initiation function from

Bit 2: '1' = Enables the Auto-Activate optimization function in the DMA Setup FIS.

Bit 1: '1' = Enables the non-zero buffer offset function in the DMA Setup FIS.

Bit 0: Reserved

**\*15 WORD 80**

Bits 15-9: Reserved

Bit 8: '1' = ATA-8 ACS supported

Bit 7: '1' = ATA/ATAPI-7 supported

Bit 6: '1' = ATA/ATAPI-6 supported

Bit 5: '1' = ATA/ATAPI-5 supported

Bit 4: '1' = ATA/ATAPI-4 supported

Bit 3: '1' = ATA-3 supported

Bit 2: '1' = ATA-2 supported

Bits 1-0: Undefined

\*16 WORD 82

- Bit 15: Undefined
- Bit 14: '1' = Supports the NOP command.
- Bit 13: '1' = Supports the READ BUFFER command.
- Bit 12: '1' = Supports the WRITE BUFFER command.
- Bit 11: Undefined
- Bit 10: '1' = Supports the Host Protected Area feature set.
- Bit 9: '1' = Supports the DEVICE RESET command.
- Bit 8: '1' = Supports the SERVICE interrupt.
- Bit 7: '1' = Supports the release interrupt.
- Bit 6: '1' = Supports the read cache function.
- Bit 5: '1' = Supports the write cache function.
- Bit 4: '1' = Supports the PACKET command feature set.
- Bit 3: '1' = Supports the power management feature set.
- Bit 2: '1' = Supports the Removable Media feature set.
- Bit 1: '1' = Supports the Security Mode feature set.
- Bit 0: '1' = Supports the SMART feature set.

\*17 WORD 83

- Bit 15: 0
- Bit 14: 1
- Bit 13: '1' = Supports the FLUSH CACHE EXT command.
- Bit 12: '1' = Supports the FLUSH CACHE command.
- Bit 11: '1' = Supports the Device Configuration Overlay feature set.
- Bit 10: '1' = 48 bit LBA feature set.
- Bit 9: '1' = Automatic Acoustic Management feature set.
- Bit 8: '1' = Supports the SET MAX Security extending command.
- Bit 7: Reserved
- Bit 6: '1' = When the power is turned on, spin is started by the SET FEATURES sub-command.
- Bit 5: '1' = Supports the Power-Up In Standby set.

- Bit 4: '1' = Supports the Removable Media Status Notification feature set.
- Bit 3: '1' = Supports the Advanced Power Management feature set.
- Bit 2: '1' = Supports the CFA (Compact Flash Association) feature set.
- Bit 1: '1' = Supports the READ/WRITE DMA QUEUED command.
- Bit 0: '1' = Supports the DOWNLOAD MICROCODE command.

## \*18 WORD 84

- Bit 15: 0 The device always returns the fixed value indicated on the left.
- Bit 14: 1 The device always returns the fixed value indicated on the left.
- Bit 13: '1' = Supports the Unload Immediate command.
- Bits 12-9: Reserved
- Bit 8: '1' = Supports the World wide name.
- Bit 7: '1' = Supports the WRITE DMA QUEUED FUA EXT command.
- Bit 6: '1' = Supports the WRITE DMA FUA EXT and WRITE MULTIPLE FUA EXT commands.
- Bit 5: '1' = Supports the General Purpose Logging feature.
- Bits 4-2: Reserved
- Bit 1: '1' = Supports the SMART SELF-TEST.
- Bit 0: '1' = Supports the SMART Error Logging.

## \*19 WORD 85

- Bit 15: Undefined.
- Bit 14: '1' = Supports the NOP command.
- Bit 13: '1' = Supports the READ BUFFER command.
- Bit 12: '1' = Supports the WRITE BUFFER command.
- Bit 11: Undefined.
- Bit 10: '1' = Host Protected Area has been established.
- Bit 9: '1' = Supports the DEVICE RESET command.
- Bit 8: '1' = Enables the SERVICE interrupt. From the SET FEATURES command
- Bit 7: '1' = Enables the release interrupt. From the SET FEATURES command

- Bit 6: '1' = Enables the read cache function. From the SET FEATURES command
- Bit 5: '1' = Enables the write cache function.
- Bit 4: '1' = Enables the P PACKET command set.
- Bit 3: '1' = Supports the Power Management function.
- Bit 2: '1' = Supports the Removable Media function.
- Bit 1: '1' = From the SECURITY SET PASSWORD command
- Bit 0: '1' = From the SMART ENABLE OPERATION command

\*20 WORD 86

- Bit 15: '1' = The values in WORD119-120 are valid.
- Bit 14: Reserved
- Bits 13-10: Same definition as WORD 83.
- Bit 9: '1' = Enables the Automatic Acoustic Management function from the SET FEATURES command
- Bit 8: '1' = From the SET MAX SET PASSWORD command
- Bits 7-6: Same definition as WORD 83.
- Bit 5: '1' = Enables the Power-Up In Standby function.
- Bit 4: '1' = Enables the Removable Media Status Notification function.
- Bit 3: '1' = Enables the Advanced Power Management function.
- Bits 2-0: Same definition as WORD 83.

\*21 WORD 87

- Bit 15: = 0 The device always returns the fixed value indicated on the left.
- Bit 14: = 1 The device always returns the fixed value indicated on the left.
- Bits 13-0: Same definition as WORD 84.

\*22 WORD 88

- Bit 15-8: Currently used Ultra DMA transfer mode
- Bit 14: '1' = Mode 6 is selected.
- Bit 13: '1' = Mode 5 is selected.
- Bit 12: '1' = Mode 4 is selected.
- Bit 11: '1' = Mode 3 is selected.



- Bit 10: '1' = Mode 2 is selected.  
 Bit 9: '1' = Mode 1 is selected.  
 Bit 8: '1' = Mode 0 is selected.  
 Bits 7-0: Supportable Ultra DMA transfer mode  
 Bit 6: '1' = Supports the Mode 6  
 Bit 5: '1' = Supports the Mode 5  
 Bit 4: '1' = Supports the Mode 4  
 Bit 3: '1' = Supports the Mode 3  
 Bit 2: '1' = Supports the Mode 2  
 Bit 1: '1' = Supports the Mode 1  
 Bit 0: '1' = Supports the Mode 0

## \*23 WORD 89

Execution time of SECURITY ERASE UNIT command

Value	Time
0	Undefined
1-254	Display Value × 2 minutes
255	More than 508 minutes

## \*24 WORD 94

Bits 15-8: X 'FE' Recommended acoustic management value.

Bits 7-0: X 'XX' Current set value.

FE-C0: Performance mode

BF-80: Acoustic mode

00: Acoustic management is unused it. (It is same as "FE-CO")

## \*25 WORD 100-103

Number of total sectors with accessible user in 48bit LBA command

\*26 WORD 106

- Bit 15: 0 The device always returns the fixed value indicated on the left.
- Bit 14: 1 The device always returns the fixed value indicated on the left.
- Bit 13: '1' = Each device has several logical sectors per physical sector.
- Bit 12: '1' = Logical sector of the device is greater than 256 Words.
- Bits 11-4: Reserved
- Bits 3-0: Logical sector size per physical sector

\*27 WORD 119

- Bit 15: 0
- Bit 14: 1
- Bits 13-5: 0
- Bit 4: '1' = Segmented feature for DOWNLOAD MICROCODE is supported
- Bit 3: '1' = READ and WRITE DMA EXT GPL optional commands are supported
- Bit 2: '1' = WRITE UNCORRECTABLE is supported.
- Bit 1: '1' = Write-Read-Verify feature set is supported.
- Bit 0: '1' = Clearing DRQ bit to zero when error bit is set is supported.  
(No Dummy transferring function is supported.)

\*28 WORD 120

- Bit 15: 0
- Bit 14: 1
- Bits 13-5: 0
- Bit 4: '1' = Segmented feature for DOWNLOAD MICROCODE is supported.
- Bit 3: '1' = READ and WRITE DMA EXT GPL optional commands are supported.
- Bit 2: '1' = WRITE UNCORRECTABLE is supported.
- Bit 1: '1' = Write-Read-Verify feature set is enabled.
- Bit 0: '1' = Clearing DRQ bit to zero when error bit is set is enabled.  
The drive doesn't execute the dummy transferring.

---

**\*29 WORD 128**

Bits 15-9: Reserved

Bit 8: Security level. 0: High, 1: Maximum

Bits 7-6: Reserved

Bit 5: '1' = Enhanced security erase supported

Bit 4: '1' = Security counter expired

Bit 3: '1' = Security frozen

Bit 2: '1' = Security locked

Bit 1: '1' = Security enabled

Bit 0: '1' = Security supported

**\*30 WORD 206: SCT Command Transport**

Bits 15-6: Reserved

Bit 5: '1' = SCT Data Tables supported.

Bit 4: '1' = SCT Features Control supported.

Bit 3: '1' = SCT Error Recovery Control supported.

Bit 2: '1' = SCT Write Same supported.

Bit 1: '1' = SCT Long Sector Access supported.

Bit 0: '1' = SCT Command Transport supported

**\*31 WORD 210-211: Write Read Verify Sector Count Mode 3 Only.**

The number of sectors to be verified

If Write Read Verify features set is enabled. (Mode 3)

Value: 400h – 40000h sectors

**\*32 WORD 212-213: Write Read Verify Sector Count Mode 2 Only.**

The number of sectors to be verified

If Write Read Verify features set is enabled. (Mode 2)

Value: 10000h sectors

\*33 WORD 212-213: Write Read Verify mode (Optional)

Verify mode display when Write Read Verify function is set by SET FEATURES command.

Bits 15-8: Reserved

Bits 7-0: Verify mode display Value: 00h-03h

\*34 WORD 234: Minimum number of 512Byte units per DOWNLOAD MICROCODE command mode 3

When the command for which mode 3(FR reg = 03h) is specified with DOWNLOAD MICROCODE (0x92) is issued, the host is a unit of possible transfer of the minimum transfer sector.

Value: 0001h sector

\*35 WORD 235: Maximum number of 512Byte units per DOWNLOAD MICROCODE command mode3

When the command for which mode 3(FR reg = 03h) is specified with DOWNLOAD

MICROCODE (0x92) is issued, the host is a unit of possible transfer of the maximum transfer sector.

8MByte Buffer drive Value: 0B00h sector

## (28) SET FEATURES (X 'EF')

The host system issues the SET FEATURES command to set parameters in the Features field for the purpose of changing the device features to be executed.

Upon receipt of this command, the device sets the parameters in the Features field, then reports the status to the host system.

If the value in the Features field is not supported or it is invalid, the device posts an ABORTED COMMAND error.

Table 5.34 lists the available values and operational modes that may be set in the Features field.

**Table 5.34 Features field values and settable modes (1/2)**

Features Field	Drive operation mode
X '02'	Enables the write cache function.
X '03'	Set the data transfer mode. *1
X '04'	Enables the automatic reassign. (Note 1)
X '05'	Enables the advanced power management function. *2
X '06'	Enables the Power-Up In Standby function. (Note 1)
X '07'	Spin up the Power-Up In Standby status device. (Note 1)
X '0B'	Enable Write-Read-Verify feature set (Optional) *5
X '10'	Enables the Serial ATA function. *3
X '33'	Undefined (Note 1)
X '42'	Enables the Acoustic management function. *4
X '54'	Undefined (Note 1)
X '55'	Disables the read cache function.
X '5F'	Clearing DRQ bit to zero when error bit is set is enabled. The drive does not execute the dummy transferring. (Note 2)
X '66'	Disables the reverting to power-on default settings after software reset. (Note 1)
X '77'	Undefined (Note 1)
X '81'	Disables the 8-bit data transfer. (Note 1)
X '82'	Disables the write cache function.
X '84'	Enables the automatic shift. (Note 1)
X '85'	Set the advanced power management mode to Mode-0.
X '86'	Disables the Power-Up In Standby function. (Note 1)

**Table 5.34 Features field values and settable modes (2/2)**

Features Field	Drive operation mode
X '88'	Undefined (Note 1)
X '8B'	Disable Write-Read-Verify feature set. *5
X '90'	Disables the Serial ATA function.
X '99'	Undefined (Note 1)
X 'AA'	Enables the read cache function.
X 'BB'	Specifies the transfer of 4-byte ECC for READ LONG and WRITE LONG commands. (Note 1)
X 'C2'	Disables the Acoustic management function.
X 'CC'	Enables the reverting to power-on default settings after software reset. (Note 1)
X 'DF'	Clearing DRQ bit to zero when error bit is set is disabled. The drive executes the dummy transferring. (Note 2)
Note 1: Although there is a response to the command, nothing is done.	
Note 2: Although there is a response to the command and this command reflects on Identify Device information, DRQ bit is always cleared to zero when error is occurred in PIO read command (This drive always doesn't the dummy transferring).	

At power-on, the default mode is set as follows:

Write cache function:	Enabled
Transfer mode:	PIO Mode-4, Multiworld DMA Mode-2
Advanced power management function:	Enabled (Mode-1)
Acoustic management function:	State keeping
Read cache function:	Enabled

At power-on or COMRESET, the default mode of Serial ATA function is set as follows:

DMA Setup FIS Auto-Activate optimization:	Disabled
Device-initiated interface power state Transitions:	Disabled
Software Settings Preservation:	Enabled

- Error reporting conditions

- (1) An undefined code is specified in the FR or SC field (ST = 51h, ER = 04h).
- (2) A SATA communication error occurred (ST = 51h, ER = 14h).

At command issuance (Shadow Block O registers setting contents)								
CM	1	1	1	0	1	1	1	1
DH	x	x	x	x	xx			
CH	xx							
CL	xx							
SN	xx or *5							
SC	xx or *1 to *5							
FR	[See Table 5.6]							

At command completion (Shadow Block Registers contents to be read)								
ST	Status information							
DH	x	x	x	x	xx			
CH	xx							
CL	xx							
SN	xx							
SC	xx							
E	Error information							

## \*1) Data Transfer Mode

The host sets X '03' to the Features field. By issuing this command with setting a value to the Sector Count Field, the transfer mode can be selected. Upper 5 bits of the Sector Count register defines the transfer type and lower 3 bits specifies the binary mode value.

The IDD supports following values in the Sector Count Field value. If other value than below is specified, an ABORTED COMMAND error is posted.

Note: For a serial ATA device, the setting of a data transfer mode is reflected in WORD 63 and 88 in Identify Device information. However, the actual data transfer rate depends on the serial ATA signaling rate in WORD 76 in Identify Device information.

Transfer mode	Sector Count file
• PIO default transfer mode	00000 000 (X '00')
• PIO flow control transfer mode X	00001 000 (X '08': Mode 0)
	00001 001 (X '09': Mode 1)
	00001 010 (X '0A': Mode 2)
	00001 011 (X '0B': Mode 3)
	00001 100 (X '0C': Mode 4)
• Single word DMA Mode X	00010 000 (X '10': Mode 0)
	00010 001 (X '11': Mode 1)
	00010 010 (X '12': Mode 2)
• Multiword DMA transfer mode X	00100 000 (X '20': Mode 0)
	00100 001 (X '21': Mode 1)
	00100 010 (X '22': Mode 2)
• Ultra DMA transfer mode X	01000 000 (X '40': Mode 0)
	01000 001 (X '41': Mode 1)
	01000 010 (X '42': Mode 2)
	01000 011 (X '43': Mode 3)
	01000 100 (X '44': Mode 4)
	01000 101 (X '45': Mode 5)



## \*2) Advanced Power Management (APM)

The host writes the Sector Count field with the desired power management level and executes this command with the Features field X '05', and then Advanced Power Management is enabled.

The drive automatically shifts to power saving mode up to the specified APM level when the drive does not receive any commands for a specific time. The sequence in which the power management level shifts is from Active Idle to Low Power Idle. The Mode-2 level requires the longest shifting time, depending on the APM level settings. The settings of the APM level revert to their default values (Mode-1) when power-on or COMRESET occurs for the drive.

APM Level	Sector Count Field
Mode 0 Active Idle → Low Power Idle	C0h-FEh
Mode 1 Active Idle → Low Power Idle	80h-BFh
Mode 2 Active Idle → Low Power Idle	01h-7Fh
Reserve (State Keep)	00h, FFh

Active Idle: The spindle motor rotates, and the head is loaded on the most inner position on media.

Low Power Idle: The spindle motor rotates, and the head is unloaded.

Standby: The spindle motor stops, and the head is unloaded.

### \*3) Serial ATA Functions

The host can enable and disable the following Serial ATA functions by issuing this command after setting X '10/90' in the Features field and an applicable value in the Sector Count field:

Serial ATA function	Sector Count field
Non-zero buffer offset in DMA Setup FIS	01h (*1)
DMA Setup FIS Auto-Activate optimization	02h (*2)
Device-initiated interface power state Transitions	03h (*3)
Guaranteed In-Order Data Delivery	04h (*1)
Asynchronous Notification	05h (*1)
Software Settings Preservation	06h (*4)

- \*1 The device normally responds to the command but performs no operation.
- \*2 This feature is disabled when power is on. While this function is enabled, the device does not return the DMA Activate FIS for the first data sector after the WRITE FP DMA QUEUED command is issued.
- \*3 This feature is disabled when power is on. While this function is enabled, the device perform interface power save.
- \*4: This feature is enabled when power is on. While this function is enabled, the device preserves the software settings across COMRESET.

**\*4) Automatic Acoustic Management (AAM)**

The host writes to the Sector Count filed with the requested acoustic management level and executes this command with subcommand code 42h, and then Automatic Acoustic Management is enabled. The AAM level setting is preserved by the drive across power on and COMRESET.

AAM Level	Sector Count Filed
Performance mode (Fast Seek)	C0h-FEh
Acoustic mode (Slow Seek)	80h-BFh
Abort	01h-7Fh
Non Operate	00h, FFh

High-speed seek to which gives priority to the performance operates as for "Performance mode", and low-speed seek by which the seek sound is suppressed operates as for "Acoustic mode".

Setting the seek mode by this command is applied to the seek operation in all command processing.

**\*5) Write-Read-Verify feature (optional)**

SN	SC	Description
00h (Mode 0)	-	Enabled Always
01h (Mode 1)	-	The first 65,536 logical sectors written by the host after every spin-up (or reset) or after issuing this set features shall be verified.
02h (Mode 2)	-	Device may determine, for itself, how many logical sectors to do.
03h (Mode 3)	Verify count	The first (Verify Sector Count x 1024) logical sectors written by the host after every spin-up or after issuing this set features shall be verified.
04h-FFh	-	Reserved (Abort)

**(29) SECURITY SET PASSWORD (X 'F1')**

This command enables a user password or master password to be set.

The host transfers the 512-byte data shown in Table 5.36 to the device. The device determines the operation of the lock function according to the specifications of the Identifier bit and Security level bit in the transferred data. (Table 5.37)

Issuing this command in LOCKED MODE or FROZEN MODE returns the Aborted Command error.

**Table 5.35 Contents of SECURITY SET PASSWORD data**

Word	Contents
0	Control word Bit 0 Identifier 0 = Sets a user password. 1 = Sets a master password. Bits 1 to 7 Reserved Bit 8 Security level 0 = High 1 = Maximum Bits 9 to 15 Reserved
1 to 16	Password (32 bytes)
17	Master password version number (This value is valid only when Word 0 Bit 0 is set to one.)
18 to 255	Reserved

**Table 5.36 Relationship between combination of Identifier and Security level, and operation of the lock function**

Identifier	Level	Description
User	High	The specified password is set as a new user password. The lock function is enabled after the device is turned off and then on. LOCKED MODE can be canceled using the user password or the master password already set.
Master	High	The specified password is set as a new master password. The lock function is not enabled.
User	Maximum	The specified password is set as a new user password. The lock function is enabled after the device is turned off and then on. LOCKED MODE can be canceled using the user password only. The master password already set cannot cancel LOCKED MODE.
Master	Maximum	The specified password is set as a new master password. The lock function is not enabled.

- Error reporting conditions
  - (1) The device is in Security Locked mode (ST = 51h, ER = 04h).
  - (2) The device is in Security Frozen mode (ST = 51h, ER = 04h).
  - (3) If the host attempts to set the Master Password Revision Code from a valid to an invalid value (0000h or FFFFh), the device shall preserve the existing Master Password Revision Code and return the command is aborted (ST = 51h, ER = 04h).
  - (4) A SATA communication error occurred (ST = 51h, ER = 14h).

At command issuance (Shadow Block Registers setting contents)								
CM	1	1	1	1	0	0	0	1
DH	x	x	x	x	xx			
CH					xx			
CL					xx			
SN					xx			
SC					xx			
FR					xx			

At command completion (Shadow Block Register contents to be read)								
ST	Status information							
DH	x	x	x	x	xx			
CH					xx			
CL					xx			
SN					xx			
SC					xx			
ER	Error information							

## (30) SECURITY UNLOCK (X 'F2')

This command cancels LOCKED MODE.

The host transfers the 512-byte data shown in Table 5.38 to the device. Operation of the device varies as follows depending on whether the host specifies the master password.

- When the master password is selected

When the security level is LOCKED MODE is high, the password is compared with the master password already set. If the passwords are the same, LOCKED MODE is canceled. Otherwise, the Aborted Command error is returned. If the security level in LOCKED MODE is set to the highest level, the Aborted Command error is always returned.

- When the user password is selected

The password is compared with the user password already set. If the passwords are the same, LOCKED MODE is canceled. Otherwise, the Aborted Command error is returned.

If the password comparison fails, the device decrements the UNLOCK counter. The UNLOCK counter initially has a value of five. When the value of the UNLOCK counter reaches zero, this command or the SECURITY ERASE UNIT command causes the Aborted Command error until the device is turned off and then on. Issuing this command with LOCKED MODE canceled (in UNLOCK MODE) has no affect on the UNLOCK counter.

- Error reporting conditions

- (1) An incorrect password is specified (ST = 51h, ER = 04h).
- (2) The device is in Security Frozen mode (ST = 51h, ER = 04h).
- (3) A SATA communication error occurred (ST = 51h, ER = 14h).

At command issuance (Shadow Block Registers setting contents)								
CM	1	1	1	1	0	0	1	0
DH	x	x	x	x	xx			
CH	xx							
CL	xx							
SN	xx							
SC	xx							
FR	xx							

At command completion (Shadow Block Register contents to be read)					
ST	Status information				
DH	x	x	x	x	xx
CH	xx				
CL	xx				
SN	xx				
SC	xx				
ER	Error information				

## (31) SECURITY ERASE PREPARE (X 'F3')

The SECURITY ERASE UNIT command feature is enabled by issuing the SECURITY ERASE PREPARE command and then the SECURITY ERASE UNIT command. The SECURITY ERASE PREPARE command prevents data from being erased unnecessarily by the SECURITY ERASE UNIT command.

- Error reporting conditions

- (1) The device is in Security Frozen mode (ST = 51h, ER = 04h).
- (2) A SATA communication error occurred (ST = 51h, ER = 14h).

At command issuance (Shadow Block Registers setting contents)								
CM	1	1	1	1	0	0	1	1
DH	x	x	x	x	xx			
CH	xx							
CL	xx							
SN	xx							
SC	xx							
FR	xx							

At command completion (Shadow Block Registers contents to be read)								
ST	Status information							
DH	x	x	x	x	xx			
CH	xx							
CL	xx							
SN	xx							
SC	xx							
ER	Error information							



## (32) SECURITY ERASE UNIT (X 'F4')

This command erases all user data. This command also invalidates the user password and releases the lock function.

The host transfers the 512-byte data shown in Table 5.38 to the device. The device compares the user password or master password in the transferred data with the user password or master password already set. The device erases user data, invalidates the user password, and releases the lock function if the passwords are the same.

Although this command invalidates the user password, the master password is retained.

To recover the master password, issue the SECURITY SET PASSWORD command and reset the user password.

- Error reporting conditions
  - (1) An incorrect password is specified (ST = 51h, ER = 04h).
  - (2) The Security Erase Prepare command did not complete normally beforehand (ST = 51h, ER = 04h).
  - (3) The device is in Security Frozen mode (ST = 51h, ER = 04h).
  - (4) A SATA communication error occurred (ST = 51h, ER = 14h).

At command issuance (Shadow Block Registers setting contents)								
CM	1	1	1	1	0	1	0	0
DH	x	x	x	x	xx			
CH	xx							
CL	xx							
SN	xx							
SC	xx							
FR	xx							

At command completion (Shadow Block Registers contents to be read)								
ST	Status information							
DH	x	x	x	x	xx			
CH	xx							
CL	xx							
SN	xx							
SC	xx							
ER	Error information							

(33) SECURITY FREEZE LOCK (X 'F5')

This command puts the device into FROZEN MODE. The following commands used to change the lock function return the Aborted Command error if the device is in FROZEN MODE.

- SECURITY SET PASSWORD
- SECURITY UNLOCK
- SECURITY DISABLE PASSWORD
- SECURITY ERASE PREPARE
- SECURITY ERASE UNIT

FROZEN MODE is canceled when the power is turned off.

If this command is reissued in FROZEN MODE, the command is completed and FROZEN MODE remains unchanged.

The following medium access commands return the Aborted Command error when the device is in LOCKED MODE

- READ DMA (EXT)
- READ MULTIPLE (EXT)
- READ SECTORS (EXT)
- READ VERIFY SECTORS (EXT)
- WRITE DMA (EXT)
- WRITE MULTIPLE (EXT)
- WRITE SECTORS (EXT)
- WRITE VERIFY
- SECURITY DISABLE PASSWORD
- SECURITY FREEZE LOCK
- SECURITY SET PASSWORD
- SET MAX ADDRESS (EXT)
- FLUSH CACHE (EXT)
- DEVICE CONFIGURATION RESTORE
- DEVICE CONFIGURATION SET
- DEVICE CONFIGURATION FREEZE LOCK

- DEVICE CONFIGURATION IDENTIFY
  - READ LOG EXT
  - WRITE DMA FUA EXT
  - WRITE LOG EXT
  - WRITE UNCORRECTABLE EXT
  - READ LOG DMA EXT
  - WRITE LOG DMA EXT
  - READ FP DMA QUEUED
  - WRITE FP DMA QUEUED
  - WRITE MULTIPLE FUA EXT
- Error reporting conditions
    - (1) The device is in Security Locked mode (ST = 51h, ER = 04h).
    - (2) A SATA communication error occurred (ST = 51h, ER = 14h).

At command issuance (Shadow Block Registers setting contents)								
CM	1	1	1	1	0	1	0	1
DH	x	x	x	x	xx			
CH	xx							
CL	xx							
SN	xx							
SC	xx							
FR	xx							

At command completion (Shadow Block Registers contents to be read)								
ST	Status information							
DH	x	x	x	x	xx			
CH	xx							
CL	xx							
SN	xx							
SC	xx							
ER	Error information							

**(34) SECURITY DISABLE PASSWORD (X 'F6')**

This command invalidates the user password already set and releases the lock function.

The host transfers the 512-byte data shown in Table 5.38 to the device. The device compares the user password or master password in the transferred data with the user password or master password already set, and releases the lock function if the passwords are the same.

Although this command invalidates the user password, the master password is retained. To recover the master password, issue the SECURITY SET PASSWORD command and reset the user password.

If the user password or master password transferred from the host does not match, the Aborted Command error is returned.

Issuing this command while in LOCKED MODE or FROZEN MODE returns the Aborted Command error.

(The section about the SECURITY FREEZE LOCK command describes LOCKED MODE and FROZEN MODE.)

**Table 5.37 Contents of security password**

Word	Contents
0	Control word Bit 0: Identifier 0 = Compares the user passwords. 1 = Compares the master passwords. Bits 1 to 15: Reserved
1 to 16	Password (32 bytes)
17 to 255	Reserved

- Error reporting conditions

- (1) An incorrect password is specified (ST = 51h, ER = 04h).
- (2) The device is in Security Locked mode (ST = 51h, ER = 04h).
- (3) The device is in Security Frozen mode (ST = 51h, ER = 04h).
- (4) A SATA communication error occurred (ST = 51h, ER = 14h).

At command issuance (Shadow Block Registers setting contents)								
CM	1	1	1	1	0	1	1	0
DH	x	x	x	x	xx			
CH	xx							
CL	xx							
SN	xx							
SC	xx							
FR	xx							

At command completion (Shadow Block Registers contents to be read)								
ST	Status information							
DH	x	x	x	x	xx			
CH	xx							
CL	xx							
SN	xx							
SC	xx							
ER	Error information							

## (35) READ NATIVE MAX ADDRESS (X 'F8')

This command posts the maximum address intrinsic to the device, which can be set by the SET MAX ADDRESS command. Upon receipt of this command, the device indicates the maximum address in the DH, CH, CL and SN field. Then reports the status to the host system.

- Error reporting conditions

(1) A SATA communication error occurred (ST = 51h, ER = 14h).

At command issuance (Shadow Block Registers setting contents)								
CM	1	1	1	1	1	0	0	0
DH	x	L	x	x	xx			
CH					xx			
CL					xx			
SN					xx			
SC					xx			
FR					xx			

At command completion (Shadow Block Registers contents to be read)					
ST	Status information				
DH	x	x	x	x	Max head/LBA [MSB]
CH	CYL No. [MSB] / LBA				
CL	CYL No. [LSB] / LBA				
SN	SCT No. / LBA[LSB]				
SC	xx				
ER	Error information				

## (36) SET MAX (X 'F9')

SET MAX Features Register Values

Value	Command
00h	Obsolete
01h	SET MAX SET PASSWORD
02h	SET MAX LOCK
03h	SET MAX UNLOCK
04h	SET MAX FREEZE LOCK
05h - FFh	Reserved

- SET MAX ADDRESS

A successful READ NATIVE MAX ADDRESS command shall immediately precede a SET MAX ADDRESS command.

This command allows the maximum address accessible by the user to be set in LBA or CHS mode. Upon receipt of the command, the device saves the maximum address specified in the DH, CH, CL and SN field then, reports the status to the host.

The new address information set by this command is reflected in Words 1, 54, 57, 58, 60 and 61(100 to 103) of IDENTIFY DEVICE information. If an attempt is made to perform a read or write operation for an address beyond the new address space, an ID Not Found error will result.

When SC field bit 0, VV (Value Volatile), is 1, the value set by this command is held even after power on. When the VV bit is 0, the value set by this command becomes invalid when the power is turned on, and the maximum address returns to the value most lately set when VV bit = 1. (When the command with VV=1 has not issued before, the maximum address returns to the default value.)

When the READ NATIVE MAX ADDRESS command has been issued immediately preceding this command, this command operates normally as the SET MAX ADDRESS command. Otherwise, this command operates as one of the SET MAX subcommands depending on the value in the Features field. The subcommands are explained below.

After power on, the host can issue this command only once when VV bit = 1. If this command with VV bit = 1 is issued twice or more, any command following the first time will result in an ID Not Found error.

When the SET MAX ADDRESS EXT command is executed, SET MAX ADDRESS command is aborted. The address value returns to the origin when the SET MAX ADDRESS EXT command is executed using the address value returned by the READ NATIVE MAX ADDRESS command.

- Error reporting conditions
  - (1) The command has been issued more than twice (ST = 51h, ER = 10h).
  - (2) The READ NATIVE MAX ADDRESS command has not been issued prior to the SET MAX ADDRESS command (ST = 51h, ER = 04h).
  - (3) The SET MAX ADDRESS (EXT) command has been issued (ST = 51h, ER = 04h).
  - (4) A SATA communication error occurred (ST = 51h, ER = 14h).

At command issuance (Shadow Block Registers setting contents)								
CM	1	1	1	1	1	0	0	1
DH	x	L	x	x	HD No./LBA			
CH	CYL No. [MSB] / LBA							
CL	CYL No. [LSB] / LBA							
SN	SCT No. / LBA[LSB]							
SC	xx						VV	
FR	xx							

At command completion (Shadow Block Registers contents to be read)							
ST	Status information						
DH	x	x	x	x	xx		
CH	CYL No. [MSB] / LBA						
CL	CYL No. [LSB] / LBA						
SN	SCT No. / LBA[LSB]						
SC	xx						
ER	Error information						

- SET MAX SET PASSWORD (Features Field = 01h)

This command requests a transfer of 1 sector of data from the host, and defines the contents of SET MAX password. The password is retained by the device until the next power cycle.



- Error reporting conditions
  - (1) The device is in Set Max Locked mode or Set Max Freeze Locked mode (ST = 51h, ER = 04h).
  - (2) A SATA communication error occurred (ST = 51h, ER = 14h).

At command issuance (Shadow Block Registers setting contents)								
CM	1	1	1	1	1	0	0	1
DH	x	x	x	x	xx			
CH	xx							
CL	xx							
SN	xx							
SC	xx							
FR	01							

At command completion (Shadow Block Registers contents to be read)	
ST	Status information
DH	xx
CH	xx
CL	xx
SN	xx
SC	xx
ER	Error information

#### Password information

Words	Contents
0	Reserved
1 to 16	Password (32 bytes)
17 to 255	Reserved

- SET MAX LOCK (Features Field = 02h)

The SET MAX LOCK command sets the device into SET\_MAX\_LOCK state. After this command is completed, any other SET MAX commands except SET MAX UNLOCK and SET MAX FREEZE LOCK commands are rejected. And the device returns command aborted.

The device remains in the SET MAX LOCK state until a power cycle or the acceptance of SET MAX UNLOCK or SET MAX FREEZE LOCK command.

- Error reporting conditions

(1) The device is in Set Max Locked mode or Set Max Freeze Locked mode (ST = 51h, ER = 04h).

(2) A SATA communication error occurred (ST = 51h, ER = 14h).

At command issuance (Shadow Block Registers setting contents)								
CM	1	1	1	1	1	0	0	1
DH	x	x	x	x	xx			
CH	xx							
CL	xx							
SN	xx							
SC	xx							
FR	02							

At command completion (Shadow Block Registers contents to be read)	
ST	Status information
DH	xx
CH	xx
CL	xx
SN	xx
SC	xx
ER	Error information

- SET MAX UNLOCK (Features Field = 03h)

This command requests a transfer of single sector of data from the host, and defines the contents of SET MAX ADDRESS password.

The password supplied in the sector of data transferred shall be compared with the stored password.

If the password compare fails, the device returns command aborted and decrements the Unlock counter, and remains in the Set Max Lock state. On the acceptance of the SET MAX LOCK command, the Unlock counter is set to a value of five. When this counter reaches zero, then SET MAX UNLOCK command returns command aborted until a power cycle.

If the password compare matches, then the device makes a transition to the Set Max Unlocked state and all SET MAX commands will be accepted.

- Error reporting conditions

- (1) The device is in Set Max Locked mode or Set Max Freeze Locked mode (ST = 51h, ER = 04h).
- (2) The device is in Set Max Unlocked mode (ST = 51h, ER = 04h).
- (3) A SATA communication error occurred (ST = 51h, ER = 14h).

At command issuance (Shadow Block Registers setting contents)								
CM	1	1	1	1	1	0	0	1
DH	x	x	x	x	xx			
CH	xx							
CL	xx							
SN	xx							
SC	xx							
FR	03							

At command completion (Shadow Block Registers contents to be read)	
ST	Status information
DH	xx
CH	xx
CL	xx
SN	xx
SC	xx
ER	Error information

- SET MAX FREEZE LOCK (Features Field = 04h)

The Set MAX FREEZE LOCK command sets the device to SET\_MAX\_Frozen state.

After the device made a transition to the Set Max Freeze Lock state, the following SET MAX commands are rejected, then the device returns command aborted:

- SET MAX ADDRESS
- SET MAX SET PASSWORD
- SET MAX LOCK
- SET MAX UNLOCK
- SET MAX FREEZE LOCK

- Error reporting conditions

(1) The device is in Set Max Locked mode or Set Max Freeze Locked mode (ST = 51h, ER = 04h).

(2) A SATA communication error occurred (ST = 51h, ER = 14h).

At command issuance (Shadow Block Registers setting contents)								
CM	1	1	1	1	1	0	0	1
DH	x	x	x	x	xx			
CH	xx							
CL	xx							
SN	xx							
SC	xx							
FR	04							

At command completion (Shadow Block Registers contents to be read)	
ST	Status information
DH	xx
CH	xx
CL	xx
SN	xx
SC	xx
ER	Error information

## (37) READ SECTOR (S) EXT (X '24')

- Description

This command is the extended command of the READ SECTOR (S) command. The LBA specification is increased from 28 bits to 48 bits, and the maximum number of sectors that can be transferred by a single command is changed from 100h to 10000h. Other command controls are the same as those of the READ SECTOR (S) command.

- Error reporting conditions

- The command was issued in CHS mode (ST = 51h, ER = 04h).  
The other error reporting conditions are the same as those of the READ SECTOR(S) command.

At command issuance (Shadow Block Registers setting contents)						
CM	0	0	1	0	0	1 0 0
DH	1	L	1	x	xx	
CH EXP	LBA (47-40)					
CH	LBA (23-16)					
CL EXP	LBA (39-32)					
CL	LBA (15-8)					
SN EXP	LBA (31-24)					
SN	LBA (7-0)					
SC EXP	Sector count (15-8)					
SC	Sector count (7-0)					
FR EXP	xx					
FR	xx					

At command completion (Shadow Block Registers contents to be read)						
ST	Status information					
DH	1	L	1	x	xx	
CH EXP	LBA (47-40)					
CH	LBA (23-16)					
CL EXP	LBA (39-32)					
CL	LBA (15-8)					
SN EXP	LBA (31-24)					
SN	LBA (7-0)					
SC EXP	xx					
SC	xx					
ER	Error information					

## (38) READ DMA EXT (X '25')

- Description

This command is the extended command of the READ DMA command. The LBA specification is increased from 28 bits to 48 bits, and the maximum number of sectors that can be transferred by a single command is changed from 100h to 10000h. Other command controls are the same as those of the READ DMA command.

- Error reporting conditions

- The command was issued in CHS mode (ST = 51h, ER = 04h).  
The other error reporting conditions are the same as those of the READ DAM command.

At command issuance (Shadow Block Registers setting contents)						
CM	0	0	1	0	0	1 0 1
DH	1	L	1	x	xx	
CH EXP						LBA (47-40)
CH						LBA (23-16)
CL EXP						LBA (39-32)
CL						LBA (15-8)
SN EXP						LBA (31-24)
SN						LBA (7-0)
SC EXP						Sector count (15-8)
SC						Sector count (7-0)
FR EXP						xx
FR						xx

At command completion (Shadow Block Registers contents to be read)						
ST	Status information					
DH	1	L	1	x	xx	
CH EXP						LBA (47-40)
CH						LBA (23-16)
CL EXP						LBA (39-32)
CL						LBA (15-8)
SN EXP						LBA (31-24)
SN						LBA (7-0)
SC EXP						xx
SC						xx
ER						Error information

## (39) READ NATIVE MAX ADDRESS EXT (X '27')

- Description

This command is used to assign the highest address that the device can initially set with the SET MAX ADDRESS EXT command. The maximum address is displayed in the CH(EXP), CL(EXP), SN(EXP) filed of the device shadow block registers.

- Error reporting conditions

- (1) This command is issued with LBA = 0 (ST = 51h, ER= 04h).
- (2) A SATA communication error occurred (ST = 51h, ER = 14h).

At command issuance (Shadow Block Registers setting contents)							
CM	0	0	1	0	0	1	1
DH	1	L	1	x	xx		
CH EXP	xx						
CH	xx						
CL EXP	xx						
CL	xx						
SN EXP	xx						
SN	xx						
SC EXP	xx						
SC	xx						
FR EXP	xx						
FR	xx						

At command completion (Shadow Block Registers contents to be read)							
ST	Status information						
DH	1	L	1	x	xx		
CH EXP	Native max address LBA (47-40)						
CH	Native max address LBA (23-16)						
CL EXP	Native max address LBA (39-32)						
CL	Native max address LBA (15-8)						
SN EXP	Native max address LBA (31-24)						
SN	Native max address LBA (7-0)						
SC EXP	xx						
SC	xx						
ER	Error information						

## (40) READ MULTIPLE EXT (X '29')

- Description

This command is the extended command of the READ MULTIPLE command. The LBA specification is increased from 28 bits to 48 bits, and the maximum number of sectors that can be transferred by a single command is changed from 100h to 10000h. Other command controls are the same as those of the READ MULTIPLE command.

- Error reporting conditions

- The command was issued in CHS mode (ST = 51h, ER = 04h).  
The other error reporting conditions are the same as those of the READ MULTIPLE command.

At command issuance (Shadow Block Registers setting contents)						
CM	0	0	1	0	1	0 0 1
DH	1	L	1	x	xx	
CH EXP	LBA (47-40)					
CH	LBA (23-16)					
CL EXP	LBA (39-32)					
CL	LBA (15-8)					
SN EXP	LBA (31-24)					
SN	LBA (7-0)					
SC EXP	Sector count (15-8)					
SC	Sector count (7-0)					
FR EXP	xx					
FR	xx					

At command completion (Shadow Block Registers contents to be read)						
ST	Status information					
DH	1	L	1	x	xx	
CH EXP	LBA (47-40)					
CH	LBA (23-16)					
CL EXP	LBA (39-32)					
CL	LBA (15-8)					
SN EXP	LBA (31-24)					
SN	LBA (7-0)					
SC EXP	xx					
SC	xx					
ER	Error information					



## (41) READ LOG EXT (X '2F')

The READ LOG EXTEND command reads versatile log data. Versatile log data includes the Extended SMART Comprehensive Error log, the Extended SMART Self-test log, and the SMART Selective log. The effectiveness of the log types depends on customization. For the protocol concerning data transfers, see Section 5.4.

The number of the log to be read is specified as the Log address. For log data consisting of multiple sectors, a sector offset can be specified as an instruction so that data transfer starts from the specified sector. The number of sectors to be transferred is specified as the Sector count.

If an error occurs in the FP Queued protocol, Read Log Ext log page 10h containing the error information is transferred. This Read Log Ext log page can be read by specifying Sector offset = 00h, Sector count = 01h, and Log address = 10h. For the data format of Read Log Ext log page 10h, see Table 5.39.

The events of the PHY level on an interface are collected and it registers with Read Log Extend page 11h. This Read Log Ext log page can be read by specifying Sector offset = 00h, Sector count = 01h, and Log address = 11h. For the data format of Read Log Ext log page 11h, see Table 5.41.

If this command is not supported, or if an invalid value is specified for the Log address, Sector count, or Sector offset, the Aborted Command error occurs.

- Error reporting conditions
  - (1) An error was detected during power-on processing (ST = 51h, ER = 04h).
  - (2) An error was detected during wake-up processing (in cases where wake-up processing is required before execution of this command) (ST = 51h, ER = 04h).
  - (3) An error that cannot be corrected with ECC occurred (ST = 51h, ER = 40h).
  - (4) The sync byte indicating the beginning of a sector was not found (ST = 51h, ER = 01h).
  - (5) An invalid log sector address or invalid Sector count (number of sectors to be transferred) is specified (ST = 51h, ER = 04h).
  - (6) A SATA communication error occurred (ST = 51h, ER = 0Ch).

At command issuance (Shadow Block Registers setting contents)								
CM	0	0	1	0	1	1	1	1
DH	x	x	x	x	xx			
CH EXP					xx			
CH					xx			
CL EXP					Sector offset (15-8)			
CL					Sector offset (7-0)			
SN EXP					xx			
SN					Log address			
SC EXP					Sector count (15-8)			
SC					Sector count (7-0)			
FR EXP					xx			
FR					xx			

At command completion (Shadow Block Registers contents to be read)					
ST	Status information				
DH	x	x	x	x	xx
CH EXP					xx
CH					xx
CL EXP					xx
CL					xx
SN EXP					xx
SN					xx
SC EXP					xx
SC					xx
ER					Error information

**Table 5.38 Data format of Read Log Ext log page 10h**

Byte(hex)	Item
00	Tag field
01	Reserved
02	Status field value
03	Error field value
04	Sector Number field value
05	Cylinder Low field value
06	Cylinder High field value
07	Dev/Head field value
08	Sector Number Exp field value
09	Cylinder Low Exp field value
0A	Cylinder High Exp field value
0B	Reserved
0C	Sector Count field value
0D	Sector Count Exp field value
0E to FF	Reserved
100 to 1FE	Vendor Unique
1FF	Check sum

**Table 5.39 Tag field information**

Bit	Description
0 to 4	If bit 7 is 0, this field has an error tag number.
5, 6	Reserved
7	If this bit is 0, the field consisting of bits 0 to 4 has an error tag number.

**Table 5.40 Data format of Read Log Ext log page 11h**

Byte(hex)	Item
00 to 03	Reserved
04 to 05	Counter 1 Identifier
06 to 09	Counter 1 Value
0A to 0B	Counter 2 Identifier
0C to 0F	Counter 2 Value
...	...
4C to 4D	Counter 10 Identifier
4E to 51	Counter 10 Value
52 to 53	Counter 0 Identifier
54 to 1FE	Reserved
1FF	Check sum

**Table 5.41 Counter Identifier information**

Identifier	Description
0	No counter value : marks end of counters in the page
1	Command failed due to an ICRC error
2	Data FIS R_ERR ending status (transmitted and received)
3	Data FIS R_ERR ending status (transmitted)
4	Data FIS R_ERR ending status (received)
5	Non-data FIS R_ERR ending status (transmitted and received)
6	Non-data FIS R_ERR ending status (transmitted)
8	Non-data FIS retries (transmitted)
9	Transitions from drive PhyRdy to drive PhyNRdy.
A	Signature Device to Host Register FIS sent due to a COMRESET.
B	CRC errors within the FIS (received)
D	Non-CRC errors within the FIS (received)
F	Data FIS R_ERR ending status due to CRC errors (received)
10	Data FIS R_ERR ending status due to non-CRC errors (received)

- SCT STATUS REQUEST (SN = E0h)

Refer to SMART Command Transport (SCT).

At command issuance (Shadow Block Registers setting)								
CM	0	0	1	0	1	1	1	1
DH	1	L	1	DV	xx			
CH EXP	xx							
CH	xx							
CL EXP	00h							
CL	00h							
SN EXP	xx							
SN	E0h							
SC EXP	00h							
SC	01h							
FR EXP	xx							
FR	xx							

At command completion (Shadow Block Registers contents to be read)								
ST	Status information							
DH	x	x	x	DV	xx			
CH EXP	xx							
CH	xx							
CL EXP	xx							
CL	xx							
SN EXP	xx							
SN	xx							
SC EXP	xx							
SC	xx							
ER	Error information							

- SCT READ DATA (SN = E1h, FR = D5)

Refer to SMART Command Transport (SCT).

At command issuance (Shadow Block Registers setting)								
CM	0	0	1	0	1	1	1	1
DH	1	L	1	DV	xx			
CH EXP	xx							
CH	xx							
CL EXP	00h							
CL	00h							
SN EXP	xx							
SN	E1h							
SC EXP	xx							
SC	xx							
FR EXP	xx							
FR	xx							

At command completion (Shadow Block Registers contents to be read)								
ST	Status information							
DH	x	x	x	DV	xx			
CH EXP	xx							
CH	xx							
CL EXP	xx							
CL	xx							
SN EXP	xx							
SN	xx							
SC EXP	xx							
SC	xx							
ER	Error information							

## (42) WRITE SECTOR (S) EXT (X '34')

- Description

This command is the extended command of the WRITE SECTOR (S) command. The LBA specification is increased from 28 bits to 48 bits, and the maximum number of sectors that can be transferred by a single command is changed from 100h to 10000h. Other command controls are the same as those of the WRITE SECTOR (S) command.

- Error reporting conditions

- The command was issued in CHS mode (ST = 51h, ER = 04h).  
The other error reporting conditions are the same as those of the WRITE SECTOR(S) command.

At command issuance (Shadow Block Registers setting contents)						
CM	0	0	1	1	0	1 0 0
DH	1	L	1	x	xx	
CH EXP				LBA (47-40)		
CH				LBA (23-16)		
CL EXP				LBA (39-32)		
CL				LBA (15-8)		
SN EXP				LBA (31-24)		
SN				LBA (7-0)		
SC EXP				Sector count (15-8)		
SC				Sector count (7-0)		
FR EXP				xx		
FR				xx		

At command completion (Shadow Block Registers contents to be read)						
ST	Status information					
DH	1	L	1	x	xx	
CH EXP				LBA (47-40)		
CH				LBA (23-16)		
CL EXP				LBA (39-32)		
CL				LBA (15-8)		
SN EXP				LBA (31-24)		
SN				LBA (7-0)		
SC EXP				xx		
SC				xx		
ER				Error information		

## (43) WRITE DMA EXT (X '35')

- Description

This command is the extended command of the WRITE DMA command. The LBA specification is increased from 28 bits to 48 bits, and the maximum number of sectors that can be transferred by a single command is changed from 100h to 10000h. Other command controls are the same as those of the WRITE DMA command.

- Error reporting conditions

- The command was issued in CHS mode (ST = 51h, ER = 04h).  
The other error reporting conditions are the same as those of the WRITE DMA command.

At command issuance (Shadow Block Registers setting contents)					
CM	0	0	1	1	0 1 0 1
DH	1	L	1	x	xx
CH EXP	LBA (47-40)				
CH	LBA (23-16)				
CL EXP	LBA (39-32)				
CL	LBA (15-8)				
SN EXP	LBA (31-24)				
SN	LBA (7-0)				
SC EXP	Sector count (15-8)				
SC	Sector count (7-0)				
FR EXP	xx				
FR	xx				

At command completion (Shadow Block Registers contents to be read)					
ST	Status information				
DH	1	L	1	x	xx
CH EXP	LBA (47-40)				
CH	LBA (23-16)				
CL EXP	LBA (39-32)				
CL	LBA (15-8)				
SN EXP	LBA (31-24)				
SN	LBA (7-0)				
SC EXP	xx				
SC	xx				
ER	Error information				



## (44) SET MAX ADDRESS EXT (X '37')

- Description

This command limits specifications so that the highest address that can be accessed by users can be specified only in LBA mode.

The address information specified with this command is set in words 1, 54, 57, 58, 60, 61, and 100 to 103 of the IDENTIFY DEVICE command response. If read or write processing is executed for an address that is outside of the new address space, an ID Not Found error occurs.

When SC field bit 0, VV (Value Volatile), is 1, the value set by this command is held even after power on or COMRESET. When the VV bit is 0, the value set by this command becomes invalid when the power is turned on, and the maximum address returns to the value most lately set when VV bit = 1. (When the command with VV=1 has not issued before, the maximum address returns to the default value.)

After power on, the host can issue this command only once when VV bit = 1. If this command with VV bit = 1 is issued twice or more, any command following the first time will result in an ID Not Found error.

When the SET MAX ADDRESS EXT command is executed, SET MAX ADDRESS command is aborted. The address value returns to the origin when the SET MAX ADDRESS EXT command is executed using the address value returned by the READ NATIVE MAX ADDRESS command.

- Error reporting conditions

- (1) This command is issued twice or more in an operation sequence (ST = 51h, ER = 10h).
- (2) The READ NATIVE MAX ADDRESS EXT command (27h) is not issued immediately before this command (ST = 51h, ER = 04h) is issued.
- (3) This command is issued in CHS mode (ST = 51h, ER = 04h).
- (4) The SET MAX ADDRESS command has already been issued (ST = 51h, ER = 04h).
- (5) A SATA communication error occurred (ST = 51h, ER = 14h).

At command issuance (Shadow Block Registers setting contents)						
CM	0	0	1	1	0	1 1 1
DH	1	L	1	x	xx	
CH EXP	SET MAX LBA (47-40)					
CH	SET MAX LBA (23-16)					
CL EXP	SET MAX LBA (39-32)					
CL	SET MAX LBA (15-8)					
SN EXP	SET MAX LBA (31-24)					
SN	SET MAX LBA (7-0)					
SC EXP	xx					
SC	xx					VV
FR EXP	xx					
FR	xx					

At command completion (Shadow Block Registers contents to be read)						
ST	Status information					
DH	1	L	1	x	xx	
CH EXP	SET MAX LBA (47-40)					
CH	SET MAX LBA (23-16)					
CL EXP	SET MAX LBA (39-32)					
CL	SET MAX LBA (15-8)					
SN EXP	SET MAX LBA (31-24)					
SN	SET MAX LBA (7-0)					
SC EXP	xx					
SC	xx					
ER	Error information					

## (45) WRITE MULTIPLE EXT (X '39')

- Description

This command is the extended command of the WRITE MULTIPLE command. The LBA specification is increased from 28 bits to 48 bits, and the maximum number of sectors that can be transferred by a single command is changed from 100h to 10000h. Other command controls are the same as those of the WRITE MULTIPLE command.

- Error reporting conditions

- The command was issued in CHS mode (ST = 51h, ER = 04h).  
The other error reporting conditions are the same as those of the WRITE MULTIPLE command.

At command issuance (Shadow Block Registers setting contents)						
CM	0	0	1	1	1	0 0 1
DH	1	L	1	x	xx	
CH EXP				LBA (47-40)		
CH				LBA (23-16)		
CL EXP				LBA (39-32)		
CL				LBA (15-8)		
SN EXP				LBA (31-24)		
SN				LBA (7-0)		
SC EXP				Sector count (15-8)		
SC				Sector count (7-0)		
FR EXP				xx		
FR				xx		

At command completion (Shadow Block Registers contents to be read)						
ST	Status information					
DH	1	L	1	x	xx	
CH EXP				LBA (47-40)		
CH				LBA (23-16)		
CL EXP				LBA (39-32)		
CL				LBA (15-8)		
SN EXP				LBA (31-24)		
SN				LBA (7-0)		
SC EXP				xx		
SC				xx		
ER				Error information		

## (46) WRITE DMA FUA EXT (X '3D')

- Description

The WRITE DMA FUA EXT command reports the status of a command after user data is written to a medium, regardless of whether the write cache feature is enabled or disabled. The other command control and error reporting conditions are the same as those of the WRITE DMA EXT command.

At command issuance (Shadow Block Registers setting contents)								
CM	0	0	1	1	1	1	0	1
DH	1	L	1	x	xx			
CH EXP	LBA (47-40)							
CH	LBA (23-16)							
CL EXP	LBA (39-32)							
CL	LBA (15-8)							
SN EXP	LBA (31-24)							
SN	LBA (7-0)							
SC EXP	Sector count (15-8)							
SC	Sector count (7-0)							
FR EXP	xx							
FR	xx							

At command completion (Shadow Block Registers contents to be read)						
ST	Status information					
DH	1	L	1	x	xx	
CH EXP	LBA (47-40)					
CH	LBA (23-16)					
CL EXP	LBA (39-32)					
CL	LBA (15-8)					
SN EXP	LBA (31-24)					
SN	LBA (7-0)					
SC EXP	xx					
SC	xx					
ER	Error information					

---

**(47) WRITE LOG EXT (X '3F')**

The WRITE LOG EXTEND command writes versatile log data. Versatile log data includes the Extended SMART Comprehensive Error log, the Extended SMART Self-test log, and the SMART Selective log; and each log can be partially written with this command. The effectiveness of the log types depends on customization. For the protocol concerning data transfers, see Section 5.4.

The number of a log to be written is specified as the Log address. For log data consisting of multiple sectors, a sector offset can be specified as an instruction so that data transfer starts from the specified sector. The number of sectors to be transferred is specified as the Sector count.

If this command is not supported, or if an invalid value is specified for the Log address, Sector count, or Sector offset, the Aborted Command error occurs.

- **Error reporting conditions**
  - (1) An error was detected during power-on processing (ST = 51h, ER = 04h).
  - (2) An error was detected during wake-up processing (in cases where wake-up processing is required before execution of this command) (ST = 51h, ER = 04h).
  - (3) A write fault was detected while the write cache was disabled (ST = 71h, ER = 10h).
  - (4) While the write cache is enabled, if the status indicating a completed transfer (STS = 50h) is returned and a data write operation failed because a write fault was detected during the data write operation, Abort will be returned for all subsequent ATA commands (ST = 71h, ER = 04h). This state is cleared the next time that the device is turned on.
  - (5) An invalid log sector address or invalid Sector count (number of sectors to be transferred) is specified (ST = 51h, ER = 04h).
  - (6) The failure prediction capability is disabled (ST = 51h, ER = 04h).
  - (7) A check sum error was detected in the data transferred (ST = 51h, ER = 04h).
  - (8) A SATA communication error occurred (ST = 51h, ER = 0Ch).

At command issuance (Shadow Block Registers setting contents)						
CM	0	0	1	1	1	1
DH	x	x	x	x	xx	
CH EXP	xx					
CH	xx					
CL EXP	Sector offset (15-8)					
CL	Sector offset (7-0)					
SN EXP	xx					
SN	Log address					
SC EXP	Sector count (15-8)					
SC	Sector count (7-0)					
FR EXP	xx					
FR	xx					

At command completion (Shadow Block Registers contents to be read)						
ST	Status information					
DH	x	x	x	x	xx	
CH EXP	xx					
CH	xx					
CL EXP	xx					
CL	xx					
SN EXP	xx					
SN	xx					
SC EXP	xx					
SC	xx					
ER	Error information					

- SCT COMMAND SET (SN = E0h)

Refer to SMART Command Transport (SCT).

At command issuance (Shadow Block Registers setting)								
CM	0	0	1	1	1	1	1	1
DH	1	L	1	DV	xx			
CH EXP	xx							
CH	xx							
CL EXP	00h							
CL	00h							
SN EXP	xx							
SN	E0h							
SC EXP	00h							
SC	01h							
FR EXP	xx							
FR	xx							

At command completion (Shadow Block Registers contents to be read)								
ST	Status information							
DH	x	x	x	DV	xx			
CH EXP	xx							
CH	xx							
CL EXP	xx							
CL	xx							
SN EXP	xx							
SN	xx							
SC EXP	xx							
SC	xx							
ER	Error information							

- SCT WRITE DATA (SN = E1h)

Refer to SMART Command Transport (SCT).

At command issuance (Shadow Block Registers setting)								
CM	0	0	1	1	0	0	0	0
DH	1	L	1	DV	xx			
CH EXP	xx							
CH	xx							
CL EXP	00h							
CL	00h							
SN EXP	xx							
SN	E1h							
SC EXP	xx							
SC	xx							
FR EXP	xx							
FR	xx							

At command completion (Shadow Block Registers contents to be read)								
ST	Status information							
DH	x	x	x	DV	xx			
CH EXP	xx							
CH	xx							
CL EXP	xx							
CL	xx							
SN EXP	xx							
SN	xx							
SC EXP	xx							
SC	xx							
ER	Error information							



## (48) READ VERIFY SECTOR (S) EXT (X '42')

- Description

This command is the extended command of the READ VERIFY SECTOR (S) command. The LBA specification is increased from 28 bits to 48 bits, and the maximum number of sectors that can be transferred by a single command is changed from 100h to 10000h. Other command controls are the same as those of the READ VERIFY SECTOR (S) command.

- Error reporting conditions

(1) The command was issued in CHS mode (ST = 51h, ER = 04h).

The other error reporting conditions are the same as those of the READ VERIFY SECTOR(S) command.

At command issuance (Shadow Block Registers setting contents)						
CM	0	1	0	0	0	0
DH	1	L	1	x	Xx	
CH EXP				LBA (47-40)		
CH				LBA (23-16)		
CL EXP				LBA (39-32)		
CL				LBA (15-8)		
SN EXP				LBA (31-24)		
SN				LBA (7-0)		
SC EXP				Sector count (15-8)		
SC				Sector count (7-0)		
FR EXP				xx		
FR				xx		

At command completion (Shadow Block Registers contents to be read)						
ST	Status information					
DH	1	L	1	x	xx	
CH EXP				LBA (47-40)		
CH				LBA (23-16)		
CL EXP				LBA (39-32)		
CL				LBA (15-8)		
SN EXP				LBA (31-24)		
SN				LBA (7-0)		
SC EXP				xx		
SC				xx		
ER				Error information		

(49) WRITE UNCORRECTABLE EXT (X '39')

- Description

In this command, it is a purpose to make the uncorrectable error for specified LBA intentionally. It reports on the uncorrectable error in the LBA against corresponding LBA after this command ends the lead operation etc. However, if a usual light operates afterwards even when the uncorrectable error is made by this command, it is recoverable. The command is specified by Logical Form (LBA), and the data transfer is unnecessary.

Moreover, SC was demanded and when "0000h" was specified, the processing of 65536 sectors was demanded.

Error re after the recovering transaction is done, disk write error that occurs while executing this command is reported.

The write operation ends in the sector (Even if it is during the block) where the error occurs. In this case, the number of sectors of remainder since the sector where the logical block address and the error where the error occurs occur is set in the shadow block register.

- Error reporting conditions

(1) The command was issued in CHS mode.

(ST = 51h, ER = 04h)

(2) When you specify excess the address of a possible write.

(ST = 51h, ER = 10h)

(3) When you specify excess the address of a possible light during the write.

(ST = 51h, ER = 10h)

(4) When you detect the write fault.

(ST = 71h, ER = 10h)

(5) When you issue the command in the CHS mode.

(ST = 51h, ER = 04h)

(6) When the SATA communication error occurs.

(ST = 51h, ER = 14h)

(7) When you detect the errors other than the above-mentioned.

(ST = 51h, ER = 04h)

At command issuance (Shadow Block Registers setting contents)							
CM	0	1	0	0	0	1	1
DH	1	L	1	x	xx		
CH EXP	LBA (47-40)						
CH	LBA (23-16)						
CL EXP	LBA (39-32)						
CL	LBA (15-8)						
SN EXP	LBA (31-24)						
SN	LBA (7-0)						
SC EXP	Sector count (15-8)						
SC	Sector count (7-0)						
FR EXP	xx						
FR	Mode						

At command completion (Shadow Block Registers contents to be read)							
ST	Status information						
DH	1	L	1	x	xx		
CH EXP	LBA (47-40)						
CH	LBA (23-16)						
CL EXP	LBA (39-32)						
CL	LBA (15-8)						
SN EXP	LBA (31-24)						
SN	LBA (7-0)						
SC EXP	xx						
SC	xx						
ER	Error information						

**Table 5.42 Operation mode**

Feature (bit 7-0) *1	Operation	Support situation
55h	Create a pseudo-uncorrectable error	Support
AAh	Create a flagged error (A pseudo-uncorrectable error is not creating on media.)	No Support (Abort)
Others	Abort (Reserved)	

\*1: Feature bit 15-8: Reserved

## (50) READ LOG DMA EXT (X '47')

- Description

This command does operation that it is the same as READ LOG EXT doing transfer to the host in the DMA mode.

Details are refer to READ LOG EXT.

At command issuance (Shadow Block Registers setting contents)									
CM	0	1	0	0	0	1	1	1	
DH	x	x	x	x	xx				
CH EXP						xx			
CH						xx			
CL EXP						Sector offset (15-8)			
CL						Sector offset (7-0)			
SN EXP						xx			
SN						Log address			
SC EXP						Sector count (15-8)			
SC						Sector count (7-0)			
FR EXP						xx			
FR						xx			

At command completion (Shadow Block Registers contents to be read)									
ST	Status information								
DH	x	x	x	x	xx				
CH EXP						xx			
CH						xx			
CL EXP						xx			
CL						xx			
SN EXP						xx			
SN						xx			
SC EXP						xx			
SC						xx			
ER						Error information			

## (51) WRITE LOG DMA EX (X '57')

- Description

This command does operation that it is the same as WRITE LOG EXT doing transfer to the host in the DMA mode.

Details are refer to WRITE LOG EXT.

At command issuance (Shadow Block Registers setting contents)								
CM	0	1	0	1	0	1	1	1
DH	x	x	x	x	xx			
CH EXP					xx			
CH					xx			
CL EXP					Sector offset (15-8)			
CL					Sector offset (7-0)			
SN EXP					xx			
SN					Log address			
SC EXP					Sector count (15-8)			
SC					Sector count (7-0)			
FR EXP					xx			
FR					xx			

At command completion (Shadow Block Registers contents to be read)					
ST	Status information				
DH	x	x	x	x	xx
CH EXP					xx
CH					xx
CL EXP					xx
CL					xx
SN EXP					xx
SN					xx
SC EXP					xx
SC					xx
ER					Error information

## (52) READ FP DMA QUEUED (X '60')

- Description

For details about control of the READ FP DMA QUEUED command, see Section 5.4.6.

At command issuance (Shadow Block Registers setting contents)							
CM	0	1	1	0	0	0	1
DH	FUA	L	1	x	xx		
CH EXP	LBA (47-40)						
CH	LBA (23-16)						
CL EXP	LBA (39-32)						
CL	LBA (15-8)						
SN EXP	LBA (31-24)						
SN	LBA (7-0)						
SC EXP	xx						
SC	TAG					xx	
FR EXP	xx						
FR	xx						

At command completion (Shadow Block Registers contents to be read)							
ST	Status information						
DH	1	L	1	x	xx		
CH EXP	xx						
CH	xx						
CL EXP	xx						
CL	xx						
SN EXP	xx						
SN	xx						
SC EXP	xx						
SC	xx						
ER	Error information						

FUA: If this bit is 1, the device always reads data from media regardless of whether the data requested by the host is in the cache.

TAG: Number of a TAG specified by the host

## (53) WRITE FP DMA QUEUED (X '61')

- Description

For details about control of the WRITE FP DMA QUEUED command, see Section 5.4.6.

At command issuance (Shadow Block Registers setting contents)							
CM	0	1	1	0	0	0	1
DH	FUA	L	1	x	xx		
CH EXP	LBA (47-40)						
CH	LBA (23-16)						
CL EXP	LBA (39-32)						
CL	LBA (15-8)						
SN EXP	LBA (31-24)						
SN	LBA (7-0)						
SC EXP	xx						
SC	TAG					xx	
FR EXP	xx						
FR	xx						

At command completion (Shadow Block Registers contents to be read)							
ST	Status information						
DH	1	L	1	x	xx		
CH EXP	xx						
CH	xx						
CL EXP	xx						
CL	xx						
SN EXP	xx						
SN	xx						
SC EXP	xx						
SC	xx						
ER	Error information						

FUA: If this bit is 1, the device always reports the status after data is written to a medium.

TAG: Number of a TAG specified by the host

## (54) WRITE MULTIPLE FUA EXT (X 'CE')

- Description

The WRITE MULTIPLE FUA EXT command reports the status of a command after user data is written to a medium, regardless of whether the write cache feature is enabled or disabled. The other command control and error reporting conditions are the same as those of the WRITE MULTIPLE EXT command.

At command issuance (Shadow Block Registers setting contents)					
CM	1	1	0	0	1 1 1 0
DH	1	L	1	x	xx
CH EXP	LBA (47-40)				
CH	LBA (23-16)				
CL EXP	LBA (39-32)				
CL	LBA (15-8)				
SN EXP	LBA (31-24)				
SN	LBA (7-0)				
SC EXP	Sector count (15-8)				
SC	Sector count (7-0)				
FR EXP	xx				
FR	xx				

At command completion (Shadow Block Registers contents to be read)					
ST	Status information				
DH	1	L	1	x	xx
CH EXP	LBA (47-40)				
CH	LBA (23-16)				
CL EXP	LBA (39-32)				
CL	LBA (15-8)				
SN EXP	LBA (31-24)				
SN	LBA (7-0)				
SC EXP	xx				
SC	xx				
ER	Error information				



## (55) FLUSH CACHE EXT (X 'EA')

- Description

This command executes the same operations as the FLUSH CACHE command (E7h). However, only LBA=1 can be specified in the command.

- Error reporting conditions

(1) A SATA communication error occurred (ST = 51h, ER = 14h).

At command issuance (Shadow Block Registers setting contents)								
CM	1	1	1	0	1	0	1	0
DH	1	L	1	x	xx			
CH EXP					xx			
CH					xx			
CL EXP					xx			
CL					xx			
SN EXP					xx			
SN					xx			
SC EXP					xx			
SC					xx			
FR EXP					xx			
FR					xx			

At command completion (Shadow Block Registers contents to be read)								
ST	Status information							
DH	1	L	1	x	xx			
CH EXP					xx			
CH					xx			
CL EXP					xx			
CL					xx			
SN EXP					xx			
SN					xx			
SC EXP					xx			
SC					xx			
ER					Error information			

### 5.3.3 Error posting

Table 5.43 lists the defined errors that are valid for each command.

**Table 5.43 Command code and parameters (1/2)**

COMMAND NAME	Error Field						Status Field		
	SFRW	SFRR	UNC	IDNF	ABRT	TK0NF	DRDY	DWF	ERR
RECALIBRATE	V				V	V	V	V	V
READ SECTOR(S)		V	V	V	V		V	V	V
WRITE SECTOR(S)	V			V	V		V	V	V
WRITE VERIFY	V		V	V	V		V	V	V
READ VERIFY SECTOR(S)		V	V	V	V		V	V	V
SEEK	V			V	V		V	V	V
EXECUTE DEVICE DIAGNOSTIC	V		*1	*1	*1	*1			
INITIALIZE DEVICE PARAMETERS	V				V		V	V	V
DOWNLOAD MICROCODE	V				V		V	V	V
STANDBY IMMEDIATE	V				V		V	V	V
IDLE (UNLOAD) IMMEDIATE	V				V		V	V	V
STANDBY	V				V		V	V	V
IDLE	V				V		V	V	V
CHECK POWER MODE	V				V		V	V	V
SLEEP	V				V		V	V	V
SMART	V	V		V	V		V	V	V
DEVICE CONFIGURATION	V	V			V		V	V	V
READ MULTIPLE		V	V	V	V		V	V	V
WRITE MULTIPLE	V			V	V		V	V	V
SET MULTIPLE MODE	V				V		V	V	V
READ DMA		V	V	V	V		V	V	V
WRITE DMA	V			V	V		V	V	V
READ BUFFER		V			V		V	V	V
FLUSH CACHE	V			V	V		V	V	V
WRITE BUFFER	V				V		V	V	V
IDENTIFY DEVICE		V			V		V	V	V
IDENTIFY DEVICE DMA		V			V		V	V	V
SET FEATURES	V				V		V	V	V
SECURITY SET PASSWORD	V				V		V	V	V

**Table 5.43 Command code and parameters (2/2)**

COMMAND NAME	Error Field						Status Field		
	SFRW	SFRR	UNC	IDNF	ABRT	TKONF	DRDY	DWF	ERR
SECURITY UNLOCK	V				V		V	V	V
SECURITY ERASE PREPARE	V				V		V	V	V
SECURITY ERASE UNIT	V				V		V	V	V
SECURITY FREEZE LOCK	V				V		V	V	V
SECURITY DISABLE PASSWORD	V				V		V	V	V
READ NATIVE MAX ADDRESS	V				V		V	V	V
SET MAX	V			V	V		V	V	V
READ SECTOR(S) EXT		V	V	V	V		V	V	V
READ DMA EXT		V	V	V	V		V	V	V
READ NATIVE MAX ADDRESS EXT	V				V		V	V	V
READ MULTIPLE EXT		V	V	V	V		V	V	V
READ LOG EXT		V	V	V	V		V	V	V
WRITE SECTOR(S) EXT	V			V	V		V	V	V
WRITE DMA EXT	V			V	V		V	V	V
SET MAX ADDRESS EXT	V			V	V		V	V	V
WRITE MULTIPLE EXT	V			V	V		V	V	V
WRITE DMA FUA EXT	V			V	V		V	V	V
WRITE LOG EXT	V			V	V		V	V	V
READ VERIFY SECTOR(S) EXT		V	V	V	V		V	V	V
WRITE UNCORRECTABLE EXT	V			V	V		V	V	V
READ LOG DMA EXT		V	V	V	V		V	V	V
WRITE LOG DMA EXT	V			V	V		V	V	V
READ FP DMA QUEUED		V	V	V	V		V	V	V
WRITE FP DMA QUEUED	V			V	V		V	V	V
WRITE MULTIPLE FUA EXT	V			V	V		V	V	V
FLUSH CACHE EXT	V			V	V		V	V	V

V: Valid on this command

\*1: See the command descriptions.

\* For a description of each bit in the Error field and Status field, see Section 5.2.4.

## 5.4 Command Protocol

The host should confirm that the BSY bit of the Shadow Block Status register of the device is 0 prior to issue a command. If BSY bit is 1, the host should wait for issuing a command until BSY bit is cleared to 0.

Commands can be executed only when the DRDY bit of the Status register is 1. However, the following commands can be executed even if DRDY bit is 0.

- EXECUTE DEVICE DIAGNOSTIC
- INITIALIZE DEVICE PARAMETERS

Note: Each FIS type is referred to as follows in this section.

FIS (Frame Information Structure) type	Abbreviation
Register - Host to Device	RegHD
Register - Device to Host	RegDH
DMA Active - Device to Host	DMA Active
DMA Setup - Device to Host or Host to Device (Bidirectional)	DMA Setup
Set Device Bits - Device to Host	SetDB
BIST Active - Bidirectional	BIST Active
PIO Setup - Device to Host	PIO Setup
Data - Host to Device or Device to Host (Bidirectional)	DATA

### 5.4.1 Non-data command protocol

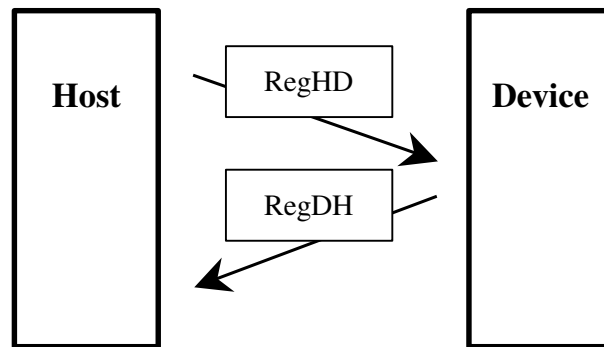
Execution of the following commands does not involve data transfer between the host and the device.

- RECALIBRATE
- SEEK
- READ VERIFY SECTOR(S) (EXT)
- WRITE UNCORRECTABLE EXT
- EXECUTE DEVICE DIAGNOSTIC
- INITIALIZE DEVICE PARAMETERS
- SET FEATURES
- SET MULTIPLE MODE
- READ NATIVE MAX ADDRESS (EXT)
- SET MAX ADDRESS (EXT)
- SET MAX LOCK
- SET MAX FREEZE LOCK
- IDLE
- IDLE (UNLOAD) IMMEDIATE
- STANDBY
- STANDBY IMMEDIATE
- CHECK POWER MODE
- SMART DISABLE OPERATION
- SMART ENABLE/DISABLE AUTOSAVE
- SMART ENABLE OPERATION
- SMART EXECUTE OFFLINE IMMEDIATE
- SMART RETURN STATUS
- SECURITY ERASE PREPARE
- SECURITY FREEZE LOCK
- FLUSH CACHE (EXT)

- SLEEP
- DEVICE CONFIGURATION RESTORE
- DEVICE CONFIGURATION FREEZE LOCK
- WRITE UNCORRECTABLE EXT

The following is the protocol for command execution without data transfer:

- 1) The device receives a non-data command with the RegHD FIS.
- 2) The device executes the received command.
- 3) Command execution is completed.
- 4) The device reports the completion of command execution by sending to the host the RegDH FIS with 1 set in the I bit.



**Figure 5.13 Non-data command protocol**

### 5.4.2 PIO data-in command protocol

Execution of the following commands involves data transfers from the device to the host system:

- IDENTIFY DEVICE
- READ SECTOR(S) (EXT)
- READ MULTI (EXT)
- READ BUFFER
- SMART READ DATA
- SMATR READ LOG SECTOR
- READ LOG EXT
- DEVICE CONFIGURATION IDENTIFY

Data of one or more sectors is transferred from the device to the host.

An outline of this protocol is as follows:

- 1) The device receives a PIO data-in command with the RegHD FIS.
- 2) If an error remaining in the device prevents command execution, the device sends the RegDH FIS with 1 set in the I bit.
- 3) When the device is ready to send data, it sets 0 in the BSY bit, 1 in the DRQ bit, and 1 in the I bit of the Status field of the PIO Setup FIS, then sends this FIS to the host. At this time, if the requested data is read from the last sector to be processed, the device sets 0 in both the BSY bit and DRQ bit of the E\_Status field. Otherwise, the device sets 1 in the BSY bit and 0 in the DRQ bit of the E\_Status field.
- 4) The device sends the DATA FIS to the host.
- 5) When all data has been transferred, command execution is completed. If any data remains to be transferred, this protocol is repeated starting from step 3). (The maximum data size is 8 KB.)

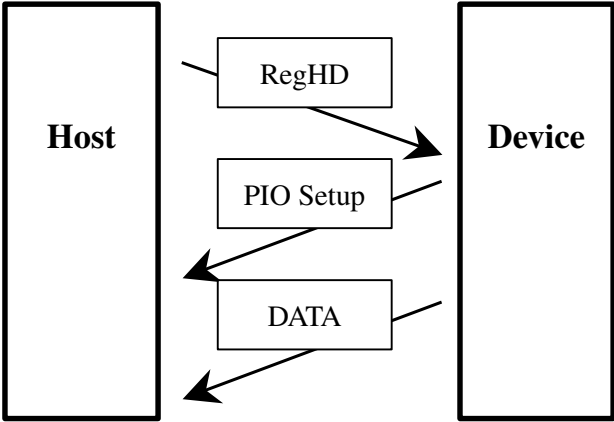


Figure 5.14 PIO data-in command protocol



### 5.4.3 PIO data-out command protocol

Execution of the following commands involves data transfers from the host system to the device:

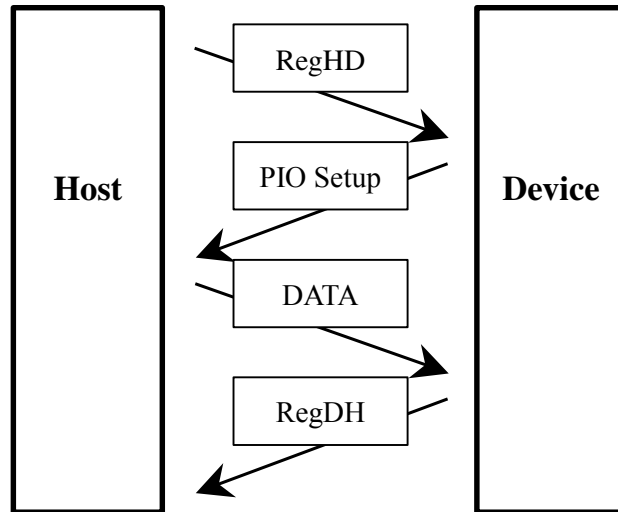
- WRITE SECTOR (S) (EXT)
- WRITE MULTI (EXT) (FUA EXT)
- WRITE BUFFER
- WRITE VERIFY
- SMART WRITE LOG SECTOR
- SECURITY DISABLE PASSWORD
- SECURITY ERASE UNIT
- SECURITY SET PASSWORD
- SECURITY UNLOCK
- SET MAX SET PASSWORD
- SET MAX UNLOCK
- DOWNLOAD MICROCODE
- WRITE LOG EXT
- DEVICE CONFIGURATION SET

Data of one or more sectors is transferred from the host to the device.

An outline of this protocol is as follows:

- 1) The device receives a PIO data-out command with the RegHD FIS.
- 2) If an error remaining in the device prevents command execution, the device sends the RegDH FIS with 1 set in the I bit.
- 3) When the device is ready to receive data, it sets 0 in the BSY bit and 1 in the DRQ bit of the Status field of the PIO Setup FIS. At this time, the device sets 0 in the I bit of the Status field of the PIO Setup FIS for a data transfer to the first sector, while it sets 1 in the I bit for a data transfer to any sector other than the first sector. Then, it sends this FIS to the host. In the E\_Status field, the device sets 1 in the BSY bit and 0 in the DRQ bit.

- 4) The device receives the DATA FIS from the host.
- 5) When all data has been transferred, the device sends the RegDH FIS (with 1 set in the I bit) to complete execution of the command. If the device has an error, it reports the error. If any data remains to be received by the device, this protocol is repeated starting from step 3). (The maximum data size is 8 KB.)



**Figure 5.15 PIO data-out command protocol**

#### 5.4.4 DMA data-in command protocol

DMA data-in commands include the following commands:

- READ DMA (EXT)
- IDENTIFY DEVICE DMA
- READ LOG DMA EXT

The DMA mechanism transfers data of more than one block from the device to the host. The completion of a command is reported by an interruption.

An outline of this protocol is as follows:

- 1) The device receives a DMA data-in command with the RegHD FIS.
- 2) If an error remaining in the device prevents command execution, the device sends the RegDH FIS with 1 set in the I bit.
- 3) When the device is ready to send data, it sends the Data FIS to the host.
- 4) When all data has been transferred, the device sends the RegDH FIS (with 1 set in the I bit) to complete execution of the command. If any data remains to be sent by the device, this protocol is repeated starting from step 3). (The maximum data size is 8 KB.)

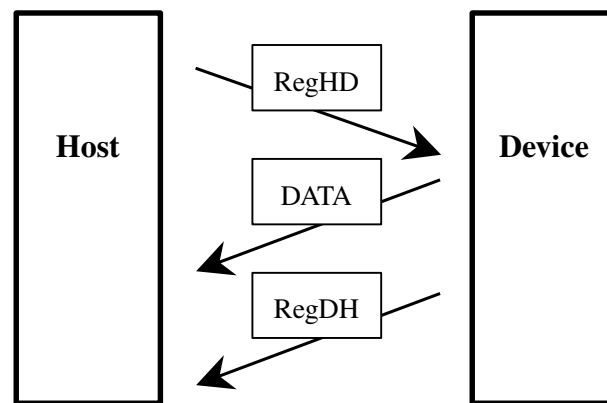


Figure 5.16 DMA data-in command protocol

### 5.4.5 DMA data-out command protocol

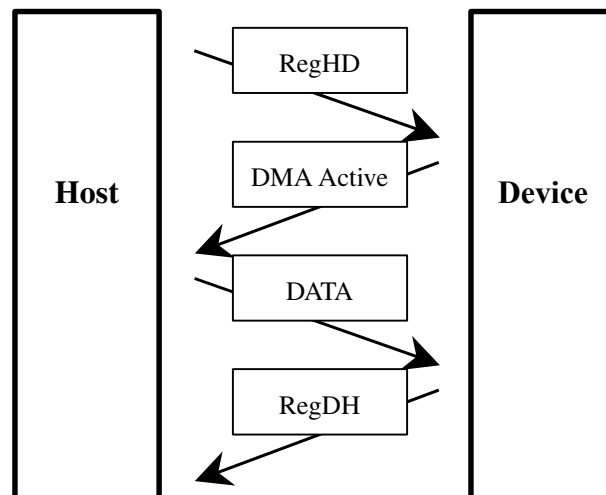
The DMA data-out command is the following command:

- WRITE DMA (EXT) (FUA EXT)
- WRITE LOG DMA EXT

The DMA mechanism transfers data of more than one block from the host to the device. The completion of the command is reported by an interruption.

An outline of this protocol is as follows:

- 1) The device receives the DMA data-out command with the RegHD FIS.
- 2) If an error remaining in the device prevents command execution, the device sends the RegDH FIS with 1 set in the I bit.
- 3) When the device is ready to receive data, it sends the DMA Active FIS to the host.
- 4) The device receives the Data FIS from the host.
- 5) When all data has been transferred, the device sends the RegDH FIS (with 1 set in the I bit) to complete execution of the command. If any data remains to be received by the device, this protocol is repeated starting from step 3). (The maximum data size is 8 KB.)



**Figure 5.17 DMA data-out command protocol**

### 5.4.6 Native Command Queuing protocol

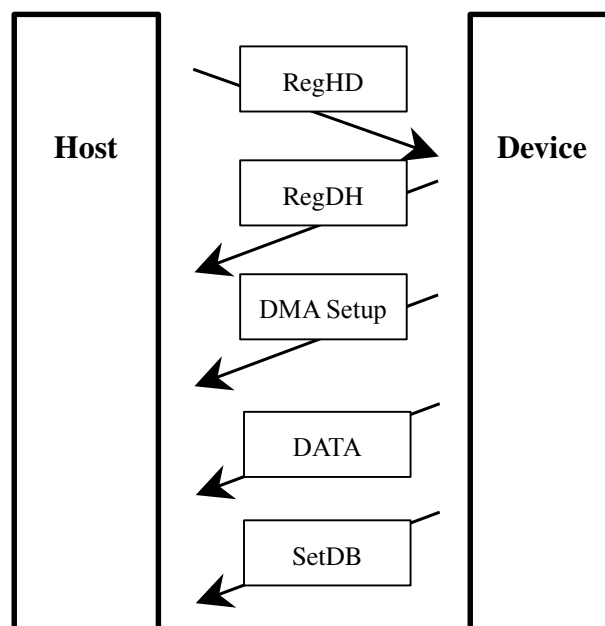
Native Queued commands include the following commands:

- READ FP DMA QUEUED
- WRITE FP DMA QUEUED

An outline of the command queuing protocol is as follows:

- 1) After the device receives a Native Queued command, if the command is executable, the device sends to the host the RegDH FIS with the settings of I bit = 0, BSY bit = 0, and DRQ bit = 0, and it places the command in the command queue. Otherwise, the device sends the RegDH FIS to the host to report an error.
- 2) If the device receives a command that is not a Native Queued command during command queuing, the device sends to the host the RegDH FIS with the settings of ERR bit = 1, I bit = 1, BSY bit = 0, DRQ bit = 0, and Error register = 0x04 to report an abort.
- 3) When the device is ready to send data for the data transfer of the READ FP DMA QUEUED command, it sends to the host the DMA Setup FIS with the settings of TAG = #, D bit = 1, I bit = 0, and A bit = 0, and it then sends the Data FIS to the host. (The Data FIS is transferred in units of up to 8 KB).
- 4) When the read data transfer requested by the command is completed and the command is completed normally, the bit in the SActive field in the SetDB FIS corresponding to the tag number of the completed command is set by the device, and the device sets 0 in the Err bit and 0 in the Error register in the Set Device Bits FIS. Then, it sends the Set Device Bits FIS to the host.
- 5) For the data transfer of the WRITE FP DMA QUEUED command, if the DMA Setup Auto Activate function is disabled, the device sends to the host the DMA Setup FIS with the settings of TAG = #, D bit = 0, A bit = 0, and I bit = 0, and it sends the DMA Active FIS before it receives the Data FIS from the host. (The Data FIS is transferred in units of up to 8 KB, with the actual length of the Data FIS varying depending on the host).
- 6) If the DMA Setup AutoActivate function is enabled, the device sends to the host the DMA Setup FIS with the settings of TAG = #, D bit = 0, A bit = 1, and I bit = 0, and it then receives the Data FIS from the host (in units of 8 KB, 16 sectors).
- 7) When the write data transfer requested by the command is completed and the command is completed normally, the bit in the SActive field in the SetDB FIS corresponding to the tag number of the completed command is set by the device, and the device sets 0 in the Err bit and 0 in the Error register in the Set Device Bits FIS. Then, it sends the Set Device Bits FIS to the host. (The DMA Setup AutoActivate function can be enabled and disabled by the SET FEATURES command. The function is disabled by default.)

- 8) If an uncorrectable error occurs during command queuing, the device sends to the host the Set Device Bits FIS with the settings of ERR bit = 1, ERRReg = ATAErrCode, I bit = 1, and SActive = 0 to report an error.
- 9) After reporting the error, the device accepts only the READ LOG EXT command with page 10h specified and the reset requests (SoftReset and COMRESET). The device reports abort for other commands.
- 10) If the device receives the READ LOG EXT command with page 10h specified, queued commands are aborted. Then, after the device sends to the host the SetDB FIS (ERR = 0, ERRReg = 0, I = 0, and SActive = 0xFFFFFFFF), it sends to the host the log data for the READ LOG EXT command with page 10h specified and reports the status of this command. Next, the command queuing function is enabled, and commands can be accepted again.



**Figure 5.18 READ FP DMA QUEUED command protocol**

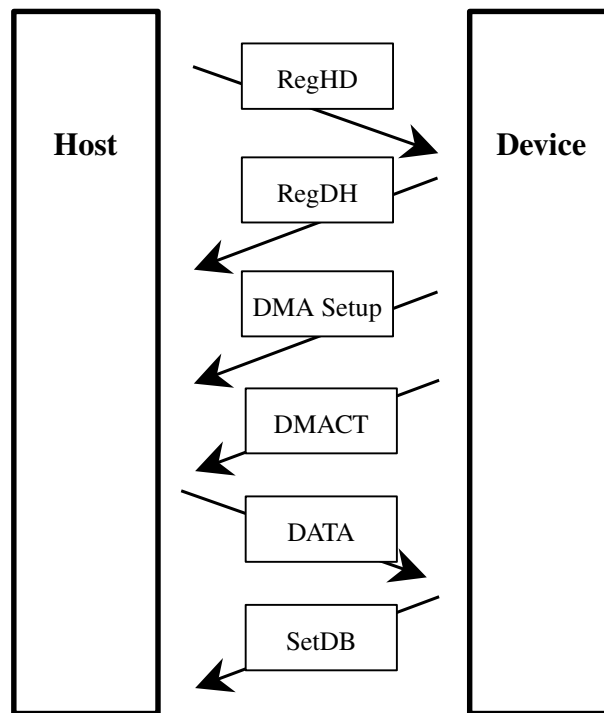
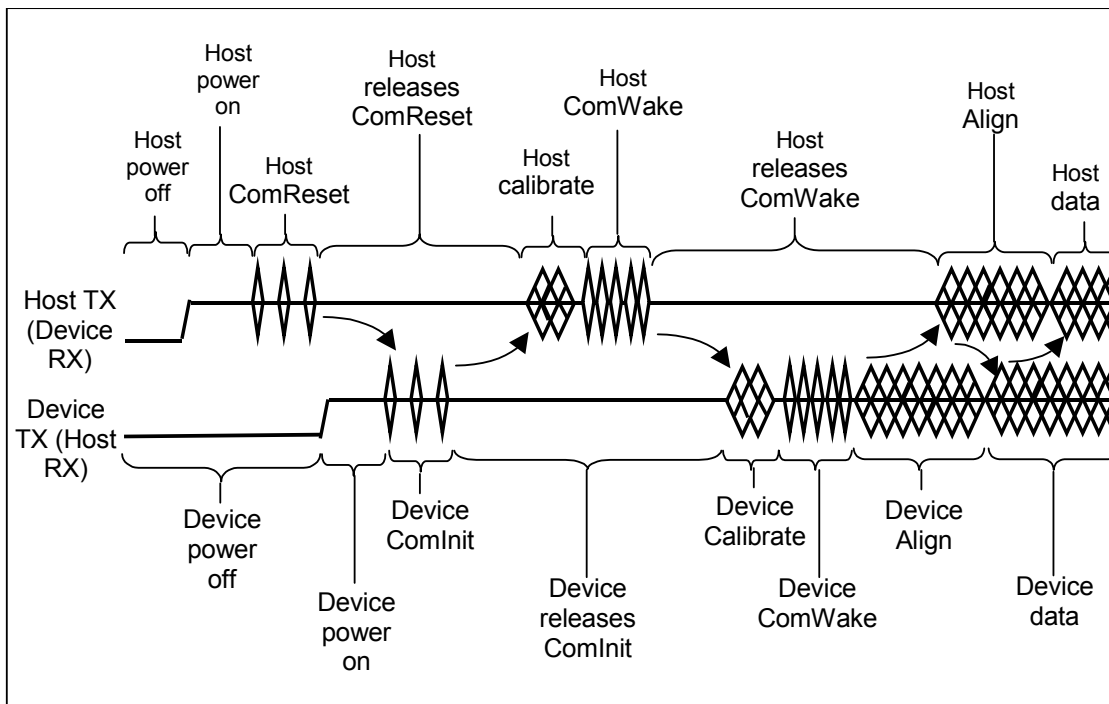


Figure 5.19 WRITE FP DMA QUEUED command protocol

## 5.5 Power-on and COMRESET

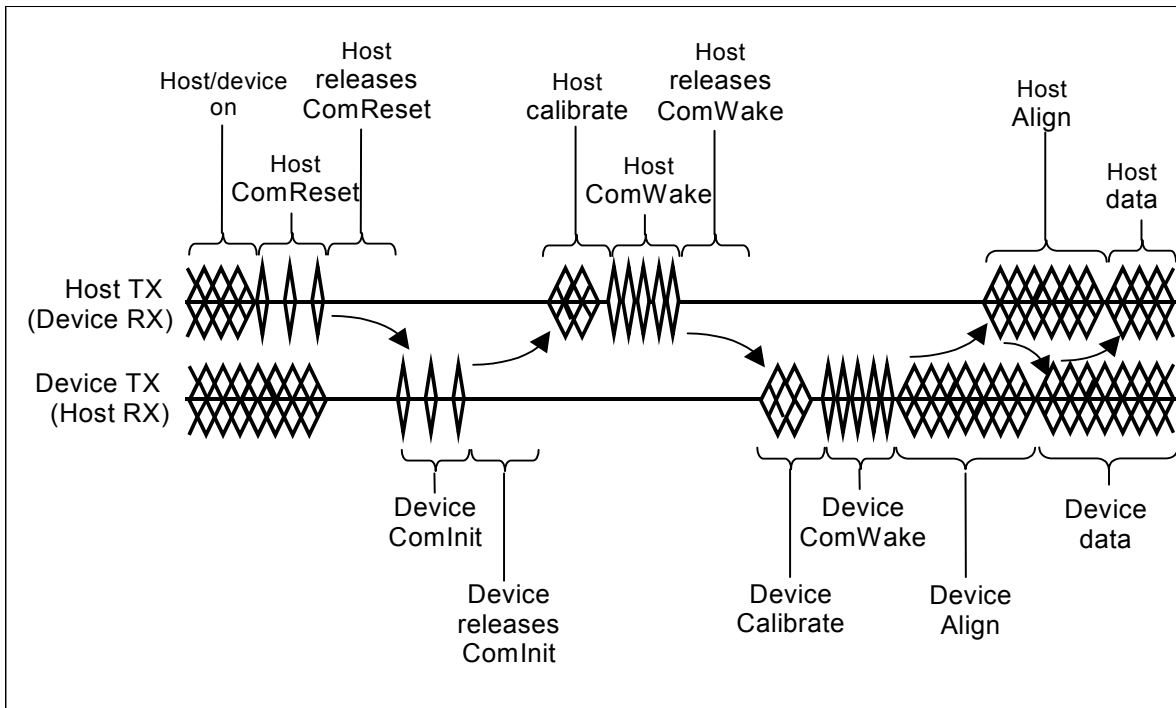
Figure 5.20 shows the power-on sequence, and Figure 5.21 shows the COMRESET sequence.

Immediately after power-on or COMRESET, the host sets 0x7Fh in the Status field of the Shadow Block Register and 0xFFh in other fields. After the power-on sequence shown below and after communication with the SATA interface is established, the host sets 0xFFh in the Status field of the Shadow Block Register. The device completes the power-on sequence within 10 ms so that communication with the SATA interface can be established.



**Figure 5.20 Power-on sequence**





**Figure 5.21 COMRESET sequence**

This page is intentionally left blank.

# CHAPTER 6 Operations

- 6.1 Reset and Diagnosis
- 6.2 Power Save
- 6.3 Power Save Controlled by Interface Power Management (IPM)
- 6.4 Read-ahead Cache
- 6.5 Write Cache

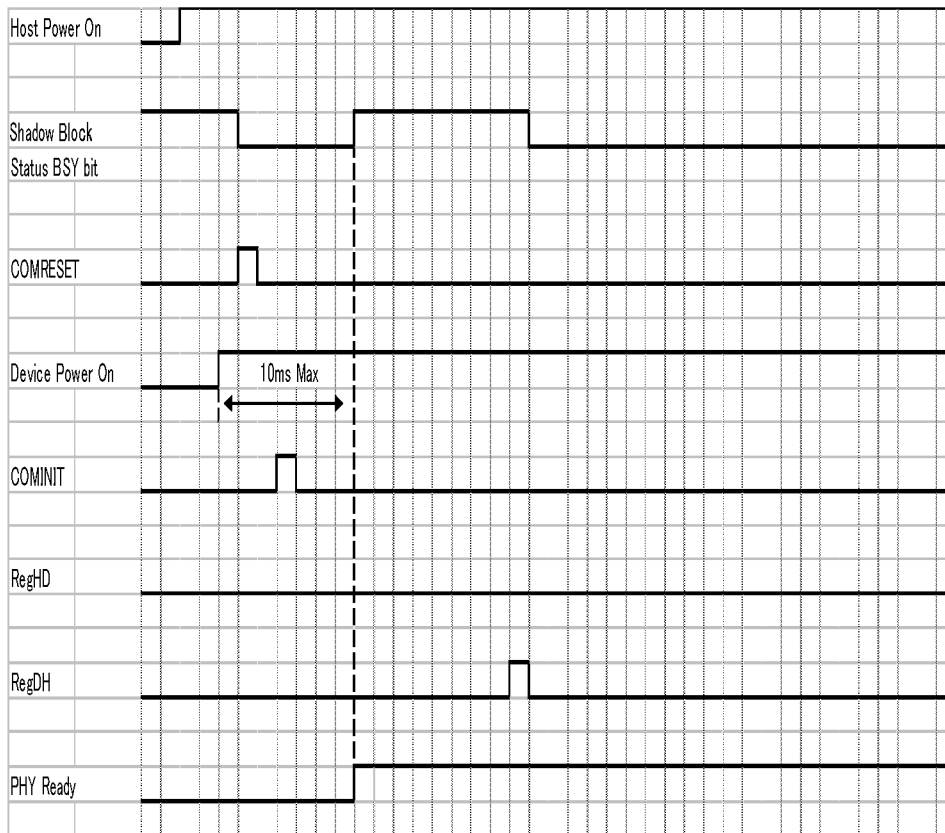
This chapter explains each of the above operations.

## 6.1 Reset and Diagnosis

This section explains the device responses to power-on and an accepted reset.

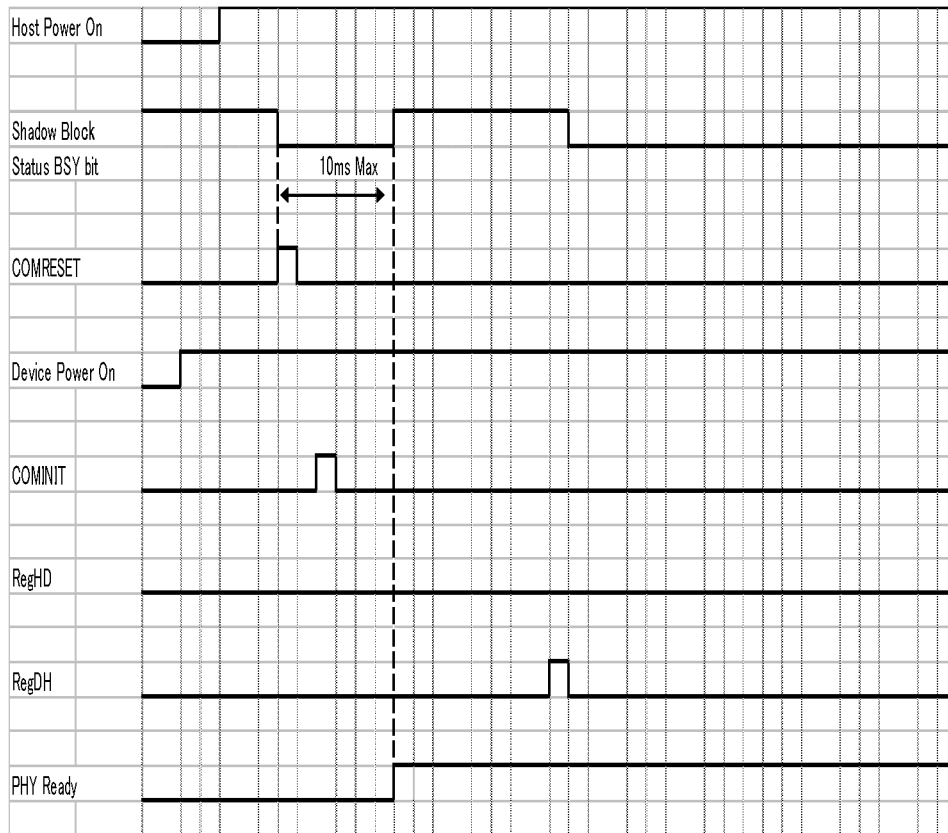
### 6.1.1 Response to power-on

Immediately after power is turned on, the host sets 0x7Fh in the Status field of the Shadow Block and 0xFFh in other fields. After communication with the SATA interface is established, the host sets 0xFFh in the Status field of the Shadow Block. The device establishes communication with the SATA interface (PHY Ready) within 10 ms. The device sends the FIS (STS = 50h) to notify the host that the device is ready.



Note: Figure 6.1 assumes that power is turned on after the power-off state continued for more than five seconds.

**Figure 6.1 Response to power-on (when the host is powered on earlier than the device)**



**Figure 6.2 Response to power-on (when the device is powered on earlier than the host)**

### 6.1.2 Response to COMRESET

The response to COMRESET is almost the same as the response when power is turned on and a power-on reset is then cancelled. The device establishes communication with the SATA interface (PHY Ready) and sends the RegDH FIS (STS = 50h) to notify the host that the device is ready. Then, the COMRESET sequence is completed.

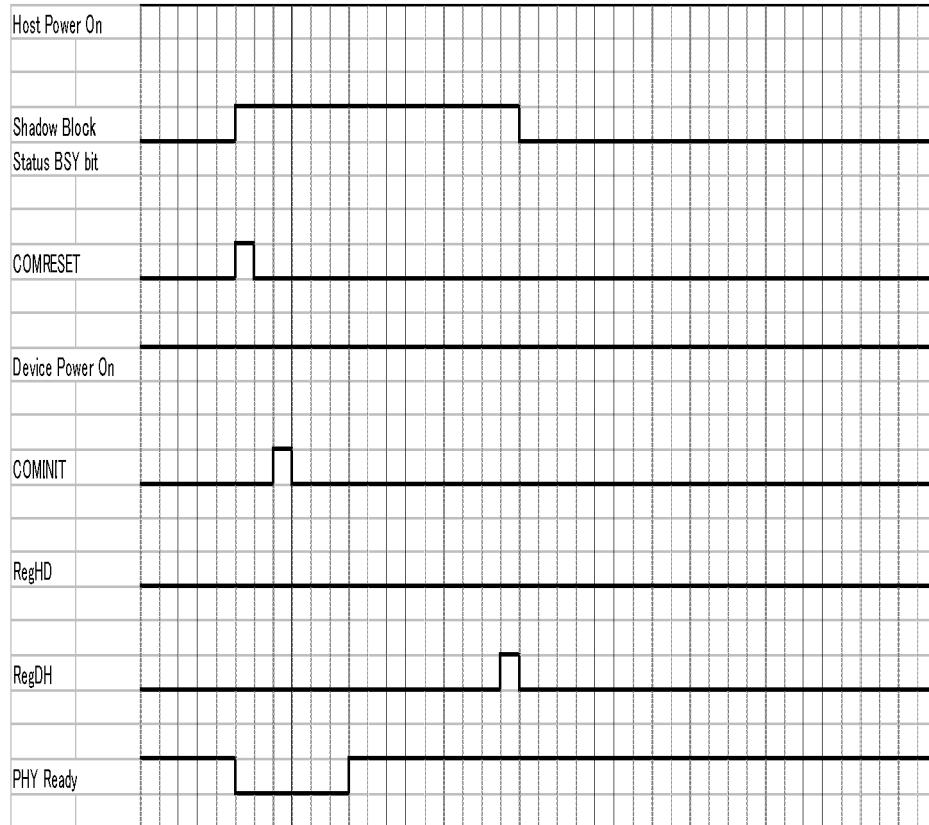


Figure 6.3 Response to COMRESET

### 6.1.2.1 Software settings preservation

When a device is enumerated, software will configure the device using SET FEATURES and other commands. These software settings are often preserved across software reset but not necessarily across hardware reset. In Parallel ATA, only commanded hardware resets can occur, thus legacy software only reprograms settings that are cleared for the particular type of reset it has issued. In Serial ATA, COMRESET is equivalent to hard reset and a non-commanded COMRESET may occur if there is an asynchronous loss of signal. Since COMRESET is equivalent to hardware reset, in the case of an asynchronous loss of signal some software settings may be lost without legacy software knowledge. In order to avoid losing important software settings without legacy driver knowledge, the software settings reservation ensures that the value of important software settings is maintained across a COMRESET. Software settings preservation may be enabled or disabled using SET FEATURES with a subcommand code of 06h (refer to Section 5.3.2 (28)). If a device supports software settings preservation, the feature shall be enabled by default.

### 6.1.2.2 COMRESET preservation requirements

The software settings that shall be preserved across COMRESET are listed below. The device is only required to preserve the indicated software setting if it supports the particular feature/command the setting is associated with.

- INITIALIZE DEVICE PARAMETERS

Device settings established with the INITIALIZE DEVICE PARAMETERS command.

- Power Management Feature Set Standby Timer

The Standby timer used in the Power Management feature set.

- Security mode state

The security mode state established by Security Mode feature set commands (refer to Section 6.13 of the ATA/6 specification). The device shall not transition to a different security mode state based on a COMRESET. For example, the device shall not transition from the SEC5: Unlocked / not Frozen state to state SEC4: Security enabled /Locked when a COMRESET occurs, instead the device shall remain in the SEC5: Unlocked /not Frozen state.

- SECURITY FREEZE LOCK

The Frozen mode setting established by the SECURITY FREEZE LOCK command.

- SECURITY UNLOCK

The unlock counter that is decremented as part of a failed SECURITY UNLOCK command attempt.

- SET ADDRESS MAX (EXT)  
The maximum LBA specified in SET MAX ADDRESS or SET MAX ADDRESS EXT.
- SET FEATURES (Write Cache Enable/Disable)  
The write cache enable/disable setting established by the SET FEATURES command with subcommand code of 02h or 82h.
- SET FEATURES (Set Transfer Mode)  
PIO, Multiword, and UDMA transfer mode settings established by the SET FEATURES command with subcommand code of 03h.
- SET FEATURES (Advanced Power Management Enable/Disable)  
The advanced power anagement enable/disable setting established by the SET FEATURES command with subcommand code of 05h or 85h. The advanced power management level established in the Sector Count field when advanced power management is enabled (SET FEATURES subcommand code 05h) shall also be preserved.
- SET FEATURES (Read Look-Ahead)  
The read look-ahead enable/disable setting established by the SET FEATURES command with subcommand code of 55h or AAh.
- SET MULTIPLE MODE  
The block size established with the SET MULTIPLE MODE command.
- SET FEATURES (Write-Read-Verify feature set)  
The Write-Read-Verify enable/disable setting established by the SET FEATURES command with subcommand code of 0b h/8b h.



### 6.1.3 Response to a software reset

When a software reset is accepted, the device performs a self-diagnosis, and it sends the RegDH FIS (STS = 50h) to notify the host that the device is ready. Then, the software reset sequence is completed.

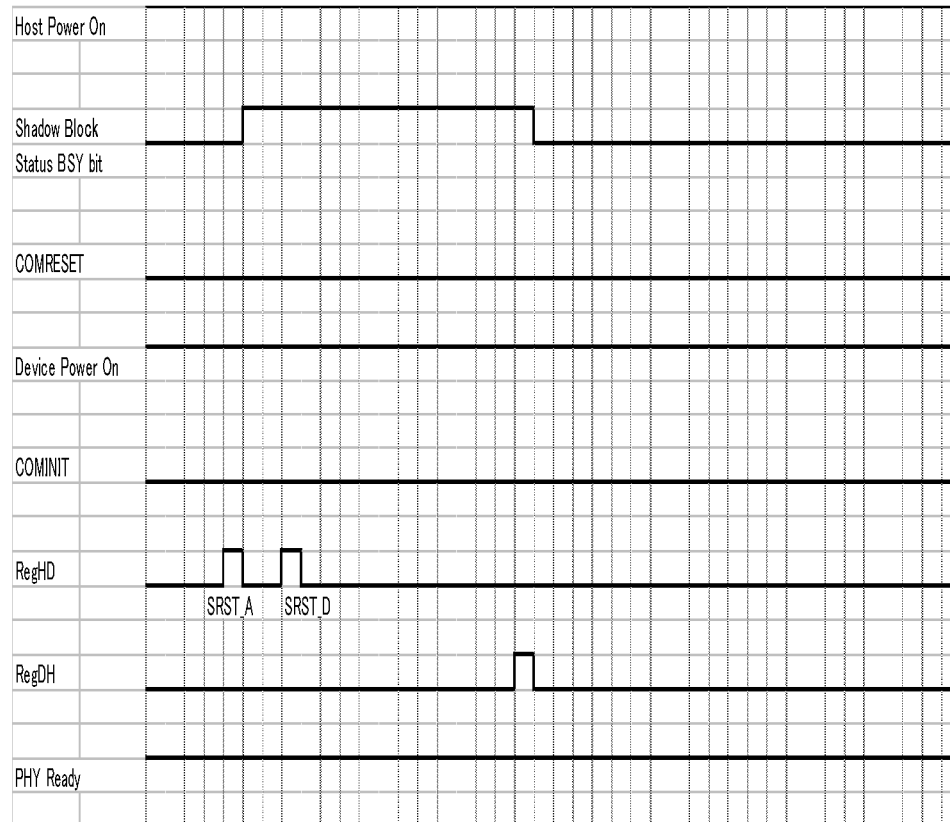


Figure 6.4 Response to a software reset

## 6.2 Power Save

The host can change the power consumption state of the device by issuing a power command to the device.

### 6.2.1 Power save mode

There are five types of power consumption state of the device including active mode where all circuits are active.

- Active mode
- Active idle mode
- Low power idle mode
- Standby mode
- Sleep mode

The device enters the active idle mode by itself. The device also enters the idle mode in the same way after power-on sequence is completed. The subsequent mode transition changes depending on the APM setting.

#### (1) Active mode

In this mode, all the electric circuit in the device are active or the device is under seek, read or write operation.

A device enters the active mode under the following conditions:

- The media access system is received.

#### (2) Active idle mode

In this mode, circuits on the device is set to power save mode.

The device enters the Active idle mode under the following conditions:

- After completion of the command execution other than SLEEP and STANDBY commands.

#### (3) Low power idle mode

Sets circuits on the device to the power save mode. The heads are disabled in the safe state.

The device enters the low power mode under the following conditions:

- After certain amount of time has elapsed in the active idle state (APM Mode 0, Mode 1 and Mode 2)
- Upon completion of the power-on sequence

- Upon receipt of a COMRESET
- Upon receipt of Idle/Idle Intermediate

#### (4) Standby mode

In this mode, the spindle motor has stopped from the low power idle state.

The device can receive commands through the interface. However if a command with disk access is issued, response time to the command under the standby mode takes longer than the active, active idle, or low power idle mode because the access to the disk medium cannot be made immediately.

The drive enters the standby mode under the following conditions:

- A STANDBY or STANDBY IMMEDIATE command is issued.
- The time specified by the STANDBY or IDLE command has elapsed after completion of the command.
- A reset is issued in the sleep mode.

When one of following commands is issued, the command is executed normally and the device is still stayed in the standby mode.

- Reset (hardware or software)
- STANDBY command
- STANDBY IMMEDIATE command
- INITIALIZE DEVICE PARAMETERS command
- CHECK POWER MODE command

#### (5) Sleep mode

The power consumption of the drive is minimal in this mode. The drive enters only the standby mode from the sleep mode. The only method to return from the standby mode is to execute a software or COMRESET.

The drive enters the sleep mode under the following condition:

- A SLEEP command is issued.

In this mode, the device does not accept the command. (It is ignored.)

## 6.2.2 Power commands

The following commands are available as power commands.

- IDLE
- IDLE IMMEDIATE
- STANDBY
- STANDBY IMMEDIATE
- SLEEP
- CHECK POWER MODE
- SET FEATURES (APM setting)

## 6.3 Power Save Controlled by Interface Power Management (IPM)

The host system can change the power consumption status of the interface by issuing the PARTIAL or SLUMBER request to the device.

### 6.3.1 Power save mode of the interface

The interface power consumption states of this device can be separated into the following three modes, including the Active mode where the device is in the active state:

- Active mode
- Partial mode (shallow Interface Power Down)
- Slumber mode (deep Interface Power Down)
- \* The relationship of amount of power consumption in each mode is: Active mode > Partial mode > Slumber mode. The following table specifies a rule about the period in which the device must switch to Active mode from the Interface Power Down state:

	Period in which the device must switch to Active mode
Partial mode	Maximum 10 $\mu$ s
Slumber mode	Maximum 10 ms

#### (1) Active mode

The interface is in the Active state and commands can be accepted.

#### (2) Partial mode

In this mode, (shallow) Power Save mode is set for the interface circuit.

The device switches to Partial mode when the following occurs:

- The device receives the PMREQ\_P signal from the host and responds with the PMACK signal.
- The device sends the PMREQ\_S signal and the host responds with PMACK signal.

The device cannot switch to Partial mode if the following condition is satisfied:

- The device responds with the PMNAK signal because it is not waiting for commands.

The device returns to Active mode from Partial mode when the following condition is satisfied:

- The device receives the COMRESET or COMWAKE signal from the host.

### (3) Slumber mode

In this mode, the (deep) Power Save mode is set for the interface circuit.

The device switches to Slumber mode when the following occurs:

- The device receives the PMREQ\_P signal from the host and responds with the PMACK signal.
- The device sends the PMREQ\_S signal and the host responds with PMACK signal.

The device cannot switch to Slumber mode if the following condition is satisfied:

- The device responds with the PMNAK signal because it is not waiting for commands.

The device returns to Active mode from Slumber mode when the following condition is satisfied:

- The device receives the COMRESET or ComWake signal from the host.

## 6.4 Read-ahead Cache

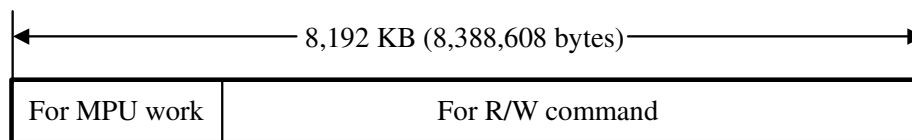
Read-ahead Cache is the function for automatically reading data blocks upon completion of the read command in order to read data from disk media and save data block on a data buffer.

If a subsequent command requests reading of the read-ahead data, data on the data buffer can be transferred without accessing the disk media. As the result, faster data access becomes possible for the host.

### 6.4.1 Data buffer structure

This device contains a data buffer. This buffer is divided into two areas: one area is used for MPU work, and the other is used as a read cache for another command. (See Figure 6.5)

Example of 8 MB buffer



**Figure 6.5 Data buffer structure**

The read-ahead operation is done by the following commands.

- READ SECTOR (S) (EXT)
- READ MULTIPLE (EXT)
- READ DMA (EXT)
- READ FP DMA QUEUED

## 6.4.2 Caching operation

The caching operation is performed only when the commands listed below are received. If any of the following data are stored on the data buffer, the data is sent to the host system.

- All of the sector data that this command processes.
- A part of the sector data including the start sector, that this command processes.

If part of the data to be processed is stored on the data buffer, the remaining data is read from disk media and sent to the host system.

### (1) Commands that are targets of caching

The commands that are targets of caching are as follows:

- READ SECTOR (S) (EXT)
- READ MULTIPLE (EXT)
- READ DMA (EXT)
- READ FP DMA QUEUED

However, if the caching function is prohibited by the SET FEATURES command, the caching operation is not performed.

### (2) Data that is a target of caching

The data that is a target of caching are as follows:

- 1) Read-ahead data that is read from disk media and saved to the data buffer upon completion of execution of a command that is a target of caching.
- 2) Pre-read data that is read from disk media and saved to the data buffer before execution of a command that is a target of caching.
- 3) Data required by a command that is a target of caching and has been sent to the host system one. If the sector data requested by the host has not been completely stored in the read cache portion of the buffer, this data does not become a target of caching. Also, If sequential hits occur continuously, the caching-target data required by the host becomes invalid because that data is overwritten by new data.



### (3) Invalidating caching-target data

Data that is a target of caching on the data buffer is invalidated under the following conditions:

- 1)-1 Any command other than the following commands is issued. (All caching-target data is invalidated.)

READ BUFFER

WRITE BUFFER

RECALIBRATE

FORMAT TRACK

SET FEATURES

SECURITY ERASE UNIT

DEVICE CONFIGURATION

DOWNLOAD MICROCODE

WRITE UNCORRECTABLE EXT

READ LOG (DMA) EXT

WRITE LOG (DMA) EXT

UNSUPPORT COMMAND (INVALID COMMAND)

- 1)-2 Commands that partially invalidate caching data

READ DMA/READ MULTIPLE/READ SECTOR(S)

READ DMA EXT/READ MULTIPLE EXT/READ SECTOR(S) EXT

READ FP DMA QUEUED

WRITE DMA/WRITE MULTIPLE/WRITE SECTOR(S)

WRITE DMA EXT/WRITE MULTIPLE EXT/WRITE SECTOR(S) EXT

WRITE DMA FUA EXT/WRITE MULTIPLE FUA EXT

WRITE FP DMA QUEUED

SMART

- 2) A COMRESET is issued or the power is turned off.  
3) When HOST CRC ERROR has occurred.

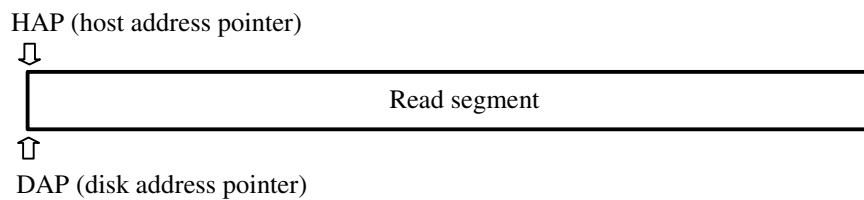
### 6.4.3 Using the read segment buffer

Methods of using the read segment buffer are explained for following situations.

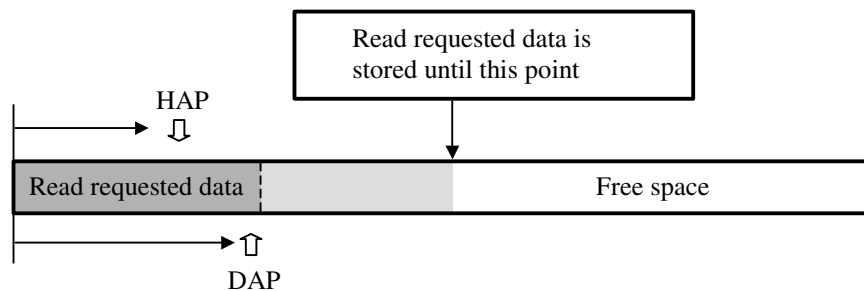
#### 6.4.3.1 Miss-hit

In this situations, the top block of read requested data is not stored at all in the data buffer. As a result, all of the read requested data is read from disk media.

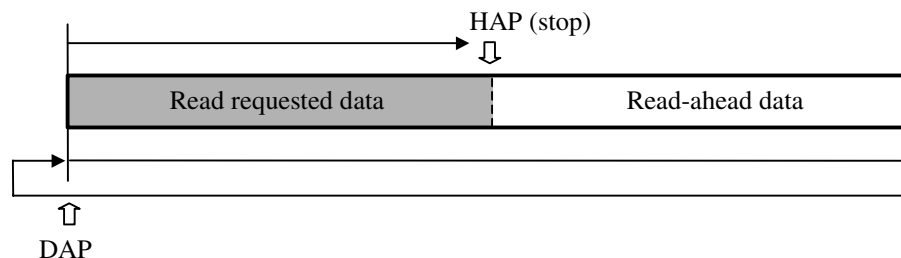
- 1) HAP (host address pointer) and DAP (disk address pointer) are defined in the head of the segment allocated from Buffer. (If pre-read is executed, HAP is set at the requested data reading position.)



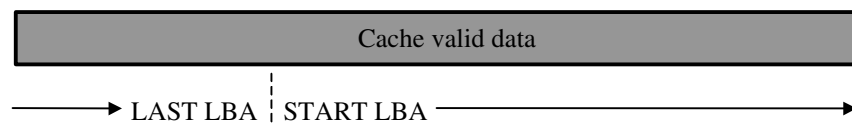
- 2) During reading of read requested data, the request data that has already been read is sent to the host system.



- 3) When reading of read requested data is completed and transfer of the read requested data to the host system is completed, reading of the disk continues until a certain amount of data is stored.



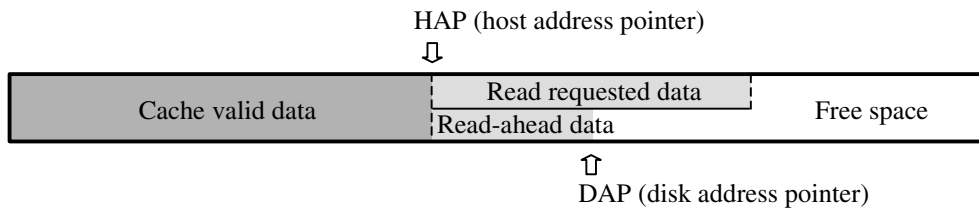
- 4) The following cache valid data is for the read command that is executed next:



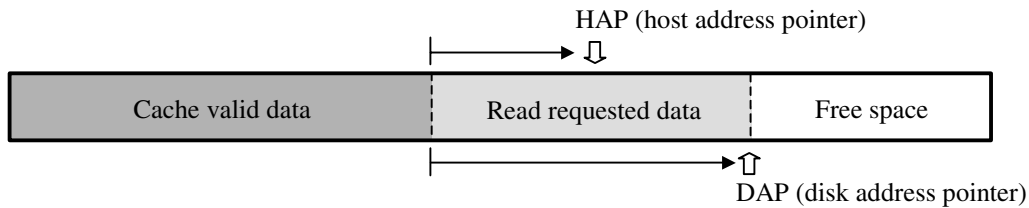
6.4.3.2 Sequential hit

When the read command that is targeted at a sequential address is received after execution of the read commands is completed, the read command transmits the Read requested data to the host system continuing read-ahead without newly allocating the buffer for read.

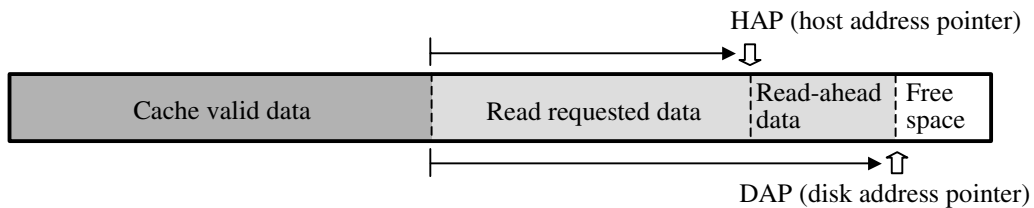
- 1) When the sequential read command is received, HAP is set in the sequential address of the last read command, and DAP is set at a present read position as it is.



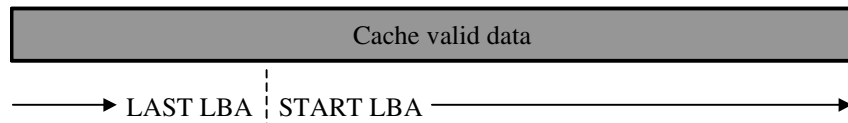
- 2) During reading of read requested data, the request data that has already been read is sent to the host system.



- 3) When reading of read requested data is completed and transfer of the read requested data to the host system is completed, the read-ahead operation continues until a certain amount of data is stored.



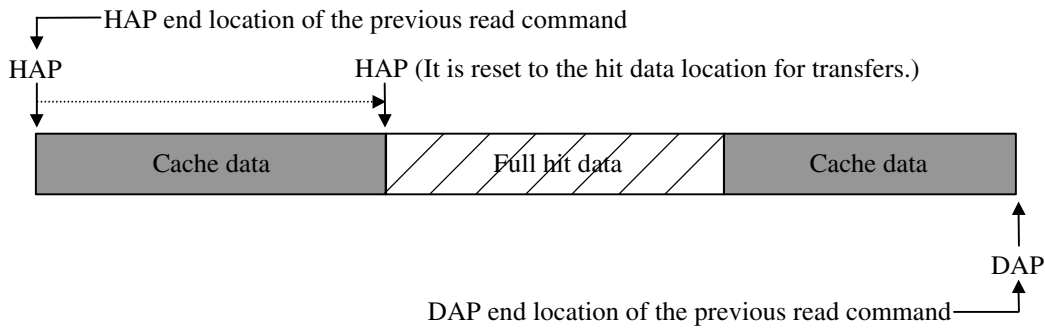
- 4) The following cache valid data is for the read command that is executed next:



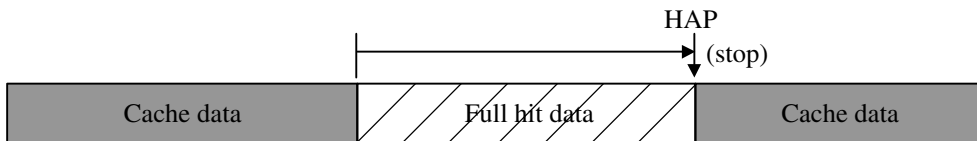
### 6.4.3.3 Full hit

In this situation, all read requested data is stored in the data buffer. Transfer of the read requested data is started from the location where hit data is stored. For data that is a target of caching and remains before a full hit, the data is retained when execution of the command is completed. This is done so that a new read-ahead operation is not performed. If the full hit command is received during the read-ahead operation, a transfer of the read requested data starts while the read-ahead operation is in progress.

- 1) An example is the state shown below where the previous read command is executing sequential reading. First, HAP is set at the location where hit data is stored.



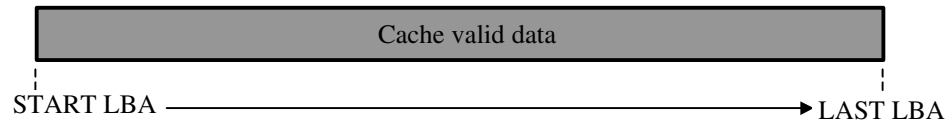
- 2) The read requested data is transferred, and a new read-ahead operation is not performed.



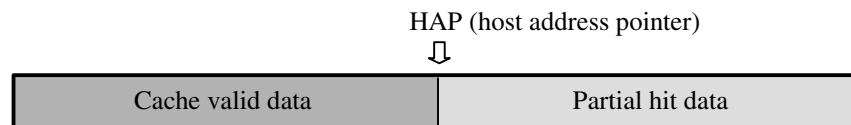
#### 6.4.3.4 Partial hit

In this situation, a part of read requested data including the top sector is stored in the data buffer. A transfer of the read requested data starts from the address where the data that is hit is stored until the top sector of the read requested data. Remaining part of insufficient data is read then.

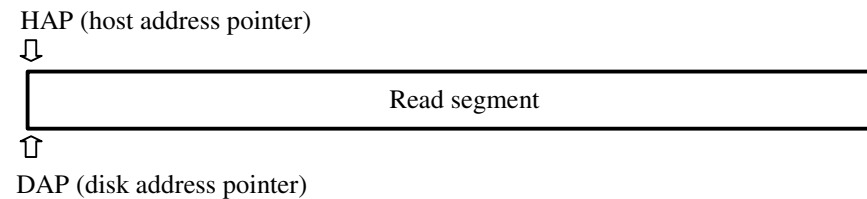
An example is a case where a partial hit occurs in cache data, as shown below.



- 1) HAP is set at the address where partial hit data is stored, and Transfer is started.

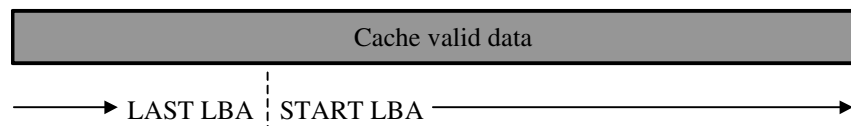


- 2) DAP and HAP are set at the head of Buffer newly allocated, and insufficient data is read.



- 3) When reading the read requested data ends and the transmission of the read requested data to the host system ends, the read-ahead operation continues until a certain amount of data is stored.

The method of storing the read-ahead data at Partial hit is the same as the Miss hit.



## 6.5 Write Cache

Write Cache is the function for reducing the command processing time by separating command control to disk media from write control to disk media. When Write Cache is permitted, the write command can keep receiving as long as the space available for data transfers remains free on the data buffer. Because of this function, command processing appears to be completed swiftly from the viewpoint of the host. It improves system throughput.

### 6.5.1 Cache operation

#### (1) Command that are targets of caching

The Commands that are targets of caching are as follows:

- WRITE SECTOR(S) (EXT)
- WRITE MULTIPLE (EXT) (FUA)
- WRITE DMA (EXT) (FUA)
- WRITE FP DMA QUEUED

However, the caching operation is not performed when the caching function is prohibited by the SET FEATURES command.

#### (2) Invalidation of cached data

If an error occurs during writing onto media, write processing is repeated up to as many times as specified for retry processing. If retry fails for a sector because the retry limit is reached, automatic alternate sector processing is executed for the sector. If the automatic alternate sector processing fails, the data in the sector for which automatic alternate sector processing failed is invalidated without being guaranteed.

Moreover, when the command (clause 6.4.2(3)) is accepted and HOST CRC Error is generated, the caching data is invalidated.

<Exception>

- If a COMRESET, a software reset or command is received while a transfer of one sector of data is in progress, data is not written in the sector of the media where the interruption occurred, and sectors accepted before interruption occurred is written in the medium.

### (3) Status report in the event of an error

The status report concerning an error occurring during writing onto media is created when the next command is issued. Where the command reporting the error status is not executed, only the error status is reported. Only the status of an error that occurs during write processing is reported.

<Exceptions>

The error status is not reported in the following case:

- The COMRESET or software reset is received after an error has occurred during writing to media.
  - The COMRESET or software reset processing is performed as usual. The error status that has occurred during writing to media is not reported.

### (4) Enabling and disabling

Enabling and disabling of the Write Cache function can be set only with the SET FEATURES command. The setting does not change even when the error status is reported.

The initial setting is stored in the system area of media. System area information is loaded whenever the power is turned on.

### (5) COMRESET and software reset response

When a COMRESET or software reset is received while cached data is stored on the data buffer, data of the data buffer is written on the media, and reset processing is then performed. This is true for both a hard reset and soft reset.

### (6) Cashing function when power supply is turned on

The caching function is invalid until Calibration is done after the power supply is turned on.(about 10 sec) It is effective in Default after that as long as the caching function is not invalidly set by the SET FEATURES command.

#### **IMPORTANT**

If Write Cache is enabled, there is a possibility that data transferred from the host with the Write Cache enable command is not completely written on disk media before the normal end interrupt is issued.

If an unrecoverable error occurs while multiple commands that are targets of write caching are received, the host has difficulty determining which command caused the error. (An error report is not issued to the host if automatic alternating processing for the error is performed normally.) Therefore, the host cannot execute a retry for the unrecoverable error while Write Cache is enabled. Be very careful on this point when using this function.

If a write error occurs, an abort response is sent to all subsequent commands.

This page is intentionally left blank.



# CHAPTER 7 Maintenance and Diagnosis

- |     |                              |
|-----|------------------------------|
| 7.1 | Maintenance                  |
| 7.2 | Operation Confirmation       |
| 7.3 | Troubleshooting Procedure    |
| 7.4 | Disk Drive Removal Procedure |
| 7.5 | Spare Disk Drive             |

This chapter describes the maintenance, diagnosis, operation check, troubleshooting, removal, and replacement of the disk drive. The following are explained:

- Rules for regular maintenance and troubleshooting
- Display of maintenance level (field and factory)
- Display of machine revision number and number change in the field
- Tools and test devices needed for each maintenance level
- Standard testing for each maintenance level
- Recommended procedure for troubleshooting and fault diagnosis
- Disk drive removal and replacement procedure
- Spare disk drive

## 7.1 Maintenance

### 7.1.1 Rules for maintenance

The following cautions must be observed to prevent injury during troubleshooting or maintenance.

#### **CAUTION**

##### **Static, Damage**

1. Don't install or remove a PCA or connect or disconnect a cable or connector plug when the drive is powered. This may give you an electric shock.
2. Keep away from mechanical assemblies in the unit during operation. This may cause injuries.
3. Avoid dangerous detergent when the disk drive is cleaned.

The following cautions must be observed to avoid damaging the disk drive during troubleshooting and maintenance.

#### **CAUTION**

##### **Device damage**

1. Before touching a PCA or the drive, wear a wrist strap and perform the human body grounding to discharge static electricity from your body. This will prevent irreparable damage to the PCA and the head of the drive.
2. Don't install or remove a PCA or connect or disconnect a cable or connector plug when the drive is powered. This will prevent electrical damage to the disk drive.
3. Operating the disk drive with one or more PCA missing will be unpredictable. Only power the drive with all boards installed.
4. Avoid any detergent which may cause short circuits when cleaning assemblies.
5. Keep all vents open and unblocked. Avoid other conditions which may cause circuits to overheat.
6. Do not apply excessive force to the cover under any circumstances. Doing so may cause irreparable damage to the cover.

## 7.1.2 Maintenance requirements

### (1) Preventive maintenance

The disk drive needs no preventive maintenance, not even the air filter needs to be changed.



#### **Device damage**

The DE is completely sealed. Do not open the DE in the field.

### (2) Service life

See Section (3), "Service life", in Section 1.7.

### (3) Exchangeable parts in field

The PCA and the DE cannot be replaced separately in the field. Replace the whole disk drive.

### (4) Service system and repair

Fujitsu Limited has a disk drive service system and repair facility. When making a request for repair or parts replacement, you should provide related information usually including:

- a) Model name of disk drive, part number (P/N), disk drive revision number, manufacture serial number (S/N), and date of manufacture of the disk drive
- b) Circumstances when the fault occurred
  - Date of trouble occurred
  - System configuration
  - Environmental conditions (including temperature, humidity, and voltage)
- c) Fault history of the drive
- d) Details of the fault
  - Description of the fault
  - Issued command and specified parameters
  - Status (Status/Error register)
  - Interval of the fault
  - Other information for fault diagnosis



**Data corruption**

When asking for repair, save all data stored in the disk drive beforehand. Fujitsu Limited is not responsible for any loss of data during service and repair.

(5) Notes on handling

a. General notes

- a) Vibrations and shocks more severe than allowed will cause fatal damage to the device so be very careful. Be especially careful when unpacking the device.
- b) Do not leave the device in a dusty environment.
- c) Because the device uses MR (MR head) and static sensitive CMOS semiconductors take the following precautions, be careful of the handling on the following points after the device is unpacked.
  - Use an antistatic mat, etc. in the environment for handling the equipment. The worker should also be physically grounded (e.g., wearing a wrist strap).
  - Hold by the DE section, do not directly touch the PCA unit unnecessarily.

b. Unpacking

- a) Use a flat workplace, find which side of the pack is up and be careful not to have the wrong side facing upwards. Do not place the device directly on a hard table, place it on something soft such as a rubber mat.
- b) Be careful not to apply any excessive force to the packed device when removing the shock absorbing material.
- c) When taking the device out of the antistatic bag, be especially careful not to apply any excessive force to the PCA or to the interface connector section.
- d) Never ever remove the DE seal label and screws and the DE cover.

c. Installation

- a) When the power is ON, do not change the switch setting, or connecting, or disconnecting connectors.
- b) Do not move the device or disconnect connectors with the power ON or until the disk drive unit comes to a complete stop after the power is turned OFF. (It is required to wait more than 30 seconds.)

## d. Packaging

- a) Place the device in an antistatic vinyl bag along with a desiccant (silica gel).
- b) It is recommended that you use the shock absorption cushion material and packaging that contained the device when it was delivered by Fujitsu.

If the same packaging material cannot be used, use a shock absorbent box that will transmit shocks directly to the device. When using this type of box, adequately protect the PCA surface and interface connector section.

- c) Place a label showing which side is up and clearly stating the notes on handling on the outside of the packaging.

## e. Delivery

- a) As a rule, deliver as it is packaged and keep the up side up.
- b) If delivering a single drive after it is unpacked, take it only a short distance. Also, use shock absorbent material to protect it against shock and vibration. Deliver an unpacked device in either of the allowable packed positions. Refer to Section 3.2.

## f. Storage

- a) Store in dampproof packaging.
- b) Take care that the environmental requirements satisfy the non-operating environmental specifications described in Section 1.4.
- c) To prevent condensation, do not subject the device to sudden changes of temperature.

### 7.1.3 Maintenance levels

Because of its compact size and special repair requirements, it is recommended that the whole disk drive be replaced. This section describes maintenance on two levels.

## (1) Field maintenance (disk drive replacement)

- Replacement at the user site.
- Disk drive replacement requires ordinary tools.
- Usually, the user, retailer, seller, or OEM trader will replace the drive.

## (2) Factory maintenance (parts replacement)

- Only Fujitsu can perform maintenance at this level.
- This includes maintenance training and assisting other OEM traders. The OEM trader usually assists the retailer and seller.
- Use the factory level tools and test equipment. This includes recommended spare parts and repairing or replacing various parts.

### 7.1.4 Disk drive revision number

The disk drive revision number is a single alphabetic character followed by a single alphanumeric character. It is stuck on the DE and marked on the revision number label. Figure 7.1 shows the disk drive revision number label format.

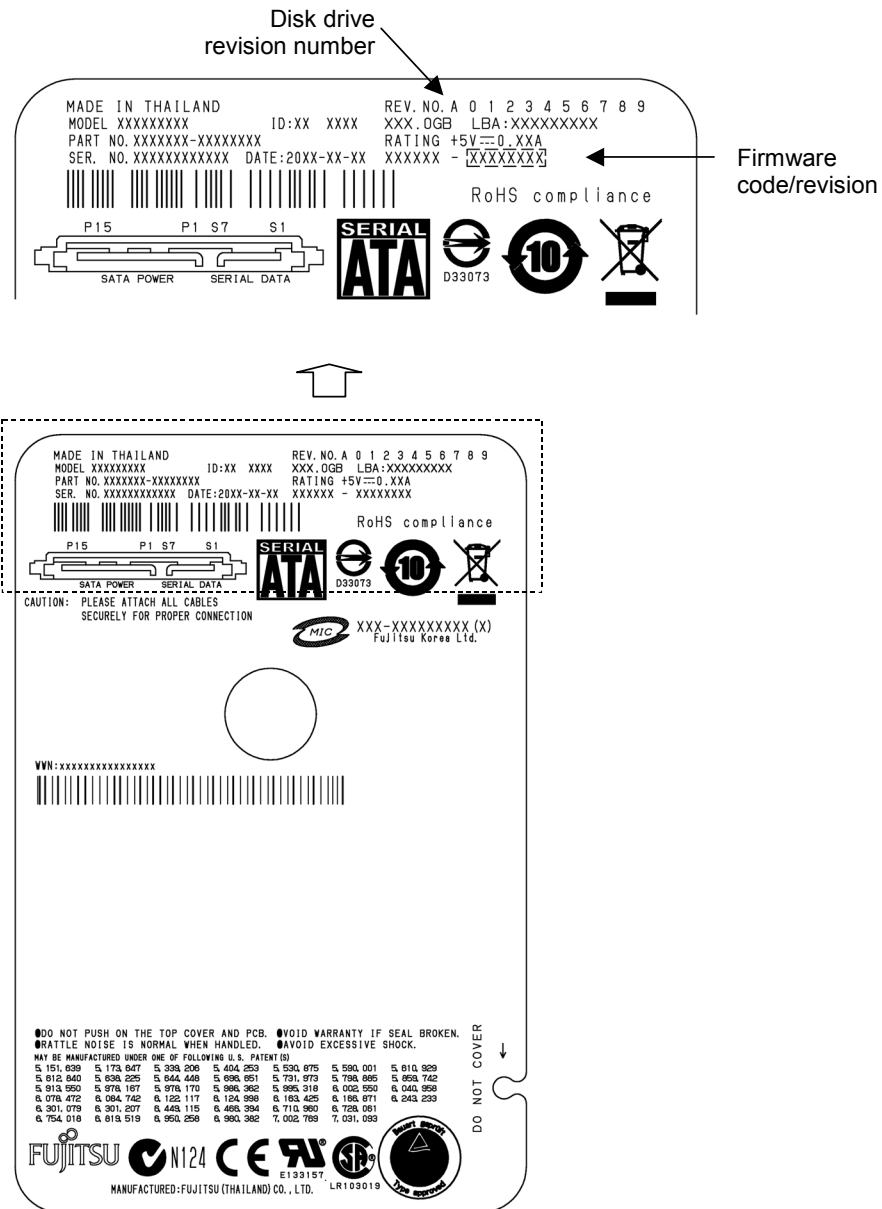


Figure 7.1 Disk drive revision number label

## (1) Revision number marking at delivery

The machine revision number is indicated by crossing out up to the relevant number in the relevant alphabetic character row using = marks (see Figure 7.2).

## (2) Revision number change in the field

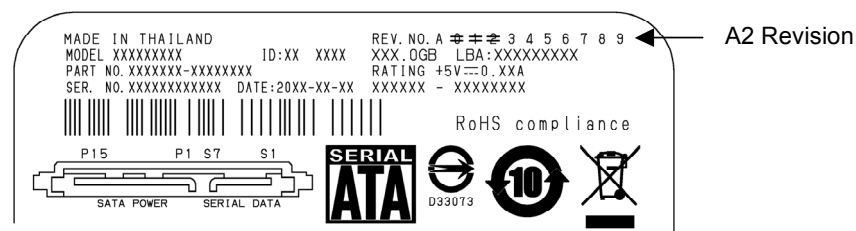
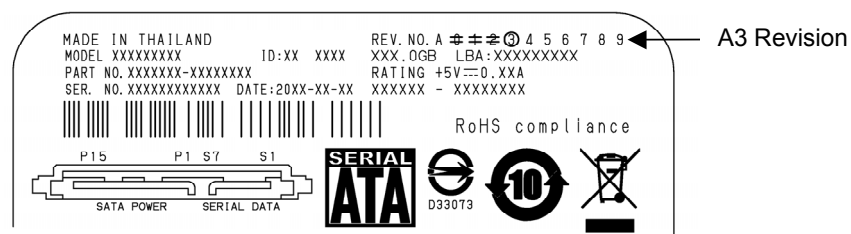
When a part is replaced in the field or other modifications are made, the machine revision number may need to be changed. The level is indicated by crossing out the relevant number in the relevant alphabetic character row using O marks (see Figure 7.2).

## (3) Firmware code and revision

First 4-digit indicates a firmware code and rest 4-digit indicates its revision.

Note:

For a change of revision number after delivery, Fujitsu issues a "Change Request/Notice" and the disk drive revision number after the change. When a change is made at the user site, the revision number level should be changed as described above.

Revision number mark when deliveredRevision number change in the field

**Figure 7.2 Display of disk drive revision number**

### 7.1.5 Tools and test equipment

At the field maintenance level, only ordinary hand tools are required for troubleshooting and repairing the disk drive. Special tools and test equipment is not required.

Factory level tools and test equipment are beyond the scope of this manual.

### 7.1.6 Self-diagnostics

The disk drive has the following self-diagnostics. These self-diagnostics allow normal basic operation of an isolated disk drive can be checked.

- Initial self-diagnostics
- SMART command (SMART Execute Off-Line Immediate command)

### 7.1.7 Test

The disk drive test can be divided into the following three levels.

- Operating test (See Subsection 7.2.1, "Operating test.")
- Diagnostic test (See Subsection 7.2.2, "Diagnostic test.")

Figure 7.3 shows the relationship between the test level and troubleshooting.

Tables 7.1 and 7.2 show the check contents.



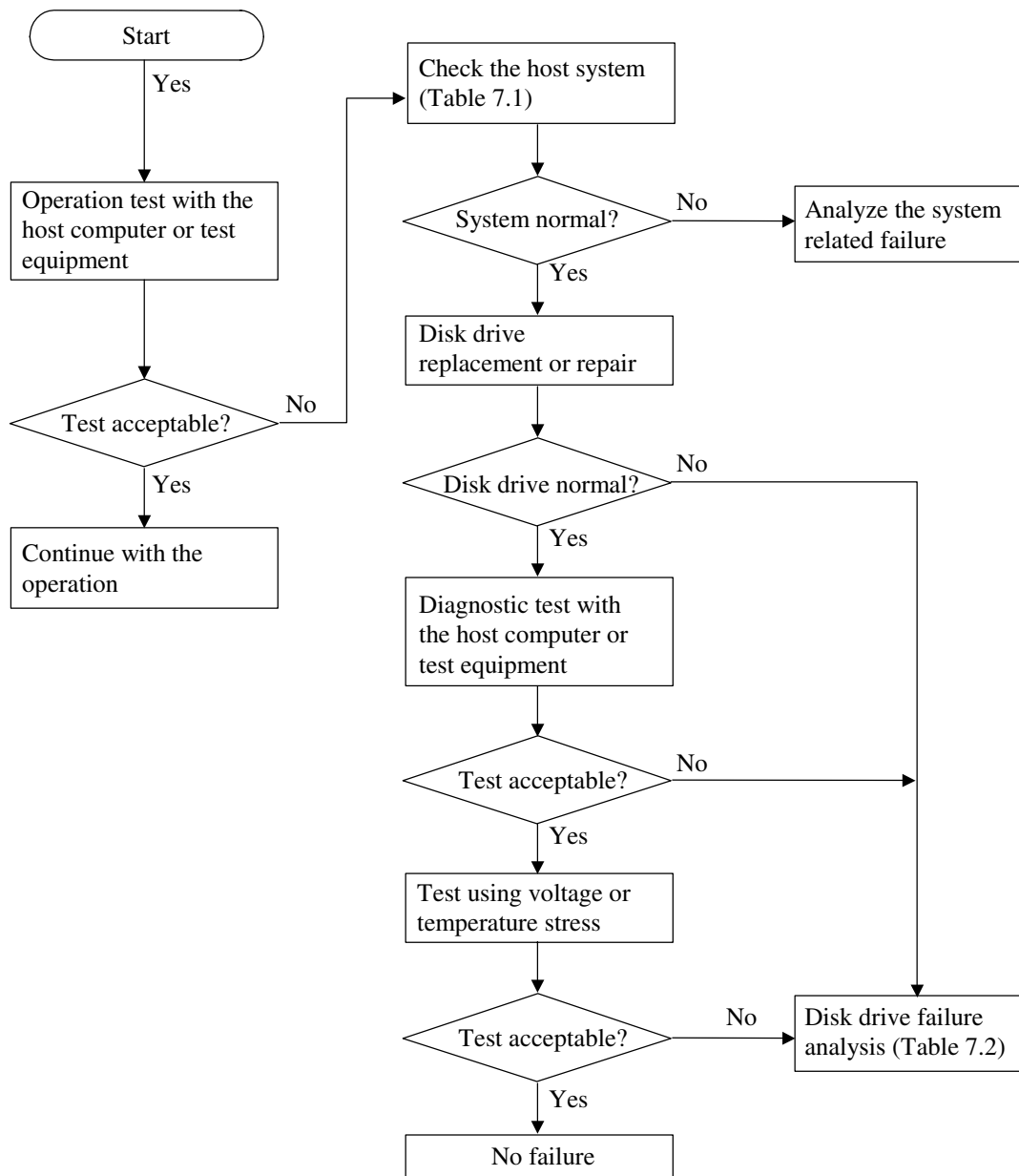


Figure 7.3 Test flowchart

**Table 7.1 Status Field contents**

bit	Contents
BIT0=1	Shown in Table 7.2
BIT1, 2	It is not necessary to take any measure when other bits are normal, in spite of these bits. (Normal)
BIT3=1 BIT5=1 BIT6=0 BIT7=1	Any of these cases. <ol style="list-style-type: none"> <li>(1) Check whether vibration is transmitted because of the way the disk drive is mounted.</li> <li>(2) Check the power, cable, and connector.</li> <li>(3) If it is concluded that the disk drive is the cause, replace the disk drive.</li> </ol>

**Table 7.2 Disposition for Error Field contents**

Error bit	Method of disposition
BIT0 BIT1 BIT4 BIT6	Any of these bits are "1". If it is concluded that the disk drive is the cause, replace the drive.
BIT4=1 and BIT2=1 or BIT3=1 and BIT2=1 or BIT2 BIT7	Any of these bits are "1". (1) Check the status of the host system, cable, and drive. (2) If it is concluded that the disk drive is the cause, replace the drive.

## 7.2 Operation Confirmation

### 7.2.1 Operation test

When the host computer is processing data, the disk drive monitors disk drive operation errors including data, command, and seek errors. The host is notified of the error that the disk drive detected and the user is notified of its result.

The user may notice intermittent and indefinite failures such as overlong execution time, abnormal noise, abnormal odor, or failures in particular processes.

The failure reported in the operation test will need further investigation. To ascertain the cause of the disk drive failure reported, the disk drive can be replaced. Failures in the operation test are often not caused by the host system. For example, not having enough power supply reserve, a loose cable connection, no timing and mechanical reserves, or relationship with other systems.

In normal operation, the disk drive itself or the host determines the processing (return or halt) following the detected failure state.

To troubleshoot the failure reported in the test at this level, accurately reproduce the condition that caused the failure. Then, by replacing the disk drive, try to separate the fault from the other sections of the disk drive host system.

### 7.2.2 Diagnostic test

The diagnostic test is used to separate a confirmed disk drive failure to a disk drive subassembly or to check the disk drive performance. A test of this level usually includes a specific disk drive function or concentrated execution of a group of functions. The test is usually performed by a factory engineer and not where the failure was reported. The disk drive is tested using another host computer or test equipment.

To troubleshoot the disk drive failure in the diagnostic test, the engineer will reproduce the failure condition. The engineer then isolates the failure to a subassembly or part of the disk drive.

The procedures used in a test of this level great depend on the test equipment used. It is beyond the range of this manual.

## 7.3 Troubleshooting Procedure

### 7.3.1 Troubleshooting procedure

This section describes the troubleshooting procedures for a disk drive failure at field maintenance level described in Subsection 7.1.3.

In this section, troubleshooting is made to isolate the reported failure to the disk drive or a host system. Usually, troubleshooting is necessary only when a cause of failure is uncertain or unknown. When a cause of failure is clear (for example, abnormal sound in the DE or burnt parts on the PCA), a level of troubleshooting is low.

### 7.3.2 Troubleshooting disk drive replaced in field

It is recommended that the whole drive be replaced in maintenance of this level. If replacing the drive corrects the fault, return the old drive to the factory for testing and repair. If the new drive shows the same fault as the one that was removed, the failure is elsewhere in the system.

System level troubleshooting, shown in Table 7.3, is performed at the user site to isolate the reported failure to the disk drive or system.

**Table 7.3 System level and field troubleshooting**

Check to be made	Recommended work
DC power voltage level	<p>Confirm that the DC power voltage is within <math>\pm 5\%</math> of the standard value. When measured at +5 V power pins P8 or P9 and GND pins P4-P6, P10, or P12 of the power supply connector, the +5 DVC must be 4.75 to 5.25 VDC.</p> <p>Refer to Sections 3.3 and 5.1.4.</p>
DC power ripple noise	<p>Check that the maximum ripple at +5 VDC power is less than 100 mV peak to peak and 200 mV peak to peak respectively.</p>
SATA Interface Connection (Including a Connection of Power Segment)	<p>Confirm that the SATA interface at the drive is properly connected with the host receptacle.</p>
System cable	<p>Confirm that all cable connections throughout the system correctly connected.</p>
System diagnostic test	<p>To further isolate the failure, if it can be done, execute the system level diagnostic routine described in the host computer manual.</p>
Intermittent or indefinite error	<p>Check the AC voltage level at the power supply section and recheck the DC voltage level at the disk drive power supply connector.</p> <p>If the AC voltage level is abnormal, or if there is a lot of electrical noise, notify the user.</p> <p>If the DC voltage level is unstable, replace the power supply section.</p> <p>If possible, replace the disk drive. If the fault remains, the disk drive is not the case. For suggestions to isolate the failure further, refer to the hardware and software manuals provided with the system.</p>

### 7.3.3 Troubleshooting at factory

When the trouble is recovered by replacing the drive at field (Subsection 7.3.2), troubleshoot the replaced drive to isolate the trouble to the subassembly parts.

To shorten the troubleshooting time and repairing time, gather the data, such as environmental data and other information, from the user and then return the failed drive to the factory to repair.

At the factory, user environment is made and a reappearance test is performed. To reappearance a same trouble at user, the failed drive is connected to the host system. If no trouble occurs by the normal test, the reappearance test is performed by adding the voltage/temperature load using a disk drive tester or tools according to the user environment.

When a trouble reappeared, troubleshoot the cause of failure. Then, replace the failed unit or parts.

As this level maintenance is made by a factory, this maintenance level is beyond the scope of this manual.



#### **Device damage**

The disk enclosure (DE) must never to be opened in the field. Opening the disk enclosure may cause irreparable damage.

## 7.4 Disk Drive Removal Procedure

The method and procedures to demount the disk drive to check the jumper terminal, change the jumper position, or replace the device differ depend on the system cabinet structure. Therefore, for actual working procedures, the specific conditions necessary for each system must be determined. The general removal procedures, with notes, are as follows.

- a) Disconnect the power-interface cable.
- b) Remove the screws that attach the drive and remove the drive from the system cabinet.
- c) When storing or transporting the drive, pack it an antistatic bag in compliance with section 7.1.2 (5) d. and (5) e.

To protect the device from damage and prevent the worker getting hurt, observe the following cautions and precautions in Subsection 7.1.1.



### **Damage or Device damage**

1. Perform any removal after the system power is completely disconnected. The cable must not be disconnected and the screws that attach the drive must not be removed with the power ON.
2. Do not move the drive and attach or detach the connector until it comes to a complete stop (about 30 s after the power is turned OFF).
3. Perform the human body grounding to discharge any static electricity from your body. (Be sure to wear a wrist strap)

## 7.5 Spare Disk Drive

See Subsection 1.2.2, "Model and product number," to order a disk drive for replacement or as a spare.

This page is intentionally left blank.



# Glossary

## **Actuator**

Head positioning assembly. The actuator consists of a voice coil motor and head arm. It positions the read-write (R-W) head.

## **AT bus**

A bus between the host CPU and adapter board

## **ATA (AT Attachment) standard**

The ATA standard is for a PC AT interface regulated to establish compatibility between products manufactured by different vendors. Interfaces based on this standard are called ATA interfaces.

## **Command**

Commands are instructions to input data to and output data from a drive. Commands are written in command registers.

## **Connector (Connector Plug: Host system side)**

It means a host receptacle (described in this Glossary), when a drive is connected to a host system without use an interface cable. In case of use an interface cable for connecting to a host system, it means the connector plug which consists of terminals and housing of the cable.

## **Cover**

A lid of DE. It is a metallic part labeled the model name and its revision. This part is attached to the opposite side from PCBA on the disk drive.

## **Data block**

A data block is the unit used to transfer data. A data block normally indicates a single sector.

## **DE**

Disk enclosure. The DE includes the disks, built-in spindle motor, actuator, heads, and air filter. The DE is sealed to protect these components from dust.

## **Host receptacle**

Host receptacle is a connector type on the host system that the signal segment of Serial-ATA unifies with the power supply segment.

### **Master (Device 0)**

The master is the first drive that can operate on the AT bus. The master is daisy-chained with the second drive which can operate in conformity with the ATA standard.

### **MTBF**

Mean time between failures. The MTBF is calculated by dividing the total operation time (total power-on time) by the number of failures in the disk drive during operation.

### **MTTR**

Mean time to repair. The MTTR is the average time required for a service person to diagnose and repair a faulty drive.

### **PIO (Programmed input-output)**

Mode to transfer data under control of the host CPU

### **Positioning**

Sum of the seek time and mean rotational delay

### **Power save mode**

The power save modes are idle mode, standby mode, and sleep mode.

In idle mode, the drive is neither reading, writing, nor seeking data. In standby mode, the spindle motor is stopped and circuits other than the interface control circuit are sleeping. The drive enters sleep mode when the host issues the SLEEP command.

### **Reserved**

Reserved bits, bytes, and fields are set to zero and unusable because they are reserved for future standards.

### **Rotational delay**

Time delay due to disk rotation. The mean delay is the time required for half a disk rotation. The mean delay is the average time required for a head to reach a sector after the head is positioned on a track.

### **Seek time**

The seek time is the time required for a head to move from the current track to another track. The seek time does not include the mean rotational delay.

### **Serial-ATA**

Serial ATA is an extension specification from the current Parallel ATA physical storage interface. The parallel data transfer of Parallel ATA is changed to the serial data transfer in Serial-ATA for obtaining greater data transfer speed.

### **Slave (Device 1)**

The slave is a second drive that can operate on the AT bus. The slave is daisy-chained with the first drive operating in conformity with the ATA standard.

### **Status**

The status is a piece of one-byte information posted from the drive to the host when command execution is ended. The status indicates the command termination state.

### **VCM**

Voice coil motor. The voice coil motor is excited by one or more magnets. In this drive, the VCM is used to position the heads accurately and quickly.

This page is intentionally left blank.

# Acronyms and Abbreviations

<b>A</b>		<b>I</b>	
ABRT	Aborted command	IDNF	ID not found
AIC	Automatic idle control	IRQ14	Interrupt request 14
AMNF	Address mark not found		
ATA	AT attachment	<b>L</b>	
AWG	American wire gage	LED	Light emitting diode
<b>B</b>		<b>M</b>	
BBK	Bad block detected	MB	Mega-byte
BIOS	Basic input-output system	MB/S	Mega-byte per seconds
		MPU	Micro processor unit
<b>C</b>		<b>P</b>	
CORR	Corrected data	PCA	Printed circuit assembly
CH	Cylinder high field	PIO	Programmed input-output
CL	Cylinder low field		
CM	Command field		
CSR	Current sense resistor	<b>R</b>	
CSS	Current start/stop	RLL	Run-length-limited
CY	Cylinder field	RoHS	The Restrictions of the use of certain Hazardous Substances in electrical and electronic equipment
<b>D</b>		<b>S</b>	
dBA	dB A-scale weighting	SA	System area
DE	Disk enclosure	SATA	Serial-ATA
DH	Device/head field	SC	Sector count field
DRDY	Drive ready	SG	Signal ground
DRQ	Data request bit	SN	Sector number field
DSC	Drive seek complete	ST	Status field
DWF	Drive write fault		
<b>E</b>		<b>T</b>	
ECC	Error checking and correction	TPI	Track per inches
ER	Error field	TRONF	Track 0 not found
ERR	Error	Typ	Typical
EU	European Union		
<b>F</b>		<b>U</b>	
FR	Feature field	UNC	Uncorrectable ECC error
<b>H</b>		<b>V</b>	
HA	Host adapter	VCM	Voice coil motor
HDD	Hard disk drive		

This page is intentionally left blank.

# Index

## A

A/D converter circuit ..... 4-12  
AAM ..... 5-125  
acceleration mode ..... 4-19  
acoustic noise ..... 1-11  
active field ..... 5-26  
active idle mode ..... 6-8  
active mode ..... 6-8, 6-11  
actuator ..... 2-2, 4-2  
actuator motor control ..... 4-18  
adaptability ..... 1-2  
advanced power management ..... 1-14, 1-15  
advanced power management ..... 5-123  
AGC circuit ..... 4-11  
air circulation system ..... 2-3  
air filter ..... 4-3  
ambient temperature ..... 3-6  
APM ..... 1-14, 5-123  
area, service ..... 3-7  
attribute ID ..... 5-60  
attribute value  
    current ..... 5-61  
    raw ..... 5-61  
    worst case ..... 5-61  
automatic acoustic management ..... 5-125  
average positioning time ..... 1-2

## B

BIST active - bidirectional ..... 5-18  
blower ..... 4-3  
blower effect ..... 2-3  
breather, location of ..... 3-5  
burst even1 ..... 4-17  
burst even2 ..... 4-17  
burst odd ..... 4-17  
busy (BSY) bit ..... 5-25

## C

cache  
    read-ahead ..... 6-13  
    write ..... 6-20  
cache operation ..... 6-20  
cached data, invalidation of ..... 6-20  
caching  
    command for ..... 6-14, 6-20  
    data for ..... 6-14

    caching data, invalidating ..... 6-15  
    caching operation ..... 6-14  
    capability, off-line data collection ..... 5-63  
    cashing function at power-on ..... 6-21  
    caution, handling ..... 3-7  
    CHECK POWER MODE ..... 5-52  
    checksum ..... 5-64, 5-66, 5-68  
circuit  
    controller ..... 2-3  
    read/write ..... 2-3  
circuit configuration ..... 4-3, 4-5  
circulation filter ..... 2-3  
CN1 ..... 3-10  
code  
    command ..... 5-27, 5-172  
    diagnostic ..... 5-41  
command code ..... 5-27, 5-172  
command code and parameter ..... 5-27  
command data structure ..... 5-66  
command description ..... 5-30  
command execution, status after ..... 5-22  
command field ..... 5-26  
command for caching ..... 6-14, 6-20  
command processing during self-  
    calibration ..... 4-9  
command protocol ..... 5-174  
    DMA data-in ..... 5-181  
    DMA data-out ..... 5-182  
    native queued ..... 5-183  
    non-data ..... 5-175, 5-176  
    PIO data-in ..... 5-177  
    PIO data-out ..... 5-179  
command, host ..... 5-27  
command, power ..... 6-10  
communication layer ..... 5-12  
compact ..... 1-2  
compensating open loop gain ..... 4-8  
COMRESET ..... 5-186  
COMRESET preservation  
    requirement ..... 6-5  
COMRESET response ..... 6-21  
COMRESET sequence ..... 5-187  
COMRESET, response to ..... 6-4  
conceptual layer, conceptual diagram ..... 5-11  
condition, installation ..... 3-1  
configuration  
    device ..... 2-1, 2-2  
    drive system ..... 2-3  
    system ..... 2-3

- connection
    - drive ..... 2-3
  - connection to SATA interface ..... 1-3
  - connection with host system ..... 3-9
  - connector location ..... 3-9
  - connector pinout ..... 5-7
  - connector specification
    - host system ..... 3-10
  - connector, device ..... 3-9
  - controller circuit ..... 2-3, 4-4
  - current and power dissipation ..... 1-9
  - current attribute value ..... 5-61
  - current fluctuation (Typ.) at +5 V
    - when power is turned on ..... 1-10
  - current LBA under test ..... 5-69
  - current requirements and power
    - dissipation ..... 1-9
  - current span under test ..... 5-70
  - cylinder high field ..... 5-24
  - cylinder low field ..... 5-23
- D**
- D/A converter (DAC) ..... 4-14
  - data - host to device or device to host
    - (bidirectional) ..... 5-19
  - data area ..... 4-15
  - data assurance in the event of power
    - failure ..... 1-13
  - data buffer ..... 1-3
  - data buffer structure ..... 6-13
  - data for caching ..... 6-14
  - data format of
    - device attribute value ..... 5-59
    - guarantee failure threshold value ..... 5-59
    - READ LOG EXT log page 10h ..... 5-149, 5-150
    - SMART comprehensive error log ..... 5-67
    - SMART summary error log ..... 5-65
  - data format version number ..... 5-60
  - data request (DRQ) bit ..... 5-25
  - data transfer mode ..... 5-122
  - data-surface servo format ..... 4-15
  - DE ..... 2-3
  - device attribute value, data format of ..... 5-59
  - device configuration ..... 2-1, 2-2
  - DEVICE CONFIGURATION ..... 5-84
  - DEVICE CONFIGURATION
    - FREEZE LOCK ..... 5-85
  - DEVICE CONFIGURATION
    - IDENTIFY ..... 5-86
  - DEVICE CONFIGURATION
    - IDENTIFY data structure ..... 5-87, 5-88
  - DEVICE CONFIGURATION
    - RESTORE ..... 5-85
  - DEVICE CONFIGURATION SET ..... 5-86
  - device connector ..... 3-9
  - device control field ..... 5-26
  - device overview ..... 1-1
  - device ready (DRDY) bit ..... 5-25
  - device seek complete (DSC) bit ..... 5-25
  - device specification ..... 1-5
  - device write fault (DF) bit ..... 5-25
  - device/head field ..... 5-24
  - device-initiated interface power
    - management ..... 1-16
  - device-initiated power management
    - interface ..... 1-16
  - diagnosis ..... 6-2, 7-1
  - diagnostic code ..... 5-22, 5-41
  - diagnostic test ..... 7-11
  - digital PLL circuit ..... 4-12
  - dimension ..... 3-2
  - DIPM ..... 1-16
  - disk ..... 2-2, 4-2
  - disk drive overview ..... 2-2
  - disk drive removal procedure ..... 7-15
  - disk drive revision number ..... 7-6
  - disk drive revision number label ..... 7-6
  - disk enclosure ..... 2-3
  - display of disk drive revision number ..... 7-7
  - disposition for error field content ..... 7-10
  - DMA active - device to host ..... 5-16
  - DMA buffer offset field ..... 5-26
  - DMA data-in command protocol ..... 5-181
  - DMA data-out command protocol ..... 5-182
  - DMA setup - device to host or host to
    - device (bidirectional) ..... 5-17
  - DMA transfer count field ..... 5-26
  - DOWNLOAD MICROCODE ..... 5-43
  - DOWNLOAD MICROCODE
    - operation ..... 5-44
  - drive connection ..... 2-3
  - drive error logging capability ..... 5-64
  - drive system configuration ..... 2-3
  - driver circuit ..... 4-15
  - driving ready LED ..... 5-8
- E**
- E\_status field ..... 5-26
  - effect, blower ..... 2-3
  - electrical specification ..... 5-6
  - enabling and disabling ..... 6-21
  - environmental protection ..... 1-2
  - environmental specification ..... 1-10
  - error (ERR) bit ..... 5-25
  - error correction and retry by ECC ..... 1-4
  - error data structure ..... 5-66
  - error field ..... 5-22



- error logging capability ..... 5-64  
error posting ..... 5-172  
error rate ..... 1-13  
example of model name and product  
  number ..... 1-6  
EXECUTE DEVICE DIAGNOSTIC ..... 5-41  
execution example of READ  
  MULTIPLE command ..... 5-90  
execution timing of self-calibration ..... 4-9
- ### F
- failure prediction capability flag ..... 5-63  
feature ..... 1-2  
feature flag ..... 5-70  
features field ..... 5-23  
  function ..... 5-55  
  value ..... 5-55  
features field =  
  01h ..... 5-138  
  02h ..... 5-140  
  03h ..... 5-141  
  04h ..... 5-142  
  C0h ..... 5-85  
  C1h ..... 5-85  
  C2h ..... 5-86  
  C3h ..... 5-86  
features field value ..... 5-119  
field troubleshooting ..... 7-13  
filter  
  circulation ..... 2-3  
FIR circuit ..... 4-12  
FIS type ..... 5-14  
flag  
  failure prediction capability ..... 5-63  
  status ..... 5-61  
FLUSH CACHE ..... 5-101  
FLUSH CACHE EXT ..... 5-171  
FR = D5 ..... 5-152  
FR = D5h ..... 5-72, 5-82  
FR = D6 ..... 5-76  
FR = D6h ..... 5-83  
frame ..... 3-3  
frame information structure (FIS),  
  outline of ..... 5-14  
frame structure, mounting ..... 3-4  
frequency characteristic of  
  programmable filter ..... 4-11  
FSN = E0h ..... 5-161  
full hit ..... 6-18  
function and performance ..... 1-2
- ### G
- gray code ..... 4-17
- guarantee failure threshold ..... 5-64  
guarantee failure threshold value,  
  data format of ..... 5-59
- ### H
- handling caution ..... 3-7  
head ..... 2-2  
high resistance against shock ..... 1-3  
high-speed transfer rate ..... 1-2  
HIPM ..... 1-16  
hit  
  full ..... 6-18  
  partial ..... 6-19  
  sequential ..... 6-17  
host command ..... 5-27  
host system  
  connection ..... 3-9  
host system connector specification ..... 3-10  
host-initiated interface power  
  management ..... 1-16  
host-initiated power management  
  interface ..... 1-16  
hot plug ..... 5-10
- ### I
- ID, attribute ..... 5-60  
identifier and security level,  
  relationship between ..... 5-126  
IDENTIFY DEVICE ..... 5-103  
IDENTIFY DEVICE command,  
  information to be read by ..... 5-105  
IDENTIFY DEVICE DMA ..... 5-104  
IDLE ..... 5-50  
IDLE IMMEDIATE ..... 5-47  
improved resistance against  
  rotational vibration ..... 1-3  
information to be read by IDENTIFY  
  DEVICE command ..... 5-105  
INITIALIZE DEVICE  
  PARAMETERS ..... 5-42  
inner guard band ..... 4-15  
input voltage ..... 1-7  
installation ..... 3-8  
installation condition ..... 3-1  
interface ..... 5-1  
  logical ..... 5-11  
  physical ..... 5-2  
  SATA ..... 2-3  
interface ..... 1-3  
interface power management ..... 1-16, 1-17  
interface signal ..... 5-2  
invalidating caching data ..... 6-15  
invalidation of cached data ..... 6-20

- IPM..... 1-16
- L**
- large capacity..... 1-2  
 layer, communication ..... 5-12  
 limitation of mounting..... 3-4  
 load/unload function..... 1-13  
 location of breather..... 3-5  
 location, connector ..... 3-9  
 lock function, operation of ..... 5-126  
 log directory data format ..... 5-64  
 logical interface ..... 5-11  
 low noise and vibration ..... 1-3  
 low power idle mode ..... 6-8
- M**
- maintenance..... 7-1, 7-2  
 maintenance level ..... 7-5  
 maintenance requirement ..... 7-3  
 master password ..... 5-128  
 mean time between failure (MTBF)..... 1-12  
 mean time to repair (MTTR) ..... 1-12  
 measurement point, surface  
   temperature ..... 3-6  
 media defect ..... 1-13  
 microcode data, example of rewriting..... 5-45  
 microprocessor unit (MPU)..... 4-14  
 miss-hit ..... 6-16  
 mode  
   active..... 6-8, 6-11  
   active idle..... 6-8  
   low power idle ..... 6-8  
   partial ..... 6-11  
   power save ..... 6-8  
   settable ..... 5-119  
   sleep ..... 6-9  
   slumber ..... 6-12  
   standby ..... 6-9  
 model and product number..... 1-6  
 motor  
   spindle..... 2-2  
 mounting..... 3-3  
 mounting frame structure ..... 3-4  
 mounting limitation ..... 3-4
- N**
- native queued command protocol..... 5-183  
 non-data command protocol..... 5-175, 5-176
- O**
- off-line data collection capability ..... 5-63  
 off-line data collection status ..... 5-61, 5-62
- operation ..... 6-1  
   cache..... 6-20  
   caching ..... 6-14  
   DOWNLOAD MICROCODE ..... 5-44  
 operation confirmation..... 7-11  
 operation mode ..... 5-165  
 operation test..... 7-11  
 operation to move head to reference  
   cylinder ..... 4-18  
 orientation ..... 3-3  
 out of band signaling ..... 5-4  
 outer guard band ..... 4-15  
 overview, disk drive ..... 2-2  
 outline ..... 4-2  
 outline of  
   frame information structure (FIS) ..... 5-14  
   shadow block register..... 5-13
- P**
- P11 function..... 5-8  
 PAD ..... 4-17  
 parameter ..... 5-27, 5-172  
 partial hit..... 6-19  
 partial mode ..... 6-11  
 password  
   master ..... 5-128  
   user ..... 5-128  
 physical Interface..... 5-2  
 physical sector servo configuration  
   on disk surface ..... 4-16  
 pinout, connector ..... 5-7  
 PIO data-in command protocol... 5-177, 5-178  
 PIO data-out command  
   protocol ..... 5-179, 5-180  
 PIO setup – device to host ..... 5-19  
 positioning error..... 1-13  
 post code ..... 4-17  
 power amplifier..... 4-14  
 power command..... 6-10  
 power management  
   interface..... 1-16, 1-17  
 power requirement ..... 1-7  
 power save ..... 6-8  
 power save controlled by interface  
   power management (IPM) ..... 6-11  
 power save mode ..... 1-2, 6-8  
 power save mode of interface ..... 6-11  
 power supply configuration ..... 4-4  
 power supply pin..... 3-10  
 power supply segment ..... 3-10  
 power-on caching function ..... 6-21  
 power-on reset ..... 5-186  
 power-on sequence ..... 4-6, 4-7, 5-186  
 power-on, response to ..... 6-2

primitive mnemonic ..... 5-5  
programmable filter circuit ..... 4-11  
protocol, command..... 5-174

**R**

raw attribute value..... 5-61  
READ BUFFER..... 5-100  
read circuit..... 4-11  
READ DMA ..... 5-96  
READ DMA EXT..... 5-144  
READ FP DMA QUEUED..... 5-168  
READ FP DMA QUEUED  
    command protocol..... 5-184  
READ LOG DMA EXT..... 5-166  
READ LOG EXT..... 5-147  
READ LOG EXT log page 10h,  
    data format of ..... 5-149, 5-150  
READ MULTIPLE ..... 5-89  
READ MULTIPLE command,  
    execution example of..... 5-90  
READ MULTIPLE EXT ..... 5-146  
READ NATIVE MAX ADDRESS ..... 5-136  
READ NATIVE MAX ADDRESS  
    EXT ..... 5-145  
READ SECTOR (S) EXT ..... 5-143  
READ SECTOR(S)..... 5-32  
read segment buffer, using ..... 6-16  
READ VERIFY SECTOR (S) EXT ..... 5-163  
READ VERIFY SECTOR(S) ..... 5-38  
read/write circuit ..... 2-3, 4-3, 4-10  
read/write circuit block diagram ..... 4-10  
read/write preamplifier (PreAMP) ..... 4-10  
read-ahead cache ..... 6-13  
read-ahead cache system ..... 1-3  
RECALIBRATE ..... 5-31  
recommended equipment ..... 3-8  
recommended power-off sequence ..... 1-14  
register - device to host ..... 5-16  
register - host to device ..... 5-15  
reliability ..... 1-12  
reset ..... 6-2  
reset response ..... 6-21  
reset, power-on and COMRESET ..... 5-186  
response to COMRESET ..... 6-4  
response to power-on ..... 6-2  
response to software reset ..... 6-7  
rewriting microcode data (640 K  
    bytes ), example of ..... 5-45  
ripple ..... 1-7  
rule for maintenance..... 7-2

**S**

SATA interface ..... 2-3

SATA interface cable connection..... 3-11  
SCT COMMAND SET ..... 5-76, 5-161  
SCT READ DATA..... 5-82, 5-152  
SCT STATUS REQUEST..... 5-72, 5-151  
SCT WRITE DATA ..... 5-83, 5-162  
sector count field ..... 5-23  
sector number field ..... 5-23  
SECURITY DISABLE PASSWORD... 5-134  
SECURITY ERASE PREPARE ..... 5-130  
SECURITY ERASE UNIT ..... 5-131  
SECURITY FREEZE LOCK ..... 5-132  
security password, content of ..... 5-134  
SECURITY SET PASSWORD..... 5-126  
SECURITY SET PASSWORD data,  
    contents of..... 5-126  
SECURITY UNLOCK..... 5-128  
SEEK ..... 5-40  
seek operation..... 4-18  
selective self-test feature flag ..... 5-70  
selective self-test log data structure..... 5-69  
selective self-test pending time [min]..... 5-70  
self-calibration..... 4-8  
self-calibration content ..... 4-8  
self-diagnosis..... 1-4  
self-diagnostics ..... 7-8  
self-test execution status..... 5-62, 5-68  
self-test index ..... 5-68  
self-test number ..... 5-68  
sensing and compensating for  
    external force ..... 4-8  
sequential hit..... 6-17  
serial ATA function ..... 5-124  
service area ..... 3-7  
service life ..... 1-12  
servo burst capture circuit ..... 4-14  
servo circuit ..... 4-3  
servo control ..... 4-13  
servo control circuit..... 4-13  
servo frame format ..... 4-17  
servo mark ..... 4-17  
set device bits – device to host ..... 5-21  
SET FEATURES..... 5-119  
SET MAX..... 5-137  
SET MAX ADDRESS ..... 5-137  
SET MAX ADDRESS EXT..... 5-155  
SET MAX FREEZE LOCK ..... 5-142  
SET MAX LOCK..... 5-140  
SET MAX SET PASSWORD..... 5-138  
SET MAX UNLOCK ..... 5-141  
SET MULTIPLE MODE ..... 5-94  
settable mode..... 5-119  
shadow block register ..... 5-22  
shadow block register, outline of..... 5-13  
shock and vibration..... 1-11

shock and vibration specification ..... 1-11  
 signal interface regulation ..... 5-4  
 signal segment ..... 3-10  
 signal, interface ..... 5-2  
 SLEEP ..... 5-53  
 sleep mode ..... 6-9  
 slope of an input voltage at rise ..... 1-7  
 slumber mode ..... 6-12  
 SMART ..... 5-54  
 SMART command transport (SCT) ..... 5-70  
 SMART comprehensive error log,  
   data format of ..... 5-67  
 SMART error logging ..... 5-65  
 SMART self-test ..... 5-67  
 SMART self-test log data format ..... 5-68  
 SMART summary error log, data  
   format of ..... 5-65  
 SN = E0h ..... 5-72, 5-76, 5-151  
 SN = E1h ..... 5-82, 5-83, 5-152, 5-162  
 software reset (SRST) ..... 5-26  
 software reset response ..... 6-21  
 software reset, response to ..... 6-7  
 software settings preservation ..... 6-5  
 spare disk drive ..... 7-15  
 specification ..... 1-5  
 specification summary ..... 1-5  
 spindle ..... 4-2  
 spindle motor ..... 2-2  
 spindle motor control ..... 4-19  
 spindle motor control circuit ..... 4-14  
 spindle motor driver circuit ..... 4-3  
 stable rotation mode ..... 4-19  
 staggered spin-up ..... 5-8  
 standard value, surface temperature ..... 3-6  
 STANDBY ..... 5-49  
 STANDBY IMMEDIATE ..... 5-46  
 standby mode ..... 6-9  
 start mode ..... 4-19  
 status ..... 5-67  
 status after command execution ..... 5-22  
 status field ..... 5-25  
 status field content ..... 7-10  
 status flag ..... 5-61  
 status report on error occurrence ..... 6-21  
 status, off-line data collection ..... 5-61  
 structure, data buffer ..... 6-13  
 subassembly ..... 4-2  
 subcommand ..... 5-55  
 surface temperature measurement  
   point ..... 3-6  
 surface temperature standard value ..... 3-6  
 system configuration ..... 2-3  
 system level ..... 7-13

**T**

tag field information ..... 5-149, 5-150  
 temperature, ambient ..... 3-6  
 temperature, operating ..... 1-3  
 test ..... 7-8  
 test equipment ..... 7-8  
 test flowchart ..... 7-9  
 test span ..... 5-69  
 theory of device operation ..... 4-1  
 tool ..... 7-8  
 total number of drive error ..... 5-66  
 track following operation ..... 4-18  
 troubleshooting at factory ..... 7-14  
 troubleshooting disk drive replaced  
   in field ..... 7-12  
 troubleshooting procedure ..... 7-12

**U**

UNLOAD IMMEDIATE ..... 5-47  
 unrecoverable read error ..... 1-13  
 user password ..... 5-128  
 using read segment buffer ..... 6-16

**V**

VCM current sense resistor (CSR) ..... 4-15  
 viterbi detection circuit ..... 4-12

**W**

worst case attribute value ..... 5-61  
 WRITE BUFFER ..... 5-102  
 write cache ..... 1-4, 6-20  
 write circuit ..... 4-10  
 WRITE DMA ..... 5-98  
 WRITE DMA EXT ..... 5-154  
 WRITE DMA FUA EXT ..... 5-158  
 WRITE FP DMA QUEUED ..... 5-169  
 WRITE FP DMA QUEUED  
   command protocol ..... 5-185  
 WRITE LOG DMA EXT ..... 5-167  
 WRITE LOG EXT ..... 5-159  
 WRITE MULTIPLE ..... 5-92  
 WRITE MULTIPLE EXT ..... 5-157  
 WRITE MULTIPLE FUA EXT ..... 5-170  
 write precompensation ..... 4-10  
 WRITE SECTOR (S) EXT ..... 5-153  
 WRITE SECTOR(S) ..... 5-34  
 WRITE UNCORRECTABLE EXT ..... 5-164  
 WRITE VERIFY ..... 5-36  
 write/read recovery ..... 4-17  
 write-read-verify feature ..... 5-125

# Comment Form

We would appreciate your comments and suggestions regarding this manual.

Manual code	C141-E269-01EN		
Manual name	MHY2200BS, MHY2160BS, MHY2120BS, MHY2100BS, MHY2080BS, MHY2060BS, MHY2040BS DISK DRIVES PRODUCT/MAINTENANCE MANUAL		
Please mark each item: E(Excellent), G(Good), F(Fair), P(Poor).			
General appearance	(    )	Illustration	(    )
Technical level	(    )	Glossary	(    )
Organization	(    )	Acronyms & Abbreviations	(    )
Clarity	(    )	Index	(    )
Accuracy	(    )		
Comments & Suggestions			

List any errors or suggestions for improvement.

Page	Line	Contents

Please send this form to the address below. We will use your comments in planning future editions.

Address: Fujitsu Learning Media Limited  
 37-10 Nishikamata 7-chome  
 Oota-ku  
 Tokyo 144-0051  
 JAPAN

Fax: 81-3-3730-3702

Organization: \_\_\_\_\_

Name: \_\_\_\_\_

C141-E269-01EN

This page is intentionally left blank.

---

**MHY2200BS, MHY2160BS, MHY2120BS, MHY2100BS,  
MHY2080BS, MHY2060BS, MHY2040BS  
DISK DRIVES PRODUCT/MAINTENANCE MANUAL**

**C141-E269-01EN**

---

**MHY2200BS, MHY2160BS, MHY2120BS, MHY2100BS,  
MHY2080BS, MHY2060BS, MHY2040BS  
DISK DRIVES PRODUCT/MAINTENANCE MANUAL**

**C141-E269-01EN**







FUJITSU

## Free Manuals Download Website

<http://myh66.com>

<http://usermanuals.us>

<http://www.somanuals.com>

<http://www.4manuals.cc>

<http://www.manual-lib.com>

<http://www.404manual.com>

<http://www.luxmanual.com>

<http://aubethermostatmanual.com>

Golf course search by state

<http://golfingnear.com>

Email search by domain

<http://emailbydomain.com>

Auto manuals search

<http://auto.somanuals.com>

TV manuals search

<http://tv.somanuals.com>