

## STANDARD KEYBOARD

# ULTRA LOW PROFILE NOTEBOOK KEYBOARD (87 Keys-USA)

## FKB7614 SERIES



### ■ FEATURES

- 6.1 mm (0.240 in.) total height, 3.0 mm (0.118 in.) stroke, 19 mm (0.748in.) pitch
- Suitable design for A4 size: 286 mm (11.25 in.)(W) × 110 mm (4.33 in.)(D) × 6.1 mm (0.224in.)(H)
- Supports Windows®95 keyboard function
- Excellent operation
  - Unique “Gear link” method offers comfortable key touch feeling
  - 3.0 mm (0.118 in.) keystroke, 55 g operating force (1.936 oz.), 20 g (0.704 oz.) tactile response
  - Soft tactile feedback
- Various language versions (87-keys: USA, 88-keys: Europe)
- High quality and reliability
- Laser printed keycaps meet environmental requirements
- Evaluation kit available

### ■ MAIN APPLICATIONS

- Notebook type personal computer
- Workstation

### ■ CONSTRUCTION

- Keyboard unit (without enclosure and microcontroller)

# FKB7614 SERIES

## ■ SPECIFICATIONS

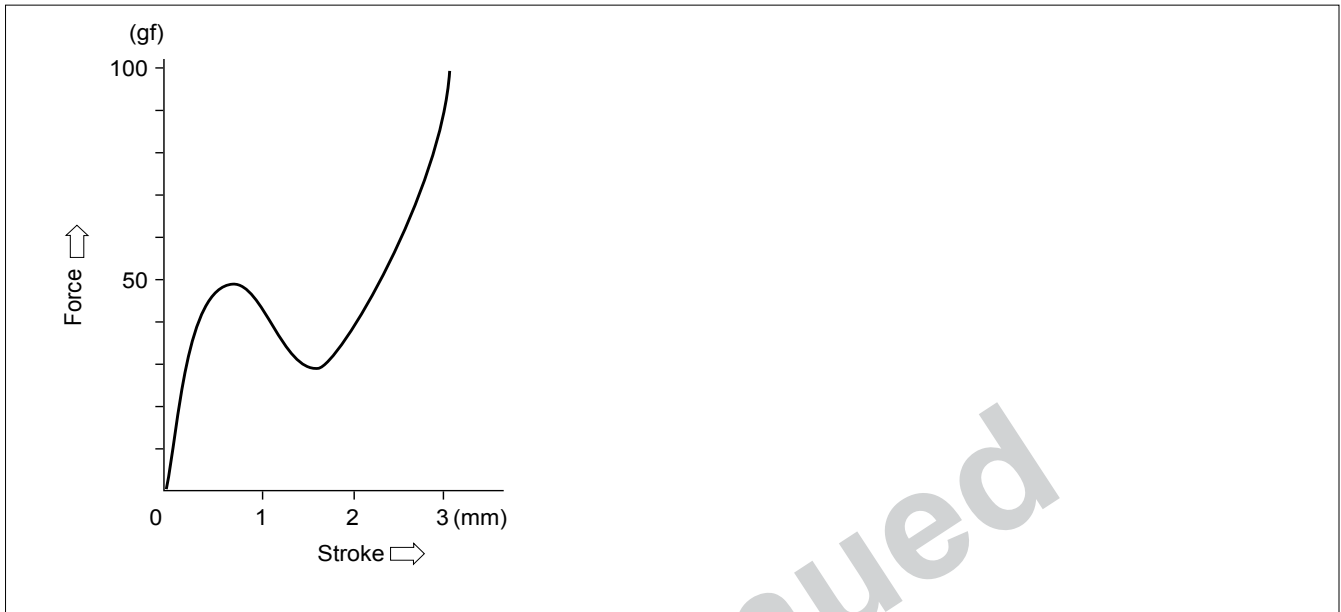
Item		Specification		
		FKB7614-101	FKB7614-10X	FKB7614-161
Mechanical	Number of Keys	87	88	92
	Key Switch Type	Membrane switch		
	Keytop	Rectangular cylindrical		
	Operating Force	50 gf $\pm$ 25 gf (1.760 $\pm$ 0.88 oz.)		
	Stroke	3.0 mm $\pm$ 0.5 mm (0.118 in. $\pm$ 0.019 in.)		
	Tactile	20 gf typ. (0.704 oz.), Soft type		
	Height	6.1 mm (0.240 in.)		
	Operating Life	10 M operations minimum		
Electrical	Interface	Row and column matrix		
	Contact Resistance	1 K ohm maximum at 5 V DC		
	Key Switch Bounce	10 ms maximum		
Environment	Operating Temperature	0 to 50°C		
	Storage Temperature	-20 to 60°C		
	Humidity	90% RH maximum at +40°C maximum inversely proportional change to 50% RH		

## ■ PART NUMBER

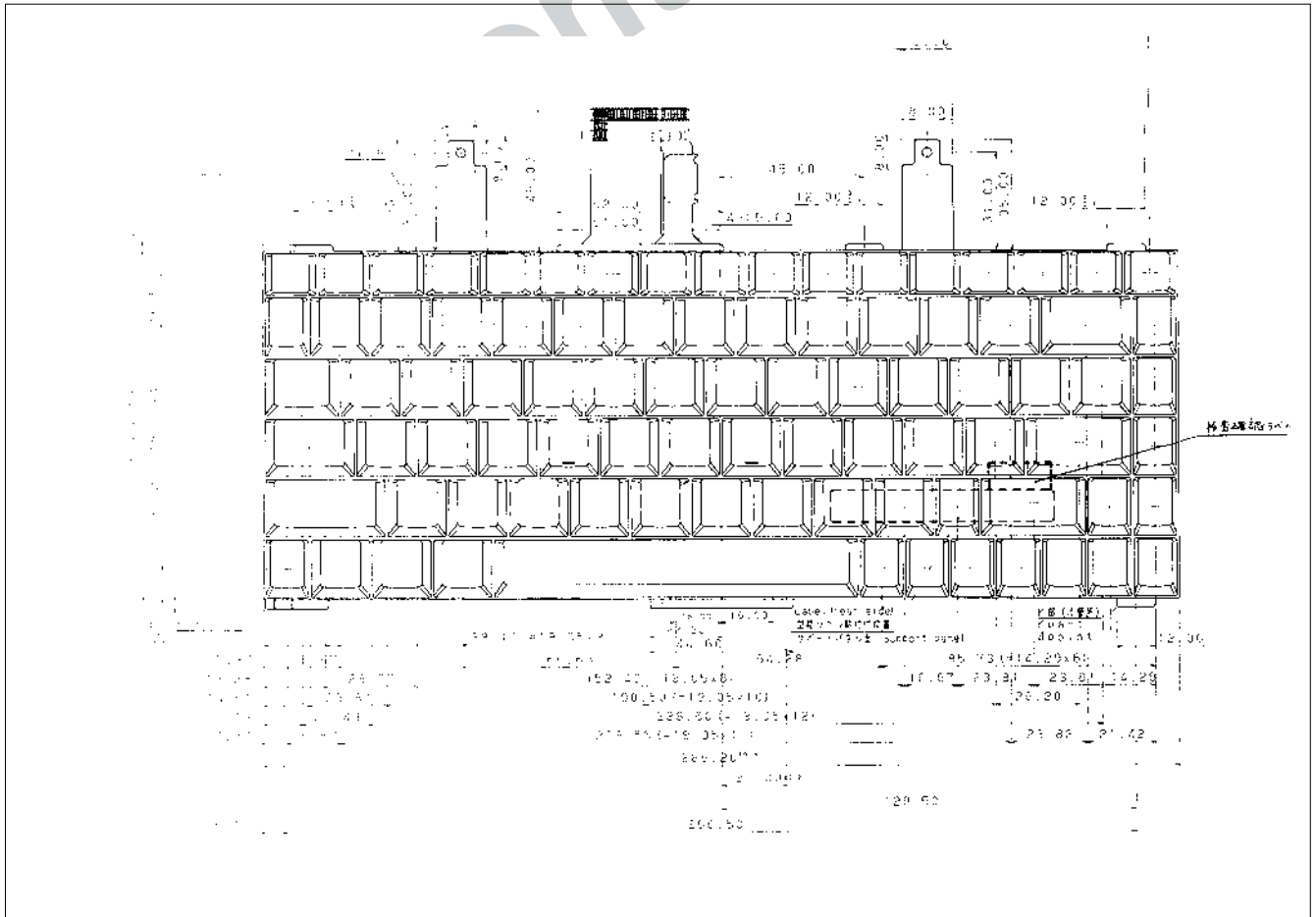
Part Number	Number of Keys	Key Arrangement
FKB7614-101	87	U.S. English
FKB7614-102		U.K. English
FKB7614-103		German
FKB7614-104		French
FKB7614-105		Italian
FKB7614-106		Spanish
FKB7614-107		Swedish
FKB7614-108		Swiss
FKB7614-161	92	Japanese

# FKB7614 SERIES

## ■ OPERATING FORCE AND TRAVEL CHARACTERISTICS

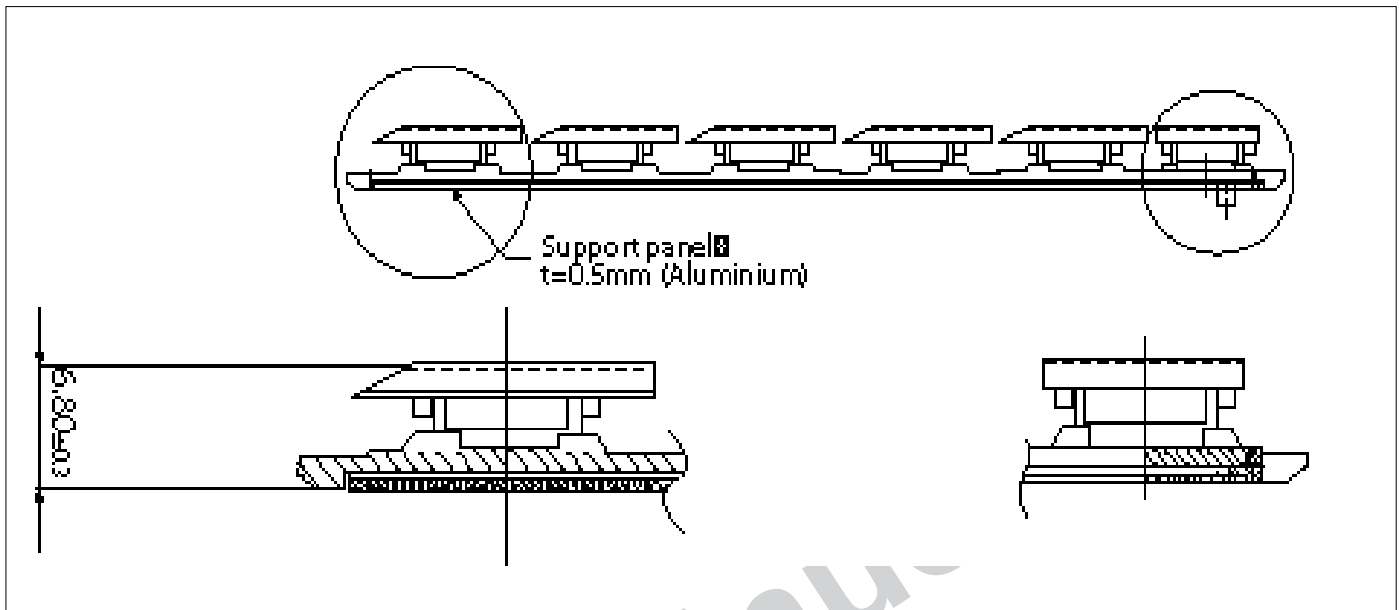


## ■ DIMENSIONS



# FKB7614 SERIES

## ■ KEY PROFILE



## Fujitsu Components International Headquarter Offices

### Japan

Fujitsu Component Limited  
Gotanda-Chuo Building  
3-5, Higashigotanda 2-chome, Shinagawa-ku  
Tokyo 141, Japan  
Tel: (81-3) 5449-7010  
Fax: (81-3) 5449-2626  
Email: [promothq@ft.ed.fujitsu.com](mailto:promothq@ft.ed.fujitsu.com)  
Web: [www.fcl.fujitsu.com](http://www.fcl.fujitsu.com)

### North and South America

Fujitsu Components America, Inc.  
250 E. Caribbean Drive  
Sunnyvale, CA 94089 U.S.A.  
Tel: (1-408) 745-4900  
Fax: (1-408) 745-4970  
Email: [components@us.fujitsu.com](mailto:components@us.fujitsu.com)  
Web: <http://www.fujitsu.com/us/services/edevices/components/>

### Europe

Fujitsu Components Europe B.V.  
Diamantlaan 25  
2132 WV Hoofddorp  
Netherlands  
Tel: (31-23) 5560910  
Fax: (31-23) 5560950  
Email: [info@fceu.fujitsu.com](mailto:info@fceu.fujitsu.com)  
Web: [emea.fujitsu.com/components/](http://emea.fujitsu.com/components/)

### Asia Pacific

Fujitsu Components Asia Ltd.  
102E Pasir Panjang Road  
#01-01 Citilink Warehouse Complex  
Singapore 118529  
Tel: (65) 6375-8560  
Fax: (65) 6273-3021  
Email: [fcal@fcal.fujitsu.com](mailto:fcal@fcal.fujitsu.com)  
Web: <http://www.fujitsu.com/sg/services/micro/components/>

©2006 Fujitsu Components America, Inc. All rights reserved. All trademarks or registered trademarks are the property of their respective owners.

Fujitsu Components America or its affiliates do not warrant that the content of datasheet is error free. In a continuing effort to improve our products Fujitsu Components America, Inc. or its affiliates reserve the right to change specifications/datasheets without prior notice.  
Rev. June7/2006

## Free Manuals Download Website

<http://myh66.com>

<http://usermanuals.us>

<http://www.somanuals.com>

<http://www.4manuals.cc>

<http://www.manual-lib.com>

<http://www.404manual.com>

<http://www.luxmanual.com>

<http://aubethermostatmanual.com>

Golf course search by state

<http://golfingnear.com>

Email search by domain

<http://emailbydomain.com>

Auto manuals search

<http://auto.somanuals.com>

TV manuals search

<http://tv.somanuals.com>