

24V DRIVEN, FTP-607 Series

2" HIGH SPEED THERMAL PRINTER

FTP-627MCL353/354 #01 / #02

■ OVERVIEW

The FTP-627 MCL Series are 24V driven high-speed printers with a 2-inch paper width equivalent.

The FTP-627 MCL Series can be used for a variety of applications, such as portable terminals, POS, banking terminals, and measurement and medical equipment.

■ HIGHLIGHTS

- **Ultra compact**
Height 26.4 mm, width 83.5 mm, depth 43.0 mm
- **High speed printing**
It can print at 100 mm/s (800 dotlines/s) maximum by using Fujitsu's unique head drive control.
- **Auto Cutter**
Full cut type (#01) and partial cut type (#02) printers are available.
- **Easy paper setting**
Our unique platen release mechanism allows a wide paper route even if the printer is ultra-compact, so paper can be easily inserted. Conventional auto loading is also available.



FTP-627MCL354

■ PART NUMBERS

| | Part Number |
|-------------------------------|--|
| Printer mechanism with Cutter | FTP-627MCL353#01 (front paper insertion, full cut type) FTP-627MCL353#02 (front paper insertion, partial cut type) FTP-627MCL354#01 (bottom paper insertion, full cut type without knob) FTP-627MCL354#02 (bottom paper insertion, partial cut type without knob) |
| LSI for driving | FTP-627CU201 (ANK only) |

Note: #01 is for full cut, #02 is for partial cut

■ SPECIFICATIONS

| Item | Specifications |
|--|---|
| Part number | FTP-627MCL353 #01/#02 / FTP-627MCL354#01/#02 |
| Printing method | Thermal-line dot method |
| Dot structure | 384 dots/line |
| Dot pitch (Horizontal) | 0.125 mm (8 dots/mm)—Dot density |
| Dot pitch (Vertical) | 0.125 mm (8 dots/mm)—Line feed pitch |
| Effective printing area | 48 mm |
| Number of columns | ANK 32 columns/line (maximum 12 x 24 dot font) |
| Paper width | 58 mm |
| Paper thickness | 60 to 80 μ m (some paper in this range may not be used because of paper characteristics) |
| Printing Speed | Maximum 100mm/sec. (800 dot line/sec.) |
| Character types | Alphanumeric, kana: 159 types International characters: 195 types JIS Kanji (Kanji CG loaded board): about 6800 types |
| Character, dimensions (W×H), number of columns | 12 × 24 dots, (1.5 × 3.0 mm), 32 columns: ANK 24 × 24 dots, (3.0 × 3.0 mm), 16 columns: ANK 8 × 16 dots, (1.0 × 2.0 mm), 48 columns: ANK 16 × 16 dots, (2.0 × 2.0 mm), 24 columns: ANK |

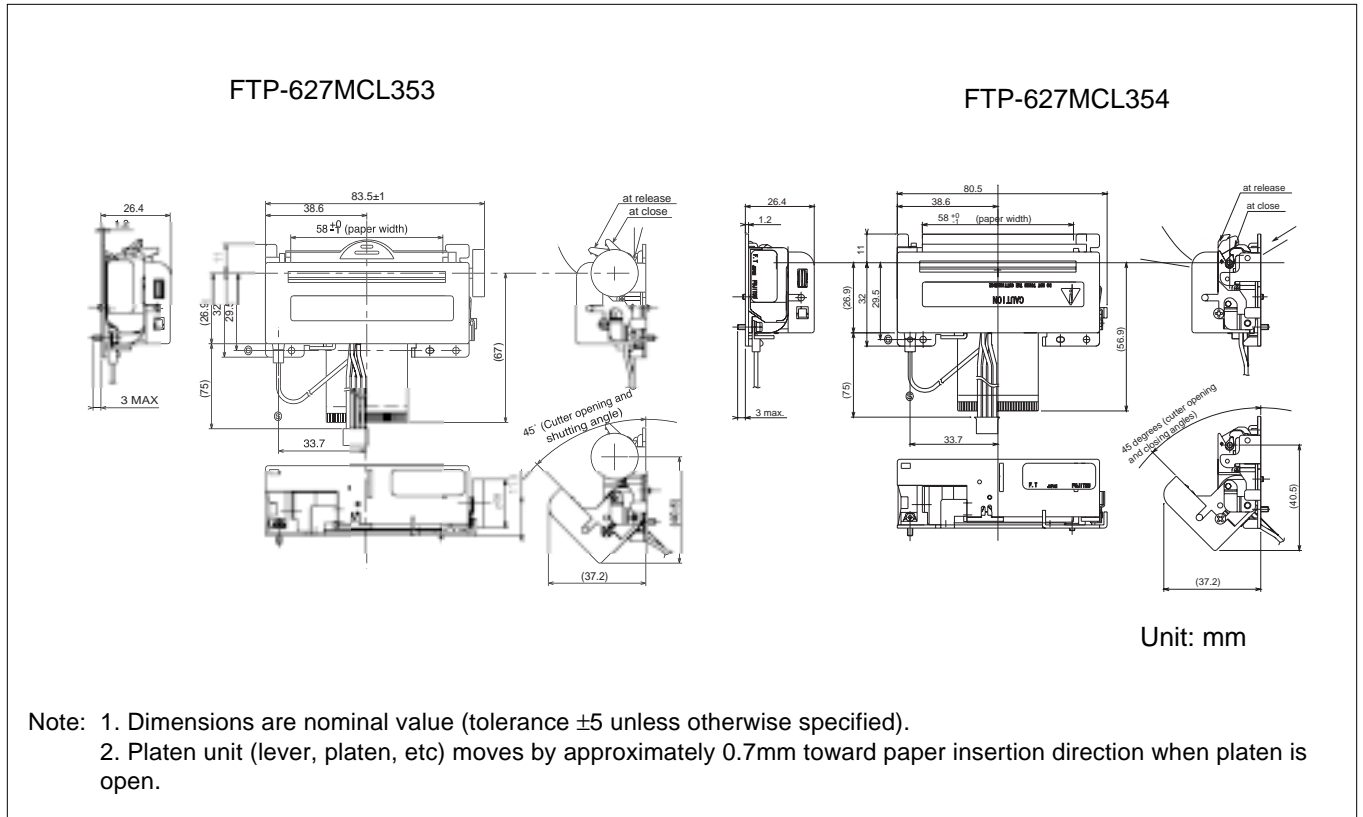
■ SPECIFICATIONS

| Item | | Specification |
|-------------------------------------|----------------------------|--|
| Interface | | Conforms to RS232C / Centronics |
| Power supply | For print head | 24 VDC average current, 1.5A (2.2A peak) (print ratio: 25%, print speed: 100mm/sec.) |
| | For motor | 24 VDC \pm 5%, 1A maximum |
| | For cutter | 5 VDC \pm 5%, 1A maximum |
| | For logic | 5 VDC \pm 5%, 0.1 A maximum |
| Dimensions | Mechanism with cutter | 83.5 x 43.0 x 26.4 mm (WxDxH) |
| Weight | Mechanism with cutter | Approximately 120g |
| Life | Head | Pulse resistance: 50 million pulses/dot (under our standard conditions); Abrasion resistance: paper traveling distance 50km (print ratio: 25% or less) |
| | Cutter | 300,000 cuts |
| Operating environment | Operating temperature* | 0° C to 50° C |
| | Operating humidity | 20 to 85% RH (no condensation) |
| | Storage temperature | -20° C to +60° C (paper not included) |
| | Storage humidity | 5 to 95% RH (no condensation) |
| Detection function | Head temperature detection | Detected by thermistor |
| | Paper out/mark detection | Detected by photo-interrupter |
| | Platen release | Detected by sliding switch |
| Recommended thermal sensitive paper | | High Sensitive Paper TF50KS-E4 (Nippon Paper) |
| | | Standard paper: TF60KS-E(Nippon Paper), FTP-020PU001 (58mm), PD105R (Oji Paper), FTP-020P0701 (58mm) |
| | | Medium Life Paper TF60KS-F1, FTP-020P0102 (58mm), PD170R (Oji Paper), P220VBB-1 Mitsubishi Paper) |
| | | Long Life Paper PD160R-N (Oji Paper), AFB-235 (Mitsubishi Paper), TP50KJ-R (Nippon Paper), HA220AA (Nippon Paper) |

*+5°C to +40°C printing density assurance range.

■ DIMENSIONS

1. Printer mechanism



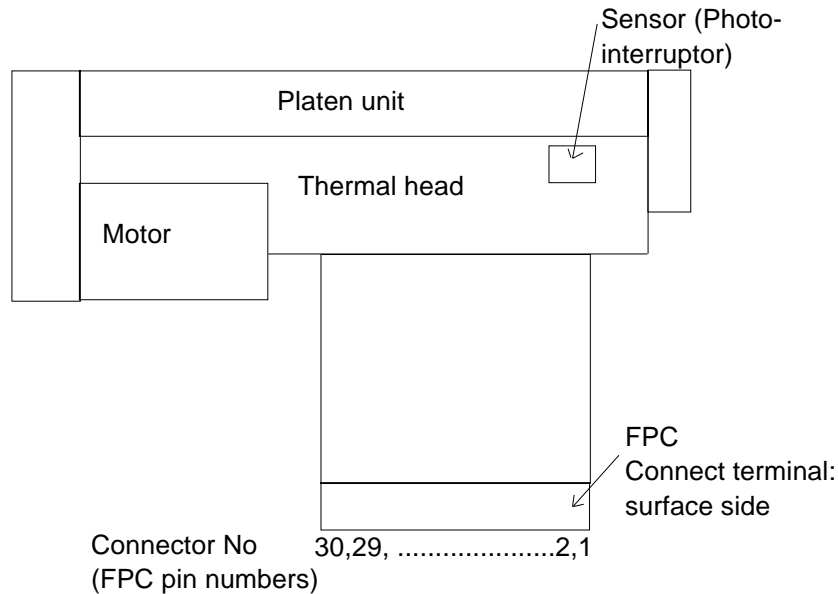
1. Connector (FPC) specification (CN4)

(1) Connector

Mechanical unit side: FPC connector
 Remote side (housing site): 52610-3090 (made by Molex)

(2) Pin assignment on the mechanical side

| No | Signal | I/O | Contents |
|----|--------------------------|-----|--------------------------------------|
| 1 | PHK | — | Photointerrupter (Cathode) |
| 2 | VSEN | — | Ground power supply for paper sensor |
| 3 | PHE | O | Photointerrupter (Emitter) |
| 4 | SW | — | Platen open switch |
| 5 | SW | O | Platen open switch |
| 6 | VH | — | Power supply for thermal head |
| 7 | VH | — | |
| 8 | VH | — | |
| 9 | NC | — | Not connected |
| 10 | CLK | I | Clock |
| 11 | $\overline{\text{LAT}}$ | I | Print data latch |
| 12 | $\overline{\text{STB2}}$ | I | Strobe 2 |
| 13 | $\overline{\text{STB1}}$ | I | Strobe 1 |
| 14 | GND | — | Ground power supply for thermal head |
| 15 | GND | — | |
| 16 | GND | — | |
| 17 | GND | — | |
| 18 | GND | — | |
| 19 | GND | — | |
| 20 | TH | O | Thermistor |
| 21 | VDD | — | Power for logic |
| 22 | $\overline{\text{STB3}}$ | I | Strobe 3 |
| 23 | DI | I | Print data in |
| 24 | VH | — | Power supply for thermal head |
| 25 | VH | — | |
| 26 | VH | — | |
| 27 | MT/A | I | Stepping motor excitation signal |
| 28 | $\overline{\text{MT/A}}$ | I | |
| 29 | MT/B | I | |
| 30 | $\overline{\text{MT/B}}$ | I | |



2. Cutter (CN5)

Connector on control circuit side: B4B-PH-K-S (J.S.T. or equivalent)

| No. | Signal | I/O | Contents | No. | Signal | I/O | Contents |
|-----|--------|-----|--------------------------------|-----|--------|-----|--------------------------------|
| 1 | SW1 | - | Cutter position detect switch | 2 | SW2 | - | Home position detect switch |
| 3 | M+ | O | Stepping motor coil excitation | 4 | M- | I/O | Stepping motor coil excitation |

Fujitsu Components International Headquarter Offices

Japan

Fujitsu Component Limited
 Gotanda-Chuo Building
 3-5, Higashigotanda 2-chome, Shinagawa-ku
 Tokyo 141, Japan
 Tel: (81-3) 5449-7010
 Fax: (81-3) 5449-2626
 Email: promotq@ft.ed.fujitsu.com
 Web: www.fcl.fujitsu.com

North and South America

Fujitsu Components America, Inc.
 250 E. Caribbean Drive
 Sunnyvale, CA 94089 U.S.A.
 Tel: (1-408) 745-4900
 Fax: (1-408) 745-4970
 Email: marcom@fcai.fujitsu.com
 Web: www.fcai.fujitsu.com

Europe

Fujitsu Components Europe B.V.
 Diamantlaan 25
 2132 WV Hoofddorp
 Netherlands
 Tel: (31-23) 5560910
 Fax: (31-23) 5560950
 Email: info@fceu.fujitsu.com
 Web: www.fceu.fujitsu.com

Asia Pacific

Fujitsu Components Asia Ltd.
 102E Pasir Panjang Road
 #04-01 Citilink Warehouse Complex
 Singapore 118529
 Tel: (65) 6375-8560
 Fax: (65) 6273-3021
 Email: fcal@fcal.fujitsu.com
 www.fcal.fujitsu.com

© 2004 Fujitsu Components America, Inc. All company and product names are trademarks or registered trademarks of their respective owners. Rev. 11/12/2004.

Free Manuals Download Website

<http://myh66.com>

<http://usermanuals.us>

<http://www.somanuals.com>

<http://www.4manuals.cc>

<http://www.manual-lib.com>

<http://www.404manual.com>

<http://www.luxmanual.com>

<http://aubethermostatmanual.com>

Golf course search by state

<http://golfingnear.com>

Email search by domain

<http://emailbydomain.com>

Auto manuals search

<http://auto.somanuals.com>

TV manuals search

<http://tv.somanuals.com>