

Scanpartner 15C Image Scanner

User's Manual

Version 1.0

(Doc. No. 250-0062-0)

Table of Contents

| | |
|-------------------------------------------------------------------------|------------|
| 1. INTRODUCTION | 1-1 |
| 2. INSTALLATION AND CONNECTIONS..... | 2-1 |
| 2.1 SHIPPING BRACKET..... | 2-1 |
| 2.1.1 Removing the Shipping Bracket (refer to figures 2-1 and 2-2)..... | 2-1 |
| 2.1.2 Refitting the Shipping Bracket:..... | 2-3 |
| 2.2 SCSI INTERFACE DEVICE ID | 2-3 |
| 2.3 ADF PAPER CHUTE (FIGURE 2-4)..... | 2-5 |
| 2.4 ADF OUTPUT TRAY (FIGURE 2-5) | 2-6 |
| 2.5 DOCUMENT LOADING | 2-7 |
| 2.6 ADF SCANNING..... | 2-8 |
| 2.7 CONNECTING THE CABLE | 2-9 |
| 3. MAINTENANCE..... | 3-1 |
| 3.1 CLEANING THE ADF | 3-1 |
| 3.2 CLEANING THE GLASS | 3-3 |
| 4. TROUBLESHOOTING | 4-1 |
| 4.1 QUESTION AND ANSWER..... | 4-1 |
| 4.2 PAPER JAM IN THE ADF..... | 4-3 |
| 5. SPECIFICATIONS | 5-1 |
| 5.1 SCANPARTNER 15C SPECIFICATIONS | 5-2 |

1. INTRODUCTION

Congratulations on your purchase of Fujitsu Scanpartner 15C Scanner.

Before you install and operate the new Scanner, please take a few minutes to read through this manual. It provides you with the proper instructions on how to unpack, install, operate and maintain the Scanner.

Figure 1-1 shows how the Scanner is packed. You can check all items against your “checklist”, included with your Scanner.

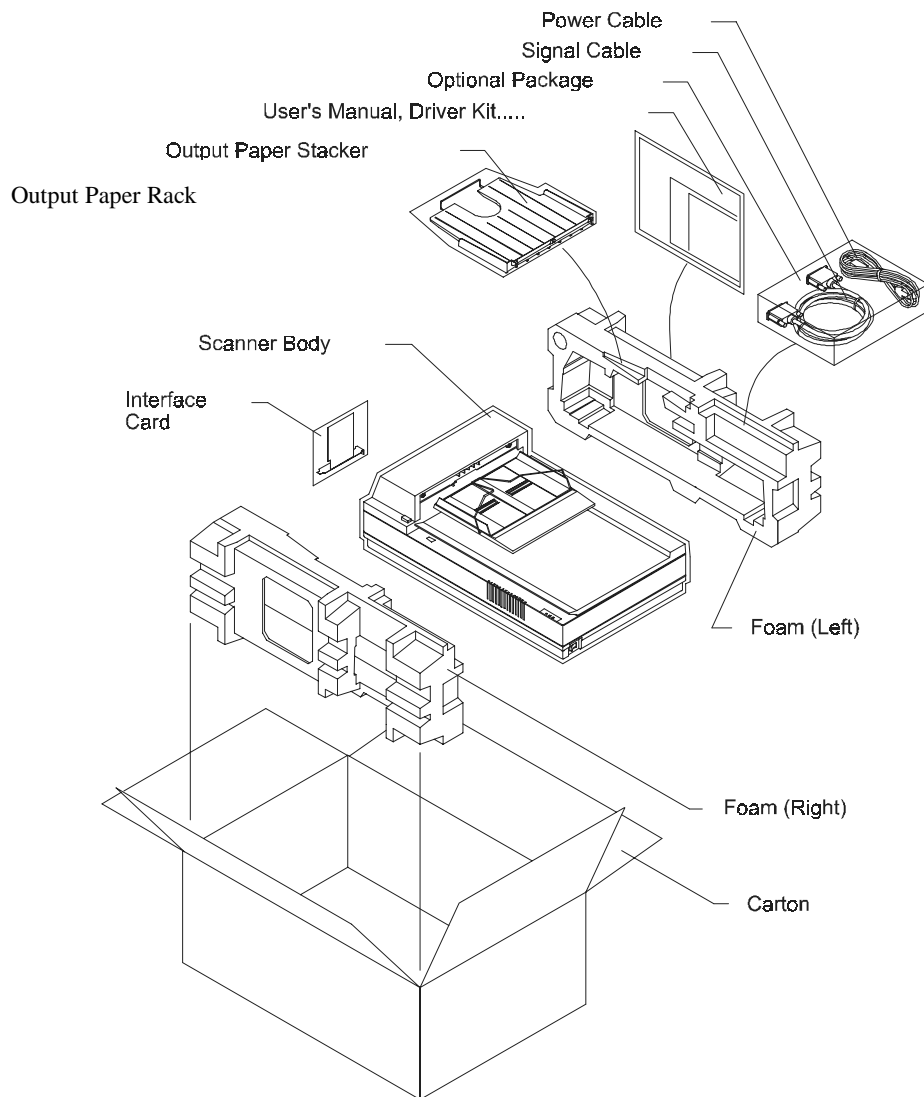


Figure 1-1 Scanner packing

2. INSTALLATION AND CONNECTIONS

Please unpack the Scanner carefully, and check the contents against the *checklist*. If any items are missing or damaged, please contact your authorized local dealer immediately.

Precautions

- ❖ Keep the Scanner out of direct sunlight. Direct exposure to the sun or excessive heat may cause damage to the unit.
- ❖ Do not install the Scanner in a humid or dusty place.
- ❖ Be sure to use the proper AC power source.
- ❖ Place the Scanner securely on an even, flat surface. Tilted or uneven surfaces may cause mechanical or paper-feeding problems.
- ❖ Retain the Scanner box and packing materials for shipping purposes.

2.1 Shipping Bracket

The Scanner has a bracket that locks the carrier mechanism for transportation purposes. This bracket must be put into the use position before using the Scanner.

If the power is turned on before the bracket has been removed the PAPER JAM light will turn on. Before proceeding, turn the power off, disconnect all cables and follow the instructions below to remove the shipping bracket.

2.1.1 Removing the Shipping Bracket (refer to figures 2-1 and 2-2)

- i). Carefully place the Scanner in an upright position on its front.
- ii). Using a suitable screwdriver, remove the screw and pull out the shipping bracket.
- iii). Put the shipping bracket into the use positions with the short side extending into the Scanner base and secure it with the screw.
- iv). Carefully place the Scanner back into its normal position.

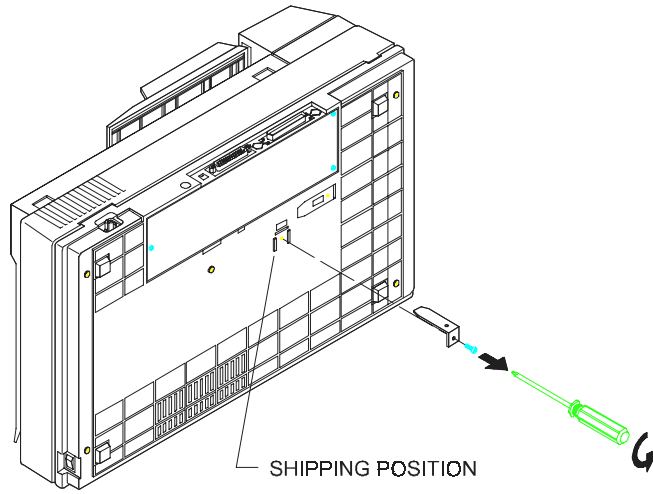


Figure 2-1 Removing the Shipping Bracket

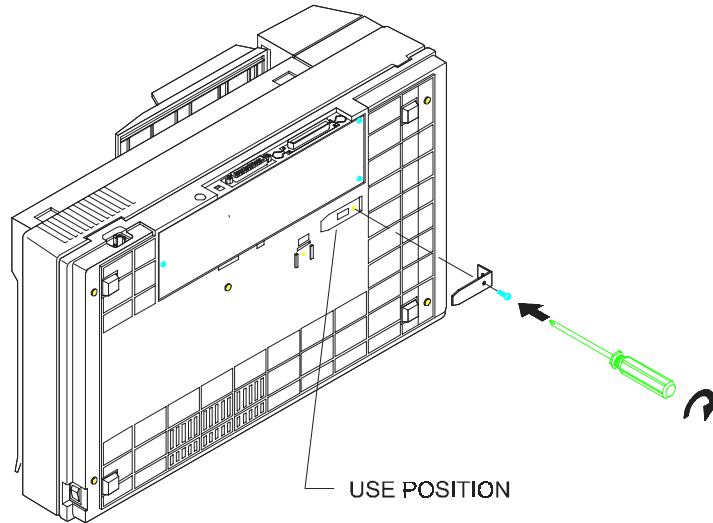


Figure 2-2 Securing the Shipping Bracket

2.1.2 Refitting the Shipping Bracket:

Whenever you need to move the Scanner to a new location it is advisable to refit the shipping bracket to avoid causing damage to the Scanners' internal mechanism. Please follow the instructions below to refit the shipping bracket.

- i). Turn off the Scanner power at the power on/off switch.
- ii). Open the document cover.
- iii). Turn off the Scanner.

Note: For steps (iv) to (vi) please refer to figure 2-1 and 2-2

- iv). Carefully place the Scanner in an upright position on its front side.
- v). Use a suitable screwdriver to remove the screw holding the shipping bracket in the use position.
- vi). Put the shipping bracket into the shipping position, with the long side extending into the Scanner base. Secure it with the screw.
- vii). Carefully place the Scanner back into its normal position.

2.2 SCSI Interface Device ID

When you have several devices on a SCSI chain, you may need to adjust the SCSI ID selector setting located on the back of the Scanner. This setting assigns a specific "device ID" to the Scanner. If the assignment conflicts with an existing SCSI device, please select a new ID. (See Figure 2-3)

Note: The factory setting for Scanner is ID 6. Usually, ID 0 is assigned to an internal hard disk drive, and ID 7, to SCSI adapter or host. ID 8 and 9 are not in actual use.

Using a suitable tool, turn the selector switch until the arrow points to the desired ID number.

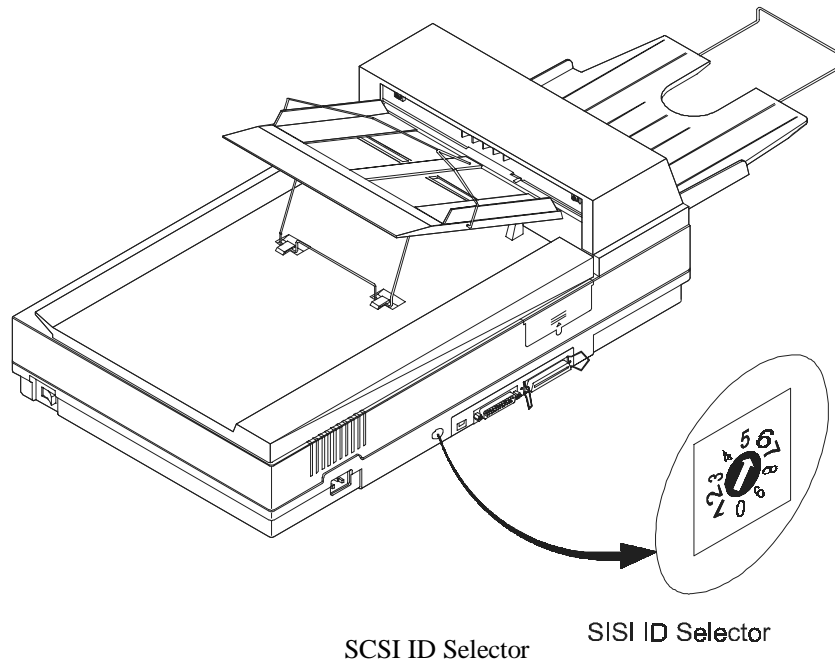


Figure 2-3 Adjusting the SCSI ID setting.

2.3 ADF Paper Chute (Figure 2-4)

- i). Raise the right side of the paper chute to about 45 degrees.
- ii). Pull down the wire leg from under the paper chute.
- iii). Insert the wire leg into the grips on the document cover.
- iv). Pull out the paper chute extension to the length you want.

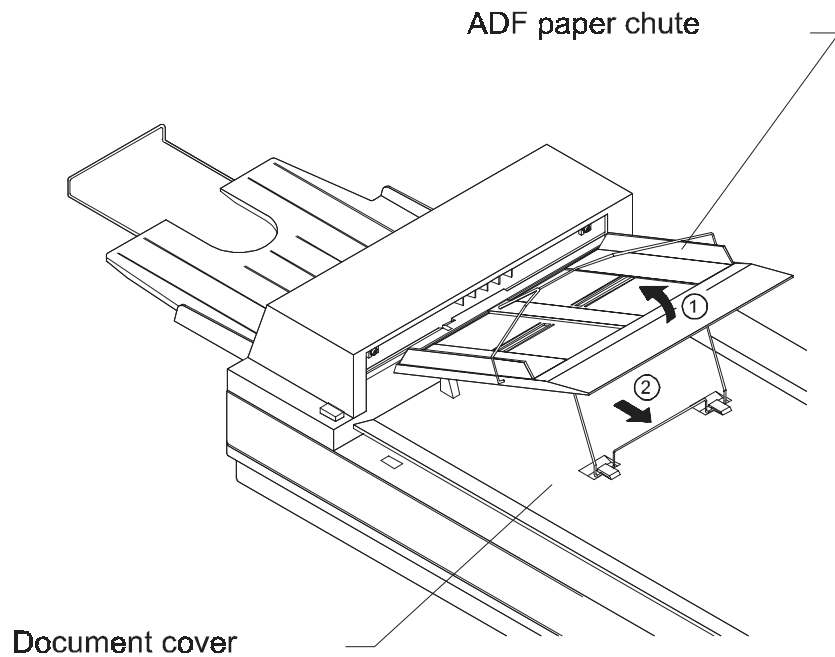


Figure 2-4 Setting the ADF Paper Chute

2.4 ADF Output Tray (Figure 2-5)

- i). Hold the output paper rack some 30 degrees aslant as shown in Figure 2-5.
- ii). Insert the three protrusions on the output paper tray to the three slots on the ADF.
- iii). Release the paper tray gently. Make sure the tray is firmly attached to the ADF.
- iv). Pull out the output paper tray extension wire to the desired length.

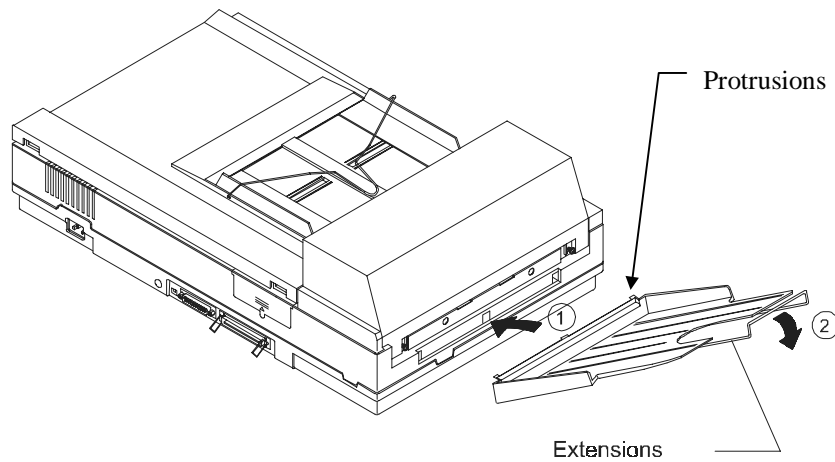


Figure 2-5 Install the ADF Output Paper Tray

2.5 Document Loading

For flatbed scanning.

Documents that can not be scanned using the ADF can be placed on the flatbed for scanning. Refer to Figure 2-6)

- i). Place the document to be scanned onto the document glass face down.
- ii). Position the document so that the upper-right corner is aligned with the reference mark.

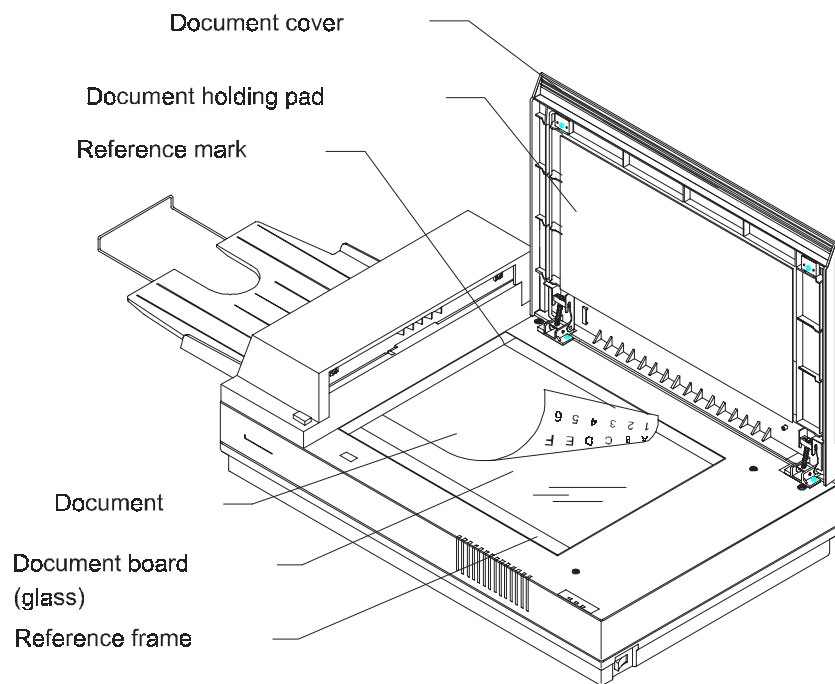


Figure 2-6- Place Document on the Scanner

2.6 ADF Scanning

Standard paper size can be scanned automatically using the ADF. Refer to figure 2-7.

- i). To prevent occasional paper jam when automatically feeding multiple documents, fan the paper before loading.
- ii). Lift the balance wire and place the documents to be scanned onto the ADF paper chute face down, with the leading edge in the auto feeder entrance. Let the balance wire rest on the top of the documents.
- iii). Adjust the left and right guides so that they are snug against the sides of the documents.

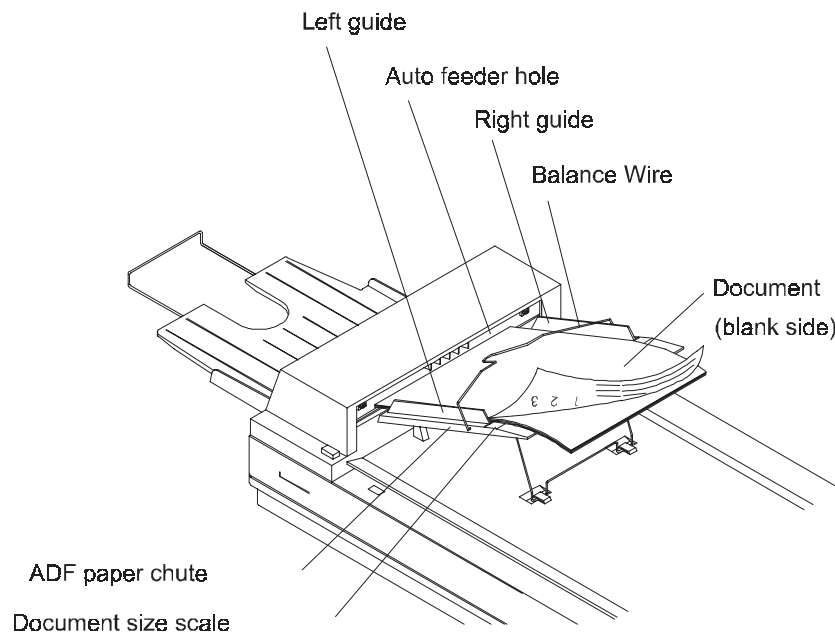


Figure 2-7 - Use ADF to Load Multiple Documents

2.7 Connecting the Cable

i). Turning the Power Off

Depress the side marked “O” to turn the power off.

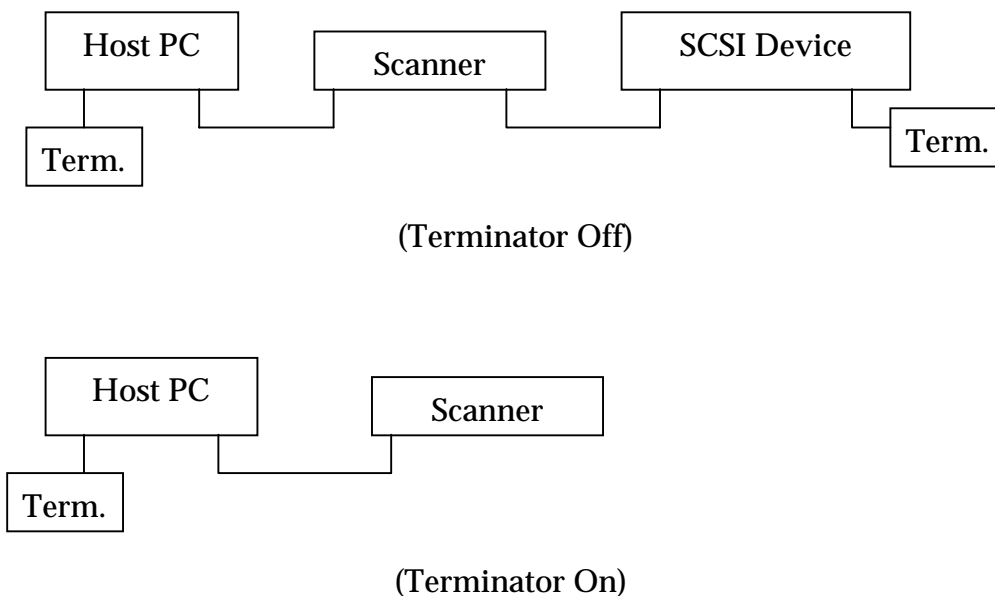
Connect the power cable and SCSI signal cable as shown in Figure 2-8.

ii). Turning the Power On

Depress the side marked “I” to turn the power on. The POWER LED will light. If not, please check the power source.

iii). SCSI Termination

The Fujitsu Scanpartner 15C comes complete with a built in SCSI terminator. If the Scanner is the last device in a SCSI chain the terminator should be switched on. If the Scanner is not the last device the terminator should be off. The terminator on/off switch is located on the back of the Scanner, to the left of the SCSI cable connectors.



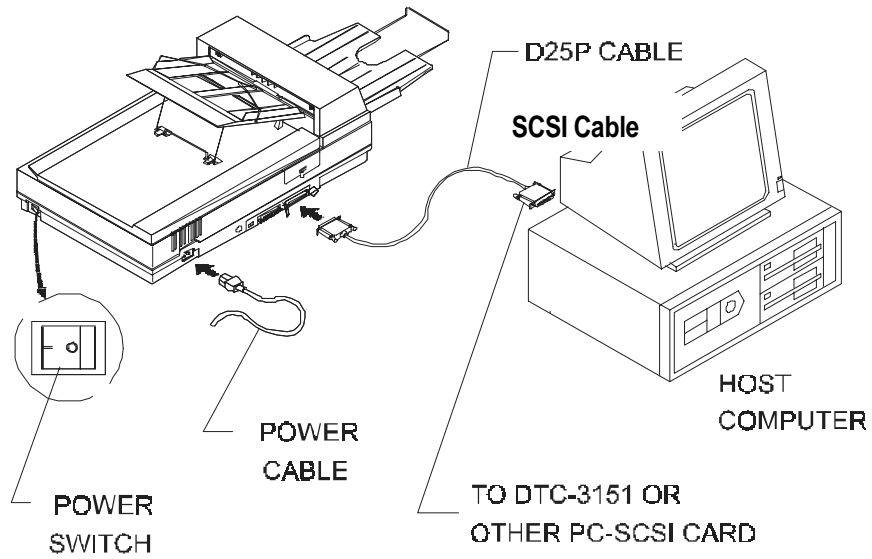


Figure 2-8 Scanpartner 15C Scanner Cable Connection

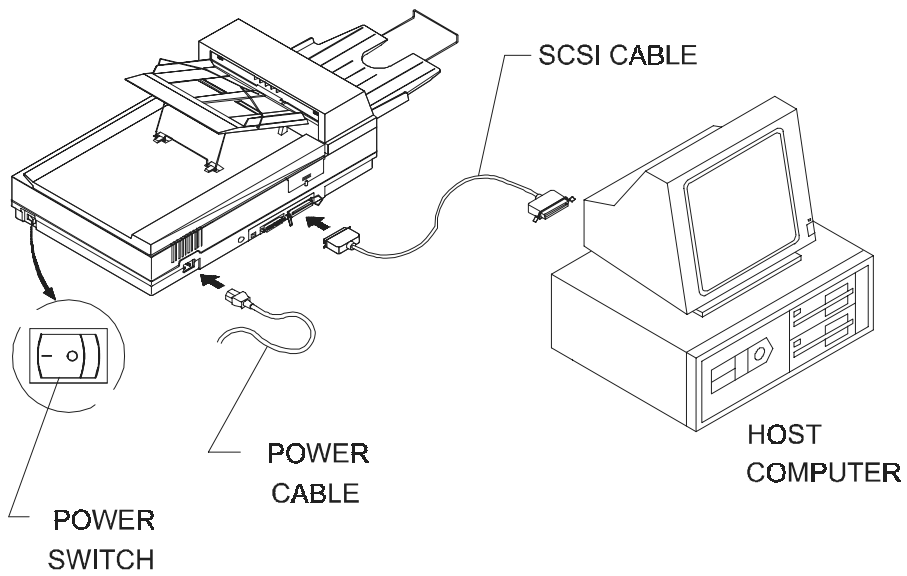


Figure 2-9 Scanpartner 15C SCSI Scanner Cable Connections with Mac

3. MAINTENANCE

3.1 Cleaning the ADF

Your Scanner is designed to be maintenance free. However, it still needs to be cleaned occasionally to ensure optimum image quality and performance.

From time to time the pad assembly and feeding rollers may become contaminated with ink, toner particles or paper dust. In this case the scanner may not feed documents smoothly or several documents may feed at once. If this occurs please follow the cleaning procedures to return your Scanner to its original state.

The cleaning procedures (Figure 3-1)

- i). Moisten a cotton swab with isopropyl alcohol (95%). (Cleaner kits are available from Fujitsu.)
- ii). Open the ADF unit by depressing the button ① in front of the ADF unit, carefully open the ADF to the left ②. Wipe the feeding rollers by moving the swab from side to side. Rotate the rollers forward with your finger and repeat the above cleaning procedures until the rollers are clean. Be careful not to snag or damage the pick springs.
- iii). Wipe the pad in the direction from top to bottom. Be careful not to hook the pick springs.
- iv). Close the ADF unit. Your Scanner is now ready for use.

- 1) Documents do not feed smoothly or easily;
- 2) Several documents feed at one time.

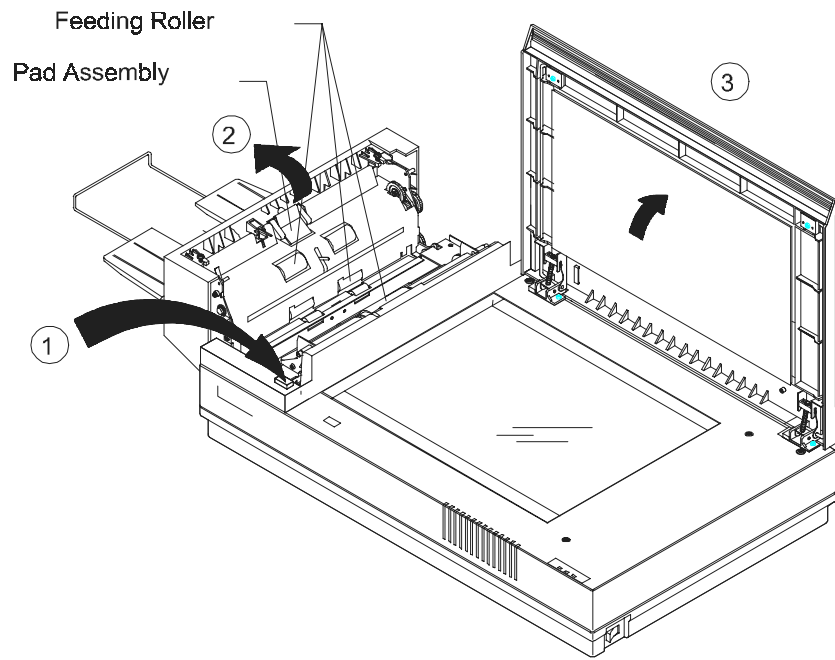


Figure 3-1 Opening the ADF unit and Document Cover

3.2 Cleaning the Glass

The procedures:

- i). Soak a cotton swab with some isopropyl alcohol (95%).
- ii). Open the ADF unit and document cover as shown in Figure 6-2. Wipe the glass of flatbed area and ADF area by moving the swab from side to side.
- iii). Close the ADF unit and document cover. Your Scanner is now ready for use.

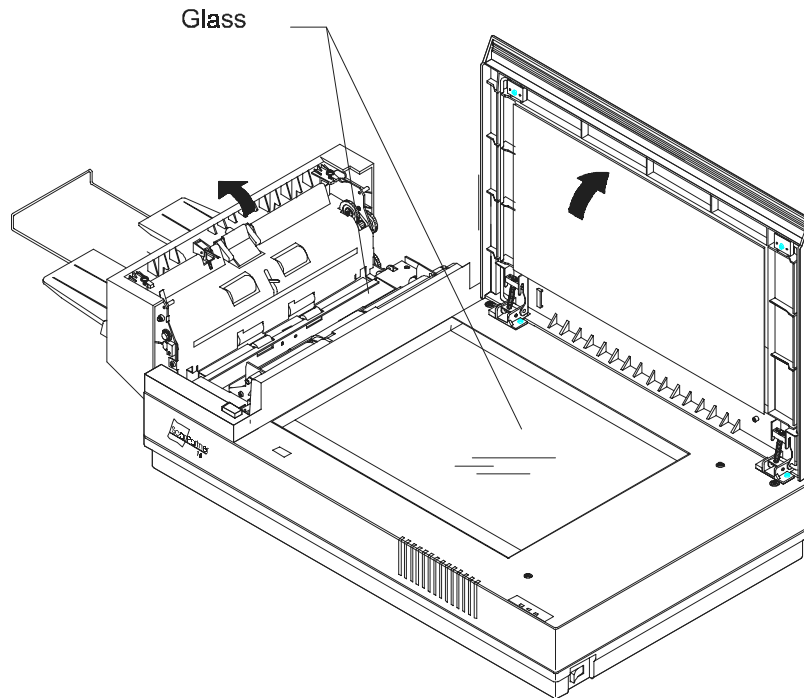


Figure 3-2 The Cleaning Area

4. TROUBLESHOOTING

The Scanner will automatically perform a simple self-test each time it is turned on. This will help spot major system errors in the Scanner itself.

When the test is initiated, the READY LED is flashing. When the test is completed, if no error occur, the READY LED is steadily on.

If you have problems with the operation of your Scanner, please check the following troubleshooting hints.

4.1 Question and Answer

Question: The LED indicates that the Scanner is ready, but the Scanner does not respond to the scan command form the host computer.

Answer: a) Please check the signal cable is firmly seated, and invoke the scan command again. If there is still no response, please reset the Scanner by turning it off and then on again, and reboot your host computer as well.

b) Check if the driver is correctly installed. You can use the DIAG.EXE file in "Fujitsu Driver Kit" to check this out.

c) Try to select another port memory.

Question: Paper becomes jammed during scanning.

Answer: a) Open the ADF unit.

b) Pull out the jammed paper carefully.

c) Close the ADF unit.

Question: More than one sheet of paper were fed into the Scanner.

Answer: a) Open ADF unit.

b) Remove the multi-fed sheets of paper.

c) Close the ADF unit.

d) Flatten the corners and edges; loosen the paper before reloading it in the paper guide.

e) Check the feeding roller condition and do the cleaning if necessary. (See Chapter 3)

Question: Paper becomes skewed in the Scanner.

Answer: a) Check the feeding roller condition; do the cleaning if necessary. (See Section 3.1)

b) Use the paper guide when feeding the paper.

Question: When I power on the Scanner, it makes noises and will not stand ready.

Answer: There are two possibilities:

a) You forgot to remove the shipping retainer from the Scanner. Please remove the shipping retainer first.

b) You did not place the Scanner on a flat desktop surface. This may cause the Scanner to function improperly.

Question: When I power on the Scanner, the lamp does not light.

Answer: The possibilities are as follows:

a) The lamp is out of order. In that case, contact your authorized local dealer to change the lamp. The life time of the lamp is about 5000 hours.

b) The fuse on main board of the Scanner is burned. Check the main board of the Scanner. If the fuse is burned, put in a new fuse that is 250V/2A.

c) If the fuse burns again after the changing, it means the inverter of the lamp is burned. Contact your authorized local dealer to replace the inverter.

Question: Getting image from the Scanner is not a problem, but when scanning, the Scanner or system will often crash.

Answer: Please check

a) If the cable is firmly seated;

b) Only two SCSI terminators can be connected to your SCSI daisy chain. One is at the end of the SCSI device, another is already in your host adapter.

Question: While scanning, the Scanner often makes noises, or it scans back and forth.

Answer: Please choose lower speed from the TWAIN user interface for low speed PC.

Question: The scanned image always comes out to be too dark.

Answer: a) Use your application to modify the Gamma setting to 2.2 and 1.8 for your printer and monitor respectively.

b) Use Brightness setting from the TWAIN user interface to get a brighter image.

Question: The Scanner works well otherwise, but for the line art, the lines of which seem much thicker than those of the original.

Answer: Use the Brightness or Threshold setting to adjust the line art image.

4.2 Paper Jam in the ADF

In the event of paper jam, please follow the procedures below.

- i). Press the button at the front left of the Scanner as shown in Figure 4-1, arrow A. The ADF cover will be released.
- ii). Open the ADF cover to the full open position, arrow B.
- iii). Pull the paper out of the ADF unit carefully, as shown in Figure 4.2, arrow A.

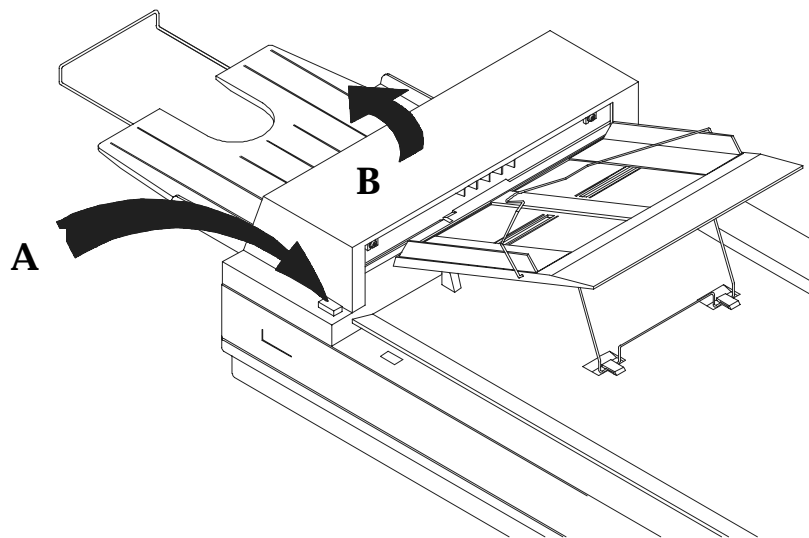


Figure 4.1 ADF Paper Jam - Opening the ADF.

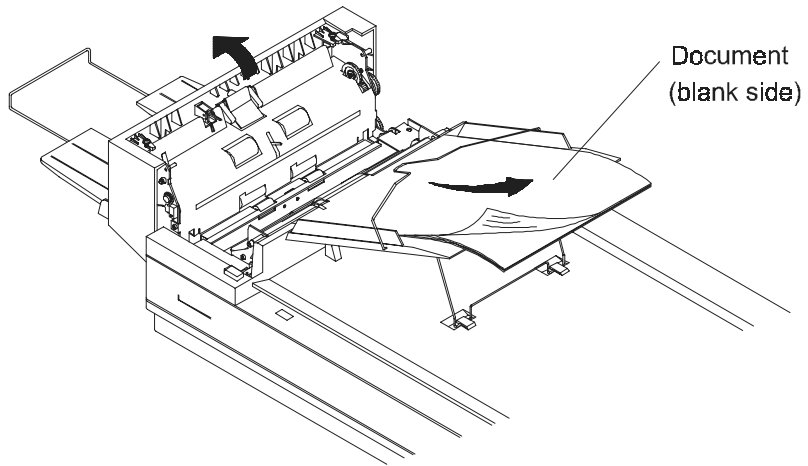


Figure 4.2 ADF Paper Jam - Removing the Paper

5. SPECIFICATIONS

All specifications are subject to change without notice.

The following can not be properly fed by ADF:

- ❖ Paper with clip or staple attached;
- ❖ Paper with ink not totally dry;
- ❖ Paper with inconsistent thickness, such as envelopes;
- ❖ Paper with wrinkles, curls, folds or tears;
- ❖ Tracing paper;
- ❖ Coated paper;
- ❖ Carbonless paper;
- ❖ Paper narrower than 3.5" or wider than 8.5";
- ❖ Items other than papers, such as cloth, metal or OHP film;
- ❖ Notched paper;
- ❖ Paper with an odd (non-rectangular) shape;
- ❖ Very thin paper.

Please use the flatbed to scan documents that cannot be fed by the ADF.

5.1 Scanpartner 15C Specifications

| | |
|-----------------------------|----------------------------------------------------------------------------------------------------------------------------------------------------------------------------------|
| Scanner Type | <ul style="list-style-type: none">❖ 1-pass colour❖ Flatbed with ADF built-in |
| Scanning Mode | <ul style="list-style-type: none">❖ 30-bit colour❖ Grey Scale (256 levels)❖ Line Art/Halftone (64 levels)❖ Error Diffusion (single bit) |
| Optical Resolution | <ul style="list-style-type: none">❖ 300 x 600 dpi in a dpi increments |
| Light Source | <ul style="list-style-type: none">❖ Cold Cathode fluorescent lamp |
| ADF Capacity | <ul style="list-style-type: none">❖ 50 pages |
| ADF Scanning Speed | <ul style="list-style-type: none">❖ 15 PPM (200dpi, B/W mode, ADF) |
| Scanning Document Size Max. | <ul style="list-style-type: none">❖ ADF mode 8.5" x 14"❖ Flatbed mode 8.5" x 11.69" |
| Interface | <ul style="list-style-type: none">❖ SCSI-2 |
| Power Requirement | <ul style="list-style-type: none">❖ 90-264 Vac, 47-63Hz |
| Power Consumption | <ul style="list-style-type: none">❖ 30 watts |
| Humidity | <ul style="list-style-type: none">❖ 20% to 80% |
| Operation Temperature | <ul style="list-style-type: none">❖ 10 to 40 |
| Storage Temperature | <ul style="list-style-type: none">❖ -10 to 50 |
| Dimension | <ul style="list-style-type: none">❖ 570 x 350 x 165 mm(WxDxH) |
| Weight | <ul style="list-style-type: none">❖ Appropriate 26.5 lbs (12 kg) |

Free Manuals Download Website

<http://myh66.com>

<http://usermanuals.us>

<http://www.somanuals.com>

<http://www.4manuals.cc>

<http://www.manual-lib.com>

<http://www.404manual.com>

<http://www.luxmanual.com>

<http://aubethermostatmanual.com>

Golf course search by state

<http://golfingnear.com>

Email search by domain

<http://emailbydomain.com>

Auto manuals search

<http://auto.somanuals.com>

TV manuals search

<http://tv.somanuals.com>