

P3PC-1142-01XA

Color Image Scanner

ScanSnap™

fi-5110EOX2



Getting Started

Instructions préliminaires

Los Gehts

Avvio Rapido

Comenzando

FUJITSU

Color Image Scanner

ScanSnap™

fi-5110EOX2

Getting Started



Please read this guide before connecting the scanner to your PC.

FUJITSU

Contents

| | |
|---|-----------|
| Introduction | 1 |
| 1. Preparation | 5 |
| 1.1. Checking the Contents of the Package..... | 5 |
| 1.2. Names and Functions of Parts..... | 5 |
| 2. Connecting ScanSnap | 6 |
| 2.1. Installing the Supplied Software | 6 |
| 2.1.1. Installing Adobe Acrobat 6.0 | 6 |
| 2.1.2. Installing ScanSnap Manager, ScanSnap Organizer, CardMinder and PDF Thumbnail View | 7 |
| 2.2. Connecting the Scanner | 7 |
| 2.2.1. Connecting the AC cable | 7 |
| 2.2.2. Connecting the USB cable | 8 |
| 3. How to Use ScanSnap | 9 |
| 3.1. Scanning Documents | 9 |
| 3.2. About the Scan Settings | 9 |
| 3.3. Scanning Office Documents..... | 9 |
| 3.4. Scanning with the Carrier Sheet..... | 10 |
| 3.5. Scanning Business Cards | 10 |
| 3.6. About PDF Thumbnail View..... | 11 |
| 3.7. ScanSnap Organizer | 11 |
| 4. Troubleshooting | 12 |
| 4.1. Troubleshooting Checklist | 12 |
| 4.2. Clearing Paper Jams | 15 |
| 5. Daily Care | 16 |
| 5.1. Cleaning Materials | 16 |
| 5.2. Cleaning the Scanner Exterior | 16 |
| 5.3. Cleaning Inside of the scanner | 16 |
| 5.4. Cleaning the Carrier Sheet | 17 |
| 6. Consumables/Carrier Sheet | 18 |
| 6.1. Part Numbers and Replacement Cycle of Consumables..... | 18 |
| 6.2. Replacing the Pad ASSY..... | 18 |
| 6.3. Replacing the Pick Roller | 19 |
| 6.4. Purchasing the Carrier Sheet..... | 21 |

All Rights Reserved, Copyright © PFU LIMITED 2005.

The contents of this manual are subject to change without notice.

This manual may not be reproduced, adapted or translated without prior written permission.

READ THIS ENTIRE MANUAL CAREFULLY BEFORE USING THIS PRODUCT. IF THIS PRODUCT IS NOT USED CORRECTLY, UNEXPECTED INJURY MAY BE CAUSED TO USERS OR BYSTANDERS.

While all efforts have been made to ensure the accuracy of all information in this manual, PFU LIMITED assumes no liability to any party for any damage caused by errors or omissions or by statements of any kind in this manual, its updates or supplements, whether such errors are omissions or statements resulting from negligence, accidents, or any other cause.

PFU LIMITED further assumes no liability arising from the application or use of any product or system described herein; nor any liability for incidental or consequential damages arising from the use of this manual.

PFU LIMITED disclaims all warranties regarding the information contained herein, whether expressed, implied, or statutory.

PFU LIMITED assumes no liability for incidental or consequential damages arising from the use of this product, and any claims by a third party.

Introduction

Thank you for purchasing the ScanSnap fi-5110EOX2 Color Image Scanner product.

ScanSnap fi-5110EOX2 comes with a color image scanner and office applications. It is a complete Office Solution designed to improve your productivity and to solve scanning problems in your office. ScanSnap product has the following features.

- **Just pressing the Scanner button allows you to turn images on paper into PDFs!**

You can turn the documents that clutter up your desktop into PDFs, and manage and archive them on your computer. You can use the Adobe® Acrobat® software packaged with this scanner to display and these PDF documents.

ScanSnap product can also automatically recognize the type of document, color or black & white, so scanned image files can be made smaller when scanning documents containing a mixture of color and black & white pages. You can also have the scanner automatically remove blank pages in documents in order to reduce the size of files even more.

- **Effortless scanning!**

Double-sided color documents A4 or letter in size can be scanned at a speed of about 15 sheets/minute (when used with a computer with Intel® Pentium® 4 1.8GHz or higher that runs Windows® 98, Windows® Me, Windows® 2000 or Windows® XP, and with Scan mode Normal, Color mode Auto, and Compression rate 3).

- **Small desktop footprint!**

Smaller than a sheet of A4 or letter paper in size, ScanSnap scanner can be left on your desk all the time.

- **Business cards easily filed!**

Business cards can be easily filed and searched for using the OCR function by using the "CardMinder™ for ScanSnap" application supplied with the scanner.

(*ScanSnap fi-5110EOX2 Scanner does **NOT** comply with **TWAIN** or **ISIS** standards.)

Manufacturer

PFU LIMITED
International Sales Dept., Imaging Business
Division, Products Group
Solid Square East Tower, 580 Horikawa-cho,
Saiwai-ku, Kawasaki-shi Kanagawa 212-8563,
Japan
Phone : +81 (44) 540-4538

Trademarks

Microsoft, and Windows are registered trademarks of Microsoft Corporation in the United States and/or other countries.

Adobe, the Adobe logo, and Acrobat are either registered trademarks of Adobe Systems Incorporated in the United States and/or other countries.

ScanSnap, the ScanSnap logo, and CardMinder are the trademarks of PFU LIMITED.

Other product names are the trademarks or registered trademarks of the respective companies.

How Trademarks and Product Names Are Indicated In This Manual

ScanSnap: ScanSnap fi-5110EOX2

CardMinder: CardMinder™ 2.0

References to operating systems (OS) are indicated as follows:

Windows 98: Microsoft® Windows® 98 operating system.

Windows Me: Microsoft® Windows® Millennium Edition operating system.

Windows 2000: Microsoft® Windows® 2000 Professional operating system.

Windows XP: Microsoft® Windows® XP Professional operating system, Microsoft® Windows® XP Home Edition operating system.

Where there is no distinction between the different versions of the above operating system, the general term "Windows" is used.

Adobe Acrobat 6.0: Adobe® Acrobat® 6.0 Standard

Where there is no distinction between the different versions of the above application, the general term "Adobe Acrobat" is used.

■ ScanSnap and the Manuals

ScanSnap fi-5110EOX2 consists of:

- 1) fi-5110EOX2: Color image scanner.
- 2) Carrier Sheet: A document is inserted into the sheet which is then used for scanning. You can scan large documents such as A3/B4/11x17 documents, and documents of irregular shapes such as clippings of newspaper.
- 3) ScanSnap Manager: ScanSnap's driver to scan and save documents.
- 4) CardMinder application: Software with OCR engine to capture and manage business card data for Personal Information Manager software such as Microsoft® Outlook®.
- 5) Adobe® Acrobat®: De facto standard software for generating and manipulating PDF format electronic document.

Following manuals are prepared for you:

ScanSnap fi-5110EOX2 Getting Started

(This manual):

provides basic information to install and use ScanSnap solution.

ScanSnap fi-5110EOX2 Operator's Guide

(PDF manual included in ScanSnap Setup CD-ROM):
provides detailed information about the installation of the ScanSnap software and hardware, operation of the scanner hardware and ScanSnap Manager.

CardMinder User's Guide

(PDF manual included in ScanSnap Setup CD-ROM):
provides detailed information on how to use CardMinder.

ScanSnap Organizer User's Guide

(PDF manual included in ScanSnap Setup CD-ROM):
provides detailed information on how to use ScanSnap Organizer.

For information on how to use Adobe Acrobat, please refer to "Adobe Acrobat Help."

■ Regulatory Information

FCC declaration

This equipment has been tested and found to comply with the limits for a Class B digital device, pursuant to Part 15 of the FCC Rules. These limits are designed to provide reasonable protection against harmful interference in a residential installation. This equipment generates, uses, and can radiate radio frequency energy and, if not installed and used in accordance with the instruction manual, may cause harmful interference to radio communications. However, there is no guarantee that interference will not occur in a particular installation. If this equipment does cause harmful interference to radio or television reception, which can be determined by turning the equipment off and on, the user is encouraged to try to correct the interference by one or more of the following measures:

- Reorient or relocate the receiving antenna.
- Increase separation between equipment and receiver.
- Connect equipment to an outlet on a circuit different from that to which the receiver is located.
- Consult your dealer or an experienced radio/TV technician.



Changes or modifications not expressly approved by the party responsible for compliance could void the user's authority to operate the equipment.



The use of a USB interface cable and AC cable supplied with this product is required to comply with the Class B limits of Part 15 of FCC rules.

Canadian DOC Regulations

This digital apparatus does not exceed the Class B limit for radio noise emissions from digital apparatus set out in the Radio interference Regulations of the Canadian Department of Communications.

This Class B digital apparatus complies with Canadian ICES-003.

Le présent appareil numérique n'émet pas de bruits radioélectriques dépassant les limites applicables aux appareils numériques de la classe B prescrites dans le Règlement sur le brouillage radioélectrique dicté par le ministère des Communications du Canada.

Cet appareil numérique de la classe B est conforme à la norme NMB-003 du Canada.

Bescheinigung des Herstellers / Importeurs

Für den fi-5110EOX2 wird folgendes bescheinigt:

- In Übereinstimmung mit den Bestimmungen der EN45014(CE) funkentstört
- Maschinenlärminformationsverordnung 3. GPSGV, 06.01.2004: Der höchste Schalldruckpegel beträgt 70 dB (A) oder weniger, gemäß EN ISO 7779.

International ENERGY STAR® Program

As an ENERGY STAR® Partner, PFU LIMITED has determined that this product meets the ENERGY STAR® guidelines for energy efficiency.



The International ENERGY STAR® Office Equipment Program is an international program that promotes energy saving through the penetration of energy efficient computers and other office equipment. The program backs the development and dissemination of products with functions that effectively reduce energy consumption. It is an open system in which business proprietors can participate voluntarily. The targeted products are office equipment such as computers, monitors, printers, facsimiles, copiers, scanners, and multifunction devices. Their standards and logos () are uniform among participating nations.

Use in High-safety Applications

This product has been designed and manufactured on the assumption that it will be used in office, personal, domestic, regular industrial, and general-purpose applications. It has not been designed and manufactured for use in applications (simply called "high-safety applications" from here on) that directly involve danger to life and health when a high degree of safety is required, for example, in the control of nuclear reactions at nuclear power facilities, automatic flight control of aircraft, air traffic control, operation control in mass-transport systems, medical equipment for sustaining life, and missile firing control in weapons systems, and when provisionally the safety in question is not ensured. The user should use this product with adopting measures for ensuring safety in such high-safety applications. PFU LIMITED assumes no liability whatsoever for damages arising from use of this product by the user in high-safety applications, and for any claims or compensation for damages by the user or a third party.

About the use of mercury



Lamp(s) inside this product contain mercury and must be recycled or disposed of according to local, state, or federal laws.

To avoid unexpected injury, read the following carefully.

Doing the following actions may result in serious personal injuries:

- Do not put the substance in the lamp in your mouth as it contains mercury.
- Do not incinerate, crush, or shred the scanner.
- Do not breathe the chemical liquid contained in the scanner parts.

■ Conventions

Warning Indications Used In This Manual



This indication alerts operators to an operation that, if not strictly observed, may result in severe injury or death.



This indication alerts operators to an operation that, if not strictly observed, may result in safety hazards to personnel or damage to equipment.

Symbols Used In This Manual

This manual uses the following symbols in explanations in addition to warning indications



This symbol alerts operators to particularly important information. Be sure to read this information.



This symbol alerts operators to helpful advice regarding operation.



A TRIANGLE symbol indicates that special care and attention is required.

The drawing inside the triangle shows the specific caution.



A CIRCLE with a diagonal line inside shows action which users may not perform.

The drawing inside or under the circle shows the specific action that is not allowed.



Outline characters on a colored background show instructions users should follow.

It may also include the drawing that shows the specific instruction.

About the Warning Label

This product carries the following label warning.



The surrounding area where this warning label is affixed can become very hot. Please take serious caution as the heat can cause burns.



Do NOT remove from the scanner, stain or scratch the warning labels.

Screen Examples In This Manual

The screen examples in this manual are subject to change without notice in the interest of product improvement.

If the actual displayed screen differs from the screen examples in this manual, operate by following the actual displayed screen while referring to the User's Manual of the scanner application you are using.

Furthermore, the screenshots in this manual are for the ScanSnap Manager, CardMinder, PDF Thumbnail View, ScanSnap Organizer and Adobe Acrobat.

About Maintenance

The user must not perform repairs on this scanner. Contact the store where you purchased the scanner or an authorized FUJITSU Image Scanner service provider to make repairs to this product.

■ Safety Precautions

FOLLOW THESE INSTRUCTIONS AND BE SURE TO HEED ALL WARNINGS AND CAUTIONS DESCRIBED BELOW.

⚠ WARNING



Do not touch the power plug with wet hands. Doing so might cause electric shock.



A damaged AC cable may cause fire or electric shock.

Do not place heavy objects on AC cables, or pull, bend, twist, heat, damage or modify AC cables.

Also, do not use damaged AC cables or power plugs, and AC cables or power plugs when the wall socket is loose.



Do not use cables other than the ones supplied with this product. Use only specified AC cables and connector cables. Failure to use the correct cables might cause electric shock and equipment failure. Do not use AC cable, AC adapter and other cables provided with this product for other devices, since this might cause equipment failure and other troubles or an electric shock.



Use this scanner only at the indicated power voltage and current. Improper power voltage and current might cause fire or electric shock.

Also, do not connect to multiple-power strips.



Wipe off any dust from metal parts on the power plug or metal fittings with a soft, dry cloth. Accumulated dust might cause fire or electric shock.



Do not install the scanner in locations subject to oil smoke, steam, humidity, and dust. Doing so might cause a fire or electric shock.



If you detect heat coming from the device or detect other problems such as smoke, strange smells or noises, immediately turn off the scanner and then disconnect its power plug.

Make sure that the smoking has stopped, and then contact the store where you bought the scanner or an authorized FUJITSU scanner service provider.



If the scanner is damaged for any reason, turn off the scanner and unplug the power cable before contacting the store where you purchased the scanner.



Do not insert or drop metal objects into the scanner. Do not scan wet documents or documents with paper clips or staples. Do not splash or allow the scanner to get wet.



If foreign objects (water, small metal objects, liquids, etc.) get inside the scanner, immediately turn off the scanner and disconnect the power plug from the power outlet, then contact the store where you bought the scanner or the Maintenance Service Center. Pay particular attention to this warning in households where there are small children.



Do not take apart or modify the scanner. The inside of the scanner contains high-voltage components. Touching these components might cause fire or electric shock.

⚠ CAUTION

The following describes important cautions.



Install the scanner on a desk so that none of its parts protrude outside of the desktop. Also, make sure that the scanner is installed on a flat, level surface.



Do not install the scanner on unstable surfaces. Install the scanner on a level surface that is free of vibration to prevent it from falling.

Install the scanner on a strong surface that will support the weight of the scanner and other devices.



Firmly insert the power plug into the power outlet as far it can go.



Install the scanner away from strong magnetic fields and other sources of electronic noise. Also, protect the scanner from static electricity as this might cause the scanner to malfunction.



Do not use aerosol sprays to clean the scanner. Aerosol sprays cause dirt and dust to enter the scanner, resulting in scanner failure and malfunction.



When the scanner is not used for a long period, be sure to disconnect the power plug from the power outlet for safety.



Do not install the scanner in the direct sunlight or near heating apparatus. Doing so might cause excessive heat to build up inside the scanner, causing fire or scanner trouble. Install the scanner in a well-ventilated location.



Do not block the ventilation ports. Blocking the ventilation ports generates heat inside of scanner, which may result in fire or scanner failure.



Do not place heavy objects on the scanner or use the scanner's top surface for performing other work. Improper installation might cause injuries.



Do not move the scanner with the power and interface cables connected as this might damage the cables, causing fire, electric shock or injuries. Before moving the scanner, be sure to disconnect the power plug from the power outlet, and disconnect data cables. Also, make sure that the floor is free of obstructions.



Avoid touching any scanner mechanism when scanning as this may cause injuries.



Do not use the device immediately after moving it from a cold place to a warm room. This may cause condensation, which might lead to scanning errors. Let the device dry about one or two hours before you use it.

1. Preparation

This chapter describes necessary preparations before using ScanSnap.



Do not connect the scanner to your PC before installing "ScanSnap Manager". If the scanner is connected before installing ScanSnap Manager, it will not operate correctly. Refer to Chapter 2 for the installation of ScanSnap Manager.

1.1. Checking the Contents of the Package

When you unpack the scanner package, make sure that all parts are included. Refer to the package contents list included the scanner package box.

1.2. Names and Functions of Parts

This section describes the names and functions of parts.

■ Front Side

Paper chute cover

Open this cover when using the scanner.
→ Opening the cover turns ON the scanner.

ADF cover (ADF: Automatic Document Feeder)

Place the scanner aligning the two front projection to the hollows on the bottom of the scanner.

Cover open lever

Pull this lever to open the ADF COVER.

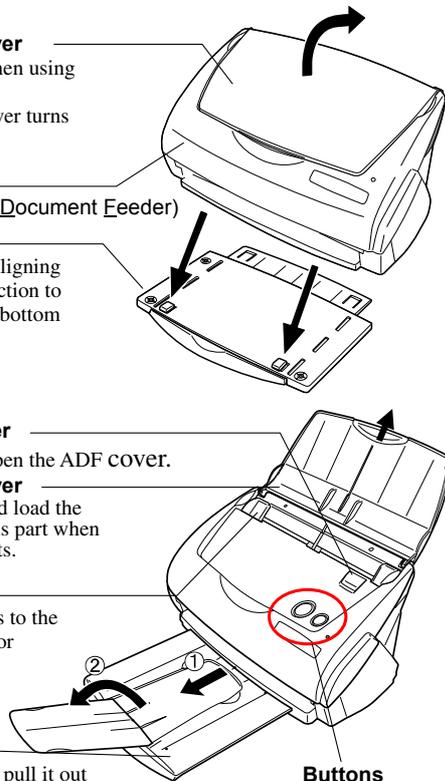
Paper chute cover
Open this cover and load the documents onto this part when scanning documents.

Side guide

Adjust these guides to the documents width for preventing skewed images.

Stacker

For using this part, pull it out as shown in the figure.
→ Documents are ejected from the ADF onto this tray.



* You can also use the scanner without the Stacker.

■ Buttons



[SCAN] button

Starts scanning.

[POWER] button

Turns on/off the power supply.

Power lamp

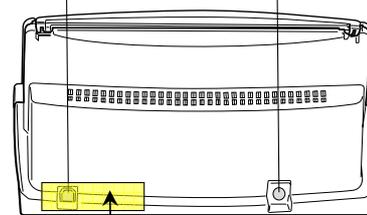
Indicates the scanner status.

Green :Ready
Green (Blinking) :Scanning
Orange :Error
Light off :Power off

■ Rear Side

USB connector

AC adapter connector



Seal: After installing ScanSnap Manager onto your computer, remove this seal to connect the scanner to the PC.



For the Document Specification, refer to the "ScanSnap fi-5110EOX2 Operator's Guide" stored in ScanSnap Setup CD-ROM.



The scanner is turned on/off automatically, when you open/close the Paper chute cover. To turn off the scanner when the cover is opened, press the [POWER] button.

2. Connecting ScanSnap

This chapter describes how to connect ScanSnap to your PC.

2.1. Installing the Supplied Software

Before connecting the scanner to your computer, please install the following software on your PC.

- ① Adobe Acrobat 7.0 (Application)
- ② ScanSnap Manager (Driver)
- ③ ScanSnap Organizer (Application)
- ④ CardMinder (Application)
- ⑤ PDF Thumbnail View (Application)



- **Be sure to install “ScanSnap Manager” before connecting the scanner to your PC.**

If the scanner is connected before installing ScanSnap Manager, the “Found New Hardware Wizard” appears (This screen may differ depending on the used OS). In this case, click the **[Cancel]** button to close the wizard.

- It is not possible to simultaneously connect both ScanSnap fi-5110EOX and fi-4110EOX series scanners (or two or more fi-5110EOX scanners) to one computer.
- If any driver of the ScanSnap fi-4110EOX or ScanSnap fi-5110EOX series has already been installed on your computer, uninstall it before starting the installation.
- When using Windows 2000 or Windows XP, log on as a user with administrator privileges.
- ScanSnap fi-5110EOX2 system requirements are:

CPU: Intel® Pentium® III 600MHz or higher (recommended: Intel® Pentium® 4 1.8GHz or higher)*

Memory: 128MB or more (recommended: 256MB or more)*

* If the CPU and the memory do not meet the recommended requirements or the USB version is 1.1, the scanning speed will slow down.



ScanSnap Manager includes the driver software for ScanSnap fi-4110EOX2 and ScanSnap fi-5110EOX. If you already have any of these: ScanSnap fi-5110EOX2 (this product), ScanSnap fi-4110EOX2, or ScanSnap fi-5110EOX, you can connect any one to your PC and use it.

2.1.1. Installing Adobe Acrobat 7.0

Please prepare the Adobe Acrobat 7.0 CD-ROM.



Adobe Acrobat 7.0 is not supported by Windows 98 and Windows Me.

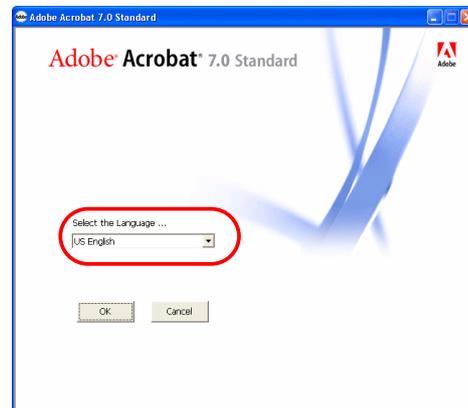
1. Insert the “Adobe Acrobat 7.0 CD-ROM” into the CD-ROM drive.

⇒ The “Adobe Acrobat 7.0 Standard” window appears.



This window is not displayed automatically when the “Auto play” setting of your computer is deactivated. In this case, please run “**AutoPlay.exe**” of this CD-ROM directly using the “Explore” or “My computer”.

2. Select the language and click [OK] button.



3. Select “Install Adobe Acrobat 7.0 Standard”.



4. Follow the instructions to install the software.



Select “How to install” on the “Adobe Acrobat 7.0 Standard” window to learn more about the Adobe Acrobat 7.0 installation. Refer to “**Adobe Acrobat Help**” about how to use Adobe Acrobat 7.0.

2.1.2. Installing ScanSnap Manager, ScanSnap Organizer, CardMinder and PDF Thumbnail View

Please prepare the ScanSnap Setup CD-ROM.

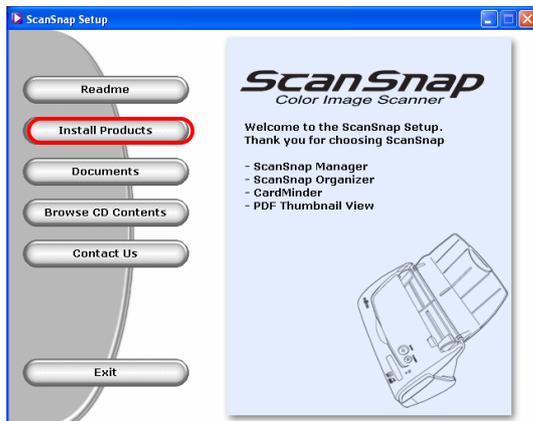
1. Insert the "ScanSnap Setup CD-ROM" into the CD-ROM drive.

⇒ The "ScanSnap Setup" window appears.



This window is not displayed automatically when the "Auto play" setting of your computer is disabled. In this case, run "Setup.exe" of this CD-ROM directly using the "Explore" or "My computer".

2. Click the [Install Products] button.

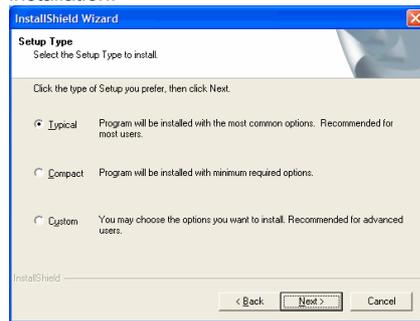


⇒ The installation of ScanSnap Manager, ScanSnap Organizer, CardMinder and PDF Thumbnail View starts up, and the wizard window appears.

3. The setup window appears. Follow the instructions on the window to install the application.



The following window appears during the installation.



[Typical] <Recommended>
"ScanSnap Manager", "ScanSnap Organizer", "CardMinder" and "PDF Thumbnail View" are installed including their manuals.

[Compact]
"ScanSnap Manager" is installed including its manual.

[Custom]
You can select the software and the manuals to install.

(When reinstalling the programs, the following 2 windows will not appear.)



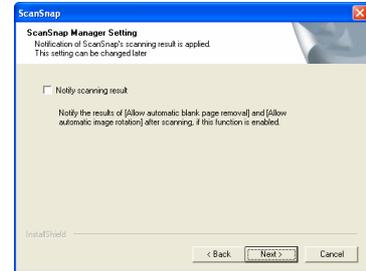
[Set the document face-down and scan (Recommended)]

Selects loading the document face-down and upside-down on the scanner.

[Set the document face-up and scan]

Selects loading the document face-up and upside up.

(Note: You can change this after installation.)



Specifies whether to carry out "Notify scanning result" after scanning.

If the check box is selected, the notification screen showing whether the following functions were carried out or not appears.

- Allow automatic blank page removal
- Allow automatic image rotation

4. After the installation is completed, please restart your computer.



Refer to the "ScanSnap Operator's Guide" to learn more about ScanSnap Manager or the installation of CardMinder.

2.2. Connecting the Scanner

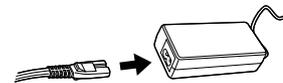
After the computer has been restarted, please connect the scanner.

2.2.1. Connecting the AC cable

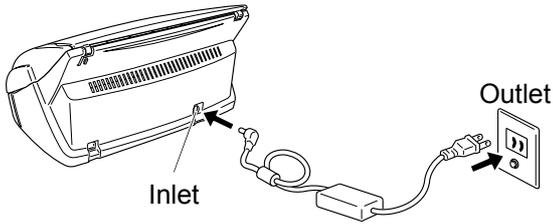


Do not use cables other than the ones supplied with this product. Use only the specified AC cables and AC adapter.

1. Connect the AC cable to the AC adapter.



2. Insert the connectors of the AC adapter to the scanner inlet and a power outlet.



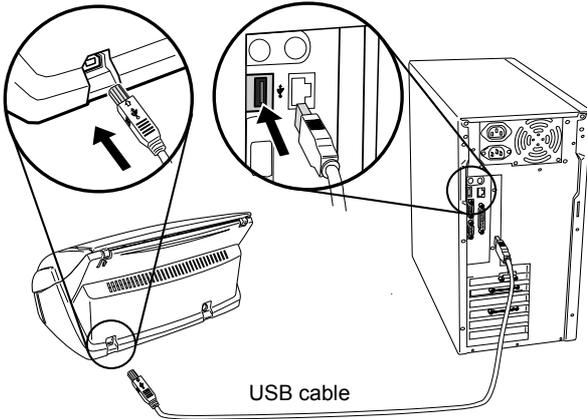
2.2.2. Connecting the USB cable

Follow the procedure below to connect the USB cable.



- Use the USB cable supplied with this scanner. The operation with a commercially available USB cable is not guaranteed.
- When connecting to a USB hub, be sure to connect the scanner to the hub nearest to your computer (first stage). If you connect it to a USB hub from the second stage onwards, ScanSnap may not operate correctly.

1. Remove the seal from the USB connector.
2. Connect the scanner and your computer with the USB cable.



3. Open the Paper chute cover of scanner.



If the scanner is not automatically turned on, press the [POWER] button on the scanner.

⇒ Your computer will automatically detect the scanner.

For Windows 98

There is a request to insert a disk. When such a message appeared, insert the Windows 98 CD-ROM into the CD-ROM drive.

Then click the [OK] button.

For Windows Me

The new hardware is detected and the installation will be completed automatically.

For Windows 2000

When [Digital Signature not Found] appears, click the [Yes] button.

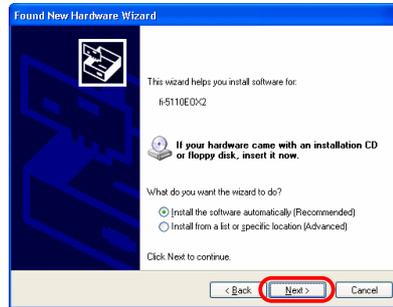
For Windows XP

- 1) When [Found New Hardware Wizard] window appears, select "No, not this time" and click the [Next >] button.

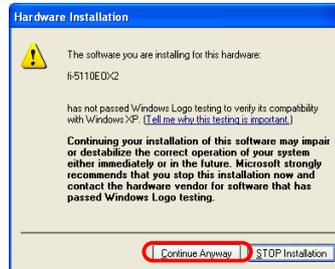


(The above window only appears when the Service Pack 2 is installed.)

- 2) Click the [Next >] button in the following window.



- 3) When [Hardware Installation] appears, click the [Continue Anyway] button.



The window to notify completion of installation appears.

- 4) Click the [Finish] button when the installation is completed.

The installation of ScanSnap is complete!



The "ScanSnap Manager" icon in the task tray is displayed as .

When the icon remains as , press the [POWER] button to turn off the scanner and then press the [POWER] button again to restart the scanner. (Allow at least 5 seconds when you turn on/off the scanner.)



When you turn off/on the scanner, press the [POWER] button for longer than one second. *For preventing mis-operation, the [POWER] button does not work unless it is pressed for longer than one second.

3. How to Use ScanSnap

This chapter describes basic operation of ScanSnap.

3.1. Scanning Documents

With “ScanSnap” you can turn paper office documents on your desk into digital files and save them just by pressing a single button. The scanned image can be viewed on the screen using the supplied applications (Adobe Acrobat, CardMinder).

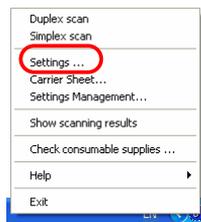
Two typical usages are:

- ① Create digital backups of general office documents in PDF format.
You can edit them later using Adobe Acrobat. Adobe Acrobat allows you to make full use of the scanned information by using the OCR (Recognize Text Using OCR) function to recognize the image of the text portion, the security function to set passwords, etc.
(Note: For information on using Adobe Acrobat, please refer to [Adobe Acrobat Help].)
- ② Scan and manage business cards. With “CardMinder”, scan, recognize and edit business cards, and export the data to a popular personal information manager application such as Outlook.

3.2. About the Scan Settings

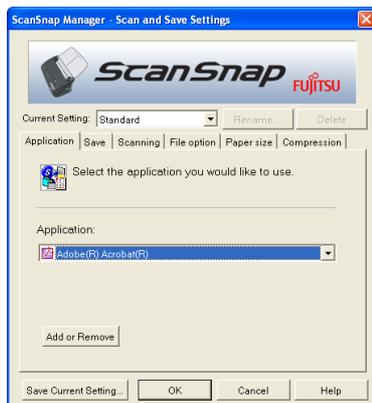
You can change ScanSnap settings by using “ScanSnap Manager”.

1. Right-click the “ScanSnap Manager icon”  on the task tray and select [Setting ...] from the following menu.



⇒ The “Scan and Save Settings” window opens.

2. Change the scan settings on the “Scan and Save Settings” window.



There are six tabs used to configure the scan options:

[Application]

Select the application for viewing/editing the scanned images.

[Save]

Specify the folder and file name to save the scanned images.

[Scanning]

Specify the quality of the scanned image.

[File option]

Select the file format (PDF, JPEG) for saving the scanned images.

[Paper size]

Select the size of the document to be scanned.

[Compression]

Select the compression rate of a file.

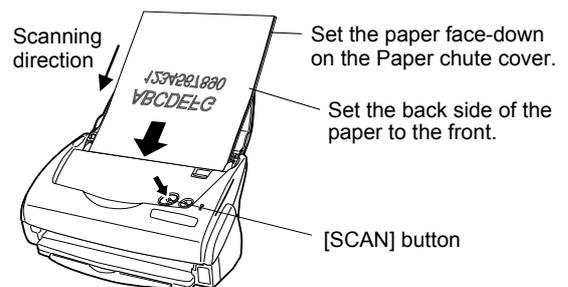


Refer to the “ScanSnap Operator’s Guide” in the “ScanSnap Setup CD-ROM” to learn more about these settings.

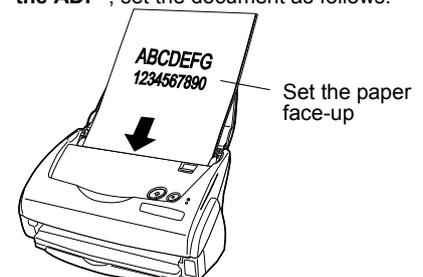
3. Click the [OK] button to finish the configuration.
⇒ The new settings are enabled.

3.3. Scanning Office Documents

1. Select “Adobe Acrobat” at “Application:” under the [Application] tab of “Scan and Save Settings”.
2. Load the documents onto the scanner.



In [step 3](#) of “2.1.2 Installing ScanSnap Manager, ScanSnap Organizer, CardMinder and PDF Thumbnail View”, if you select “Allow documents to be scanned face up through the ADF”, set the document as follows.



3. Press the [SCAN] button.

⇒ Scanning starts.

⇒ When the scanning is completed, Adobe Acrobat starts and displays the scanned images.



- You can also use another application to display scanned images.
- Pressing [SCAN] button, the documents are scanned in the "Duplex" mode. To scan the document in the Simplex mode, change this setting using the ScanSnap Manager .
- The ScanSnap scanner is able to scan documents using various settings. Refer to the "ScanSnap Operator's Guide" on the "ScanSnap Setup CD-ROM" to learn more about scanning documents.

3.4. Scanning with the Carrier Sheet

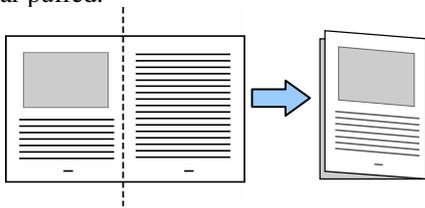
If you use the Carrier Sheet, you can scan large documents such as A3/B4/11x17 size documents, and documents of irregular shapes such as clippings of newspaper.

Here, as an example, this section explains how to scan an A3-size document.

If you are scanning an A3 document, it is not possible to load it onto the scanner as it is. Fold the document in half and scan it following the procedure below.

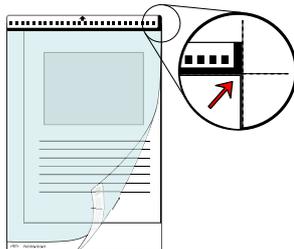
1. Spread the page to be scanned facing outwards and fold it in half from the center.

Please fold it neatly so that the folded portion does not appear puffed.



2. Open the Carrier Sheet and place the folded document inside.

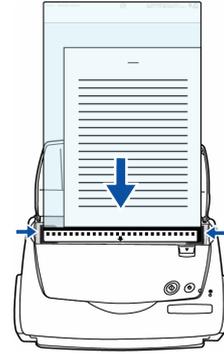
Align the top of the document to the top of the Carrier Sheet, and the folded portion to the top-right corner closely.



3. Set the Carrier Sheet onto the scanner.

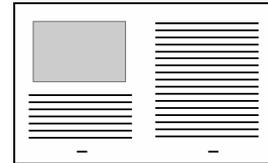
Place the top of the sheet with the black & white printed pattern downwards, and load the document in the direction of the arrow.

If you are using the Carrier Sheet for scanning, it is not possible to scan several sheets continuously. Please load the sheets one by one and scan.



4. Press the [SCAN] button.

⇒ The front and back image data are set in a facing-page state and is output side by side.



The loading method and ScanSnap Manager's settings differ according to the documents to be scanned. Refer to "ScanSnap Operator's Guide" on the "ScanSnap Setup CD-ROM" for details.

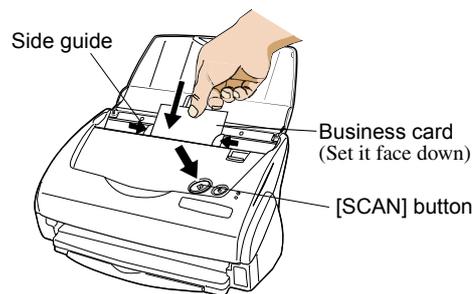
3.5. Scanning Business Cards

1. Select "CardMinder" at [Application:] under the [Application] tab of the "Scan and Save Settings" window.



- When "CardMinder" is selected, only the [Application] and [Scanning] tabs are enabled.
- Refer to the "ScanSnap Operator's Guide" on the "ScanSnap Setup CD-ROM" to learn more about the settings.

2. Load the business cards onto the scanner. Adjust the side guides to the business card width.

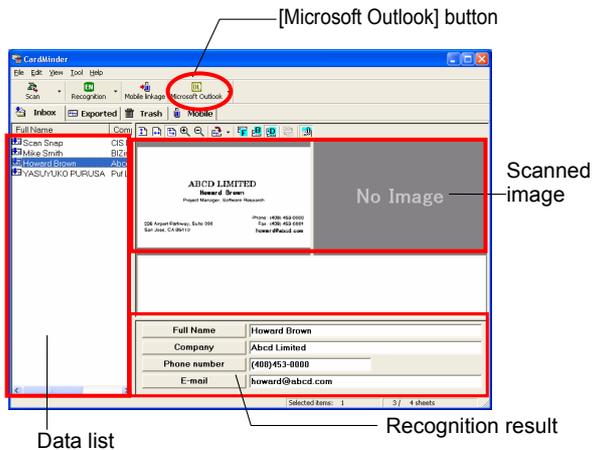


3. Press the [SCAN] button.

⇒ Scanning starts.

⇒ The "CardMinder" window appears and displays the recognized character data, name, company, and e-mail address.

- The following window appears. Select a business card from the Data list. Check the data in the Recognition result field of this window. Correct the data if there is any recognition mistake.



- For Outlook, confirm the business card data and select the cards you wish to export to Outlook. Click the [Microsoft Outlook] button on the Toolbar. Then the data is exported to Outlook.



You can export the data (recognition results) to the following applications:

- Microsoft® Outlook®
- Outlook Express
- ACT!™
- GoldMine®

Or you can also save the data in CSV format to export them to other applications, such as Excel. Refer to the **“CardMinder User’s Guide”** for details.

- Start Outlook to confirm the imported business card data.
- To close “CardMinder”, select [Exit] in the [File] menu.



“CardMinder” provides also various other functions. Refer to **“CardMinder User’s Guide”** on the **“ScanSnap Setup CD-ROM”** for details.

3.6. About PDF Thumbnail View

“PDF Thumbnail View” is a program that allows you to use Windows Explorer for viewing PDF file thumbnails. It is disabled by default.

(*This program can be installed only in **Windows 2000** or **Windows XP**.)

Enabling PDF Thumbnail View

- On the [Start] menu, select [All Programs] – [PDF Thumbnail View] – [Configuration Tool].
 - Select **“Enable”** and click the [OK] button on the **“PDF Thumbnail View Function Settings”** window.
- ⇒ You can see the thumbnail images of PDF files with the Windows Explorer just like bitmap or JPEG images.



Refer to the **“ScanSnap Operator’s Guide”** on the **“ScanSnap Setup CD-ROM”** for details.

3.7. ScanSnap Organizer

ScanSnap Organizer is an application that manages the thumbnail display of image files such as PDF and JPEG files.

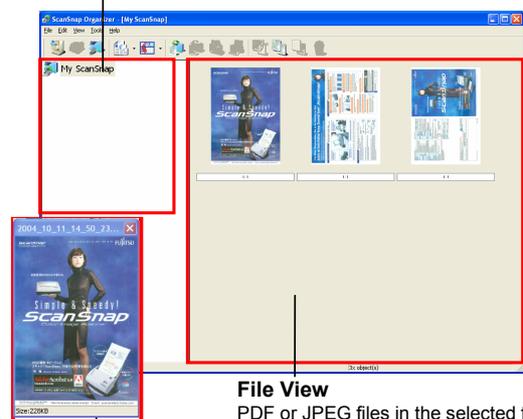
Files scanned in ScanSnap can be viewed without opening them. You can also create folders, and arrange files for these folders for different purposes.

Also, for files with multiple pages, you can check the images by turning the pages on the thumbnail displayed.

From the [Start] menu, when you select [All Programs] – [ScanSnap Organizer] – [ScanSnap Organizer], the screen below appears.

Folder View

Folders selected in ScanSnap Organizer are displayed.



File View

PDF or JPEG files in the selected folder are displayed as thumbnails.

Pop-up Thumbnail Window

The selected page is displayed in a pop-up window.

Thumbnail Image

Displays a miniature image of the file.



Page Number

Shows (current page number/total page number).

“Zoom-in/Zoom-out” Button

Magnifies or reduces the “Pop-up Thumbnail Image”.

Page Forward button

If a file has multiple pages, you can page forward to any page to see the thumbnail.



Refer to **“ScanSnap Operator’s Guide”** on the **“ScanSnap Setup CD-ROM”** for details.

4. Troubleshooting

This chapter describes common problems during the usage of ScanSnap and how to remedy them.

4.1. Troubleshooting Checklist

Before you ask for repair service, please check the following items.

If you cannot solve the problem even after checking the following items, contact the store where you purchased the scanner, or contact an authorized FUJITSU scanner service provider.

| Symptom | Check This Item | Remedy |
|----------------------------------|---|---|
| The scanner cannot be turned on. | Are the AC/USB cable and AC adapter connected correctly? | Correctly connect the AC/USB cable and AC adapter. Disconnect the AC adaptor/cable and reconnect them again. (Note: Please wait at least 5 seconds before reconnecting the AC cable.) |
| | Is the Paper chute cover closed? (The scanner's power supply is controlled by closing/opening the Paper chute cover.) | Open the Paper chute cover. |
| | Is Windows normally started up? (This scanner's power is controlled by turning on/off the computer.) | Please wait until Windows has started up completely. The  LED may turn off when Windows is starting up or the scanner is in low power mode. |
| | Did you push the [POWER] button to turn off the scanner? (The scanner can be turned off by pressing [POWER] button when the paper chute cover is opened.) | Press the [POWER] button on the scanner. |
| Scanning does not start. | Is the USB cable properly connected? | Correctly connect the USB cable. (When a hub is used, check the hub's power supply.) |
| | Does the  LED light blink repeatedly? | Disconnect the AC adaptor/cable and reconnect them again. (Note: Please wait at least 5 seconds before reconnecting the AC or USB cable.) |
| | Is ScanSnap Manager started? (If ScanSnap Manager is started successfully, the "ScanSnap Manager" icon  appears on the task tray.) | If the "ScanSnap Manager" icon is not displayed, on the [Start] menu, select [Programs] - [ScanSnap Manager] - [ScanSnap Manager] to start up ScanSnap Manager. |
| | Is ScanSnap Manager running normally? (If ScanSnap Manager is not running normally, the "ScanSnap Manager" icon in the task tray is displayed as  .) | Perform the following procedure: 1. Perform "Scan for hardware changes" or "Refresh" from Device Manager. (*1) If the situation does not improve, perform step 2. 2. Disconnect and re-connect the AC cable and the AC adapter (Please wait at least 5 seconds before turning on the power again.). If this does not change the state, please perform step 3. 3. If an USB hub is used, directly connect ScanSnap to your PC. If this does not change the state, please perform step 4. 4. If your PC has multiple USB ports, connect ScanSnap with other port(s). If this does not change the state, perform step 5. 5. Restart your PC. If none of the above operations resolve the problem, uninstall and re-install ScanSnap Manager following the procedure given at (*2) |
| | Is the "Scan and Save Settings" window still displayed? | Close the "Scan and Save Settings" window, and scan the document. |

| Symptom | Check This Item | Remedy |
|--|---|---|
| Vertical lines appear in the scanned image. | Is the inside of the ADF dirty? | Clean the inside of the ADF following the instructions in "5. Daily Care" . |
| The generated image shifts or is distorted. | Is the document loaded correctly? | Load the document correctly. |
| The image scanned is too light or too dark. | Is the "Brightness (Black and White scanning only)" setting on [Option...] of the [Scanning] tab set to extremely Light or Dark? | Adjust "Brightness" at [Scanning] - [Option...] in the "Scan and Save Settings" window. |
| Lines on the document are blurred. (Example: Ruled lines on a table cannot be seen.) | Are you scanning in color mode, documents including handwritten or typed text, tables or frames with ruled lines? | The color mode is used for capturing colored images like photos in high quality. For other documents including textual content, select the check box for [Setting for text only document] at [Scanning] - [Option] in the "Scan and Save Settings" window. |
| Scanning speed is very slow. | Does your PC satisfy the recommended system requirements? | Check the system requirements in section 2.1, "Before Installing", of the Operator's Manual. Scanning speed will be slower whenever the CPU and memory requirements are not met. If this is the case, at [Scanning] - [Option...] in the "Scan and Save Settings" window, clear the check boxes of the following to increase the scanning speed. - Allow automatic image deskew - Allow automatic image rotation |
| | Is the USB 1.1 connected? Note: When using an USB1.1 interface, the data transfer rate may be slower due to large data sizes. | If your PC has an USB 2.0 port, connect the scanner to this port. (If using a USB hub, it must also support USB 2.0 interfaces.) (*3) |
| Multi-feeds (*4) occur frequently. | Is the Pad ASSY dirty? | Clean the Pad ASSY following the instructions in "5.3. Cleaning Inside of the scanner" . |
| | Is the Pad ASSY worn out? | Replace the Pad ASSY following the instructions in "6.2. Replacing the Pad ASSY" . |
| | Is the document stack thicker than 5 mm? | Reduce the number of sheets of the document stack to 5 mm thickness or less. |
| Paper is not fed (stops midway). | Is the Pick roller dirty? | Clean the Pick roller following the instructions in "5.3. Cleaning Inside of the scanner" . |
| | Is the Pick roller worn out? | Clean the Pick roller following the instructions in "6.3. Replacing the Pick Roller" . |
| | Are there any debris on the document feeding path? | Remove any debris from the document feeding path. |
| | Do the loaded documents satisfy the conditions described in section 3.2 on the Operator's Guide? If not, they might not pass smoothly through the ADF. | Try the following: • Slightly push through with your finger the first sheet of the documents at the start of scanning. • Change the insertion direction of the document. |
| The scanner is not recognized even if ScanSnap Manager is installed. | Did you connect the scanner to your PC before installing ScanSnap Manager? Is the scanner registered as "Other device" in the "Device Manager"? | On the [Start] menu, select [Control panel] - [System] - [Hardware] - [Device Manager]. Delete the device name (such as USB device, differs with the OS) under "Other Device" selection in the [Device Manager] and restart your PC. |
| The file size of a scanned black & white image is the same as for a color document. | Is the B&W document scanned in the color mode? | Select "B&W" at [Color mode:] on the [Scanning] tab in the "Scan and Save Settings" window. |

| | | |
|--|--|--|
| The rear side of the document appears in the scanned image when scanning a double-sided document (noise of back side image). | Is the "Setting for text only document." check box cleared at [Option...] on the [Scanning] tab in the "Scan and Save Settings" window? | Select the "Setting for text only document." check box. (Available only in color mode) which makes characters, lines and contrasts appear sharp and clear, and the noise of the backside image is eliminated. Please note that you can use this mode also for documents including photos and illustrations. However the contrasts and colors might be affected. |
| Scanned images are not displayed on the screen (when "Allow automatic blank page removal" is enabled). | When "Allow automatic blank page removal" is enabled, almost blank documents with only a few characters may be accidentally recognized as blank pages and removed from scanned image data. | Right click "ScanSnap Manager" icon on the task bar, select [Setting...] - [Scanning] tab and click the [Option...] button. Then clear the "Allow automatic blank page removal" check box. |
| Scanned images are skewed (when "Allow automatic image deskew" is enabled). | Are the documents fed into the ADF skewed more than +-5 degrees? | The "Allow automatic image deskew" function can correct skewed images up to +-5 degrees. Load the document onto the scanner so that the document skew does not exceed this limit. If it does not improve even after you have tried this method, clear the check box for "Allow automatic image deskew" on [Option] of the [Scanning] tab of [Scan and Save Settings]. |
| | Depending on the contents of document, the automatic image deskew may not work properly. | Refer to Operator's Guide section 3.4. |
| The orientation of scanned documents is not displayed correctly (when "Allow automatic image rotation" is enabled). | Depending on the contents of document, the automatic image rotation may not work properly. | Refer to Operator's Guide section 3.4 |

*1) For Windows XP, From "Device Manager", right click on computer name and perform "Scan for hardware changes".

*2) Confirm that PC and ScanSnap are powered on and connected properly.

- From Device Manager, check if ScanSnap is recognized as unknown device. If so, delete it from [Control Panel] - [System].
- Close ScanSnap Manager
- Go to [Control Panel] - select [Add or remove Programs] and uninstall ScanSnap Manager and ScanSnap Organizer. (Refer to Operator's Guide section 4.1.)
- Before restarting your PC, remove the following folders and files.



When you delete the following folders and files, pay extra attention not to remove any other folders or files, since this will affect your system environment.

For Windows 2000, Windows XP:

Delete the folder ScanSnap under:

c:\Documents and Settings\<User name>\Application Data\PFU\

Delete the folder Driver under:

c:\Program Files\PFU\ScanSnap\

For Windows 98, ME:

Delete the folder Driver under:

c:\Program Files\PFU\ScanSnap\

After you have removed the above given folders, please confirm if the files

- fi5110e.INT
- fi5110e.PNF

In the folder C:\Windows\Inf have been deleted. If this is not the case, please remove also these two files.



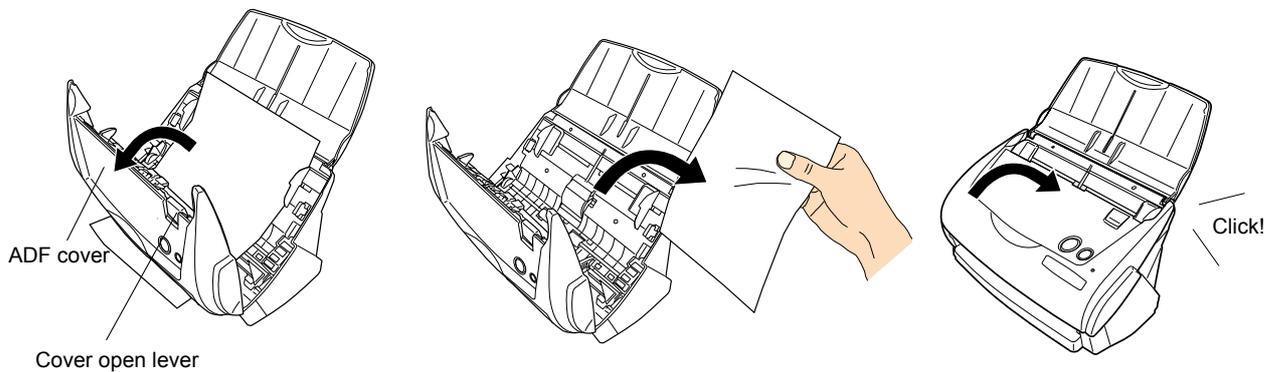
Please note, that the folder C:\Windows\Inf may be hidden. To confirm the above given two files and remove them, please select from the menu bar of the [Explorer] - [Tools] - [Folder Options...] and select then the [View] tab. In this tab, please check if the checkbox of [Show hidden files and folders] under [Hidden files and folders] is marked. After marking this checkbox and applying the setting, the hidden C:\Windows\Inf folder becomes visible and you can check if the fi5110e.INT and fi5110e.PNF files are existing. If they do, please remove them.

- After removing the above given folders (files), restart your computer with ScanSnap disconnected.
 - Reinstall ScanSnap Manager and restart.
- *3) To confirm whether the scanner is connected with USB1.1 or USB2.0, right-click ScanSnap icon on the task and select [Help] - [About ScanSnap Manager], then click [Detail] button on [Version Information] window. [USB type] is displayed in [Scanner information].
- *4) "Multi-feed" is a phenomenon when two or more sheets of paper are fed simultaneously into the scanner.
- * Visit our Web site for your reference. Other useful information will be posted on the FAQ corner at the following Web site.

<http://scansnap.fujitsu.com>

4.2. Clearing Paper Jams

1. Open the ADF while pulling the Cover open lever.
2. Remove the jammed document.
3. Close the ADF cover.



⇒ You should hear the ADF cover click into position when it returns to its original position.

5. Daily Care

This chapter describes how to clean the ScanSnap scanner.



Fire/Electric Shock

Before cleaning the scanner, disconnect the AC adapter from the power outlet.

5.1. Cleaning Materials

| Cleaning Materials | Parts No. | Remarks |
|--------------------|--------------|---|
| Cleaner F1 | CA99501-0013 | 1 bottle (100ml) Moisten cloth with this fluid and wipe the scanner clean. (*1) |

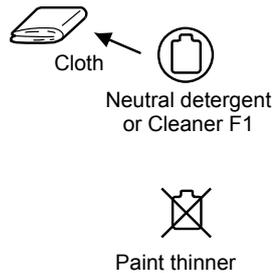
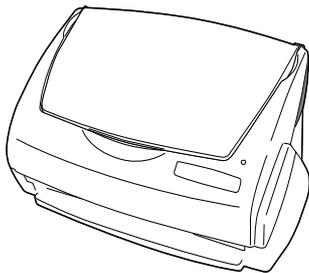
*1) To purchase the cleaning material, contact the FUJITSU scanner dealer where you purchased the scanner.

5.2. Cleaning the Scanner Exterior

Clean the scanner exterior and the Paper chute cover with a dry cloth or a cloth moistened with a small amount of neutral detergent or Cleaner F1 (sold separately).



- Never use paint thinner or other organic solvents.
- During the cleaning, take care not to let water or other moistures getting into the inside of the scanner.
- Do not use aerosol sprays to clean the scanner. Aerosol sprays cause dirt and dust to enter the scanner, resulting in scanner failure, scanner malfunction and image error.



5.3. Cleaning Inside of the scanner

Clean inside of the scanner with a cloth moistened with cleaner F1.

In an alternating succession of scanning documents, the accumulated paper-powder and dust inside the scanner causes a scanning error.

As a guideline, clean the ADF every 1,000 scans. Note that this guideline varies according to the type of document you are scanning. For example, the ADF has to be cleaned more frequently when scanning photocopied documents on that the toner has not been sufficiently fixed on.

Clean the ADF according to the following procedure

referring to the illustrations.



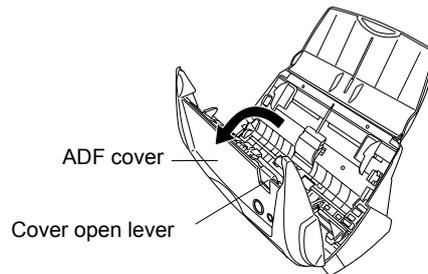
The glass surface inside the ADF becomes hot during the scanner operation.

Before you start cleaning the inside of the scanner, disconnect the AC adapter from the outlet, and wait at least 15 minutes to let the scanner cool down.

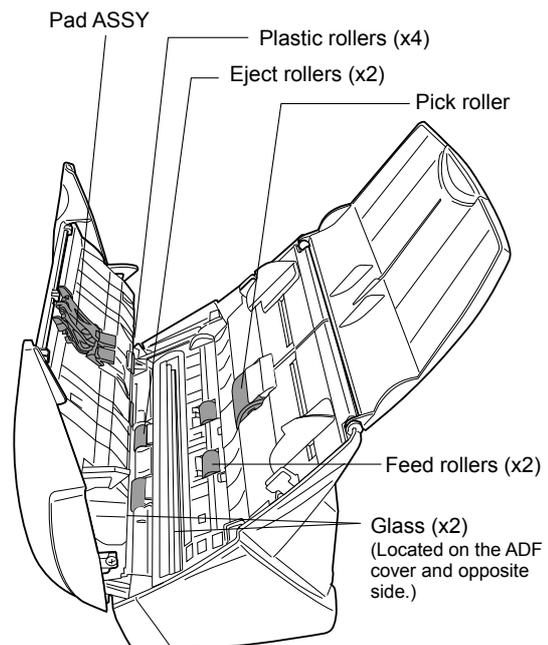


- Never use water or neutral detergent to clean the inside of the scanner.
- Do not use aerosol sprays to clean the scanner. Aerosol sprays cause dirt and dust to enter the scanner, resulting scanner failure and malfunction.

1. Open the ADF cover while pulling the Cover open lever.



2. Clean the following locations with a cloth moistened with the Cleaner F1.



Pad ASSY (x1)

Clean the Pad ASSY downward. When cleaning the Pad ASSY, take care to prevent the cloth from catching on the pick spring.

Glass (x2 on the ADF cover and the opposite side)

Clean lightly.

Pick roller (x1)

Clean lightly taking care not to scratch and damage the surface of the roller. Take particular care when cleaning the Pick roller as black debris on the roller adversely affects the pickup performance.

Plastic rollers (x4 on the ADF cover)

Clean them lightly while rotating the rollers with your fingers. Take care not to roughen the surface of the rollers. Take particular care when cleaning the plastic rollers, as black debris on the rollers adversely affects the pickup performance.

Turn on the scanner before cleaning the following locations. Clean the following rollers, while rotating them.

Feed rollers (x2)

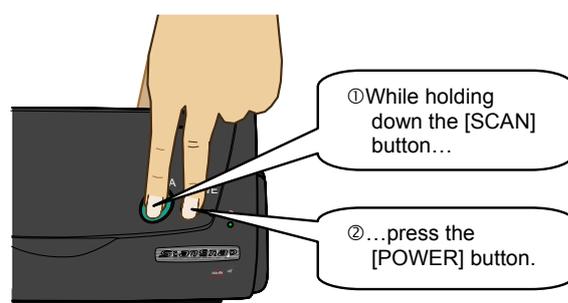
Clean the rollers lightly taking care not to roughen the surface of the rollers. Take particular care when cleaning the feed rollers, as black debris on the rollers adversely affects the pickup performance.

Eject rollers (x2)

Clean the rollers lightly taking care not to roughen the surface of the rollers. Take particular care when cleaning the exit rollers, as black debris on the rollers adversely affects the pickup performance.

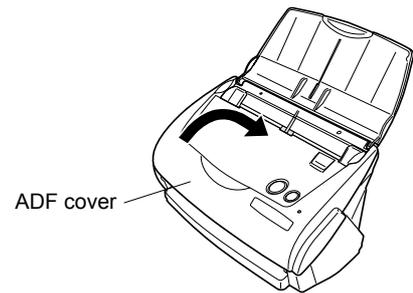
To rotate the feed rollers and the eject rollers, press the [POWER] button while holding down the [SCAN] button.

As a guideline, six presses of the [POWER] button make the rollers to rotate one full turn.



Connect the AC adapter and AC cable only when cleaning the Feed rollers and the Eject rollers.

3. Close the ADF cover.



When you closed the ADF, make sure that it is completely closed. Otherwise, paper jams or other feeding troubles may occur.

5.4. Cleaning the Carrier Sheet

While using the Carrier Sheet continuously, dirt and dust may stick onto the surface or the interior.

When you use the Carrier Sheet continuously, please clean it regularly, as that may be the cause of scanning error.

<Cleaning method>

Use a dry, soft cloth, or a soft cloth slightly moistened with Cleaner F1 or a mild detergent to lightly clean off the dirt and dust from the surface and the interior of the Carrier Sheet.



- Never use paint thinner or other organic solvents.
- Do not rub too hard. Otherwise, the Carrier Sheet may be scratched or be deformed.
- After cleaning the interior of the Carrier Sheet with Cleaner F1 or a mild detergent, close the Carrier Sheet after it has completely dried.
- As a guideline, it is recommended to replace the Carrier Sheet every 500 scans. Refer to "6.4 Purchasing Carrier Sheet" for details on purchasing the Carrier Sheet.

6. Consumables/Carrier Sheet

This chapter describes how to replace and purchase consumables and regular replacement parts.



Fire/Electric Shock

Before you replace the consumables of this scanner, disconnect the AC adapter from the outlet to turn off the scanner.

6.1. Part Numbers and Replacement Cycle of Consumables

The following table lists the part numbers of consumables and shows rough guidelines for replacing these parts.

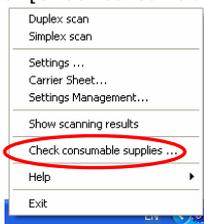
| No. | Description | P/N | Replacement Cycle |
|-----|------------------------|--------------|---------------------------|
| 1 | fi-5110EOX Pad ASSY | PA03360-0002 | 50,000 scan or one year |
| 2 | fi-5110EOX Pick roller | PA03360-0001 | 100,000 scans or one year |

These replacement cycles are rough guidelines when A4/Letter wood-free paper 64 g/m² (17 lb) is used. The actual cycle may differ depending on the scanned paper. Use only the consumables specified by PFU LIMITED.



To estimate when the consumables will have to be replaced and to get an overlook of the already scanned pages, please refer to the following:

1. Right click the "ScanSnap Manager" icon  on the task tray.
2. Click [Check consumable supplies] at the menu.



(The screen ("Check consumable status" window) that indicates how many times consumables have been used will be displayed.

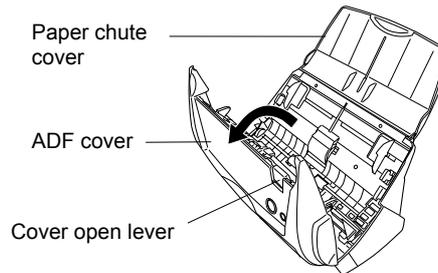
Replace the consumables referring to "Target to change supplies" as a rough guideline. For details about consumables and where to purchase them, visit the following Website or contact the store where you purchased your scanner.

[Website] <http://scansnap.fujitsu.com/>

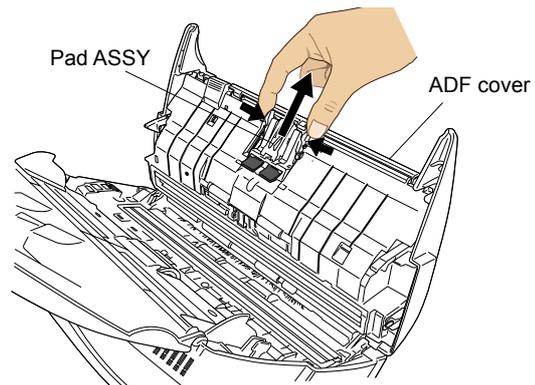
6.2. Replacing the Pad ASSY

Replace the Pad ASSY following the procedure below.

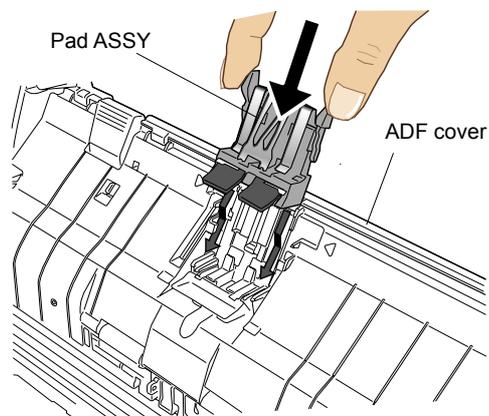
1. Remove the documents on the Paper chute cover.
2. Open the ADF cover while pulling the Cover open lever.



3. Remove the Pad ASSY. Pull out the Pad ASSY in the direction of the arrow while holding both ends of the Pad ASSY.

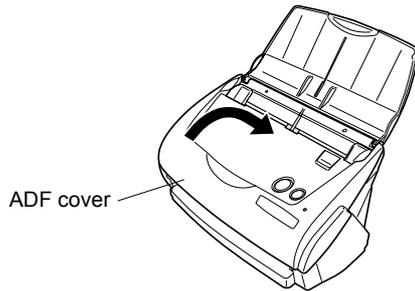


4. Attach the new Pad ASSY.



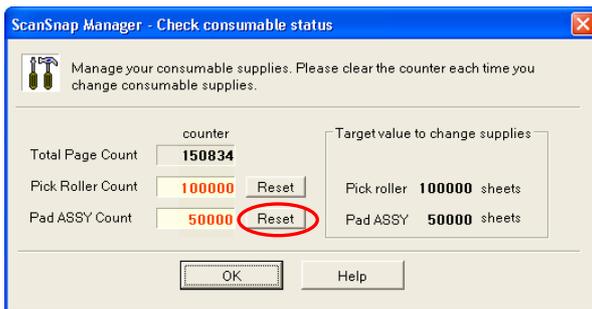
Make sure that the Pad ASSY is completely attached. Otherwise, document jams or other feeding errors may occur.

5. Close the ADF cover



⇒ You should hear the ADF cover click into position when it returns to its original position.

6. Turn on the scanner.
 - ⇒ ScanSnap Manager icon changes from  to .
7. Right click the "ScanSnap Manager" icon  on the task tray, and select [Check consumable supplies] from the menu.
8. In the "Check consumable status" window, click the [Reset] button of Pad ASSY Count.

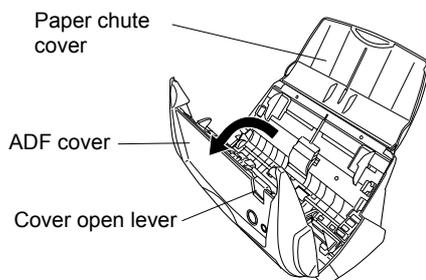


⇒ The counter is reset to "0".

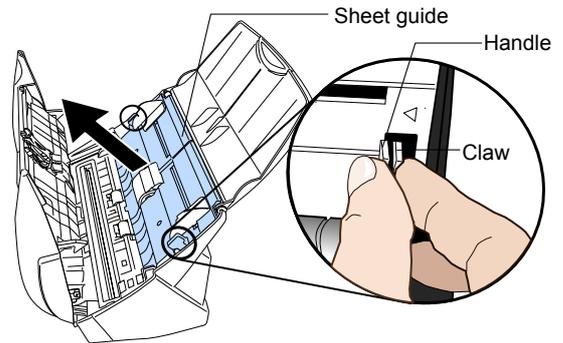
6.3. Replacing the Pick Roller

Replace the Pick roller following the procedure below.

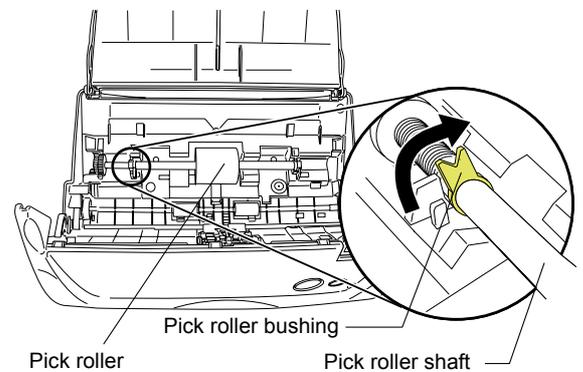
1. Remove the document on the Paper chute cover.
2. Open the ADF cover while pulling the Cover open lever.



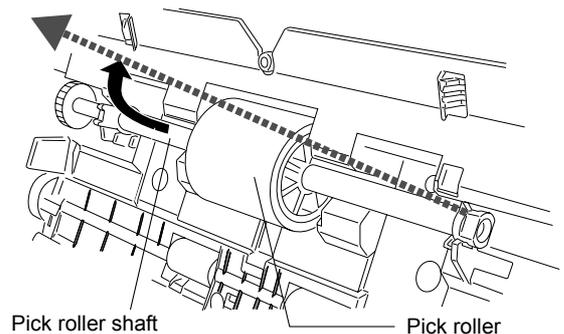
3. Remove the Sheet guide. Pinch the handle on the Sheet guide to remove it.



4. Rotate the Pick roller bushing (Left) in the direction of the arrow.

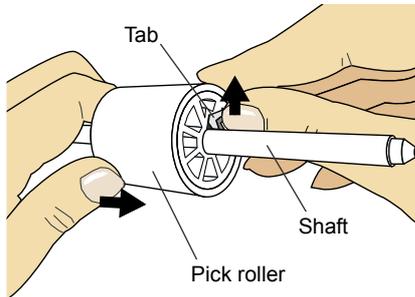


5. Remove the Pick roller with its shaft. Hold the left part of the shaft, and raise it to remove the shaft from the scanner while pulling the shaft to the left.

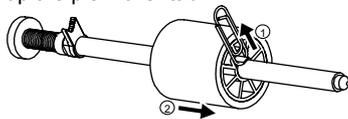


If the around the pick roller is dirty by paper-powder, it may cause a scanning error. Please remove the dirt using a dry cloth with dollop of Cleaner F1.
* Don't use water, mild detergent or air-spray.

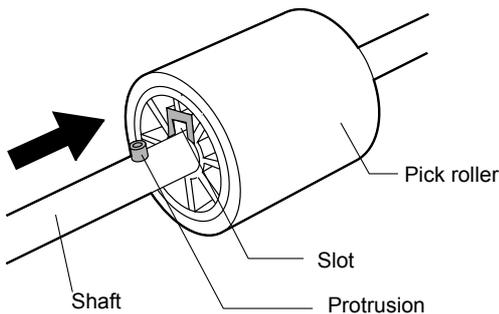
6. Remove the Pick roller from the shaft. Pull out the shaft from the Pick roller while lifting up its tab.



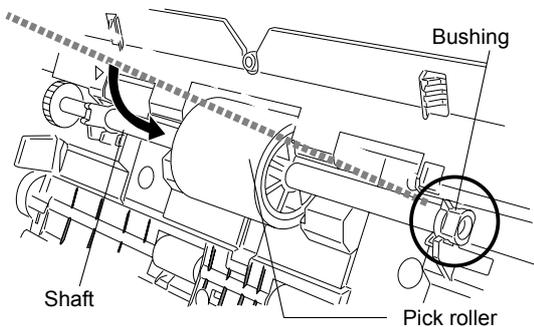
If you push up the pick roller tab using your fingernail, your fingernail may be hurt or get chipped. If you cannot push it up successfully with your fingernail, use a paper clip to push up the pick roller tab.



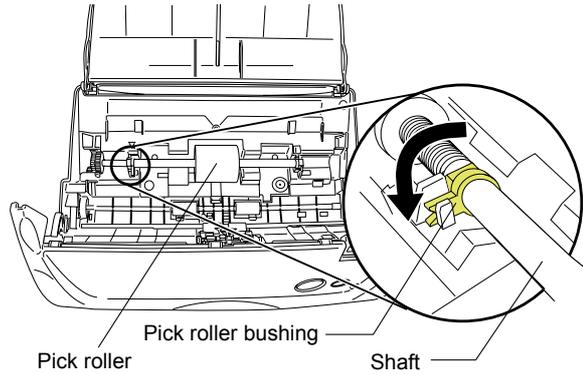
7. Attach the new Pick roller to the shaft. Insert the shaft aligning the protrusion with the slot on the new Pick roller.



8. Install the Pick roller with its shaft into the bushing and set the shaft to the slot while lowering it.

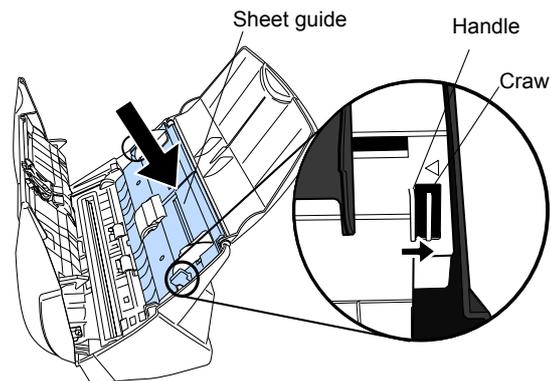


9. Fix the Pick roller bushing (left) by rotating it in the direction of the arrow.



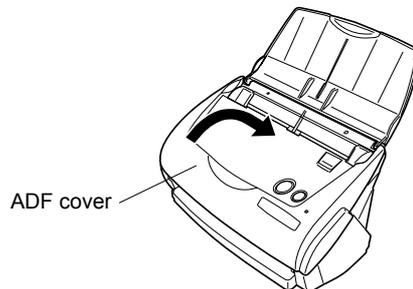
Make sure that the Pick roller is completely attached and correctly installed. Otherwise, document jams or other feeding errors may occur.

10. Attach the sheet guide to the scanner. While holding the handle on the sheet guide, set the sheet guide into the scanner.



⇒ You should hear the sheet guide click when it returns to its original position.

11. Close the ADF.



⇒ You should hear the ADF cover click when it returns to its original position.

12. Turn on the scanner.

⇒ ScanSnap Manager icon changes from  to .

13. Right click the "ScanSnap Manager" icon  on the task tray, and select [Check consumable supplies] from the menu.
14. In the "Check consumable status" window, click the [Reset] button of the Pick Roller Count.



6.4. Purchasing the Carrier Sheet

If the "Carrier Sheet" bundled in this product cannot be used for scanning due to damage or wear-and-tear, you can purchase just the Carrier Sheet separately.

As a guideline, it is recommended to replace the Carrier Sheet every 500 scans.

However, it differs according to usage. If scratches and dirt are conspicuous, please replace the Carrier Sheet accordingly.

The description of the Carrier Sheet (also sold separately) and part number are as follows:

| Description | Qty | P/N |
|---|-------|-------------|
| ScanSnap Carrier Sheet  | 5 pcs | FI-511ES-WW |

P3PC-1142-02FR

Scanneur d'image couleur

ScanSnap^{MC}

fi-5110EOX2

Instructions préliminaires



Veuillez lire ce guide avec soin avant de relier le scanneur à votre ordinateur.

FUJITSU

Table des matières

| | |
|--|-----------|
| Introduction | 1 |
| 1. Préparation | 5 |
| 1.1 Vérifier le contenu de l'emballage | 5 |
| 1.2 Noms et fonctions des composants | 5 |
| 2. Branchement de ScanSnap | 6 |
| 2.1 Installation des logiciels fournis..... | 6 |
| 2.1.1 Installation d'Adobe Acrobat 7.0 | 6 |
| 2.1.2 Installer ScanSnap Manager, ScanSnap Organizer, CardMinder et PDF Thumbnail View | 6 |
| 2.2 Branchement du scanner | 8 |
| 2.2.1 Brancher le câble d'alimentation c.a. | 8 |
| 2.2.2 Branchement du câble USB | 8 |
| 3. Utilisation de ScanSnap | 10 |
| 3.1 Numérisation des documents | 10 |
| 3.2 À propos des paramètres de numérisation | 10 |
| 3.3 Numérisation des documents de bureau..... | 11 |
| 3.4 Utilisation du Transparent | 11 |
| 3.5 Numérisation de cartes de visite | 12 |
| 3.6 À propos de PDF Thumbnail View | 12 |
| 3.7 À propos de ScanSnap Organizer..... | 13 |
| 4. Dépannage | 14 |
| 4.1 Liste de points à vérifier | 14 |
| 4.2 Dégagement des bourrages papier | 18 |
| 5. Entretien | 19 |
| 5.1 Produits de nettoyage..... | 19 |
| 5.2 Nettoyage des éléments externes du scanner..... | 19 |
| 5.3 Nettoyage des éléments internes du scanner..... | 19 |
| 5.4. Nettoyage du Transparent | 20 |
| 6. Remplacement des consommables/du transparent..... | 21 |
| 6.1 Numéro des éléments et fréquence de remplacement..... | 21 |
| 6.2 Remplacement du séparateur | 21 |
| 6.3 Remplacement du rouleau de sélection/prise..... | 22 |
| 6.4 Pour vous procurer un Transparent | 24 |

© PFU LIMITED, 2005.

Le contenu de ce manuel est sujet à modification sans préavis.

Aucune partie de ce manuel ne peut être reproduite sous quelque forme que ce soit sans autorisation préalable.

LISEZ SOIGNEUSEMENT TOUT CE MANUEL AVANT D'UTILISER VOTRE APPAREIL. AFIN D'ÉVITER TOUTE BLESSURE INVOLONTAIRE À VOUS OU À TOUTE AUTRE PERSONNE PRÉSENTE, VEUILLEZ RESPECTER LES INSTRUCTIONS QUI VOUS SONT FOURNIES AINSI QUE LEUR ORDRE.

Bien que tous les efforts possibles aient été fournis pour garantir l'exactitude de toutes les informations contenues dans ce manuel, PFU LIMITED n'assume aucune responsabilité envers quelque partie que ce soit pour tout dommage résultant d'erreur, d'oubli ou de déclaration de quelque sorte que ce soit dans ce manuel, ses mises à jour ou suppléments, que de telles erreurs soient des oublis ou des déclarations résultant de négligence, d'accident ou de toute autre cause.

De plus, PFU LIMITED n'assume aucune responsabilité découlant de l'application ou de l'utilisation de tout produit ou système décrits dans la présente, ni aucune responsabilité pour des dommages indirects ou consécutifs résultant de l'utilisation de ce manuel.

PFU LIMITED décline toutes les garanties concernant les informations contenues dans les présentes, qu'elles soient explicites, implicites ou légales. PFU LIMITED décline toute responsabilité concernant les dommages résultant de l'utilisation de ce scanner et de l'exécution des manipulations décrites dans le présent guide ou concernant la perte de profits causée par des défauts et toute réclamation de tiers.

Introduction

Nous vous remercions d'avoir choisi le Scanneur d'Image Couleur ScanSnap fi-5110EOX2. Le ScanSnap fi-5110EOX2 comprend un scanneur d'image couleur et des applications de bureau. C'est une solution de bureau complète conçue pour améliorer votre productivité et résoudre vos problèmes de numérisation au bureau. Les caractéristiques du ScanSnap sont les suivantes :

Appuyez simplement sur un bouton du scanneur et vos images sur papier sont transformées en documents PDF !

Vous pouvez convertir au format PDF tous les documents qui encombrant votre bureau pour ensuite pouvoir les gérer et les archiver dans votre ordinateur. Vous pouvez utiliser le logiciel Adobe^{MD} Acrobat^{MD} fourni avec ce scanneur pour afficher ces documents PDF.

Par ailleurs, le ScanSnap peut automatiquement reconnaître le type de document à numériser, qu'il soit en couleurs ou en noir et blanc. Ainsi, les fichiers des images numérisées peuvent être réduits, même si les documents forment un mélange de pages couleurs/noir & blanc au moment de la numérisation. Vous pouvez également régler le scanneur pour qu'il ignore automatiquement les pages vierges éventuelles. Ainsi, la taille de vos fichiers s'en trouve encore plus réduite.

Une numérisation sans effort !

Avec une moyenne de 15 pages par minute, vous pouvez numériser des documents couleur A4 recto- verso. (À condition que votre ordinateur soit doté d'Intel^{MD} Pentium^{MD} 4 1.8GHz ou plus, et d'un des systèmes d'exploitation suivants : Windows^{MD} 98, Windows^{MD} Me, Windows^{MD} 2000 ou Windows^{MD} XP. En outre, le mode de numérisation doit être réglé sur Normal, le mode couleur sur Auto et le taux de compression sur 3.)

Prend peu de place sur votre bureau !

Peu encombrant (plus petit qu'une feuille de papier au format A4/Lettre), vous pouvez installer le ScanSnap sur votre bureau.

Vos cartes de visite sont soigneusement classées !

Vous pouvez facilement classer et rechercher vos cartes de visite en utilisant la fonction ROC (Reconnaissance Optique de Caractères) disponible dans le logiciel "CardMinder^{MC} pour ScanSnap" fourni avec le scanneur.

(*Le scanneur ScanSnap fi-5110EOX2 N'EST PAS compatible avec les normes TWAIN ou ISIS.)

Fabricant

PFU LIMITED
International Sales Dept., Imaging Business Division,
Products Group
Solid Square East Tower, 580 Horikawa-chô,
Saiwai-ku, Kawasaki-shi Kanagawa 212-8563, JAPON
Téléphone : +81 (44) 540-4538

Marques de commerce

Microsoft et Windows sont des marques déposées de Microsoft Corporation aux Etats-Unis et/ou dans d'autres pays.
Adobe, le logo Adobe et Acrobat sont des marques déposées

d'Adobe Systems Incorporated aux Etats-Unis et/ou dans d'autres pays.

ScanSnap, le logo ScanSnap et CardMinder sont des marques de PFU LIMITED.

Les autres noms de produits cités dans ce manuel sont des marques de commerce ou des marques déposées de leurs sociétés respectives.

Indication des marques et des produits cités dans ce manuel

ScanSnap : ScanSnap fi-5110EOX2

CardMinder : CardMinder^{MC} 2.0

Les références aux systèmes d'exploitation sont effectuées de la manière suivante:

Windows 98 : fait référence au système d'exploitation Microsoft^{MD} Windows^{MD} 98

Windows Me : fait référence au système d'exploitation Microsoft^{MD} Windows^{MD} Édition Millennium

Windows 2000 : fait référence au système d'exploitation Microsoft^{MD} Windows^{MD} 2000 Édition Professionnelle

Windows XP : fait référence aux systèmes d'exploitation Microsoft^{MD} Windows^{MD} XP Édition Professionnelle et Microsoft^{MD} Windows^{MD} XP Édition Familiale

Si aucune distinction n'est établie entre ces différentes versions, le terme général "Windows" est alors employé.

Adobe Acrobat 7.0 : Adobe^{MD} Acrobat^{MD} 7.0 version Standard

Si aucune distinction n'est établie entre les différentes versions du programme, le terme général "Adobe Acrobat" est alors employé.

■ ScanSnap et les manuels

Le ScanSnap fi-5110EOX2 comprend :

- 1) Le scanneur d'image couleur
- 2) Un Transparent dans lequel vous pourrez insérer des documents de grand format (tels que A3/B4/11x17 po) ou encore des documents de forme irrégulière (tels que des coupures de journaux ou notes) pour pouvoir les numériser.
- 3) ScanSnap Manager : c'est grâce à ce pilote que vous pourrez numériser vos documents et enregistrer les images numérisées.
- 4) CardMinder : logiciel doté d'un moteur ROC pour capturer et gérer les données des cartes de visite à l'aide de logiciels de Gestionnaire d'Informations Personnelles tels que Microsoft Outlook
- 5) Adobe Acrobat : logiciel standard de facto pour la création et le traitement des documents électroniques au format PDF

Par ailleurs, les manuels suivants ont été rédigés à votre intention :

ScanSnap fi-5110 EOX2 - Instructions préliminaires

(le présent manuel) Vous y trouverez des informations relatives à l'installation et à l'utilisation de base de la solution ScanSnap.

ScanSnap fi-5110EOX2 - Guide de l'utilisateur

Disponible également sur le Setup CD-ROM au format PDF,

ce guide vous fournit des informations détaillées sur l'installation du logiciel et du matériel ScanSnap, l'utilisation du matériel du scanner et sur ScanSnap Manager.

CardMinder – Instructions préliminaires

Disponible également sur le Setup CD-ROM au format PDF, ce guide vous fournit des informations détaillées sur les principales fonctions de CardMinder.

ScanSnap Organizer - Guide de l'utilisateur

Disponible également sur le Setup CD-ROM au format PDF, vous saurez tout sur l'utilisation de ScanSnap Organizer. Pour en savoir plus sur l'utilisation d'Adobe Acrobat, veuillez consulter la rubrique Aide pour Adobe Acrobat.

■ Informations sur la réglementation

Déclaration de conformité à la norme FCC

Après contrôle, cet équipement a été déclaré conforme aux normes imposées aux appareils numériques de classe B, conformément à l'alinéa 15 de la réglementation du FCC. Ces normes sont destinées à assurer une protection légitime des installations résidentielles contre tout brouillage préjudiciable. Cet équipement génère et utilise de l'énergie haute fréquence, ainsi, s'il n'est pas installé et utilisé conformément à son manuel d'instructions, il peut nuire aux radiocommunications. Cependant, l'absence d'interférences dans une installation particulière n'est pas garantie. Si vous constatez des interférences lors de la réception d'émissions de radio ou de télévision (il suffit, pour le constater, d'éteindre puis de rallumer l'appareil), vous pouvez effectuer les opérations suivantes pour tenter de les éliminer :

- réorienter ou déplacer l'antenne réceptrice,
- accroître la distance séparant l'équipement du récepteur,
- brancher l'équipement sur un circuit différent de celui du récepteur,
- consulter votre distributeur ou un technicien de radio/télévision qualifié.



Toute modification n'ayant pas été expressément approuvée par la partie responsable des règles de conformité, peut priver l'utilisateur de son droit d'exploiter cet appareil.



Vous devez utiliser le câble d'interface USB et le câble c.a. fournis avec ce produit afin de rester en conformité avec les normes de la Classe B section 15 des règles de la FCC.

Réglementations du Canadian DOC

This digital apparatus does not exceed the Class B limit for radio noise emission from digital apparatus set out in the Radio interference Regulations of the Canadian Department of Communications.

This Class B digital apparatus complies with Canadian ICES-003.

Le présent appareil numérique n'émet pas de parasites radioélectriques dépassant les limites applicables aux appareils numériques de la classe B prescrites dans le

Règlement sur le brouillage radioélectrique dicté par le ministère des Communications du Canada.

Cet appareil numérique de la classe B est conforme à la norme canadienne NMB-003.

Bescheinigung des Herstellers / Importeurs

Für den fi-5110EOX2 wird folgendes bescheinigt:

- In Übereinstimmung mit den Bestimmungen der EN45014(CE) funkentstört
- Maschinenlärminformationsverordnung 3. GPSGV, 06.01.2004: Der höchste Schalldruckpegel beträgt 70 dB (A) oder weniger, gemäß EN ISO 7779.

Programme international Energy Star^{MD}

En tant que partenaire d'ENERGY STAR^{MD}, PFU Limited déclare ce produit conforme aux normes de rendement énergétique énoncées par ENERGY STAR^{MD}.



Le Programme International du Matériel de Bureau ENERGY STAR^{MD} est un programme promouvant une économie d'énergie par l'introduction d'ordinateurs et autres matériels de bureau à meilleur rendement énergétique. Ce programme supporte le développement et la diffusion de produits pourvus de fonctions permettant la réduction réelle de la consommation d'énergie. C'est un système ouvert à tous les propriétaires d'entreprises désireux d'y participer. Les produits visés sont les matériels de bureau (ordinateurs, moniteurs, imprimantes, télécopieurs, photocopieurs, scanners et appareils à fonctions multiples). Leurs normes et logos  sont uniformes au sein des pays participants.

Utilisation dans des environnements à risque élevé

Ce produit a été conçu et fabriqué en vue d'un usage bureautique, personnel, domestique, industriel ou général. Il n'a pas été conçu ni fabriqué pour être utilisé dans des environnements présentant des risques extrêmement élevés, mettant sérieusement et directement la vie ou la santé de toute personne en danger, et où des mesures de sécurité extrêmement rigoureuses s'imposent, comme dans les environnements de contrôle des réactions nucléaires, dans les centrales nucléaires, de commande automatique de vol, de contrôle du trafic aérien, de contrôle des systèmes de transport public, d'équipements médicaux de maintien de la vie et de contrôle de tir de missiles dans des systèmes d'armes, mais ne sont pas appliquées. N'utilisez jamais ce produit sans vous assurez que toutes les mesures nécessaires ont été prises afin d'assurer la sécurité dans de tels environnements. PFU LIMITED n'est aucunement responsable des dommages résultant de l'utilisation de ce produit dans un environnement à risque élevé, et ne répondra à aucune réclamation ou demande d'indemnisation de l'utilisateur ou d'un tiers.

À propos de l'utilisation du mercure



Les lampes contenues dans cet appareil contiennent du mercure. Ainsi, lors de la mise au rebut du scanner, respectez les ordonnances ou réglementations locales pour des questions de sécurité et de recyclage.

Pour éviter toute blessure involontaire, lisez soigneusement ce qui suit. Effectuer l'une des actions suivantes peut entraîner des blessures graves :

Ne mettez pas la substance de la lampe dans votre bouche car elle contient du mercure.

N'incinerez pas, n'écrasez pas, ne broyez pas le scanner.

N'inhaliez pas le liquide chimique contenu dans les pièces de scanner.

■ Remarques importantes

Messages d'alerte utilisés dans ce manuel



Cette indication signale à l'utilisateur que si l'opération à effectuer n'est pas scrupuleusement respectée, elle peut provoquer des blessures graves ou entraîner la mort.



Cette indication signale à l'utilisateur une opération qui peut mettre en danger la sécurité des personnes ou abîmer le matériel si elle n'est pas scrupuleusement respectée.

Symboles utilisés dans ce manuel

Ce manuel utilise les symboles suivants dans les explications en plus des messages d'alerte.



Ce symbole indique à l'utilisateur une information particulièrement importante. Lisez soigneusement cette information.



Ce symbole indique à l'utilisateur un conseil utile concernant l'utilisation du produit.



Un TRIANGLE indique qu'une attention et un soin particuliers sont nécessaires.

Le dessin à l'intérieur du triangle indique la nature particulière de l'avertissement.



Un CERCLE barré d'une ligne en diagonale indique une action que les utilisateurs ne doivent pas effectuer.

Le dessin à l'intérieur du cercle indique l'action particulière qui ne doit pas être effectuée.



Un contour de lettre sur un fond de couleur indique des instructions que les utilisateurs doivent suivre. Ces éléments peuvent s'accompagner d'un dessin représentant l'action à effectuer.

À propos de la vignette d'Alerte

Vous trouverez à l'intérieur du scanner, cette vignette d'alerte :



Cette partie du scanner se réchauffant au fur et à mesure de vos travaux de numérisation, attention à ne pas vous brûler.



Vous ne devez pas retirer cette vignette, ni la salir ou l'altérer.

Les captures d'écran de ce manuel

Dans l'intérêt des utilisateurs et en vue d'une amélioration du produit, les captures d'écran de ce manuel sont sujettes à des modifications sans préavis.

Si les informations affichées sur votre écran diffèrent de celles données dans ce manuel, suivez les instructions affichées sur votre écran tout en vous reportant au Guide de l'utilisateur.

De plus, les captures d'écran de ce manuel concernent ScanSnap Manager, le programme CardMinder, PDF Thumbnail View, ScanSnap Organizer et Adobe Acrobat.

À propos de l'entretien

Vous ne devez pas effectuer de réparations sur ce scanner. Contactez votre distributeur ou un fournisseur de services agréé par FUJITSU pour effectuer des réparations sur ce produit.

■ Consignes de sécurité

SUIVEZ CES INSTRUCTIONS ET RESPECTEZ TOUS LES AVERTISSEMENTS ET MISES EN GARDE DÉCRITS.



Si vos mains sont humides, ne touchez pas la prise électrique. Vous risqueriez de vous électrocuter.



Un câble c.a. abîmé peut provoquer un incendie ou une électrocution.

Ne placez pas d'objets lourds sur le câble c.a., ne tirez pas, ni ne pliez, tordez, chauffez, abîmez ou modifiez le câble c.a.

N'utilisez pas non plus de câbles c.a. ou de prises électriques abîmés et prenez garde aux prises de courant mal vissées.



N'utilisez pas de câbles autres que ceux fournis avec le produit. Utilisez uniquement les câbles c.a., l'adaptateur c.a. et les câbles de connexion spécifiés. Vous risqueriez de vous électrocuter et d'endommager le matériel si vous n'utilisez pas les câbles adéquats.

Par ailleurs, pour des raisons identiques, n'utilisez pas ces accessoires avec un autre appareil.



Utilisez uniquement ce scanner à la tension et à l'intensité indiquées. Une tension ou une intensité incorrecte peut provoquer un incendie ou une électrocution.

Ne branchez pas non plus le scanner sur une prise multiple.



Avec un chiffon doux et sec, époussetez les parties métalliques de la prise électrique ou du réceptacle. Une accumulation de poussière peut provoquer un incendie ou une électrocution.



N'installez pas le scanner dans un endroit exposé à la fumée (d'essence), à la vapeur, à l'humidité ou à la poussière. De tels environnements peuvent être à l'origine d'incendie ou d'électrocution.



Si l'appareil dégage de la chaleur ou si vous décelez d'autres problèmes (fumée, odeur et bruit étranges), éteignez immédiatement le scanner puis débranchez la prise de courant.

Assurez-vous qu'il n'y a plus de fumée puis contactez le magasin où vous avez acheté le scanner ou un fournisseur de services agréé par FUJITSU.



Si le scanner est abîmé pour une raison quelconque, éteignez le scanner et débranchez le câble d'alimentation avant de contacter votre distributeur.



N'insérez pas et ne laissez pas tomber d'objets métalliques dans le scanner.

Ne numériser pas des documents humides et n'oubliez pas d'ôter les éventuels trombones et agrafes reliant les documents.

N'arrosez pas et ne mouillez pas le scanner.



Si des corps étrangers (objets métalliques, liquides etc.) pénètrent dans le scanner, éteignez-le immédiatement et débranchez la prise électrique de la prise de courant murale. Contactez ensuite votre distributeur ou le centre de services entretien. Faites particulièrement attention à cet avertissement pour les foyers avec jeunes enfants.



Ne démontez pas et ne transformez pas le scanner. L'intérieur du scanner contient des composants sous haute tension. Vous risqueriez de vous électrocuter ou de provoquer un incendie si vous touchez ces éléments.



Vous trouverez ci-dessous d'importantes mises en garde.



Installez le scanner sur votre bureau de façon à ce qu'aucune de ses parties ne dépasse le bord de la table. Assurez-vous également que le scanner est installé sur une surface plate et régulière.



N'installez pas le scanner sur une surface instable. Pour éviter toute chute, installez le scanner sur une surface plate non soumise à des vibrations.

Installez le scanner sur une surface résistante qui peut supporter son poids ainsi que celui d'autres appareils.



Insérez fermement, aussi profondément que possible, la fiche électrique dans la prise de courant.



Installez le scanner à l'écart de champs magnétiques importants et d'autres sources de parasites électroniques. Protégez également le scanner de l'électricité statique qui peut occasionner un mauvais fonctionnement du scanner.



N'utilisez pas de bombe aérosol pour nettoyer le scanner. Les bombes aérosol peuvent faire entrer de la poussière et des saletés dans le scanner, entraînant une panne ou un mauvais fonctionnement de celui-ci.



Pour des raisons de sécurité, lorsque le scanner n'est pas utilisé pendant une période prolongée, assurez-vous de débrancher la fiche électrique de la prise murale.



N'installez pas le scanner directement sous la lumière du soleil ou près d'un appareil de chauffage. Cela risque de provoquer un réchauffement excessif des éléments internes du scanner, d'où risque d'incendie ou problème de fonctionnement. Installez le scanner dans un endroit bien aéré.



N'obstruez pas les trous prévus pour la ventilation. En bloquant ces orifices, la température interne du scanner augmente, risquant de provoquer un incendie ou une panne du matériel.



Ne placez pas d'objets lourds sur le scanner et n'utilisez pas le dessus du scanner pour effectuer d'autres travaux. Une mauvaise installation peut être à l'origine de blessures.



Ne déplacez pas le scanner lorsque les câbles d'alimentation et d'interface sont connectés. Vous risquez de les abîmer et de provoquer un incendie, une électrocution ou des blessures involontaires.

Avant de déplacer le scanner, assurez-vous de débrancher la fiche électrique de la prise murale et de débrancher les câbles de données. Assurez-vous également que le sol est dépourvu d'obstacles.



Évitez de toucher le mécanisme du scanner lorsqu'il est en cours de numérisation car vous pourriez vous blesser.



N'utilisez pas le matériel immédiatement après l'avoir déplacé d'un endroit frais à un endroit chaud. Afin d'éviter toute condensation qui pourrait donner lieu à des problèmes de numérisation, laissez le scanner sécher pendant deux ou trois heures.

1. Préparation

Ce chapitre vous indique les étapes préliminaires à respecter avant de commencer à utiliser le ScanSnap.

IMPORTANT



Ne reliez pas le scanner à votre ordinateur avant d'avoir installé ScanSnap Manager. Le scanner ne fonctionnera pas correctement si vous le branchez avant l'installation du pilote ScanSnap. Consultez le Chapitre 2 pour l'installation du pilote.

1.1 Vérifier le contenu de l'emballage

Quand vous déballez le scanner, vérifiez que tous les éléments suivants sont inclus dans la boîte. Consultez la liste des éléments incluse dans la boîte du scanner.

1.2 Noms et fonctions des composants

Cette section indique les nom et fonction des composants.

■ Vue de face

Plateau d'alimentation

En le soulevant, le scanner est mis sous tension

Capot de l'AAD

(Alimentateur Automatique de Document)

Plateau de réception

2 trous situés sous le scanner sont destinés à s'encaster dans les 2 saillies du plateau

Bouton d'ouverture du couvercle

Tirez ce levier pour soulever le couvercle de l'AAD

Plateau d'alimentation

Soulevez ce couvercle puis chargez les documents que vous souhaitez numériser dans cet élément

Guides latéraux

Régalez ces guides à la largeur des documents pour éviter tout désalignement des images

Plateau de réception

Pour pouvoir utiliser cet élément, tirez-le comme indiqué dans le schéma ci-dessus.

→ Les documents sont éjectés depuis l'AAD dans ce bac

Boutons

* Vous pouvez éventuellement utiliser le scanner sans le bac de réception.

■ Boutons



Bouton [SCAN]

Lance la numérisation

Bouton [POWER]

Mise sous tension/arrêt du scanner

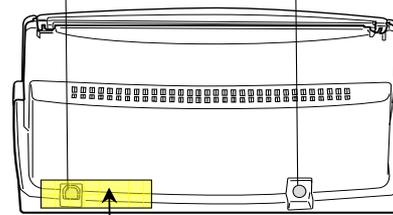
Lampe de l'indicateur de marche indiquant l'état du scanner :

Vert : Prêt
Vert (clignotant) : Numérisation en cours
Orange : Erreur
Aucune lumière : Arrêt

■ Vue arrière

Connecteur USB

Connecteur Adaptateur CA



Vignette : après avoir installé ScanSnap Manager dans votre système, enlevez cette vignette afin de pouvoir relier le scanner à votre ordinateur.

CONSEIL



Pour en savoir plus sur les documents pouvant être numérisés, veuillez vous reporter au Guide de l'Utilisateur ScanSnap **fi-5110EOX2** disponible dans le Setup CD-ROM.

IMPORTANT



Ce scanner s'allume/s'éteint automatiquement uniquement en soulevant/rabaisant le couvercle du bac d'alimentation. Pour éteindre le scanner lorsque le couvercle n'est pas rabattu, appuyez sur le bouton [POWER].

2. Branchement de ScanSnap

Ce chapitre vous explique comment relier le ScanSnap à votre ordinateur.

2.1 Installation des logiciels fournis

Avant de relier le scanner à votre ordinateur, installez d'abord les programmes suivants :

- | | |
|----------------------|---------------|
| ① Adobe Acrobat 7.0 | (Application) |
| ② ScanSnap Manager | (Pilote) |
| ③ ScanSnap Organizer | (Application) |
| ④ CardMinder | (Application) |
| ⑤ PDF Thumbnail View | (Application) |



- **Assurez-vous d'avoir bien installé le pilote ScanSnap avant de procéder à la connexion du scanner à votre ordinateur.** Si vous ne respectez pas l'ordre des opérations à effectuer, la boîte de dialogue "Assistant Matériel détecté" (le titre du dialogue varie légèrement selon le système d'exploitation utilisé par votre ordinateur) s'ouvrira. Dans ce cas, cliquez sur le bouton [Annuler] pour fermer la boîte de dialogue de l'Assistant.
- Vous ne pouvez pas relier simultanément les scanners ScanSnap fi-5110EOX2 et fi-4110EOX (ou deux fi-5110EOX2 ou plus) à un seul ordinateur.
- Si un pilote des séries ScanSnap fi-4110EOX ou ScanSnap fi-5110EOX est déjà installé dans votre ordinateur, veuillez le désinstaller.
- Si vous utilisez Windows 2000 ou Windows XP, ouvrez une session en tant qu'utilisateur avec des privilèges d'administrateur.
- Plateforme nécessaire pour l'exploitation de ScanSnap fi-5110EOX2 :
Unité Centrale : équipée d'Intel® Pentium® III 600MHz au minimum (* Intel® Pentium® 4 1.8GHz au minimum est vivement recommandé)
Mémoire : 128 Mo au minimum (* une capacité de mémoire supérieure à 256 Mo est vivement recommandée)
* Si votre ordinateur ne répond pas à ces deux recommandations et s'il est équipé d'un bus USB version 1.1, la numérisation de vos documents prendra plus de temps.



ScanSnap Manager est un pilote accessible pour ScanSnap fi-4110EOX2 et ScanSnap fi-5110EOX. Ainsi, vous pouvez exploiter ce pilote avec ScanSnap fi-5110EOX2 (ce produit) ou ScanSnap fi-4110EOX2 ou encore ScanSnap fi-5110EOX.

2.1.1 Installation d'Adobe Acrobat 7.0

Préparez le CD-ROM Adobe Acrobat 7.0.



Adobe Acrobat 7.0 est inefficace sous Windows 98 et Windows Me.

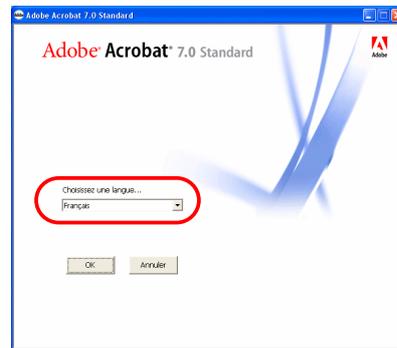
1. Insérez le CD-ROM "Adobe Acrobat 7.0" dans le lecteur de CD-ROM.

⇒ La boîte de dialogue "Adobe Acrobat 7.0 Standard" s'ouvre.



Cette boîte ne s'affiche pas automatiquement si la fonction d'exécution automatique des CD-ROM est désactivée. Dans ce cas, lancez directement "AutoPlay.exe" dans le CD-ROM avec l'Explorateur ou à partir du Poste de travail.

2. Choisissez une langue et cliquez sur le bouton [OK].



3. Sélectionnez "Installer Adobe Acrobat 7.0 Standard".



4. Suivez les instructions indiquées dans la boîte.



Sélectionnez "Procéder d'installation" dans la fenêtre [Adobe Acrobat 7.0 Standard] pour en savoir plus sur l'installation. Consultez l'"Aide pour Adobe Acrobat" si vous souhaitez obtenir plus d'informations quant à l'utilisation d'Adobe Acrobat 7.0.

2.1.2 Installer ScanSnap Manager, ScanSnap Organizer, CardMinder et PDF Thumbnail View

Préparez le ScanSnap Setup CD-ROM.

1. Insérez le CD-ROM "ScanSnap Setup" dans le lecteur de CD-ROM.

⇒ La boîte de dialogue relative à l'installation s'ouvre.



Cette boîte ne s'ouvre pas automatiquement si la fonction d'exécution automatique des CD-ROM est désactivée. Dans ce cas, lancez directement "Setup.exe" dans le CD-ROM avec l'Explorateur Windows ou à partir du Poste de travail.

2. Cliquez sur le bouton [Installer les produits].

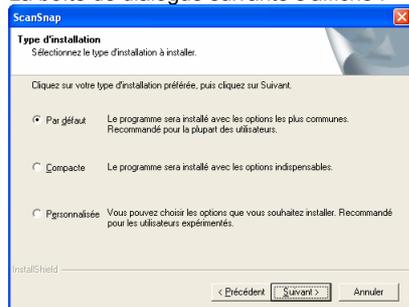


⇒ L'installation de ScanSnap Manager, de CardMinder et de PDF Thumbnail View est lancée.

3. La boîte de dialogue de l'Assistant relative à l'installation s'ouvre : suivez les instructions qui y sont indiquées.



La boîte de dialogue suivante s'affiche :



[Par défaut] <Recommandé>
ScanSnap Manager, ScanSnap Organizer, CardMinder et PDF Thumbnail View ainsi que leur manuel d'instruction seront installés.

[Compact]
ScanSnap Manager est installé avec son manuel.

[Personnalisée]
Vous pouvez choisir le logiciel que vous souhaitez installer avec son manuel.

(Au moment de réinstaller les programmes les deux boîtes ne s'ouvriront pas.)



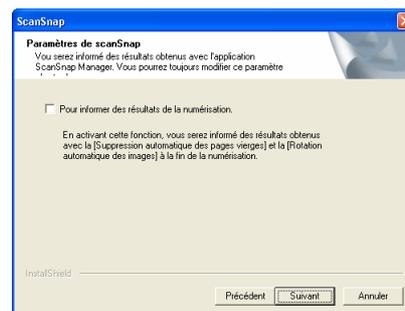
[Poser le côté à numériser contre le plateau puis lancer la numérisation (Recommandé)]

Insérez d'abord le haut du document dans le scanneur, le côté imprimé contre le plateau, comme si vous envoyez une télécopie.

[Orienter le côté à numériser vers l'extérieur, la partie supérieure vers le haut et lancer la numérisation]

Pour un chargement selon la disposition de documents dans le scanneur.

(Remarque : vous pouvez modifier cette option après l'installation.)



Cette boîte de dialogue vous permet de décider de recevoir une "Notification des résultats de numérisation" à la fin de la numérisation. Si la case d'option est cochée, la notification vous informant de l'utilisation ou non des fonctions suivantes s'affiche :

Activer la suppression de pages blanches
Activer la correction de désalignement

4. Lorsque l'installation est terminée, redémarrez votre ordinateur.

IMPORTANT



Pour en savoir plus sur ScanSnap Manager ou sur l'installation de CardMinder, veuillez consulter le **Guide de l'utilisateur**.

2.2 Branchement du scanner

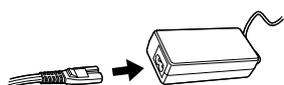
Après avoir redémarré votre ordinateur, procédez à la connexion du scanner.

2.2.1 Brancher le câble d'alimentation c.a.

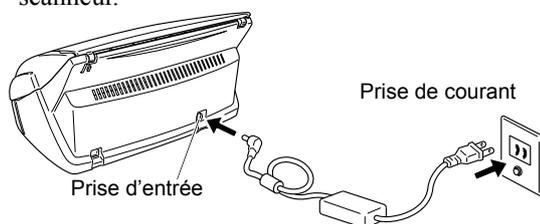


IMPORTANT N'utilisez pas de câbles autres que ceux fournis avec le produit. Utilisez uniquement les câbles c.a. et les câbles de connexion spécifiés.

1. Branchez le câble c.a. dans l'adaptateur c.a.



2. Reliez les connecteurs de l'adaptateur c.a. : l'un dans la prise de courant, l'autre dans la prise d'entrée du scanner.



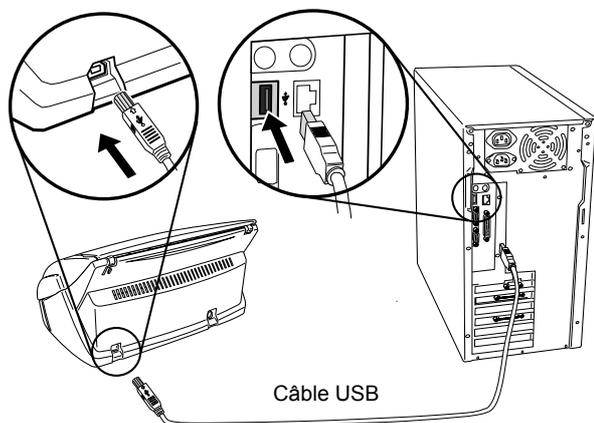
2.2.2 Branchement du câble USB

Branchez le câble USB comme indiqué ci-dessous.



- Utilisez le câble USB fourni avec le scanner. L'utilisation d'un câble USB distribué dans le commerce ne garantit pas le bon fonctionnement de l'appareil. Assurez-vous de brancher le câble dans le concentrateur USB le plus proche de votre ordinateur (premier niveau).
- Si vous le branchez dans un concentrateur USB de second niveau ou à une distance plus éloignée, le ScanSnap peut ne pas fonctionner.

1. Enlevez la vignette recouvrant le connecteur USB.
2. Reliez le câble USB à votre ordinateur et au scanner.



3. Soulevez le couvercle du plateau d'alimentation du scanner.



IMPORTANT Si le scanner ne s'allume pas automatiquement, appuyez sur le bouton [POWER] du scanner.

⇒ Votre ordinateur détecte automatiquement le scanner

Sous Windows 98

On vous demande d'insérer un disque. Le cas échéant, insérez le CD-ROM Windows 98 dans le lecteur de CD-ROM et cliquez sur le bouton [OK].

Sous Windows Me

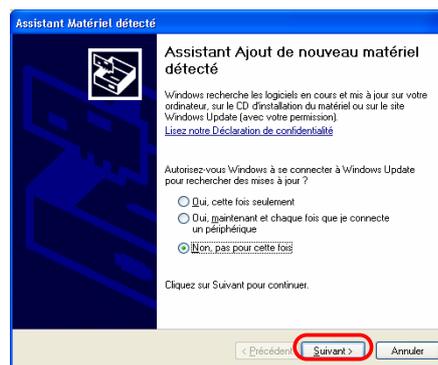
Le nouveau matériel est détecté automatiquement et l'installation se terminera automatiquement.

Sous Windows 2000

Lorsque la boîte de dialogue [Signature numérique non trouvée] s'ouvre, cliquez sur le bouton [Oui].

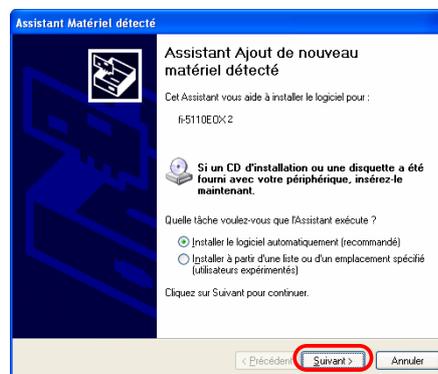
Sous Windows XP

- 1) Lorsque la boîte de dialogue [Assistant Matériel détecté] s'ouvre, cochez la case « Non, pas pour cette fois » puis cliquez sur le bouton [Suivant>].

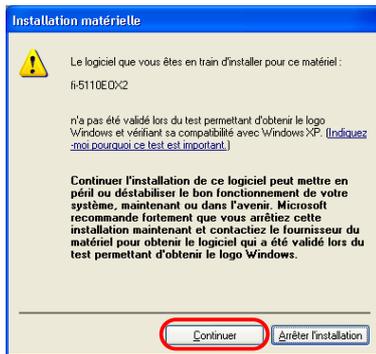


(Cette boîte de dialogue ne s'ouvrira si votre système est doté de la version Service Pack 2.)

- 2) Cliquez sur le bouton [Suivant>] dans la boîte de dialogue suivante.



3) Lorsque la boîte de dialogue [Installation du matériel] s'ouvre, cliquez sur le bouton [Continuer].



La boîte de dialogue "Assistant Matériel détecté" vous informant que l'Assistant va se terminer, s'ouvre.

4) Cliquez sur le bouton [Terminer] quand l'installation est terminée.

Vous venez d'installer ScanSnap.

IMPORTANT



L'icône du "ScanSnap Manager" apparaît dans la barre des tâches sous la forme . Si elle apparaît sous la forme , appuyez sur [POWER] pour éteindre le scanner puis appuyez à nouveau sur [POWER] pour le mettre sous tension. Lorsque vous allumez ou éteignez le scanner, veuillez compter cinq secondes environ pour obtenir une réponse.

CONSEIL



Au moment d'allumer/éteindre le scanner, gardez le doigt appuyé sur [POWER] pendant une seconde au moins.

*Pour éviter toute mauvaise manipulation, le bouton [POWER] ne répondra pas si vous ne gardez pas le doigt appuyé au delà d'une seconde.

3. Utilisation de ScanSnap

Ce chapitre décrit les fonctions de base du ScanSnap.

3.1 Numérisation des documents

Grâce à "ScanSnap", vous pouvez transformer vos documents au support papier en documents numériques et les sauvegarder, uniquement en appuyant sur un bouton. L'image numérisée pourra être affichée à l'écran grâce à l'installation des applications fournies (Adobe Acrobat, CardMinder entre autres).

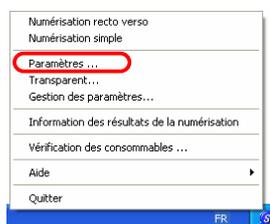
Voici les deux utilisations typiques :

- ① Création et sauvegardes numériques de documents de bureau communs sous le format PDF.
Grâce à Adobe Acrobat, vous pourrez les afficher puis les éditer au moment choisi. Adobe Acrobat est idéal pour le traitement des informations des images numérisées : par exemple, la fonction OCR (Reconnaître du texte par OCR) vous permettra d'accéder facilement aux données recherchées ou encore, la création d'un mot de passe vous permettra de sécuriser vos documents etc. (Remarque : pour en savoir plus, veuillez consulter la rubrique [Aide pour Adobe Acrobat].)
- ② Numérisation et gestion des cartes de visite.
"CardMinder" est idéal pour la numérisation, la reconnaissance et l'édition des cartes de visite. Ensuite, vous pourrez en exporter les données vers un Gestionnaire d'Informations Personnelles tel que Microsoft Outlook.

3.2 À propos des paramètres de numérisation

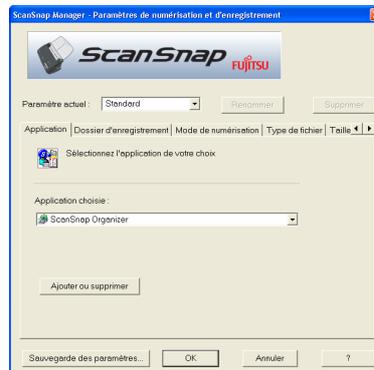
Vous pouvez changer la configuration du ScanSnap en utilisant le "ScanSnap Manager".

1. Cliquez avec le bouton droit de la souris sur l'icône "ScanSnap Manager"  qui se trouve dans la barre des tâches et choisissez [Paramètres...] dans le menu qui s'ouvre.



⇒ La boîte de dialogue "Paramètres de numérisation et d'enregistrement" s'ouvre.

2. Changez les paramètres de numérisation dans la fenêtre "Paramètres de numérisation et d'enregistrement".



Six onglets vous permettent de configurer les options de numérisation :

[Application]

Sélection de l'application qui vous permettra d'afficher/éditer les images numérisées.

[Dossier d'enregistrement]

Pour spécifier le dossier et le nom de fichier sous lesquels enregistrer les images numérisées.

[Mode de numérisation]

Pour spécifier la qualité des images numérisées.

[Type de fichier]

Sélection du type de fichier (PDF, JPEG) des images enregistrées.

[Taille du papier]

Sélection du format des documents qui seront numérisés.

[Taille du fichier]

Sélection du taux de compression du fichier.



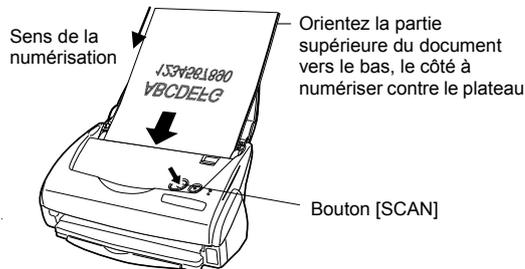
CONSEIL Pour en savoir plus sur ces paramètres, consultez le "Guide de l'utilisateur ScanSnap" disponible sur le "CD-ROM ScanSnap Setup".

3. Cliquez sur le bouton [OK] pour terminer la configuration

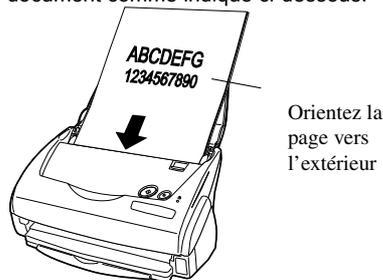
⇒ La nouvelle configuration est effective.

3.3 Numérisation des documents de bureau

1. Choisissez "Adobe Acrobat" dans l'onglet [Application] de "Paramètres de numérisation et d'enregistrement".
2. Chargez les documents dans le scanner.



À l'étape 3 de la section 2.1.2 Installation de ScanSnap Manager, ScanSnap Organizer, CardMinder et PDF Thumbnail View], vous pouvez choisir **[Page positionnée à l'endroit et orientée vers l'extérieur à numériser en priorité]**, ensuite placez le document comme indiqué ci-dessous.



3. Appuyez sur le bouton [SCAN] :

⇒ La numérisation commence.

⇒ Quand la numérisation est terminée, Adobe Acrobat est lancé et les images numérisées sont affichées.



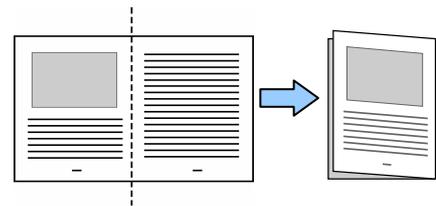
- Vous pouvez également utiliser une autre application afin d'afficher les images numérisées après leur numérisation.
- En appuyant sur le bouton [SCAN], les documents sont numérisés des deux côtés. Si vous ne souhaitez numériser qu'un seul côté vos documents, vous pouvez modifier les réglages depuis ScanSnap Manager .
- Le ScanSnap peut numériser les documents en utilisant divers paramètres. Pour en savoir plus sur la numérisation, consultez le "Guide de l'utilisateur ScanSnap" du "CD-ROM ScanSnap Setup".

3.4 Utilisation du Transparent

Grâce au transparent, vous pouvez numériser des documents au grand format (A3/B4/11x17 po) ou des documents de forme irrégulière (coupures de journaux, notes).

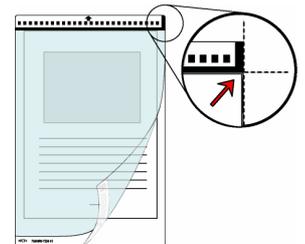
Dans l'exemple ci-dessous, vous trouverez des explications quant à la numérisation de document A3.

1. Pliez le document en son centre tout en veillant à orienter le côté que vous souhaitez numériser vers l'extérieur.
Par ailleurs, veillez à ce qu'il n'y ait aucun gonflement lorsque vous procédez au pliage.



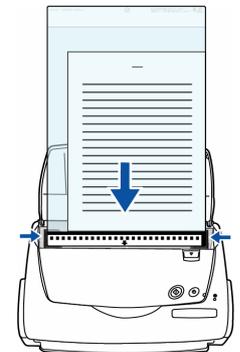
2. Ouvrez le transparent A3 puis insérez le document plié.

Calez le haut du document dans la partie supérieure du transparent puis alignez le côté plié contre la partie droite du transparent.



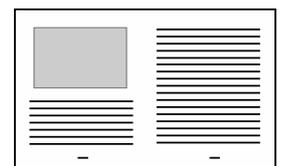
3. Chargez le transparent dans le scanner.

Orientez la partie supérieure pointillée du transparent vers le bas comme indiqué dans le schéma ci-contre.
Si vous utilisez le transparent, il vous est impossible de numériser plusieurs documents à la suite. Veuillez effectuer vos travaux de numérisation l'un après l'autre.



4. Appuyez sur le bouton [SCAN].

⇒ La page au format A3 ayant été transformée en un document recto verso, les données de l'image numérisée sont présentées en double page.



La méthode de chargement ainsi que les paramètres de ScanSnap Manager diffèrent selon le document que vous numérisiez. Pour en savoir plus, veuillez consulter le "Guide d'utilisation pour ScanSnap" disponible dans le "ScanSnap Setup CD-ROM".

3.5 Numérisation de cartes de visite

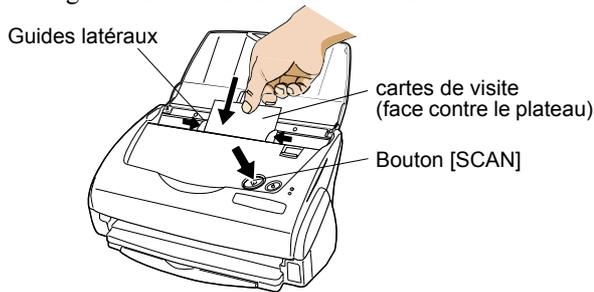
1. Dans "Paramètres de numérisation et d'enregistrement", choisissez "CardMinder" dans l'onglet [Application].



CONSEIL

- Si vous choisissez "CardMinder", seuls [Application] et [Mode de numérisation] seront disponibles.
- Pour en savoir plus sur les paramètres, consultez le "Guide de l'utilisateur ScanSnap" dans le CD-ROM "ScanSnap Setup".

2. Chargez les cartes de visite dans le scanner. Réglez les guides latéraux à la taille des cartes.

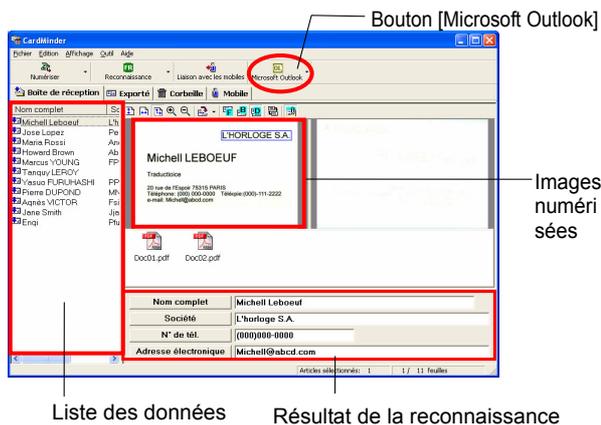


3. Appuyez sur le bouton [SCAN] :

⇒ La numérisation commence.

⇒ La fenêtre "CardMinder" s'ouvre et les caractères reconnus, nom d'un particulier, raison sociale et adresse électronique apparaissent dans la fenêtre.

4. La fenêtre suivante apparaît : Choisissez une carte de visite dans la liste des données. Vérifiez les données dans les champs de résultat de reconnaissance dans cette fenêtre. Corrigez les données si vous décelez une erreur.



5. Prenant Outlook comme exemple, choisissez les cartes de visite que vous voulez y exporter, après avoir confirmé les données de ces cartes, puis cliquez sur le bouton [Microsoft Outlook] dans la barre d'outils. Les données sont alors exportées vers Outlook.



CONSEIL

Vous pouvez envoyer les données (résultats de la reconnaissance) vers les applications suivantes :

- Microsoft® Outlook®
- Outlook Express
- ACT!™
- GoldMine®

Vous pouvez également enregistrer les données au format CSV afin de les importer vers une autre application telle qu'Excel. Consultez le "Guide de l'utilisateur CardMinder" pour plus de détails.

6. Lancez Outlook pour confirmer l'importation des données des cartes de visite.
7. Quand vous voulez fermer "CardMinder", choisissez [Quitter] dans le menu [Fichier].



CONSEIL

"CardMinder" possède de nombreuses autres fonctions. Pour en savoir plus, consultez le "Guide de l'utilisateur CardMinder" dans le "ScanSnap Setup CD-ROM" pour plus de détails.

3.6 À propos de PDF Thumbnail View

PDF Thumbnail View est un programme qui vous permet de voir les fichiers PDF sous la forme de vignette à l'aide d'Explorateur Windows.

Le programme est installé pendant l'installation du "Pilote ScanSnap" et est désactivé par défaut.

(*Ce programme peut être installé sous Windows 2000 ou Windows XP.)

Pour activer les vignettes PDF

1. Dans le menu [Démarrer], choisissez [Programmes] - [Pilote PDF] - [Affichage miniature des PDF] - [Outil de configuration].
2. Cochez la case "Activer" et cliquez sur le bouton [OK] de la fenêtre "Paramètres des fonctions de PDF Thumbnail".

⇒ Vous pouvez visualiser les vignettes des fichiers PDF avec l'Explorateur Windows comme si vous visualisiez des images bitmap ou JPEG.



CONSEIL

Pour en savoir plus, consultez le "Guide de l'utilisateur ScanSnap" dans le "CD-ROM ScanSnap Setup".

3.7 À propos de ScanSnap Organizer

ScanSnap Organizer est une application vous permettant de gérer l'affichage des fichiers des images PDF ou JPEG. Même fermés, les fichiers numérisés avec ScanSnap peuvent être visualisés. Vous pouvez également créer ou trier vos dossiers et fichiers entre autres.

De plus, pour ce qui est des fichiers composés de plusieurs pages, vous pouvez également consulter les images en les faisant défiler.

Depuis le menu [Démarrer], pointez sur [Tous les programmes] – [ScanSnap Organizer] – [ScanSnap Organizer] : la fenêtre suivante s'ouvre :

Fenêtre de visualisation

Les dossiers sélectionnés dans ScanSnap Organizer sont indiqués



Fenêtre de visualisation des fichiers

Les fichiers PDF ou JPEG dans le dossier sélectionné sont affichés sous forme de

Vignette Pop-up

La page sélectionnée est affichée sous la forme d'une fenêtre Pop-up.

Vignette

Affichage d'une image miniature d'un fichier.



Numéro de page

Indique le numéro de la page actuellement affichée/le nombre total de pages.

Bouton "Zoom avant/Zoom arrière"

Pour agrandir ou réduire la taille de la vignette Pop-up.

Bouton Page suivante

Pour éventuellement accéder à la page suivante.

Nom du fichier

CONSEIL



Pour en savoir plus, veuillez consulter le "Guide pour ScanSnap Operator" disponible dans le "ScanSnap Setup CD-ROM".

4. Dépannage

Ce chapitre dresse la liste des problèmes courants pouvant apparaître lors de l'utilisation de l'appareil et vous propose une série de solutions pouvant les résoudre.

4.1 Liste de points à vérifier

Avant de faire appel au service après-vente, vérifiez les points suivants.

Si vous n'arrivez pas à résoudre le problème malgré les instructions proposées, contactez votre distributeur ou un technicien pour scanners agréé par FUJITSU.

| Problème rencontré | Vérifiez cet élément | Solution |
|-----------------------------|---|--|
| Le scanner ne s'allume pas. | Le câble ca/USB et l'adaptateur ca sont-ils correctement branchés ? | Corrigez les branchements du câble ca/USB et de l'adaptateur ca. Débranchez puis rebranchez le câble et l'adaptateur ca. (Remarque : patientez cinq secondes entre le débranchement et le branchement.) |
| | Le plateau d'alimentation est-il rabattu ? (La mise sous tension et l'arrêt du scanner dépendent, entre autres, de la position du plateau d'alimentation.) | Installez le Plateau d'alimentation de l'AAD. |
| | Windows a-t-il été correctement lancé ? (L'exploitation du scanner dépend, entre autres, de la mise sous tension et de l'arrêt de votre ordinateur.) | Attendez jusqu'à ce que Windows ait complètement démarré. Le voyant de la DEL  peut s'éteindre lors du démarrage de Windows ou encore, le scanner peut afficher une faible intensité. |
| | Avez-vous appuyé sur le bouton [POWER] pour éteindre le scanner ? (Vous pouvez éteindre le scanner en appuyant sur [POWER] même si le couvercle du plateau d'alimentation est relevé.) | Appuyez sur le bouton [POWER]. |
| | La numérisation ne commence pas. | Est-ce que le câble USB est correctement branché ? |
| | Est-ce que le voyant de la DEL  clignote de manière répétée ? | Débranchez puis rebranchez le câble c.a. et l'adaptateur c.a. (Remarque : patientez cinq secondes entre le débranchement et le branchement.) |
| | Le ScanSnap Manager est-il correctement lancé ? (Si le ScanSnap Manager a bien démarré, l'icône ScanSnap Manager  sera affichée dans la barre des tâches.) | Si l'icône ScanSnap Manager n'est pas affichée, cliquez sur le menu [Démarrer] et choisissez [Programmes] - [Pilote ScanSnap] - [ScanSnap Manager] pour lancer le ScanSnap Manager. |

| Problème rencontré | Vérifiez cet élément | Solution |
|--|--|--|
| | Est-ce que le ScanSnap Manager fonctionne normalement ? (Si le ScanSnap Manager ne fonctionne pas normalement, l'icône ScanSnap Manager dans la barre des tâches est affichée sous la forme ) | Effectuez les manipulations suivantes : 1. Depuis Propriétés, cliquez sur le bouton "Gestionnaire de périphériques" puis sur "Rechercher les modifications sur le matériel" (*1). Si la situation reste inchangée, passez à l'étape 2. 2. Débranchez puis rebranchez le câble c.a.et l'adaptateur c.a. (Patientez cinq secondes entre le débranchement et le branchement.) Si la situation reste inchangée, passez à l'étape 3. 3. Si vous utilisez un concentrateur USB, reliez directement votre ordinateur au ScanSnap. Si la situation reste inchangée, passez à l'étape 4. 4. Si votre ordinateur est pourvu de ports USB supplémentaires, veuillez essayer de brancher le ScanSnap sur l'un d'eux. Si la situation reste inchangée, passez à l'étape 5. 5. Redémarrez votre ordinateur. Si toutes les manipulations précitées s'avèrent inefficaces, désinstallez et réinstallez ScanSnap Manager selon les instructions fournies dans la note (*2). |
| La numérisation ne commence pas. | Est-ce que la boîte de dialogue "Paramètres de numérisation et d'enregistrement" est toujours affichée ? | Fermez la boîte de dialogue "Paramètres de numérisation et d'enregistrement" puis numérisez votre document. |
| Des lignes verticales apparaissent sur l'image générée. | L'AAD est-il sale ? | Veuillez nettoyer l'AAD en consultant le chapitre 5. Entretien . |
| L'image générée est déformée ou désalignée. | Le document a-t-il été correctement chargé ? | Chargez correctement le document. |
| Les lignes de l'image numérisée sont floues. (Exemple : les lignes d'un tableau sont invisibles.) | Avez-vous numérisé sous le mode « Couleur » un document manuscrit ou composé de caractères d'imprimerie, de tableaux ou de cadres pré-imprimés ? | Le mode Couleur est idéal pour la numérisation d'images couleur telles que des photographies. C'est pourquoi, dans le cas d'une numérisation de document composé d'un texte, veuillez cocher la case d'option [Paramètres pour texte seulement] dans [Numérisation] – [Option] dans la boîte de dialogue Paramètres de numérisation et d'enregistrement. |
| L'image générée est trop sombre ou trop claire. | Dans le cas d'une numérisation d'un document en noir et blanc (N&B), est-ce que l'[Option...] - "Luminosité" dans l'onglet [Mode de numérisation] est réglée sur le mode très clair ? Très foncée ? | Réglez la "Luminosité" dans [Mode de numérisation] - [Option...] dans "Paramètres de numérisation et d'enregistrement". |

| Problème rencontré | Vérifiez cet élément | Solution |
|--|--|---|
| La vitesse de numérisation est lente. | Votre ordinateur est-il équipé d'un système d'exploitation compatible avec ScanSnap ? | Vérifiez votre système d'exploitation en vous reportant au chapitre 2 "Avant d'installer ScanSnap" du Guide de l'Utilisateur. La numérisation des documents prendra plus de temps si les recommandations relatives à l'unité centrale et à la mémoire vive ne sont pas respectées. Le cas échéant, depuis la fenêtre "Paramètres de numérisation et d'enregistrement", cliquez sur [Mode de numérisation] puis sur [Option...], puis démarquez les cases des options suivantes afin d'augmenter la vitesse de numérisation : - Détection automatique des images désalignées - Rotation automatique des images |
| | Le ScanSnap est-il relié à votre ordinateur à l'aide d'une interface USB 1.1 ? L'utilisation d'une telle interface peut avoir des conséquences sur la vitesse de transfert des données. Ainsi, le taux de transfert peut être très faible lorsque le scanneur transmet des données de forte densité vers votre ordinateur. | Si votre ordinateur est équipé d'une interface USB 2.0, reliez le scanneur à votre ordinateur avec cette interface. (Si vous utilisez un concentrateur USB, il doit pouvoir supporter l'interface USB 2.0.) (*3) |
| Le chargement multiple se produit fréquemment. (*4) | Est-ce que le séparateur est sale ? | Nettoyez-le en suivant les instructions de la section « 5.3 Nettoyage des éléments internes du scanneur ». |
| | Est-ce que le séparateur est défectueux ? | Remplacez le séparateur en suivant les instructions données dans la section « 6.2 Remplacement du séparateur ». |
| | L'épaisseur de la pile de documents est-elle supérieure à 4 mm ? | Diminuez le nombre de feuilles de la pile de documents afin d'avoir une épaisseur inférieure à 4 mm. |
| Aucun document n'est chargé (chargement interrompu en cours). | Est-ce que le rouleau de sélection est sale ? | Nettoyez-le en suivant les instructions de la section « 5.3 Nettoyage des éléments internes du scanneur ». |
| | Est-ce que le rouleau de sélection est défectueux ? | Remplacez-le en suivant les instructions de la section « 6.3 Remplacement du rouleau de sélection ». |
| | Y a-t-il des débris sur le chemin du chargement des documents ? | Retirez tous les débris se trouvant sur la trajectoire du chargement des documents. |
| | Avez-vous chargé des documents conformément aux directives de chargement décrites dans la section 3.2 Numérisation de divers types de documents du Guide d'utilisation ? | De tels documents peuvent présenter des difficultés lors de leur chargement dans l'AAD. Essayez les opérations suivantes : • Du bout des doigts, poussez légèrement le document dans l'AAD au moment du chargement. • Modifiez le sens de chargement du document. |
| Le scanneur n'est pas reconnu malgré l'installation de ScanSnap Manager. | Avez-vous relié le scanneur à votre ordinateur avant d'avoir installé ScanSnap Manager ? Est-ce que le scanneur est enregistré en tant qu'"Autres périphériques" dans le "Gestionnaire de périphériques" ? | Depuis le menu [Démarrer], pointez sur [Panneau de configuration] - [Système] - [Matériel] - [Gestionnaire de périphériques]. Supprimez le nom du périphérique indiqué sous "Autres périphériques" et redémarrez votre ordinateur. |
| La taille du fichier de l'image numérisée est la même que celle d'un document couleur, bien que vous ayez numérisé un document en noir et blanc (N&B). | Est-ce que le document N&B a été numérisé en mode couleur ? | Dans "Paramètres de numérisation et d'enregistrement", cliquez sur l'onglet [Mode de numérisation] puis réglez [Mode couleur :] sur "N&B". |

| Problème rencontré | Vérifiez cet élément | Solution |
|--|--|---|
| Une image apparaît être la superposition du recto et du verso d'un document. (parasites du verso de l'image) | Dans "Paramètres de numérisation et d'enregistrement", pointez sur l'onglet [Mode de numérisation] : dans [Option...], est-ce que la case "Configuration pour document avec texte seulement" est désactivée? | Cochez la case "Configuration pour document avec texte seulement". (Disponible uniquement en mode couleur) En effet, cette option permet d'obtenir des caractères et lignes plus marquées et d'éliminer les parasites du verso du document. Cette option est également idéale pour des documents composés de photographies et d'illustrations. Toutefois, le contraste et les couleurs risquent d'être altérés. |
| Les images numérisées n'apparaissent pas sur l'écran. (L'option "Saut de pages blanches" a été activée.) | Si vous cochez la case d'option "Saut de pages blanches", les documents contenant quelques caractères seront reconnus comme étant des pages vierges et leurs données sont accidentellement effacés. | Cliquez à droite de la souris sur l'icône "ScanSnap Manager" puis pointez sur [Paramètres...] – l'onglet [Numérisation] Puis cliquez sur [Option...]. Enfin, démarquez la case "Saut automatique de pages blanches". |
| Les images numérisées sont désalignées (L'option "Détection automatique des images désalignées" a été activée.) | L'écart du désalignement des documents est-il de $\pm 5^\circ$? | L'option " Détection automatique des images désalignées" peut corriger les désalignements jusqu'à $\pm 5^\circ$. Chargez les documents dans le scanner de façon à ce que le désalignement n'exécède pas cette tranche. Si le problème persiste, cliquez à droite de la souris sur l'icône "ScanSnap Manager" puis pointez sur [Paramètres...] – l'onglet [Numérisation] Puis cliquez sur [Option...]. Enfin, démarquez la case d'option " Détection automatique des images désalignées". |
| | Selon le contenu du document, la fonction "Détection automatique des images désalignées" peut ne pas être effective. | Consultez la section 3.4 Modification des paramètres de numérisation du Guide d'utilisation. |
| L'orientation des images générées n'est pas correcte (L'option "Rotation automatique des images" a été activée.) | Selon le contenu du document, la fonction "Rotation automatique des images" peut ne pas être effective. | Consultez la section 3.4 Modification des paramètres de numérisation du Guide d'utilisation. |

*1) Si vous exploitez Windows XP, depuis "Propriétés", cliquez avec le bouton droit de la souris sur le nom de l'ordinateur puis sur "Rechercher les modifications sur le matériel".

*2) Vérifiez que le scanner et l'ordinateur sont sous tension et correctement reliés.

- Depuis **Device Manager**, vérifiez si ScanSnap est bien considéré comme un périphérique connu. Dans le cas contraire, supprimez-le depuis [Panneau de configuration] - **[Système]**.
- Fermez ScanSnap Manager.
- Pointez sur [Panneau de configuration], cliquez sur [Ajouter ou supprimer des programmes] puis désinstallez ScanSnap Manager et ScanSnap Organizer. (Consultez le chapitre 4. Désinstallation de ScanSnap (page 123) du Guide d'utilisation".)
- Avant de redémarrer votre ordinateur, supprimez les dossiers suivants :



IMPORTANT

Soyez extrêmement vigilant lors de la suppression des dossiers. Attention à ne pas vous tromper. Toute erreur pourrait grandement nuire à votre ordinateur.

Si vous exploitez Windows 2000/Windows XP

Supprimez le dossier ScanSnap contenu dans :

c:/Documents and Settings/<User name>/Application Data/PFU/

Supprimez le dossier Pilote (Driver) contenu dans :

c:/Program Files/PFU/ScanSnap/

Si vous exploitez Windows 98/ME

Supprimez le dossier Pilote (Driver) contenu dans :

c:/Program Files/PFU/ScanSnap/

Après la suppression de ces dossiers, veuillez également confirmer la suppression des fichiers contenus dans le dossier

C:/Windows/Inf

- fi5110e.INT

- fi5110e.PNF

Si ces fichiers sont toujours disponibles, veuillez les supprimer.



Le dossier C:/Windows/Inf peut être caché. Pour pouvoir accéder à ces deux fichiers, ouvrez le menu [Explorateur] puis pointez sur [Outils], [Options Dossiers...] puis sur l'onglet [Affichage]. Vérifiez si la case d'option [Afficher les fichiers et dossiers cachés] en-dessous de [Fichiers et dossiers cachés] est bien cochée. Le dossier C:/Windows/Inf ainsi visible, il vous sera possible de confirmer la présence ou non des fichiers fi5110e.INT et fi5110e.PNF.

Après avoir supprimé les dossiers et fichiers indiqués, débranchez le ScanSnap puis redémarrez votre ordinateur. Ensuite, réinstallez ScanSnap Manager.

*3) Pour vérifier si le scanner est connecté avec une interface USB1.1 ou USB2.0, à l'aide d'un clic-droit de la souris sur l'icône de ScanSnap, pointez sur [Aide] dans le menu qui s'affiche puis sur [À propos de ScanSnap Manager] puis sur [Détails] de la boîte de dialogue [Informations sur la Version]. Dans [Informations sur le scanner], le [type d'USB] vous sera indiqué.

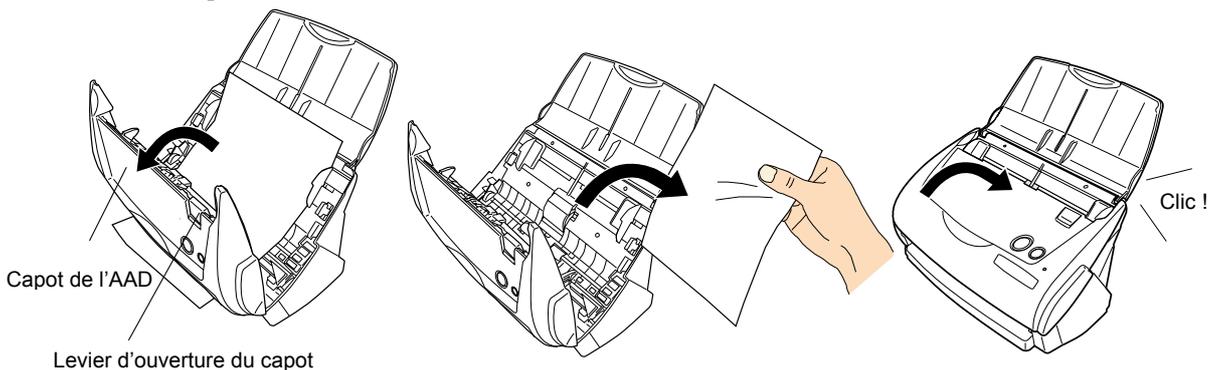
*4) Le "chargement multiple" signifie que plusieurs documents ont simultanément été chargés dans le scanner.

* Si vous souhaitez en savoir plus, n'hésitez pas à visiter notre site Web. De plus amples informations seront postées dans la FAQ dans le site suivant :

<http://scansnap.fujitsu.com>

4.2 Dégagement des brouillages papier

1. Ouvrez l'AAD en levant le levier d'ouverture du capot.
2. Retirez le document resté coincé dans l'AAD.
3. Rabaissez le capot de l'AAD.



⇒ Vous devez entendre un déclic lorsque l'AAD retrouve sa position initiale.

5. Entretien

Ce chapitre explique comment nettoyer le scanner.



Risque d'incendie ou d'électrocution

Avant de nettoyer le scanner, débranchez d'abord l'adaptateur c.a. puis éteignez-le.

5.1 Produits de nettoyage

| Produit de nettoyage | Numéro de l'élément | Remarques |
|----------------------|---------------------|--|
| Nettoyant F1 | CA99501-0013 | 1 flacon (100ml) Imbibez un chiffon de ce liquide et essuyez le scanner. (*1) |

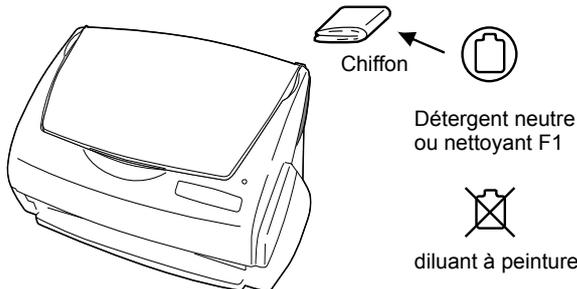
*1) Pour acheter le produit de nettoyage, contactez votre distributeur FUJITSU.

5.2 Nettoyage des éléments externes du scanner

Nettoyez l'extérieur du scanner et le plateau d'alimentation de l'AAD avec un chiffon doux imbibé d'une petite quantité de détergent neutre ou de nettoyant F1.



- N'utilisez jamais de diluant à peinture ou autre solvant organique.
- Lors du nettoyage, veillez à ne laisser pénétrer aucun liquide dans.
- N'utilisez pas de bombe aérosol pour nettoyer le scanner. Les bombes aérosol peuvent faire entrer de la poussière et des saletés dans le scanner, entraînant une panne ou un mauvais fonctionnement de celui-ci ou encore une numérisation de mauvaise qualité de l'image.



5.3 Nettoyage des éléments internes du scanner

Nettoyez les éléments internes avec un chiffon imbibé du nettoyant F1.

L'accumulation de poussière de papier due au chargement continu des documents peut être à l'origine de problèmes de numérisation.

À titre indicatif, nettoyez l'AAD toutes les 1 000

numérisations. Notez que cette valeur varie selon le type de documents numérisés. Par exemple, l'AAD devra être fréquemment nettoyé si la fréquence de numérisation de documents photocopiés est importante (au cas où l'encre des documents n'aurait pas été suffisamment fixée). Nettoyez l'AAD en vous reportant aux illustrations indiquées ci-dessous.

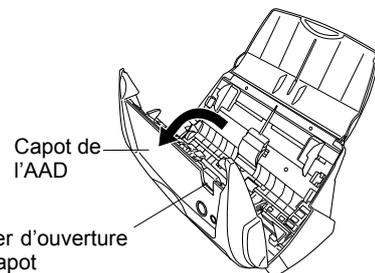


La surface vitrée se trouvant à l'intérieur de l'AAD se réchauffe pendant le fonctionnement du scanner. Avant de commencer à nettoyer l'intérieur du scanner, débranchez l'adaptateur c.a. de la prise de courant et attendez au moins 15 minutes, le temps que le scanner refroidisse.

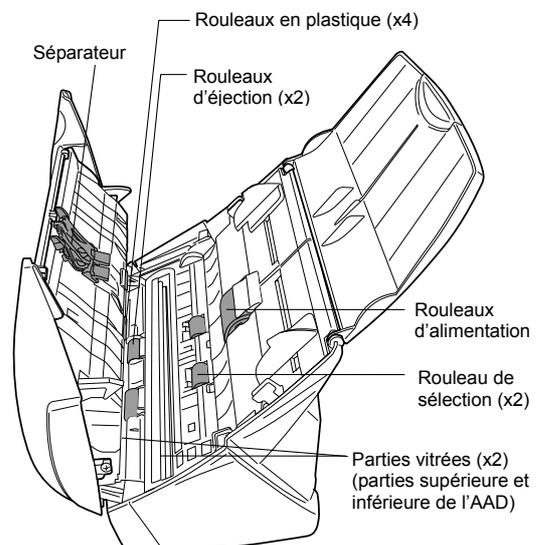


- N'utilisez jamais d'eau ou de produit détergent neutre pour le nettoyage des éléments internes du scanner.
- N'utilisez pas de bombe aérosol pour nettoyer le scanner. Les bombes aérosol peuvent faire entrer de la poussière et des saletés dans le scanner, entraînant une panne ou un mauvais fonctionnement de celui-ci.

1. Ouvrez l'AAD en levant le levier d'ouverture du capot.



2. Nettoyez les endroits suivants avec un chiffon sec imbibé du nettoyant F1



Séparateur (x 1)

Nettoyez le séparateur du haut vers le bas. Lors du nettoyage du séparateur, veillez à ce que le chiffon ne s'accroche pas aux parties du séparateur.

Parties vitrées (x 2)

Situées dans les parties supérieure et inférieure de l'AAD.

Nettoyez sans forcer.

Rouleau de prise (x 1)

Nettoyez délicatement, en veillant à ne pas endommager sa surface. Faites particulièrement attention au nettoyage du rouleau de sélection car des débris noirs déposés sur le rouleau peuvent grandement affecter les performances du chargement des documents.

Rouleaux en plastique (x 4)

Situées dans la partie supérieure de l'AAD. Nettoyez délicatement tout en les faisant tourner entre vos doigts et en veillant à ne pas rayer leur surface. Faites particulièrement attention au nettoyage des rouleaux en plastique car des débris noirs déposés sur les rouleaux peuvent grandement affecter les performances du chargement de documents.

Allumez le scanner pour nettoyer les parties suivantes. Nettoyant les rouleaux suivants en les faisant tourner.

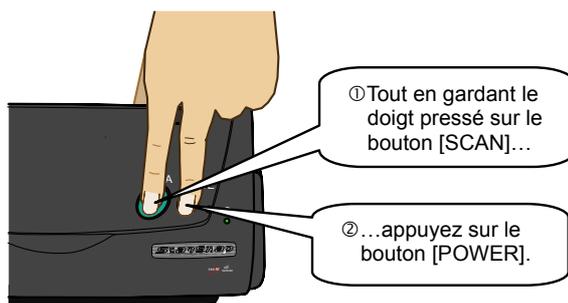
Rouleaux de chargement (x 2)

Nettoyez délicatement, en veillant à ne pas rayer leur surface. Faites particulièrement attention au nettoyage des rouleaux de chargement car des débris noirs déposés sur les rouleaux peuvent grandement affecter les performances du chargement de documents.

Rouleaux d'éjection (x2)

Nettoyez délicatement, en veillant à ne pas rayer leur surface. Faites particulièrement attention au nettoyage des rouleaux d'éjection car des substances noires déposées sur les rouleaux peuvent grandement affecter les performances du chargement de documents.

Pour faire tourner les rouleaux d'alimentation et d'éjection, appuyez d'abord sur le bouton [SCAN] puis tout en y gardant le doigt pressé, appuyez sur le bouton [POWER]. Sachez que si vous appuyez six fois sur [POWER], les rouleaux effectueront un tour complet.

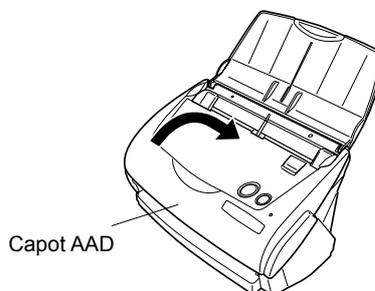


IMPORTANT



Branchez l'adaptateur c.a. et le câble c.a. uniquement lors du nettoyage des rouleaux d'alimentation et d'éjection.

3. Rabaissez le capot de l'AAD.



IMPORTANT



Assurez-vous que l'AAD est revenu à sa position initiale et qu'il est correctement fermé. Si vous ne le faites pas, des bourrages papier ou autres problèmes d'alimentation seraient à prévoir.

5.4. Nettoyage du Transparent

Si le transparent est sale ou en mauvais état, des erreurs de numérisation peuvent survenir. N'oubliez pas de nettoyer régulièrement le transparent A3.

< Méthode de nettoyage >

Imbibez un chiffon sec et doux de quelques gouttes du produit F1 (vendu séparément) ou d'un solvant doux puis nettoyez délicatement la surface ou l'intérieur du transparent.

ATTENTION



- N'utilisez pas de diluant peinture ou autres solvants organiques.
- Ne frottez pas excessivement le transparent, vous risqueriez de le rayer ou de le déformer.
- Après avoir nettoyé l'intérieur du transparent à l'aide du produit F1 ou d'un solvant doux, laissez sécher avant de le replier.
- À titre indicatif, veuillez remplacer le transparent après avoir effectué une moyenne de 500 numérisations.

Pour savoir où vous procurer un transparent, veuillez consulter la section "6.4 Pour se procurer des transparents"

6. Remplacement des consommables/du transparent

Ce chapitre explique comment obtenir et remplacer les pièces de rechange.



Risque d'incendie ou d'électrocution

Avant de remplacer les consommables du scanner, débranchez d'abord l'adaptateur c.a. pour éteindre le scanner.

6.1 Numéro des éléments et fréquence de remplacement

Le tableau suivant donne la liste des numéros des pièces de rechange et une indication approximative du cycle de remplacement de ces pièces.

| N° | Description | N° de la pièce | Cycle de remplacement |
|----|-------------------------------------|----------------|-------------------------------------|
| 1 | fi-5110EOX2 Séparateur | PA03360-0002 | 50 000 feuilles ou une fois par an |
| 2 | fi-5110EOX2 Rouleau de sélection | PA03360-0001 | 100 000 feuilles ou une fois par an |

Ces cycles de remplacement sont donnés à titre indicatif dans le cas d'une utilisation de papier sans bois A4/Lettre à 64 g/m² (17 lb). Le cycle de remplacement varie selon le papier utilisé.

Utilisez uniquement les consommables spécifiés par PFU LIMITED.

CONSEIL



Afin d'avoir une estimation sur le remplacement des consommables mais aussi, sur le nombre de pages numérisées, procédez de la manière suivante :

1. Dans la barre des tâches, effectuez un clic droit sur l'icône "ScanSnap Manager"  de la barre d'état système.
2. Cliquez sur [Vérification des fournitures de consommables...] dans le menu qui s'affiche.



⇒ La boîte de dialogue "Vérification de l'état des consommables" indiquant le nombre de pages numérisées sera alors affichée.



Remplacez les consommables en utilisant "Valeur cible pour le changement de fournitures" comme indication approximative.

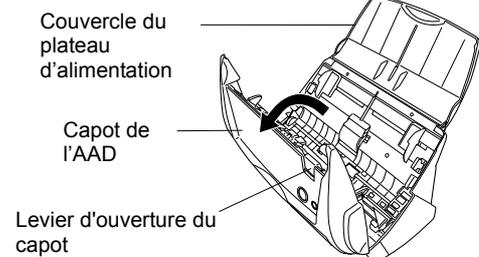
Pour en savoir plus sur les pièces de rechange et savoir où se les procurer, contactez votre distributeur ou visitez le site web suivant :

[Website] : <http://scansnap.fujitsu.com>

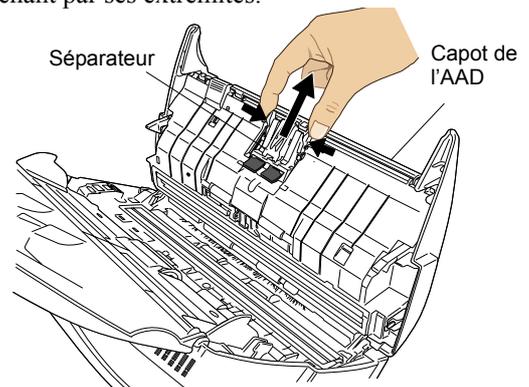
6.2 Remplacement du séparateur

Remplacez le séparateur comme indiqué ci-dessous.

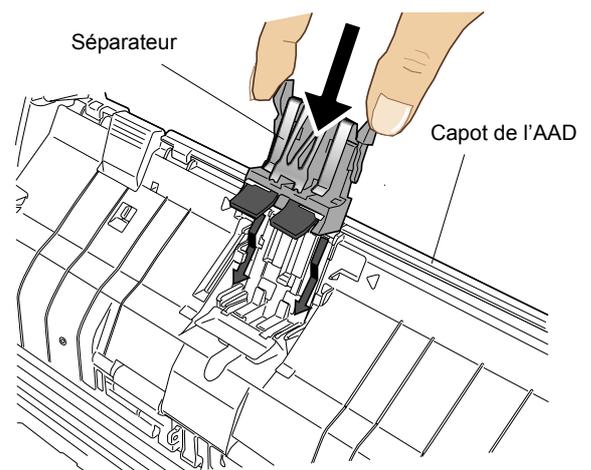
1. Enlevez les documents se trouvant dans le plateau d'alimentation.
2. Ouvrez l'AAD en levant le levier d'ouverture du capot.



3. Retirez le séparateur.
Tirez le séparateur dans le sens de la flèche tout en le tenant par ses extrémités.

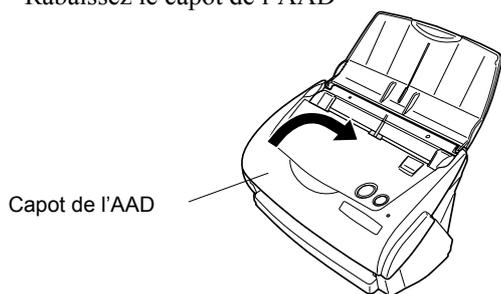


4. Fixez le nouveau séparateur.



Vérifiez que le séparateur est correctement installé. Si vous ne le faites pas, des bourrages papier ou autres problèmes d'alimentation seraient à prévoir.

- Rabaissez le capot de l'AAD



⇒ Vous devez entendre un déclic lorsque l'AAD retrouve sa position initiale.

- Allumez le scanner.

⇒ L'icône de ScanSnap Manager passe de  à .

- Effectuez un clic droit sur l'icône "ScanSnap Manager"  dans la barre des tâches puis sélectionnez [Vérification des consommables] dans le menu.

- Dans la boîte de dialogue "Vérifier l'état des consommables", cliquez sur le bouton [Réinitialiser] du séparateur que vous venez de remplacer.

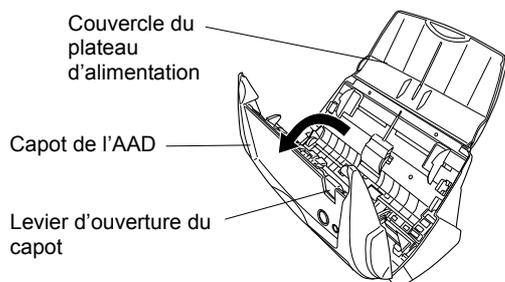


⇒ Vous venez de réinitialiser le compteur.

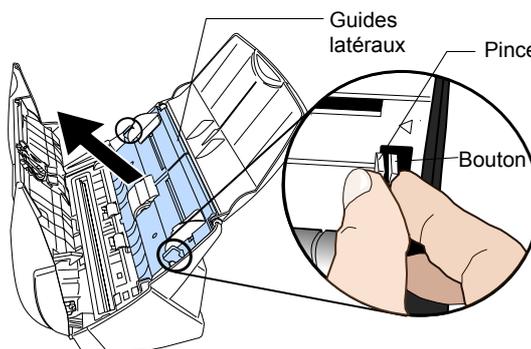
6.3 Remplacement du rouleau de sélection/prise

Remplacez le rouleau de sélection comme indiqué ci-dessous.

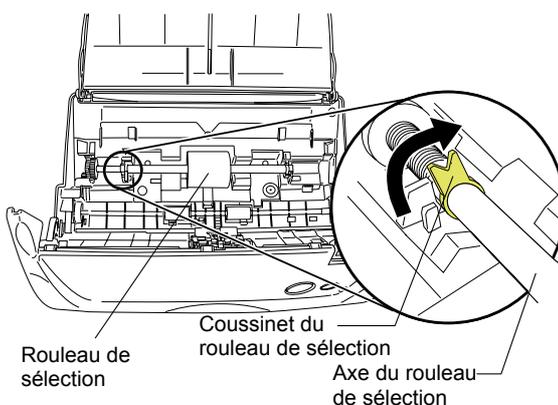
- Enlevez les documents se trouvant dans le plateau d'alimentation.
- Soulevez le capot de l'AAD en levant le levier d'ouverture.



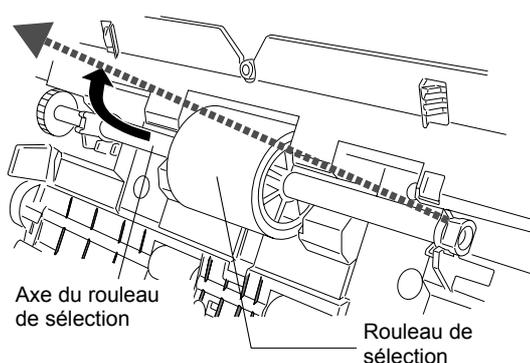
- Ôtez les guides latéraux. Pour cela, veuillez les pincer pour libérer leur prise.



- Faites tourner le coussinet du rouleau de sélection (gauche) dans le sens de la flèche.



- Retirez le rouleau de sélection avec son axe. Retirez le rouleau tout en effectuant le mouvement indiqué par la flèche.



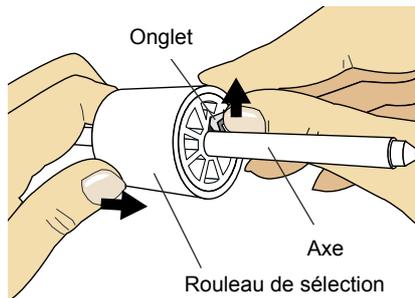
IMPORTANT



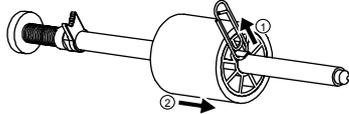
Si de la poussière de papier se trouve dans la loge du rouleau de sélection, des problèmes de numérisation peuvent se produire. Veuillez donc épousseter à l'aide d'un chiffon imbibé de quelques gouttes de produit F1.

* N'utilisez pas d'eau, de détergent neutre ou de bombe aérosol.

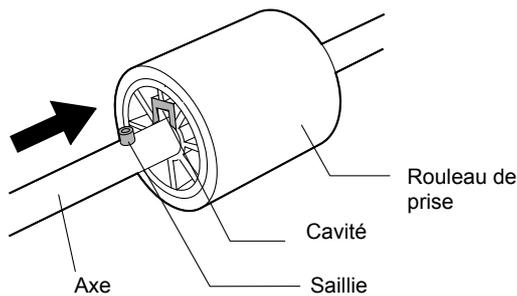
6. Retirez le rouleau de son axe.
Retirez l'axe du rouleau tout en soulevant l'onglet.



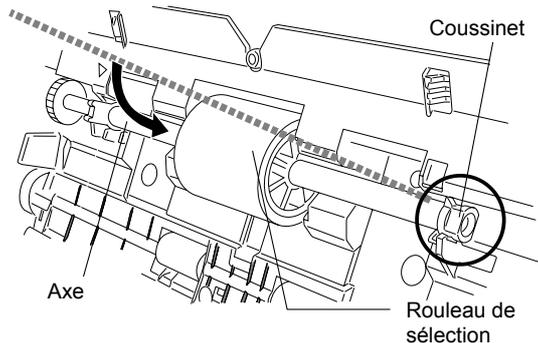
IMPORTANT Plutôt que d'utiliser votre ongle pour pouvoir manipuler l'onglet (vous pourriez vous faire mal ou vous casser un ongle), n'hésitez pas à utiliser un trombone.



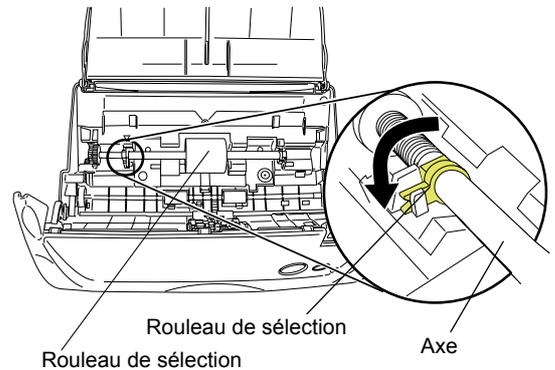
7. Insérez le nouveau rouleau de sélection dans l'axe.
Insérez le nouveau rouleau de sélection dans l'axe en prenant garde à la saillie.



8. Installez le rouleau de sélection dans son axe puis dans son emplacement d'origine.

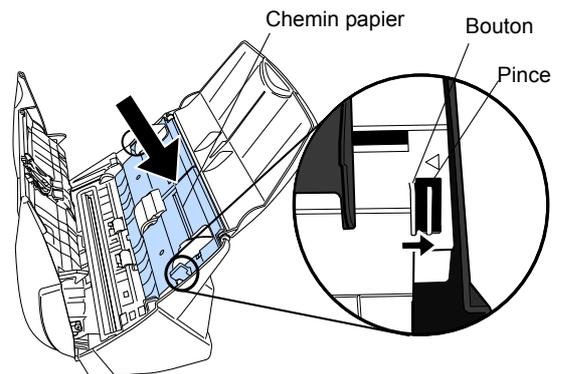


9. Fixez le coussinet du rouleau de sélection (gauche) en le faisant tourner dans le sens de la flèche comme indiqué dans le schéma ci-dessous.



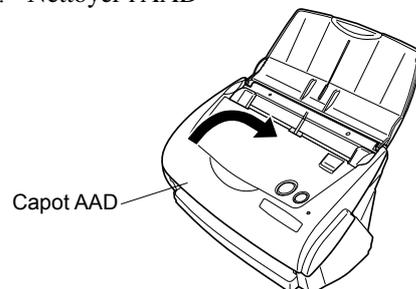
IMPORTANT Vérifiez que le rouleau de sélection est installé correctement. Si vous ne le faites pas, des brouillages papier ou autres problèmes d'alimentation seraient à prévoir.

10. Réinstallez les guides latéraux du scanner.
Tout en maintenant le chemin du document, refixez les guides latéraux dans le scanner.



⇒ Vous devez entendre un déclic lorsque le chemin papier retrouve sa position initiale.

11. Nettoyer l'AAD



⇒ Vous devez entendre un déclic lorsque l'AAD retrouve sa position initiale.

12. Allumez le scanner.

⇒ L'icône ScanSnap Manager passe de  à .

13. Faites un clic-droit sur l'icône "ScanSnap Manager" **S** dans la barre des tâches puis pointez sur [Vérifier les consommables] dans le menu.
14. Dans la boîte de dialogue "Vérifier l'état des consommables", cliquez sur le bouton [Réinitialiser] du consommable que vous venez de remplacer.



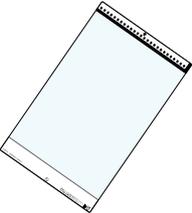
6.4 Pour vous procurer un Transparent

Cet accessoire peut être obtenu séparément.

À titre indicatif, nous vous conseillons de remplacer le transparent au bout de 500 utilisations.

Cependant, selon l'usage que vous pourrez en faire, n'hésitez pas à le remplacer dès que vous constatez une dégradation de ce matériel.

Veillez trouver ci-dessous la description et la référence du Transparent (vendu séparément) :

| Description | Qté | Réf. |
|--|-----|-------------|
| Transparent  | 5 | FI-511ES-WW |

Farbbild-Scanner

ScanSnap™

fi-5110EOX2

Los Geht's



Bitte lesen Sie dieses Handbuch vor dem Anschluss des Scanners an Ihren PC.

FUJITSU

Inhalt

| | |
|---|-----------|
| Einführung | 1 |
| 1. Vorbereitungen | 6 |
| 1.1. Kontrolle des Lieferumfangs..... | 6 |
| 1.2. Bezeichnung und Funktionen der Teile | 6 |
| 2. ScanSnap anschließen | 7 |
| 2.1. Installation der mitgelieferten Software | 7 |
| 2.1.1. Installation von Adobe Acrobat 7.0 | 7 |
| 2.1.2. Installation von ScanSnap Manager, ScanSnap Organizer, CardMinder und PDF Thumbnail View | 8 |
| 2.2. Anschluss des Scanners | 9 |
| 2.2.1. Anschluss des Netzkabels | 9 |
| 2.2.2. Anschluss des USB-Kabels | 9 |
| 3. Grundlegende Bedienverfahren von ScanSnap | 11 |
| 3.1. Dokumente scannen | 11 |
| 3.2. Die Scaneinstellungen | 11 |
| 3.3. Dokumente scannen | 11 |
| 3.4. Mit dem Trägerblatt scannen..... | 12 |
| 3.5. Visitenkarten scannen | 12 |
| 3.6. Über PDF Thumbnail View..... | 13 |
| 3.7. ScanSnap Organizer | 13 |
| 4. Problembhebungen | 14 |
| 4.1. Liste der möglichen Probleme | 14 |
| 4.2. Beheben eines Papierstaus..... | 18 |
| 5. Tägliche Pflege | 19 |
| 5.1. Reinigungsmaterialien | 19 |
| 5.2. Reingen des Scanneräußeren | 19 |
| 5.3. Reinigen des Scannerinneren | 19 |
| 5.4. Reinigen des Trägerblattes | 20 |
| 6. Verbrauchsmaterialien/Trägerblatt | 21 |
| 6.1. Teile-Nr und Ersetzungs-Zyklen der Verbrauchsmaterialien..... | 21 |
| 6.2. Austausch der Papierseparations-Einheit | 21 |
| 6.3. Austausch der Einzugsrolle | 22 |
| 6.4. Erwerben des Trägerblattes | 24 |

Alle Rechte vorbehalten, Copyright© PFU LIMITED 2005.

Der Inhalt dieses Handbuchs kann ohne vorherige Ankündigung geändert werden.

Kein Teil dieses Handbuchs darf ohne Genehmigung in irgendeiner Form reproduziert werden.

LESEN SIE DIESES HANDBUCH SORGFÄLTIG UND VOLLSTÄNDIG DURCH, BEVOR SIE DIESES PRODUKT VERWENDEN. BEI UNSACHGEMÄßER VERWENDUNG KÖNNEN DER BENUTZER ODER ANWESENDE ZU SCHADEN KOMMEN.

Bei der Zusammenstellung des Handbuchs wurden alle Anstrengungen unternommen, um für die Richtigkeit und Vollständigkeit der darin enthaltenen Informationen zu sorgen. PFU LIMITED übernimmt jedoch keine Haftung für Schäden, die einer Partei aufgrund etwaiger Fehler und Auslassungen oder aufgrund von Anweisungen beliebiger Art in diesem Handbuch, dessen Aktualisierungen oder Ergänzungen entstehen, unabhängig davon, ob diese Fehler, Auslassungen oder Anweisungen auf Fahrlässigkeit, Zufall oder andere Ursachen zurückzuführen sind.

PFU LIMITED übernimmt ferner keine Haftung für Schäden, die aus der Anwendung oder dem Gebrauch eines hier beschriebenen Produktes oder Systems entstehen; sowie keine Haftung für zufällige Schäden oder Folgeschäden, die aus der Verwendung dieses Handbuchs entstehen.

PFU LIMITED schließt für die hier enthaltenen Informationen alle ausdrücklichen, konkludenten und gesetzlichen Gewährleistungen aus. PFU LIMITED übernimmt keine Haftung für Ansprüche gegenüber dritten Parteien für zufällige Schäden oder Folgeschäden, die aus der Verwendung dieses Produktes entstehen.

Einführung

Vielen Dank, dass Sie sich für den ScanSnap fi-5110EOX2 Duplex-Farbscanner entschieden haben.

Der ScanSnap fi-5110EOX2 Farbbild-Scanner beinhaltet außerdem noch nützliche Büroanwendungen. Es ist als komplettes Bürosystem konzipiert und hilft Ihnen, Ihre Produktivität zu verbessern und Scannprobleme im Büro zu lösen. ScanSnap bietet folgende Leistungsmerkmale.

- **Per Knopfdruck am Scanner können Bilder auf Papier in PDF-Dateien verwandelt werden!**

Sie können den Dokumentenberg auf Ihrem Schreibtisch in PDFs verwandeln, und diese Dateien im Computer speichern und verwalten. Die beigefügte Adobe® Acrobat® Software hilft Ihnen, die PDF-Dokumente anzuzeigen.

ScanSnap erkennt automatisch den Dokumententyp, Farbe oder schwarzweiß, und ist somit in der Lage, die Größe der gescannten Bilddateien mit einer Mischung aus Farb & Schwarzweißseiten zu verkleinern. Der Scanner entfernt automatisch leere Seiten und hilft so die Größe der Dateien noch weiter zu reduzieren.

- **Müheloses Scannen!**

Doppelseitige A4 Farbdokumente oder Briefgrößen (Letter) werden mit einer Geschwindigkeit von bis zu 15 Blatt/Minute gescannt (Systemvoraussetzungen: Intel® Pentium® 4 1.8GHz oder schneller, mit Windows® 98, Windows® Me, Windows® 2000 oder Windows® XP. Scanmodus: Normal, Farbmodus: Auto und Kompressionsrate: 3).

- **Kleines, praktisches Grundmaß!**

Mit einer Stellfläche etwa in der Größe von einem DIN A4 Blatt, ist ScanSnap ideal für Ihren Schreibtisch.

- **Visitenkarten einfach archiviert!**

Die beigefügte OCR-Funktion, Teil der "CardMinderTM für ScanSnap" Software, hilft Visitenkarten einfach digital zu verwalten und zu bearbeiten.

(*Der ScanSnap fi-5110EOX2 Scanner entspricht nicht dem TWAIN- oder ISIS-Standard.)

Hersteller

PFU LIMITED
International Sales Dept., Imaging Business
Division, Products Group
Solid Square East Tower, 580 Horikawa-cho,
Saiwai-ku, Kawasaki-shi Kanagawa 212-8563,
Japan
Tel.: +81 (44) 540-4538

Warenzeichen

Microsoft und Windows sind eingetragene Warenzeichen der Microsoft Corporation in den

Vereinigten Staaten und/oder anderen Ländern.

Adobe, das Adobe Logo, und Acrobat sind eingetragene Warenzeichen der Adobe Systems Incorporated in den Vereinigten Staaten und/oder anderen Ländern.

ScanSnap, das ScanSnap Logo und CardMinder sind Warenzeichen von PFU LIMITED.

Andere Firmennamen und Produktnamen sind Herstellerzeichen und eingetragene Warenzeichen der jeweiligen Firmen.

Warenzeichen und Produktbezeichnungen in diesem Handbuch

ScanSnap: ScanSnap fi-5110EOX2
CardMinder: CardMinderTM 2.0

Betriebssysteme (BS) werden wie folgt bezeichnet:

Windows 98: Microsoft® Windows® 98 Betriebssystem.
Windows Me: Microsoft® Windows® Millennium Edition Betriebssystem.
Windows 2000: Microsoft® Windows® 2000 Professional Betriebssystem.
Windows XP: Microsoft® Windows® XP Professional Betriebssystem, Microsoft® Windows® XP Heimausgabe Betriebssystem.

Wenn es zwischen den verschiedenen oben aufgelisteten Versionen keinen Unterschied gibt, wird der allgemeine Begriff „Windows“ verwendet.

Adobe Acrobat 7.0: Adobe® Acrobat® 7.0 Standard

Wenn es zwischen den verschiedenen Versionen keinen Unterschied gibt, wird der allgemeine Begriff „Acrobat“ verwendet.

■ ScanSnap und die Handbücher

ScanSnap fi-5110EOX2 besteht aus:

- 1) fi-5110EOX2: Farbbild-Scanner
- 2) Trägerblatt: DIN A3 Dokumente können für das Scannen in das Trägerblatt eingelegt werden. Sie können das Trägerblatt ebenso für B4 Dokumente mit Überlänge, oder für Dokumente mit einer unregelmäßigen Form verwenden. Auch geheftete Dokumente können so problemlos gescannt werden.
- 3) ScanSnap Manager (auch ScanSnap Treiber): Bilderfassungs-Software für den ScanSnap zum Scannen von Dokumenten und Erstellen von PDF-Dateien.
- 4) CardMinder: Software mit OCR-Funktion zur Erfassung und Verarbeitung von Visitenkartendaten für eine „Personal Information Manager Software“ wie z.B. Microsoft® Outlook®.
- 5) Adobe® Acrobat®: De Facto Standardsoftware zur Erstellung und Bearbeitung von PDF-Dokumenten.

Folgende Handbücher stehen Ihnen zu Verfügung:

ScanSnap fi-5110EOX2 Los Geht's

(Dieses Handbuch):

Enthält Informationen zur Installation und zum grundlegenden Betrieb von ScanSnap.

ScanSnap fi-5110EOX2 Bedienungshandbuch

(Das Bedienungshandbuch befindet sich im PDF-Format auf der ScanSnap Setup CD-ROM):

Das Bedienungshandbuch informiert detailliert über die Installation der ScanSnap Software und Hardware, den Betrieb der Scanner-Hardware und Operationen des ScanSnap Managers.

CardMinder Benutzerhandbuch

(Das Benutzerhandbuch befindet sich im PDF-Format auf der ScanSnap Setup CD-ROM):

Informiert detailliert über die Benutzung von CardMinder.

ScanSnap Organizer Benutzerhandbuch

(Im PDF-Format auf der ScanSnap Setup CD-ROM):

Dieses Handbuch beschreibt die Handhabung von ScanSnap Organizer.

Informationen über die Benutzung von Adobe Acrobat finden Sie unter "Adobe Acrobat Hilfe".

■ Behördliche Bestimmungen

FCC Erklärung

Dieses Gerät wurde getestet und gemäß den Kriterien eines digitalen Klasse B Gerätes (laut Abschnitt 15 der FCC Regeln) für konform befunden. Diese Bestimmungen wurden erlassen, um einen wirksamen Schutz gegen schädliche Einflüsse in bewohnter Umgebung zu gewährleisten. Dieses Gerät generiert, gebraucht und kann Hochfrequenzenergie ausstrahlen, und wenn es nicht gemäß den Anweisungen des Bedienungshandbuches installiert und betrieben wird, eventuell einen schädlichen Einfluss auf Radiokommunikation ausüben. Es kann jedoch keine Garantie übernommen werden, dass keine Interferenzen auf den Radio- oder TV-Empfang in einer bestimmten Installation auftreten können. Wenn dieses Gerät einen schädlichen Einfluss auf den Radio- oder TV-Empfang ausüben sollte (was durch das Aus- und wieder Einschalten des Scanners festgestellt werden kann), wird der Benutzer angehalten diese Interferenzen durch eine oder mehrere der folgenden Maßnahmen zu beseitigen:

- Richten Sie die Empfangsantenne neu aus oder platzieren Sie diese neu.
- Vergrößern Sie den Abstand zwischen Gerät und Empfänger.
- Schließen Sie das Gerät an einen anderen Stromkreis als den des Empfängers an.
- Kontaktieren Sie Ihren Fachhändler oder einen ausgebildeten Radio/TV-Techniker.



Änderungen oder Modifikationen am Gerät, welche nicht ausdrücklich von der für die Vertragserfüllung verantwortlichen Partei erprobt und bestätigt worden sind, führen zum Erlöschen der Betriebsberechtigung.



Benutzen Sie ausschließlich die dem Scanner beigelegten USB- und Netzkabel, um so die Beachtung der Klasse B Beschränkungen gemäß Teil 15 der FCC-Richtlinien sicherzustellen.

Kanadische DOC Regulierungen

Dieser digitale Apparat überschreitet nicht die Klasse B Radioemissions-Beschränkungen, wie in den „Radio-Störungs-Regulierungen“ des Canadian Department of Communications festgelegt wurden. Dieser digitale Klasse B Apparat entspricht den Kanadischen ICES-003 Normen.

Le présent appareil numérique n'émet pas de bruits radioélectriques dépassant les limites applicables aux appareils numériques de la classe B prescrites dans le Règlement sur le brouillage radioélectrique dicté par le ministère des Communications du Canada. Cet appareil numérique de la classe B est conforme à la norme NMB-003 du Canada.

Bescheinigung des Herstellers / Importeurs

Hiermit wird für den fi-5110EOX2 folgendes bescheinigt:

- In Übereinstimmung mit den Bestimmungen der EN45014(CE) funkentstört
- Laut Maschinenlärminformations-Verordnung 3. GPSGV; 06.01.2004 beträgt der höchste Schalldruckpegel 70 dB (A) oder weniger (gemäß EN ISO 7779).

Internationales ENERGY STAR® Programm

Als ENERGY STAR® Partner hat PFU LIMITED bestimmt, dass dieses Produkt die ENERGY STAR® Richtlinien für einen effizienten Umgang mit Energie erfüllt.

Das Internationale ENERGY STAR® Büroausstattungsprogramm ist ein internationales Programm, welches einen sparsamen Umgang mit Energie durch den Vertrieb von energiesparenden Computern und anderen Büroausstattungen,



gewährleistet. Dieses Programm unterstützt die Entwicklung und Verbreitung von Produkten mit Funktionen, die den Energieverbrauch sichtlich reduzieren. Es ist ein offenes System, in welchem Unternehmer freiwillig teilnehmen können. Die Zielgruppenprodukte sind Büroausstattungen wie Computer, Bildschirme, Drucker, Bildfunkgeräte (Fax), Kopierer, Scanner und Multifunktions-Geräte. Diese Normen und Logos () sind für die entsprechende Produktgruppe, vereinheitlicht unter den teilnehmenden Nationen.

Nutzung in Hochsicherheits-Anwendungen

Dieses Produkt wurde zur allgemeinen Verwendung entworfen, entwickelt und hergestellt, insbesondere für folgende Bereiche: in allgemeinen Büroeinrichtungen, zum persönlichen Gebrauch und im Haushalt. Das Produkt wurde NICHT für den Einsatz in Umgebungen entworfen, entwickelt und hergestellt, in denen besonders hohe Sicherheitsrisiken bestehen, wie Gefahr für Leib und Leben oder andere Gefahren, für die extrem hohe Sicherheitsvorkehrungen erforderlich sind und die andernfalls zu Todesfolge, Personenschäden, schwerwiegenden Sachschäden oder sonstigen Verlusten führen könnten (im Folgenden „Verwendung in Hochsicherheitsbereichen“ genannt). Zu diesen Umgebungen gehören u. a. (aber nicht darauf beschränkt): Kontrollsysteme für Kernreaktoren, Flugzeugsteuerungen, Steuerungen für den Betrieb von öffentlichen Verkehrsmitteln, Lebenserhaltende Systeme, Waffensteuerungssysteme. Verwenden Sie dieses Produkt NIEMALS, ohne sichergestellt zu haben, dass alle Sicherheitsvorkehrungen in ausreichendem Maße getroffen wurden, so dass sie den Anforderungen für die Verwendung in Hochsicherheitsbereichen entsprechen. Sollten Sie dieses Produkt in Hochsicherheitsbereichen verwenden wollen, setzen Sie sich bitte vor dem Gebrauch mit unserem zuständigen Vertriebsmitarbeiter in Verbindung. PFU LIMITED übernimmt keine Haftung für Verluste oder Ansprüche von Kunden oder dritten Parteien, die aus der Benutzung des Produktes oder in Zusammenhang mit der Benutzung in einem Umfeld mit erhöhten Sicherheitsanforderungen resultieren.

Über den Umgang mit Quecksilber

 Die Lampen des Scanners enthält Quecksilber und müssen gemäß den örtlich geltenden gesetzlichen Vorschriften entsorgt oder recycelt werden.

Um unerwartete Verletzungen zu vermeiden, lesen Sie das Folgende gründlich durch. Folgende Handlungen können zu ernsthaften Verletzungen führen:

- Nehmen Sie die Substanz der Lampen nicht in den Mund, da diese Quecksilber enthalten.

- Verbrennen, zerstoßen oder zerlegen Sie weder den Scanner, noch dessen Lampen.
- Atmen Sie die chemische Flüssigkeit der Lampen nicht ein.

■ Konventionen

Warnhinweise in diesem Handbuch



WARNUNG weist darauf hin, dass eine Verletzungsgefahr gegeben ist (z. B. Einklemmen der Finger oder Hände), wenn eine Prozedur nicht richtig ausgeführt wird



ACHTUNG weist darauf hin, dass der Scanner beschädigt werden kann, wenn eine Prozedur nicht richtig ausgeführt wird.

Symbole, die in diesem Handbuch benutzt werden.

Dieses Handbuch enthält folgende Symbole zusätzlich zu den „WARNUNG“ Symbolen.



Dieses Symbol ist ein Hinweis auf besonders wichtige Informationen. Lesen Sie diese unbedingt.



Dieses Symbol kennzeichnet Vorschläge, die Ihnen bei der richtigen Ausführung einer Prozedur helfen.



Das mit einem DREIECK gekennzeichnete Symbol steht für eine Warnung oder einen Vorsichtshinweis.

Die konkrete Bedeutung wird durch ein zusätzliches Symbol angezeigt.



Ein KREIS mit diagonaler Linie steht für Dinge, die Sie nicht tun dürfen (verbotene Aktion).

Die konkrete Bedeutung wird durch ein zusätzliches Symbol angezeigt.



Zeichen auf bunten Hintergrund zeigen zu befolgende Hinweise an.

Die konkrete Bedeutung wird durch ein zusätzliches Symbol angezeigt.

Über Warnungsetiketten

Dieses Produkt ist mit den folgenden Warnungsetiketten versehen.



Der Bereich um dieses Etikett wird sehr heiß. Geben Sie Acht diese nicht zu berühren, da dies sonst ernste Verbrennungen zur Folge haben kann.



Machen Sie die Etiketten weder unkenntlich, noch entfernen Sie sie vom Scanner.

Beispiele für Bildschirmbilder in diesem Handbuch

Die Bildschirmbeispiele in diesem Handbuch können im Sinne der Produktverbesserung ohne vorherige Ankündigung überarbeitet werden. Wenn die eigentlichen Bildschirmbilder von denen in diesem Handbuch abweichen, nehmen Sie Bezug auf das Handbuch für die Scanner-Anwendung, die Sie benutzen und verfahren Sie, wie dort beschrieben. Screenshots in diesem Handbuch stammen von ScanSnap Manager, CardMinder (Anwendung), PDF Thumbnail View, ScanSnap Organizer und Adobe Acrobat.

Über Wartung und Reparaturen

Reparaturen sind nicht von Benutzer durchzuführen. Kontaktieren Sie bitte Ihren Fachhändler, bei dem Sie den Scanner erworben haben oder einen autorisierten FUJITSU Scanner Servicepartner.

■ Sicherheitsvorkehrungen

BEACHTEN SIE DIESE HINWEISEN, WARNUNGEN UND SICHERHEITSVORKEHRUNGEN.



Berühren Sie das Netzkabel nicht mit nassen Händen. Dies kann einen elektrischen Schlag verursachen.



Ein beschädigtes Netzkabel kann einen Brand oder elektrischen Schlag verursachen.
Stellen Sie keine schweren Gegenstände auf das Netzkabel, ziehen Sie nicht daran und biegen Sie es nicht gewaltsam.

Verwenden Sie das Netzkabel bzw den Netzstecker nicht, wenn dieser beschädigt ist oder zu locker in der Steckdose sitzt.



Verwenden Sie ausschließlich das mit dem Scanner gelieferte Netzkabel (Netzteil). Benutzen Sie nur die spezifizierten Netzkabel und Anschlüsse. Andere Netzkabel können zu einer übermäßige Wärmeentwicklung führen und so einen Brand oder elektrischen Schlag verursachen.
Benutzen Sie das Netzkabel und Netzteil nicht für andere Geräte, da dies zu Fehlfunktionen, Schäden und elektrischen Schlägen führen kann.



Achten Sie auf korrekte Netzspannung und Stromversorgung. Stecken Sie den Netzstecker nur in eine Steckdose, die 16 A bei 230 V Wechselspannung liefert. Ansonsten könnte dies einen Brand oder elektrischen Schlag verursachen.

Verwenden Sie keine Verlängerungskabel oder Mehrfachsteckleisten.



Wenn sich auf dem Netzstecker oder Steckdose Staub befindet, entfernen Sie diesen mit einem trockenen Tuch. Schalten Sie vor der Reinigung die Sicherung aus und vergewissern Sie, dass die Steckdose nicht mehr unter Strom steht!

Abgelagerter Staub kann einen Brand oder elektrischen Schlag verursachen.



Stellen Sie den Scanner nicht in einem Raum mit hoher Umgebungstemperatur, hoher Luftfeuchtigkeit oder an einem schlecht belüfteten, verrauchten oder staubigen Ort auf. Dies könnte einen Brand oder elektrischen Schlag verursachen.



Falls der Scanner Hitze oder Rauch abgibt, oder Sie einen Geruch ausströmt oder Geräusche verursacht, schalten Sie den Scanner sofort aus und entfernen Sie das Netzkabel. Vergewissern Sie sich, dass kein Rauch mehr austritt, dann kontaktieren Sie Ihren Fachhändler oder autorisiertes FUJITSU Servicepartner.



Wenn der Scanner zu Boden gefallen ist oder die Abdeckung beschädigt wurde, ziehen Sie bitte sofort den Netzstecker aus der Steckdose. Setzen Sie sich anschließend mit Ihrer Verkaufsniederlassung oder einem autorisierten Servicepartner in Verbindung.



Lassen Sie keine metallenen Gegenstände in den Scanner fallen.
Scannen Sie keine Dokumente die nass sind oder mit Büroklammern o.ä. geheftet sind.
Schützen Sie den Scanner vor Feuchtigkeit.



Wenn Metallobjekte, Flüssigkeit, etc. in den Scanner gelangt sein sollten, schalten Sie diesen bitte sofort aus, ziehen Sie den Netzstecker aus der Steckdose und kontaktieren dann Ihren Händler oder einen autorisierten Serviceanbieter.
Achten Sie auf die Sicherheit kleiner Kinder.



Öffnen oder verändern Sie den Scanner nicht. Das Innere des Scanners enthält Starkstromkomponenten. Ein Berühren der Hochspannungskomponenten im Innern kann einen Brand oder elektrischen Schlag verursachen.



Im folgenden werden wichtige Warnhinweise beschrieben.



Platzieren Sie den Scanner sicher auf Ihrer Arbeitsfläche. Stellen Sie den Scanner auf eine flache, ebene Fläche.



Wählen Sie keinen instabilen Standort. Installieren Sie den Scanner auf einer ebenen Fläche die nicht vibriert, um ein Umfallen des Gerätes zu vermeiden.

Vergewissern Sie sich, dass die Arbeitsfläche das Gewicht des Scanners und anderer dort platzierten Geräte sicher tragen kann.



Stecken Sie den Netzstecker fest und sicher in die Steckdose.



Halten Sie den Scanner von starken magnetischen Feldern und elektromagnetischen Quellen fern. Schützen Sie den Scanner vor statischer Elektrizität, da diese Fehlfunktionen verursacht.



Benutzen Sie keine Reinigungssprays. Beim Spraysen gelangt Schmutz und Staub in den Scanner, wodurch Fehlfunktionen verursacht werden.



Wird der Scanner längere Zeit nicht benutzt, ziehen Sie aus Sicherheitsgründen den Netzstecker aus der Steckdose.



Setzen Sie den Scanner nicht direktem Sonnenlicht oder Hitzeinwirkung aus. Dies kann zu einem Hitzestau im Inneren des Scanners führen und einen Brand oder andere Probleme verursachen. Arbeiten Sie an einem gut belüfteten Ort.



Blockieren Sie die Lüftungsöffnungen nicht. Dies kann zu einem Hitzestau im Inneren des Scanners führen, was eine Fehlfunktion verursachen kann.



Stellen Sie keine schweren Objekte auf den Scanner und führen Sie keine Arbeiten auf seiner Oberfläche aus. Eine falsche Installation kann Verletzungen zur Folge haben.



Bewegen Sie den Scanner nicht mit angeschlossenen Netz- und Schnittstellenkabel, dies kann die Kabel beschädigen, einen Brand oder einen elektrischen Schlag oder eine Verletzung verursachen.

Entfernen Sie das Netzkabel von der Steckdose und ziehen Sie das Datenkabel, bevor Sie den Scanner bewegen. Achten Sie auf Hindernisse am Boden.



Berühren Sie während des Scannens keine mechanischen Teile des Scanners, es besteht Verletzungsgefahr.



Benutzen Sie den Scanner nicht sofort wenn Sie diesen von einem kalten Ort in eine warme Umgebung transportiert haben. Der Temperaturunterschied verursacht die Bildung von Kondensationswasser, was Fehlfunktionen des Scanners verursachen kann. Lassen Sie daher das Gerät für ein oder zwei Stunden vor der Benutzung trocknen.

1. Vorbereitungen

Dieses Kapitel beschreibt Vorbereitungen, die vor der Benutzung von ScanSnap durchgeführt werden müssen.



Schließen Sie den Scanner nicht vor der Installation der „PC Treiber“ an den Computer an. Wurde der Scanner vor der Installation des ScanSnap Treibers angeschlossen, kann der Scanner eventuell nicht korrekt funktionieren. Weitere Informationen zur Treiberinstallation bietet das Kapitel 2.

1.1. Kontrolle des Lieferumfangs

Kontrollieren Sie beim Auspacken des Scanners ob alle Zubehörteile vorhanden sind. Die Zubehörliste in der Scannerverpackung hilft Ihnen dabei.

1.2. Bezeichnung und Funktionen der Teile

Im folgenden werden die Bauteile und Funktionen beschrieben

■ Vorderseite

Papierschach-Abdeckung

Öffnen Sie zum Benutzen des Scanners diese Abdeckung.
→ Mit dem Öffnen der Abdeckung wird der Scanner eingeschaltet.

ADF-Abdeckung (ADF: Automatic Document Feeder)

Ausgabefach

Platzieren Sie den Scanner auf dem Ausgabefach, indem Sie die beiden Hervorstehungen an dessen Vorderseite mit den entsprechenden Gegenstücken des Ausgabefaches ausrichten.

Abdeckungs-Hebel

Ziehen Sie zum Öffnen der ADF-Abdeckung diesen Hebel.

Papierschacht-Abdeckung

Öffnen Sie die Abdeckung und legen die zu scannenden Dokumente in diese Einheit einn.

Papierführung

Passen Sie die Papeirführung an die Dokumentenbreite an um Fehlwinkeleinzüge zu vermeiden.

Ausgabefach

Ziehen Sie es zur Benutzung wie in der Abbildung gezeigt heraus.
→ Dokumente werden vom ADF in das Ausgabefach transportiert.

* Sie können den Scanner auch ohne das Ausgabefach verwenden.

■ Tasten



[SCAN] Taste

Startet das Scannen.

[POWER] Taste

Schaltet den Scanner ein/aus.

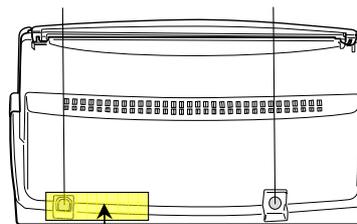
Power Lampe

Zeigt den Scannerstatus an
Grün :Bereit
Grün (Blinkt) :Scannt
Orange :Fehler
Kein Licht :Power aus

■ Rückseite

USB-Anschluss

Netzteilschluss



Siegel: Entfernen Sie dieses Siegel nach der Installation des ScanSnap Manager auf Ihrem PC.



Für die Dokumentenspezifikationen, siehe das **ScanSnap fi-5110EOX2 Bedienungshandbuch** auf der Setup CD-ROM.



Der Scanner wird automatisch ein/ausgeschaltet, wenn Sie die Papierfach-Abdeckung öffnen/schließen. Zum Ausschalten des Scanners bei geöffneter Papierfach-Abdeckung, drücken Sie bitte die [POWER] Taste.

2. ScanSnap anschließen

Dieses Kapitel beschreibt den Anschluss von ScanSnap an Ihren Computer.

2.1. Installation der mitgelieferten Software

Vor dem Anschluss des Scanners an den Computer installieren Sie bitte folgende Software.

- ① Adobe Acrobat 7.0 (Anwendung)
- ② ScanSnap Manager (Treiber)
- ③ ScanSnap Organizer (Anwendung)
- ④ CardMinder (Anwendung)
- ④ PDF Thumbnail View (Anwendung)



ACHTUNG

- Der ScanSnap Manager muss installiert werden, bevor der Scanner an den Computer geschlossen wird. Wird der Scanner vor der Installation des ScanSnap Manager angeschlossen, erscheint der "Assistent für das Suchen neuer Hardware" (dieses Fenster kann sich je nach Betriebssystem unterscheiden). Klicken Sie auf [Abbrechen], um das Programm zu schließen.
- ScanSnap Manager beinhaltet ebenso die Treiber Software für ScanSnap! fi-4110X2. Es ist nicht möglich, sowohl den ScanSnap fi-5110EOX2 und den fi-4110EOX Scanner gleichzeitig (oder zwei oder mehrere fi-5110EOX2 Scanner) an einen PC anzuschließen.
- Ist bereits ein ScanSnap fi-4110EOX2 oder ScanSnap fi-5110EOX Treiber auf Ihrem PC installiert, deinstallieren Sie diesen bitte vor der Installation.
- Melden Sie sich unter Windows 2000 oder Windows XP als Administrator an.
- Die Systemvoraussetzungen für ScanSnap fi-5110EOX2 sind:
Rechner: Intel® Pentium® III 600MHz oder schneller (Intel® Pentium® 4 1.8GHz oder schneller wird empfohlen)
Speicher: 128MB oder mehr (256MB oder mehr wird empfohlen)
*Wenn der Rechner oder Speicher nicht die empfohlenen Anforderungen erfüllt und USB 1.1 verwendet wird, setzt dies die Scangeschwindigkeit herab.



TIP

ScanSnap Manager enthält die Treiber Software für ScanSnap fi-4110EOX2 und ScanSnap fi-5110EOX. Besitzen Sie bereits ein (ScanSnap fi-5110EOX2 (dieses Produkt), ScanSnap fi-4110EOX2, oder ScanSnap fi-5110EOX Gerät, können Sie dieses an Ihren PC anschließen und benutzen.

2.1.1. Installation von Adobe Acrobat 7.0

Halten Sie die Adobe Acrobat 7.0 CD-ROM bereit.



ACHTUNG

Adobe Acrobat 7.0 wird nicht von Windows 98 und Windows Me unterstützt.

1. Legen Sie die „Adobe Acrobat 7.0 CD-ROM“ in das CD-ROM-Laufwerk ein.

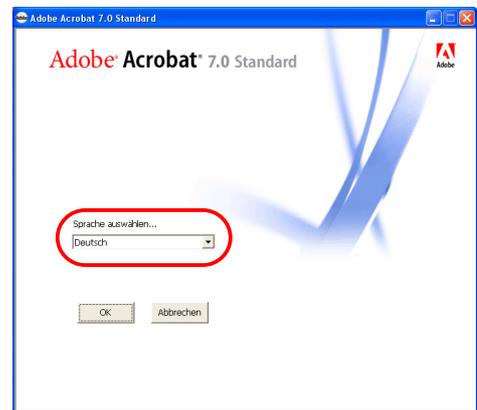
⇒ „Adobe Acrobat 7.0 Standard“ erscheint.



TIP

Dieses Fenster erscheint nicht, wenn die „Auto Play“ Einstellung des Computers deaktiviert ist. Führen Sie in diesem Fall bitte „AutoPlay.exe“ der CD-ROM mit Hilfe von „Explorer“ oder dem „Arbeitsplatz“ aus.

2. Sprache auswählen und klicken Sie auf [OK] Taste.



3. Klicken Sie auf „Willkommen bei Adobe Acrobat 7.0 Standard“.



4. Folgen Sie den Bildschirmanweisungen im Setup-Fenster.



TIP

Klicken Sie auf „Installation“ im „Adobe Acrobat 7.0 Standard“ Fenster, um Informationen über die Installation von Adobe Acrobat 7.0 zu erhalten.

„Adobe Acrobat Hilfe“ bietet Infos zu Adobe Acrobat 7.0.

2.1.2. Installation von ScanSnap Manager, ScanSnap Organizer, CardMinder und PDF Thumbnail View

Halten Sie die ScanSnap Setup CD-ROM bereit.

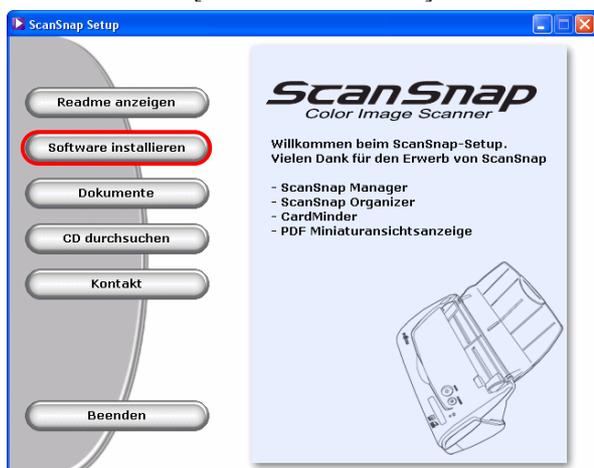
1. Legen Sie die "ScanSnap Setup CD-ROM" in das CD-ROM Laufwerk ein.

⇒ Das Einstellungs-Fenster wird angezeigt.



Dieses Fenster erscheint nicht, wenn die „Auto Play“ Einstellung des Computers deaktiviert ist. Führen Sie in diesem Fall bitte „AutoPlay.exe“ der CD-ROM mit Hilfe von „Explorer“ oder dem „Arbeitsplatz“ aus.

2. Klicken Sie auf [Software installieren].

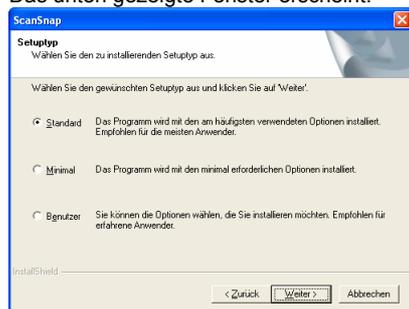


⇒ Beim Start der Installation des ScanSnap Treibers und ScanSnap erscheint das Installationsfenster.

3. Wenn das Einstellungs-Fenster erscheint, folgen Sie bitte den Bildschirmanweisungen.



Das unten gezeigte Fenster erscheint.



[Standard] <Empfohlen>
"ScanSnap Manager", "ScanSnap Organizer", "CardMinder" und "PDF Thumbnail View" werden mit ihren jeweiligen Handbüchern installiert.

[Minimal]
Der ScanSnap Treiber wird mit Handbuch installiert.

[Benutzer]
Sie können die mit Handbuch installierte Software auswählen.

(Bei einer erneuten Installation der Programme, werden die folgenden Bildschirme nicht angezeigt.)

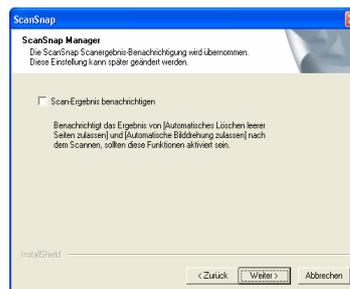


[Legen Sie die Dokumente zum Scannen mit der zu scannenden Seite nach unten ein (empfohlen)]

Zum Einlegen der Dokumente mit der zu scannenden Seite nach unten und „auf dem Kopf gesellt“.

[Legen Sie die Dokumente zum Scannen mit der zu scannenden Seite nach oben ein]

Zum Einlegen der Dokumente, wie Sie diese zum Lesen in der Hand halten. Also mit der beschrifteten Seite auf sich zu zeigend. (Hinweis: Sie können diese Einstellung nach im Nachhinein ändern.)



Zum Anzeigen oder Nicht-Anzeigen der "Scan-Ergebnis" Benachrichtigung nach dem Scannen.

Ist das Kontrollkästchen markiert, werden Sie über das Ergebnis der folgenden Funktionen informiert.

Automatisches Löschen leerer
Seiten zulassen
Automatische Bildddrehung
zulassen

4. Starten Sie nach dem Abschluss der Installation den Computer neu.



Siehe das "ScanSnap Bedienungshandbuch" für weitere Informationen über den ScanSnap Manager oder die Installation von CardMinder.

2.2. Anschluss des Scanners

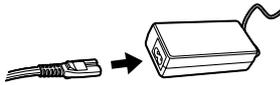
Schließen Sie bitte den Scanner nach dem Neustart des PCs an Ihren Computer an.

2.2.1. Anschluss des Netzkabels

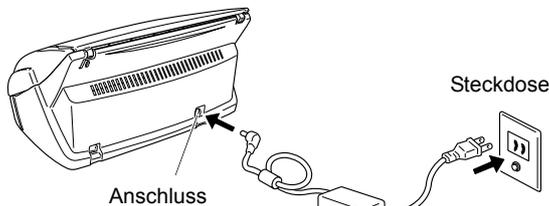


Verwenden Sie ausschließlich das mit dem Scanner gelieferte Netzkabel (Netzteil). Benutzen Sie nur die spezifizierten Netzkabel und Anschlüsse.

1. Schließen Sie das Netzkabel an das Netzteil an.



2. Stecken Sie den Netzstecker in eine Steckdose und schließen das Netzteils an den Netzteilanschluss am Scanner an.



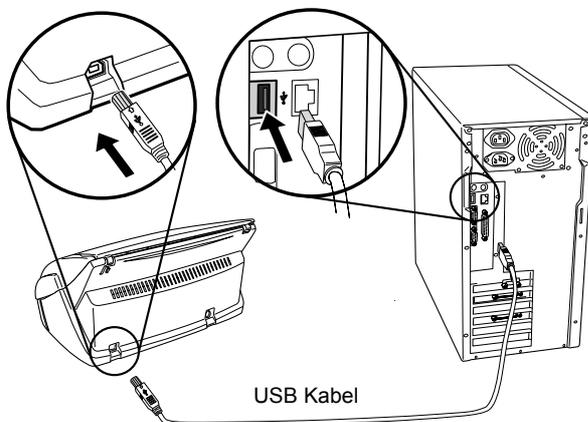
2.2.2. Anschluss des USB-Kabels

Es folgen Hinweise zum Anschluss des USB-Kabels.



- Benutzen Sie nur das mit dem Scanner gelieferte USB-Kabel. Der Betrieb mit anderen USB-Kabeln wird nicht garantiert. Nutzen Sie den USB-Hub, der dem Computer am nächsten ist (erste Stufe).
- Ab einem USB-Hub der zweiten Stufe, funktioniert ScanSnap eventuell nicht.

1. Entfernen Sie das Schutzetikett vom USB Anschluss.
2. Verbinden Sie Scanner und PC über das USB-Kabel



3. Öffnen Sie die Papierschacht-Abdeckung des Scanners.



Wenn der Scanner nicht automatisch eingeschaltet wird, drücken Sie bitte die [POWER] Taste auf dem Scanner.

- ⇒ Ihr Computer erkennt den Scanner (ScanSnap) automatisch.

Für Windows 98

Sie werden aufgefordert, eine CD einzulegen. Legen Sie die Windows 98 CD-ROM in das CD-ROM-Laufwerk ein. Klicken Sie anschließend auf [OK].

Für Windows Me

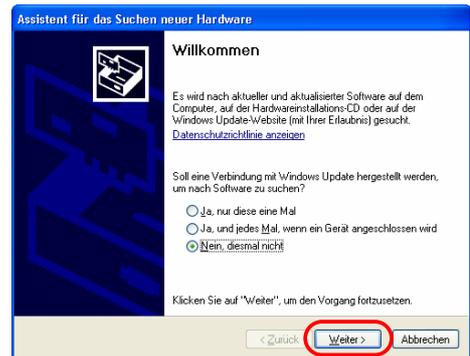
Die neue Hardware wird erkannt und die Installation automatisch zu Ende geführt.

Für Windows 2000

Klicken Sie auf [Ja], wenn die Meldung [Digitale Signatur nicht gefunden] erscheint.

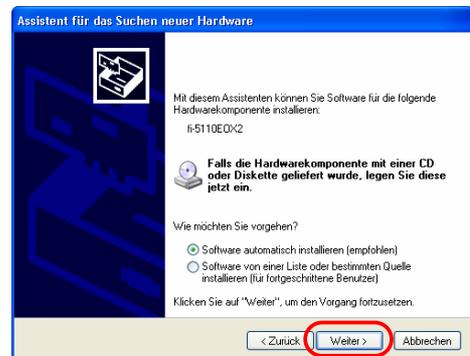
Für Windows XP

- 1) Wenn [Assistent für das Suchen neuer Hardware] erscheint, klicken Sie bitte auf [Nein, diesmal nicht]



(Dieser Bildschirm erscheint nur, wenn das Service Pack2 Installiert ist.)

- 2) Klicken Sie auf [Weiter >] Taste im folgenden Fenster.



3) Wenn [HardwareInstallation] erscheint, klicken Sie bitte auf [Installation fortsetzen].



Der "Assistent für das Suchen neuer Hardware" wird angezeigt. Klicken Sie auf die [Fertigstellen] Taste.

4) Klicken Sie auf [Fertig stellen] nachdem die Installation beendet ist.

Die ScanSnap Installation ist somit abgeschlossen.



Das "ScanSnap Manager" Symbol wird in der Arbeitsleiste angezeigt als:

Wird das Symbol weiterhin als angezeigt, drücken Sie die [POWER] Taste zum Ausschalten des Scanners. Drücken Sie dann erneut die [POWER] Taste um den ScanSnap wieder einzuschalten. (Warten Sie bitte vor dem Ein-/Ausschalten des Scanners mindestens 5 Sekunden.)



Drücken Sie zum Ein/Ausschalten des Scanners die [POWER] Taste für mindestens eine Sekunde. *Um ein unbeabsichtigtes Ein/ausschalten des Scanners zu vermeiden, funktioniert die [POWER] Taste nur, wenn diese für mindestens eine Sekunde gedrückt wird.

3. Grundlegende Bedienverfahren von ScanSnap

Dieses Kapitel beschreibt die grundlegenden Bedienverfahren von ScanSnap.

3.1. Dokumente scannen

Mit "ScanSnap" können Sie einfach per Knopfdruck die sich auf Ihrem Schreibtisch stapelnden Bürodokumente scannen und in digitaler Form speichern. Das gescannte Bild kann mit der mitgelieferten Anwendung (Adobe Acrobat, CardMinder) auf dem Bildschirm angezeigt werden.

Zwei Beispiele typische Anwendungen:

- ① Erstellen digitaler Sicherungskopien von Bürodokumenten in Form von PDF-Dateien. Betrachten und modifizieren Sie diese später mit "Adobe Acrobat". Sie können weiterhin mit der OCR Funktion (Text mit OCR erkennen) Texte auf dem Bild erkennen und bearbeiten. Mit der Sicherheitsfunktion können Sie Ihre Dokumente durch die Vergabe eines Passwortes schützen. (Hinweis: Für Information über die Handhabung von Adobe Acrobat, siehe die [Adobe Acrobat Hilfe].)
- ② Scannen und verwalten Sie Visitenkarten. Mit "CardMinder" geht alles. Es scannt, modifiziert und verwaltet Visitenkarten und exportiert Daten zu Outlook oder anderen gängigen E-Mail Programmen.

3.2. Die Scaneinstellungen

ScanSnap Einstellungen werden mit "ScanSnap Manager" geändert.

1. Rechtsklicken Sie das "ScanSnap Manager Symbol"  in der Taskleiste und wählen dann im folgenden Menü [Einstellungen ...].



⇒ Das „Scannen und Einstellungen speichern“ Fenster wird angezeigt.

2. Modifizieren Sie Scaneinstellungen im "Scannen und Einstellungen speichern" Fenster.



Sechs Registerkarten stehen zur Auswahl:

[Anwendung]

Wählen Sie die Anwendung zum Anzeigen/Bearbeiten der gescannten Bilder.

[Speichern unter]

Wahl des Ordners und Dateinamens zum Speichern des Bildes.

[Scanmodus]

Einstellung der Scanqualität.

[Dateiart]

Wahl des Dateityps (PDF, JPEG) des zu speichernden Bildes.

[Papiergröße]

Wählen Sie die Dokumentengröße des zu scannenden Dokumentes.

[Dateigröße]

Bestimmung der Komprimierungsrate der Datei.



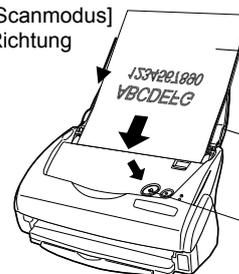
Das "ScanSnap Bedienungshandbuch" auf der "ScanSnap Setup CD-ROM" enthält weitere Informationen über die Einstellungen.

3. Klicken Sie auf [OK] um den Vorgang zu beenden.
⇒ Die neuen Einstellungen werden aktiviert.

3.3. Dokumente scannen

1. Wählen Sie "Adobe Acrobat" unter [Anwendung] in "Scannen und Einstellungen Speichern".
2. Legen Sie die Dokumente in den Scanner ein.

[Scanmodus]
Richtung



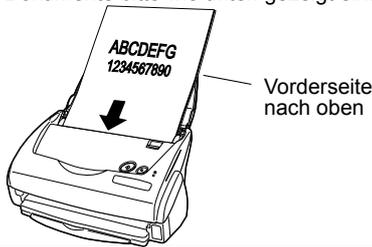
Legen Sie das Dokument mit der zu scannenden Seite nach unten in den ADF-Papierschacht ein.

Rückseite zeigt nach vorne.

[SCAN] Taste



Wenn Sie in **Schritt 3** von [2.1.2 Installation von ScanSnap Manager, ScanSnap Organizer, CardMinder und PDF Thumbnail View] **[Dokumente mit der zu scannenden Seite nach oben zeigend über den ADF scannen]** ausgewählt haben, legen Sie die Dokumente bitte wie unten gezeigt ein.



- Drücken Sie die [Scan] Taste.
⇒ Der Scanvorgang beginnt.
⇒ Nachdem der Scanvorgang abgeschlossen wurde, wird das gescannte Bild mit Adobe Acrobat angezeigt.



- Sie können gescannte Bilder auch mit anderen Anwendungen anzeigen.
- Wenn Sie die [SCAN] Taste drücken, werden Dokumente im „Duplex“ Modus gescannt. Um die Dokumente im „Simplex“ Modus zu scannen, ändern Sie bitte die Einstellungen im ScanSnap Manager . ScanSnap bietet mehrere Einstellungen für das Scannen.
- Das „ScanSnap Bedienungshandbuch“ auf der ScanSnap Setup CD-ROM“ enthält weitere Informationen über das Scannen von Dokumenten.

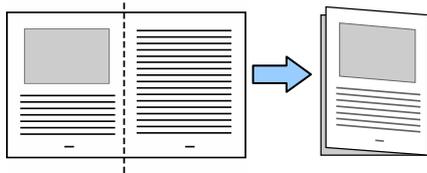
3.4. Mit dem Trägerblatt scannen

Wenn Sie das Trägerblatt verwenden, können Sie auch große Dokumente oder Dokumente mit Überlängen problemlos scannen (DIN A3, B4, 11 x 17 inch). Weiterhin wird auch das Scannen von gehefteten Blättern oder von Dokumenten mit unregelmäßigen Formen möglich. In diesem Handbuch wird das Scannen eines DIN A3 Dokumentes beschrieben.

Ein DIN A3 Dokument kann nicht direkt in den Scanner eingelegt werden. Falten Sie das Dokument und scannen dieses dann wie im Folgenden beschrieben ein.

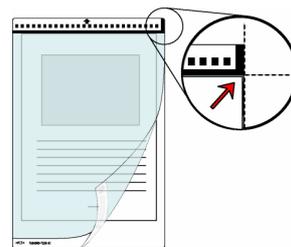
- Falten Sie das Dokument an der Mittelachse so, dass die zu scannenden Seiten nach außen zeigen.

Falten Sie das Dokument bitte so exakt wie möglich.



- Öffnen Sie das Trägerblatt und legen das Dokument ein.

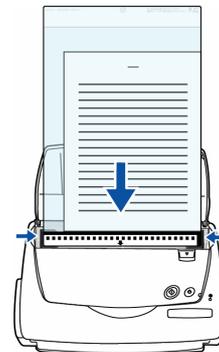
Passen Sie die Oberkante des Dokumentes an die Oberkante des Trägerblattes an. Die Faltkante liegt hierbei bündig an der Ecke oben-rechts an.



- Legen Sie das Trägerblatt in den Scanner ein.

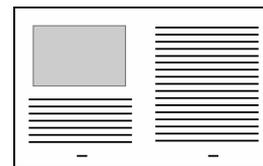
Legen Sie das Trägerblatt in Pfeilrichtung „kopfüber“ (schwarzweiße Muster nach unten) in den Scanner ein.

Wenn Sie zum Scannen das Trägerblatt verwenden, können Sie nicht mehrere Dokumente gleichzeitig oder fortlaufend einscannen. Scannen Sie jedes Dokument einzeln, eingelegt in das Trägerblatt ein.



- Drücken Sie die [SCAN] Taste.

⇒ Das Dokument wird gescannt und wie in der Abbildung gezeigt ausgegeben.



Die Einlegemethode und die ScanSnap Manager Einstellungen unterscheiden sich je nach zu scannendem Dokument. Siehe das **„ScanSnap Bedienungshandbuch“** auf der **„ScanSnap Setup CD-ROM“** für Details.

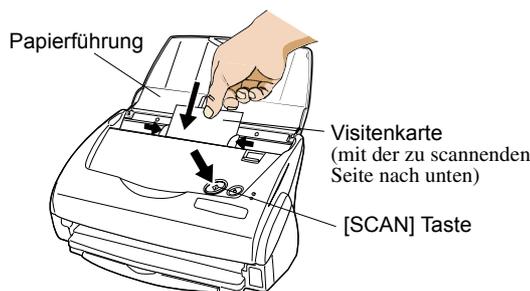
3.5. Visitenkarten scannen

- Wählen Sie „CardMinder“ unter [Anwendung] in „Scannen und Einstellungen speichern“.

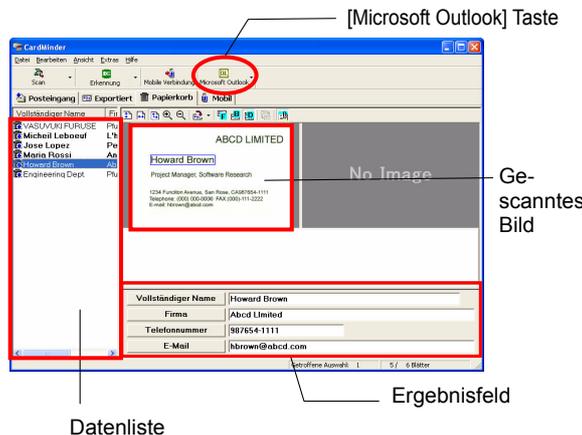


- Wenn „CardMinder“ ausgewählt wurde, werden nur die [Anwendung] und [Scanmodus] Registerkarten angezeigt.
- Das „ScanSnap Bedienungshandbuch“ auf der ScanSnap Setup ScanSnap“ enthält weitere Informationen bezüglich der Einstellungen.

- Legen Sie die Visitenkarten in den Scanner ein. Passen Sie die Papierführung an die Breite der Visitenkarte an.



- Drücken Sie die [Scan] Taste.
⇒ Der Scanvorgang beginnt.
⇒ Das “CardMinder” Fenster öffnet sich und die erkannten Zeichendaten, Name, Firma und Emailadresse erscheinen im Fenster.
- Das unten gezeigte Fenster erscheint. Wählen Sie eine Visitenkarte aus der Datenliste. Prüfen Sie die Daten im Ergebnisfeld des Fensters und korrigieren falls erforderlich vorhandene Fehler.



- Für Outlook, bestätigen Sie die Daten der Visitenkarte und wählen dann die entsprechenden Karten für den Export nach Outlook. Klicken Sie auf [Microsoft Outlook] in der Symbolleiste. Die Daten werden exportiert und in Outlook geladen.



Sie können Daten (im Ergebnisfeld) an folgende Anwendungen schicken:

- Microsoft® Outlook®
- Outlook Express
- ACT!™
- GoldMine®

Die Daten können auch in CSV-Format gespeichert werden, um Sie in Anwendungen, wie etwa Excel zu importieren. Informieren Sie sich im “CardMinder Benutzerhandbuch”.

- Starten Sie Outlook, um die importierten Daten der Visitenkarten zu bestätigen.
- Wollen Sie “CardMinder” schließen, wählen Sie [Beenden] im [Datei] Menü.



“CardMinder” bietet ebenso noch viele andere nützliche Funktionen. Das “CardMinder Benutzerhandbuch” der “Scan Snap Setup CD-ROM” enthält weitere Informationen.

3.6. Über PDF Thumbnail View

“PDF Thumbnail View” ermöglicht das Betrachten von PDF-Miniaturansichten mit dem Windows Explorer. Das Programm wird zusammen mit dem ScanSnap Treiber installiert, ist aber in der Grundeinstellung deaktiviert. (*Dieses Programm kann nur installiert werden, wenn Sie Windows 2000 oder Windows XP verwenden.)

PDF Thumbnail View aktivieren

- Wählen Sie im [Start] Menü [Programme] – [ScanSnap- Treiber] – [PDF Thumbnail View] – [Konfigurations-Tool].
- Klicken Sie im Fenster “PDF Thumbnail View Funktionseinstell...” auf “Aktivieren” und dann auf [OK].
⇒ Man kann die Miniaturansichten der PDF-Dateien mit dem Windows Explorer betrachten (wie Bitmaps oder JPEGs.)



Das „ScanSnap Benutzerhandbuch“ der „Scan Snap Setup CD-ROM“ enthält weitere Details.

3.7. ScanSnap Organizer

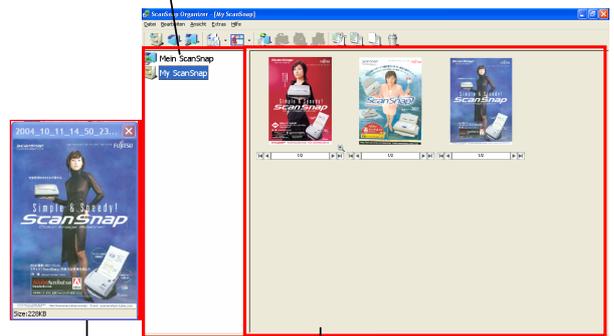
ScanSnap Organizer ist eine Anwendung zur Verwaltung der Miniaturansichten von Bilddateien (PDF oder JPEG). Über ScanSnap gescannte Bilder können so angezeigt werden, ohne dass diese Dateien geöffnet werden müssen. Sie können ebenso Ordner erstellen und Dateien so für verschiedene Zwecke verwalten.

Wenn Dateien aus mehreren Seiten bestehen, können dies mit Hilfe der Miniaturansicht „durchgeblättert“ werden.

Wählen Sie aus dem [Start] Menü [Alle Programme] – [ScanSnap Organizer] – [ScanSnap Organizer]. Folgender Bildschirm erscheint.

Ordneransicht

In ScanSnap Organizer ausgewählte Ordner werden angezeigt.



Dateiansicht

Ausgewählte PDF- oder JPEG-Dateien werden als Miniaturansicht angezeigt.

Pop-up Miniaturansichtsfenster

Die ausgewählte Seite wird als Pop-up angezeigt.

Miniaturansicht

Zeigt die Miniaturansicht einer Datei an.



Seitenzahl
(Aktuelle Seite/Gesamtseitenanzahl).

“Vergrößern/Verkleinern”
...des Pop-ups.

Weiterblättern Taste
Zum Weiterblättern (sollte das Dokument aus mehreren Seiten bestehen.)



Siehe das “ScanSnap Bedienungshandbuch” auf der “ScanSnap Setup CD-ROM” für Details.

4. Problembehebungen

Dieses Kapitel bietet Lösungshilfen von Problemem, die beim Arbeiten mit ScanSnap auftreten können.

4.1. Liste der möglichen Probleme

Versuchen Sie bitte Probleme mit Hilfe der hier gesammelten Vorschläge zu lösen bevor Sie den Kundenservice in Anspruch nehmen.

Sollte dies nicht möglich sein, wenden Sie sich bitte an Ihren Verkäufer oder einen autorisierten FUJITSU Scanner Servicepartner.

| Symptom | Prüfen Sie | Abhilfe |
|--|--|---|
| Der Scanner kann nicht eingeschalten werden. | Ist das Netz/USB-Kabel und Netzteil korrekt angeschlossen? | Schließen Sie das Netz/USB-Kabel korrekt an. Entfernen Sie das Netzkabel und das Netzteil und schließen Sie beide erneut an. (Hinweis: Warten Sie bitte mindestens 5 Sekunden bis zum Wiederanschluss des Netzkabels.) |
| | Ist die Papierschacht-Abdeckung geschlossen? (Die Stromversorgung des Scanners wird durch das Öffnen und Schließen der Papierschacht-Abdeckung kontrolliert) | Öffnen Sie die Papierschachtabdeckung. |
| | Ist Windows korrekt gestartet? (Die Stromversorgung des Scanners wird durch das Ein- und Ausschalten des PCs kontrolliert) | Sorgen Sie für einen normalen und vollständigen Start von Windows. Die  LED-Anzeige kann erlöschen, wenn Windows hochgefahren wird oder sich der Scanner im Energiesparmodus befindet. |
| | Haben Sie zum Ausschalten die [POWER] Taste auf dem Scanner gedrückt? (Der Scanner kann mit der [POWER] Taste ausgeschaltet werden wenn die Papierschacht-Abdeckung geöffnet ist. | Drücken Sie die [POWER] Taste auf dem Scanner. |
| Der Scanvorgang startet nicht. | Ist das USB-Kabel korrekt angeschlossen? | Schließen Sie das USB-Kabel korrekt an. (Wenn ein USB Hub benutzt wird, prüfen Sie gegebenenfalls die Netzversorgung des Hubs.) |
| | Blinkt die LED Betriebsanzeige  wiederholt auf? | Entfernen Sie das Netzkabel und das Netzteil und schließen Sie beide erneut an. (Hinweis: Warten Sie bitte mindestens 5 Sekunden bis zum Wiederanschluss des Netzkabels.) |
| | Ist der ScanSnap Manager aktiviert? (Bei aktiviertem ScanSnap Manager erscheint das "ScanSnap Manager" Symbol  in der Arbeitsleiste) | Wird das "ScanSnap Manager" Symbol nicht angezeigt, starten Sie ScanSnap Manager im [Start] Menü mit [Programme] - [ScanSnap Treiber] - [ScanSnap Manager]. |

| Symptom | Prüfen Sie | Abhilfe |
|--|---|--|
| Der Scanvorgang startet nicht. | Arbeitet ScanSnap Manager normal? (Bei nicht korrekt funktionierendem ScanSnap Manager erscheint das „ScanSnap Manager“ Symbol in der Arbeitsleiste als  .) | Führen Sie bitte folgendes aus: <ol style="list-style-type: none"> 1. Führen Sie „Scan für Hardware Änderungen“ oder „Aktualisieren“ vom Geräte-Manager aus. (*1) Wird das Problem damit nicht behoben, führen Sie bitte Schritt 2. aus. 2. Entfernen Sie das Netzkabel und das Netzteil und schließen diese dann wieder an (Warten Sie bitte mindestens 5 Sekunden vor dem erneuten Einschalten). Wird das Problem damit nicht behoben, führen Sie bitte Schritt 3. aus. 3. Wenn Sie einen USB-Hub verwenden, schließen Sie bitte ScanSnap direkt an Ihren PC an. Wird das Problem damit nicht behoben, führen Sie bitte Schritt 4. aus. 4. Ist Ihr PC mit mehreren USB/Anschl[üssen ausgestattet, schließen Sie ScanSnap bitte an einen anderen Anschluss an. Wird das Problem damit nicht behoben, führen Sie bitte Schritt 5. aus. 5. Starten Sie bitte Ihren PC erneut. <p>Hilft keiner der oben angegebenen Schritte das Problem zu beheben, deinstallieren Sie bitte ScanSnap Manager und installieren diesen dann erneut (*2).</p> |
| | Wird der „Scannen und Einstellungen speichern“ Bildschirm noch angezeigt? | Schließen Sie den „Scannen und Einstellungen speichern“ Bildschirm und scannen Sie das Dokument. |
| Auf dem gescannten Bild erscheinen vertikale Linien. | Ist die Innenseite des Papiereinzugs verschmutzt? | Reinigen Sie den Innenraum des ADFs. Siehe „5. Tägliche Pflege“. |
| Das erstellte Bild erscheint schief oder verzerrt. | Wurde das Dokument korrekt eingelegt? | Legen Sie das Dokument korrekt ein. |
| Das Bild wird zu hell oder zu dunkel wiedergegeben. | Ist beim Schwarzweiß Scannen die [Option...] – „Helligkeit“ in [Scanmodus] sehr hell oder dunkel gesetzt? | Regeln Sie die „Helligkeit“ mit [Scanmodus] – [Option...] im „Scannen und Einstellungen speichern“ Fenster. |
| Linien auf dem Dokument werden verzerrt wiedergegeben (Bsp.: Umrandungen einer Tabelle sind unkenntlich) | Haben Sie ein Document mit Tabellen, Linien und Text (gedruckt sowie handschriftlich) im Farbmodus gescannt? | Der Farb-Modus wird zum qualitativ hochwertigen Scannen von farbigen Bildern, wie Photos, verwendet. Für andere Dokumente, die überwiegend aus Text bestehen, aktivieren Sie bitte das Kontrollkästchen [Einstellung für Textdokumente] in [Scannen] – [Option] im „Scannen und Einstellungen speichern“ Fenster. |

| Symptom | Prüfen Sie | Abhilfe |
|---|---|--|
| Die Scangeschwindigkeit ist sehr langsam. | Erfüllt Ihr PC die nötigen Systemvoraussetzungen? | Bestätigen Sie die Systemvoraussetzungen in "Vor der Installation von ScanSnap" im Kapitel 2 des "fi-5110EOX2 Bedienungshandbuches". Die Scangeschwindigkeit kann langsamer ausfallen, wenn die empfohlenen Systembedingungen des Rechners und Speichers nicht erfüllt werden. Sollte dies der Fall sein, öffnen Sie bitte [Option] unter [Scanmodus] in [Scannen und Einstellungen speichern] Fenster und entfernen dann die Markierungen der folgenden Funktionen, um die Scangeschwindigkeit zu erhöhen. - Die Ausrichtung des Dokumentes wird automatisch korrigiert - Automatische Bilddrehung zulassen |
| | Ist der ScanSnap Scanner über eine USB 1.1 Schnittstelle an Ihren PC angeschlossen? Wenn Sie diese Schnittstelle benutzen, kann es vorkommen dass die Datenübertragungsrate sehr niedrig ausfällt wenn der Scanner große Datenmengen an den PC überträgt. | Wenn Ihr PC mit einer USB 2.0 Schnittstelle ausgestattet ist, schließen Sie bitte den Scanner über diese Schnittstelle an. (Wenn Sie einen USB-Hub verwenden, muss dieser ebenso USB 2.0 unterstützen.) (*3) |
| Mehrfacheinzüge (*4) kommen vermehrt vor. | Ist die Papierseparations-Einheit verschmutzt? | Reinigen Sie die Papierseparations-Einheit entsprechend den Hinweisen in „ 5.3. Reinigen des Scannerinneren “. |
| | Ist die Papierseparations-Einheit abgenutzt? | Ersetzen Sie die Papierseparations-Einheit. Siehe den Abschnitt „ 6.2. Austausch der Papierseparations-Einheit “. |
| | Ist der Dokumentenstapel dicker als 5 mm? | Reduzieren Sie die Anzahl der Blätter auf eine Dicke von höchstens 5 mm. |
| Das Papier wird nicht eingezogen (stoppt auf halben Weg). | Ist die Einzugsrolle verschmutzt? | Reinigen Sie die Einzugsrolle entsprechend den Hinweisen in „ 5.3. Reinigen des Scannerinneren “. |
| | Ist die Einzugsrolle abgenutzt? | Ersetzen Sie die Einzugsrolle entsprechend den Hinweisen in „ 6.3. Austausch der Einzugsrolle “. |
| | Befinden sich im Dokumenteneinzug Verschmutzungen? | Entfernen Sie die Verschmutzungen im Dokumenteneinzug. |
| | Entsprechen die Dokumente den im Bedienungshandbuch (Kapitel 3.2) beschriebenen Spezifikationen? Falls dies nicht, können solche Dokumente nicht problemfrei in den ADF eingezogen werden. | Versuchen Sie folgendes: • Drücken Sie das Dokument vorsichtig mit Ihrem Finger zu Beginn des Scanvorganges in den ADF. • Drehen Sie das Dokument und versuchen es erneut zu scannen. |

| Symptom | Prüfen Sie | Abhilfe |
|---|--|---|
| Der Scanner wird nicht erkannt, auch nachdem der ScanSnap Treiber installiert wurde. | Haben Sie die Scanner an Ihren PC angeschlossen bevor Sie den ScanSnap Manager installiert haben? Ist der Scanner als "Andere Geräte" im "Geräte-Manager" installiert? | Wählen Sie im [Start] Menü [Systemsteuerung] - [System] - [Hardware] – [Gerätemanager]. Löschen Sie den Gerätenamen (wie z.B. vom USB-Gerät, jedoch je nach Betriebssystem unterschiedlich) unter "Andere Geräte" in [Gerätemanager] und starten dann Ihren PC neu. |
| Die Größe der gescannten Bilddatei entspricht der eines Farbdokumentes auch bei einem Schwarz & Weiß (S&W) Dokument. | Wird das S&W Dokument im Farbmodus gescannt? | Setzen Sie den [Farbmodus:] in [Scanmodus] des "Scannen und Einstellungen speichern" Bildschirm auf "Schwarzweiß". |
| Beim Scannen eines doppelseitigen Dokumentes scheint die Rückseite durch (Störung des Rückseitenbildes). | Ist das Kontrollkästchen "Einstellung nur für Textdokumente." unter [Option...] in [Scanmodus] des "Scannen und Einstellung speichern" Bildschirm deaktiviert (keine Markierung)? | Markieren Sie das Kontrollkästchen "Einstellung nur für Textdokumente." (Nur im Farb-Modus verfügbar). Dies Funktion hat den Effekt, dass Buchstaben, Zeichen, Linien und Kontraste auf dem Dokument schärfer und klarer hervorgehoben werden. Dadurch werden auch eventuelle Störungen des Rückseitenbildes beseitigt. Bitte beachten Sie, dass Sie diese Funktion auch für Dokumente anwenden können, die Photos und Bilder enthalten. Allerdings werden deren Schattierungen und Kontraste durch diese Funktion beeinflusst. |
| Gescannte Bilder werden nicht im Bildschirm angezeigt (wenn "Automatisches Löschen leerer Seiten zulassen" aktiviert ist). | Wenn "Automatisches Löschen leerer Seiten" aktiviert ist, kann es vorkommen das Dokumente, die nur wenige Zeichen enthalten irrtümlich als "leer" erkannt und von der Ausgabe entfernt werden. | Rechtsklicken Sie das "ScanSnap Manager" Symbol in der Arbeitsleiste, dann wählen Sie [Einstellungen...] – [Scanmodus] Registerkarte und klicken auf die [Option...] Taste. Entfernen Sie dann die Markierung des "Automatisches Löschen leerer Seiten zulassen" Kontrollkästchens. |
| Die gescannten Bilder sind schräg und verzerrt (wenn "Die Ausrichtung des Dokumentes wird automatisch korrigiert" aktiviert ist). | Wurden die Dokumente mit einem Fehlwinkel größer als 5 Grad in den ADF eingezogen? | Die Funktion "Die Ausrichtung des Dokumentes wird automatisch korrigiert" kann einen Fehlwinkelleinzug von +5 Grad korrigieren. Legen Sie die Dokumente daher so in den ADF ein, dass ein Fehlwinkelleinzug dieses Limit nicht überschreitet. Wird das Problem damit nicht behoben, entfernen Sie bitte die Markierung vom Kontrollkästchen "Die Ausrichtung des Dokumentes wird automatisch korrigiert" in [Option] der [Scanmodus] Registerkarte von [Scannen und Einstellungen speichern]. |
| | Je nach Inhalt des Dokumentes, kann die automatische Ausrichtungskorrektur (Fehleinzugskorrektur) nicht korrekt ausgeführt werden. | Siehe Kapitel 3.4 im Bedienungshandbuch. |
| Die Ausrichtung des gescannten Bildes wird nicht korrekt angezeigt (wenn "Automatische Bilddrehung zulassen" aktiviert ist). | Je nach Inhalt des Dokumentes, kann die automatische Bilddrehung nicht korrekt ausgeführt werden. | Siehe Kapitel 3.4 im Bedienungshandbuch. |

*1) Für Windows XP, rechtsklicken Sie im "Geräte-Manager" auf den Computer Namen und führen "Scan für Hardware Änderungen" aus.

*2) Überprüfen Sie ob Ihr PC und ScanSnap eingeschalten und korrekt angeschlossen sind.

- Überprüfen Sie im Gerätemanager, ob ScanSnap als "unbekanntes Gerät" geführt wird. Ist dies der Fall, löschen Sie es bitte über [Systemsteuerung]-[System].
- Schließen Sie ScanSnap Manager.
- In der [Systemsteuerung] - wählen Sie bitte [Hinzufügen oder entfernen von Programmen] und deinstallieren dann ScanSnap Manager und ScanSnap Organizer. Siehe 4.1 "Deinstallation der beigefügten Programme" im Bedienungshandbuch.
- Bevor Sie den Neustart des PCs nach der Deinstallation ausführen, entfernen Sie bitte folgende Ordner.



Geben Sie beim Löschen dieser Ordner und Dateien besonders Acht, nicht versehentlich andere Ordner oder Dateien zu entfernen, da sich dies auf Ihr System auswirken kann.

Für Windows 2000, Windows XP:

Löschen Sie den Ordner **ScanSnap** unter: c:/Documents and Settings/<User name>/Application Data/PFU/

Löschen Sie den Ordner **Driver** unter: c:/Program Files/PFU/ScanSnap/

Für Windows 98, ME:

Löschen Sie den Ordner **Driver** unter: c:/Program Files/PFU/ScanSnap/

Nachdem Sie die oben angegebenen Ordner entfernt haben, überprüfen Sie bitte, ob die Dateien

- fi5110e.INT

- fi5110e.PNF

Im Ordner C:/Windows/Inf gelöscht wurden. Sind diese beiden Dateien noch vorhanden, entfernen Sie diese bitte.



Bitte beachten Sie, dass der Ordner C:/Windows/Inf unter Umständen nicht angezeigt wird. Um daher die Existenz der oben angegebenen Dateien überprüfen zu können, wählen Sie bitte aus der Menüleiste des [Explorer] - [Extras]-[Ordneroptionen...] und wählen dann die [Ansicht] Registerkarte. Überprüfen Sie bitte, ob das Kontrollkästchen von [Alle Dateien und Ordner anzeigen] unter [Versteckte Dateien und Ordner] markiert ist. Ist dies nicht der Fall, markieren Sie bitte diese Kontrollkästchen und übernehmen die Einstellung. Somit wird der versteckte C:/Windows/Inf Ordner sichtbar und Sie können die **fi5110e.INT** und **fi5110e.PNF** Datei entfernen, sollten diese noch vorhanden sein.

- Nach dem Entfernen der oben angegebenen Ordner (Dateien), starten Sie bitte Ihren Computer erneut, ohne dass ScanSnap angeschlossen ist.

- Installieren Sie ScanSnap Manager und starten diesen dann erneut.

*3) Um zu überprüfen ob der Scanner über eine USB1.1 oder USB2.0 Schnittstelle angeschlossen ist, rechtsklicken Sie auf das ScanSnap Symbol in der Arbeitsleiste und wählen [Hilfe] - [Über ScanSnap Manager], dann klicken Sie auf die [Details] Taste im [Versionsinformationen] Fenster. [USB Typ] wird unter [Scannerinformationen] angezeigt.

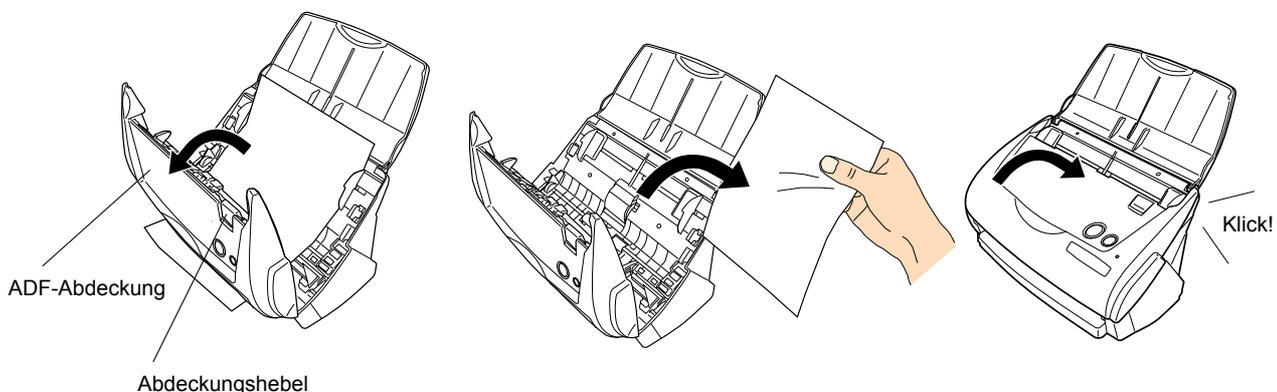
*4) Mit "Mehrfacheinzug" wird das fehlerhafte, gleichzeitige Einziehen von zwei oder mehreren Blätter in den Scanner bezeichnet.

* Besuchen Sie unsere Website für weitere Referenzen und Details. Weitere nützliche Information finden Sie unter der FAQ Rubrik der folgenden URL:

<http://scansnap.fujitsu.com>

4.2. Beheben eines Papierstaus

1. Öffnen Sie den ADF indem Sie den Abdeckungshebel nach oben ziehen.
2. Entfernen Sie das eingeklemmte Dokument.
3. Schließen Sie die ADF-Abdeckung.



⇒ Sie können normalerweise hören, wie der ADF in seine Position einklickt.

5. Tägliche Pflege

Dieses Kapitel behandelt die Reinigung von ScanSnap.



Brand/Elektrischer Schlag

Bevor Sie den Scanner reinigen, entfernen Sie bitte den Netzstecker, um den Scanner auszuschalten.

5.1. Reinigungsmaterialien

| Reinigungsmaterialien | Teile-Nr. | Bemerkungen |
|-----------------------|--------------|---|
| Reiniger F1 | CA99501-0013 | 1 Flasche (100 ml) Befeuchten Sie ein Tuch mit dieser Flüssigkeit und wischen damit den Scanner sauber. (*1) |

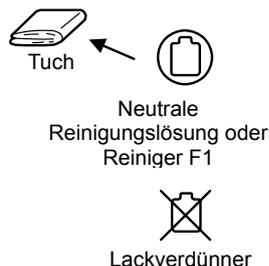
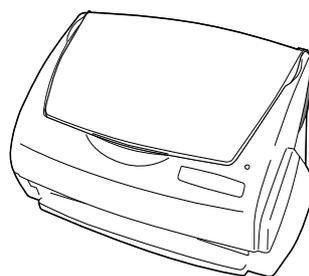
*1) Um Reinigungsmaterial zu erwerben, kontaktieren Sie bitte Ihren FUJITSU Scanner Fachhändler, bei dem Sie den Scanner erworben haben.

5.2. Reinigen des Scanneräußeren

Säubern Sie das Äußere des Scanners und den ADF-Papierinzug mit einem weichen, leicht mit neutraler Reinigungslösung oder dem Reiniger F1 (separat vertrieben) angefeuchtetem Tuch.



- Benutzen Sie niemals Verdüner oder andere organische Lösungsmittel.
- Geben Sie während der Reinigung acht, dass kein Wasser oder andere Flüssigkeiten in das Innere des Scanners gelangen.
- Benutzen Sie keine Reinigungssprays. Diese verursachen, dass Schmutz und Staub in das Innere des Scanners gelangen, was Fehlfunktionen und Bildstörungen verursachen kann.



5.3. Reinigen des Scannerinneren

Säubern Sie die folgenden Teile mit einem trockenen, mit dem Reiniger F1 befeuchtetem Tuch.

Als grobe Richtlinie, säubern Sie den ADF alle 1.000 Scansvorgänge. Diese Richtlinie hängt allerdings vom verwendeten Papiertyp ab. Säubern Sie daher den ADF öfter wenn Sie fotokopierte Dokumente scannen, bei denen der Toner nicht korrekt auf das Papier fixiert ist. Säubern Sie den ADF entsprechend den Hinweisen und

Abbildungen der folgenden Seite.



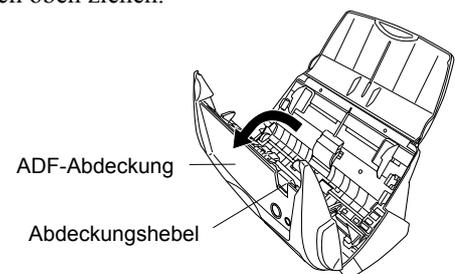
Die Glasoberfläche im ADF wird während des Betriebes heiss.

Bevor Sie das Innere des Scanners säubern, ziehen Sie den Netzstecker aus der Steckdose und lassen Sie den Scanner mindestens 15 Minuten abkühlen.

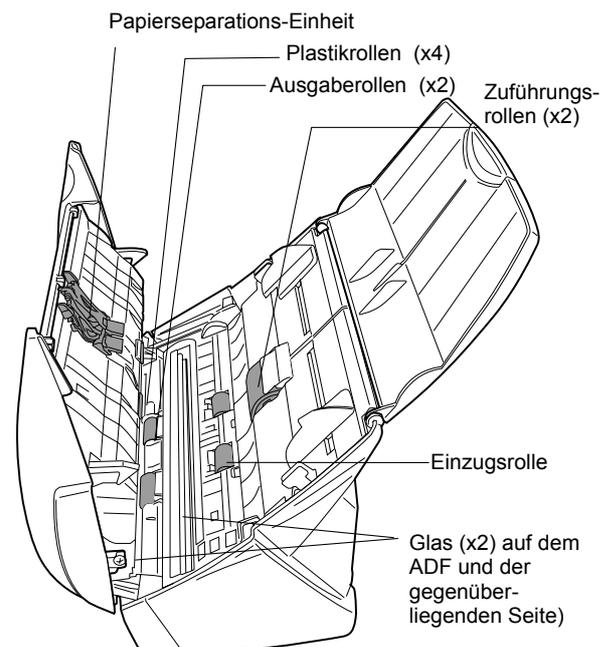


- Benutzen Sie niemals Wasser oder neutrale Lösungen um das Innere des Scanners zu reinigen.
- Benutzen Sie keine Reinigungssprays. Diese verursachen das Schmutz und Staub in das Innere des Scanners gelangen, wodurch Fehlfunktionen verursacht werden können.

1. Öffnen Sie den ADF indem Sie den Abdeckungshebel nach oben ziehen.



2. Säubern Sie die folgenden Teile mit einem trockenen, mit dem Reiniger F1 befeuchtetem Tuch.



Papierseparations-Einheit (x1)

Säubern Sie die Papierseparations-Einheit von oben nach unten. Vermeiden Sie, dass sich beim Reinigen der Papierseparations-Einheit das Tuch in der Einzugsfeder verfängt.

Glas (x2 auf der ADF-Abdeckung und der gegenüberliegenden Seite)

Reinigen Sie vorsichtig.

Einzugsrolle (x1)

Seien Sie beim Säubern vorsichtigen und zerkratzen Sie die Oberfläche der Rolle nicht. Reinigen Sie die Rolle gründlich, da sich schwarze Ablagerungen (Tonerpartikel) auf der Rollenoberfläche negativ auf die Einzugszuverlässigkeit auswirken.

Plastikrollen (x4 an der ADF-Abdeckung)

Reinigen Sie die Rollen leicht während Sie dies mit Ihren Fingern drehen. Seien Sie beim Säubern vorsichtig, rauhen Sie die Oberfläche der Rollen nicht auf. Reinigen Sie die Rolle gründlich, da sich schwarze Ablagerungen (Tonerpartikel) auf der Rollenoberfläche negativ auf die Einzugszuverlässigkeit auswirken.

Schalten Sie den Scanner vor der Reinigung der folgenden Bereiche ein. Reinigen Sie die folgenden Rollen, während Sie diese drehen.

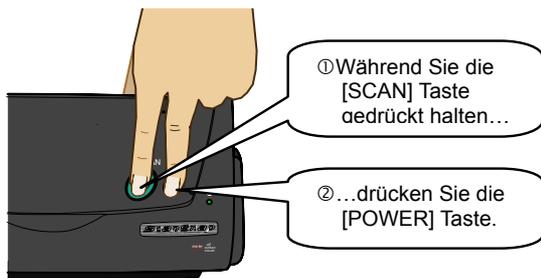
Zuführungsrollen (x2)

Seien Sie beim Säubern vorsichtig, beschädigen Sie nicht die Oberfläche der Rollen. Reinigen Sie die Rolle gründlich, da sich schwarze Ablagerungen (Tonerpartikel) auf der Rollenoberfläche negativ auf die Einzugszuverlässigkeit auswirken.

Ausgaberrollen (x2)

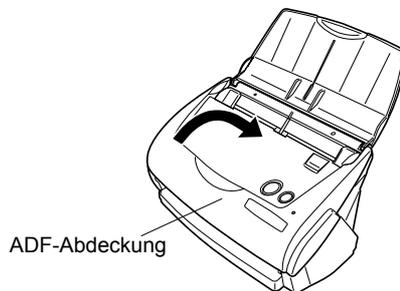
Seien Sie beim Säubern vorsichtig, beschädigen Sie nicht die Oberfläche der Rollen.
Reinigen Sie die Rolle gründlich, da sich schwarze Ablagerungen (Tonerpartikel) auf der Rollenoberfläche negativ auf die Einzugszuverlässigkeit auswirken.

Um die Zuführungs- und Ausgaberrollen zu drehen, drücken bitte Sie die [POWER] Taste, während Sie die [SCAN] Taste gedrückt halten. Als eine Richtlinie: wenn Sie die Tasten sechs mal drücken, führen die Rollen eine volle Drehung aus.



Schließen Sie das Netzteil und das Netzkabel nur zur Reinigung der Entladungsrollen an.

- Schließen Sie die ADF-Abdeckung.



Befindet sich der ADF in der ursprünglichen Position, überprüfen Sie ob dieser korrekt geschlossen ist. Ansonsten kann dies Papierstaus oder andere Einzugsfehler zur Folge haben.

5.4. Reinigen des Trägerblattes

Wenn Sie das Trägerblatt häufig verwenden, lagert sich Staub, Taonerpartikel und andere Verschmutzungen an der Innen- und Außenseite ab.

Reinigen Sie bitte daher das Trägerblatt regelmäßig um eine Beeinträchtigung der Scanqualität zu vermeiden.

<Reinigungsmethode>

Benutzen Sie ein trockenes Tuch, befeuchtet mit dem Reiniger F1 (ersatzweise auch ein anderer, milder Reiniger) um Verschmutzungen an der Außen- und Innenseite des Trägerblattes zu entfernen.



- Benutzen Sie niemals Lackverdünner oder andere organische Lösungen.
- Reinigen Sie bitte vorsichtig. Ein hartes Bürsten oder Ähnliches kann das Trägerblatt verkratzen oder verformen.
- Nach der Reinigung der Innenseite mit dem Reiniger F1, lassen Sie das Trägerblatt erst vollständig trocknen, bevor Sie dieses wieder zuklappen.
- Ersetzen Sie das Trägerblatt bitte als Richtlinie alle 500 Scans.
Siehe "6.4 Erwerben des Trägerblattes" für Details über den Erwerb des Trägerblattes.

6. Verbrauchsmaterialien/Trägerblatt

Dieses Kapitel beschreibt das Ersetzen und Erwerben von Verbrauchsmaterialien und des Trägerblattes.



Brand/Elektrischer Schlag

Bevor Sie Verbrauchsmaterial ersetzen, stecken Sie bitte das Netzkabel aus um den Scanner auszuschalten.

6.1. Teile-Nr und Ersetzungs-Zyklus der Verbrauchsmaterialien

Die folgende Tabelle listet die Teilenummern der Verbrauchsmaterialien auf und macht eine ungefähre Angabe über den Austausch dieser Teile.

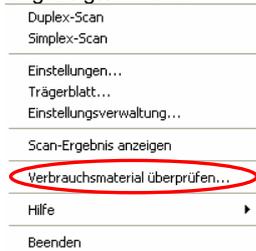
| Nr. | Beschreibung | Teile-Nr. | Ersetzungs-Zyklus |
|-----|--|--------------|-------------------------------|
| 1 | fi-5110EOX2 Papierseparations-Einheit | PA03360-0002 | 50.000 Blätter oder ein Jahr |
| 2 | fi-5110EOX2 Einzugsrolle | PA03360-0001 | 100.000 Blätter oder ein Jahr |

Die Angabe über den Austausch ist nur eine grobe Richtlinie für die angenommene Benutzung von DIN A4/Letter Papier ohne Holzanteile (64 g/m²). Der Zeitpunkt eines Austausches hängt vom gescannten Papier ab. Benutzen Sie nur die von PFU LIMITED spezifizierten Verbrauchsmaterialien.



Um zu bestimmen wann ein Austausch von Verbrauchsmaterialien nötig ist und um einen Überblick über die Anzahl der bereits gescannten Seiten zu gewinnen, siehe folgendes:

- Rechtsklicken Sie das "ScanSnap Manager" Symbol  in der Arbeitsleiste.
- Klicken Sie auf [Verbrauchsmaterial überprüfen...] im angezeigten Menü.



⇒ Der Bildschirm ("Status des Verbrauchsmaterials prüfen") zeigt die Anzahl der gescannten Blätter an.



Ersetzen Sie Verbrauchsmaterial mit "Zielwert bis Materialwechsel" als grobe Richtlinie.

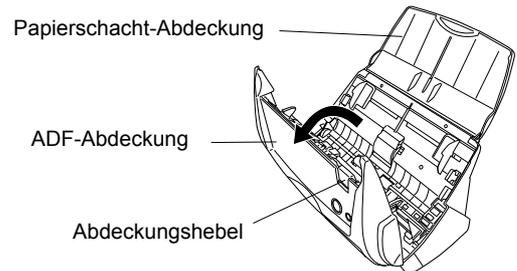
Für Details über Verbrauchsmaterialien und wo Sie diese erwerben können, besuchen Sie bitte folgende Website oder kontaktieren Sie den Fachhändler, bei dem Sie den Scanner erworben haben.

[Website] <http://image.scanner.fujitsu.com/scansnap/>

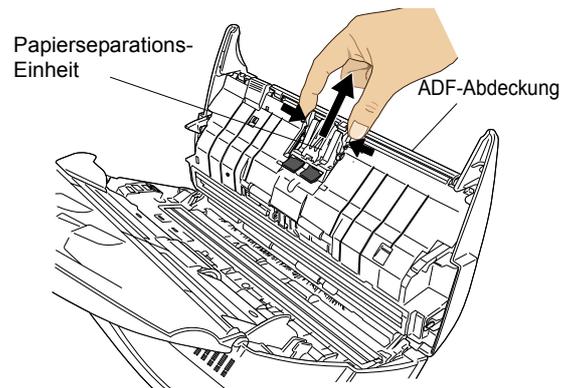
6.2. Austausch der Papierseparations-Einheit

Ersetzen Sie die Papierseparations-Einheit wie folgt:

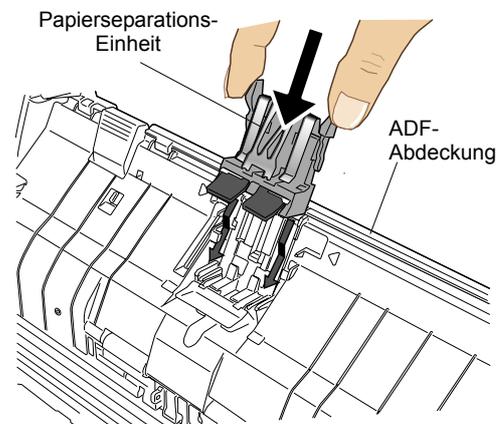
- Entfernen Sie alle Dokumente aus dem Dokumentenpfad und dem ADF-Papierschlacht.
- Öffnen Sie den ADF indem Sie den Abdeckungshebel nach oben ziehen.



- Ziehen Sie die Papierseparations-Einheit in Pfeilrichtung heraus, während Sie diese an beiden Enden festhalten.



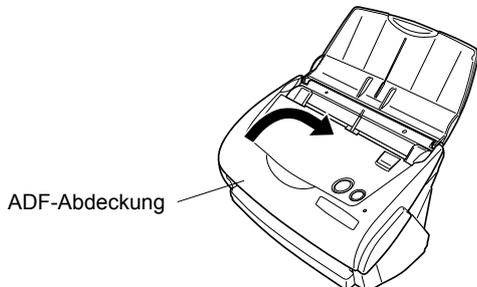
- Installieren Sie die neue Papierseparations-Einheit.





Versichern Sie sich, dass die Papierseparations-Einheit korrekt sitzt. Anderenfalls kann dies Papierstaus oder andere Einzugsfehler zur Folge haben.

5. Schließen Sie die ADF-Abdeckung.



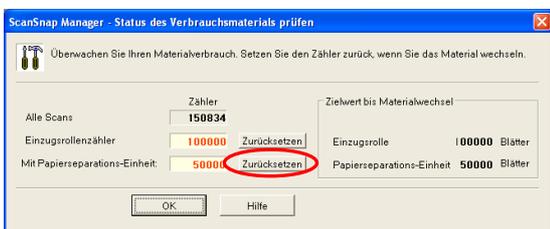
⇒ Sie können normalerweise hören, wie der ADF in seine Position einklickt.

6. Schalten Sie den Scanner ein.

⇒ Das ScanSnap Manager Symbol ändert sich von  zu .

7. Rechtsklicken Sie das "ScanSnap Manager" Symbol  in der Arbeitsleiste und wählen Sie [Verbrauchsmaterial überprüfen] aus dem Menü.

8. Klicken Sie im "Status des Verbrauchsmaterials prüfen" Fenster auf die [Zurücksetzen] Taste neben [...Papierseparations-Einheit].

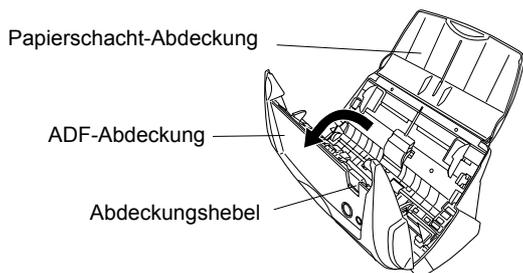


⇒ Der Zähler wird auf "0" zurückgesetzt.

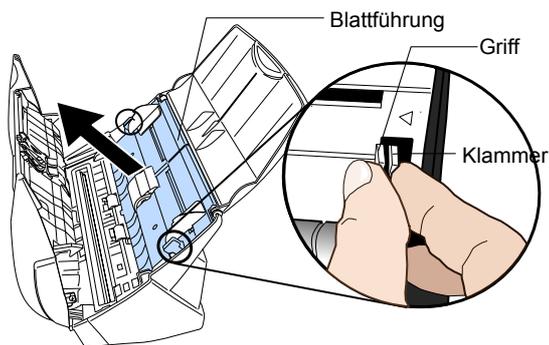
6.3. Austausch der Einzugsrolle

Ersetzen Sie die Einzugsrolle wie folgt:

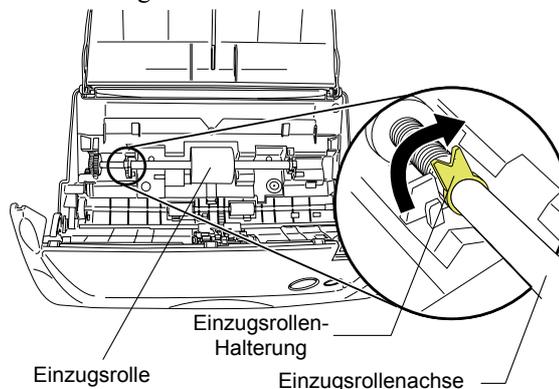
- Entnehmen Sie alle Dokumente aus dem ADF.
- Öffnen Sie den ADF indem Sie den Abdeckungshebel nach oben ziehen.



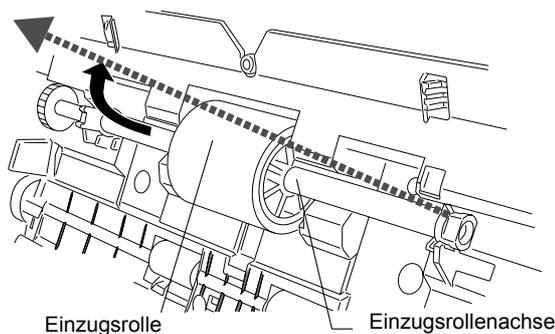
3. Entfernen Sie die Blattführung. Drücken Sie den Griff auf der Blattführung um diese zu entnehmen.



4. Drehen Sie die Einzugsrollen-Halterung (Links) in Pfeilrichtung.

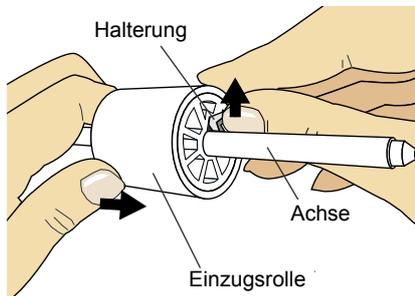


5. Entfernen Sie die Einzugsrolle mit der Achse während Sie diesen in Pfeilrichtung anheben.

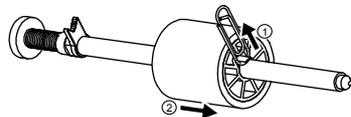


Wenn die Umgebung der Einzugsrolle mit Papierstaub verschmutzt ist, kann dies Scan-Fehler zur Folge haben. Säubern Sie die verschmutzten Bereiche mit einem trockenen Tuch, welches mit dem Reiniger F1 befeuchtet ist.
* Verwenden Sie kein Wasser, neutrale Lösungen oder Sprays.

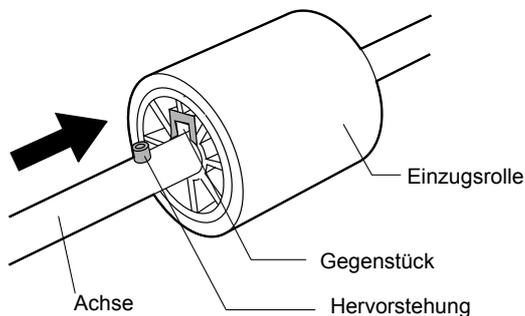
6. Entfernen Sie die Einzugsrolle von der Achse. Ziehen Sie die Rolle von der Achse während Sie die Halterung nach oben drücken.



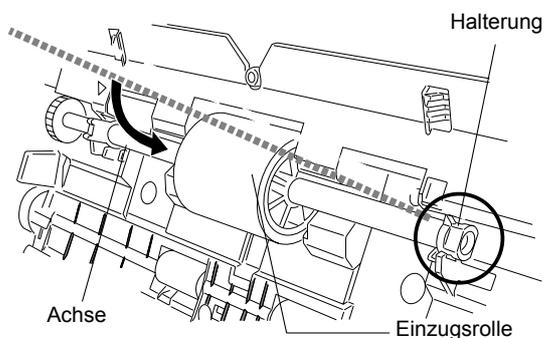
ACHTUNG Geben Sie Acht, nicht Ihren Fingernagel abzubrechen. Um dies zu vermeiden, können Sie auch wie in der Abbildung gezeigt eine Büroklammer zum Anheben der Halterung verwenden.



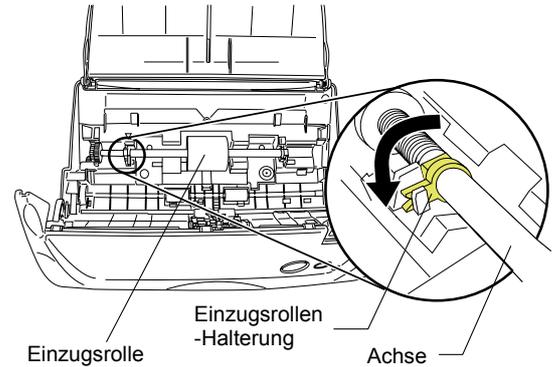
7. Stecken Sie die neue Einzugsrolle auf die Achse auf. Installieren Sie die neue aufgesteckte Einzugsrolle, indem Sie die Hervorstehung an dem entsprechenden Gegenstück der neuen Einzugsrolle ausrichten.



8. Installieren Sie die neue Einzugsrolle aufgesteckt auf der Achse, indem Sie die Achse in die entsprechende Halterung einsetzen.

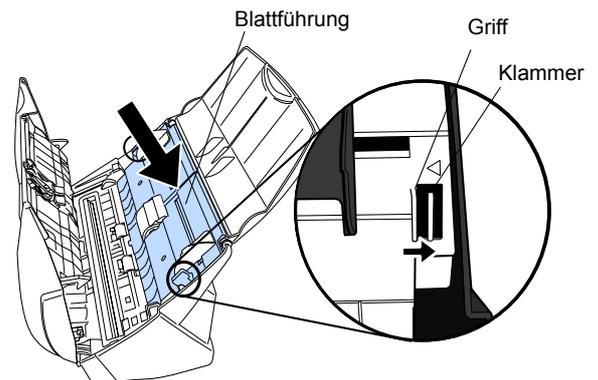


9. Fixieren Sie die Einzugsrollen-Halterung (links), indem Sie diese in Pfeilrichtung drehen.



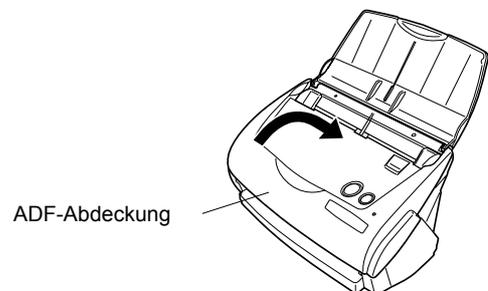
ACHTUNG Versichern Sie sich, dass die Einzugsrolle korrekt sitzt. Anderenfalls kann dies Papierstaus oder andere Einzugsfehler zur Folge haben.

10. Bringen Sie die Blattführung an den Scanner an. Setzen Sie die Blattführung in den Scanner ein, während Sie deren Griff fassen.



⇒ Sie können normalerweise hören, wie der ADF in seine Position einklickt.

11. Schließen Sie die ADF-Abdeckung.



⇒ Sie können normalerweise hören, wie der ADF in seine Position einklickt.

12. Schalten Sie den Scanner ein.

⇒ Das ScanSnap Manager Symbol ändert sich von  zu .

13. Rechtsklicken Sie das "ScanSnap Manager" Symbol  in der Arbeitsleiste und wählen dann [Verbrauchsmaterial überprüfen] aus dem Menü.

14. Im "Status des Verbrauchsmaterials prüfen" Fenster, klicken Sie die [Zurücksetzen] Taste des ersetzten Verbrauchsmaterials.



6.4. Erwerben des Trägerblattes

Wenn das mit dem Scanner gelieferte "Trägerblatt" nicht mehr für das Scannen verwendet werden kann (wegen Abnutzung oder Beschädigung), können Sie ein neues Trägerblatt separat erwerben.

Es wird empfohlen, dass Trägerblatt alle 500 Scans zu ersetzen.

Diese Richtlinie hängt aber vom Umgang mit dem Trägerblatt ab. Sollte das Trägerblatt verkratzt oder beschädigt sein, tauschen Sie dieses bitte entsprechend aus.

Die Beschreibung und Produktnummer des Trägerblattes (separat vertrieben) können Sie aus folgender Tabelle entnehmen:

| Beschreibung | Stück | P/N |
|---|------------|-------------|
| ScanSnap A3Trägerblatt  | 5 Blatt | FI-511ES-WW |

P3PC-1142-01AL

Scanner di Immagini a Colori

ScanSnap™

fi-5110EOX2

Avvio Rapido



Leggere questa guida prima di collegare lo scanner al computer.

FUJITSU

Contenuti

| | |
|---|-----------|
| Introduzione | 1 |
| 1. Preparazione | 5 |
| 1.1. Controllare i contenuti della confezione..... | 5 |
| 1.2. Nomi e funzioni delle parti..... | 5 |
| 2. Collegare ScanSnap | 6 |
| 2.1. Installare il Software fornito | 6 |
| 2.1.1. Installare Adobe Acrobat 6.0 | 6 |
| 2.1.2. Installare ScanSnap Manager, ScanSnap Organizer, CardMinder e PDF Thumbnail View | 7 |
| 2.2. Collegare lo scanner | 7 |
| 2.2.1. Collegare il cavo di alimentazione | 7 |
| 2.2.2. Collegare il cavo USB | 8 |
| 3. Come usare ScanSnap | 10 |
| 3.1. Scansione di documenti di ufficio | 10 |
| 3.2. Impostazioni di scansione | 10 |
| 3.3. Scansione di documenti di ufficio | 10 |
| 3.4. Scansione con il Trasporto Fogli..... | 11 |
| 3.5. Scansione dei biglietti da visita | 11 |
| 3.6. Riguardo PDF Thumbnail View | 12 |
| 3.7. ScanSnap Organizer | 12 |
| 4. Soluzione dei problemi | 13 |
| 4.1. Lista di controllo della Soluzione dei problemi..... | 13 |
| 4.2. Rimuovere inceppamenti della carta | 16 |
| 5. Manutenzione giornaliera | 17 |
| 5.1. Materiali per la Pulizia | 17 |
| 5.2. Pulire lo Scanner Esteriormente..... | 17 |
| 5.3. Pulire all'interno dello scanner | 17 |
| 5.4. Pulire il Trasporto Fogli | 18 |
| 6. Sostituire i materiali di consumo e alcune Parti regolari | 19 |
| 6.1. Numeri delle parti e Ciclo di sostituzione dei materiali di consumo | 19 |
| 6.2. Sostituire il separatore fogli | 19 |
| 6.3. Sostituire il rullo di pescaggio | 20 |
| 6.4. Acquistare il Trasporto Fogli..... | 22 |

Tutti i diritti riservati, diritti d'autore © PFU LIMITED 2005.

I contenuti di questo manuale sono soggetti a modifiche senza preavviso.

Nessuna parte di questo manuale può essere riprodotta, adattata o tradotta senza alcuna autorizzazione.

LEGGERE ATTENTAMENTE QUESTO MANUALE PRIMA DI USARE QUESTO PRODOTTO SE QUESTO PRODOTTO NON VIENE USATO CORRETTAMENTE, POTREBBERO ESSERE CAUSATE ALL'UTENTE O ALLE PERSONE ACCANTO LESIONI INASPETTATE.

Mentre tutti gli sforzi possibili sono stati fatti per assicurare l'accuratezza di tutte le informazioni di questo manuale, PFU LIMITED non si assume alcuna responsabilità verso alcuna parte per qualsiasi danno causato da errori o omissioni o da dichiarazioni di qualsiasi tipo in questo manuale, i suoi aggiornamenti o supplementi, sia che questi errori siano omissioni o dichiarazioni risultanti da negligenza, incidenti, o qualsiasi altra causa.

PFU LIMITED inoltre non assume alcuna responsabilità derivante dall'applicazione o l'uso di qualsiasi prodotto o sistema qui descritto; né alcuna responsabilità per danni incidentali o consequenziali derivanti dall'uso di questo manuale

PFU LIMITED non riconosce nessuna garanzia riguardo alle informazioni qui contenute, siano esse espresse, implicite o statutarie.

PFU LIMITED non si assume alcuna responsabilità per danni fortuiti o conseguenti in seguito all'uso di questo prodotto e per qualsiasi reclamo di terze parti.

Introduzione

Grazie per l'acquisto del prodotto ScanSnap fi-5110EOX 2 Scanner a Colori fronte retro.

ScanSnap fi-5110EOX2 viene fornito come uno Scanner a Colori per immagini ed applicazioni per l'ufficio. Si tratta di una completa Soluzione per Ufficio volta a migliorare la produttività e risolvere i problemi di scansione d'ufficio. ScanSnap presenta le seguenti caratteristiche.

- **Semplicemente premendo il tasto Scanner permette di convertire immagini su carta in file PDF !**

Potete modificare i documenti che si accumulano sul desktop in file PDF, gestirli e archivarli nel computer. Potete usare il software Adobe® Acrobat® fornito con lo scanner per visualizzare questi documenti PDF.

ScanSnap riconosce automaticamente il tipo di documento, a colori o in bianco e nero, in modo che file d'immagini scansionate sono resi più piccoli durante la scansione di documenti che contengono un misto di pagine a colori e in bianco e nero. Lo scanner può inoltre rimuovere automaticamente pagine bianche nei documenti per ridurre ulteriormente la dimensione dei file.

- **Scansione senza sforzo!**

Documenti a colori su due lati in formato A4 o Lettera possono essere scansionati ad una velocità di 15 fogli al minuto (alle seguenti condizioni: Intel® Pentium® 4 1.8GHz o più veloce, Windows® 98, Windows® Me, Windows® 2000 o Windows® XP, la modalità Scan: Normale, la modalità Colore: Auto, e il tasso di compressione è su 3).

- **Piccolo spazio sul desktop!**

Di dimensioni più piccole di un foglio formato A4 o Lettera, ScanSnap può essere lasciato sempre sul tavolo.

- **Biglietti da visita archiviati facilmente!**

Biglietti da visita possono essere archiviati e ricercati facilmente usando la funzione OCR con il software "CardMinder per ScanSnap" applicazione fornita con lo scanner.

(*Lo scanner ScanSnap fi-5110EOX NON aderisce allo standard TWAIN o ISIS.)

Produttore

PFU LIMITED

International Sales Dept., Image Business Division,
Products Group

Solid Square East Tower, 580 Horikawa-cho, Saiwai-ku,
Kawasaki-shi Kanagawa 212-8563, Japan

Phone: +81 (44) 540-4538

Marchi

Microsoft e Windows sono marchi registrati di Microsoft Corporation negli Stati Uniti e/o in altri paesi.

Adobe, il logo Adobe, e Acrobat sono marchi registrati di Adobe Systems Incorporated negli Stati

Uniti e/o altri paesi.

ScanSnap, il logo ScanSnap, e CardMinder sono i marchi di PFU LIMITED.

Altri nomi di prodotti sono marchi o marchi registrati delle rispettive compagnie.

Come sono indicati i marchi e i prodotti dei nomi in questa guida.

ScanSnap: ScanSnap fi-5110EOX2

CardMinder: CardMinderTM 2.0

Referenze a sistemi operativi (OS) sono indicati come seguono:

Windows 98: Sistema operativo Microsoft® Windows® 98

Windows Me: Sistema operativo Microsoft® Windows® Millennium Edition

Windows 2000: Sistema operativo Microsoft® Windows® 2000 Professional

Windows XP: Microsoft® Windows® XP Professional operating system,
Microsoft® Windows® XP Home Edition operating system.

Dove non ci sia distinzione tra le differenti versioni del sistema operativo citate sopra, è usato il termine generale "Windows"

Adobe Acrobat 6.0: Adobe® Acrobat® 6.0 Standard

Dove non ci sia distinzione tra le differenti versioni delle applicazioni citate sopra, è usato il termine generale "Adobe Acrobat"

■ ScanSnap e i Manuali

ScanSnap fi-5110EOX consiste di:

- 1) Scanner d'Immagini a Colori
- 2) Il Trasporto Fogli: Un documento è inserito nel trasporto fogli usato per la scansione. Si possono scansionare documenti grandi di misura come A3/B4 e 11 x 17, documenti di forma irregolare come anche ritagli di articoli.
- 3) ScanSnap Manager: software driver di ScanSnap per la scansione e per salvare i documenti.
- 4) CardMinder: software con motore OCR per catturare e gestire dati di biglietti da visita da esportare a software di gestione informazioni personali come Microsoft® Outlook®.
- 5) Adobe® Acrobat®: standard software per generare e manipolare documenti elettronici in formato PDF.

Questi manuali sono stati preparati per voi:

ScanSnap fi-5110EOX2 Avvio Rapido

(Questo manuale):

provvede di informazioni di base per installare e usare la risoluzione dello ScanSnap.

Guida dell'operatore ScanSnap fi-5110EOX2

(Manuale PDF incluso in ScanSnap Setup CD-ROM):
Fornisce informazioni dettagliate riguardo all'installazione del software e dell'hardware di ScanSnap, le operazioni dell'hardware dello scanner e del monitor di ScanSnap.

Guida dell'operatore di CardMinder

(Manuale PDF incluso in ScanSnap Setup CD-ROM):
provvede dettagliate informazioni sull'uso di CardMinder.

ScanSnap Organizer Guida dell'operatore

(Nel Setup CD-ROM è inclusa la Guida in formato PDF):
fornisce informazioni dettagliate su come usare ScanSnap.

Per informazioni sull'uso d'Adobe Acrobat, fare riferimento a "Adobe Acrobat Help".

■ Informazioni sulle normative

Dichiarazione FCC

This equipment has been tested and found to comply with the limits for a Class B digital device, pursuant to Part 15 of the FCC Rules. These limits are designed to provide reasonable protection against harmful interference in a residential installation. This equipment generates, uses, and can radiate radio frequency energy and, if not installed and used in accordance with the instruction manual, may cause harmful interference to radio communications. However, there is no guarantee that interference will not occur in a particular installation. If this equipment does cause harmful interference to radio or television reception, which can be determined by turning the equipment off and on, the user is encouraged to try to correct the interference by one or more of the following measures:

- Reorient or relocate the receiving antenna.
- Increase separation between equipment and receiver.
- Connect equipment to an outlet on a circuit different from that to which the receiver is located.
- Consult your dealer or an experienced radio/TV technician.



Cambiamenti o modifiche non espressamente approvati dalla parte responsabile della conformità possono invalidare l'autorità dell'utente di operare l'apparecchio.



L'uso di un cavo di interfaccia USB e del cavo alimentazione fornito con questo prodotto è richiesto per la conformità ai limiti di classe B della Parte 15 delle regole FCC

Regole DOC Canadesi

This digital apparatus does not exceed the Class B limit for radio noise emissions from digital apparatus set out in the Radio Interference Regulations of the Canadian Department of Communications.

This Class B digital apparatus complies with Canadian ICES-003.

Le présent appareil numérique n'émet pas de bruits radioélectriques dépassant les limites applicables aux appareils numériques de la classe B prescrites dans le Règlement sur le brouillage radioélectrique dicté par le ministère des Communications du Canada.

Cet appareil numérique de la classe B est conforme à la norme NMB-003 du Canada.

Bescheinigung des Herstellers / Importeurs

Für den fi-5110EOX2 wird folgendes bescheinigt:

- In Übereinstimmung mit den Bestimmungen der EN45014(CE) funkentstört.
- Maschinenlärminformationsverordnung 3. GPSGV, 06.01.2004: Der höchste Schalldruckpegel beträgt 70 dB (A) oder weniger, gemäß EN ISO 7779.

Programma Internazionale ENERGY STAR®

Come partner d'ENERGY STAR®, PFU LIMITED

conferma che questo prodotto è conforme alle linee direttive di



ENERGY STAR® sull'efficienza energetica

Il Programma International ENERGY STAR® sulle apparecchiature per ufficio è un programma internazionale che promuove il risparmio energetico attraverso la diffusione di computer energeticamente efficienti e altre apparecchiature da ufficio. Il programma supporta lo sviluppo e la disseminazione di prodotti con funzioni che riducono effettivamente i consumi d'energia. E' un sistema aperto in cui i proprietari d'impresе possono partecipare volontariamente. I prodotti in oggetto sono apparecchiature per ufficio come computer, monitor, stampanti, fax, copiatrici, scanner, e dispositivi multifunzionali. Gli standard e il logo (ENERGY STAR) sono uniformi tra le nazioni partecipanti.

Uso in applicazioni di alta sicurezza

Questo apparecchio è stato progettato e prodotto di modo che sia usato in applicazioni per ufficio, personali, domestiche, industria regolare e per scopi generali. Non è stato progettato e prodotto per uso in applicazioni (di seguito chiamate "applicazioni d'alta sicurezza") che comportano direttamente rischi alla

vita e alla salute quando siano richiesti livelli di sicurezza molto alti, ad esempio, nel controllo di reazioni nucleari in impianti nucleari, il volo automatico d'aerei, il controllo del traffico aereo, il controllo operativo di sistemi di trasporto di massa, le apparecchiature mediche di sostegno alla vita, e il lancio di missili in sistemi bellici, e quando temporaneamente, la sicurezza in questione non è assicurata. L'utente dovrà usare questo prodotto senza adottare accorgimenti per assicurare la sicurezza in tali applicazioni ad alta sicurezza. PFU LIMITED non assume alcuna responsabilità per danni creati dall'uso di questo prodotto da parte dell'utente in applicazioni ad alta sicurezza, e per qualsiasi richiesta o compensazione per danni avanzata dall'utente o da terzi.

Sull' uso del mercurio



La lampada (le lampade) dentro questo prodotto contiene mercurio e deve essere riciclato o trattato in conformità alle ordinanze o alle norme di smaltimento locali.

Per evitare lesioni inaspettate, leggere con attenzione la parte seguente

Queste azioni potrebbero procurare lesioni personali:

- Non inghiottire la sostanza contenuta nella lampada poiché contiene mercurio.
- Non bruciare, frantumare o rompere lo scanner.
- Non respirare il liquido chimico contenuto nelle parti dello scanner.

■ Convenzioni

Indicazioni d'Avvertimento usate in questo manuale



Questa indicazione allerta l'operatore riguardo ad un'operazione che, se non strettamente osservata, potrebbe causare gravi lesioni o morte.



Questa indicazione allerta l'operatore riguardo ad un'operazione che, se non strettamente osservata, potrebbe risultare in rischi alla sicurezza del personale o danneggiare l'apparecchio.

Simboli usati in questo manuale

Questo manuale adotta i seguenti simboli per spiegazioni in aggiunta alle indicazioni d'avvertimento.



Questo simbolo allerta l'operatore riguardo a particolari importanti informazioni. Assicurarsi di leggere le informazioni.



Questo simbolo allerta l'operatore su avvisi utili riguardo alle operazioni.



Il simbolo TRIANGOLO TRIANGLE indica che è necessaria particolare cura e attenzione.

Il disegno all'interno del triangolo indica la specifica precauzione.



Un CERCHIO con una linea diagonale interna, indica le azioni che l'utente non dovrebbe compiere.

Il disegno interno o sotto il cerchio, indica l'azione specifica che non è permessa.



Caratteri sottolineati su sfondo a colori indicano azioni che l'utente deve seguire.

Potrebbe anche includere il disegno che indica l'istruzione specifica.

Riguardo all'etichetta d'Avvertimento

Questo prodotto usa la seguente etichetta d'Avvertimento.



L'area attorno a cui è attaccata quest'etichetta può diventare molto calda. Stare seriamente attenti poiché il calore può causare bruciate.



Non rimuovere dallo scanner, sporcare o graffiare l'etichetta d'Avvertimento.

Schermate d'esempio in questo manuale

Le schermate di esempio in questo manuale sono soggette a modifiche senza preavviso nell'interesse del miglioramento del prodotto.

Se l'attuale schermata visualizzata fosse differente dalle schermate d'esempio in questo manuale, seguite la schermata ora visualizzata, mentre fate riferimento al Manuale dell'utente dell'applicazione dello scanner che state usando.

Inoltre, le finestre di dialogo in questa guida sono per ScanSnap Manager, l'applicazione CardMinder, PDF Thumbnail View, ScanSnap Organizer e Adobe Acrobat.

Informazioni sulla manutenzione

L'utente non deve eseguire riparazioni a questo scanner.

Contattare il negozio dove avete acquistato lo scanner o un fornitore d'assistenza autorizzato FUJITSU Scanner d'immagini per le riparazioni a questo prodotto.

■ Precauzioni di sicurezza

SEGUIRE QUESTE ISTRUZIONI E ASSICURARSI DI SEGUIRE TUTTE LE AVVERTENZE E PRECAUZIONI DESCRITTE DI SEGUITO.



Non toccare la presa di corrente con le mani bagnate. Può causare scosse elettriche.



Un cavo AC danneggiato può causare incendi o scosse elettriche.

Non mettere oggetti pesanti sui cavi AC, tirare, piegare, arrotolare, riscaldare, danneggiare e modificare i cavi AC.

Inoltre, non usare cavi AC o prese di corrente danneggiate, e cavi AC o prese di corrente quando la presa a muro è allentata. Inoltre, non utilizzare cavi AC o spine di alimentazione danneggiati o le prese a muro di alimentazione allentate.



Non usare altri cavi al di fuori di quelli forniti con questo prodotto. Usare solo cavi AC e cavi connettori. Il mancato uso di cavi di corrente corretti può causare scosse elettriche e guasti all'apparecchio.



Usare questo scanner solo con il voltaggio e la corrente indicati. I Voltaggi e la corrente impropri possono causare incendi o scosse elettriche. Inoltre, non collegarlo a prese multiple di corrente.



Togliere la polvere dalle parti metalliche sulla presa di corrente con un panno soffice e asciutto. L'accumulo di polvere può causare fuochi o shock elettrico.



Non installare lo scanner in posti esposti a fumi di oli, vapore, umidità e polvere. Facendo questo, si può causare incendi o scosse elettriche.



Se rilevate calore proveniente dal dispositivo, oppure rilevate altri problemi come fumo, strani odori o rumori, spegnete immediatamente lo scanner e scollegate la presa di corrente.

Assicurarsi che il fumo sia cessato, e quindi contattare il negozio dove lo avete acquistato o un fornitore d'assistenza autorizzato FUJITSU.



Se lo scanner è danneggiato per qualsiasi ragione, spegnerlo e staccare il cavo di corrente prima di contattare il negozio dove lo avete acquistato.



Non inserire o lasciar cadere oggetti metallici nello scanner. Non scansionare documenti bagnati o con graffette. Non versare liquidi e non permettere che lo scanner si bagni.



Se oggetti estranei (acqua, piccoli oggetti metallici, liquidi etc.) entrano nello scanner, spegnetelo immediatamente e scollegate il cavo di corrente dalla presa, quindi contattare il negozio dove lo avete acquistato o il Centro d'Assistenza Tecnica. Fare particolare attenzione a quest'avvertenza nel caso vi fossero bambini piccoli nelle vicinanze.



Non aprire o modificare lo scanner. L'interno dello scanner contiene componenti ad alto voltaggio. Toccare questi componenti, può causare incendi o scosse elettriche.



La parte seguente descrive importanti precauzioni.



Installare lo scanner su un tavolo in modo che nessuna parte sporga da esso. Inoltre assicurarsi che lo scanner sia installato su una superficie piana e regolare.



Non installare lo scanner su superfici instabili. Installare lo scanner su una superficie piatta libera da vibrazioni per prevenirne la caduta.

Installare lo scanner su una superficie robusta che sopporti il peso dello scanner e di altri dispositivi.



Inserire fermamente il cavo della corrente nella presa.



Installare lo scanner lontano da forti campi magnetici e altre fonti di disturbo elettrico. Inoltre, proteggere lo scanner da elettricità statica che può provocare malfunzionamenti dello scanner.



Non usare spray aerosol per pulire lo scanner. Spray aerosol causano l'entrata di sporco e polvere nello scanner, causandone guasti e malfunzionamento.



Quando lo scanner non è usato per lunghi periodi, assicurarsi di scollegare il cavo della corrente dalla presa per sicurezza.



Non installare lo scanner alla luce diretta del sole o vicino ad apparecchi di riscaldamento. Questo può creare un eccessivo riscaldamento all'interno dello scanner, causando incendi o problemi. Installare lo scanner in un luogo ben ventilato.



Non bloccare le porte di ventilazione. Bloccando le porte di ventilazione, si genera calore all'interno dello scanner, che può provocare incendi o scosse elettriche.



Non mettere oggetti pesanti sullo scanner o usare la parte superiore dello scanner per altri lavori. Un'installazione impropria può provocare lesioni.



Non muovere lo scanner quando il cavo della corrente e i cavi di interfaccia sono collegati perchè potrebbero danneggiarsi, provocando incendi, shock elettrico o lesioni.

Prima di muovere lo scanner, assicurarsi di scollegare il cavo di corrente dalla spina, e di scollegare il cavo dei dati. Assicurarsi inoltre che non ci siano ostacoli sul suolo.



Evitare di toccare qualsiasi meccanismo dello scanner durante la scansione perchè potrebbe provocare lesioni.



Non usare l'apparecchiatura immediatamente dopo averla spostata da un luogo freddo ad un luogo caldo. Questo può causare una condensazione, che porta ad errori di scansione. Lasciare l'apparecchiatura raffreddare una o due ore prima di usarla.

1. Preparazione

Questo capitolo descrive la preparazione necessaria prima di iniziare ad usare ScanSnap.



Non collegare lo scanner al computer prima di avere installato "PC Driver".
Se lo scanner viene collegato prima di installare ScanSnap Manager, non opererà normalmente.
Fare riferimento al Capitolo 2 per l'installazione del driver.

1.1. Controllare i contenuti della confezione

Quando aprite la confezione dello scanner, assicurarsi che tutte le parti siano incluse.
Fare riferimento alla lista del contenuto della confezione inclusa nella scatola di confezione.

1.2. Nomi e funzioni delle parti

Questa sezione descrive i nomi delle parti e le loro funzioni.

■ Parte frontale

Coperchio dello scivolo

Aprire questo coperchio quando si usa lo scanner.
→ Aprire il coperchio e accendere lo scanner.

Coperchio dell'ADF (ADF: Automatic Document Feeder)

Cassetta di raccolta
Installarlo allo scanner allineando le due linguette ai fori alle estremità dello scanner.

Leva di apertura del coperchio
Questa leva serve per aprire il coperchio dell'ADF.

Coperchio dello scivolo
Aprire questo coperchio e caricare i documenti in questa parte quando si scansionano documenti.

Guide laterali
Aggiustare queste guide laterali alla larghezza dei documenti per evitare immagini scansionate storte

Cassetta di raccolta

Per usare questa parte, tirarla fuori come si vede nella figura.
→ Documenti sono gettati dall'ADF in questa cassetta.

* Si può usare lo scanner anche senza cassetta di raccolta.

■ Tasti



Tasto [SCAN]

Comincia la scansione.

Tasto [POWER]

Accende o spegne la linea di alimentazione.

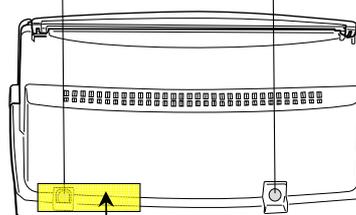
Spia di energia

Indica lo stato dello scanner.
Verde; :Pronto
Verde (Lampeggiante) :Scansione
Arancione :Errore
Luce spenta :Spento

■ Parte posteriore

Connettore USB

Connettore riduttore AC



Sigillo: Dopo l'installazione di ScanSnap Manager nel computer, rimuovere questo sigillo per connettere lo scanner al computer.



Per la Specificazione dei Documenti, fare riferimento alla "Guida dell'operatore ScanSnap fi-5110EOX" che si trova nel Setup CD-ROM di ScanSnap.



Lo scanner viene acceso e spento automaticamente, quando si apre e si chiude il coperchio dello scivolo.
Per spegnere lo scanner quando il coperchio è aperto, premere il tasto [POWER].

2. Collegare ScanSnap

Questo capitolo descrive come collegare ScanSnap al computer.

2.1. Installare il Software fornito

Prima di collegare lo scanner al computer, installare il seguente software.

- ① Adobe Acrobat 6.0 (Applicazione)
- ② ScanSnap Manager (Driver)
- ③ ScanSnap Organizer (Applicazione)
- ④ CardMinder (Applicazione)
- ⑤ Abilitare PDF Thumbnail View (Applicazione)



- **Assicurarsi di installare "ScanSnap Manager" prima di collegare lo scanner computer.**

Se lo scanner viene collegato prima di installare ScanSnap Manager, appare "Installazione guidata nuovo hardware." (la dicitura esatta dipende dal tipo di sistema operativo). In questo caso, fare click sul tasto **[Annulla]** per chiudere la Guida.

- Non è possibile connettere istantaneamente gli scanner ScanSnap fi-5110EOX e il fi-4110EOX (o due o più fi-5110EOX scanner) in un computer.
- Se qualsiasi driver dello ScanSnap serie fi-4110EOX2 o fi-5110EOX è stato già installato sul computer, disinstallarlo prima di iniziare una nuova installazione.
- Quando usate Windows 2000 or Windows XP, eseguire il log on come amministratore.
- I seguenti ambienti operativi sono richiesti per ScanSnap fi-5110EOX2:
CPU: Intel® Pentium® III 600MHz o versione più avanzata (Raccomandata: Intel® Pentium® 4 1.8GHz o la versione più avanzata)
Memoria: 128MB o più (Raccomandata: 256MB o più)
*Se il CPU e la memoria non conciliano con le specifiche richieste o la versione USB è 1.1, la velocità di scansione potrebbe rallentare



ScanSnap Manager include il driver software per ScanSnap fi-4110EOX2 e ScanSnap fi-5110EOX2. Se si hanno già questi software: ScanSnap fi-5110EOX2, ScanSnap fi-4110EOX2 o ScanSnap fi-5110EOX, si può connettere lo scanner al PC.

2.1.1. Installare Adobe Acrobat 6.0

Preparare il CD-ROM di Adobe Acrobat 6.0.



Adobe Acrobat 6.0 non è sostenuto da Windows 98 e Windows Me
(Windows 98 Second Edition è supportato)

1. Inserire "Adobe Acrobat 6.0 CD-ROM" nell'unità CD-ROM.

⇒ Appare la finestra "Adobe Acrobat 6.0 AutoPlay".



Questa finestra non è visualizzata automaticamente, quando l'impostazione "Auto play" del computer è spenta. In questo caso, eseguire "AutoPlay.exe" nel CD-ROM direttamente usando "Esplora" o "Risorse del computer".

2. Selezionare [Installa] e fare click sul tasto [Installa Acrobat 6.0 Standard].



3. Fare click sul tasto [Avanti>].



⇒ L'installazione parte, e appare la finestra di impostazione.

4. Seguire le istruzioni nella finestra di impostazione.



Fare click sul tasto [Prima di installare] nella finestra [Adobe Acrobat 6.0 AutoPlay] per altre informazioni sull'installazione di Adobe Acrobat 6.0. Fare riferimento a "Adobe Acrobat Help" sull'uso di Adobe Acrobat 6.0.

2.1.2. Installare ScanSnap Manager, ScanSnap Organizer, CardMinder e PDF Thumbnail View

Preparare il CD-ROM di ScanSnap Setup.

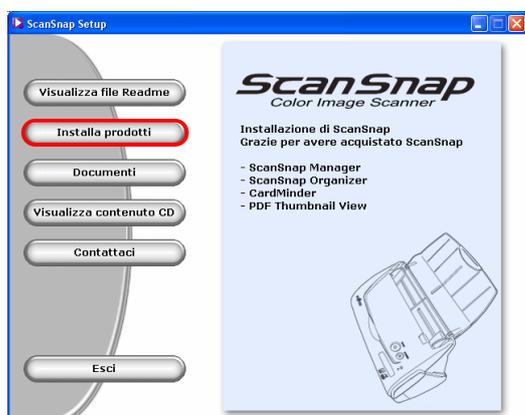
1. Inserire "ScanSnap Setup CD-ROM" nell'unità CD-ROM.

⇒ Appare la finestra di impostazione "ScanSnap Setup".



Questa finestra non è visualizzata automaticamente, quando l'impostazione "Auto play" del computer è spenta. In questo caso, eseguire "Setup.exe" in questo CD-ROM direttamente usando "Esplora" o "Risorse del computer".

2. Fare click sul tasto [Installa Prodotti].

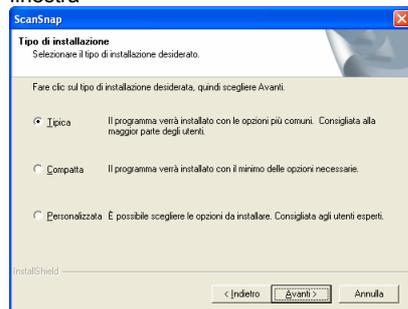


⇒ L'installazione di Scansnap Manager, CardMinder e visualizzazioni d'immagini in miniatura PDF parte, appare la finestra di Guida.

3. Appare la finestra d'impostazione. Seguire le istruzioni sulla finestra.



Durante l'installazione appare la seguente finestra



[Tipica] <Raccomandato>
"ScanSnap Manager", "ScanSnap Organizer", "CardMinder" e "PDF Thumbnail View" sono installati inclusi i loro manuali.

[Compatta]
"ScanSnap Manager" è installato con il suo manuale.

[Personalizzata]
Potete selezionare il software da installare con il suo manuale.

(Quando si reinstallano i programmi, le seguenti due finestre non appariranno.)



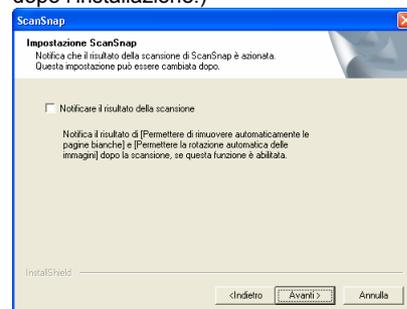
[Posizionare il documento a faccia in giù e scansionare (Raccomandato)]

Selezionare caricare il documento a faccia in giù al contrario sullo scanner.

[Posizionare il documento a faccia in su e scansionare]

Selezionare caricare il documento così come è sullo scanner.

(Nota: Si può cambiare questa impostazione dopo l'installazione.)



Specificare se compiere o no "Notificare il risultato della scansione" dopo la scansione. Se la casella è segnata, la finestra di notifica appare mostrando se le seguenti funzioni sono state eseguite o no.

- Abilitare la rimozione automatica delle pagine vuote
- Abilitare raddrizzamento automatico di immagini

4. Quando l'installazione è completata riavviare il computer.



Fare riferimento alla "Guida dell'operatore ScanSnap" per saperne di più su ScanSnap Manager o l'installazione di CardMinder.

2.2. Collegare lo scanner

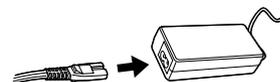
Dopo che il computer è riavviato, connettere lo scanner.

2.2.1. Collegare il cavo di alimentazione

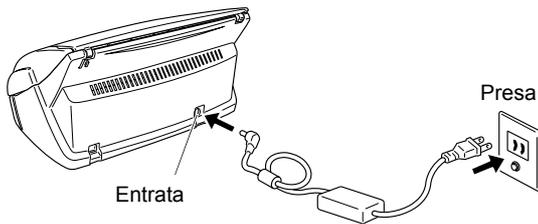


Non usare altri cavi al di fuori di quelli forniti con questo prodotto. Usare solo cavi AC e cavi connettori.

1. Collegare il cavo d'alimentazione con l'alimentatore.



- Inserire il connettore dalla parte dell'alimentatore alla presa AC dello scanner.



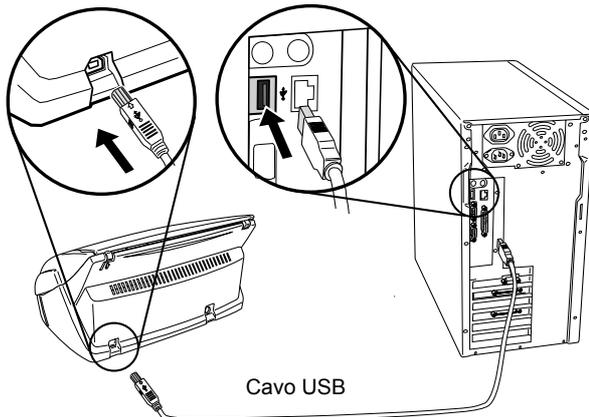
2.2.2. Collegare il cavo USB.

Usare la seguente procedura per collegare il cavo USB.



- Usare il cavo USB fornito con questo scanner. L'operatività con un cavo USB disponibile in commercio non è garantita.
- Quando collegate il cavo ad un hub USB, assicurarsi di collegare l'hub (prima fase) più vicino al computer. Se lo collegate ad un hub USB nella seconda fase, ScanSnap potrebbe non funzionare correttamente..

- Rimuovere l'etichetta sul connettore USB.
- Collegare il connettore cavo USB allo scanner ed al computer.



- Aprire il coperchio dello scivolo dello scanner.



Se lo scanner non è acceso automaticamente, premere il tasto [POWER] sullo scanner.

⇒ Il computer rileva automaticamente lo scanner.

Per Windows 98

Viene richiesto di inserire un disco. Alla richiesta, inserire il CD-ROM di Windows 98 nell'unità CD-ROM. Fare click sul tasto [OK].

Per Windows Me

Il nuovo hardware viene rilevato e l'installazione è completata automaticamente.

Per Windows 2000

Quando appare [Firma digitale non trovata], fare click sul tasto [Si].

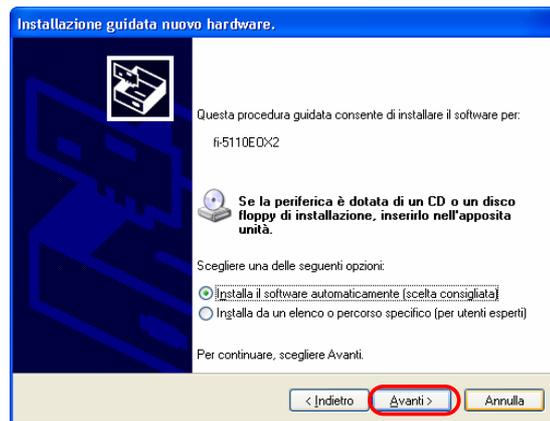
Per Windows XP

- Quando appare [Installazione guidata nuovo hardware], scegliere "No, non ora" e fare click su [Avanti >].



(La seguente finestra appare quando il Service Pack 2 è installato.)

- Fare click sul tasto [Avanti >], quando appare questa finestra.



- Quando appare [Installazione hardware], fare click sul tasto [Continua].



Appare la finestra di completamento dell'installazione.

- Fare click sul tasto [Fine] quando l'installazione è finita.

L'installazione di ScanSnap è completata!

ATTENZIONE



L'icona "Schermo ScanSnap" viene visualizzata sulla barra degli strumenti. 

Quando l'icona rimane come , premere il tasto [POWER] per spegnere lo scanner e premere il tasto [POWER] per accenderlo di nuovo.
(Abilita un intervallo di tempo di 5 secondi quando si accende o si spegne lo scanner)

AVVISO



Quando si accende e si spegne lo scanner, premere il tasto [POWER] per più di un secondo.
*Per prevenire disfunzioni operative, il tasto [POWER] non funziona almeno che non si premi per più di un secondo.

3. Come usare ScanSnap

Questo capitolo descrive operazioni di base di ScanSnap.

3.1. Scansione di documenti di ufficio

Con "ScanSnap" si possono trasformare i documenti in carta di ufficio sul proprio tavolo in file digitali e salvarli premendo soltanto un singolo tasto. L'immagine acquisita può essere visualizzata sullo schermo tramite delle applicazioni fornite (Adobe Acrobat, CardMinder). Ci sono due tipi di uso:

- ① Creare un backup digitale di documenti di ufficio come file PDF. Visualizzateli e modificali in seguito usando "Adobe Acrobat". Adobe Acrobat permette di usare le informazioni scansionate usando la funzione OCR (Riconoscimento ottico di caratteri) (Cattura della carta) per estrarre il testo e la sicurezza di funzione inserendo una parola chiave.

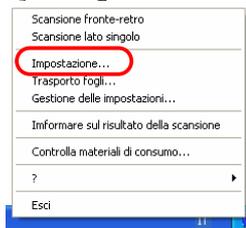
(Nota: Per informazioni sull'uso di Adobe Acrobat, fare riferimento a [Adobe Acrobat Help].)

- ② Scansire ed archiviare biglietti da visita. Con "CardMinder", potete scansire, riconoscere e modificare biglietti da visita, ed esportare i dati ad una applicazione di gestione di informazioni personali tra le più diffuse come Outlook.

3.2. Impostazioni di scansione

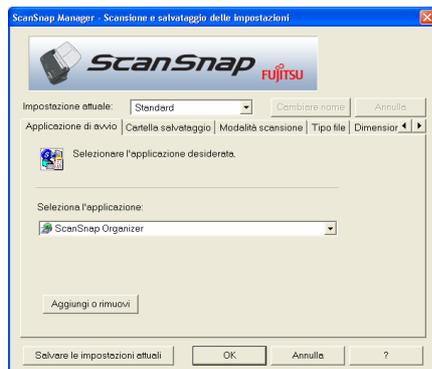
Potete cambiare le impostazioni di scansione di ScanSnap usando "ScanSnap Manager".

1. Fare click destro sull'icona "ScanSnap Manager" sulla barra degli strumenti, e selezionare [Impostazione...] dal seguente menu.



⇒ Si apre la finestra "Scansione e salvataggio delle impostazioni".

2. Cambiare le impostazioni di scansione nella finestra "Scansione e salvataggio delle impostazioni".



Ci sono sei targhette usate per configurare le opzioni di scansione:

[Applicazione di avvio]

Selezionare l'applicazione per vedere/aggiustare le immagini scansionate.

[Cartella salvataggio]

Specifica la cartella e il nome del file dove si salvano le immagini acquisite.

[Modalità scansione]

Specifica la qualità dell'immagine scansionata.

[Tipo file]

Seleziona il tipo di formato file (PDF, JPEG) delle immagini salvate.

[Dimensione carta]

Select the size of the document to be scanned.

[Compressione]

Seleziona il rapporto di compressione del file.



Per saperne di più riguardo a queste installazioni fare riferimento alla "Guida dell'operatore di ScanSnap" nel "Setup CD-ROM di ScanSnap".

3. Fare click sul tasto [OK] per completare le impostazioni.

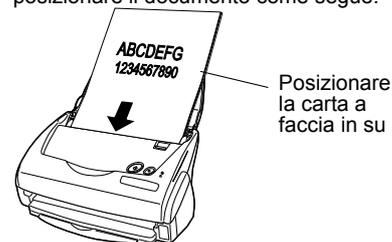
⇒ Le nuove impostazioni sono abilitate.

3.3 Scansione di documenti di ufficio

1. Selezionare "Adobe Acrobat" sulla targhetta [Applicazione di avvio] di "Scansione e Salvataggio delle impostazioni".
2. Caricare i documenti sullo scanner.



Al passo 3 di [2.1.2 Installare ScanSnap Manager, ScanSnap Organizer, CardMinder e PDF Thumbnail View], se si seleziona [Permettere ai documenti da scansionare di stare a faccia in su attraverso l'ADF], posizionare il documento come segue.



3. Premere il tasto [SCAN].
 - ⇒ La scansione parte.
 - ⇒ Quando la scansione è completata, Adobe Acrobat avvia e visualizza le immagini acquisite.



- Potete anche usare un'altra applicazione per visualizzare immagini acquisite dopo la scansione.
- Premere il tasto [SCAN], i documenti vengono scansionati nella modalità "Fronte/retro". Per scansionare i documenti nella modalità "Semplice", cambiare le impostazioni usando ScanSnap Manager .
- ScanSnap può scansionare documenti usando varie impostazioni Fare riferimento alla "Guida dell'operatore ScanSnap" nel "Setup CD-ROM ScanSnap" per ulteriori informazioni riguardo la scansione di documenti.

3.4. Scansione con il Trasporto Fogli.

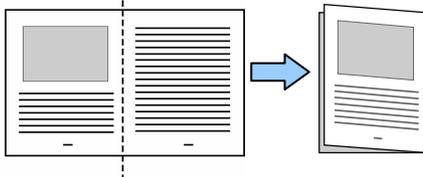
Se si usa il Trasporto Fogli, si possono scansionare documenti grandi come A3/B4/11x17 -misura di documenti, e anche documenti con una misura irregolare come ritagli di articoli.

Qui, come esempio, questa sezione spiega come scansionare documenti di misura A3.

Se si scansiona un documento A3, non è possibile caricarlo sullo scanner così come è. Piegare il documento a metà e scansionarlo seguendo le procedure in basso.

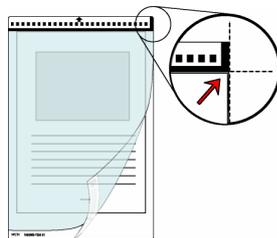
1. Stendere la pagina a faccia in su e piegarla a metà precisa.

Piegarla in modo chiaro in modo che la parte piegata non appaia gonfia.



2. Aprire il Trasporto Fogli e posizionare il documento piegato.

Allineare la parte superiore del documento alla parte superiore del Trasporto fogli, e mettere la parte piegata del documento allineata in alto a destra.



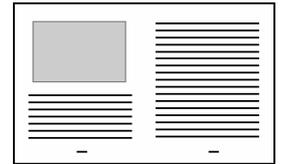
3. Posizionare il Trasporto Fogli sullo scanner.

- Posizionare la parte superiore del Trasporto con i disegni in bianco e nero stampati, e caricarlo nella direzione della freccia.
- Se si sta usando il Trasporto Fogli per la scansione, non è possibile scansionare diversi fogli ininterrottamente. Caricare i fogli uno dopo l'altro e scansionarli.



4. Premere il tasto [SCAN].

- ⇒ La pagina di fronte e quella retro sono visualizzate a Pagine affiancate e disposte una accanto all'altra.



Il metodo di caricamento e le impostazioni di ScanSnap Manager differiscono in accordo ai documenti da scansionare. Per i dettagli fare riferimento a "ScanSnap Guida dell'operatore" sul "ScanSnap Setup CD-ROM".

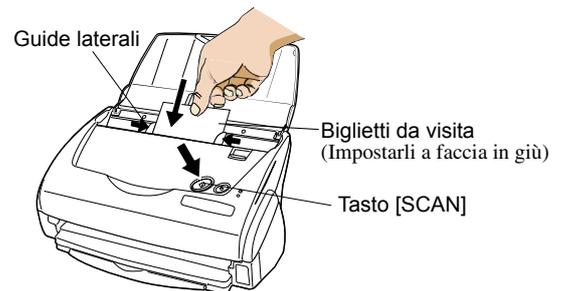
3.5. Scansione dei biglietti da visita

1. Selezionare "CardMinder" sulla targhetta [Applicazione] di "Impostazioni di Scansione e Salvataggio".



- Quando "CardMinder" è selezionato, solo [Applicazione di avvio] e [Modalità scansione] sono abilitati.
- Fare riferimento alla "Guida dell'operatore ScanSnap" nel "Setup CD-ROM ScanSnap" per altre informazioni riguardo alle impostazioni.

2. Caricare i biglietti da visita sullo scanner. Aggiustare le guide laterali alla larghezza dei biglietti da visita.

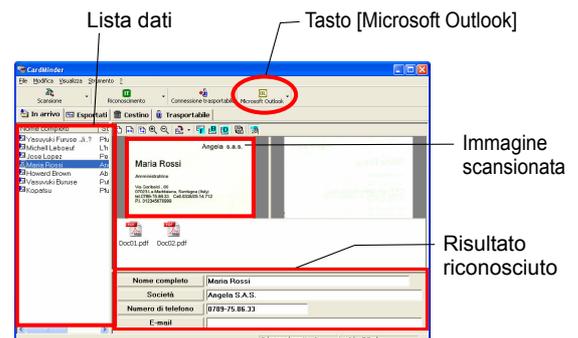


3. Premere il tasto di scansione.

- ⇒ La scansione parte.

- ⇒ La finestra di "CardMinder" si apre, e i dati riconosciuti, nome, compagnia, indirizzo di e-mail appaiono nella finestra.

4. Appare questa finestra
Selezionare un biglietto da visita dalla lista Dati. Controllare i dati nel campo Risultato Riconoscimento in questa finestra. Correggere i dati se riconoscete qualche sbaglio.



- Usando Outlook come esempio, dopo aver confermato i dati del biglietto da visita, selezionare i biglietti che volete esportare in Outlook. Fare click sul tasto [Microsoft Outlook] sulla Barra degli strumenti. I dati sono esportati in Outlook.



AVVISO

Potete inviare i dati (risultato riconoscimento) alle seguenti applicazioni:

- Microsoft® Outlook®
- Outlook Express
- ACT!™
- GoldMine®

Oppure potete salvare i dati in formato CSV da importare in altre applicazioni come Excel.

Fare riferimento per dettagli alla **"Guida dell'operatore CardMinder"**.

- Avviare Outlook per confermare i dati del biglietto da visita importato.
- Quando volete chiudere "CardMinder", selezionare [Esci] nel menu [File].



AVVISO

"CardMinder" provides also various other functions. Fare riferimento alla **"Guida dell'operatore CardMinder"** nel **"Setup CD-ROM ScanSnap"** per ulteriori informazioni.

3.6. Riguardo PDF Thumbnail View

"PDF Thumbnail View" è un programma che permette di usare Windows Esplora per visualizzare immagini in miniatura PDF.

E' disabilitato per preimpostazione.

(*Questo programma è installato quando il Sistema Operativo è **Windows 2000** o **Windows XP**.)

Abilitare PDF Thumbnail View

- Sul menu [start], selezionare [Programmi] – [PDF Thumbnail View] – [Strumento di configurazione].
 - Fare click sul box di controllo **"Attiva"** e fare click sul tasto [OK] nella finestra "Impostazioni della funzione Visualizza miniatura PDF".
- ⇒ Potete vedere le immagini in miniatura di file PDF con Windows Explorer esattamente come bitmap o immagini JPEG.



AVVISO

Fare riferimento alla **"Guida dell'operatore ScanSnap"** nel **"Setup CD-ROM ScanSnap"** per dettagli.

3.7. ScanSnap Organizer

ScanSnap Organizer è un'applicazione che ordina la visualizzazione delle immagini file in immagini in miniatura (thumbnail) come PDF e JPEG file.

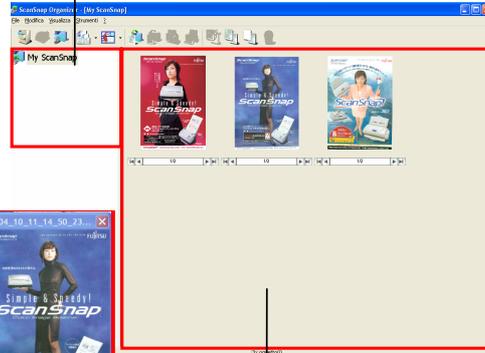
I file scansionati in ScanSnap possono essere visualizzati senza aprirli. Si possono creare cartelle, e ordinare file per queste cartelle per scopi differenti.

Inoltre, per file con pagine multiple, si possono controllare le pagine visualizzate in immagini in miniatura.

Dal menu [Start], quando si seleziona [Tutti i programmi] – [ScanSnap Organizer] – [ScanSnap Organizer], le seguenti finestre appaiono.

Lista Cartelle

Mostra la cartella che è stata scelta da ScanSnap Organizer.



Lista file

I file PDF/JPEG che sono scelte sono mostrate in miniatura (Thumbnail).

Finestra in miniatura dei Pop-up

Mostra le pagine selezionate in una finestra pop-up.

Immagine Miniatura (Thumbnail)

Visualizza un immagine in miniature del file



Numero Pagina

Mostra (l'attuale numero di pagina /numero totale di pagine).

Tasto "Zoom-in/Zoom-out"

Ingrandire o rimpicciolire l'"Immagine Pop-up Thumbnail" attuale.

Tasto per avanzare di pagina

Se un file contiene diverse pagine, si può avanzare di pagina per vedere la miniatura

Nome file



HINT

Per i dettagli fare riferimento a **"ScanSnap guida dell'operatore"** sul **"ScanSnap Setup CD-ROM"**.

4. Soluzione dei problemi

Questo capitolo descrive i problemi comuni durante l'uso di ScanSnap e come risolverli.

4.1. Lista di controllo della Soluzione dei problemi

Prima di chiamare l'assistenza, controllare le seguenti voci.

Se non riuscite a risolvere il problema dopo avere controllato le seguenti voci, contattate il negozio dove avete acquistato questo prodotto oppure contattare un fornitore di assistenza scanner autorizzato FUJITSU.

| Sintomi | Controllare questa voce | Rimedi |
|----------------------------|--|--|
| Lo scanner non si accende. | Il cavo di alimentazione/il cavo USB sono connessi correttamente?. | Collegare correttamente il cavo di alimentazione/il cavo USB e l'alimentatore. Scollegare e quindi ricollegare il cavo di alimentazione e l'alimentatore. (Nota: Abilita un lasso di tempo di circa 5 secondi quando si connette e riconnette il cavo AC) |
| | Il coperchio dello scivolo è chiuso ? (L'alimentatore dello scanner è controllato dalla chiusura/aperture del coperchio dello scivolo.) | Aprire lo scivolo dell' ADF. |
| | Windows si è inizializzato normalmente? (L'alimentatore dello scanner è controllato accendendo e spegnendo il computer). | Permettere allo scanner di inizializzare normalmente. Il LED può spegnersi quando Windows è inizializzato o lo scanner è in modalità di bassa energia. |
| | Avete premuto il tasto [POWER] per spegnere lo scanner? (Lo scanner può essere spento premendo il tasto [POWER] quando il coperchio dello scivolo è aperto.) | Premere il tasto [POWER] sullo scanner. |
| | La scansione non parte. | Il cavo USB è propriamente collegato? |
| | La luce del LED lampeggia ripetutamente? | Scollegare e quindi ricollegare il cavo di alimentazione e l'alimentatore. (Nota: Abilita un lasso di tempo di circa 5 secondi quando si connette e riconnette il cavo AC) |
| | ScanSnap Manager è avviato? (Se ScanSnap Manager è avviato con successo, l'icona di "ScanSnap Manager"  appare sulla barra degli strumenti.) | Se l'icona "ScanSnap Manager" non è visualizzata, nel menu [start], selezionare [Programmi] - [ScanSnap Manager] - [ScanSnap Manager] per avviare ScanSnap Manager. |
| | ScanSnap Manager parte normalmente? (Se ScanSnap Manager non parte normalmente, l'icona "ScanSnap Manager" sulla barra degli strumenti è visualizzata come  .) | Eseguire le seguenti procedure: 1. Eseguire da "Gestione periferiche" "Rileva modifiche hardware" (*1). Se la situazione non migliora, eseguire dal passo 2. 2. Scollegare e quindi ricollegare il cavo di alimentazione e l'alimentatore. (Nota: Abilita un lasso di tempo di circa 5 secondi quando si connette e riconnette il cavo AC). Se questo non ne modifica lo stato, eseguire il passo 2. 3. Se un USB hub è in uso, collegare direttamente il computer a ScanSnap Se questo non ne modifica lo stato, eseguire il passo 3. 4. Riavviare il computer. Se nessuno dei rimedi indicati risolve il problema, disinstallare e reinstallare ScanSnap Manager (*2). |

| Sintomi | Controllare questa voce | Rimedi |
|--|--|--|
| | La finestra "Impostazioni di Scansione e Salvataggio" è tuttora visualizzata? | Chiudere la schermata "Scansione e Salvataggio delle impostazioni" e scansionare il documento. |
| Linee verticali appaiono sull'immagine scansionata. | L'interno dello scanner è sporco? | Pulire l'interno dell'ADF seguendo le istruzioni nel " 5. Manutenzione giornaliera ". |
| L'immagine scansionata è slittata o distorta. | Il documento è stato caricato correttamente? | Caricare il documento correttamente. |
| L'immagine scansionata è bianca o scura. | In scansione Bianco e Nero, l'[Opzioni...] - "Luminosità" nella targhetta [Modalità scansione] è impostata molto chiara o scura? | Adjust "Regolare" Luminosità" in [Modalità scansione] - [Opzioni...] nella finestra "Scansione e Salvataggio delle impostazioni". |
| Le linee dei documenti sono confuse. (Esempio: le linee in una tavola non possono essere visualizzate) | Si sta scansionando in modalità colore documenti che includono troppi caratteri, tavole rigate, o caratteri scritti a mano? | Se questo fosse il caso, selezionare la casella per "Impostare documento solo per testo" in "Scansione" - "Opzione" nella finestra "Scansione e Salvataggio delle impostazioni". |
| La velocità di scansione è lenta. | Il computer soddisfa i requisiti raccomandati dal sistema? | Verificare i requisiti del sistema nel "Prima di installare ScanSnap" nel Capitolo 2 della "Guida dell'operatore fi-5110E/OX". La velocità di scansione rallenterà ogni volta che i sistemi richiesti di CPU e della memoria non conciliano. In questo caso dalla finestra "ScanSnap Manager" selezionare [Modalità scansione] - [Opzioni...] e non marcare le finestre di impostazioni delle seguenti funzioni per aumentare la velocità di scansione. <ul style="list-style-type: none"> • Abilitare la non traslazione delle immagini automatica • Abilitare la rotazione automatica delle immagini |
| | Lo ScanSnap scanner è connesso al computer con l'interfaccia USB 1.1? Quando si usa questa interfaccia, il tasso dei dati trasferiti può abbassarsi mentre lo scanner trasmette dati grandi al computer. | Quando il computer è provvisto di un'interfaccia USB 2.0, connettere lo scanner al computer con questa interfaccia. (Quando si usa un hub USB, è necessario usare quello che supporta un'interfaccia USB 2.0.) (*3) |
| L'"Alimentazione multipla" avviene frequentemente. (*4) | Il separatore fogli è sporco? | Pulire il separatore fogli seguendo le istruzioni in " 5.3. Pulire all'interno dello scanner ". |
| | Il separatore fogli è usurato? | Sostituire il separatore fogli seguendo le istruzioni in " 6.2. Sostituire il separatore fogli ". |
| | La pila di documenti è più spessa di 4 mm? | Ridurre il numero di fogli nella pila di documenti a 4mm di altezza o meno. |
| Non viene alimentata la carta (si ferma a mezza strada). | Il rullo di pescaggio è sporco? | Pulire il rullo di pescaggio seguendo le istruzioni in " 5.3. Pulire all'interno dello scanner ". |
| | Il rullo di pescaggio è usurato? | Pulire il rullo di pescaggio seguendo le istruzioni in " 6.3. Sostituire il rullo di pescaggio ". |
| | Ci sono corpi estranei sul percorso di alimentazione dei documenti? | Rimuovere qualsiasi corpo estraneo dal percorso di alimentazione dei documenti. |
| | I documenti scansionati non soddisfano le condizioni elencate in "3.2" della guida dell'operatore? Se fosse così, non possono passare scorrevolmente attraverso l'ADF. | Provare i seguenti modi: <ul style="list-style-type: none"> • Premere leggermente con le dita il foglio del documento all'inizio della scansione. • Cambiare la direzione del documento caricato. |

| Sintomi | Controllare questa voce | Rimedi |
|---|---|--|
| Lo scanner non viene riconosciuto anche se ScanSnap Manager è installato. | Lo scanner è connesso al computer prima di installare ScanSnap Manager? Lo scanner è registrato come "Altro " nel "Gestore dispositivi?" | Nel menu [start] menu, selezionare [Pannello di controllo] - [Sistema] - [Hardware] - [Gestione periferiche]. Annullare il nome dispositivo (come dispositivo USB, differisce con il sistema operativo) sotto "Altre periferiche" nel [Impostazione Dispositivo] e riavviare il computer. |
| La dimensione del file dell'immagine scansionata è la stessa di un documento a colori anche se viene scansionato un documento in bianco e nero (B&W). | Il documento in bianco e nero è scansionato in modalità colore? | Impostare [Modalità colore] della targhetta [Modalità scansione] nella schermata di "Scansione e Salvataggio delle impostazioni" su "Bianco e Nero". |
| Il retro del documento appare nell'immagine scansionata durante la scansione di un documento a due facce (rumore di immagine su retro). | La casella non segnata di "Impostazione per documenti testo." Non è selezionato in [Opzioni...] della targhetta [Modalità scansione] nella schermata di "Scansione e Salvataggio delle impostazioni". | Selezionare la casella "Impostazione per documenti testo.". (Abilitato solo nella modalità di colore) |
| Le immagini scansionate non sono visualizzate sullo schermo (Quando è abilitato "rimozione automatica di pagine bianche"). | Quando la "rimozione automatica di pagine bianche" è abilitata, documenti che contengono solo pochi caratteri sono riconosciuti come pagine bianche e sono rimosse dai dati delle immagini scansionate accidentalmente. | Fare click sull'icona "ScanSnap Manager" sulla barra degli strumenti, poi selezionare [Impostazioni...] - [Scanning] e fare click sul tasto [Opzioni...]. Poi non marcare la finestra "rimozione automatica di pagine bianche". |
| Le immagini scansionate sono storte (Quando "Abilitare la rotazione automatica " è abilitata). | I documenti sono alimentati nell'ADF a più di +-5 gradi? | La funzione "Abilitare la rotazione automatica" può correggere immagini distorte sopra i 5 gradi. Caricare i documenti sullo scanner così che i documenti storti non superino questo limite. Se la situazione non migliora anche dopo aver provato questo metodo, disabilitare "Abilitare la rotazione automatica " su "Opzione" [Impostazioni...] - [Scanning]. |
| | A seconda dei contenuti del documento, la rotazione automatica può non funzionare correttamente. | Fare riferimento alla "Guida dell'operatore" sezione 3.4. |
| Questa orientazione del documento scansionato non è disposta correttamente (Quando "Abilitare la rotazione automatica " è abilitata). | A seconda dei contenuti del documento, la rotazione automatica può non funzionare correttamente. | Fare riferimento alla "Guida dell'operatore" sezione 3.4. |

*1)Per Windows XP, da Gestione periferiche, fare click destro sul nome del computer e apparirà "Rileva modifiche hardware

*2)Confermare che il PC e lo scanner siano accessi e connessi correttamente.

- Dalle Gestione periferiche, controllare se ScanSnap è riconosciuto come un apparecchio sconosciuto. Se così fosse, cancellarlo dal [Pannello di Controllo] - [Sistema].

- Chiudere ScanSnap Manager

- Andare su [Pannello di Controllo] - selezionare [Aggiungere o Rimuovere i Programmi] e disinstallare ScanSnap Manager e ScanSnap Organizer. (Fare riferimento a "4.1 Uninstalling Supplied Programs" (page 118))

- Prima di riavviare il PC, rimuovere le cartelle seguenti.



Stare attenti a non rimuovere nessuna cartella o file, poiché ciò può influenzare il sistema ambientale del PC.

Per Windows 2000, Windows XP:

Annullare la cartella ScanSnap di seguito:

c:/Documents and Settings/<User name>/Dati Applicazioni/PFU/

Cancellare la cartella Driver di seguito:

c:Program Files/PFU/ScanSnap/

Per Windows 98,ME:

Cancellare la cartella Driver di seguito:

c:\Program Files\PFU\ScanSnap/

Dopo aver rimosso le cartelle elencate sopra, confermare se i file sono stati cancellati dalla cartella

- fi5110e.INT

- fi5110e.PNF

Nella cartella C:/Windows/Inf siano stati cancellati. Se non fossero stati cancellati, rimuovere anche questi due file.



Fare attenzione, poiché la cartella C:/Windows/Inf può essere nascosta. Per confermare i due file sopra e cancellarli, selezionare dalla barra di menu di [Explorer] - [Strumenti]-[Cartella Opzioni...] e selezionare la scheda [View]. In questa scheda, controllare se è segnata [Nascondi file e cartelle] sotto [Nascondi file e cartelle]. Dopo aver segnato questa casella e applicata l'impostazione, la cartella nascosta C:/Windows/Inf diventa visibile e si può controllare se fi5110e.INT e fi5110e.PNF file esistano. Se si, rimuoverli.

- Dopo aver rimosso le cartelle sopra (file), riavviare il computer con lo ScanSnap disconnesso.

- Reinstallare ScanSnap Manager e riavviarlo.

*3) Per confermare se lo scanner sia connesso con USB 1.1 o USB 2.0, fare click destro sull'icona di ScanSnap nella barra degli strumenti e selezionare [Aiuto] - [riguardo a ScanSnap Manager], poi fare click sul tasto [Dettaglio] sulla finestra [Version Information]. Il [tipo USB] è visualizzato in [Informazioni sullo Scanner].

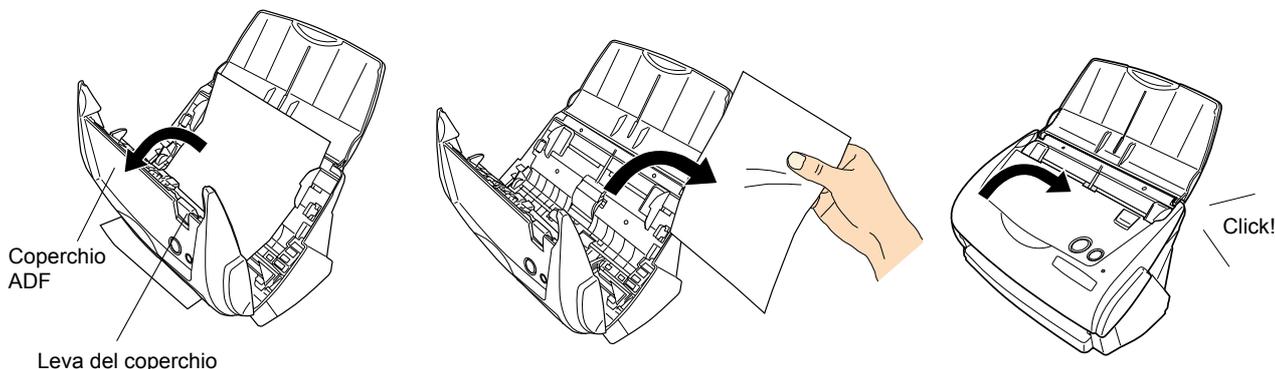
*4) L'alimentazione Multipla è un fenomeno per cui due o più fogli di carta sono alimentati insieme nello scanner.

* Visitate il nostro sito Web per riferimento. Altre utili informazioni saranno poste nell'angolo Domande e risposte frequenti FAQ qui di seguito l'indirizzo del nostro Web.

<http://scansnap.fujitsu.com>

4.2. Rimuovere inceppamenti della carta

1. Aprire l'ADF mentre sollevate la leva di apertura della copertura
2. Rimuovere il documento inceppato.
3. Chiudere il coperchio dell'ADF.



⇒ Dovreste sentire il click dell'ADF quando ritorna nella sua posizione originale.

5. Manutenzione giornaliera

Questo capitolo descrive come pulire ScanSnap



Incendio/Shock elettrico

Prima di pulire lo scanner, scollegare l'Alimentatore per spegnere lo scanner.

5.1. Materiali per la Pulizia

| Materiali per la Pulizia | Nr delle Parti | Nota |
|--------------------------|----------------|--|
| Detergente F1 | CA99501-0013 | 1 flacone (100ml) Inumidire un panno con questo liquido poi pulire lo scanner. (*1) |

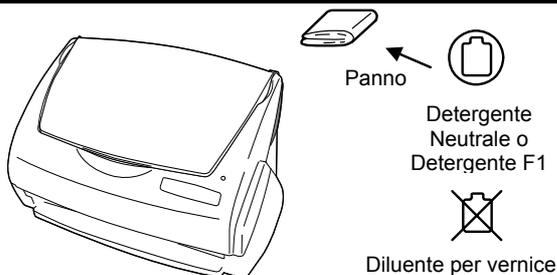
*1) Per comprare il prodotto per la pulizia, mettersi in contatto con il rivenditore dello scanner FUJITSU presso cui avete comprato lo scanner.

5.2. Pulire lo Scanner Esteriormente

Pulire l'esterno dello scanner e lo scivolo di alimentazione F1 con un panno soffice imbevuto di un pò di detergente neutro o Detergente F1.



- Non usare mai diluenti o altri solventi organici.
- Durante la pulizia, stare attenti a non versare acqua o altri liquidi nello scanner. Non usare spray aerosol per pulire lo scanner.
- Spray aerosol provoca l'entrata di sporco e polvere nello scanner, causandone guasti e malfunzionamento e errori di immagine



5.3. Pulire all'interno dello scanner

Pulire le parti all'interno dello scanner con un panno asciutto o con un panno imbevuto di poco alcol isopropilico. Dopo una successione di documenti scansionati, l'accumulo di polvere di carta e polvere dentro lo scanner causa errori di scansione.

Come indicato, pulire l'ADF dopo ogni 1,000 scansioni. Notare che questa indicazione varia a seconda del tipo di documento in scansione. Per esempio, l'ADF deve essere pulito più spesso quando vengono scansionati documenti fotocopiati dove il toner non è stato sufficientemente fissato sulla carta.

Pulire l'ADF in accordo alla seguente procedura riferendosi alle figure della pagina seguente.



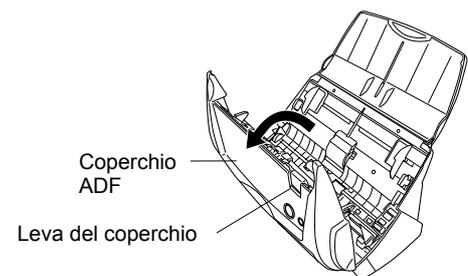
La superficie di vetro dentro l'ADF diventa calda durante l'uso dello scanner.

Prima di iniziare a pulire dentro lo scanner, scollegare l'Alimentatore dalla presa e attendere almeno 15 minuti che lo scanner si raffreddi.

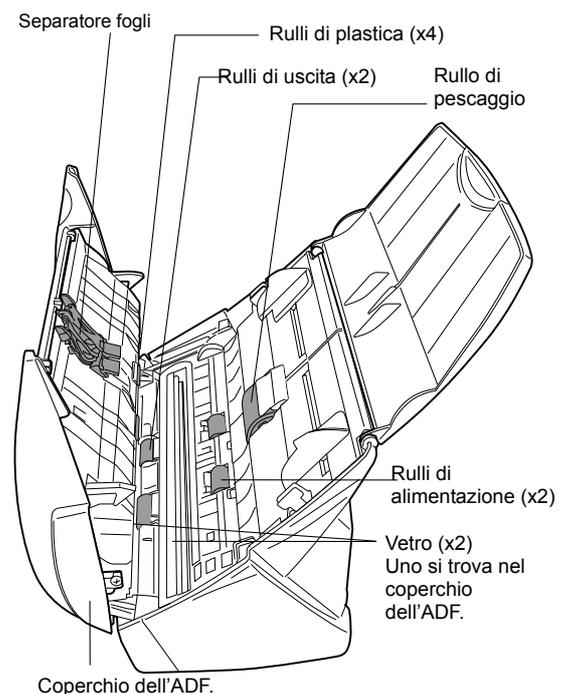


- Non usare mai acqua o detergente neutro per pulire l'interno dello scanner.
- Non usare spray aerosol per pulire lo scanner. Spray aerosol causano l'entrata di sporco e polvere nello scanner, causandone guasti e malfunzionamento.

1. Aprire l'ADF mentre sollevate la leva di apertura della copertura



2. Pulire le parti indicate con un panno asciutto o con un panno imbevuto del detergente F1.



Separatore fogli (x1)

Pulire il separatore fogli dall'alto in basso. Quando pulite il separatore fogli, fare attenzione a non incastrare il panno sull'ammortizzatore di metallo.

Vetro (x2 uno sul coperchio dell'ADF e un altro sul lato opposto)

Pulire con delicatezza.

Rullo di pescaggio (x1)

Pulire con delicatezza facendo attenzione a non graffiare la superficie del rullo. Fare particolare attenzione nel pulire il rullo di pescaggio, in quanto rimasugli neri sul rullo influenzano negativamente le prestazioni di pickup.

Rulli di plastica (x4 sul coperchio ADF)

Pulirli con delicatezza facendoli ruotare con le dita. Pulirli con delicatezza facendo attenzione a non indurirne la superficie. Fare particolare attenzione nella pulizia dei rulli di plastica, in quanto rimasugli neri sul rullo influenzano negativamente le prestazioni di pescaggio.

Accendere lo scanner prima di pulire le seguenti parti. Pulire i rulli, mentre si ruotano.

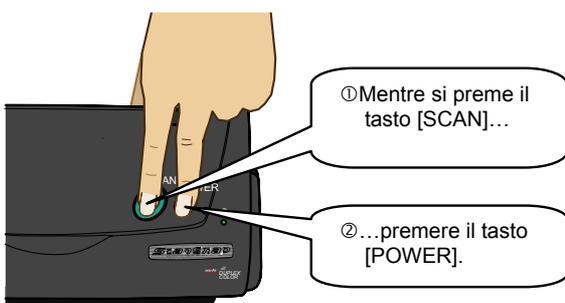
Rulli di alimentazione (x2)

Pulirli con delicatezza facendo attenzione a non indurirne la superficie. Fare particolare attenzione nella pulizia dei rulli di alimentazione, in quanto rimasugli neri sul rullo influenzano negativamente le prestazioni di pescaggio.

Rulli di uscita (x2)

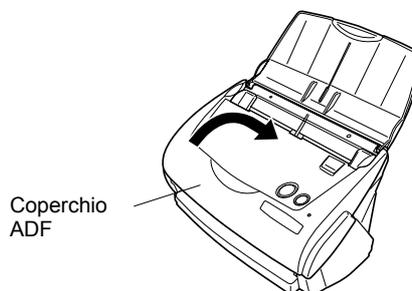
Pulirli con delicatezza facendo attenzione a non indurirne la superficie. Fare particolare attenzione nella pulizia dei rulli di uscita, in quanto rimasugli neri sul rullo influenzano negativamente le prestazioni di presa.

Per ruotare i rulli di alimentazione e i rulli di uscita, continuare a premere il tasto [POWER] mentre si tiene premuto il tasto [SCAN]. I rulli ruotano fino a che si tengono premuti i due tasti. (Se si preme il tasto [POWER] per sei volte, i rulli fanno un solo giro.)



Connettere l'adattatore AC e il cavo AC solo quando si puliscono i rulli di uscita.

3. Chiudere il coperchio dell'ADF.



Quando l'ADF è ritornato nella sua posizione originale, assicurarsi che sia completamente chiuso. Altrimenti, l'inceppamento della carta o problemi di alimentazione possono accadere.

5.4. Pulire il Trasporto Fogli

Quando si usa continuamente il Trasporto Fogli, sporco e polvere possono intaccare la sua superficie esterna ed interna.

Pulirla regolarmente, in quanto potrebbe provocare errori di scansione.

<Metodo di pulizia>

Usare un panno asciutto e pulito, o un panno morbido inumidito con il detergente F1 o un detergente leggero per poi pulirlo delicatamente la superficie da sporcizia o polvere.



- Non usare mai il solvente per la vernice o solventi organici.
- Non strusciare il panno troppo forte sulla superficie, altrimenti il trasporto si può rovinare o deformare.
- Dopo aver pulito anche la parte interna del Trasporto Fogli con il detergente F1 o un detergente leggero, chiudere il Trasporto fogli una volta asciutto.
- Come linee guida, è raccomandato cambiare il Trasporto fogli ogni 500 scansioni. Per i dettagli su dove acquistare il Trasporto fogli fare riferimento a "6.4 Acquistare il Trasporto Fogli"

6. Sostituire i materiali di consumo e alcune Parti regolari

Questo capitolo descrive come sostituire e acquistare i materiali di consumo e alcune parti regolari.



Incendio/Shock elettrico

Prima di sostituire i materiali di consumo nello scanner, scollegare l'alimentatore e spegnere lo scanner.

6.1. Numeri delle parti e Ciclo di sostituzione dei materiali di consumo

La tabella seguente riporta i codici delle parti dei materiali di consumo con una indicazione di massima per la sostituzione di queste parti.

| No. | Descrizione | P/N | Ciclo di sostituzione |
|-----|----------------------------------|--------------|-------------------------|
| 1 | fi-5110EOX Separatore fogli | PA03360-0002 | 50,000 fogli o un anno |
| 2 | fi-5110EOX Rullo di pescaggio | PA03360-0001 | 100,000 fogli o un anno |

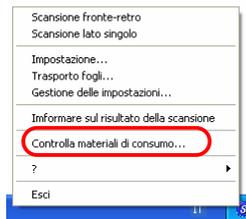
Questi cicli di sostituzione sono indicazioni di massima quando viene scansionata carta formato A4/libera da legno, 64 g/m² (17 lb). I cicli attuali possono essere diversi a seconda della carta scansionata.

Usare solo materiali di consumo specificati da PFU LIMITED.

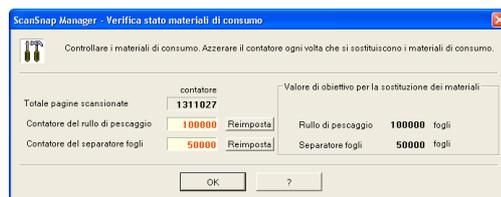


Per valutare quando i materiali di consumo devono essere sostituiti e per dare uno sguardo generale sulle pagine scansionate fino adesso fare riferimento ai seguenti punti:

- Fare click destro sull'icona "ScanSnap Manager"  sulla barra degli strumenti.
- Fare click sul menu [Controlla materiali di consumo...] che viene visualizzato.



⇒ La schermata [Verifica stato materiali di consumo] indica quante volte i materiali di consumo sono stati sostituiti.



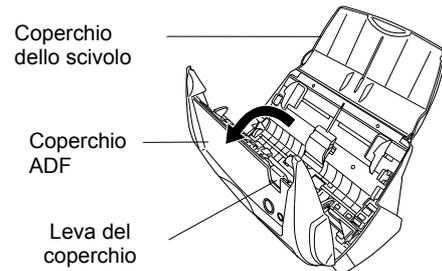
Sostituire i materiali di consumo usando "Valore obiettivo per la sostituzione dei materiali" come indicazione.

Per i dettagli sui materiali di consumo e come ottenerli, visitare il seguente sito Web o contattare il negozio dove avete comprato lo scanner.
[Website] <http://scansnap.fujitsu.com>

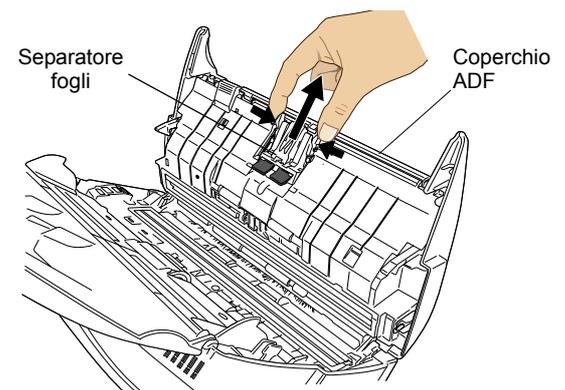
6.2. Sostituire il separatore fogli

Sostituire il separatore fogli seguendo questa procedura.

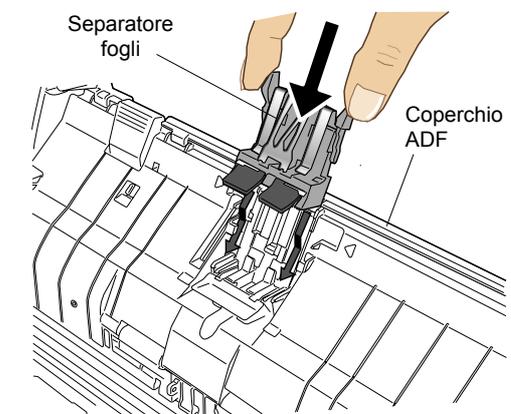
- Quindi rimuovere i documenti incagliati dal percorso della carta.
- Aprire l'ADF mentre sollevate la leva di apertura della copertura.



- Rimuovere il separatore fogli Tirare fuori il separatore fogli nella direzione della freccia mentre si tiene l'estremità del separatore fogli.

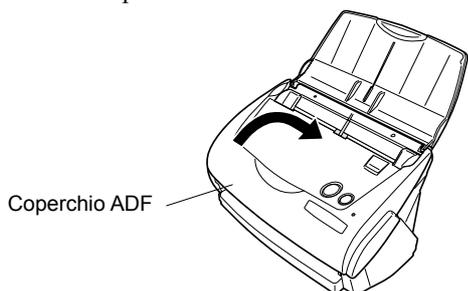


- Attaccare un nuovo separatore fogli.



Assicurarsi che il separatore fogli sia completamente attaccato. Altrimenti, inceppamenti della carta o errori di alimentazione possono accadere.

5. Chiudere il coperchio dell'ADF



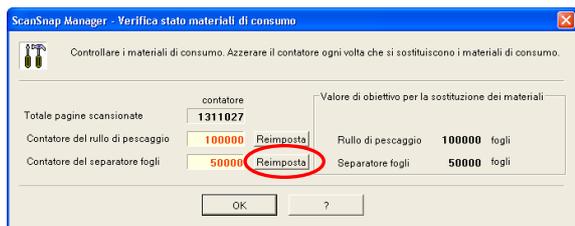
⇒ Dovreste sentire il click dell'ADF quando ritorna nella sua posizione originale.

6. Accendere lo scanner.

⇒ L'icona ScanSnap Manager cambia da a .

7. Fare click destro sull'icona "ScanSnap Manager" sulla barra degli strumenti, e selezionare dal menu [Controlla materiale di consumo].

8. Nella finestra "Controlla materiale di consumo", fare click sul tasto [Reimposta] del "Separatore fogli".

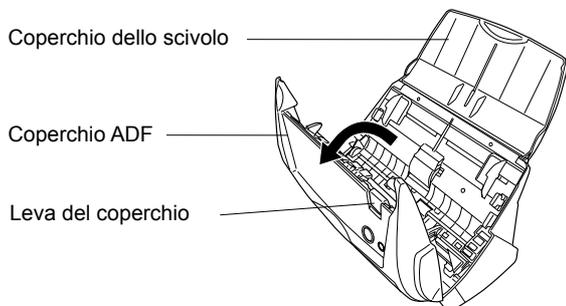


⇒ Il contatore è ripristinato a "0".

6.3. Sostituire il rullo di pescaggio

Sostituire il rullo di pescaggio con la seguente procedura.

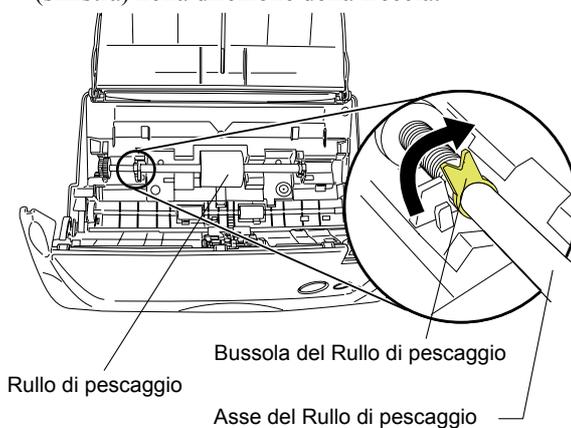
1. Rimuovere qualsiasi documento che si trovi sullo scivolo di alimentazione ADF.
2. Aprire l'ADF mentre sollevate la leva di apertura della copertura



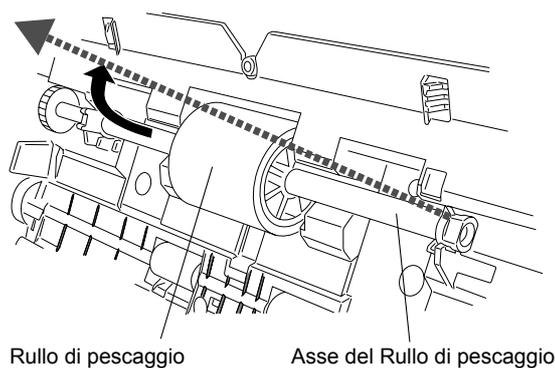
3. Rimuovere il foglio di guida. Afferrare la maniglia sul foglio di guida e rimuoverla.



4. Ruotare la bussola del rullo di pescaggio girando (sinistra) nella direzione della freccia.

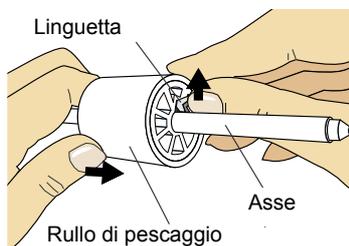


5. Rimuovere il rullo di pescaggio con la sua asse. Rimuovere il rullo di pescaggio mentre si solleva su nella direzione della freccia.

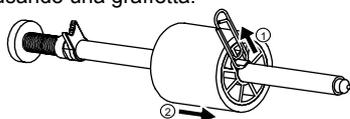


Se la superficie del rullo di pescaggio è sporca di polvere di carta, può accadere un errore di scansione. Rimuovere lo sporco usando un panno asciutto con un po' di Detergente F1.
* Non usare acqua, né latte detergente o spray

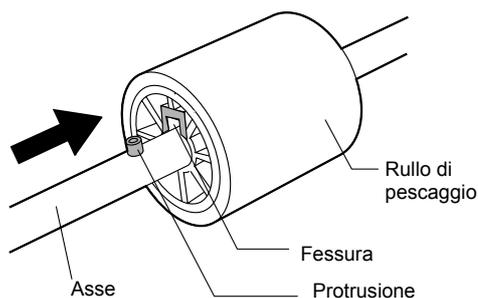
6. Rimuovere il rullo di pescaggio dall'asse.
Levare l'asse dal rullo di pescaggio tirando su la linguetta.



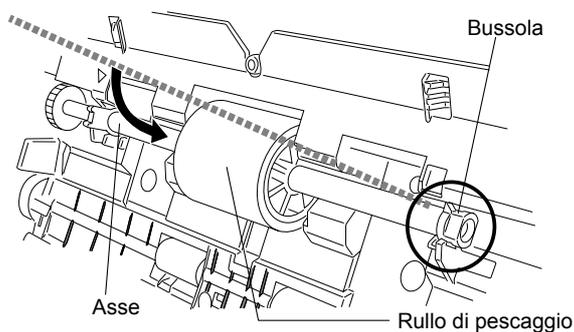
Se si preme su la linguetta del rullo di pescaggio usando le proprie unghie, si corre il rischio di ferirsi o spezzarsi l'unghia. Se si è preoccupati per ciò, premere su la linguetta usando una graffetta.



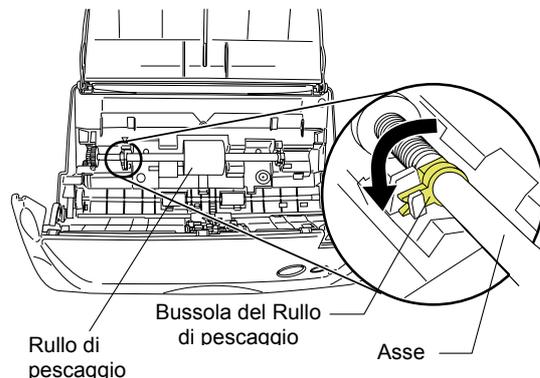
7. Attaccare un rullo di pescaggio all'asse.
Inserire la nuova asse allineando la protrusione alla fessura sul nuovo rullo di pescaggio.



8. Installare il rullo di pescaggio con la sua asse nella bussola. E impostare l'asse nelle fessure mentre si abbassa.

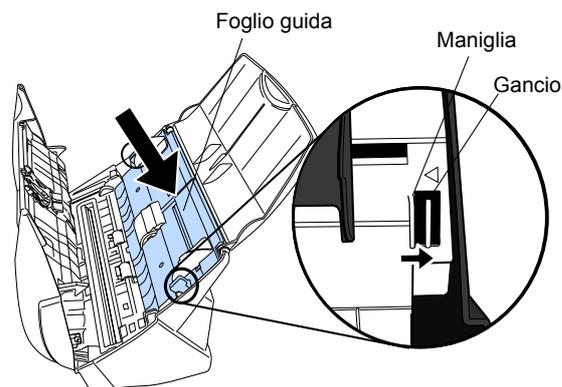


9. Fissare il rullo di pescaggio girando (Sinistra) ruotandolo nella direzione della freccia.



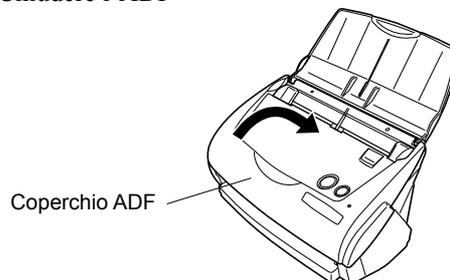
Assicurarsi che il rullo di pescaggio sia attaccato in modo appropriato. Altrimenti, inceppamenti della carta o errori di alimentazione possono accadere.

10. Attaccare il foglio di guida allo scanner.
Mentre si tiene la maniglia sul foglio di guida, impostare il foglio di guida allo scanner.



⇒ Dovreste sentire il click dell'ADF quando ritorna nella sua posizione originale.

11. Chiudere l'ADF



⇒ Dovreste sentire il click dell'ADF quando ritorna nella sua posizione originale.

12. Accendere lo scanner.

⇒ Fare click destro sull'icona "ScanSnap Manager" cambia da  a .

13. Fare click destro sull'icona "ScanSnap Manager"  sulla barra degli strumenti, e selezionare dal menu [Controlla materiali di consumo].
14. Nella finestra "Controlla i materiali di consumo", fare click sul tasto [Reimposta] del Rullo di pescaggio.



6.4. Acquistare il Trasporto Fogli

Se il "Trasporto Fogli" venduto insieme a questo prodotto non può essere usato per la scansione a causa di danneggiamento o consumo e strappi, si può acquistare separatamente.

Come Linee guida, è raccomandato sostituire il Trasporto Fogli ogni 500 scansioni.

Tuttavia cambia a seconda dell'uso. Se il il Trasporto è rovinato sostituirlo.

La descrizione del Trasporto Fogli (venduto anche separatamente) e il numero delle parti di ricambio sono i seguenti:

| Descrizioni | Quantità | P/N |
|---|----------|-------------|
| ScanSnap il Trasporto Fogli  | 5 pezzi | FI-511ES-WW |

P3PC-1142-01ES

Escáner de Imagen a Color

ScanSnap™

fi-5110EOX2

Comenzando



Léase esta guía antes de conectar el escáner a su ordenador.

FUJITSU

Contenidos

| | |
|--|-----------|
| Introducción | 1 |
| 1. Preparación | 5 |
| 1.1. Verificación del Contenido del Paquete | 5 |
| 1.2. Nombres y Funciones de Piezas | 5 |
| 2. Conexión de ScanSnap | 6 |
| 2.1. Instalación del Software..... | 6 |
| 2.1.1. Instalación de Adobe Acrobat 6.0 | 6 |
| 2.1.2. Instalación del ScanSnap Manager, ScanSnap Organizer, CardMinder y PDF Thumbnail View | 7 |
| 2.2. Conexión del Escáner | 7 |
| 2.2.1. Conexión del cable de AC | 7 |
| 2.2.2. Conexión del cable de USB..... | 8 |
| 3. Cómo Utilizar ScanSnap | 9 |
| 3.1. Digitalización de Documentos | 9 |
| 3.2. Acerca de las Configuraciones de Exploración..... | 9 |
| 3.3. Digitalización Documentos de Oficina | 9 |
| 3.4. Digitalización con el Portador de Hojas | 10 |
| 3.5. Digitalización las Tarjetas de Visita | 10 |
| 3.6. Acerca de PDF Thumbnail View | 11 |
| 3.7. ScanSnap Organizer | 11 |
| 4. Resolución de Problemas | 12 |
| 4.1. Lista de Control de la Resolución de Problemas..... | 12 |
| 4.2. Extracción de papeles atascados | 15 |
| 5. Cuidado Diario | 16 |
| 5.1. Artículos de limpieza..... | 16 |
| 5.2. Limpieza del Exterior del Escáner | 16 |
| 5.3. Limpieza del Interior del Escáner..... | 16 |
| 5.4. Limpieza del Portador de Hojas..... | 17 |
| 6. Reemplazo de los Consumibles / Portador de hojas | 18 |
| 6.1. N° de Pieza y Ciclo de Reemplazo de los Consumibles..... | 18 |
| 6.2. Reemplazo del Pad ASSY | 18 |
| 6.3. Reemplazo del Rodillo de Recogida..... | 19 |
| 6.4. Adquisición del Portador de Hojas | 21 |

Todos los Derechos Reservados. Copyright(c) PFU LIMITED 2005.

Los contenidos de este manual podrán ser sujetos a cambiar sin previo aviso.

Ninguna parte de este manual puede ser reproducida en cualquiera forma sin permiso.

LEÁSE TODO ESTE MANUAL CON CUIDADO ANTES DE UTILIZAR ESTE PRODUCTO. LA INCORRECTA UTILIZACIÓN PODRÁ OCASIONAR DAÑOS O LESIONES IMPREVISTAS A LOS USUARIOS O PERSONAS SITUADAS EN LAS CERCANÍAS DEL DISPOSITIVO.

Mientras todos los esfuerzos se han hecho para asegurarse la exactitud de toda la información en este manual, PFU LIMITED no asume ninguna responsabilidad a cualquier partido para cualquier daño causado por los errores o las omisiones o por las declaraciones de cualquier tipo en este manual, sus actualizaciones o suplementos, si tales errores son las omisiones o declaraciones resultando desde la negligencia, los accidentes, o otra causa.

Además, PFU LIMITED ni asume ninguna responsabilidad surgiendo de la aplicación o uso de cualquier producto o sistema descrito aquí; ni ninguna responsabilidad para los daños incidentales o consiguientes surgiendo del uso de este manual.

PFU LIMITED niega toda la garantía respecto a la información contenida aquí, si es expresado, implicado, o estatutario.

PFU LIMITED no asume ninguna responsabilidad por daños circunstanciales o consecuentes, derivados del uso de este producto, ni ninguna reclamación por parte de terceros.

Introducción

Gracias por comprar el Escáner de Imagen en Color Dúplex ScanSnap fi-5110EOX2.

ScanSnap fi-5110EOX2 es un escáner de imagen en color suministrado con aplicaciones de oficina. Es la Solución completa para su oficina, diseñada a mejorar su productividad y resolver sus problemas de exploración en la oficina. ScanSnap tiene las características siguientes.

- **¡Pulsando solamente un botón en el Escáner, podrá cambiar sus papeles a PDFs!**

Cambiándolos a formatos PDF, podrá ordenar, manejar y archivar en su ordenador los documentos que llenan y desordenan su escritorio. Podrá utilizar el software de Adobe® Acrobat® suministrado con este escáner para la visualización de estos documentos PDF.

ScanSnap también puede reconocer automáticamente el tipo y el color (a colores o en B/N) del documento en exploración. Esta función podrá reducir el tamaño de los archivos de las imágenes escaneadas cuando dichos documentos contengan una mezcla de páginas a colores y en B/N. También podrá reducir aún más el tamaño del archivo de la imagen al activar el modo automático de eliminación de páginas en blanco.

- **¡Exploración fácil!**

Trabajando con documentos A4 a colores o en tamaño Carta, la velocidad de exploración será de 15 hojas / minuto aproximadamente (valores estimados bajo las siguientes condiciones: PC tipo Intel® Pentium® 4 a 1.8GHz o superior, trabajando con Windows® 98, Windows® Me, Windows® 2000 ó Windows® XP, Modo de Exploración: Normal, Modo de Color: Auto, y Velocidad de Compresión: 3).

- **¡Poco espacio en la mesa!**

Debido a su pequeño tamaño, más pequeño que una hoja tamaño A4 ó Carta, podrá dejar el ScanSnap en su escritorio todo el tiempo.

- **¡Fácil creación de archivos para tarjetas de visita!**

Las tarjetas de visita pueden ser archivadas y buscadas fácilmente debido al uso de la función de OCR la cual utiliza el software "CardMinder™ for ScanSnap" suministrado con el escáner.

(*El escáner ScanSnap fi-5110EOX2, **NO** cumple con las normas de los estándares de **TWAIN** o **ISIS**.)

Fabricante

PFU LIMITED

International Sales Dept., Imaging Business Division,
Products Group

Solid Square East Tower, 580 Horikawa-cho, Saiwai-ku,
Kawasaki-shi Kanagawa 212-8563, Japan

Teléfono: +81 (44) 540-4538

Marcas

Microsoft y Windows son las marcas registradas de Microsoft Corporation en los Estados Unidos y/o otros países.

Adobe, el logotipo de Adobe, y Acrobat son las marcas

registradas de Adobe Systems Incorporated en los Estados Unidos y/o otros países.

ScanSnap, el logotipo de ScanSnap, y CardMinder son marcas de PFU LIMITED.

Los nombres de otros productos son las marcas o las marcas registradas de las respectivas compañías.

Cómo Las Marcas y Nombres de Productos Son Indicadas En Este Manual

ScanSnap: ScanSnap fi-5110EOX2

CardMinder: CardMinder™ 2.0

Las referencias a los sistemas operativos (OS) son indicadas de la siguiente manera:

Windows 98: Microsoft® Windows® 98 operating system.

Windows Me: Microsoft® Windows® Millennium Edition operatins system.

Windows 2000: Microsoft® Windows® 2000 Professional operating system.

Windows XP: Microsoft® Windows® XP Professional operating system, Microsoft® Windows® XP Home Edition operating system.

En donde no existan distinciones entre las diferentes versiones del sistema operativo, se utilizará el término general "Windows".

Adobe Acrobat 6.0: Adobe® Acrobat® 6.0 Standard
En donde no existan distinciones entre las diferentes versiones de la susodicha aplicación, se utilizará el término general "Adobe Acrobat".

■ ScanSnap y los Manuales

ScanSnap fi-5110EOX2 consiste en:

- 1) Escáner de Imagen a Color fi-5110EOX2.
- 2) Portador de hojas: Hoja de plástico en el cual podrá insertar documentos para su digitalización. Con este portador, podrá digitalizar documentos de tamaño grande tales como A3 / B4 / 11x17pul, y documentos de forma irregular tales como recortes de periódico, etc.
- 3) ScanSnap Manager: Programa controlador del ScaSnap para digitalizar y guardar documentos.
- 4) CardMinder: Software con motor OCR que permite capturar y manejar datos de tarjetas de visita, para ser usados en programas administradores de información personal tales como Microsoft® Outlook®.
- 5) Adobe® Acrobat®: Software estándar de De facto para generar y manipular documentos electrónicos de formato PDF.

Para una mayor aclaración podrá consultar los manuales siguientes:

ScanSnap fi-5110EOX2 Comenzando

(Este manual):

Proporciona información básica para la instalación y uso del ScanSnap.

ScanSnap fi-5110EOX2 Guía del Usuario

(Manual en formato PDF incluido en el Setup CD-ROM del ScanSnap):

Proporciona la información detallada sobre la instalación del software de ScanSnap y el hardware, la operación del hardware del escáner y el ScanSnap Manager.

CardMinder Guía del Usuario

(Manual en formato PDF incluido en el Setup CD-ROM del ScanSnap):

Proporciona la información detallada sobre la utilización de CardMinder.

ScanSnap Organizer Guía del Usuario

(Manual en formato PDF incluido en el Setup CD-ROM del ScanSnap):

Proporciona la información detallada sobre la utilización de CardMinder.

Para la información en cómo utilizar Adobe Acrobat, consulte la "Ayuda de Adobe Acrobat".

■ Información de Regulación

Declaración de FCC

This equipment has been tested and found to comply with the limits for a Class B digital device, pursuant to Part 15 of the FCC Rules. These limits are designed to provide reasonable protection against harmful interference in a residential installation. This equipment generates, uses, and can radiate radio frequency energy and, if not installed and used in accordance with the instruction manual, may cause harmful interference to radio communications. However, there is no guarantee that interference will not occur in a particular installation. If this equipment does cause harmful interference to radio or television reception, which can be determined by turning the equipment off and on, the user is encouraged to try to correct the interference by one or more of the following measures:

- Reorient or relocate the receiving antenna.
- Increase separation between equipment and receiver.
- Connect equipment to an outlet on a circuit different from that to which the receiver is located.
- Consult your dealer or an experienced radio/TV technician.



Cambios o modificaciones a este equipo sin la autorización expresada por el partido responsable a dichas acciones, podría anular la autoridad del usuario para operarlo.



Para cumplir con los límites del apartado 15 de las normas del FCC de la clase B, se requiere el uso del cable de interfaz USB y del cable de AC.

Regulaciones Canadienses DOC

This digital apparatus does not exceed the Class B limit for radio noise emissions from digital apparatus set out in the Radio interference Regulations of the Canadian Department of Communications.

This Class B digital apparatus complies with Canadian ICES-003.

Le présent appareil numérique n'émet pas de bruits radioélectriques dépassant les limites applicables aux appareils numériques de la classe B prescrites dans le Règlement sur le brouillage radioélectrique dicté par le ministère des Communications du Canada.

Cet appareil numérique de la classe B est conforme à la norme NMB-003 du Canada.

Bescheinigung des Herstellers / Importeurs

Für den fi-5110EOX2 wird folgendes bescheinigt:

- In Übereinstimmung mit den Bestimmungen der EN45014(CE) funktentstört
- Maschinenlärminformationsverordnung 3. GPSGV, 06.01.2004: Der höchste Schalldruckpegel beträgt 70 dB (A) oder weniger, gemäß EN ISO 7779.

Programa Internacional de ENERGY STAR®

Como un asociado de ENERGY STAR®, PFU LIMITED ha determinado que este producto corresponde a las pautas de ENERGY STAR® para la eficiencia de energía.



El Programa de Equipo de Oficina de ENERGY STAR® Internacional es un programa internacional que promueve el ahorro de energía mediante la penetración de los ordenadores eficientes de energía y otros equipos de oficina. El programa apoya el desarrollo y la diseminación de productos con las funciones que reduce eficazmente el consumo de energía. Es un sistema abierto en el cual los propietarios comerciales pueden participar voluntariamente. Este programa es dirigido a equipos de oficina tales como los ordenadores, monitores, impresoras, facsímiles, copiadoras, escáneres, y dispositivos de multifunción. Sus estándares y logotipos (Energy Star) son uniformes entre las naciones participadas.

Uso en Entornos de Alta Seguridad

Este producto ha sido diseñado, desarrollado y fabricado para un uso general asumiendo la utilización en entornos de oficina, personales, domésticas, industriales regulares y de general-intención. NO ha sido diseñado, desarrollado ni fabricado para la utilización en entornos que impliquen grandes riesgos potenciales a la vida y la salud cuando un grado extremadamente alto de seguridad es requerido, y que, si no son tomadas, pudieran ocasionar

lesiones, daños físicos, pérdidas similares o incluso la muerte (llamado de aquí en adelante simplemente como "Utilización en Entornos de Alta Seguridad"). Dichos entornos incluyen, sin limitaciones: Control de reactores de energía nuclear, control automático de vuelo de aeronaves, control de tráfico aéreo, control operativo en los sistemas del transporte de masa, equipo médico para la vida sustentada, y el control de lanzamiento de armas, cuando provisionalmente la seguridad en cuestión no es asegurada. El usuario debe de utilizar este producto adoptando las medidas para asegurar la seguridad en tales entornos de alta seguridad. PFU LIMITED no asume ninguna responsabilidad en absoluto para los daños surgiendo del uso de este producto por el usuario en los Entornos de Alta-Seguridad, y para cualquiera reclamación o indemnización de los daños por el usuario o un tercero.

Acerca del uso de mercurio



La(s) Lámpara(s) dentro de este producto contiene(n) mercurio y deberá(n) ser reciclada(s) o desechada(s) de acuerdo con las disposiciones gubernamentales.

Para evitar heridas inesperadas, léase el siguiente apartado con atención.

Hacer algunas de las siguientes acciones podría provocar graves heridas personales:

- No ponga sustancia de la lámpara en su boca, porque contiene mercurio.
- No incinere, aplaste, o destruya el escáner.
- No respire el líquido químico contenido en las piezas del escáner.

■ Indicaciones

Indicaciones de Advertencia Utilizadas En Este Manual



Esta indicación alerta a los operadores a una operación que, si no es observado estrictamente, podría provocar graves heridas o incluso la muerte.



Esta indicación alerta a los operadores de una operación que, si no es estrictamente observada, podría causar peligro sobre la seguridad al personal o provocar algún daño en el equipo.

Símbolos Utilizados En Este Manual

En este manual, los siguientes símbolos son utilizados adicionalmente a las indicaciones de precaución y advertencia.



Este símbolo alerta a los operadores de la información particularmente importante. Asegúrese de leer esta información.



Este símbolo alerta a los operadores de los consejos útiles con respecto a la operación.



Un símbolo de TRIÁNGULO indica que se ha de tener cuidado y atención.

El dibujo dentro del triángulo muestra la precaución específica.



UN CÍRCULO con una línea diagonal interior muestra una acción específica NO permitida a los usuarios.

El dibujo interior o debajo del círculo muestra la acción específica que no es permitido.



Los caracteres perfilados con un fondo de color, muestran las instrucciones que los usuarios deben seguir.

Un dibujo que muestra la instrucción específica podría estar incluido.

Etiquetas de Advertencia

Este producto presenta la siguiente etiqueta de advertencia.



Los alrededores del área en donde se halla ésta etiqueta podrían estar muy calientes. Tenga mucho cuidado de no sufrir quemaduras.



NO manche, borre o raspe, o quite del escáner las etiquetas de advertencia.

Pantallas Utilizadas en los Ejemplos de Este Manual

Las pantallas en los ejemplos en este manual están sujetas a cambios sin previo aviso con el interés del mejoramiento del producto.

Si la actual pantalla visualizada es diferente a las pantallas en este manual, opere siguiendo la actual pantalla visualizada.

Además, las capturas de pantalla en este manual fueron tomadas con el ScanSnap Manager, CardMinder, ScanSnap Organizer, PDF Thumbnail View y Adobe Acrobat

Acerca del Mantenimiento

El usuario no debe de ejecutar reparaciones en este escáner.

Póngase en contacto con la tienda donde compró el escáner o un distribuidor autorizado de servicio de Escáner de Imagen de FUJITSU para hacer las reparaciones de este producto.

■ Precauciones de Seguridad

SIGA ESTAS INSTRUCCIONES Y ASEGÚRESE DE PRESTAR ATENCIÓN A TODAS LAS ADVERTENCIAS Y PRECAUCIONES DESCRITAS A CONTINUACIÓN.



No toque el enchufe de alimentación con las manos húmedas. El hacerlo, podrá causar una descarga eléctrica.



Un cable de Alimentación AC dañado podría causar fuego o una descarga eléctrica.

No tire, gire, caliente, dañe, modifique ni coloque objetos sobre los cables de AC.

Tampoco NO utilice cables de AC o enchufes de alimentación que se encuentren dañados, ni cables de AC o enchufes de alimentación cuando la toma de corriente de pared esté suelta (o floja).



Utilice sólo los cables de AC y de conexión suministrados con este producto. El no utilizarlos, podría causar descargas eléctricas y el posible deterioro del equipo.

No utilice los cables suministrados con este escáner en otros aparatos; esto podría dañar dicho aparato y ocasionar una descarga eléctrica.



Utilice este escáner sólo con el voltaje y corriente de alimentación indicada. Un voltaje y corriente de alimentación Impropia pueda provocar fuego o una descarga eléctrica.

Evite en conectarlo en alimentadores múltiples.



Limpie el polvo de las partes metálicas en el enchufe de alimentación u otros accesorios metálicos, usando un paño suave y seco. El polvo acumulado podría causar fuego o Descargas eléctricas.



No instale el escáner en zonas cercanas a fuentes de calor, vapor, humedad o de polvo. El hacerlo, podría causar fuego o Descarga eléctrica.



Si detecta calor proveniente del dispositivo o detecta algún otro problema como humo, olores extraños, ruidos raros, etc., apague inmediatamente el escáner y desenchúfelo de la toma de corriente.

Asegúrese que el humo haya cesado, y luego contacte con el distribuidor donde adquirió el escáner o un centro autorizado de servicios técnicos de escáner de FUJITSU.



Si el escáner esta dañado por cualquier razón, apague el escáner y desenchufe el cable de alimentación antes de contactar con el distribuidor donde adquirió el escáner.



No inserte o deje caer objetos metálicos en el escáner.
No escanee documentos húmedos o documentos con Clips o Grapas.
No salpique o permita que el escáner se moje.



Si algún objeto extraño (agua, pequeños objetos metálicos, líquidos, etc.) entra en el escáner, apáguelo de inmediato y desconéctelo del enchufe de alimentación, luego contacte con el distribuidor donde adquirió el escáner o el Centro de Servicios de Mantenimiento. Preste especial atención en lugares donde haya niños pequeños.



No desmonte o modifique el escáner. El interior de éste contiene componentes de alto voltaje. Tocar estos componentes podrá causar fuego o Descargas eléctricas.



El siguiente describe las precauciones importantes.



Instale el escáner en una mesa, en la cual ninguna parte del escáner sobresalga de dicha mesa. Para un correcto funcionamiento, verifique que el escáner esté instalado sobre una superficie plana.



No instale el escáner en superficies inestables. Instale el escáner en una superficie plana que sea libre de vibraciones para evitar su caída.
Instale el escáner en una superficie fuerte que soporte su peso y el de otros dispositivos.



Enchufe firmemente el cable de alimentación en la salida de alimentación para que no se pueda soltar.



Instale el escáner fuera de campos magnéticos fuertes y de otras fuentes de interferencia eléctrica. Además, proteja el escáner de la electricidad estática, la cual pueda causar al escáner un mal funcionamiento.



No utilice pulverizadores de aerosoles para limpiar el escáner. Los pulverizadores provocan el ingreso del polvo en el escáner, ocasionando un mal funcionamiento de éste.



Cuando no utilice el escáner durante un largo período, por su seguridad, asegúrese de desenchufarlo de la toma de corriente eléctrica.



No instale el escáner exponiéndolo directamente a la luz solar o cerca de fuentes de calor. El hacerlo, podría provocar un exceso de calor que origine fuego o un mal funcionamiento de éste. Para evitar estos problemas Instale el escáner en un lugar suficientemente ventilado.



No bloquee las salidas de ventilación. El Bloqueo de las salidas de ventilación origina calor en el interior del escáner, el cual podría provocar fuego o un mal funcionamiento.



No coloque objetos pesados en el escáner o utilice la parte superior del escáner para colocar otros elementos. Una instalación inapropiada podría provocar accidentes.



No mueva el escáner con los cables de alimentación y de interfaz conectadas debido a que este podría dañar los cables, causando el fuego, descarga eléctrica o heridas. Antes de mover el escáner, asegúrese de desenchufar el cable de alimentación y desconectar los cables de interfaz conectados. Además, asegúrese que el suelo esté libre de obstáculos.



Evite tocar cualquier mecanismo del escáner cuando está escaneando porque este puede causarle alguna herida.



No utilice el escáner inmediatamente después de haberlo movido desde un lugar frío a uno caliente. El hacerlo podría causar condensación, la cual podría ocasionar errores de digitalización. Antes de utilizarlo, déjelo reposar por 1 ó 2 horas.

1. Preparación

Este capítulo describe las preparaciones que debe hacer antes de empezar a utilizar ScanSnap.



No conecte el escáner a su ordenador antes de instalar el "ScanSnap Manager". El hacerlo, el escáner funcionará incorrectamente. Consulte el Capítulo 2 para la instalación del ScanSnap Manager.

1.1. Verificación del Contenido del Paquete

Cuando desembale el paquete del escáner, asegúrese que todos elementos están incluidos comprobando mediante la lista de contenidos, incluida en el paquete.

1.2. Nombres y Funciones de Piezas

Esta sección describe los nombres de piezas y sus funciones.

■ Lado Frontal

Tapa de la Bandeja de Entrada

Abra esta cubierta cuando utilice el escáner.

→ La apertura de la cubierta encenderá el escáner

Cubierta ADF

(ADF (por sus siglas en inglés): Alimentador Automático de Documentos)

Bandeja de Salida

Coloque el escáner alineando las dos protuberancias frontales a los orificios en la parte inferior del escáner.

Palanca de Apertura de Cubierta

Tirar de esta palanca para abrir la Cubierta ADF.

Tapa de la Bandeja de Entrada

Abra esta tapa y coloque los documentos aquí cuando realice una digitalización.

Guías Laterales

Ajuste estas guías al ancho del documento para prevenir imágenes torcidas.



Bandeja de Salida

Para el uso de esta bandeja, despléguelo de la manera mostrada en la figura.

→ Los documentos serán expulsados del ADF a ésta bandeja.

* También podrá utilizar el escáner sin la Bandeja de Salida

■ Botones



Botón [SCAN]

Inicia la digitalización.

Botón [POWER]

Enciende y apaga el escáner.

Lámpara de Encendido

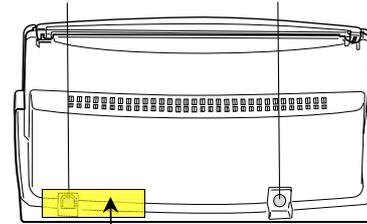
Indica el estado del escáner.

Verde :Listo
Verde(Parpadeando):Digitalizando
Naranja :Error
NO ilumina :Apagado

■ Lado Posterior

Conector USB

Conector del adaptador de AC



Etiqueta: Después de haber instalado el ScanSnap Manager a su ordenador, quite esta etiqueta para conectar el escáner a su ordenador.



Para la Especificación de documentos, consulte la "Guía del Usuario del ScanSnap fi-5110EOX2" almacenada en Setup CD-ROM del ScanSnap.



El escáner se enciende y apaga automáticamente al abrir/ cerrar la tapa de la Bandeja de Entrada. Para apagar el escáner con la Bandeja de Entrada abierta, pulse el botón [POWER].

2. Conexión de ScanSnap

Este capítulo describe cómo conectar ScanSnap a su ordenador.

2.1. Instalación del Software

Antes de conectar el escáner a su ordenador, primero instale los siguientes programas.

- ① Adobe Acrobat 6.0 (Aplicación)
- ② ScanSnap Manger (Controlador)
- ③ ScanSnap Organizer (Aplicación)
- ④ CardMinder (Aplicación)
- ⑤ PDF Thumbnail View (Aplicación)



- **Asegúrese de instalar el "ScanSnap Manager" antes de conectar el escáner a su ordenador.**

Si el escáner está conectado antes de instalar el ScanSnap Manager, el "Asistente para hardware nuevo encontrado" aparecerá (el nombre del asistente varía de acuerdo al OS). En este caso, haga clic en el botón de [Cancelar] para cerrar el Asistente.

- NO es posible tener conectado simultáneamente a un ordenador el escáner ScanSnap fi-5110EOX2 y fi-4110EOX (ó 2 ó más escáneres fi-5110EOX2).
- Si ya tiene instalado algún controlador de la serie ScanSnap fi-4110EOX2 o fi-5110EOX en su ordenador, desinstálelo antes de empezar la instalación.

- Cuando utiliza Windows 2000 o Windows XP, entre en el sistema como un usuario con privilegios de administrador.

- Los requisitos del sistema para Scansnap fi-5110EOX2 son los siguientes:

CPU: Intel® Pentium® III 600MHz o más avanzado (Se recomienda Intel® Pentium® 4 1.8GHz o más avanzado)

Memoria: 128MB RAM (Mayor o igual a 256MB es recomendado)

*La velocidad de digitalización disminuirá, si el CPU y la memoria no cumplen con los requisitos recomendados en los paréntesis y si la versión de USB es 1.1.



El ScanSnap Manager tiene incluido el controlador para ScanSnap fi-4140EOX3 y fi-5110EOX. Por lo tanto también podrá conectar cualquiera de los siguientes en su ordenador: fi-5110EOX2 (este producto), ScanSnap fi-4110EOX3, o ScanSnap fi-5110EOX.

* NOTA: NO es posible tener conectado simultáneamente a un ordenador el escáner ScanSnap fi-5110EOX2, fi-5110EOX y fi-4110EOX.

2.1.1. Instalación de Adobe Acrobat 6.0

Prepare el CD-ROM de Adobe Acrobat 6.0.



Adobe Acrobat 6.0 NO es disponible para Windows 98 y Windows Me.
(A excepción de Windows 98 Second Edition)

1. Inserte el "CD-ROM de Adobe Acrobat 6.0" en la unidad de CD.
⇒ Aparecerá la ventana "Reproducción automática de Adobe Acrobat 6.0".



Esta ventana no será visualizada automáticamente cuando la configuración de "Autoplay" de su ordenador esté desactivada. En este caso, ejecute "AutoPlay.exe" directamente de este CD-ROM mediante "Explorador" o "Mi PC".

2. Seleccione [Instalar] y haga clic en el botón [Instalar Adobe Acrobat 6.0 Standard].



3. Haga clic en el botón [Siguiente>].



⇒ La instalación se inicia y la ventana de instalación aparece.

4. Siga las instrucciones en la pantalla de instalación.



Haga clic en el botón de [Antes de instalar] en la ventana de [Reproducción automática de Adobe Acrobat 6.0] para aprender más sobre la instalación de Adobe Acrobat 6.0. Consulte la "Ayuda de Adobe Acrobat" sobre cómo utilizar Adobe Acrobat 6.0.

2.1.2. Instalación del ScanSnap Manager, ScanSnap Organizer, CardMinder y PDF Thumbnail View

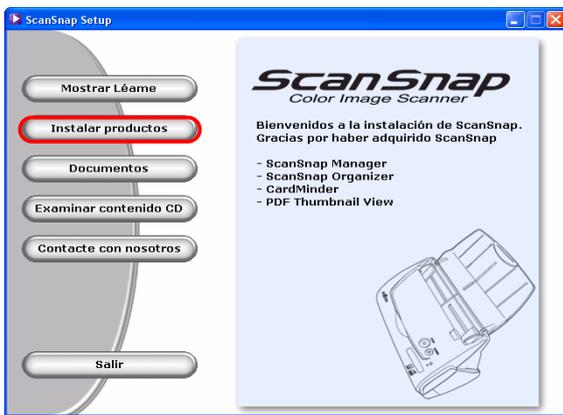
Prepare el Setup CD-ROM del ScanSnap.

1. Inserte el Setup CD-ROM del ScanSnap en la unidad de CD.
⇒ La ventana de instalación aparecerá.



Esta ventana no será visualizada automáticamente cuando la configuración de "Autoplay" de su ordenador esté desactivada. En este caso, ejecute "Setup.exe" directamente en este CD-ROM mediante "Explorar" o "Mi PC".

2. Haga clic en el botón de [Instalar Productos].

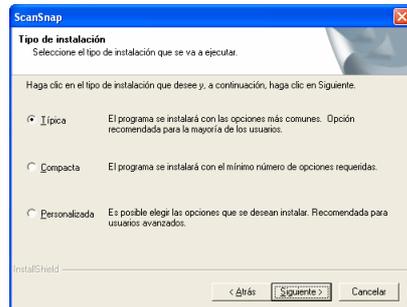


⇒ La instalación del ScanSnap Manager, ScanSnap Organizer, CardMinder y PDF Thumbnail View se iniciarán, y la ventana asistente aparecerá.

3. La ventana de instalación aparecerá. Siga las instrucciones de la ventana para la instalación de los programas.



La siguiente ventana aparecerá durante la instalación.



[Típica] <Recomendada>
"ScanSnap Manager", "ScanSnap Organizer", "CardMinder" y "PDF Thumbnail View" son instalados incluyendo sus manuales.

[Compacta]
"ScanSnap Manager" es instalada con su manual.

[Personalizada]
Podrá seleccionar el software y el manual que desee instalar.

(Cuando realice una re-instalación, las siguientes 2 ventanas no aparecerán)

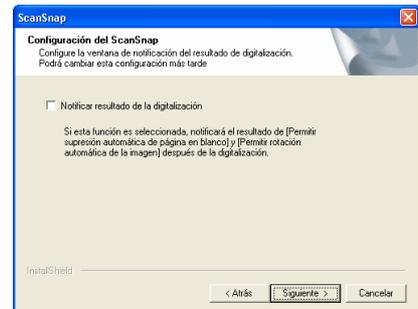


[Coloque el documento boca abajo (Recomendado)]

Ajuste para colocar el documento con cara y cabeza abajo.

[Coloque el documento cara arriba]

Ajuste para colocar el documento con cara y cabeza arriba. (Nota: este ajuste podrá ser configurado después de la instalación.)



Aquí se especifica la configuración para realizar "Notificar resultado de la digitalización".

Si selecciona esta casilla, la ventana de notificación de la realización de las configuraciones siguientes aparecerá:

- Permitir supresión automática de página en blanco
- Permitir rotación automática de imagen

4. Cuando la instalación haya terminado, reinicie su ordenador.



Consulte la "Guía del Usuario del ScanSnap" para aprender más acerca del ScanSnap Manager o la instalación del CardMinder.

2.2. Conexión del Escáner

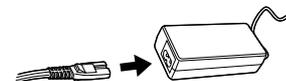
Conecte el escáner después de re-iniciar el ordenador.

2.2.1. Conexión del cable de AC

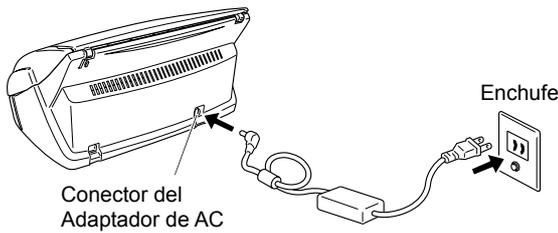


No utilice otros cables de los suministrados con este producto. Utilice sólo los cables de AC y de conexión especificados.

1. Conecte el cable de AC con el adaptador de AC.



2. Inserte el adaptador de AC al conector del adaptador del escáner y el cable de AC en el enchufe.



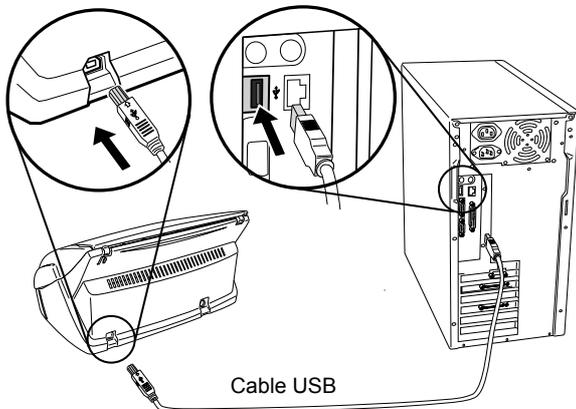
2.2.2. Conexión del cable de USB

Utilice el siguiente procedimiento para conectar el cable de USB.



- Use el cable USB suministrado con este escáner. NO se garantiza la operación con otros cables USB disponibles en el mercado.
- Cuando conecta el escáner a un concentrador ("Hub") de USB, asegúrese de conectarlo al concentrador más cercano (primera etapa) a su ordenador. Si lo conecta a un concentrador de USB desde la segunda etapa hacia adelante, el ScanSnap podría funcionar incorrectamente.

1. Quite la etiqueta engomada que cubre el conector USB.
2. Conecte el cable de USB al escáner y el otro extremo a su ordenador.



3. Abra la tapa de la Bandeja de entrada del escáner.



Si el escáner no se enciende automáticamente, pulse el botón [POWER] en el escáner.

⇒ Su ordenador detectará el escáner automáticamente.

En caso de Windows 98

Habrà una petición para insertar un disco. Cuando este ocurra, inserte el CD-ROM de Windows 98 en la unidad de CD. Y luego haga clic el botón de [ACEPTAR].

En caso de Windows Me

El nuevo hardware es detectado y la instalación será completada automáticamente.

En caso de Windows 2000

Cuando aparece [Firma digital no encontrada], haga clic el botón de [Sí].

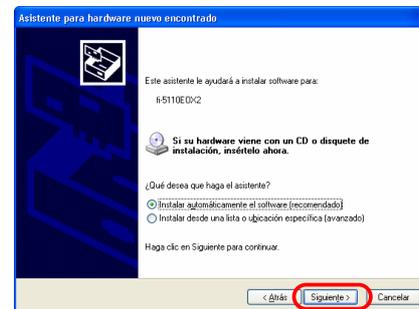
En caso de Windows XP

- 1) Cuando aparece [Asistente para hardware nuevo encontrado], seleccione "No por el momento" y haga clic en el botón de [Siguiente >].



(Esta pantalla solo se visualizará si Service Pack 2 esté instalado)

- 2) En la siguiente ventana haga clic en el botón de [Siguiente >].



- 3) Cuando aparece [Instalación de hardware], haga clic el botón de [Continuar].



"Asistente para hardware nuevo encontrado" aparecerá.

- 4) Cuando la instalación se termine, haga clic en el botón [Finalizar].

La instalación de ScanSnap ha sido completa.



El icono del "ScanSnap Manager" en la bandeja de tareas se visualiza como .

Cuando el icono permanece como , pulse el botón [POWER] para apagar el escáner y vuelva a encenderlo pulsando una vez más el botón [POWER]. (Espere 5 segundos como mínimo antes de re-encender el escáner.)



Para apagar / encender el escáner mediante el botón [POWER]. Presiónelo por más de 1 segundo.

*Para prevenir errores, el botón [POWER] no funcionará si no es pulsado por más de 1 segundo.

3. Cómo Utilizar ScanSnap

Este capítulo describe la operación básica de ScanSnap.

3.1. Digitalización de Documentos

Con el "ScanSnap" podrá transformar sus documentos, en su escritorio, de papel a archivos digitales y guardarlos con sólo pulsar un botón. La imagen digitalizada podrá verse en la pantalla utilizando las aplicaciones suministradas (Adobe Acrobat, CardMinder).

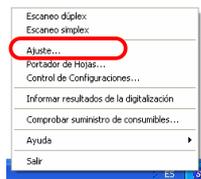
Las 2 formas típicas de uso son:

1. Crear copias de seguridad (backup) digital de los documentos generales de oficina en forma de archivo PDF. Podrán ser vistos o editados utilizando "Adobe Acrobat". Adobe Acrobat le permite utilizar información digitalizada en su totalidad con el uso de la función OCR (Reconocimiento Óptico de Caracteres) para el reconocimiento del texto en la imagen, función de seguridad para configurar contraseñas, etc. (Nota: Para obtener información acerca del uso de Adobe Acrobat, consulte la [Ayuda] del Adobe Acrobat.)
2. Escanear y manejar las tarjetas de visita. Con "CardMinder", podrá escanear, reconocer, editar las tarjetas de visita, y exportar el dato para una aplicación popular de información personal tal como Outlook.

3.2. Acerca de las Configuraciones de Exploración

Podrá cambiar las configuraciones de ScanSnap utilizando el "ScanSnap Manager".

1. Haga clic con el botón derecho del ratón en el icono "ScanSnap Manager" situado en la bandeja de tareas y seleccione [Ajuste ...] desde el siguiente menú.



⇒ La ventana de "Escanear y guardar configuración" aparecerá.

2. Cambie las configuraciones de exploración en la ventana de "Escanear y guardar configuración".



Existen 6 fichas para configurar el escaneo:

[Aplicación]

Selecciona la aplicación para visualizar /editar imágenes digitalizadas.

[Guardar en]

Especifica la carpeta y el nombre de archivo para guardar las imágenes digitalizadas.

[Modo de escaneo]

Especifica la calidad de la imagen escaneada.

[Tipo de archivo]

Selecciona el tipo del archivo (PDF, JPEG) para las imágenes digitalizadas.

[Tamaño de papel]

Selecciona el tamaño del documento a escanear.

[Compresión]

Selecciona la velocidad de compresión del archivo.

SUGERENCIA



Véase la "Guía del Usuario del ScanSnap" en el "Setup CD-ROM" del ScanSnap para aprender más sobre estas configuraciones.

3. Haga clic el botón [ACEPTAR] para terminar la configuración.

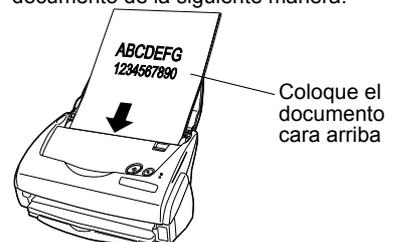
⇒ Las configuraciones nuevas serán activadas.

3.3. Digitalización Documentos de Oficina

1. Seleccione "Adobe Acrobat" situado debajo de [Aplicación] en "Escanear y Guardar las Configuraciones".
2. Coloque los documentos en el escáner.



En el paso 3 de la sección [2.1.2 Instalación del ScanSnap Manager, ScanSnap Organizer, CardMinder y PDF Thumbnail View], si ha seleccionado [Permitir que el documento sea digitalizado con la cara hacia arriba por el ADF], coloque el documento de la siguiente manera.



3. Pulse el botón [Scan] en el escáner.
 - ⇒ La digitalización se inicia.
 - ⇒ Cuando la digitalización haya terminado, Adobe Acrobat se iniciará y visualizará las imágenes escaneadas.



- También podrá utilizar otra aplicación para visualizar las imágenes escaneadas.
- Pulsando el botón [SCAN], los documentos serán digitalizados en el modo "Dúplex". Para digitalizar el documento en el modo "Simplex", cambie los ajustes mediante el ScanSnap Manager .
- ScanSnap puede escanear los documentos utilizando distintas configuraciones. Véase la "Guía del Usuario de ScanSnap" en el "Setup CD-ROM de ScanSnap" para aprender más sobre la digitalización de documentos.

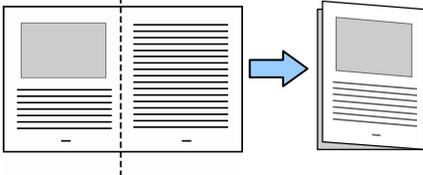
3.4. Digitalización con el Portador de Hojas

Con el Portador de hojas, podrá digitalizar documentos de tamaño grande tales como A3, B4 o 11 x 17pul, y documentos en forma irregular tales como recortes de periódicos, etc.

Como ejemplo, esta sección describe la digitalización de un documento de tamaño A3.

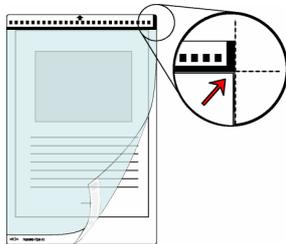
Para la digitalización de un documento tamaño A3, tendrá que doblarlo por la mitad y siga los pasos siguientes.

1. Doble la página por la mitad con la cara a escanear hacia fuera.
Doble la página manera que la parte doblada no se encuentre hinchada.



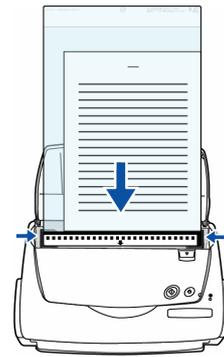
2. Abra el Portador de hojas e inserte el documento doblado.

Alinee el documento pegándolo al borde superior y el doblado del documento al borde derecho del Portador de hojas.



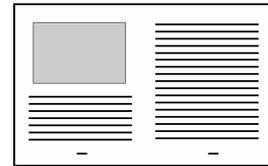
3. Coloque el Portador de hojas en el escáner.

- Coloque, el portador de hojas cara abajo (con el patrón blanco y negro en dirección al escáner) tal y como la flecha muestra.
- Cuando usa el portador de hojas, no podrá digitalizar varias hojas continuamente. Tendrá que digitalizar una hoja a la vez.



4. Pulse el botón [Scan] del escáner.

- ⇒ La imagen frontal y posterior del dato, en el modo [Creación de 2 páginas en una sola imagen], son juntadas en una sola imagen.



La colocación del documento y la configuración del ScanSnap Manager varían de acuerdo al documento a digitalizar. Para más detalles, consulte la "Guía del Usuario" en el "ScanSnap Setup CD-ROM".

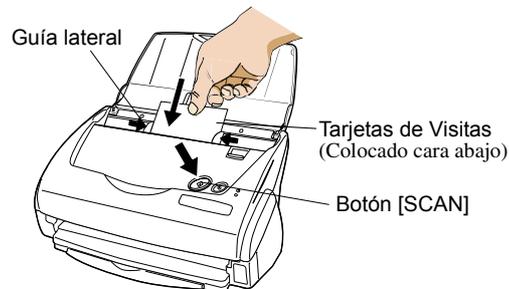
3.5. Digitalización las Tarjetas de Visita

1. Seleccione "CardMinder" situado debajo de [Aplicación] "Escanear y Guardar las Configuraciones".



- Cuando "CardMinder" esta seleccionado, solamente las funciones [Aplicación] y [Modo de escaneo] son activadas .
- Véase la "Guía del Usuario de ScanSnap" en el "Setup CD-ROM de ScanSnap" para aprender más sobre las configuraciones.

2. Coloque las tarjetas de visita en el escáner. Ajuste las guías laterales a la anchura de la tarjeta de visita.

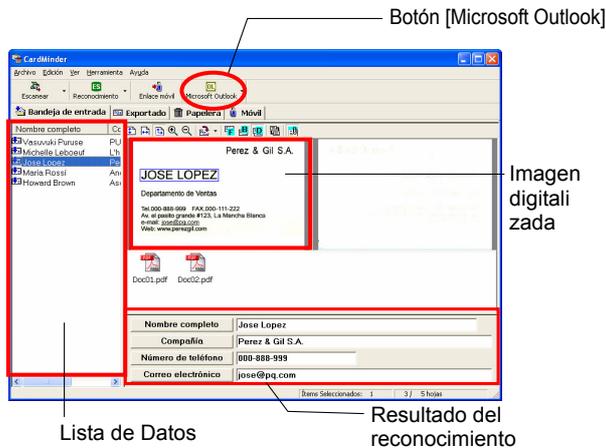


3. Pulse el botón [SCAN] del escáner.

- ⇒ La digitalización se inicia.

- ⇒ La ventana de "CardMinder" se abre, y los datos de caracteres reconocidos tales como, nombre, compañía, y dirección de correo electrónico, aparecen en la ventana.

- La siguiente ventana aparecerá. Seleccione una tarjeta de visita desde la lista de Datos. Examine el dato en el campo de resultado de Reconocimiento en esta ventana. Corrija el dato si encuentra un error de reconocimiento.



- Utilizando Outlook como ejemplo, después de verificar el dato obtenido de tarjetas, seleccione las tarjetas que desee exportar a Outlook. Haga clic el botón de [Microsoft Outlook] en la Barra de herramientas. El dato será exportado a Outlook.



Podrá enviar el dato (resultado del reconocimiento) a las aplicaciones siguientes:

- Microsoft® Outlook®
- Outlook Express
- ACT!™
- GoldMine®

O podrá guardar el dato en el formato de CSV para importar a otras aplicaciones, tales como Excel. Consulte la "Guía de Usuario de CardMinder" para obtener detalles.

- Inicie Outlook para confirmar los datos importados.
- Cuando desee salir de "CardMinder", seleccione [Salir] en el menú de [Archivo].



"CardMinder" también proporciona otras funciones. Consulte la "Guía de Usuario de CardMinder" en el "Setup CD-ROM de ScanSnap" para obtener más información.

3.6. Acerca de PDF Thumbnail View

"PDF Thumbnail View" es un programa que permite al Explorador de Windows visualizar miniaturas de archivos PDF.

Este programa estará desactivado por defecto. (*Este programa es instalado solo en los OS Windows 2000 ó Windows XP.)

Activando PDF Thumbnail View

- En el menú de [Inicio], seleccione [Programas] - [PDF Thumbnail View] - [Herramienta de Configuración].
- Seleccione "Habilitar" y haga clic el botón de [Aceptar] en la ventana de "Configuración de funciones de PDF Thumbnail View".

⇒ Podrá ver las imágenes thumbnail de los archivos de PDF con el Explorador de Windows al igual como bitmap o imágenes de JPEG.



Véase la "Guía del Usuario de ScanSnap" en el "Setup CD-ROM de ScanSnap" para los detalles.

3.7. ScanSnap Organizer

ScanSnap Organizer es una aplicación que administra los archivos de imagen tales como JPEG y PDF, y los visualiza en forma de miniaturas (thumbnail).

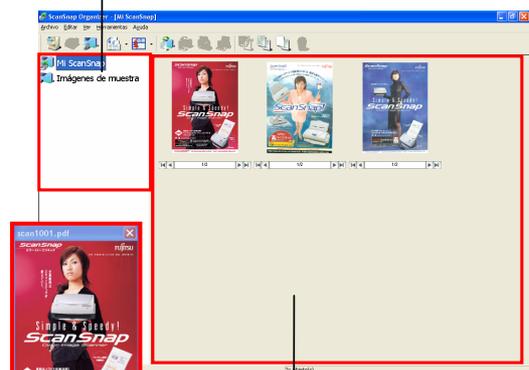
Podrá ver los archivos sin tener la necesidad de abrirlos. También podrá crear carpetas y ordenar archivos para diferentes propósitos.

También, sin abrir el archivo, podrá ver y cambiar de página en los archivos de páginas múltiples desde la miniatura visualizada.

Desde el menú de [Inicio], si selecciona [Todos los Programas] – [ScanSnap Organizer] – [ScanSnap Organizer], la siguiente pantalla aparecerá.

Vista de Carpetas

Las carpetas seleccionadas en ScanSnap Organizer son visualizadas.



Vista de Archivos

Archivos PDF o JPEG de la carpeta seleccionada son visualizados miniaturas

Ventana Pop-up de Miniaturas (Thumbnail)

La página seleccionada es visualizada en una ventana pop-up

Imagen miniatura (Thumbnail)

La imagen miniatura del archivo es visualizado.



Número de Página

Muestra [No. de página actual / No. total de páginas].

Botón [Ampliar / Reducir]

Amplia o reduce la actual imagen de miniatura pop-up.

Botones de [Navegación]

Si el archivo es de páginas múltiples, podrá desplazarse hasta la página que desea ver.



Para obtener detalles consulte la "Guía del Usuario" del ScanSnap" en el "Setup CD-ROM de ScanSnap".

4. Resolución de Problemas

Este capítulo describe los problemas más comunes durante el uso de ScanSnap y cómo remediarlos.

4.1. Lista de Control de la Resolución de Problemas

Antes de ponerse en contacto con el Servicio de Reparación, verifique los siguientes.

Si no puede resolver el problema después de examinar los siguientes ítems, contacte con el distribuidor donde adquirió este producto, o con un centro autorizado de servicios técnicos de escáner FUJITSU.

| Síntoma | Ítem a verificar | Remedio |
|----------------------------------|---|---|
| El escáner no se puede encender. | ¿Están el cable de AC/USB y el adaptador de AC conectados correctamente? | Conecte el cable de AC/USB y el adaptador de AC correctamente. Desconecte y re-conecte el cable de AC y el adaptador de AC. (Espere 5 segundos como mínimo antes de reconectar el cable de AC.) |
| | ¿La tapa de la Bandeja de Entrada se encuentra cerrada? (El suministro de energía eléctrica es controlado por la apertura / cierre de la tapa de la Bandeja de Entrada.)` | Abra la tapa de la bandeja entrada. |
| | ¿Se ha iniciado Windows completamente? (El suministro de energía eléctrica del escáner es controlado por el encendido o apagado del ordenador.) | Espere que Windows se inicie por completo. La lámpara de encendido podría no estar iluminándose si Windows se está iniciando o el escáner se encuentra en el modo de ahorro de energía. |
| | ¿Ha pulsado el botón [POWER] para apagar el escáner? (El escáner puede ser apagado mediante el botón [POWER] cuando la tapa de la Bandeja de Entrada se encuentre abierta.) | Pulse el botón [POWER] en el escáner. |
| La digitalización no inicia. | ¿Esta el cable de USB conectado correctamente? | Conecte correctamente el cable de USB. (Cuando utiliza un concentrador (hub), compruebe la alimentación eléctrica.) |
| | ¿La luz de la lámpara de encendido [Ⓢ] parpadea repetidamente? | Desconecte y re-conecte el cable de AC y el adaptador de AC. (Espere 5 segundos como mínimo antes de reconectar el cable de AC.) |
| | ¿Se ha iniciado el "ScanSnapManager"? (Si el ScanSnap Manager es iniciado con éxito, el icono  de "ScanSnap Manager" aparecerá en la bandeja de tareas.) | Si el icono de " ScanSnapManager " no se visualiza, en el menú de [Inicio], seleccione [Programas] - [ScanSnap Manager] - [ScanSnap Manager] para poder iniciar el ScanSnap Manager. |
| | ¿Está funcionando el ScanSnap Manager correctamente? (Si el ScanSnap Manager no está funcionando normalmente, el icono de "ScanSnap Manager" en la barra de tarea se visualiza como ) | Ejecutar el procedimiento siguiente: 1. Realice "Buscar cambios de hardware" en el "Administrador de dispositivos" (*1). Si la situación no mejora ejecute el paso 2. 2. Desconecte y re-conecte el cable de AC y el adaptador de AC. Si este no hace cambiar el estado, ejecute el paso 2. (Espere más de 5 segundos antes de reconectar el cable de AC.)). Si la situación no mejora ejecute el paso 3 3. Si está usando un concentrador (hub) de USB, conecte el ScanSnap directamente a su ordenador.). Si la situación no mejora ejecute el paso 4. 4. Si su ordenador tiene varios puertos USB, conecte el escáner a otro puerto USB. Si la situación no mejora ejecute el paso 5 5. Reinicie su ordenador. Si ninguno de los susodichos pasos remedia el problema, desinstale y re-instale ScanSnap Manager. (*2) |
| | ¿Está la ventana de "Escanear y guardar configuración" todavía visualizada? | Cierre la ventana "Escanear y guardar configuración", y escanee el documento. |

| Síntoma | Ítem a verificar | Remedio |
|--|---|--|
| Las líneas verticales aparecen en la imagen escaneada. | ¿Está sucio el interior de la sección de alimentación? | Limpie el interior del ADF siguiendo las instrucciones en “ 5. Cuidado Diario ” |
| La imagen generada está desalineada o deformada. | ¿Está el documento colocado correctamente en la bandeja de entrada? | Coloque el documento correctamente. |
| Las líneas en el documento están borrosas. (Ejemplo: La líneas de una hoja rayada no aparecen.) | ¿Ha digitalizado en el modo “Color” documento que contiene letras imprenta, tablas con rayas o caracteres escritas a mano? | El modo color es utilizado para capturar imágenes a colores tales como fotografías en alta calidad. Para documentos que contengan letras imprenta, tablas con rayas o caracteres escritas a mano, en la ventana “Escanear y guardar configuración” seleccione [Modo de escaneo] > [Opción] y marque la casilla de selección [Configuración sólo para documentos de Texto]. |
| La imagen digitalizada está muy clara u oscura. | ¿En la exploración en Blanco y Negro, Está la [Opción...] - "Brillo" en la [Modo de escaneo] ajustado extremadamente en Claro u Oscuro? | Ajuste el "Brillo" en [Modo de escaneo] - [Opción...] en la ventana de "Escanear y guardar configuración". |
| La velocidad de digitalización es bien lenta. | ¿Su PC cumple con los requisitos de sistema recomendado? | Confirme que los requisitos de sistema en “Antes de Instalar ScanSnap” en el Capítulo 2 de la “Guía del Usuario fi-5110EOX2”. La velocidad de digitalización disminuirá, si el CPU y la memoria RAM no cumplen con los requisitos recomendados. Si este es el caso, en [Modo de escaneo] -[Opción...] de la ventana "Escanear y guardar configuración", desactive las siguientes casillas para aumentar la velocidad de digitalización. <ul style="list-style-type: none"> ● Permitir corrección automática de páginas torcidas ● Permitir rotación automática de imagen |
| | ¿Está el escáner conectado al PC mediante un cable interfaz USB 1.1? Cuando utiliza esta interfaz, la velocidad de transferencia de datos podría ser bien lenta cuando el escáner transmite datos de gran tamaño al PC. | Cuando su PC es equipado con una interfaz USB 2.0, conecte el escáner al PC mediante un cable de ésta interfaz. (Cuando utilice un concentrador (hub) USB, es necesario que use uno que disponga de interfaz USB 2.0.) (*3) |
| Alimentación múltiple ocurre frecuentemente. (*4) | ¿Está el Pad ASSY sucio? | Reemplace el Pad ASSY siguiendo las instrucciones en “ 5.3. Limpieza del Interior del Escáner ”. |
| | ¿Está el Pad ASSY gastado? | Limpie el Pad ASSY siguiendo las instrucciones en “ 6.2. Reemplazo del Pad ASSY ”. |
| | ¿Es el lote de documento más grueso que 4mm? | Reduzca el número de hojas, en la Bandeja de Entrada a un espesor de menos de 4 mm. |
| El papel no se está alimentado (se detiene a mitad del camino). | ¿Está el Rodillo de recogida sucio? | Limpie el Rodillo de recogida siguiendo las instrucciones en “ 5.3. Limpieza del Interior del Escáner ”. |
| | ¿Está el Rodillo de recogida gastado? | Reemplace el Rodillo de recogida siguiendo las instrucciones en “ 6.3. Reemplazo del Rodillo de Recogida ”. |
| | ¿Hay restos de papel en el camino de alimentación de documento? | Elimine cualquier resto en el camino de alimentación del documento. |
| | ¿El documento colocado en el escáner cumple con las condiciones descritas en la sección 3.2 del a guía del usuario? De lo contrario, el documento no pasará correctamente por el ADF. | Realice los siguientes: <ul style="list-style-type: none"> • Ligeramente empuje con su dedo una hoja del documento en el inicio de la digitalización. • Cambie la dirección de inserción del documento a digitalizar. |
| El escáner no es reconocido aún el ScanSnap Manager esté instalado. | ¿Ha conectado el escáner al ordenador antes de haber instalado ScanSnap Manager? ¿Está el escáner registrado como "Otros dispositivos" en el "Administrador de dispositivo?" | En el menú de [Inicio], seleccione [Panel de control] - [Sistema] - [Hardware] - [Administrador de dispositivo]. Elimine el nombre del dispositivo situado bajo "Otros dispositivos" en el [Administrador de dispositivos] y reinicie el ordenador. |

| Síntoma | Ítem a verificar | Remedio |
|---|---|---|
| El tamaño del archivo de la imagen escaneada es el mismo que de un documento a colores, aunque se está escaneando en blanco y negro. | ¿Está el documento en Blanco y Negro siendo escaneado en el modo de color? | Ajuste [Modo de Color:] situado en [Modo de escaneo] en la pantalla de "Escanear y Guardar las Configuraciones" a "Blanco y negro". |
| El lado posterior del documento aparece en la imagen escaneada cuando escanea un documento bi-direccional (ruido del lado posterior de imagen). | ¿Está la casilla de verificación de "Configuración sólo para documentos de Texto." desmarcada en [Opción...] en [Modo de escaneo] en la pantalla de "Escanear y Guardar las Configuraciones"? | Marque la casilla de verificación de "Configuración sólo para documentos de Texto." (Disponible sólo en el modo de color), al cual hace que las letras, líneas y el contraste aparezcan más nítidas eliminando el ruido de la imagen del lado posterior. Este modo también podrá ser usado para documentos con fotografías o ilustraciones. Sin embargo el contraste y colores serán afectados por el modo. |
| Imágenes escaneadas no se visualizan en la pantalla. (Cuando "Permitir eliminación de página en blanco" es activada). | Cuando "Permitir eliminación de página en blanco" está activado, documentos que contienen sólo algunos caracteres son reconocidos como páginas en blanco y son eliminados accidentalmente de los datos de imágenes digitalizadas. | Haga clic con el botón derecho del ratón en el icono de "ScanSnap Manager" ubicado en la bandeja de tareas, luego seleccione [Ajustes...] – [Modo de escaneo] haga clic en el botón [Opción...]. Luego desactive la casilla de control "Permitir eliminación de página en blanco". |
| Las imágenes digitalizadas están torcidas. (Cuando "Permitir corrección automática de páginas torcidas" es activada). | ¿Son los documentos alimentados en el ADF configurados en una tolerancia de torcedura de +-5 grados? | La función "Permitir rotación automática de imagen" podrá ser corregir imágenes torcidas dentro de un intervalo de +-5 grados. Coloque el documento en el escáner de tal manera el documento no exceda este límite. |
| | De acuerdo al contenido del documento, la detección automática de imágenes torcidas podría no funcionar correctamente. | Consulte la sección 3.4 de la Guía del Usuario |
| La orientación de la imagen digitalizada no se visualiza correctamente. (Cuando "Permitir rotación automática de imagen" es activada) | De acuerdo al contenido del documento, la rotación automática de imágenes podría no funcionar correctamente. | Consulte la sección 3.4 de la Guía del Usuario |

*1) En Windows XP, desde la ventana "Administrador de dispositivos", haga clic con el botón derecho del ratón en el icono del ordenador y seleccione "Buscar cambios de hardware".

*2) Confirme que el ordenador y el ScanSnap estén encendidos y conectados correctamente.

- Desde la ventana de "Administrador de dispositivos", verifique si ScanSnap está reconocido como un dispositivo desconocido. Si dicho es el caso, vaya al [Panel de control] -> [Sistema] y elimínelo.
- Cierre el ScanSnap Manager.
- Vaya al [Panel de control] - seleccione [Agregar o quitar programas] y desinstale ScanSnap Manager y ScanSnap Organizer. (Consulte la sección 4.1 de la Guía del Usuario)
- Antes de re-iniciar el ordenador, elimine las siguientes carpetas.



Tenga cuidado de no eliminar otros archivos o carpetas, las cuales podrían afectar el entorno del sistema.

En el caso de Windows 2000, Windows XP:

Elimine la carpeta ScanSnap ubicada en:

c:\Documents and Settings\< nombre del usuario >\ Datos de programa \PFU\

Elimine la carpeta del controlador ubicado en:

c:\Archivos de programa\PFU\ScanSnap\

En el caso de Windows 98, ME:

Elimine la carpeta del controlador ubicado en:

c:\Archivos de programa\PFU\ScanSnap\

Después de haber eliminado las susodichas carpetas, confirme que los archivos

- fi5110e.INT
- fi5110e.PNF

en la carpeta C:\Windows\Inf hayan sido eliminadas. Si aún permanecen en dicha carpeta, elimínelas.

SUGERENCIA



La carpeta C:\Windows\Inf Puede que esté oculta. Para confirmar y eliminar los susodichos archivos, seleccione de la barra de menú, [Explorador] - [Herramientas] - [Opciones de carpeta] y luego seleccione la ficha [Ver]. En esta ficha, verifique que la casilla de selección [Mostrar todos los archivos y carpetas ocultos] situada debajo de [Archivos y carpetas ocultos] esté marcada. Después de haber activado esta casilla de selección, la carpeta C:\Windows\Inf será visible y podrá verificar la existencia de los archivos fi5110e.INT y fi5110e.PNF.

- Después de haber eliminado los susodichos carpetas y archivos, reinicie su ordenador con el ScanSnap desconectado.
- Reinstale el ScanSnap Manager y re-inicie una vez más.

*3) Para confirmar el tipo de interfaz USB (1.1 ó 2.0) en el que el escáner está conectado, haga clic con el botón derecho del ratón en el icono del ScanSnap Manager en la bandeja de tareas y seleccione [Ayuda] - [Acerca de ScanSnap Manager], y luego haga clic en el botón [Detalles] en la ventana [Información de Versión]. El tipo de interfaz USB será mostrado en [Información del Escáner].

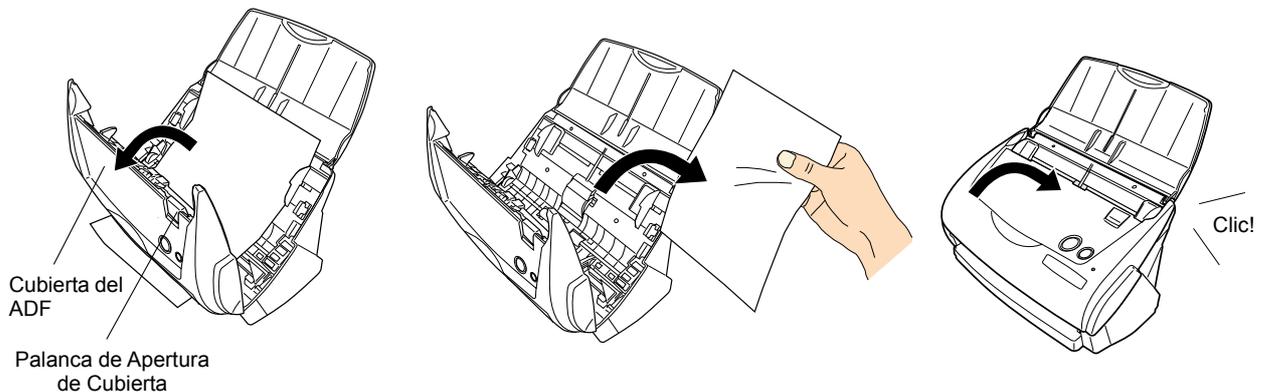
*4) "Alimentación múltiple" es un fenómeno en donde dos o más hojas son alimentadas al escáner simultáneamente.

* Visite nuestro sitio Web para su consulta. Otras informaciones útiles serán puestas en la sección FAQ en el sitio Web mostrado a continuación.

<http://scansnap.fujitsu.com>

4.2. Extracción de papeles atascados

1. Abra el ADF, levantando la palanca de apertura de cubierta.
2. Retire el documento atascado.
3. Cierre la cubierta del ADF.



⇒ Debe de oír el clic de ADF cuando lo regresa a su posición original.

5. Cuidado Diario

Este capítulo describe cómo limpiar ScanSnap.



Fuego/Descargas Eléctricas

Antes de reemplazar y limpiar el escáner, desconecte el adaptador de AC para apagar el escáner.

5.1. Artículos de limpieza

| Artículos de limpieza | No. De Pieza | Observaciones |
|-----------------------|--------------|---|
| Limpiador F1 | CA99501-0013 | 1 botella (100ml) Humedezca el paño con este líquido y limpie el escáner. (*1) |

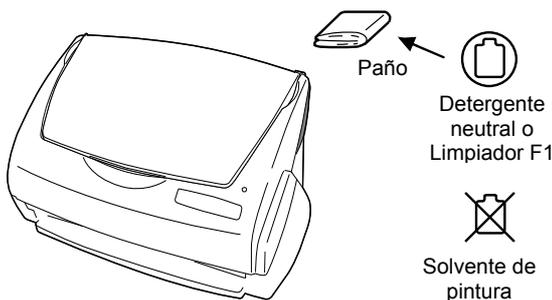
*1) Para comprar el artículo de limpieza, póngase contacto con el distribuidor de escáneres FUJITSU donde adquirió el escáner.

5.2. Limpieza del Exterior del Escáner

Limpie el exterior del escáner y su bandeja de entrada al F1, usando un paño suave y humedecido con una pequeña cantidad de detergente neutro o Limpiador F1.



- Nunca utilice solventes de pintura y otros solventes orgánicos tales.
- Durante la limpieza tenga cuidado en no dejar que el agua u otro líquido ingrese en el interior del escáner.
- No utilice pulverizadores de aerosol para limpiar el escáner. Los pulverizadores provocan el ingreso del polvo en el escáner, ocasionando mal-funcionamientos de éste.



5.3. Limpieza del Interior del Escáner

Limpie los lugares siguientes con un trapo seco o ligeramente humedecido con el limpiador F-1. A menudo que realice digitalizaciones, se empieza a acumular polvo y restos de papel dentro del escáner creando la mala función del escáner. Como norma, limpie el ADF después de cada 1,000 digitalizaciones. Nota: esta norma podrá variar según el tipo de documento que esté escaneando. Por ejemplo, el

ADF debe ser limpiado con más do cuando escanea documentos fotocopiados donde el toner no ha sido fundido suficientemente en el papel.

Limpie el ADF según el procedimiento mostrado a continuación en los siguientes dibujos.



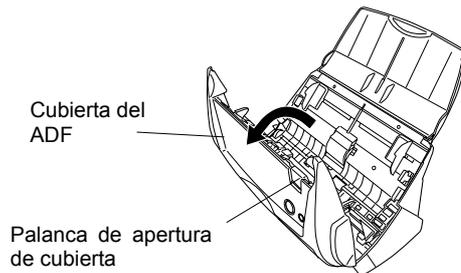
La superficie de cristal dentro del ADF puede estar caliente durante su uso.

Antes de iniciar la limpieza dentro del escáner, desconecte el adaptador de AC y espere 15 minutos como mínimo para el enfriamiento del escáner.

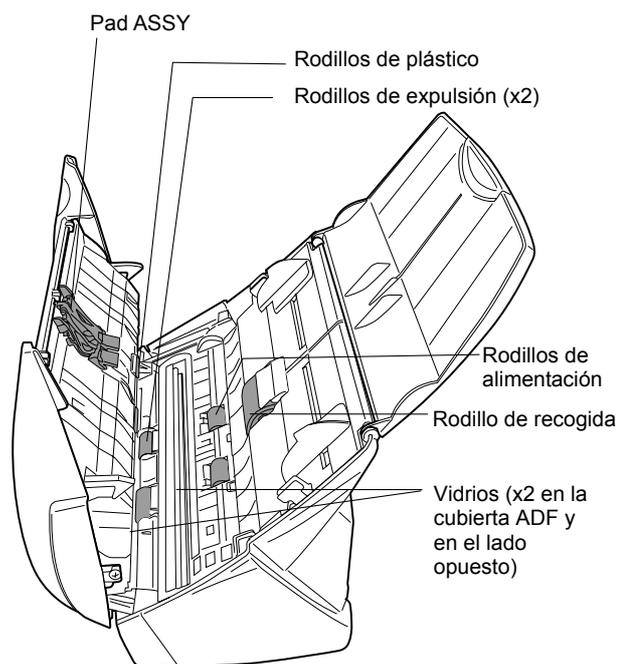


- Nunca use agua o detergente neutro para la limpieza del interior del escáner.
- No utilice pulverizadores de aerosoles para limpiar el escáner. Los pulverizadores provocan el ingreso del polvo en el escáner, ocasionando un mal funcionamiento de éste.

1. Abra el ADF, levantando la palanca de apertura de cubierta.



2. Limpie los lugares siguientes con un trapo seco o un humedecido ligeramente con el limpiador F-1.



Pad ASSY (x1)

Limpie el Pad ASSY de arriba hacia. Cuando limpie el Pad ASSY, tenga cuidado que el paño se enganche con el amortiguador (metálico).

Vidrios (x2 en la cubierta ADF y en el lado opuesto)

Limpíelos ligeramente.

Rodillo de recogida (x1)

Limpie ligeramente teniendo cuidado de no arañar la superficie del rodillo. Limpie especialmente con cuidado el Rodillo de recogida debido a que los restos negros afectan negativamente en la toma de papel.

Rodillos plásticos (x4 en la cubierta ADF)

Limpíelos ligeramente mientras los hace rotar con sus dedos. Limpie ligeramente las superficies de los rodillos. Tenga especial cuidado en limpiar los rodillos de alimentación porque los restos negros afectan especialmente en la toma de papel.

Encienda el escáner antes de limpiar los siguientes lugares. Limpie los siguientes rodillos mientras se encuentran rotando.

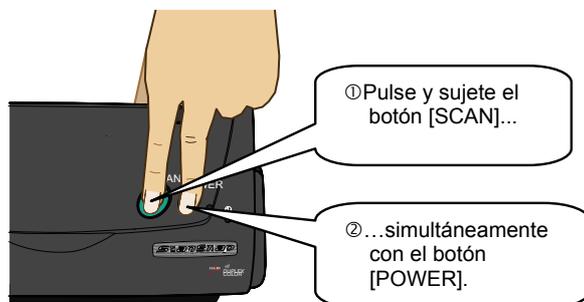
Rodillos de alimentación (x2)

Limpie ligeramente las superficies de los rodillos. Tenga especial cuidado en limpiar los rodillos de alimentación porque los restos negros afectan especialmente la toma de papel.

Rodillos de expulsión (x2)

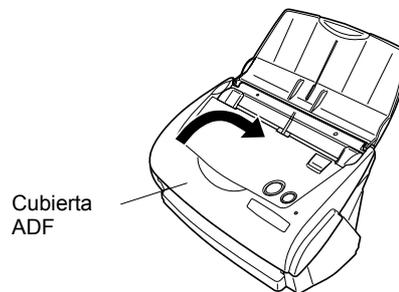
Limpie ligeramente las superficies de los rodillos. Tenga especial cuidado en limpiar los rodillos de alimentación debido a que los restos negros afectan especialmente en la toma de papel.

Para rotar los rodillos de alimentación y de expulsión, pulse el botón [POWER] y [SCAN] simultáneamente. Como norma pulse los botones 6 veces para que rote una vuelta.



Conecte el adaptador de AC y el cable de AC sólo cuando limpie los rodillos de alimentación y de expulsión.

3. Cierre la cubierta del ADF.



Cuando el ADF ha regresado a su posición original, asegúrese que esté cerrado completamente. De lo contrario, atascos de papel u otros problemas podrían ocurrir.

5.4. Limpieza del Portador de Hojas

Cuando usa el Portador de hojas con frecuencia, ésta podría ensuciarse por dentro y fuera.

Límpielo con regularidad, de lo contrario podrían ocurrir errores de digitalización.

<Método de limpieza>

Use un paño suave y sin pelusa, seco o humedecido ligeramente con el limpiador F1 o detergente neutral. Limpie ligeramente el exterior e interior del Portador de hojas.



- Nunca utilice solventes de pintura y otros solventes orgánicos tales.
- Frótelo delicadamente, de lo contrario el portador podría dañarse o deformarse.
- Después de limpiar el interior del Portador de hojas, espere a que se seque por completo antes de cerrarlo.
- Como norma, se recomienda que reemplace el Portador de hojas cada 500 digitalizaciones. Para obtener detalles acerca de la adquisición del Portador de hojas, consulte la sección 6.4. **Adquisición del Portador de Hojas.**

6. Reemplazo de los Consumibles / Portador de hojas

Este capítulo describe el reemplazo y la compra de los consumibles.



Fuego / descargas Eléctricas

Antes de reemplazar los consumibles en el escáner, desconecte el adaptador de AC para apagar el escáner.

6.1. N° de Pieza y Ciclo de Reemplazo de los Consumibles

La tabla siguiente muestra los números de pieza de consumibles y pautas para reemplazar estas piezas.

| No. | Descripción | No de Pieza | Ciclo de Reemplazo |
|-----|---------------------|--------------|------------------------|
| 1 | Pad ASSY | PA03360-0002 | 50,000 Hojas o un año |
| 2 | Rodillo de recogida | PA03360-0001 | 100,000 Hojas o un año |

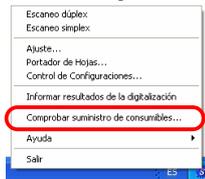
Estos ciclos de reemplazo están definidos, como estándar para papel de tipo de pasta mecánica tamaño A4 o Carta, de 64 g/m² (17 lb.). El ciclo real puede ser diferente dependiendo del papel escaneado.

Utilice sólo los consumibles especificados por PFU LIMITED.

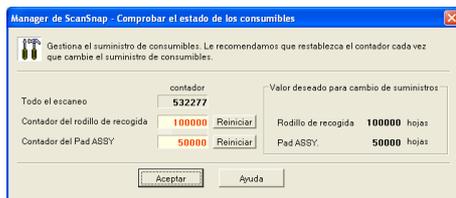


Para estimar el momento correcto de reemplazo y para obtener una vista de la cantidad de páginas escaneadas, consulte lo siguiente:

- Haga clic con el botón derecho del ratón en el icono "ScanSnap Manager"  situado en la bandeja de tareas.
- Haga clic [Comprobar suministro de consumibles ...] en el menú que es visualizado.



⇒ La ventana (ventana de "Comprobar el estado de los consumibles") mostrando la cantidad de hojas escaneadas será visualizada.



Reemplace los consumibles consultando el "Valor deseado para cambio de suministros" como norma.

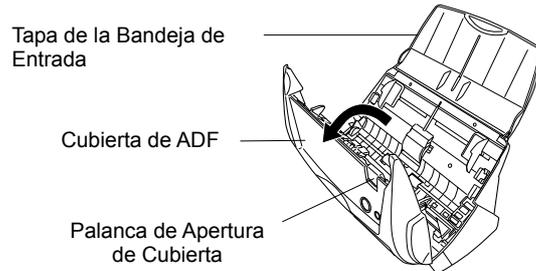
Para obtener detalles acerca de los consumibles y sus lugares de compra, visite el sitio Web o póngase en contacto con el distribuidor en donde adquirió su escáner.

[Sitio Web] <http://scansnap.fujitsu.com>

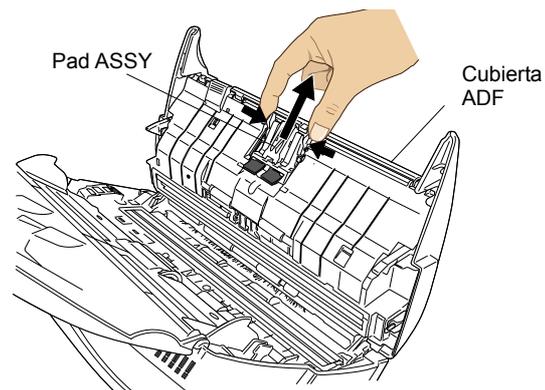
6.2. Reemplazo del Pad ASSY

Reemplace el Pad ASSY mediante el siguiente procedimiento.

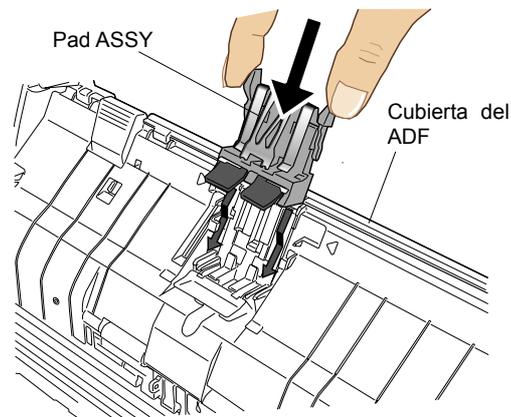
- Retire los documentos atascados en ruta del papel.
- Abra el ADF, tirando la palanca de apertura de cubierta.



- Extraiga el Pad ASSY. Tire el Pad ASSY en dirección de la flecha mientras sujeta ambos extremos del Pad ASSY.

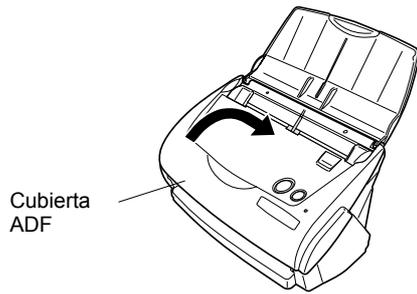


- Monte el nuevo Pad ASSY.



Asegúrese que el Pad ASSY esté instalado correctamente. De lo contrario podrían ocurrir atascos de papel u otros errores de alimentación.

5. Cierre la cubierta ADF



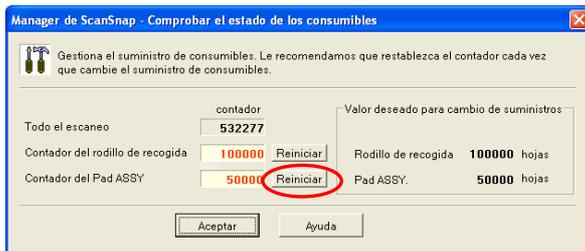
⇒ Debe de oír el clic de ADF cuando lo regresa a su posición original.

6. Encienda el escáner.

⇒ El icono ScanSnap Manager cambia de a .

7. Haga clic con el botón derecho en el icono "ScanSnap Manager" situado en bandeja de tareas, y seleccione desde el menú [Comprobar suministro de consumibles].

8. Haga clic el botón de [Reiniciar] del contador del Pad ASSY en la ventana, "Comprobar el estado de los consumibles".

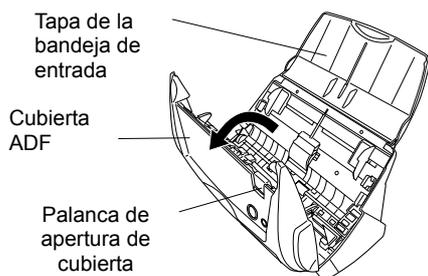


⇒ El contador regresará a "0".

6.3. Reemplazo del Rodillo de Recogida

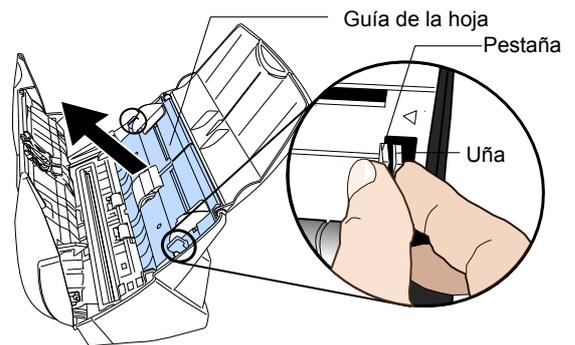
Reemplace el rodillo de Recogida siguiendo el siguiente procedimiento.

1. Quite los documentos de la bandeja entrada.
2. Abra el ADF, tirando la palanca de apertura de cubierta.

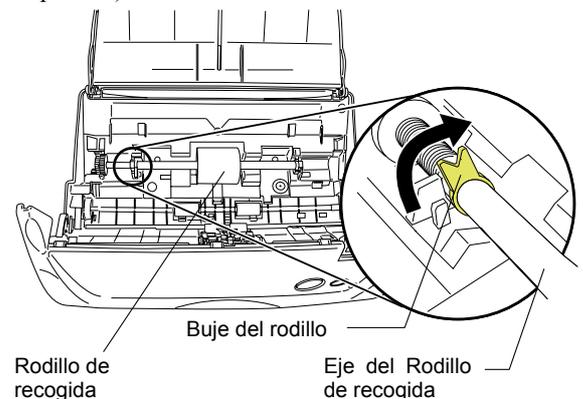


3. Desmonte la Guía de Hojas. Para desmontarlo, presione las pestañas en los

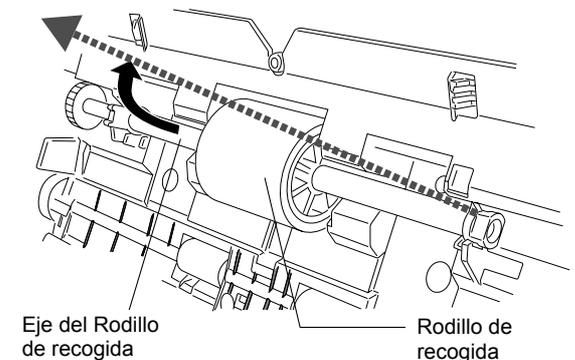
extremos de la guía.



4. Gire el buje del Rodillo de Recogida (situado al lado izquierdo) a la dirección de la flecha



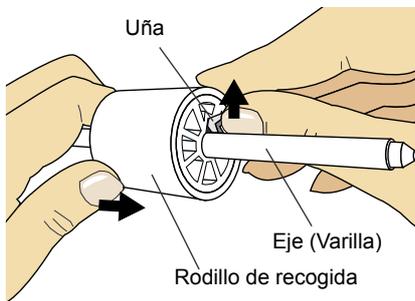
5. Retire el eje del Rodillo de Recogida del escáner. Retírelo mientras lo levanta en la dirección de la flecha.



PRECAUCION El Rodillo de recogida podría estar sucio con restos de papel, los cuales causan la incorrecta digitalización. Por lo tanto límpielo con un paño humedecido con el limpiador F-1.

*Para la limpieza de esta pieza, NO utilice agua, detergentes neutrales o pulverizadores de aerosol.

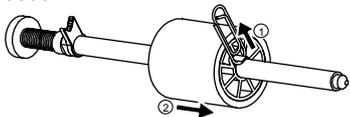
6. Retire el rodillo de recogida del eje.
Tire o levante la uña del rodillo y retire el rodillo del eje (varilla).



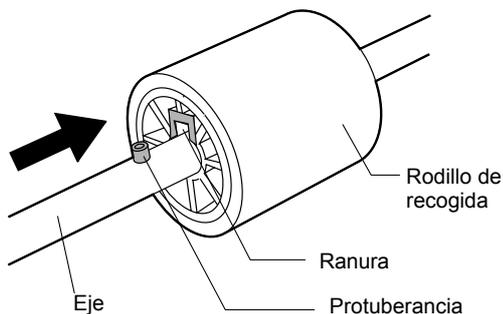
PRECAUCION



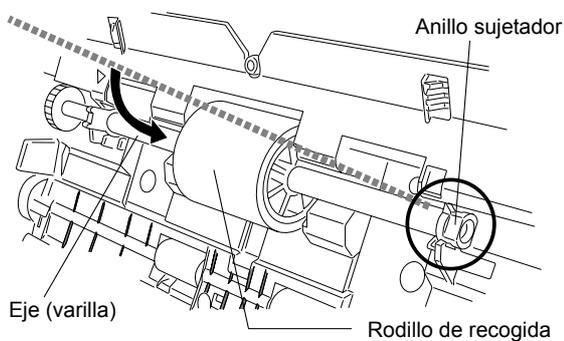
Si tira la lengüeta del rodillo con la uña de su dedo podría lastimarse. Utilice un clip de papel en caso de que no pueda tirarla con el dedo.



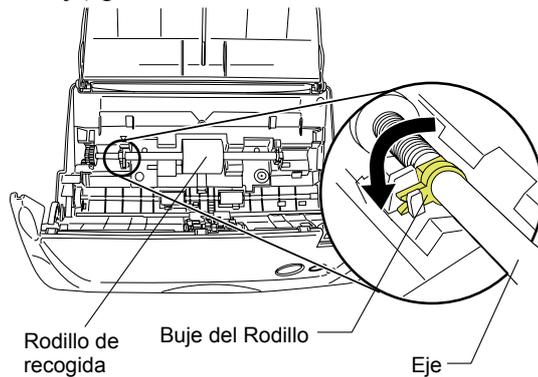
7. Instale el nuevo Rodillo de Recogida en el eje.
Inserte el nuevo Rodillo de Recogida alineando la protuberancia del eje a la ranura del rodillo.



8. Instale el Rodillo de Recogida con su eje en el escáner y ajuste el eje en el anillo sujetador mientras no instala.



9. Ajuste el Buje del rodillo (situado en el lado izquierdo del eje) girándolo en dirección de la flecha.

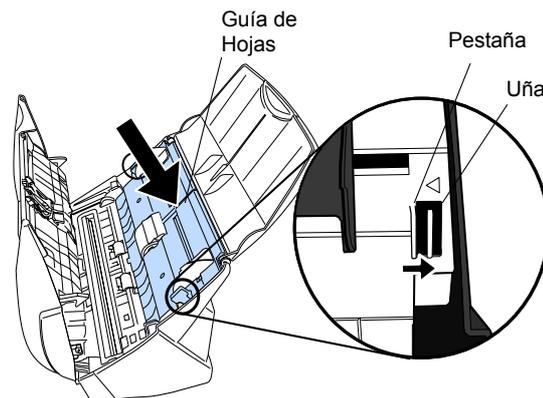


PRECAUCION



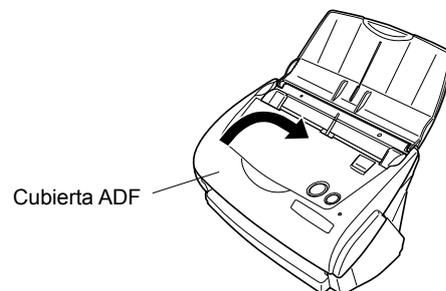
Asegúrese que el Rodillo de recogida esté instalado correctamente. De lo contrario atascos de papel u otros errores de alimentación podrían ocurrir.

10. Monte la Guía de Hojas al escáner.
Sujetando las pestañas de la Guía, móntela en el escáner.



⇒ Debe de oír un clic cuando lo regresa a su posición original.

11. Cierre el ADF

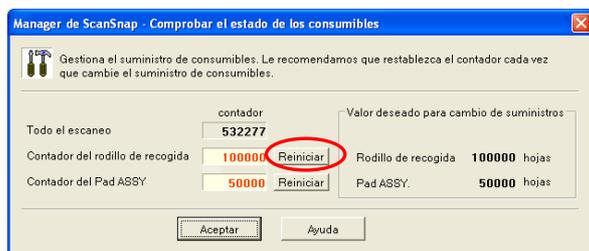


⇒ Debe de oír el clic de ADF cuando lo regresa a su posición original.

12. Encienda el escáner.

⇒ El icono ScanSnap Manager cambia de  a .

13. Haga clic con el botón derecho en el icono del "ScanSnap Manager"  situado en la bandeja de tareas, y seleccione del menú [Comprobar suministro de consumibles].
14. Haga clic el botón de [Reiniciar] del contador del rodillo de recogida en la ventana, "Comprobar el estado de los consumibles".



6.4. Adquisición del Portador de Hojas

Si ya no puede usar el Portador de hojas suministrado con este escáner debido a que se a dañado o desgastado, podrá comprar por separado otro Portador de hojas.

Como norma se recomienda reemplazar el Portador de hojas cada 500 digitalizaciones.

Sin embargo, esta norma podría variar de acuerdo a la manera como lo usa.

Reemplace el Portador de hojas si las rasguñas en el Portador de hojas empiezan a ser notorias.

La descripción del Portador de hojas (vendido por separado) y su número de pieza son las siguientes:

| Descripción | Cantidad | Nº de Pieza |
|---|----------|-------------|
| Portador de hojas ScanSnap  | 5 hojas | FI-511ES-WW |



Declaration of Conformity

Responsible Party: FUJITSU COMPUTER PRODUCTS OF AMERICA, INC.
Address: 2904 ORCHARD PARKWAY,
SAN JOSE, CA 95134 - 2009, U. S. A.
Phone Number: (408) 432-6333
Fax Number: (408) 894-1709

Hereby declares that the product

Product Name: Image Scanner
fi-5110EOX* (*: Any alphanumeric character or Blanc.)
Revision: A0 ~

Conforms to the following specifications:

FCC Part 15, Subpart B, Class B Digital Device

Supplementary Information:

This device complies with part 15 of the FCC Rules. Operation is subject to the following two conditions: (1) this device may not cause harmful interference, and (2) this device must accept any interference received, including interference that may cause undesired operation.

Responsible Person

Name: Reza Majidansari
Title: V.P. IPG. Engineering
Peripherals, Scanners and Software
Signature: 
Date: 11/23/04



* P 3 P C - 1 1 4 2 - 0 1 X A *

FUJITSU

This manual uses recycled paper.

Ce manuel est imprimé sur papier recyclé.

Dieses Handbuch wurde auf Recycling-Papier gedruckt.

Questo manuale è stato stampato su carta riciclata.

Este manual se ha impreso con papel reciclado.

© PFU LIMITED 2005.1

Free Manuals Download Website

<http://myh66.com>

<http://usermanuals.us>

<http://www.somanuals.com>

<http://www.4manuals.cc>

<http://www.manual-lib.com>

<http://www.404manual.com>

<http://www.luxmanual.com>

<http://aubethermostatmanual.com>

Golf course search by state

<http://golfingnear.com>

Email search by domain

<http://emailbydomain.com>

Auto manuals search

<http://auto.somanuals.com>

TV manuals search

<http://tv.somanuals.com>