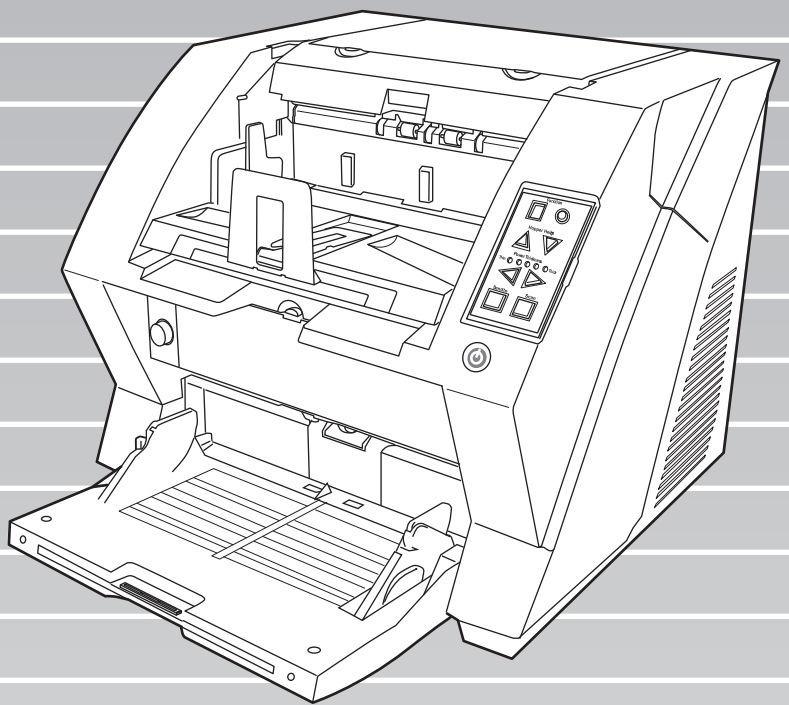




P3PC-3062-02EN

fi-5950 Image Scanner

Getting Started



FUJITSU

CONTENTS

INTRODUCTION	ii
■ Regulatory Information	ii
■ Liability	iii
■ Safety Precautions	v
Chapter1 PREPARING THE SCANNER.....	1
1.1 Checking the Contents of the Scanner Package.....	1
1.2 Names of Parts	1
1.3 Operator Panel.....	2
Chapter2 INSTALLATION OF THE SCANNER.....	4
2.1 Installing the Scanner	4
2.2 Connecting the Scanner to Your PC.....	4
2.3 Installing the Scanner Software	6
2.4 Checking Scanner Driver Operation.....	9
2.5 Uninstalling Supplied Programs.....	10
Appendix 1 TROUBLESHOOTING.....	AP-1
Appendix 2 DAILY CARE	AP-4
Appendix 3 REPLACING CONSUMABLES.....	AP-5

INTRODUCTION

Thank you for purchasing the fi-5950 Duplex Color Scanner.

This document describes how to use fi-5950 and basic operation methods. Before you start using fi-5950 be sure to thoroughly read this manual to ensure correct use.

The "fi-5950 Operator's Guide" stored on the Setup DVD-ROM provides useful and detailed information on Operations when you would like to use advanced features, Daily Care for maintenance of the scanner, and Replacing Consumables to maintain conditions for smooth scanning. Please also read the fi-5950 Operator's Guide for further information.

■ Regulatory Information

FCC declaration

This equipment has been tested and found to comply with the limits for a Class B digital device, pursuant to Part 15 of the FCC Rules. These limits are designed to provide reasonable protection against harmful interference in a residential installation. This equipment generates, uses, and can radiate radio frequency energy and, if not installed and used in accordance with the instruction manual, may cause harmful interference to radio communications. However, there is no guarantee that interference will not occur in a particular installation. If this equipment does cause harmful interference to radio or television reception, which can be determined by turning the equipment off and on, the user is encouraged to try to correct the interference by one or more of the following measures:

- Reorient or relocate the receiving antenna.
- Increase the separation between the equipment and receiver.
- Connect the equipment into an outlet on a circuit different from that to which the receiver is located.
- Consult your dealer or an experienced radio/TV technician.

FCC warning: Changes or modifications not expressly approved by the party responsible for compliance could void the user's authority to operate the equipment.

NOTICE

- The use of a shielded interface cable is required to comply with the Class B limits of Part 15 of FCC rules. The length of the SCSI interface cable must be 1.5 meters (5 feet) or less.
- The length of the AC cable must be 3 meters (10 feet) or less.

Canadian DOC Regulations

This digital apparatus does not exceed the Class B limit for radio noise emissions from digital apparatus set out in the Radio interference Regulations of the Canadian Department of Communications.

This Class B digital apparatus complies with Canadian ICES-003.

Le présent appareil numérique n'émet pas de parasites radioélectriques dépassant les limites applicables aux appareils numériques de la classe B et prescrites dans le Règlement sur le brouillage radioélectrique dictées par le Ministère des Communications du Canada.

Cet appareil numérique de la classe B est conforme à la norme NMB-003 du Canada.

Bescheinigung des Herstellers / Importeurs

Für den fi-5950 wird folgendes bescheinigt:

- In Übereinstimmung mit den Bestimmungen der EN45014(CE) funktentstört
- Maschinenlärminformationsverordnung 3.GPSGV: Der höchste Schalldruckpegel beträgt 70 dB (A) oder weniger, gemäß EN ISO 7779.

Dieses Gerät wurde nicht für die Benutzung in unmittelbarer Umgebung starker Lichtquellen (z. B. Projektoren) konzipiert.

ENERGY STAR®

PFU LIMITED, a Fujitsu company, has determined that this product meets the ENERGY STAR® guidelines for energy efficiency.

ENERGY STAR® is a registered trademark of the United States.



■ Liability

READ ALL OF THIS MANUAL CAREFULLY BEFORE USING THIS PRODUCT. IF THIS PRODUCT IS NOT USED CORRECTLY, UNEXPECTED INJURY MAY BE CAUSED TO USERS OR BYSTANDERS.

Also, keep this manual in a safe place so that it can be easily referred to during use of this product.

While all efforts have been made to ensure the accuracy of all information in this manual, PFU assumes no liability to any party for any damage caused by errors or omissions or by statements of any kind in this manual, its updates or supplements, whether such errors are omissions or statements resulting from negligence, accidents, or any other cause. PFU further assumes no liability arising from the application or use of any product or system described herein; nor any liability for incidental or consequential damages arising from the use of this manual. PFU disclaims all warranties regarding the information contained herein, whether expressed, implied, or statutory.

Use in High-safety Applications

This product has been designed and manufactured on the assumption that it will be used in office, personal, domestic, regular industrial, and general-purpose applications. It has not been designed and manufactured for use in applications (simply called "high-safety applications" from here on) that directly involve danger to life and health when a high degree of safety is required, for example, in the control of nuclear reactions at nuclear power facilities, automatic flight control of aircraft, air traffic control, operation control in mass-transport systems, medical equipment for sustaining life, and missile firing control in weapons systems, and when provisionally the safety in question is not ensured. The user should use this product with adopting measures for ensuring safety in such high-safety applications. PFU LIMITED assumes no liability whatsoever for damages arising from use of this product by the user in high-safety applications, and for any claims or compensation for damages by the user or a third party.

About the use of mercury



Lamp(s) inside this product contain mercury and must be recycled or disposed of according to local, state, or federal laws.

To avoid unexpected injuries;

- Do not put the substance contained in the lamp in your mouth as it has mercury.
- Do not breathe the chemical liquid contained in the scanner lamps.
- Do not incinerate, crush, or shred the lamps or scanner parts.

Trademarks

Microsoft, Windows, Windows Server, Windows Vista, and SharePoint are either registered trademarks or trademarks of Microsoft Corporation in the United States and/or other countries.

ISIS and QuickScan are trademarks or registered trademarks of EMC Corporation in the United States.

Adobe, the Adobe logo, Acrobat, and Adobe Reader are either registered trademarks or trade names of Adobe Systems Incorporated in the United States and/or other countries.

Kofax and VRS are trademarks or registered trademarks of Kofax, Inc.

Other company names and product names are the registered trademarks or trademarks of the respective companies.

How Trademarks Are Indicated In This Manual

References to operating systems (OS) are indicated as follows:

Product	Indication	
Windows® 2000 Professional (Service Pack 4 or later)	Windows 2000	Windows (*1)
Windows® XP Professional (Service Pack 3 or later), Windows® XP Professional x64 Edition (Service Pack 2 or later), Windows® XP Home Edition (Service Pack 3 or later)	Windows XP	

Product	Indication	
Windows Server® 2003, Standard Edition, Windows Server® 2003, Standard x64 Edition, Windows Server® 2003 R2, Standard Edition (Service Pack 2 or later), Windows Server® 2003 R2, Standard x64 Edition (Service Pack 2 or later)	Windows Server 2003	Windows (*1)
Windows Vista® Home Basic (32/64-bit) (Service Pack 1 or later), Windows Vista® Home Premium (32/64-bit) (Service Pack 1 or later), Windows Vista® Business (32/64-bit) (Service Pack 1 or later), Windows Vista® Enterprise (32/64-bit) (Service Pack 1 or later), Windows Vista® Ultimate (32/64-bit) (Service Pack 1 or later)	Windows Vista	
Windows Server® 2008 Standard (32/64-bit), Windows Server® 2008 R2 Standard	Windows Server 2008	
Windows® 7 Home Premium (32/64-bit), Windows® 7 Professional (32/64-bit), Windows® 7 Enterprise (32/64-bit), Windows® 7 Ultimate (32/64-bit)	Windows 7	
Adobe® Acrobat®	Adobe Acrobat (*2)	

*1: Where there is no distinction between the different versions of the above operating system, the general term "Windows" is used.

*2: All the descriptions in this manual assume the usage of Adobe Acrobat bundled with this product. However, Adobe Acrobat may be upgraded without notice. If the descriptions differ from the screens actually displayed, refer to the Acrobat's "Help".

Manufacturer

PFU LIMITED

International Sales Dept., Imaging Business Division, Products Group
Solid Square East Tower, 580 Horikawa-cho, Saiwai-ku, Kawasaki-shi Kanagawa 212-8563, Japan
Phone : (81-44) 540-4538

© PFU LIMITED 2010, 2011

About Maintenance

The user must not perform repairs on this scanner. Contact the store where you purchased the scanner or an authorized FUJITSU Image Scanner service provider to make repairs to this product.

Warning Indications Used In This Manual



This indication alerts operators to an operation that, if not strictly observed, may result in severe injury or death.



This indication alerts operators to an operation that, if not strictly observed, may result in safety hazards to personnel or damage to equipment.

Symbols Used In This Manual



This symbol alerts operators to particularly important information. Be sure to read this information.



This symbol alerts operators to helpful advice regarding operation.



A TRIANGLE symbol indicates that special care and attention is required.

The drawing inside the triangle shows the specific caution.



A CIRCLE with a diagonal line inside shows action which users may not perform.

The drawing inside or under the circle shows the specific action that is not allowed.



Outline characters on a colored background show instructions users should follow.

It may also include the drawing that shows the specific instruction.

Screen Examples In This Manual

The screen examples in this manual are subject to change without notice in the interest of product improvement. If the actual displayed screen differs from the screen examples in this manual, operate by following the actual displayed screen while referring to the User's Manual of the scanner application you are using.

The screenshots in this manual were captured from TWAIN driver scanner driver, ScandAll PRO Image Capturing Utility Software, ISIS driver and Adobe® Acrobat®.

The Operator Panel Language Display

Apart from English, the operator panel can also display French, German, Italian, Spanish, and Chinese (Simplified). In this manual, the language display of the operator panel is shown in English.

■ Safety Precautions



Do not insert or drop any foreign objects (water, liquids, small metal objects, etc.) into the opening sections on the scanner. If foreign objects get inside the scanner, immediately disconnect the power cable from the AC outlet. Then, contact your FUJITSU scanner dealer or an authorized FUJITSU scanner service provider. Pay particular attention to this warning in households where there are small children.



If the scanner is damaged for any reason, immediately disconnect the power cable from the AC outlet. Then, contact your FUJITSU scanner dealer or an authorized FUJITSU scanner service provider.



In the following situation, immediately disconnect the power cable from the AC outlet. Not doing so may cause a fire or electric shock.

- Smoke or heat coming from the scanner is detected.
- Strange noise or smell is detected.
- Foreign objects (water, liquids, small metal objects, etc.) get inside the scanner.
- Other problems which indicate a scanner failure are detected.

Then, contact your FUJITSU scanner dealer or an authorized FUJITSU scanner service provider. Never try fixing such problems by yourself. Doing so is dangerous.



Do not take apart or modify the scanner as high-voltage components inside the scanner are dangerous. PFU assumes no liability to any damage caused by taking apart the scanner, as doing so is not covered under the warranty.



The area around the part to which this warning label is affixed can become very hot. To avoid burns, never touch around the area indicated by this label.



Firmly insert the power cable into the AC outlet. Not doing so may cause a fire or electric shock.



Use the scanner only at the indicated power voltage and current. Do not connect to multiplepower strips. Improper power voltage or current might cause a fire or electric shock.



Use only power cables provided with the scanner. Do not use any extension cords. Not following these instructions may cause abnormal heat or a fire. Do not also use the power cable provided with the scanner for other devices, since this might cause problems such as an equipment failure, or an electric shock.



Do not install in places that are damp or subject to smoke, steam, or dust, as this may cause a fire or electric shock.



Do not install the scanner in the following locations which are subject to high temperature, humidity, less ventilation, or dust. If placed in an area subject to high temperature, the cover may become overheated and deformed, causing the scanner to become hot, resulting in a fire.

- A place near heat-radiating devices such as stoves or electric heaters, or flammable items such as volatile inflammable materials or curtain.
- A place such as a bathroom, shower room, or swimming pool where it may easily get wet.
- A place under direct sunlight, in a car under the scorching sun, or near heating apparatus where it may get hot.



Do not place heavy objects on the scanner or perform other work on top of the scanner. Doing so might cause injuries or an equipment failure.



Do not use the scanner while covered with a blanket, etc. Doing so may raise the temperature inside and cause a fire.



Avoid getting a sleeve, necktie, or hair caught up in any scanner mechanism during scanning since this may cause injuries.



To avoid injuries, do not place the scanner in an area where small children may be able to reach.



Do not touch the heated section such as the bottom of the scanner for a long time. Doing so may cause a low-temperature burn on your skin.



Before moving the scanner, be sure to disconnect the power cable from the AC outlet, and all other interface cables. Make sure that the floor is free of any obstructions. Do not move the scanner with the power and interface cables connected as this can damage the cables, which can later cause a fire, electric shock as well as injuries.



When the scanner is not going to be used for a long period of time, be sure to disconnect the power cable from the AC outlet. Not doing so may cause a fire or electric shock.



Do not touch the power cable with wet hands. Doing so might cause an electric shock.



Do not use any aerosol sprays or alcohol based sprays to clean the scanner. Dust blown up by strong air from the spray may enter the inside of the scanner. This may cause the scanner to fail or malfunction. Sparks, caused by static electricity, generated when blowing off dust and dirt from the outside of the scanner may cause a fire.



When removing the power cable from the AC outlet, make sure to hold the power plug and not the cable. Pulling the power cable may damage it, which may cause a fire or electric shock.



Check the following items once a month:

- The power cable is firmly inserted into the AC outlet.
- The power cable is not emitting abnormal heat, or the power cable is not rusted or bent.
- Dust is not accumulated on the power cable. If so, wipe off any dust with a soft, dry cloth.
- The power cable does not have any cracks or scratches.

If any abnormality is detected, contact your FUJITSU scanner dealer or an authorized FUJITSU scanner service provider.



Do not use a damaged power cable. Also, do not insert any cables or power plugs into loose sockets. Doing so may cause a fire or electric shock. Be careful of the following when handling the power cable:

- Do not modify the power cable.
- Do not place heavy objects on the power cable.
- Do not pull or bend the power cable.

If the power cable is damaged, contact your FUJITSU scanner dealer or an authorized FUJITSU scanner service provider.



Make sure to ground to avoid electric shock. Be sure to ground before plugging into the AC outlet. Unplug from the outlet before removing the ground connection.

 CAUTION



When installing the scanner on a table, make sure that the table is flat and level. Place the scanner so that none of its parts extend beyond the edge of the table, otherwise it may fall or collapse and cause injuries.



Install the scanner away from strong magnetic fields and other sources of electronic noise. Protect the scanner against any static electricity and choose a static-free place to install the scanner. Static electricity can cause the scanner to malfunction.



If there is an electrical storm, disconnect the power cable from the AC outlet. Lightening can travel through wires and water pipes and damage the scanner, which may damage your property.



Do not supply the power from the AC outlet where the devices requiring much power such as copying machines or paper shredders are connected.



Do not block the ventilation ports. Blocking the ventilation ports generates heat inside of the scanner, which may result in a fire or scanner failure.



Do not use the scanner immediately after moving it from a cold place into a warm room. Condensation may occur, which might lead to scanning errors. Let the scanner dry for one or two hours before you use it.



When handling documents, be careful not to cut your fingers with them.



When carrying the scanner outside while it is raining or snowing, pay special attention so the scanner does not get wet. If the scanner gets wet, wipe it or wait until it dries.



When transporting the scanner, never carry it alone. The scanner is heavy.

Chapter1 PREPARING THE SCANNER

1.1 Checking the Contents of the Scanner Package

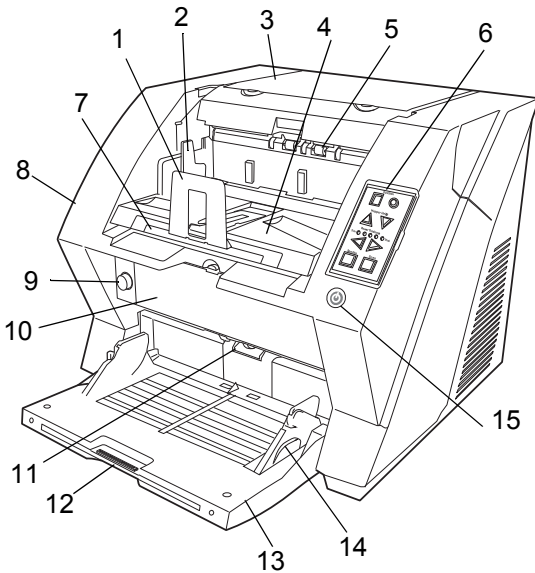
When you unpack the scanner package, make sure that the package contains all the parts on the list included in the package.

If any parts are missing or defective, contact your scanner dealer or an authorized FUJITSU scanner service provider. Handle the scanner and accessories with care.

1.2 Names of Parts

This section describes the names of parts.

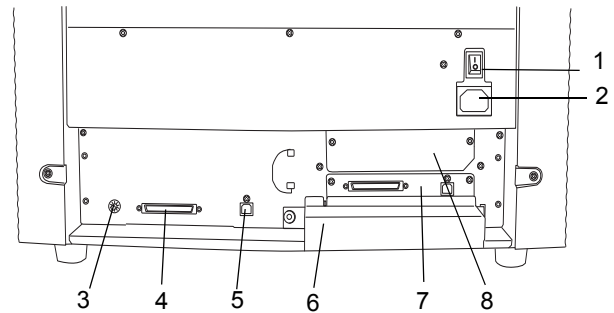
■ Front Side



No.	Name	Function
1	Stopper	Prevents ejected documents from dropping off the scanner.
2	Stacker side guide	For aligning ejected documents to a certain width.
3	Top cover	Cover to access the consumables storage box and Post Imprinter option (sold separately).
4	Stacker	Area where ejected paper collects after scanning.
5	Ejector	For ejecting the documents after scanning.
6	Operator panel	For operating the scanner.
7	Stacker extension	For scanning long documents. Pull the extension out according to the document's length.
8	ADF cover	Opens the cover for cleaning the inner parts of the ADF or for replacing consumables.

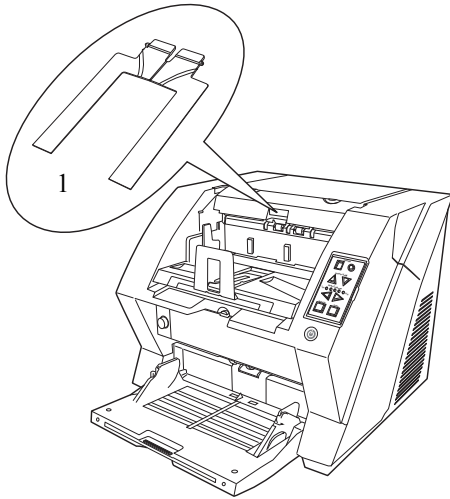
No.	Name	Function
9	ADF cover open button	Button used to open the ADF
10	Pre-imprinter cover	For the Pre-Imprinter option
11	ADF (Automatic document feeder)	The documents loaded onto the Hopper will be fed sheet by sheet for scanning.
12	Hopper extension	Pulls the Hopper extension out for loading long documents.
13	Hopper	Documents to be scanned are loaded onto the Hopper.
14	Hopper side guides	Sheet Guides used to make sure that the paper to be scanned is fed into the scanner straight, avoiding skew.
15	Power button	Switches the scanner ON&OFF.

■ Rear Side

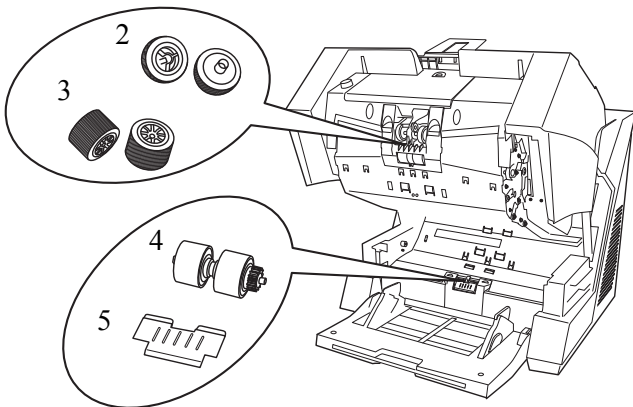


No.	Name	Function
1	Main power switch	For switching the power support ON/OFF.
2	Power inlet	For connecting the AC cable.
3	SCSI ID Switch	Sets the scanner's SCSI ID with this switch.
4	SCSI connector	For connecting the SCSI cable.
5	USB connector	For connecting the USB cable.
6	Extended memory slot	For connecting an extension memory (sold separately).
7	VRS slot	The VRS board has been installed
8	Extended slot	A spare slot for an option board

■ Removable Parts



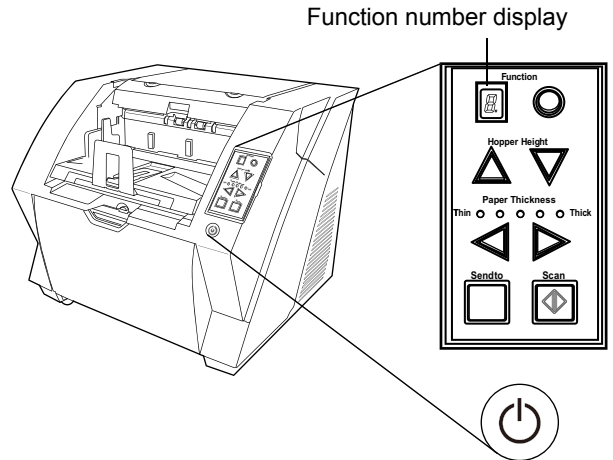
No.	Name	Description
1	Document smoother	Attached when the stacker position is set to align the ejected document by the leading edge, or when scanning documents with different widths.




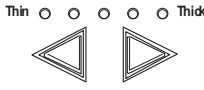





No.	Name	Description
2	Pick rollers	Rollers that pick the paper from the hopper into the ADF. This is a consumable item.
3	Separator rollers	Rollers used to help separate the paper as the feeding begins. This is a consumable item.
4	Brake roller	Roller used to help separate the paper as the feeding begins. This is a consumable item.
5	Pad	Separation Pad used to help separate the paper as the feeding begins. This is a consumable item.

1.3 Operator Panel

The operator panel is located on the right side of the scanner. The panel consists of a Function Number Display, buttons and a LED.

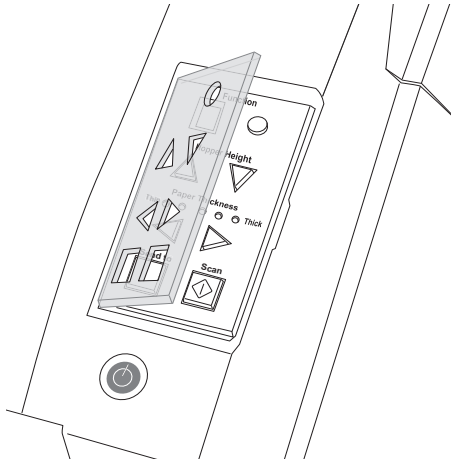


Name	Function
 	Shows the status of the scanner. For details, refer to " Indications on the Function Number Display " (page 3).
	Use these buttons to adjust the height of the Hopper to the Upper/Middle/Lower Positions. The hopper moves automatically to the right position after giving a scanning command. However, this may cause a delay before the actual scanning starts. To avoid unnecessary waiting time, it is recommended to set the hopper height prior to scanning. The approximate loading capacities are as follows (* these numbers differ depending on the document thickness): Upper: 100 sheets Middle: 300 sheets Lower: 500 sheets
	Use these buttons to adjust the paper thickness for the papers to be scanned. When picking errors or paper jams occur: Press the ◀ (Thin) button. When multifeed occurs: Press the ▶ (Thick) button. (Normally no need to change from the default setting)
	Use this button to start linked application. When this button is pressed at manual feed mode, the scanning stops immediately (*About the settings, refer to the "fi-5950 Operator's Guide" on the Setup DVD-ROM).

Name	Function
	Use this button to start linked application. When this button is pressed during scanning operation, the scanning is cancelled (*About the settings, refer to the "fi-5950 Operator's Guide" on the Setup DVD-ROM).
	Use this button to turn the power ON/OFF. When the power is turned on, the button is illuminated in blue.









Operator Panel Overlays are available in French, German, Italian, Spanish, and Chinese (Simplified). To change the overlay, open the plastic cover.



■ Indications on the Function Number Display

The following shows the indications on the Function Number Display.

No.	Descriptions
	Lights only one time upon turning on the scanner.
	Indicates that the scanner has been turned ON and is being initialized.
	Indicates that initialization has been completed successfully. This status is called "Ready Status."
 or 	Indicates that a temporary error (that users can solve) has occurred during the initialization or scanning of documents. "J" or "U" and an error number (1, 2, 4, 6, 8, 0) are displayed alternately. To return the scanner to the ready status ("1"), press the "Scan" or "Send to" button while the error is indicated.
	Indicates that a device alarm (that users can not solve) has occurred during the initialization or scanning of documents. "E" and an alarm number (0, 2 to 9, and A, c, d, F, 10 to 12, 15 to 19, 1A, 1b) are indicated alternately. To return the scanner to the ready status ("1"), press the "Scan" or "Send to" button. If this alarm occurs, turn the power off and then on again. If the alarm is indicated after turning on the power again, contact your service engineer.

2.1 Installing the Scanner

1. Place the scanner at its installation site.

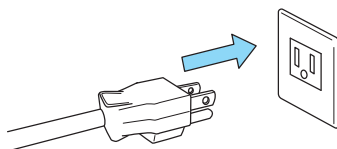
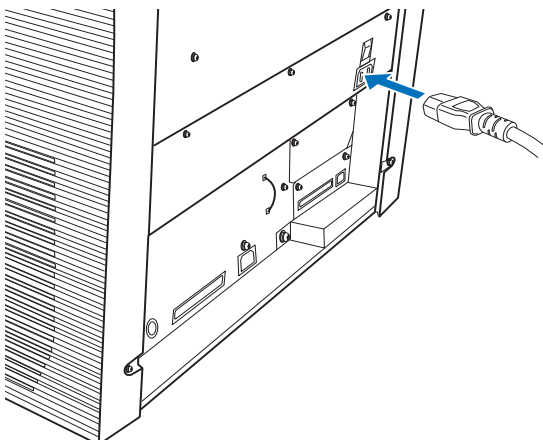
For details on the scanner's dimensions and required installation space, refer to the fi-5950 Operator's Guide, chapter "10. Scanner Specifications".



- The scanner weight is 50 kg (110 lb). Make sure two persons are available when moving the scanner.
- When carrying the scanner, only grip the bottom side.



2. Connect the AC cable to the Power inlet of the scanner and plug it into an outlet.



Use only the power cable provided by the manufacturer.



The Function Number Display and the LED may flash for an instant when plugging the AC cable into the outlet. This is not a malfunction.



2.2 Connecting the Scanner to Your PC

Connect either using the USB or SCSI interface.

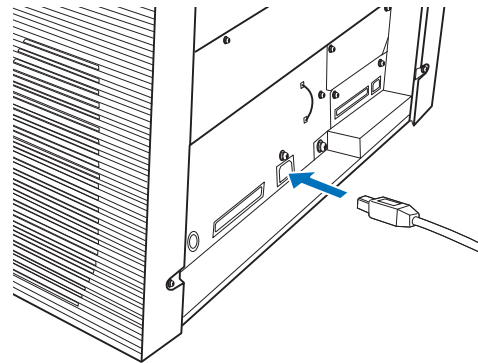


This scanner is provided with two interfaces: Ultra SCSI and USB 2.0 / 1.1. Connect only one of the USB or SCSI cable.



■ Connecting the USB Interface

1. Connect the USB cable to the USB connector.



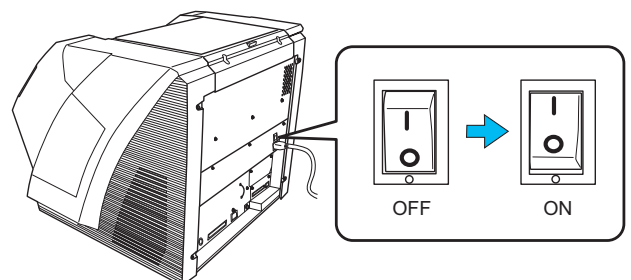
2. Connect the other end of the USB cable to your PC.



- Be sure to use the USB cable which comes with this scanner. Correct operation with commercially available cables is not guaranteed.
- When connecting to a USB hub, use the first stage USB hub that is closest to the computer. If you use the second or later hub stages, the scanner may not operate correctly.
- If you connect the scanner with USB 2.0, it is required that the USB port and Hub are compliant with USB 2.0. The scanning speed may slow down if it is connected with USB 1.1.



3. Press the "I" side of the main power switch to turn on the scanner.



■ Connecting the SCSI interface

When using the scanner with a SCSI interface, the following SCSI cable and SCSI card must be purchased.

- **SCSI cable**

Use a SCSI cable whose connector on the scanner side is the 68-pin high-density shielded-type and whose connector on the PC side fits the connector of the SCSI card to use.

It is recommended to use a cable of length 1.5 m or shorter.

- **SCSI card**

Find the recommended SCSI card information on the Fujitsu web site (FAQ).

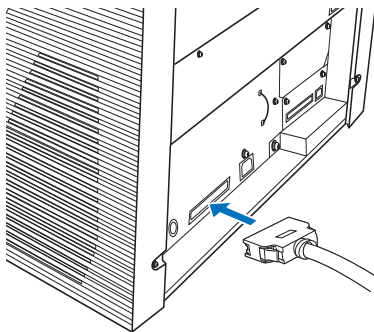
<http://www.fujitsu.com/global/support/computing/peripheral/scanners/scsi/>



- When connecting the SCSI cable, turn the scanner off. Be sure to connect the SCSI cable first, and then turn on the power of the scanner and PC.
- In a SCSI daisy chain configuration, connect the scanner so that it is the terminated device.



1. Insert the SCSI cable into the interface connector of the scanner until both sides click.



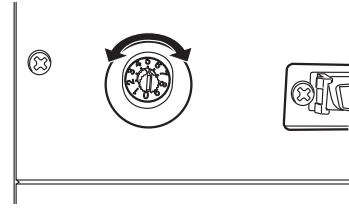
2. Connect the other end of the cable to your PC.



Be careful not to bend the pins of the SCSI cable when connecting to the scanner.



3. Set the SCSI ID using the SCSI ID switch on the back of the scanner.



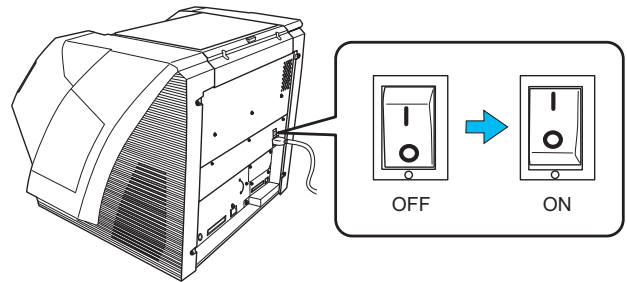
The SCSI ID is initially set to "5" at the factory.

If the SCSI ID of another SCSI device is set to the same ID, either change the scanner's SCSI ID or SCSI ID of the other SCSI device.

ID No.	Description
0 to 7	Can be set as the ID
8, 9	Works with the factory default value (SCSI ID = 5).

When the scanner is turned on, the SCSI ID set is enabled.

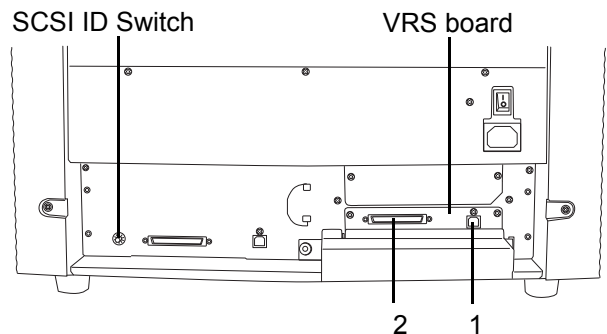
4. Press the "I" side of the main power switch to turn on the scanner.



■ When using Kofax VRS Professional (hereinafter referred to as "Kofax VRS")

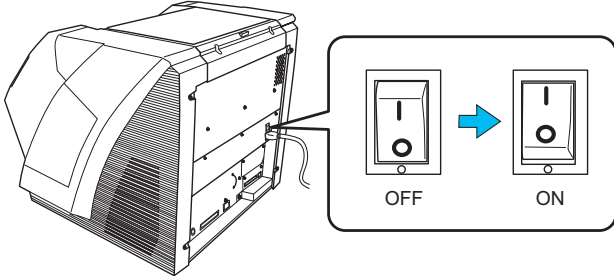
When using the Kofax VRS, you need to connect it to the exclusive VRS board with either the USB cable or SCSI cable.


1. If you use the USB cable, insert it into the interface connector (1) shown below. If you use the SCSI cable, insert it into the interface connector (2) shown below.



2. Connect the other end of the cable to your PC.

3. When using the SCSI cable, set the SCSI ID using the SCSI ID switch on the back of the scanner.
(Refer to step 3 in "[Connecting the SCSI interface on page 5.](#)")
4. Press the "I" side of the main power switch to turn on the scanner.



HINT  Kofax VRS is the image processing software manufactured by Kofax, Inc. It enables to correct image defects, such as document skew when scanned by the scanner, or "jitter" generated by colors or half-tone dot meshing, and so on. For details about Kofax VRS, refer to the Kofax VRS Help.


2.3 Installing the Scanner Software

■ Bundled Software

The scanner drivers and applications bundled with the scanner are as follows.

- **TWAIN Driver**
Conforms to the TWAIN standard. Used when you operate the scanner using TWAIN-compliant applications. FUJITSU Scanner USB HotFix may be installed at the same time depending on your operating system.
- **ISIS Driver**
Conforms to the ISIS standard. Used when you operate the scanner using ISIS-compliant applications.
- **Software Operation Panel**
Configures settings for scanning behavior and consumables management. Installed together with the scanner drivers (TWAIN driver/ ISIS driver) or Kofax VRS.
- **Error Recovery Guide**
Shows the error status and the action to take when an error occurs. Can be installed together with the scanner drivers (TWAIN driver/ISIS driver). Note this guide will not work if you use Kofax VRS.
- **Image Processing Software Option**
A software option featuring advanced binarization of scanned images. Can be installed together with the scanner drivers (TWAIN driver/ISIS driver).

- **Kofax VRS**
A software program that allows you to generate high-quality images with simple operations. The application automatically detects and corrects document skews during scanning, and characters blurred by coloring or shading.
- **ScandAll PRO**
A TWAIN/ISIS-compliant image scanning software (recommended). You can define scanning settings as batch profiles, to suit your various operation requirements. By defining scanning settings as batch profiles, you can easily perform scans in accordance with various operation requirements.
- **Scan to Microsoft SharePoint**
A software program that allows you to upload your files easily from ScandAll PRO to a SharePoint site. Can be installed together with ScandAll PRO.
- **QuickScan Pro (trial)**
A software program for scanning that conforms to the ISIS standard. By using an ISIS scanner driver, you can read scanned documents and create their images. This is a trial version, and can be executed 30 times before it is disabled. You will need to purchase the full product version if you wish to continue using it.
- **Manuals**
Includes Getting Started, Operator's Guide, and "Read Before Using VRS".
- **Scanner Central Admin Agent**
Used to centralize the management of multiple scanners, by allowing you to apply firmware updates simultaneously, monitor the operating status, and check the scanner information. Note that required applications will differ depending on the form of operation. For details, refer to the Scanner Central Admin 4.0 User's Guide.
- **Adobe Acrobat Standard**
The de-facto standard application used for creating, editing, managing, and making use of digitalized documents in PDF format.

ATTENTION  Adobe Acrobat, bundled with the scanner, may be upgraded without notice. Refer to Adobe Acrobat Help if the actual screens differ from those described in this manual.

■ System Requirements

The system requirements for fi-5950 are as follows.

Operating system	<ul style="list-style-type: none"> • Windows®2000 Professional (*1) (*2) (*4) • Windows® XP Professional • Windows® XP Professional x64 Edition (*2) (*3) • Windows® XP Home Edition (*2) • Windows Server® 2003, Standard Edition (*1) (*2) (*4) • Windows Server® 2003, Standard x64 Edition (*1) (*2) (*3) (*4) • Windows Server® 2003 R2, Standard Edition (*2) • Windows Server® 2003 R2, Standard x64 Edition (*2) (*3) • Windows Vista® Home Basic (32-bit/64-bit) (*2) (*3) • Windows Vista® Home Premium (32-bit/64-bit) (*2) (*3) • Windows Vista® Business (32-bit/64-bit) (*3) • Windows Vista® Enterprise (32-bit/64-bit) (*3) • Windows Vista® Ultimate (32-bit/64-bit) (*3) • Windows Server® 2008 Standard (32-bit/64-bit) (*2) (*3) • Windows Server® 2008 R2 Standard (*2) (*3) • Windows® 7 Home Premium (32-bit/64-bit) (*2) (*3) • Windows® 7 Professional (32-bit/64-bit) (*3) • Windows® 7 Enterprise (32-bit/64-bit) (*3) • Windows® 7 Ultimate (32-bit/64-bit) (*2) (*3)
DVD drive	Essential for installing the software
Interface	<ul style="list-style-type: none"> • Ultra SCSI (68-pin) • USB2.0 (High-Speed) • VRS (Ultra-Wide-SCSI/USB2.0)

*1: Scanner Central Admin Agent is not supported.

*2: Not supported by Kofax VRS.

*3: QuickScan Pro does not support the Windows 64-bit version.

*4: ScandAll PRO and Scan to Microsoft SharePoint are not supported.



Windows XP screen examples are used to explain the operations. The screens and operations may differ slightly depending on the operating system you are using.

■ Installing the Bundled Software

The following describes how to install the bundled software from the "Setup DVD-ROM" contained in the scanner package.

There are two ways to install the bundled software: [INSTALL (Recommended)] which installs all software programs needed to operate the scanner, or [INSTALL (Custom)] which installs selected software programs one at a time.

For how to install Adobe Acrobat, refer to "[Installing Adobe® Acrobat®](#)" (page. 8).



- If an old version of the software is installed already, uninstall it first. For how to uninstall software, refer to "[2.5 Uninstalling Supplied Programs](#)" (page. 10).
- Log on as a user with "Administrator" privileges (Administrators).

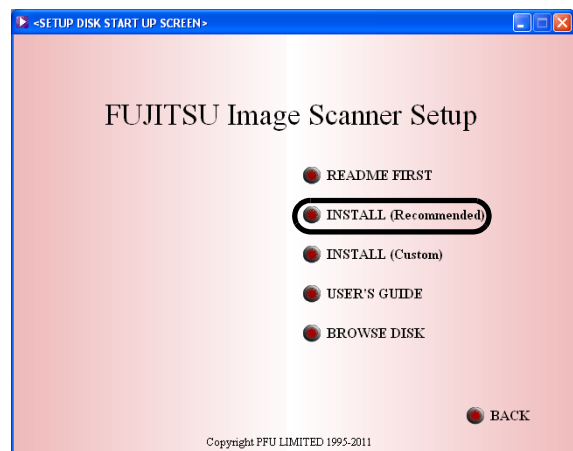
INSTALL (Recommended)

1. Turn on your computer and log onto Windows.
2. Insert the Setup DVD-ROM into the DVD drive.
⇒ The [FUJITSU Image Scanner Setup] screen appears.



If the [FUJITSU Image Scanner Setup] screen does not appear, find "AutoPlayer.exe" in the Setup DVD-ROM using "Windows Explorer" or "(My Computer)" and execute it directly.

3. Click the [INSTALL (Recommended)] button.



4. Install the software, following the onscreen instructions.

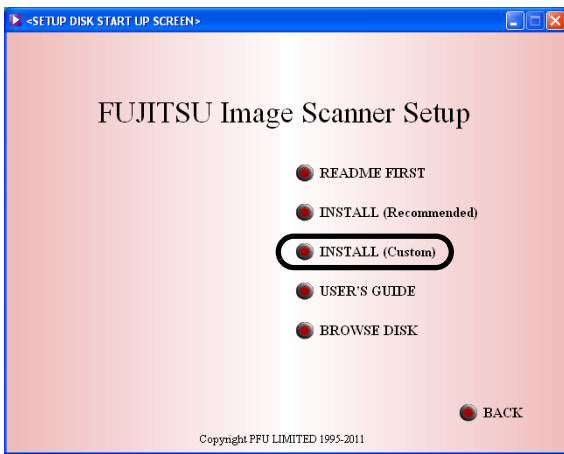


If Kofax VRS does not support the operating system, the recommended install does not install Kofax VRS. For more details, refer to "System Requirements" (page. 7).



INSTALL (Custom)

1. Perform Steps 1 and 2 in "INSTALL (Recommended)" (page. 7).
2. Click the [INSTALL (Custom)] button.



⇒ The [INSTALL PRODUCTS] screen appears.

3. Click the button of the software to be installed.
4. Install the software, following the onscreen instructions.

Repeat Steps 3 and 4 to install other software programs here.

■ Installing Adobe® Acrobat®

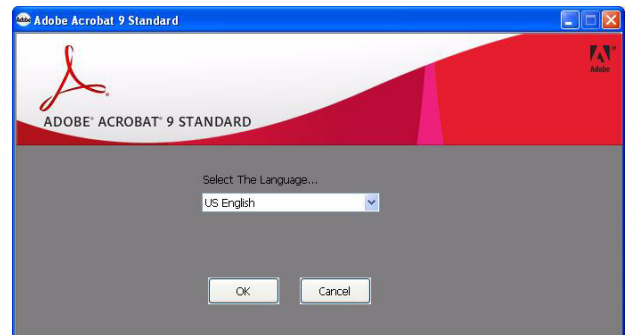
Install Adobe Acrobat using the following procedure from the "Adobe Acrobat DVD-ROM" supplied with the scanner.



You do not have to install Adobe Acrobat if it is already installed on your computer.



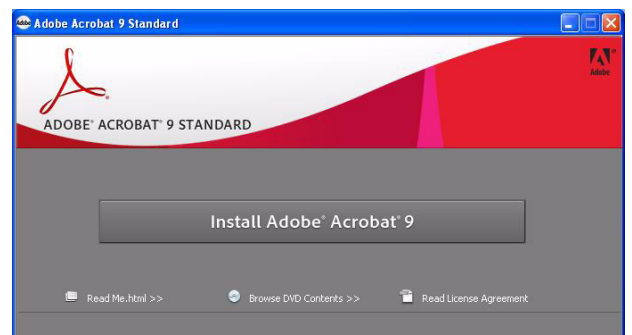
1. Insert the supplied "Adobe Acrobat DVD-ROM" into the DVD drive.
⇒ The DVD-ROM is recognized automatically, and the following dialog box appears.



This window is not displayed automatically when the "Auto play" setting of your computer is deactivated. In this case, run "AutoPlay.exe" of this DVD-ROM directly using the "Explore" or "(My) Computer."



2. Select [US English] in "Select The Language...", and then click the [OK] button.
⇒ The following dialog box appears.



3. Follow the on-screen instructions to install the software.



Refer to "Adobe Acrobat Help" about how to use Adobe Acrobat.



This Acrobat version does not support Windows 2000 and Windows Server 2008.

2.4 Checking Scanner Driver Operation

This section explains how to check the operation of the installed scanner driver by using ScandAll PRO. Make sure that the scanner driver is installed properly, following the procedure below.

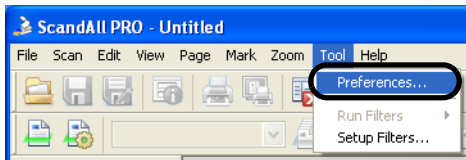
■ Checking the Operation of the Scanner Driver

1. Load the document on the scanner.
For information about how to load the document, refer to section "2.6 Loading Documents on the ADF for Scanning" in the "fi-5950 Operator's Guide."

2. Launch ScandAll PRO.

From the [start] menu, select [All Programs] ⇒ [Fujitsu ScandAll PRO] ⇒ [ScandAll PRO].

3. In ScandAll PRO, select [Tool] on the menu, and then select [Preferences].

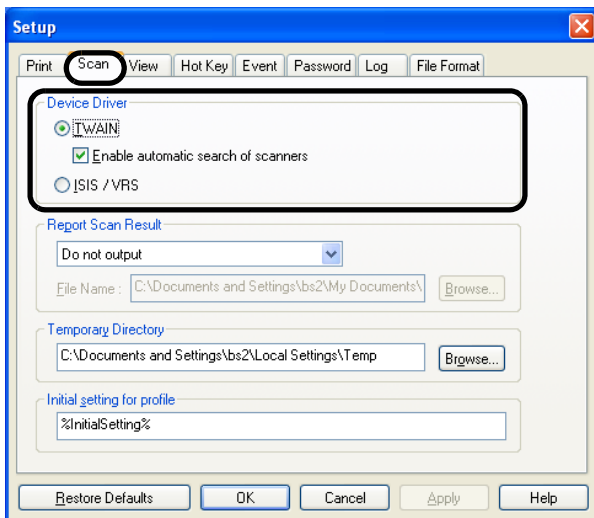


⇒ The [Setup] dialog box appears.

4. On the [Scan] tab, select a driver.

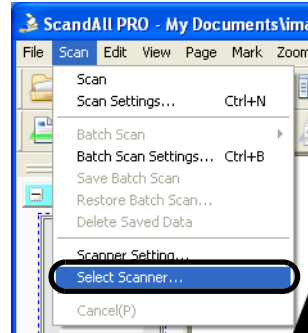
To check the operation of TWAIN driver, select [TWAIN].

To check the operation of the ISIS driver or Kofax VRS, select [ISIS/VRS].



5. Click the [OK] button to close the [Setup] dialog box.

6. In ScandAll PRO, select [Scan] on the menu, and then select [Select Scanner].



7. Select a scanner in the displayed dialog box.

To use TWAIN driver:

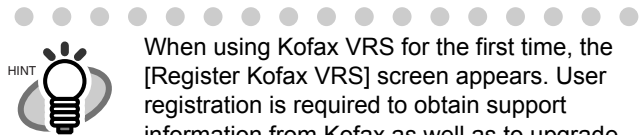
Select [FUJITSU fi-5950d], and then click the [Select] button.

To use ISIS driver:

Select [Fujitsu fi-5950], and then click the [Select] button.

To use Kofax VRS:

Select [Kofax VRS Scanner], and then click the [Select] button.



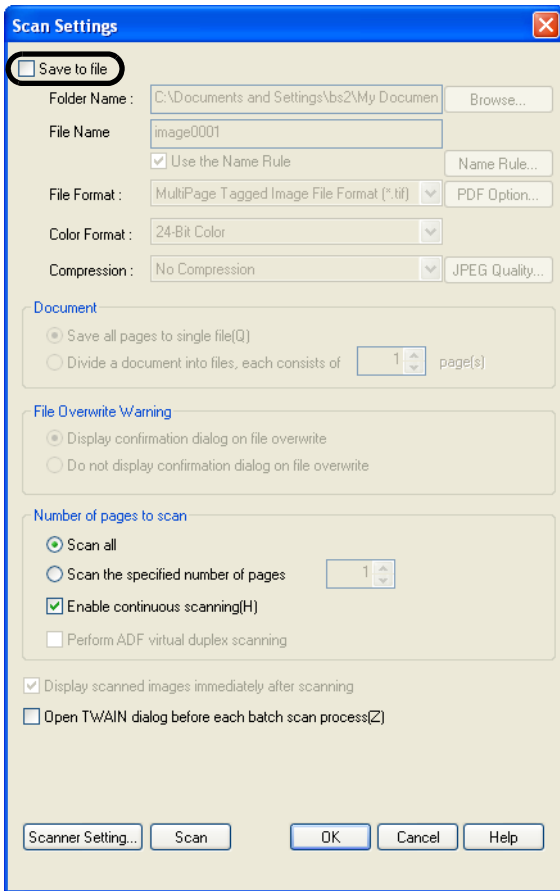
When using Kofax VRS for the first time, the [Register Kofax VRS] screen appears. User registration is required to obtain support information from Kofax as well as to upgrade the software, though Kofax VRS can still be used without user registration.


To register later, select [Start] menu ⇒ [All Programs] ⇒ [Kofax VRS] ⇒ [Kofax VRS Administration Console], and follow the on-screen instructions.

For details, refer to the Kofax VRS Installation Guide (PDF) which is included in the Setup DVD-ROM (\\VRS\HVRS\HVRS\Documentation).

8. Select [Scan] on the menu, and then select [Scan Settings].


- In the [Scan Settings] dialog box, clear the [Save to file] checkbox.



 **HINT** You only check the operation now, so you do not have to save to file.

- Click [Scanner Settings].
 - ⇒ A setup dialog box appears for you to configure scanner driver settings.
- Configure scanner settings such as the resolution and paper size.

TWAIN driver/ISIS driver/Kofax VRS scanner drivers:
Configure scan settings, and then click the [OK] button.

 **HINT** For a TWAIN driver, the scanner driver setup dialog box may be displayed again after the [OK] button is clicked. If this occurs, click the [Scan] button in the dialog box.

- In the [Scan Settings] dialog box, click the [Scan] button.
 - ⇒ The document is scanned and the scanned image is displayed in the [ScandAll PRO] window.


If the scanned document image is displayed in the window, it means that the scanner driver is installed properly.

For further information about how to scan documents, refer to the "fi-5950 Operator's Guide" or "ScandAll PRO V2.0 User's Guide" contained in the Setup DVD-ROM.

2.5 Uninstalling Supplied Programs

The following explains how to uninstall software applications provided with the scanner.

- Start your computer.

 **ATTENTION** Be sure to log on as a user with "Administrator" privileges.

- Exit all applications.
- From the [start] menu, select [Control Panel] ⇒ [Add or Remove Programs].
 - ⇒ In the [Add or Remove Programs] dialog box, you can view a list of installed applications.
- Select an application you want to uninstall as follows:
 - To remove TWAIN driver, select "**Scanner Utility for Microsoft Windows.**"
 - To remove ScandAll PRO, select "**Fujitsu ScandAll PRO.**"
After ScandAll PRO, you can also remove Scan to Microsoft SharePoint.
 - To remove Scan to Microsoft SharePoint, select "**Scan to Microsoft SharePoint.**"
 - To remove ISIS driver, select "**ISIS Driver - Fujitsu fi-5950.**"
 - To remove Error Recovery Guide, select "**Error Recovery Guide.**"
 - To remove Software Operation Panel, (Software Operation Panel is automatically installed together with TWAIN driver/ISIS driver/Kofax VRS), select "**Software Operation Panel.**"
 - To remove Kofax VRS, select "**Kofax VRS.**"
 - Scanner Central Admin Agent: Uninstall by referring to the Scanner Central Admin 4.0 User's Guide.
 - To remove QuickScan Pro™, select "**QuickScan.**"

- To remove FUJITSU Scanner USB HotFix, select "**FUJITSU Scanner USB HotFix.**"



- For information about how to uninstall Image Processing Software Option, refer to the "Image Processing Software Option User's Guide."
- For information about how to uninstall Adobe Acrobat, refer to Adobe Acrobat "Read Me."

5. Click the [Change/Remove] button or the [Remove] button.
6. When you see a confirmation dialog box, click the [OK] button or the [Yes] button.
⇒ Upon clicking the button, uninstallation is started.



Displays may vary depending on the operating system you are using. Follow the on-screen instructions.

Examples:

In Windows 2000, the window and button names described above are as follows:

- [Add or Remove Programs] ⇒ [Add/Remove Applications]
- The [Change/Remove] button ⇒ The [Add/Remove] button

In Windows Vista/Windows 7, the window and button names described above are as follows:

- [Add or Remove Programs] ⇒ [Uninstall a program]
- the [Change/Remove] or the [Remove] button ⇒ the [Uninstall/Change] or the [Uninstall] button

Appendix 1 TROUBLESHOOTING

■ Troubleshooting checklist

Symptom	Check this item	Remedy
Scanner does not turn on.	Have you pushed the power button on the front of the scanner?	Push the power button.
	Have you pushed the main power switch at the back of the scanner?	Push the Main power switch of the scanner. Then push the power button.
	Is the AC power cable properly connected to the scanner?	Correctly connect the AC power cable to the scanner adapter. Disconnect the AC power cable, then connect it again. If this does not restore the power supply, contact the store where you purchased the scanner or an authorized FUJITSU scanner service provider.
Scanning does not start.	Are documents loaded correctly on the hopper?	Load documents correctly on the hopper.
	Is the ADF closed completely?	Close the ADF completely.
	Is the USB cable or SCSI cable properly connected?	Correctly connect the cable. (When a USB hub is used, check the hub's power supply.)
	(When using the SCSI interface) Is SCSI ID set correctly?	Set SCSI ID correctly by SCSI ID switch on rear of scanner.
	Does the Function Number Display indicate an alarm or an error?	When the Function Number Display indicates an alarm or an error, refer to the "6. SOLVING COMMON PROBLEMS" in the fi-5950 Operator's Guide for removing the alarm or the error.
	Does the alarm state remain displayed even after the scanner has been turned off and back on again?	Turn off and on the power button. If this does not eliminate the alarm state, contact the store where you purchased the scanner or an authorized FUJITSU scanner service provider.
Vertical lines appear in the scanned image.	Is the glass dirty?	Clean the glass following the instructions in the fi-5950 Operator's Guide "4. DAILY CARE".
The scanned image shifts or is distorted.	Are the documents loaded correctly?	Load the documents correctly.
Quality of generated image is unsatisfactory.	Are the glass or sheet guides (Black/White reference area) clean?	Clean the dirty locations.
Multifeed* frequently occurs. *"Multifeed" is a phenomenon when two or more sheets of paper are fed simultaneously into the scanner.	Do the documents satisfy the "Document Quality" and the "Multifeed Detection Conditions" in the chapter 7 of the fi-5950 Operator's Guide?	Scan the documents that satisfy the "Document Quality" and the "Multifeed Detection Conditions" in the chapter 7 of the fi-5950 Operator's Guide.
	Are the documents set properly in the hopper?	Fan the documents before scanning. Correctly align the document stack and load them on the hopper. Refer to "2.6 Loading Documents on the Hopper" in the fi-5950 Operator's Guide for details.
	Is the document stack loaded on the hopper thicker than 50mm (2 inch)?	Reduce the number of sheets in the document stack to 50 mm (2 inch) thick or less.
	Are the Brake roller, the Separator roller or the Pad dirty?	Clean the Brake roller, the Separator roller or the Pad. Refer to the fi-5950 Operator's Guide "4. DAILY CARE".
	Are the Brake roller, the Separator roller or the Pad worn out?	Replace the Brake roller, Separator roller or the Pad. Refer to the fi-5950 Operator's Guide "5. REPLACEMENT OF CONSUMABLES".
	Have you set the Paper Thickness on the Operator panel?	Set the Paper Thickness thicker. Refer to "1.3 Operator Panel" (page. 2).

Symptom	Check this item	Remedy
Paper is not fed (pick error occurs frequently, or document stops midway).	Do the documents satisfy the "Document Quality" and the "Multifeed Detection Conditions" in the chapter 7 of the fi-5950 Operator's Guide?	Use the documents that satisfy the "Document Quality" and the "Multifeed Detection Conditions" in chapter 7 of the fi-5950 Operator's Guide.
	Are the Separator roller or the Pick rollers dirty?	Clean the Separator roller or the Pick rollers. Refer to the fi-5950 Operator's Guide "4. DAILY CARE".
	Are the Separator roller or the Pick rollers worn out?	Replace the Separator roller or the Pick rollers. Refer to the fi-5950 Operator's Guide "5. REPLACEMENT OF CONSUMABLES".
	Is there any debris on the document feed path?	Remove any debris from the document feed path.
	Have you set the Paper Thickness on the Operator panel?	Set the Paper Thickness thinner. Refer to " 1.3 Operator Panel " (page. 2).
The generated images are elongated.	Are the Feed rollers or the Pinch rollers dirty?	Clean the Feed rollers or the Pinch rollers. Refer to the fi-5950 Operator's Guide "4. DAILY CARE".
	Have you adjusted the Vertical Magnification?	Start up the Software Operation Panel, select [Device Set] and then click the [Offset] button. Adjust the vertical magnification. Refer to the fi-5950 Operator's Guide "8.3 Offset/Scan scale".
There is a shadow on the leading edge of the generated image.	Have you adjusted the offset (the scanning starting position)?	Start up the Software Operation Panel, select [Device Set] and then click the [Offset] button. Adjust the offset setting. Refer to the fi-5950 Operator's Guide "8.3 Offset/Scan scale".

■ Temporary error

Indication	Meaning
J0	The paper feeding stopped to protect jammed paper from damage.
U1	A paper feed error occurred.
U2	A multi feed error occurred.
U4	The ADF cover or the pre-imprinter cover is opened.
U6	The print cartridge is not set.
U8	One of the following error occurred: 1. The document sensors are dirty. 2. The stacker is full. 3. The Brake roller or Separator rollers are not installed properly.

The following shows the procedure for releasing of each of the temporary errors.

- "J0" or "U1" error
 1. Remove the document jammed or stopped in the ADF.
(Refer to the fi-5950 Operator's Guide "6.1 Clearing Document Jams" on the Setup DVD-ROM.)
 2. Confirm that the documents meet the paper specifications for scanning.
(Refer to fi-5950 Operator's Guide "7.2 Document Quality" on the Setup DVD-ROM.)
- "U2" error
Press the [Send to] button on the Operator Panel. The documents that were multi fed will be ejected.
- "U4" error
Close the ADF cover or pre-imprinter cover.
- "U6" error
This is a temporary error related to the Imprinter option (sold separately). For details, refer to the "fi-590PRF/ fi-590PRB Operator's Guide", "5 Error Message".
- "U8" error
 1. Clean the document sensors
For details refer to fi-5950 Operator's Guide "4.5 Cleaning the Transport path and the sensors".
 2. Verify that the number of sheets ejected to the stacker is below stacker's capacity, and that the Pick roller is not set for manual feeding.
 3. Verify that the both rollers are installed properly. For details, refer to fi-5950 Operator's Guide "5.5 Replacing the Separator Rollers" and "5.6 Replacing the Brake roller".

■ Device alarm (Permanent error)

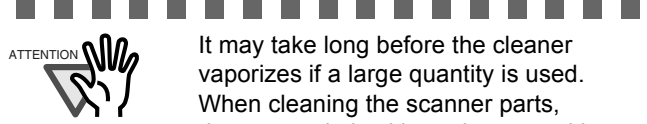
Indication	Meaning
E0	Hopper or Stacker error
E2	Optical system error (front)
E3	Optical system error (back)
E4	The motor fuse has blown out.
E5	The lamp fuse has blown out.
E6	Operator panel error
E7	Trouble occurred in the internal memory (EEPROM).
E8	SCSI fuse has blown out
E9	Image memory error
EA	Imprinter error
Ec	Image memory error
Ed	SCSI interface or USB interface controller error
EF	Background switching mechanism error
E10	ROM error
E11	Cooling fan error
E12	Heater error
E15	Extended memory error
E16	Option board error
E17	The imprinter fuse has blown out.
E18	Sensor error
E19	LSI error
E1A	Troubles occurred in the communication inside of the scanner.
E1b	5-volt fuse has blown out.

When you encounter any alarm, turn off and on the scanner. If the alarm is still displayed on the Function Number Display, contact the store where you purchased the scanner or an authorized FUJITSU scanner service provider.

Appendix 2 DAILY CARE



During its operation, the inside glass of the ADF becomes very hot. Before you clean inside the scanner, turn off its power and unplug the AC adapter from the outlet. Wait for at least 15 minutes. Do not turn off the scanner when you clean the Feed rollers or Eject rollers.



It may take long before the cleaner vaporizes if a large quantity is used. When cleaning the scanner parts, dampen a cloth with modest quantities of the cleaner. In addition, wipe off the cleaner completely with a soft lint-free cloth to leave no residue on the surface of the cleaned parts.

■ Cleaning Materials

Cleaning Materials	Parts No.	Remarks
Cleaning sheet	CA99501-0016	20 sheets/pack For the cleaning method, refer to "4 DAIRY CARE in the fi-5950 Operator's Guide.
Cleaner F1	PA03950-0352	1 bottle Moisten a cloth with this fluid and wipe the scanner to clean.
Cleaning wipe	PA03950-0419	24 sheets per pack (*1)(*2)
Cotton swab	Commercially available	
Lint-free dry cloth		

*1: For details about the cleaning materials, contact the FUJITSU scanner dealer where you purchased the scanner.

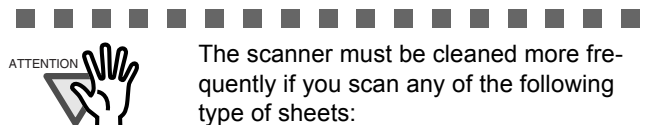
*2: Pre-moistened with Cleaner F1, Cleaning Wipes are used instead of moistened cloths.

■ Cleaning Method

The ADF and the Feed rollers must be cleaned with a lint-free cloth moistened with the Cleaner F1.

■ Locations and Cycle for Cleaning

Part to clean	Standard Cleaning Cycle
Pad	Clean these parts after every 10,000 scans.
Pick rollers	
Brake roller	
Separator rollers	
Feed rollers	
Pinch rollers	
Transport path	
Glass	
Skew-detection sensor	
Document sensor	



The scanner must be cleaned more frequently if you scan any of the following type of sheets:

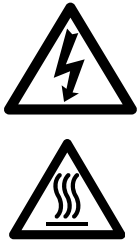
- Documents of coated paper
- Documents that are almost completely covered with printed text or graphics
- Chemically treated documents such as carbonless paper
- Documents containing a large amount of calcium carbonate
- Documents written with pencil
- Documents on which the toner is not sufficiently fused

For details on the cleaning the ADF, refer to "4.DAILY CARE" in the fi-5950 Operator's Guide on the Setup DVD-ROM".

Appendix 3 REPLACING CONSUMABLES



During its operation, the inside glass of the ADF becomes very hot. Before replacing the consumables, turn its power off and unplug the AC adapter from the outlet. Wait at least 15 minutes.



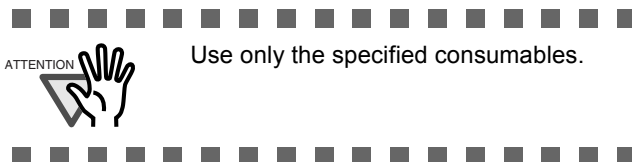
Consumables and Replacement Cycle

The followings are the specifications of consumables and their recommended replacement cycles.

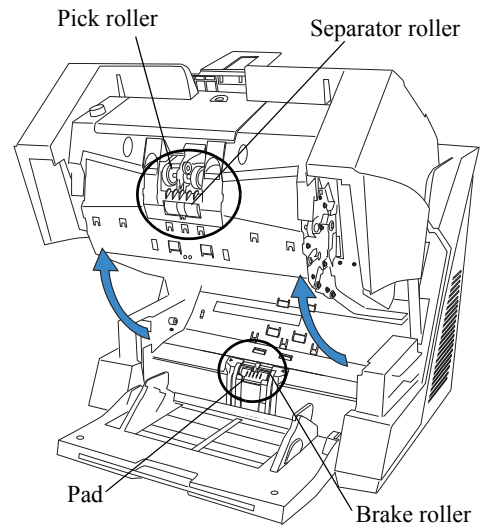
Description	Parts No.	Standard Replacement Cycle
Pad	PA03450-K014	After 600,000 scans or one year
Pick rollers	PA03450-K011	After 600,000 scans or one year
Brake roller	PA03450-K013	After 600,000 scans or one year
Separator rollers	PA03450-K012	After 600,000 scans or one year

To purchase consumables, contact the store where you purchased the scanner or an authorized FUJITSU scanner service provider.

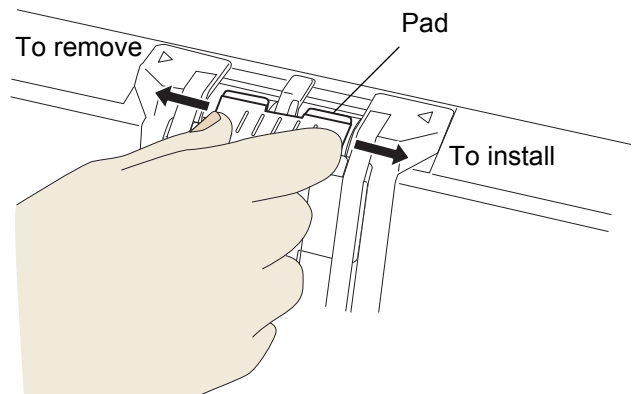
The replacement cycles above are rough guidelines when scanning A4/Letter sized, 80 g/m² [20lb] paper. This cleaning cycle varies according to the type of papers scanned and how frequently the scanner is used and cleaned.



The following illustrations show the locations of the consumables. Refer to "5. REPLACEMENT OF CONSUMABLES" in the fi-5950 Operator's Guide on the Setup DVD-ROM.

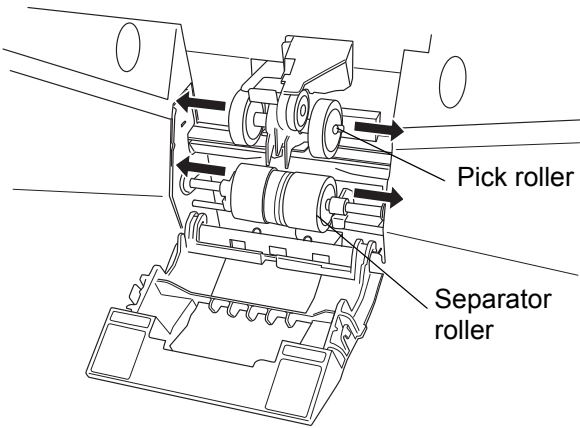
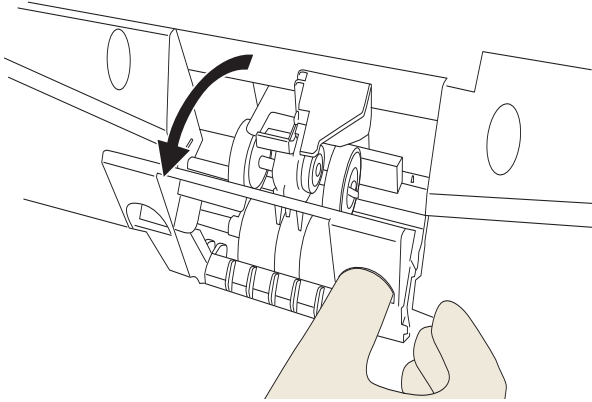


Pad

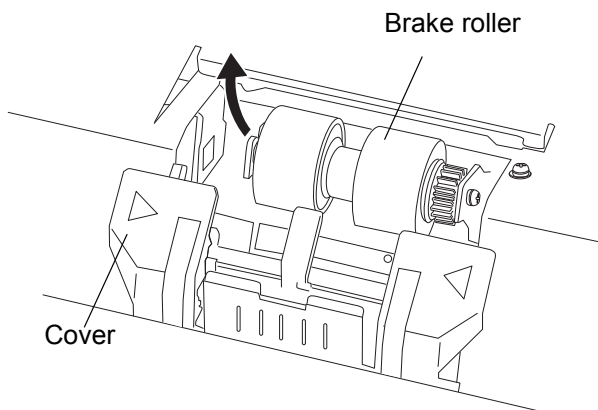
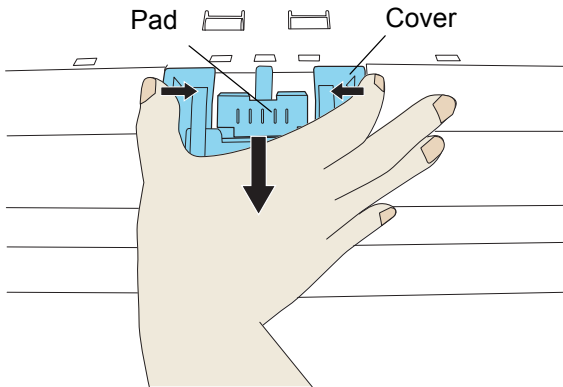


■ Pick roller

■ Separator roller



■ Brake roller



fi-5950 Image Scanner Getting Started

P3PC-3062-02EN

Issue Date: October, 2011

Issued by: PFU LIMITED

- Copying of the contents of this manual in whole or in part and copying of the scanner application is prohibited under the copyright law.
- The contents of this manual are subject to change without notice.
- PFU LIMITED is not liable whatsoever for any damages resulting from use of this scanner and procedures described in this manual, profit loss due to defects, and any claims by a third party.

Free Manuals Download Website

<http://myh66.com>

<http://usermanuals.us>

<http://www.somanuals.com>

<http://www.4manuals.cc>

<http://www.manual-lib.com>

<http://www.404manual.com>

<http://www.luxmanual.com>

<http://aubethermostatmanual.com>

Golf course search by state

<http://golfingnear.com>

Email search by domain

<http://emailbydomain.com>

Auto manuals search

<http://auto.somanuals.com>

TV manuals search

<http://tv.somanuals.com>