



Fujitsu P C Corporation

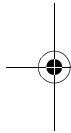


Radio Antenna Cover Kit Installation Guide

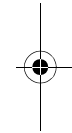
FMW42RC1 and FMW42RC2

For use with Stylistic™ 3400 and 3500 Pen Tablet PCs

I N S T R U C T I O N S



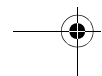
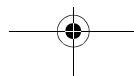
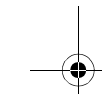
These instructions provide details on assembling and installing the radio antenna cover kit for the Stylistic Pen Tablet PC.



The antenna cover should be installed when most types of antenna protrude from a radio PC Card. The cover provides a rigid cap over the antenna to prevent damage during everyday use.

POINT

The FMW42RC1 antenna cover was tested with specific models of Symbol®, Proxim™, BreezeCom™, and AiroNet™ radios. The antennas on certain models and other brands of radio may protrude too far from the system to fit within this model of antenna cover. In those cases, the FMW42RC2 antenna cover should be used.



ASSEMBLING THE ANTENNA COVER KIT

Note: This section is applicable only to antenna cover model FMW42RC1 only; the FMW42CR2 model is pre-assembled.

The radio antenna cover kit consists of the following parts:

- Plastic Hood
- Plastic Base
- Two screws (M2.5 x 8 mm long, finish:black zinc)
- One tapping screw (Model FMW42RC1 only)

To assemble the radio antenna cover, place the hood atop the base as illustrated in Figure 1. Make sure the positioning tab is on the *inside* of the hood. Secure the two pieces with the tapping screw by inserting it through the hole in the base into the standoff inside the hood.

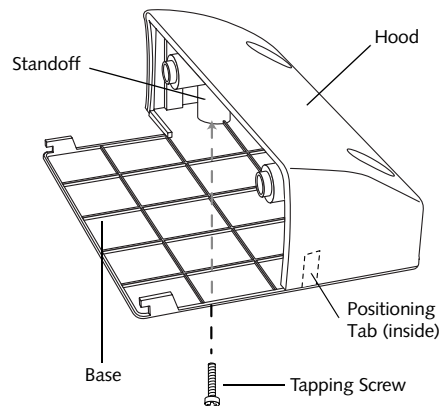


Figure 1. Assembling the Radio Antenna Cover

INSTALLING THE RADIO ANTENNA COVER

To attach the radio antenna cover to the pen tablet PC, perform the following steps.

1. Position the antenna cover in relation to the back of the pen tablet PC as shown in Figure 2.
2. If caps are present over the mounting holes, remove them with a small screwdriver, or similar tool.
3. If the FMW42CR2 antenna cover is being used, slide the open slot in the cover (as outlined in Figure 2) over the antenna so that the antenna protrudes from the cover.
4. Insert the antenna cover tabs into the two tab slots on the pen tablet.

Note: If the screws referenced in the step below are either lost or missing, they can be purchased at most hardware stores (Cross-recessed head Machine Screw with spring washer and flat washer. Size: M2.5 x 8 mm long. Finish:Black Zinc)

5. Insert the two black screws through the holes in the hood and secure them to the pen tablet.

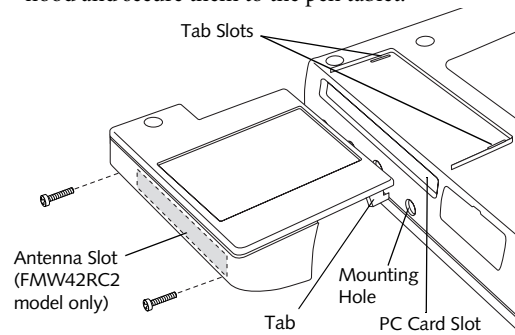
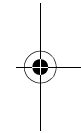
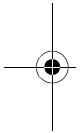
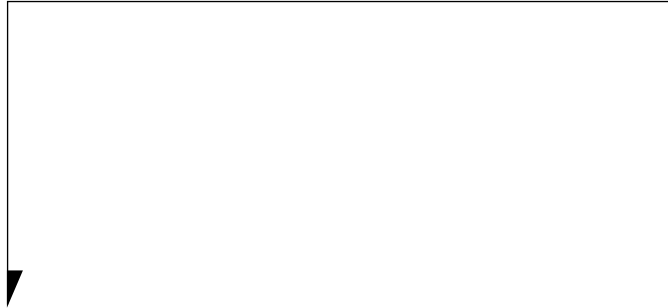


Figure 2. Installing the Radio Antenna Cover



FUJITSU

5200 Patrick Henry Drive
Santa Clara, CA 95054

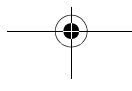
For more information, visit our Web site
at: www.fujitsupc.com

For technical support call:
1-800-8Fujitsu (1-800-838-5487)
or e-mail us at: 8fujitsu@fujitsupc.com

Fujitsu and the Fujitsu logo are registered trademarks of Fujitsu, Ltd. Stylistic is a trademark of Fujitsu PC Corporation. All other trademarks mentioned herein are the property of their respective owners. We cannot guarantee the accuracy of the contents of this document. We disclaim liability for errors, omissions or future changes.

© 2001 Fujitsu PC Corporation. All rights reserved.

FPC58-0497-02



Free Manuals Download Website

<http://myh66.com>

<http://usermanuals.us>

<http://www.somanuals.com>

<http://www.4manuals.cc>

<http://www.manual-lib.com>

<http://www.404manual.com>

<http://www.luxmanual.com>

<http://aubethermostatmanual.com>

Golf course search by state

<http://golfingnear.com>

Email search by domain

<http://emailbydomain.com>

Auto manuals search

<http://auto.somanuals.com>

TV manuals search

<http://tv.somanuals.com>