

CSF420G 20 INCH COLOR TELEVISION

FEATURES

- **MTS/SAP Tuner**
- **Flat Screen Picture Tube**
- **181 Channel Selection-** All VHF/UHF channels plus up to 125 cable channels.
- **PLL Frequency Synthesized Tuning-** Provides free and easy channel selection and lets you tune directly to any channel using the channel number buttons on the remote control.
- **Sleep Timer**
- **Closed Caption Decoder**
- **Auto Shut Off Function-** If there is no signal input from the antenna terminal and no user operation for 15 minutes, the TV will turn itself off automatically.
- **Resume Function-** If the power fails or is disconnected while the TV is on, the TV will turn on automatically when the power resumes.
- **V-CHIP-** Enables parents to prevent their children from watching inappropriate material on TV.
- **Full-Function Remote Control**
- **On-Screen Function Display**
- **S-VIDEO Input-** Allows you to get better picture detail and clarity.
- **Front AV Input**
- **Rear Audio Input**

PRECAUTIONS

- Place your TV in a room with adequate ventilation.
- Keep your TV set away from sources of direct heat, such as heat registers or direct sunlight.
- Do not place your TV on soft surfaces, such as rugs or blankets.
- Leave enough room for air to circulate around the bottom, top and back of the set.

The serial number of this product may be found on the back of the TV. No others have the same serial number as yours. You should record the number and other vital information here and retain this book as a permanent record of your purchase to aid identification in case of theft.

Date of Purchase		Dealer Phone No.	
Dealer Purchase from		Model No.	
Dealer Address		Serial No.	

IF YOU NEED ADDITIONAL ASSISTANCE WITH SET-UP OR OPERATING AFTER READING OWNER'S MANUAL, PLEASE CALL TOLL FREE 1-800-242-7158 OR VISIT OUR WEB SITE AT <http://www.Symphonic.us>

IMPORTANT SAFEGUARDS

WARNING:

TO REDUCE THE RISK OF FIRE OR ELECTRIC SHOCK, DO NOT EXPOSE THIS APPLIANCE TO RAIN OR MOISTURE.



CAUTION: TO REDUCE THE RISK OF ELECTRIC SHOCK, DO NOT REMOVE COVER (OR BACK) NO USER SERVICEABLE PARTS INSIDE. REFER SERVICING TO QUALIFIED SERVICE PERSONNEL.

The important note is located on the rear of the cabinet.

- READ INSTRUCTIONS** - All the safety and operating instructions should be read before the appliance is operated.
- RETAIN INSTRUCTIONS** - The safety and operating instructions should be retained for future reference.
- HEED WARNINGS** - All warnings on the appliance and in the operating instructions should be adhered to.
- FOLLOW INSTRUCTIONS** - All operating and use instructions should be followed.
- CLEANING** - Unplug TV from the wall outlet before cleaning. Do not use liquid cleaners or aerosol cleaners. Use a damp cloth for cleaning.
EXCEPTION: A product that is meant for uninterrupted service and, that for some specific reason, such as the possibility of the loss of an authorization code for a CATV converter, is not intended to be unplugged by the user for cleaning or any other purpose, may exclude the reference to unplugging the appliance in the cleaning description otherwise required in item 5.
- ATTACHMENTS** - Do not use attachments not recommended by the TV manufacturer as they may cause hazards.
- WATER AND MOISTURE** - Do not use this TV near water, for example, near a bath tub, wash bowl, kitchen sink, or laundry tub, in a wet basement, or near a swimming pool, and the like.
- ACCESSORIES** - Do not place this TV on an unstable cart, stand, tripod, bracket, or table. The TV may fall, causing serious injury to someone, and serious damage to the appliance. Use only with a cart, stand, tripod, bracket, or table recommended by the manufacturer, or sold with the TV.
Any mounting of the appliance should follow the manufacturer's instructions and should use a mounting accessory recommended by the manufacturer. An appliance and cart combination should be moved with care. Quick stops, excessive force, and uneven surfaces may cause the appliance and cart combination to overturn.
- VENTILATION** - Slots and openings in the cabinet and the back or bottom are provided for ventilation and to ensure reliable operation of the TV and to protect it from overheating, these openings must not be blocked or covered. The openings should never be blocked by placing the TV on a bed, sofa, rug, or other similar surface. This TV should never be placed near or over a radiator or heat register. This TV should not be placed in a built-in installation such as a bookcase or rack unless proper ventilation is provided or the manufacturer's instructions have been adhered to.
- POWER SOURCES** - This TV should be operated only from the type of power source indicated on the marking label. If you are not sure of the type of power supply to your home, consult your appliance dealer or local power company. For TVs intended to operate from battery power, or other sources, refer to the operating instructions.
- GROUNDING OR POLARIZATION** - This TV is equipped with a polarized alternating-current line plug (a plug having one blade wider than the other). This plug will fit into the power outlet only one way. This is a safety feature. If you are unable to insert the plug fully into the outlet, try reversing the plug. If the plug should still fail to fit, contact your electrician to replace your obsolete outlet. Do not defeat the safety purpose of the polarized plug.
- POWER-CORD PROTECTION** - Power-supply cords should be routed so that they are not likely to be walked on or pinched by items placed upon or against them, paying particular attention to cords at plugs, convenience receptacles, and the point where they exit from the appliance.
- OUTDOOR ANTENNA GROUNDING** - If an outside antenna or cable system is connected to the TV, be sure the antenna or cable system is grounded so as to provide some protection against voltage surges and built-up static charges. Article 810 of the National Electrical Code, ANSI/NFPA No. 70, provides information with respect to proper grounding of the mast



THIS SYMBOL INDICATES THAT DANGEROUS VOLTAGE CONSTITUTING A RISK OF ELECTRIC SHOCK IS PRESENT WITHIN THIS UNIT.

THIS SYMBOL INDICATES THAT THERE ARE IMPORTANT OPERATING AND MAINTENANCE INSTRUCTIONS IN THE LITERATURE ACCOMPANYING THE APPLIANCE.

FUNAI CORPORATION LIMITED WARRANTY

FUNAI CORP. will repair this product, free of charge in Canada in the event of defect in materials or workmanship as follows:

DURATION:

PARTS: FUNAI CORP. will provide parts to replace defective parts without charge for one (1) year from the date of original retail purchase. Two (2) years for Picture Tube. Certain parts are excluded from this warranty.

LABOR: FUNAI CORP. will provide the labor without charge for a period of ninety (90) days from the date of original retail purchase.

LIMITS AND EXCLUSIONS:

THIS WARRANTY IS EXTENDED ONLY TO THE ORIGINAL RETAIL PURCHASER. A PURCHASE RECEIPT OR OTHER PROOF OF ORIGINAL RETAIL PURCHASE WILL BE REQUIRED TOGETHER WITH THE PRODUCT TO OBTAIN SERVICE UNDER THIS WARRANTY.

This warranty shall not be extended to any other person or transferee.

This warranty is void and of no effect if any serial numbers on the product are altered, replaced, defaced, missing or if service was attempted by an unauthorized service center. This limited warranty does not apply to any product not purchased and used in Canada.

This warranty only covers failures due to defects in material or workmanship which occurs during normal use. It does not cover damage which occurs in shipment, failures which are caused by repairs, alterations or product not supplied by FUNAI CORP., or damage which results from accident, misuse, abuse, mishandling, misapplication, alteration, faulty installation, improper maintenance, commercial use such as hotel, rental or office use of this product or damage which results from fire, flood, lightning or other acts of God.

THIS WARRANTY DOES NOT COVER PACKING MATERIALS, ANY ACCESSORIES (EXCEPT REMOTE CONTROL), ANY COSMETIC PARTS, COMPLETE ASSEMBLY PARTS, DEMO OR FLOOR MODELS.

FUNAI CORP. AND ITS REPRESENTATIVES OR AGENTS SHALL IN NO EVENT BE LIABLE FOR ANY GENERAL, INDIRECT OR CONSEQUENTIAL DAMAGES ARISING OUT OF OR OCCASIONED BY THE USE OF OR THE INABILITY TO USE THIS PRODUCT. THIS WARRANTY IS MADE IN LIEU OF ALL OTHER WARRANTIES, EXPRESS OR IMPLIED, AND OF ALL OTHER LIABILITIES ON THE PART OF FUNAI. ALL OTHER WARRANTIES INCLUDING THE WARRANTY OF MERCHANTABILITY AND FITNESS FOR A PARTICULAR PURPOSE, ARE HEREBY DISCLAIMED BY FUNAI AND ITS REPRESENTATIVES IN CANADA.

ALL WARRANTY INSPECTIONS AND REPAIRS MUST BE PERFORMED BY AN AUTHORIZED SERVICE CENTER. THIS WARRANTY IS ONLY VALID WHEN THE UNIT IS CARRIED-IN TO AN AUTHORIZED SERVICE CENTER.

THE PRODUCT MUST BE ACCOMPANIED BY A COPY OF THE ORIGINAL RETAIL PURCHASE RECEIPT. IF NO PROOF OF PURCHASE IS ATTACHED, THE WARRANTY WILL NOT BE HONORED AND REPAIRS COSTS WILL BE CHARGED.

ATTENTION:

FUNAI CORP. RESERVES THE RIGHT TO MODIFY ANY DESIGN OF THIS PRODUCT WITHOUT PRIOR NOTICE.

WARRANTY STATEMENT REGARDING NON AUTHORIZED REPAIRS:

To obtain warranty service, you must take the product, or deliver the product freight prepaid, in either its original packaging or packaging affording an equal degree of protection, to any AUTHORIZED SERVICE CENTER. FUNAI CORP. will not reimburse you for any service done by unauthorized service providers without prior written approval.

To locate your nearest AUTHORIZED SERVICE CENTER or for general service inquiries, please contact us at :

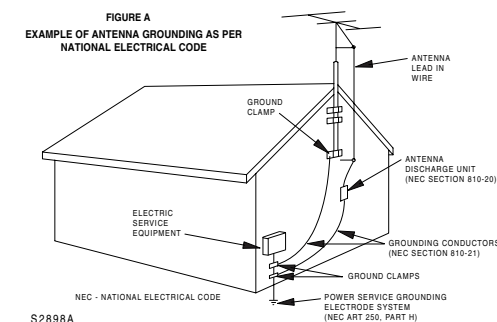
FUNAI CORPORATION
Customer Service
Tel : 1-800-242-7158
<http://www.Symphonic.us>
19900 Van Ness Avenue, Torrance, CA 90501

1EMN21832

Printed in Malaysia
L3315WR* * * * *

and supporting structure, grounding of the lead-in wire to an antenna discharge unit, size of grounding conductors, location of antenna-discharge unit, connection to grounding electrodes, and requirements for the grounding electrode. (Fig. A)

- LIGHTNING** - For added protection for this TV receiver during a lightning storm, or when it is left unattended and unused for long periods of time, unplug it from the wall outlet and disconnect the antenna or cable system. This will prevent damage to the TV due to lightning and power-line surges.
- POWER LINES** - An outside antenna system should not be located in the vicinity of overhead power lines or other electric light or power circuits, or where it can fall into such power lines or circuits. When installing an outside antenna system, extreme care should be taken to keep from touching such power lines or circuits as contact with them might be fatal.
- OVERLOADING** - Do not overload wall outlets and extension cords as this can result in a risk of fire or electric shock.
- OBJECT AND LIQUID ENTRY** - Never push objects of any kind into this TV through openings as they may touch dangerous voltage points or short out parts that could result in a fire or electric shock. Never spill liquid of any kind on the TV.
- SERVICING** - Do not attempt to service this TV yourself as opening or removing covers may expose you to dangerous voltage or other hazards. Refer all servicing to qualified service personnel.



FCC WARNING - This equipment may generate or use radio frequency energy. Changes or modifications to this equipment may cause harmful interference unless the modifications are expressly approved in the instruction manual. The user could lose the authority to operate this equipment if an unauthorized change or modification is made.

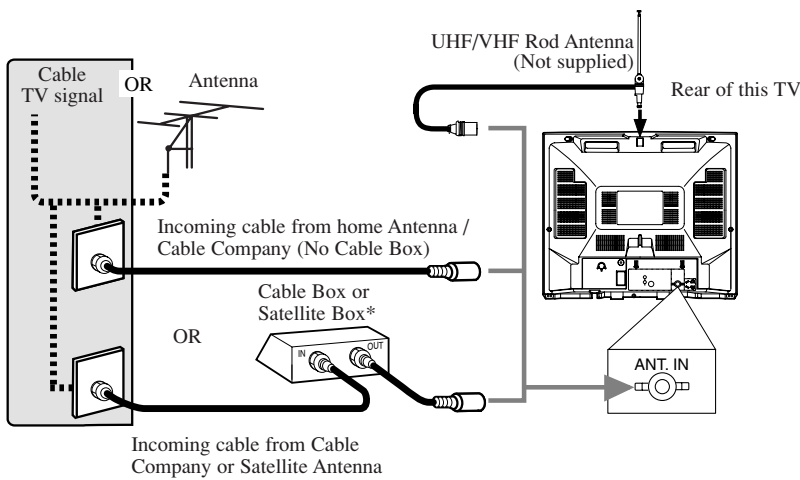
Note to CATV system installer:

This reminder is provided to call the CATV system installer's attention to Article 820-40 of the NEC that provides guidelines for proper grounding and, in particular, specifies that the cable ground shall be connected to the grounding system of the building as close to the point of cable entry as practical.

PREPARATION FOR USE

CONNECTIONS

Plug the incoming cable into the ANT. IN jack on the rear of the TV.



Cables not included

*Note (DO NOT DISCONNECT FROM BOX)
Some cable TV systems use scrambled signals and require a special converter to receive these channels. Consult your local cable company.

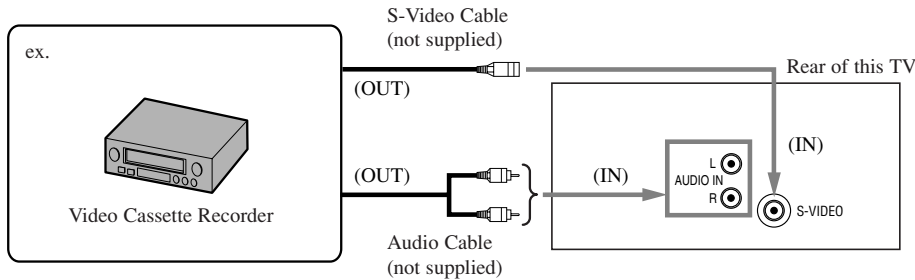
CAUTION: TO PREVENT ELECTRIC SHOCK, MATCH WIDE BLADE OF PLUG TO WIDE SLOT, FULLY INSERT.

Note:

- For your safety and to avoid damages to the unit, unplug the antenna cable from the ANT. IN jack before moving the unit.

[EXTERNAL CONNECTION]

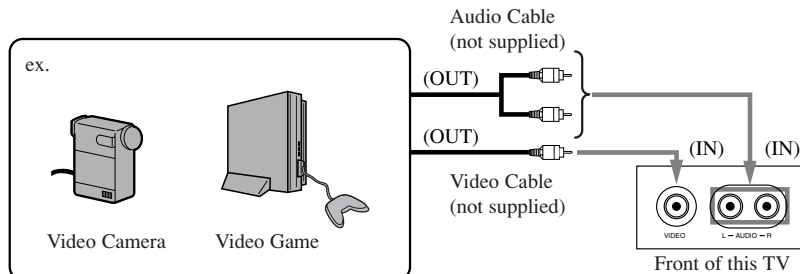
VIDEO1 input (Rear)



Note:

- The AUDIO L jack is for mono input. The sound is heard from both speakers. Use this jack for connecting monaural audio equipment.

VIDEO2 input (Front)

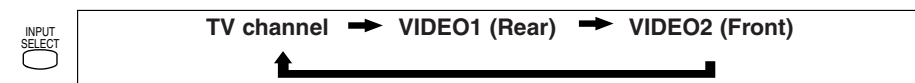


Note:

- The AUDIO L jack is for mono input. The sound is heard from both speakers. Use this jack for connecting monaural audio equipment.

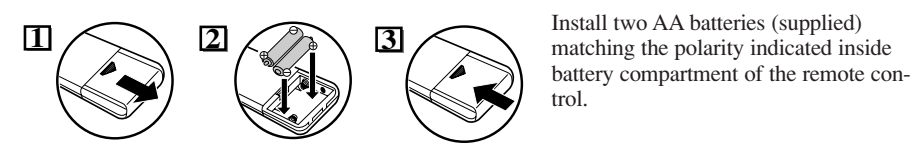
SELECTING AUDIO/VIDEO INPUT

When you use the AUDIO/VIDEO input jacks, select "VIDEO1" or "VIDEO2" mode by pressing [INPUT SELECT] on the remote control. The input mode changes by pressing the button as follows:



- To use the jacks on the rear of the TV, select "VIDEO1".
- To use the jacks on the front of the TV, select "VIDEO2".

INSTALLING THE BATTERIES



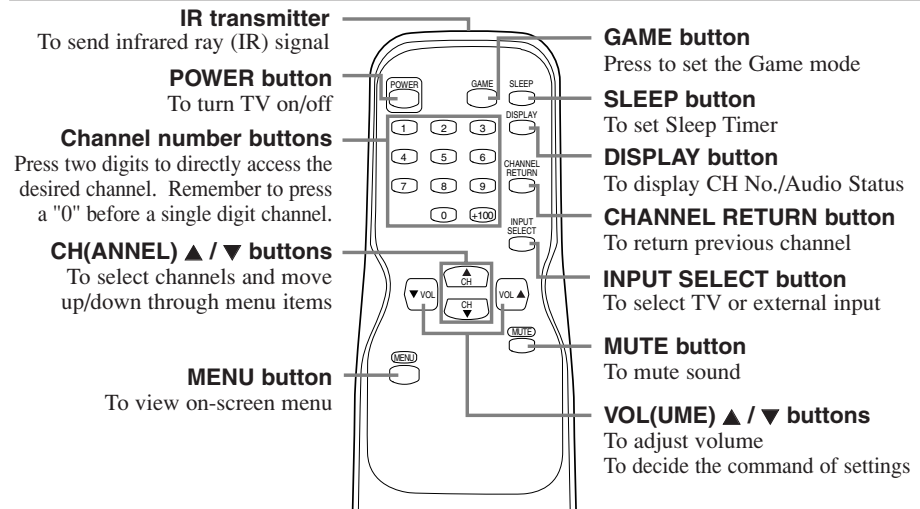
Install two AA batteries (supplied) matching the polarity indicated inside battery compartment of the remote control.

[BATTERY PRECAUTIONS]

- Be sure to follow the correct polarity as indicated in the battery compartment. Reversed batteries may cause damage to the device.
- Do not mix different types of batteries together (e.g. Alkaline and Carbon-Zinc) or old batteries with fresh ones.
- If the device is not to be used for a long period of time, remove the batteries to prevent damage or injury from possible battery leakage.
- Do not try to recharge batteries not intended to be recharged; they can overheat and rupture.

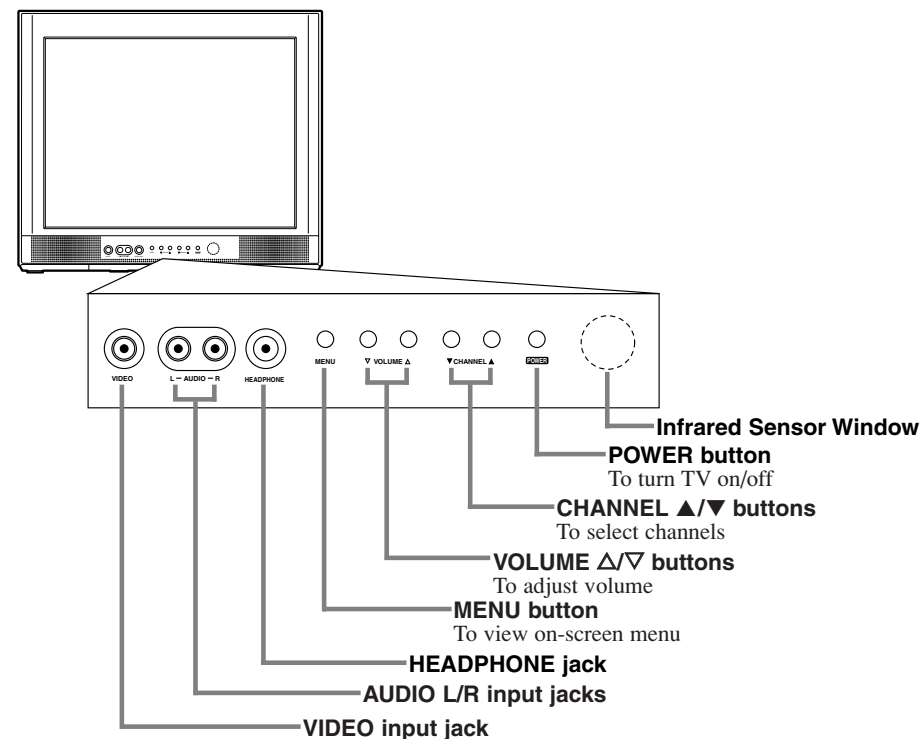
OPERATIONS

REMOTE CONTROL AND FRONT PANEL FUNCTION



Note:

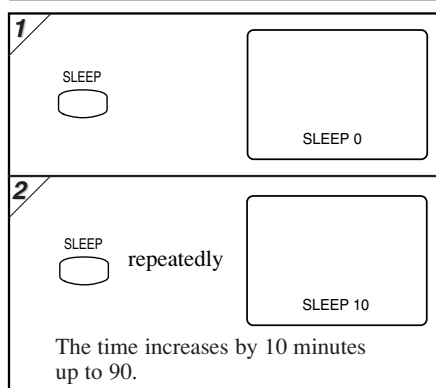
- You can test if the remote control sends out the infrared signal with an AM radio. (Refer to "TROUBLESHOOTING GUIDE".)



Note:

- If some digits appear in the corner of the screen when the unit is turned on for the first time, press [POWER] without unplugging the power cord.

SLEEP TIMER SETTING



Notes:

- When you disconnect the unit from the AC outlet or when you have a power failure, the sleep time will be lost.
- To cancel the sleep timer, press [SLEEP] repeatedly until "SLEEP 0" is displayed.
- The Sleep Timer Setting display will disappear automatically after 10 seconds of the operation.

OPERATIONS (Continued)

CHANNEL SETTING

[AUTO PRESET CHANNELS]

Channel presetting is necessary at the start or in case you moved the TV to a different area. This feature automatically scans and memorizes all available channels in your area and lets you easily select with [CH ▲/▼].

- Select "CHANNEL SET"**

PICTURE
CHANNEL SET
[ENG] / [ESP] / [FRA]
V-CHIP SET UP
CAPTION [OFF]
TV SOUND [MAIN]
- Select "AUTO PRESET CH"**

ADD/DELETE
AUTO PRESET CH

The tuner starts scanning automatically.
- When the scanning is completed, the lowest memorized channel appears on the TV screen.**

NO TV SIGNALS

Notes:

- The TV distinguishes between standard TV channels and cable (CATV) channels.
- The TV may recognize TV channels as CATV channels if reception condition is poor. If this happens, check the antenna connections and try steps 2 to 3 again when reception conditions are better.
- If there is no TV signal input, "NO TV SIGNALS" will appear on the display after the completion of channel scanning.

[ADDING/DELETING CHANNELS]

You can add channels that was not memorized by AUTO PRESET CH due to the bad reception status and also delete channels you no longer receive or seldom watch.

- Select "CHANNEL SET"**

PICTURE
CHANNEL SET
[ENG] / [ESP] / [FRA]
V-CHIP SET UP
CAPTION [OFF]
TV SOUND [MAIN]
- Select "ADD/DELETE"**

ADD/DELETE
AUTO PRESET CH
- Select the channel you wish**

OR 1 2 3
4 5 6
7 8 9
0 C100
- Add or delete the channel**

ADD/DELETE

Add: light blue
Delete: light red

Note:

- The menu will disappear automatically after about 10 seconds.

MULTI-CHANNEL TELEVISION SOUND (MTS)

- Select "TV SOUND"**

PICTURE
CHANNEL SET
[ENG] / [ESP] / [FRA]
V-CHIP SET UP
CAPTION [OFF]
TV SOUND [MAIN]
- Select the desired sound mode**

[MAIN] ↔ [MONO] ↔ [SAP]
- To exit the menu**

Menu Selection	MAIN	MONO	SAP*
Type of broadcast			
Regular	-None-	-None-	-None-
Stereo broadcast	STEREO	MONO	STEREO
SAP	MAIN	MAIN	SAP

*Second Audio Program (SAP) :

Sometimes broadcasters add another channel of audio to the programs they air. This is usually a secondary language or perhaps a radio station.

Note:

- If you select [SAP] when second audio channel is not available, the TV will receive normal audio.

PICTURE ADJUSTMENT

- Select "PICTURE"**

PICTURE
CHANNEL SET
[ENG] / [ESP] / [FRA]
V-CHIP SET UP
CAPTION [OFF]
TV SOUND [MAIN]
- Select an item to adjust**

[GAME MODE] ↔ [BRIGHT] ↔ [CONTRAST]
[SHARPNESS] ↔ [TINT] ↔ [COLOR]
- Adjust the setting**

[+] BRIGHT [-]
[+] TINT [-]
[+] COLOR [-]

GAME MODE

Set to the most suitable position for video games.
[-] : OFF [+]: ON

BRIGHT

Adjust until the darkest parts of the picture are as bright as you prefer.

[-] : decrease brightness
[+] : increase brightness

CONTRAST

Adjust to increase or decrease contrast.

[-] : decrease contrast
[+] : increase contrast

COLOR

Adjust to be brilliant or pale color.

[-] : be pale color [+]: be brilliant color

TINT

Adjust to obtain natural skin tones.

[-] : add red [+]: add green

SHARPNESS

Adjusts the detail of the picture.

[-] : less clearer [+]: more clearer

Notes:

- The display will disappear automatically after 10 seconds unless you press any buttons.
- Magnetism from nearby appliances and speakers might affect the color of the TV picture. If this happens, press [POWER] to turn off the TV and turn it on again after about 30 minutes.

GAME MODE

This feature is helpful for playing video games. By pressing [GAME], you can set Game mode (suitable picture setting for games) and TV selects automatically front A/V input.

- To use video games**

Picture: GAME
Input: Front (VIDEO2)

- To cancel Game mode only**

Picture: Customized
Input: Front (VIDEO2)

- To watch another input (TV or Rear Input)**

INPUT SELECT
VIDEO1
repeatedly

Notes:

- If you press [GAME] when the TV is off, the TV turns on and will be in Game mode and external input mode automatically.
- If you adjust another picture control while in Game mode, this mode will automatically be canceled.

CLOSED CAPTION

You may view specially labeled (cc) TV programs, movies, news and prerecorded tapes, etc. with either a dialogue caption or text display added to the program.

- Select "CAPTION"**

PICTURE
CHANNEL SET
[ENG] / [ESP] / [FRA]
V-CHIP SET UP
CAPTION [OFF]
TV SOUND [MAIN]

- Select the desired caption mode**

[OFF] ↔ [C1] ↔ [C2]
[T2] ↔ [T1]
- To exit the menu**

[CAPTION MODE (C1, C2)]

- CAPTION1 (C1) displays standard closed captions (what a character is saying).
- CAPTION2 (C2) displays foreign language closed captions (foreign language words showing what a character is saying).
- There are three ways of displaying text (which depend on the format the broadcaster is using):

Paint-on mode: Displays input characters on the screen immediately.

Pop-on mode : Once characters are stored in memory, they are displayed all at once.

Roll-up mode : Displays the characters continuously by scrolling (max. 4 lines).

[TEXT MODE (T1, T2)]

- TEXT1 (T1) and TEXT2 (T2) display half-screen text by scrolling (such as a channel guide, schedule or announcement).

Notes:

- If closed captioning is not broadcasted, you cannot receive it and nothing is displayed.
- When your TV receives a special effects playback signal (i.e., Search, Slow and Still) from a VCR's video output channel (CH3 or CH4), the TV may not display the correct caption or text.
- Captions and texts may not match the TV voice exactly.
- Interference may cause the closed caption system not to function properly.
- The caption or text characters will not be displayed while the menu display or functions display is shown.
- If a black box appears on the screen, this means that the TV is set to TEXT mode. To clear screen, select CAPTION [C1], [C2] or [OFF].

OPTIONAL SETTINGS

LANGUAGE SELECTION

- Select "[ENG] / [ESP] / [FRA]"**

PICTURE
CHANNEL SET
[ENG] / [ESP] / [FRA]
V-CHIP SET UP
CAPTION [OFF]
TV SOUND [MAIN]

- Select the desired language**

[ENG(lish)] ↔ [ESP(añol)]
[FRA(nçais)]
- To exit the menu**

OPTIONAL SETTINGS (Continued)

V-CHIP SET UP

This enables parents to prevent their children from watching inappropriate material on TV.

- The limitation is not available for news, sports programs, unedited movies on premium cable channels and Emergency Broadcast System signals.
- When you try to access a program which is blocked, "PROTECTED PROGRAM by ..." message appears on the TV screen.
- Programming may be rated by the Motion Picture Association of America (MPAA) or according to the Television Parental Guidelines. In order to block any inappropriate programming, set your limits in both MPAA RATING and TV RATING.

1 Select "V-CHIP SET UP"

PICTURE CHANNEL SET [ENG] / ESP / FRA
 ▶ V-CHIP SET UP
 CAPTION [OFF]
 TV SOUND [MAIN]

2 Enter 4-digit code

ACCESS CODE
 [] [] [] []

If you have not set up your personal access code, enter 0000 (default access code).

3 Select a feature to set up

▶ TV RATING [A]
 ▶ MPAA RATING [B]
 ▶ CHANGE CODE [C]

A [TV RATING SET UP]

4 Select a rating

▶ TV-Y [VIEW]
 TV-Y7 () [VIEW]
 TV-G [VIEW]
 TV-PG () [VIEW]
 TV-14 () [VIEW]
 TV-MA () [VIEW]

<Selection> <Rating Category Explanations>

- TV-Y : Appropriate for all children
- TV-Y7 : Appropriate for children seven and older
- TV-G : General Audience
- TV-PG : Parental Guidance suggested
- TV-14 : Unsuitable for children under 14
- TV-MA : Mature audience only

5-1 * Rating with no sub categories
 Set to [BLOCK] or [VIEW]

TV-Y [VIEW]
 TV-Y7 () [VIEW]
 TV-G [BLOCK]
 TV-PG (DLSV) [BLOCK]
 TV-14 (DLSV) [BLOCK]
 TV-MA (LSV) [BLOCK]

5-2 * Rating with sub categories

2 times

Select a rating

TV-Y [VIEW]
 TV-Y7 () [VIEW]
 TV-G [VIEW]
 TV-PG () [VIEW]
 TV-14 () [VIEW]
 TV-MA () [VIEW]

Sub categories

TV-PG [BLOCK]
 ▶ D [BLOCK]
 L [BLOCK]
 S [BLOCK]
 V [BLOCK]

Set to [BLOCK] or [VIEW]

TV-PG [BLOCK]
 ▶ D [VIEW]
 L [BLOCK]
 S [BLOCK]
 V [BLOCK]

<Selection> <Rating Category Explanations>

- TV-Y7 : Fantasy Violence
- TV-PG / TV-14 / TV-MA : Suggestive Dialog (TV-PG, TV-14 only)
- L : Coarse Language
- S : Sexual Situation
- V : Violence

6 To exit the menu

6 To exit the menu

Notes (for TV RATING and MPAA RATING):

- You cannot access the setup menu when the "PROTECTED PROGRAM by ..." message appears. Move to an unblocked channel before you press [MENU].
- When you select a rating and set it to [BLOCK], the higher ratings will be blocked automatically. The lower ratings will be available for viewing.
- When you set the lowest rating to [VIEW], all other ratings will automatically be available for viewing.

B [MPAA RATING SET UP]

4 Select a rating

▶ G [VIEW]
 PG [VIEW]
 PG-13 [VIEW]
 R [VIEW]
 NC-17 [VIEW]
 X [VIEW]

5 Set to [BLOCK] or [VIEW]

repeatedly

G [VIEW]
 PG [VIEW]
 PG-13 [VIEW]
 ▶ R [BLOCK]
 NC-17 [BLOCK]
 X [BLOCK]

<Selection> <Rating Category Explanations>

- G : General Audience
- PG : Parental Guidance suggested
- PG-13 : Unsuitable for children under 13
- R : Restricted; under 17 requires accompanying parent or adult guardian
- NC-17 : No one under 17 admitted
- X : Mature audience only

C [CHANGING THE ACCESS CODE]

4 Enter 4-digit code

NEW CODE [] [] [] []
 CONFIRM CODE [] [] [] []

5 To exit the menu

Notes:

- Make sure you enter exactly the same new code in the "CONFIRM CODE" space as you did in the "NEW CODE" space. If they are different, the "NEW CODE" space is cleared and you will need to enter the code again.
- Your personal access code will be erased and will return to the default (0000) when a power failure occurs or when you turn off the power using a wall switch. If you have forgotten the code, unplug the power cord for 10 seconds to restore the access code to 0000.

TROUBLESHOOTING GUIDE

Sometimes a performance problem can be easily solved by checking seemingly apparent but often overlooked possibilities. Before arranging for service, check these items. It could save your time and money.

QUICK SERVICE CHECK LIST	PROBLEM	POSSIBLE REMEDY													
		Remote Control Doesn't Work	Bars on Screen	Picture Distorted	Picture Rolls Vertically	No Color	Poor Reception on Some Channels	Weak Picture	Lines or Streaks in Picture	Ghosting in Picture	Picture Blurred	Sound OK, Picture Poor	Picture OK, Sound Poor	No Picture or Sound	Different Color Marks on Screen
Try a new channel, if OK, then possible station trouble.															
Is TV plugged in? Power at outlet?		X													
Is TV's power on?															
Is antenna or cable connected to terminal on the back of the set?															
If outside antenna is being used, check for broken wire or loose connection.		X	X	X	X	X	X	X	X	X	X	X	X	X	X
Check for local interference.		X	X	X	X	X	X	X	X	X	X	X	X	X	X
Turn off the TV and then turn it on after about a minute.															X
Adjust COLOR control.					X										
Adjust CONTRAST & BRIGHT control.								X							
Check batteries in remote control.		X													
Move the TV away from the nearby appliances which generate a magnetic field.															X
Turn off using [POWER], then turn it on again 30 minutes later or so.															
Check if there is an obstacle between the sensor and the remote control.		X													
Test the signal output.* If OK, then possible remote sensor trouble.		X													

*Additional Remote Test
 Tune an AM radio to a station with no broadcasting. Press a button on the remote control toward the radio. Sound will be fluttering when you press any key and the radio receives the signal. This means the remote control unit is working.

Closed Caption Problem	Possible Remedy
Misspelled captions are shown.	Spelling errors may pass through uncorrected by the closed captioning production company in a live broadcast.
Text is not shown in its entirety or there is a delay of what is being said.	Captions that are delayed a few seconds behind the actual dialogue are common for live broadcasts. Most captioning production companies can display a dialogue to a maximum of 220 words per minute. If a dialogue exceeds that rate, selective editing is used to insure that the captions remain up-to-date with the current TV screen dialogue.
Captions are scrambled with white boxes on the TV screen.	Interference caused by building, power lines, thunderstorms, etc. may cause scrambled or incomplete captions to appear.
No captions are displayed in a program which must contain closed caption.	Broadcasters may use a time compression process to the actual program so additional advertising time can be given. In this case, captions will be lost since the decoder cannot read the compressed information.
No captions are displayed when playing a prerecorded videotape with closed caption.	The videotape may be either an illegal copy or the tape duplicating company may accidentally have left out the captioning signals during the copying process.
The TV screen shows a black box.	You are in TEXT mode. Select CAPTION [C1], [C2] or [OFF].

MAINTENANCE

CABINET CLEANING

- Wipe the front panel and other exterior surfaces of the TV with a soft cloth immersed in lukewarm water and wrung dry.
- Never use a solvent or alcohol. Do not spray insecticide liquid near the TV. Such chemicals may cause damage and discoloration to the exposed surfaces.

PICTURE TUBE CLEANING

Wipe the picture tube of the TV with a soft cloth. Before cleaning the picture tube, disconnect the power cord.

SUPPLIED ACCESSORIES

- Owner's Manual (1EMN21832)
- Remote control unit (NE122UE)
- Batteries ("AA" x 2)

SPECIFICATIONS

GENERAL SPECIFICATIONS

Television system: NTSC-M
 TV Standard

Closed Caption System: §15.119/FCC

Channel coverage

VHF: 2 ~ 13
 UHF: 14 ~ 69
 CATV: 2 ~ 13, A ~ W, W+1 ~ W+84, A-5 ~ A-1, 5A

Tuning System: 181 channels frequency synthesized tuning system

Channel access: Direct access keyboard, programmable scan and up/down

Terminals

Antenna input: VHF/UHF/CATV 75 ohm unbalanced (F-type)

S-Video input: Mini DIN 4-pin jack

Video input: RCA connector x 1

Audio input: RCA connector x 4
 (2 (L/R) x Front / 2 (L/R) x Rear)

Headphone: 1/8" stereo (3.5mm)

Stereo Sound System
 2 speakers

ELECTRICAL SPECIFICATIONS

Sound output: 1W, 8 ohm x 2

OTHER SPECIFICATIONS

Remote control: Digital encoded infrared light system

Operating temperature: 5°C to 40°C (41°F~104°F)

Power requirements: AC120V, 60Hz

Power consumption (Maximum): 74W

Picture tube: 20"

Dimensions: H : 17-1/8" (435mm)
 W : 19-15/16" (506mm)
 D : 17-15/16" (455mm)

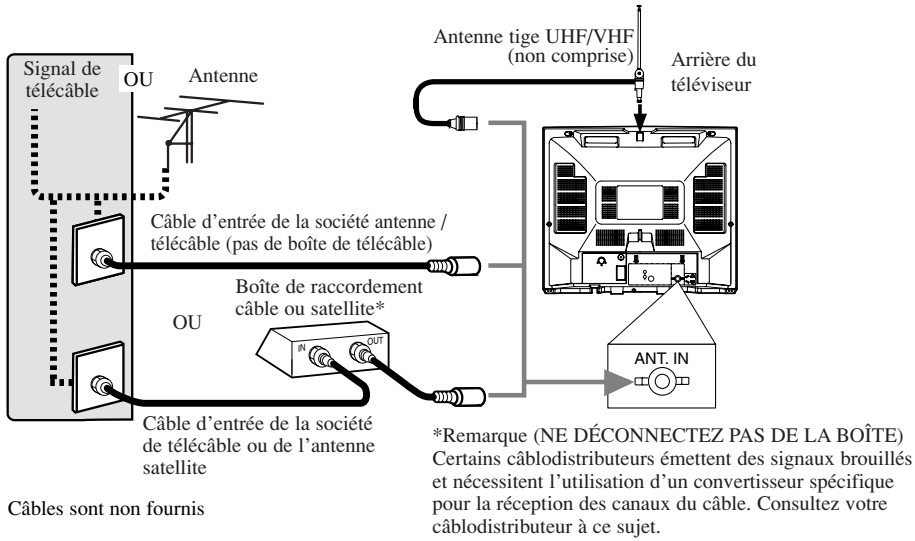
Weight: 44.1 lbs. (20kg)

• Designs and specifications are subject to change without notice and without our legal obligation.
 • If there is a discrepancy between languages, the default language will be English.

PRÉPARATIFS

RACCORDEMENTS

Branchez le câble d'entrée dans la prise ANT. IN à l'arrière de l'appareil.



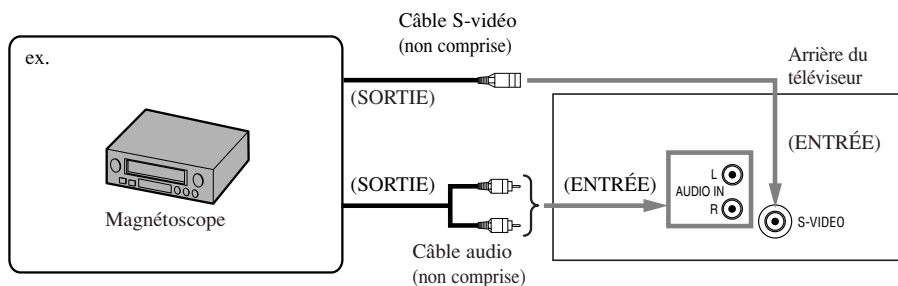
Câbles sont non fournis

ATTENTION : POUR ÉVITER LES CHOC ÉLECTRIQUES, INTRODUIRE LA LAME LA PLUS LARGE DE LA FICHE DANS LA BORNE CORRESPONDANTE DE LA PRISE ET POUSSER JUSQU'AU FOND.

Remarque :
• Pour votre sécurité et pour éviter d'endommager l'appareil, débranchez le câble d'antenne de la prise ANT.IN avant de déplacer l'appareil.

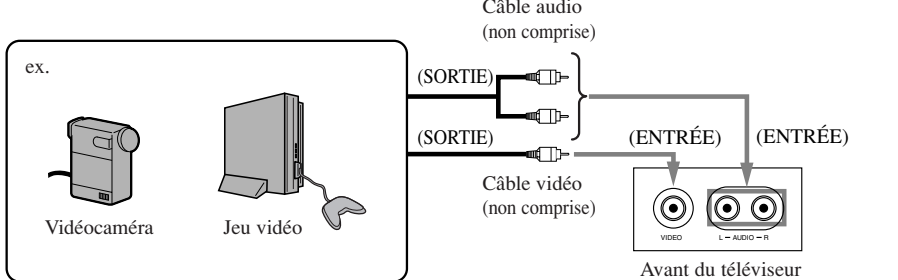
[RACCORDEMENT EXTÉRIEUR]

Entrée VIDEO1 (Arrière)



Remarque :
• La prise d'entrée AUDIO L est pour une entrée monophonique. Le son est entendu à partir des deux haut-parleurs. Utilisez cette prise pour un équipement monophonique devant être connecté.

Entrée VIDEO2 (Avant)



Remarque:
• La prise d'entrée AUDIO L est pour une entrée monophonique. Le son est entendu à partir des deux haut-parleurs. Utilisez ce prise pour un équipement monophonique devant être connecté.

SÉLECTION DE L'ENTRÉE AUDIO/VIDÉO

À l'emploi des prises d'entrée AUDIO/VIDEO, sélectionnez le mode "AUX1" ou "AUX2" en appuyant sur [INPUT SELECT] sur la télécommande. Le mode d'entrée change en appuyant sur les touches comme suit:



- Sélectionner "AUX1" pour utiliser les prises à l'arrière du téléviseur.
- Sélectionner "AUX2" pour utiliser les prises à l'avant du téléviseur.

INSTALLATION DES PILES

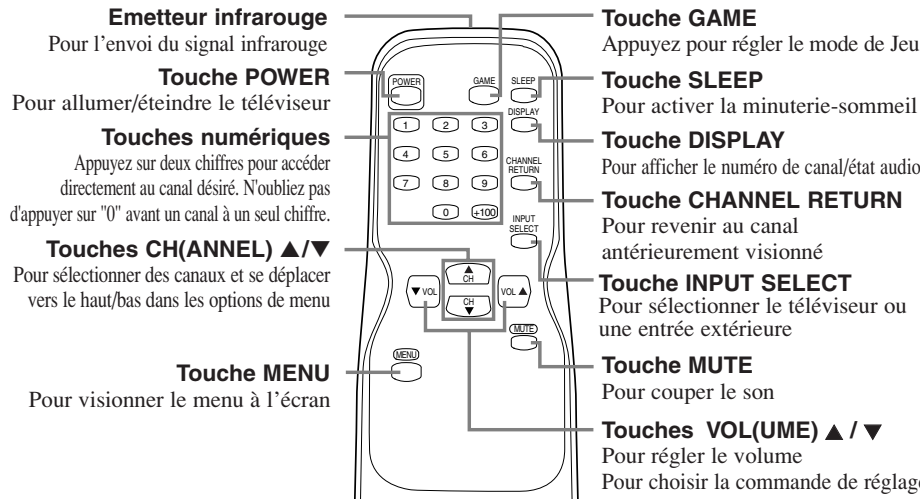


[PRÉCAUTIONS CONCERNANT LES PILES]

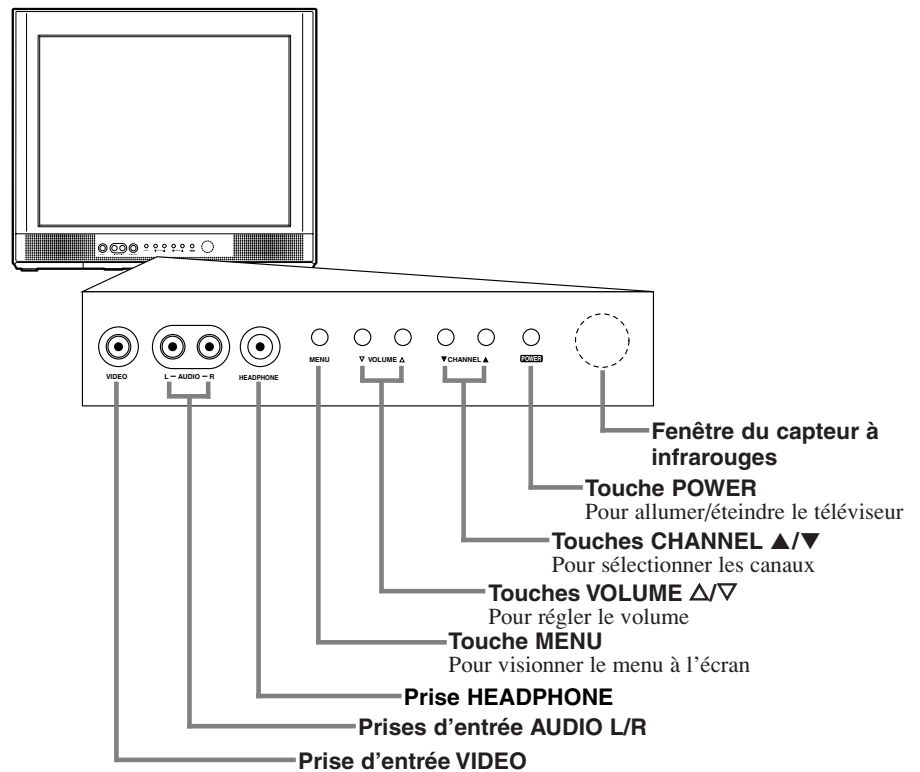
- Observez les polarités indiquées dans le logement piles. Des piles inversées peuvent endommager le dispositif.
- Ne mélangez pas différents types de piles (par ex. alcalines et carbone-zinc) ou des piles ancienne et neuve.
- Si le dispositif doit rester inutilisé pendant longtemps, retirez les piles pour éviter tout dommage ou blessure possible suite à la fuite des piles.
- N'essayez pas de recharger des piles non prévues pour la recharge; la surchauffe et la rupture sont possibles.

FONCTIONNEMENT

FONCTION DE LA TÉLÉCOMMANDE ET DU PANNEAU AVANT

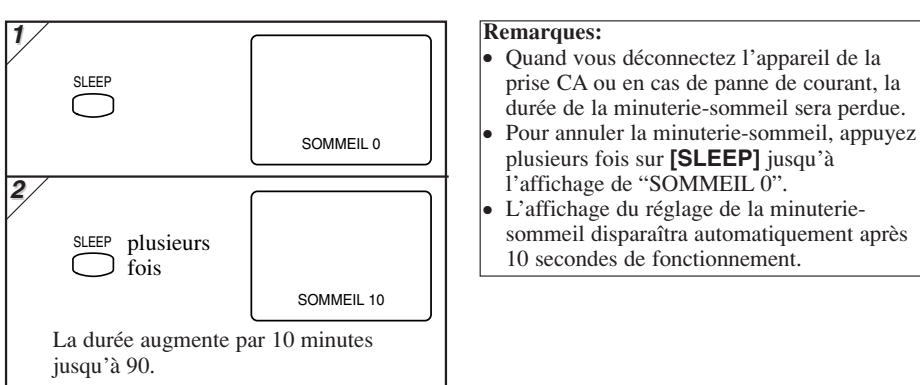


Remarque :
• Vous pouvez tester si la télécommande envoie le signal infrarouge avec une radio AM. (Voir "PROBLÈMES DE FONCTIONNEMENT".)



Remarque:
• Si plusieurs chiffres apparaissent dans le coin de l'écran à la première mise sous tension de l'appareil, appuyez sur [POWER] sans débrancher le cordon d'alimentation.

RÉGLAGE DE LA MINUTERIE-SOMMEIL



FONCTIONNEMENT (Suite)

RÉGLAGE DES CANAUX

[PRÉRÉGLAGE AUTOMATIQUE DES CANAUX]

Le préréglage des canaux est nécessaire au départ ou si vous avez transféré le téléviseur à une zone différente. Cette fonction balaye et mémorise automatiquement tous les canaux disponibles dans votre région et vous permet de les sélectionner facilement à l'aide de [CH ▲/▼].

1 Sélectionnez "RÉGL. CAN."

2 Sélectionnez "CH. AUTO PRÉRÉG"

Le sintoniseur commence automatiquement le balayage.

3 Le balayage terminé, le canal le plus bas en mémoire apparaît à l'écran.

Remarques:

- Le téléviseur fait la distinction entre canaux de télévision standard et canaux de câblodistribution (CATV).
- Le téléviseur peut reconnaître des canaux de télévision en tant que canaux CATV si les conditions de réception sont mauvaises. Dans ce cas, contrôlez les raccordements de l'antenne et essayez à nouveau les étapes 2 et 3 quand les conditions de réception sont meilleures.
- S'il n'y a pas d'entrée de signal de télévision, "PAS DE SIGNAL TV" apparaîtra à l'écran après le balayage des canaux.

[AJOUT/SUPPRESSION DE CANAUX]

Vous pouvez ajouter des canaux qui n'ont pas été mémorisés par CH. AUTO PRÉRÉG à cause des mauvaises conditions de réception et aussi supprimer les canaux que vous ne recevez plus ou regardez rarement.

1 Sélectionnez "RÉGL. CAN."

2 Sélectionnez "AJOUT/SUPP."

3 Sélectionnez le canal souhaité

OU

4 Ajoutez ou supprimez le canal

Ajout: bleu clair
Suppression: rouge clair

Remarque:

- Le menu disparaîtra automatiquement au bout d'environ 10 secondes.

Remarques:

- L'affichage disparaîtra automatiquement au bout de 10 secondes à moins que vous appuyiez sur une touche.
- Le magnétisme des appareils et des enceintes à proximité peut affecter la couleur de l'image du téléviseur. Dans ce cas, appuyez sur [POWER] pour éteindre le téléviseur et rallumez-le au bout d'environ 30 minutes.

MODE DE JEU

Cette fonction est utile pour les jeux vidéo. En appuyant sur [GAME], vous pouvez régler le mode de Jeu (réglage de l'image adaptée aux jeux) et le téléviseur sélectionnera automatiquement l'entrée A/V avant.

1 Pour utiliser des jeux vidéo

Image: JEU
Entrée: Avant (AUX2)

2 Pour annuler le mode de Jeu seulement

Sélectionnez "IMAGE"

Au bout de 10 secondes

Image: Personnalisée
Entrée: Avant (AUX2)

3 Pour regarder une autre entrée (TV ou Entrée arrière)

plusieurs fois

Remarques:

- Si vous appuyez sur [GAME] quand le téléviseur est éteint, il s'allume et passe automatiquement en mode de Jeu et en mode d'entrée extérieure.
- Si vous réglez une autre commande d'image en mode de Jeu, ce mode sera automatiquement annulé.

AFFICHAGE DE SOUS-TITRES

Vous pouvez visionner des émissions télévisées, films, informations, vidéocassettes pré-enregistrés, etc. qui sont spécialement étiquetés de "cc" et ajoutés des sous-titres du dialogue ou de texte.

1 Sélectionnez "S-TITRES"

2 Sélectionnez le mode de sous-titres souhaité

3 Pour quitter le menu

[MODE DE SOUS-TITRES (S1,S2)]

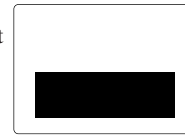
- S-TITRES1 (S1) affiche des sous-titres standard (ce qui dit un personnage)
- S-TITRES2 (S2) affiche des sous-titres en langue étrangère (mots de langue étrangère indiquant ce que dit le personnage)
- Il y a trois manières d'afficher le texte (ce qui dépend du format utilisé par le diffuseur):
 - Mode d'affichage instantané:** ceux-ci apparaissent à l'écran dès la réception du signal.
 - Mode d'affichage séquentiel:** une fois qu'ils sont mis en mémoire, les mots apparaissent à l'écran, tous à la fois, en une seule séquence.
 - Mode d'affichage continu:** les sous-titres défilent continuellement à l'écran, quatre (4) lignes de texte à la fois.

Remarques:

- Si aucun sous-titre n'est diffusé, vous ne pouvez pas le recevoir et rien n'est affiché.
- Lorsque votre téléviseur reçoit une commande de lecture spécifique (telle la recherche visuelle, le ralenti, l'arrêt sur image) provenant d'un magnétoscope auquel il est raccordé par le canal commun de transmission 3 ou 4 (CH 3 / CH 4), il se peut que l'affichage des sous-titres (ou du texte) soit altéré ou n'apparaisse plus à l'écran.
- Il est normal que les sous-titres et les textes ne soient pas précisément synchronisés avec la transmission sonore et visuelle de l'émission.
- De l'interférence magnétique causée par un appareil à proximité peut entraîner un mauvais fonctionnement de l'affichage des sous-titres.
- Ce téléviseur ne peut afficher les sous-titres et les textes lorsque la fonction d'affichage à l'écran du menu des fonctions et commandes est utilisée.
- Si une boîte noire apparaît à l'écran, cela signifie que le téléviseur est réglé au mode TEXTE. Pour effacer l'écran, sélectionnez S-TITRES [S1], [S2] ou [HF].

[MODE TEXTE (T1, T2)]

- TEXTE1 (T1) et TEXTE2 (T2) affichent un demi-écran de texte par défilement (comme guide de canaux, programme ou annonce).



SON DE TÉLÉVISION MULTIVOIE (MTS)

1 Sélectionnez "SON TV"

2 Sélectionnez le mode son souhaité

3 Pour quitter le menu

Sélection de menu	MAIN	MONO	SAP
Type de diffusion	-Aucn-	-Aucn-	-Aucn-
Diffusion stéréo	STÉRÉO	MONO	STÉRÉO
SAP	MAIN	MAIN	SAP

*Second Programme Audio (SAP) :

Parfois les diffuseurs ajoutent un autre canal audio au programme qu'ils diffusent. C'est ordinairement une langue secondaire ou parfois une station de radio.

Remarque:

- Si vous sélectionnez [SAP] quand le second canal audio n'est pas disponible, le téléviseur recevra le son normal.

AJUSTEMENT DES ASPECTS DE L'IMAGE

1 Sélectionnez "IMAGE"

2 Sélectionnez l'article à régler

3 Réglez le serte

MODO DE JEU

Ajustez l'image de manière à convenir aux jeux vidéo.

[-] : mise hors mode [+]: mise en mode

LUMINOSITÉ

Ajustez la luminosité jusqu'à ce que les parties les plus claires de l'image soient aussi brillantes que vous le désirez.

[-] : diminue la luminosité
[+] : augmente la luminosité

CONTRASTE

Augmentez ou diminuez les contrastes.

[-] : diminue le contraste
[+] : augmente le contraste

COULEUR

Réglez aux couleurs vives ou pâles.

[-] : couleurs plus pâles
[+] : couleurs plus vives

TEINTE

Ajustez la teinte pour obtenir la couleur de la peau naturelle.

[-] : ajout de rouge [+]: ajout de vert

NETTETÉ

Réglez pour détailler l'image.

[-] : adoucit [+]: rend plus net

RÉGLAGES OPTIONNELS

SÉLECTION DE LA LANGUE D'AFFICHAGE

1 Sélectionnez "ENG / ESP / [FRA]"

2 Sélectionnez la langue souhaitée

3 Pour quitter le menu

RÉGLAGES OPTIONNELS (Suite)

RÉGLAGE CIRCUIT V

Ceci permet aux parents d'éviter que leurs enfants regardent des matériaux inappropriés à la télévision.

- La limitation n'est pas disponible pour les informations, programmes sportifs, films non-édités sur canaux du câble optionnels et signaux du Système de Diffusion d'Urgence.
- Quand vous essayez d'accéder à un programme barré, le message "ÉMISSION PROTÉGÉE par ..." apparaît à l'écran.
- La programmation peut être classée par l'Association des Films des États-Unis (MPAA) ou selon les Règles Directrices Parentales sur la Télévision. Pour barrer toute programmation inappropriée, réglez vos limitations à la fois en COTE MPAA et COTE TV.

1 Sélectionnez "RÉGL. CIRCUIT V"

↓

IMAGE RÉGL. CAN. ENG / ESP / [FRA] ► RÉGL. CIRCUIT V S-TITRES [HF] SON TV [MAIN]

2 Entrez le code de 4 chiffres

1 2 3
4 5 6
7 8 9
0

CODE D'ACCES

Si vous n'avez pas encore réglé votre code d'accès personnel, entrez 0000 (code d'accès par défaut).

3 Sélectionnez une fonction à configurer

► COTE TV
► COTE MPAA
► CHANGER CODE

A B C

A [RÉGLAGE COTE TV]

4 Sélectionnez une cote

CH

► TV-Y [VISION]
TV-Y7 () [VISION]
TV-G [VISION]
TV-PG () [VISION]
TV-14 () [VISION]
TV-MA () [VISION]

<Sélection> <Explications sur la catégorie de classement>

- TV-Y : Approprié pour tous les enfants
- TV-Y7 : Approprié pour les enfants de 7 ans et plus
- TV-G : Pour tout le monde
- TV-PG : Gouverne parentale conseillée
- TV-14 : Ne convient pas pour les enfants au-dessous de 14 ans
- TV-MA : Seulement pour les adultes

5-1 * Cote sans sous-catégories

Réglez à [BARRÉ] ou [VISION]

VOL ▲

TV-Y [VISION]
TV-Y7 () [VISION]
TV-G [BARRÉ]
TV-PG (DLSV) [BARRÉ]
TV-14 (DLSV) [BARRÉ]
TV-MA (LSV) [BARRÉ]

5-2 * Cote avec sous-catégories

VOL ▲ 2 fois

Sélectionnez une cote

CH

TV-Y [VISION]
TV-Y7 () [VISION]
TV-G [VISION]
TV-PG () [VISION]
TV-14 () [VISION]
TV-MA () [VISION]

Sous-catégories

TV-PG [BARRÉ]
D [BARRÉ]
L [BARRÉ]
S [BARRÉ]
V [BARRÉ]

Réglez à [BARRÉ] ou [VISION]

VOL ▲

TV-PG [BARRÉ]
D [VISION]
L [BARRÉ]
S [BARRÉ]
V [BARRÉ]

<Sélection> <Explications sur la catégorie de classement>

- TV-Y7
FV : Violence de Fantaisie
- TV-PG / TV-14 / TV-MA :
D : Dialogue Suggestif (TV-PG, TV-14 seulement)
- L : Langage Vulgaire
- S : Situation Sexuelle
- V : Violence

6 Pour quitter le menu

MENU

B [RÉGLAGE COTE MPAA]

4 Sélectionnez une cote

CH

► G [VISION]
PG [VISION]
PG-13 [VISION]
R [VISION]
NC-17 [VISION]
X [VISION]

5 Réglez à [BARRÉ] ou [VISION]

VOL ▲ plusieurs fois

G [VISION]
PG [VISION]
PG-13 [VISION]
R [BARRÉ]
NC-17 [BARRÉ]
X [BARRÉ]

<Sélection> <Explications sur la catégorie de classement>

- G : Pour tout le monde
- PG : Gouverne parentale conseillée
- PG-13 : Ne convient pas pour les enfants au-dessous de 13 ans Limité; au-dessous de 17 ans, nécessite la présence des parents ou d'un adulte
- NC-17 : Interdit aux enfants au-dessous de 17 ans
- X : Seulement pour les adultes

6 Pour quitter le menu

MENU

- Remarques (pour la COTE TV et la COTE MPAA):**
- Vous ne pouvez pas accéder au menu de configuration quand le message "ÉMISSION PROTÉGÉE par ..." apparaît. Passez à un canal non barré avant d'appuyer sur [MENU].
 - Quand vous sélectionnez une cote et la réglez à [BARRÉ], les cotes supérieures seront automatiquement barrées. Les cotes inférieures pourront être visionnées.
 - Quand vous réglez la cote la plus basse à [VISION], toutes les autres cotes sont automatiquement visionnables.

C [CHANGEMENT DE CODE D'ACCÈS]

4 Entrez le code de 4 chiffres

1 2 3
4 5 6
7 8 9
0

NOUVEAU CODE
XXXX

CONFIRMER CODE

5 Pour quitter le menu

MENU

- Remarques:**
- Vérifiez que vous entrez exactement le même nouveau code dans l'espace "CONFIRMER CODE" que dans l'espace "NOUVEAU CODE". S'ils sont différents, l'espace "NOUVEAU CODE" est supprimé pour réentrée.
 - Votre code d'accès personnel sera effacé et reviendra au code par défaut (0000) en cas de panne de courant ou si vous mettez hors tension à l'aide d'un interrupteur mural. Si vous avez oublié le code, débranchez le cordon d'alimentation 10 secondes pour remettre le code d'accès à 0000.

PROBLÈMES DE FONCTIONNEMENT

Parfois, lorsque l'appareil ne fonctionne pas correctement, la cause du problème peut être facilement identifiée en vérifiant simplement un détail qui a été négligé à prime abord. Avant de contacter le centre de service autorisé le plus près de chez vous, nous vous suggérons d'effectuer les vérifications suivantes. Cela pourrait vous faire économiser temps et argent.

LISTE DE VÉRIFICATIONS À EFFECTUER AVANT DE CONTACTER UN RÉPARATEUR	PROBLÈME										
	La télécommande ne fonctionne pas.	Il y a des barres dans l'image.	L'image est déformée.	L'image défile verticalement.	Il n'y a pas de couleur.	Mauvaise réception de certains canaux.	L'image est mauvaise.	Il y a des lignes parasites dans l'image.	L'image se dédouble.	L'image est floue.	Le son est bon mais l'image est mauvaise.
MESURE CORRECTIVE											
Essayez un autre canal, s'il est bien capté, il se peut que l'autre station éprouve des ennuis.											
Le téléviseur est-il branché ? La prise est-elle montée ?	X										X
Le téléviseur est-il sous tension ?											X
L'antenne ou le câble est-il raccordé à la prise à l'arrière de l'appareil ?					X	X	X	X	X	X	X
Si une antenne extérieure est utilisée, vérifiez s'il n'y a pas de fil rompu ou de raccordement desserré.		X	X	X	X	X	X	X	X	X	X
Vérifiez s'il n'y a pas d'interférence près de chez vous.		X	X	X	X	X	X	X	X	X	X
Éteignez le téléviseur et rallumez-le après environ une minute.											X
Ajustez les couleurs.					X						
Ajustez le contraste et la luminosité.							X				
Vérifier les piles de la télécommande.	X										
Éloignez le téléviseur de l'appareil à proximité qui produit un champ magnétique.											X
Éteignez avec [POWER], puis rallumez 30 minutes plus tard environ.											
Vérifiez s'il n'y a pas d'obstacle entre le capteur et la télécommande.	X										
Testez la sortie du signal.* Si correct, il peut y avoir un problème de capteur de télécommande.	X										

*Épreuve additionnelle de la télécommande
Accordez une radio AM sur une bande sans diffusion. Pressez une touche sur la télécommande vers la radio. Un son flottera à la pression d'une touche quelconque et la radio recevra le signal. Cela signifiera que la télécommande fonctionne.

Problèmes de sous-titres	Solution possible
Des sous-titres avec erreurs d'orthographe apparaissent.	Des erreurs d'orthographe peuvent passer non corrigées par la société de sous-titrage dans le cas d'une émission en direct.
Le texte n'est pas entièrement affiché ou il y a du retard par rapport à ce qui est dit.	Les sous-titres décalés de quelques secondes sur le dialogue réel sont communs dans les émissions en direct. La plupart des sociétés de sous-titrage peuvent afficher un dialogue de 220 mots par minute. Si un dialogue dépasse cette cote, le montage sélectif est utilisé pour assurer que les sous-titres restent à jour avec le dialogue à l'écran.
Les sous-titres sont brouillés et il y a des carrés blancs à l'écran.	Des interférences causées par des bâtiments, lignes électriques, orages etc. peuvent provoquer l'apparition de sous-titres brouillés ou incomplets.
Pas de sous-titres affichés dans l'émission qui doit en contenir.	Les diffuseurs peuvent utiliser un système de compression du temps pour le programme réel afin d'obtenir plus de temps pour la publicité. Dans ce cas, les sous-titres seront perdus parce que le décodeur ne peut pas lire les informations compressées.
Pas de sous-titres affichés à la lecture d'une vidéocassette préenregistrée avec sous-titres.	La vidéocassette est peut-être une copie illégale ou l'entreprise de duplication a par accident omis d'inclure les signaux de sous-titres pendant le processus de duplication.
Une boîte noire apparaît à l'écran du téléviseur.	Vous êtes en mode TEXTE. Sélectionnez S-TITRES [S1], [S2] ou [HF].

ENTRETIEN DE L'APPAREIL

NETTOYAGE DU BOÎTIER DU TÉLÉVISEUR

- Essayez le devant du téléviseur et ses autres surfaces externes à l'aide d'un chiffon doux que vous aurez préalablement trempé dans de l'eau tiède et torré.
- N'utilisez jamais de solvant ni d'alcool pour nettoyer l'appareil. Ne vaporisez pas d'insecticide à proximité du téléviseur. Ces produits chimiques pourraient endommager l'appareil et décolorer les surfaces atteintes.

NETTOYAGE DE L'ÉCRAN

Essayez l'écran en vitre du téléviseur à l'aide d'un chiffon doux. Débranchez toujours le cordon d'alimentation de l'appareil avant de le nettoyer.

ACCESSOIRES FOURNIS

- Guide d'utilisation (1EMN21832)
- Télécommande (NE122UE)
- Deux (2) piles AA ("AA" x 2)

FICHE TECHNIQUE

RENSEIGNEMENTS GÉNÉRAUX

Système télévision: NTSC-M standard télévision

Décodeur de sous-titres: §15.119/FCC

Distribution des canaux:
bande VHF: 2 à 13
bande UHF: 14 à 69
câblodistribution: 2 à 13, A ~ W, W + 1 ~ W + 84, A-5 ~ A-1, 5A

Système de syntonisation: 181 canaux avec syntonisation de fréquences à synthétiseur

Accès aux canaux: clavier à accès direct, avec balayage ascendant/descendant programmable

Bornes
Entrée d'antenne: VHF/UHF/CATV
75 ohms non équilibrés (Type F)

Entrée S-Vidéo: Mini-jack DIN à 4 ergots

Entrée vidéo: Connecteur RCA x 1

Entrée audio: Connecteur RCA x 4 (2 (L/R) x Avant / 2 (L/R) x Arrière)

Casque d'écoute: Stéréophonique de 1/8 po. (3,5 mm)

Système de son stéréophonique
2 haut-parleurs

SPÉCIFICATIONS-ÉLECTRICITÉ

Puissance de sortie du son: 1W, 8 ohm x 2

AUTRES SPÉCIFICATIONS

Télécommande: Rayon infrarouges avec code numérique

Température de fonctionnement: 5°C à 40°C (41°F à 104°F)

Source d'alimentation: courant alternatif 120 volts, 60 hertz

Consommation (maximale): 74 watts

Tube écran: 20 pouces

Dimensions: hauteur: 17-1/8 po. (435mm)

largeur: 19-15/16 po. (506mm)

profondeur: 17-15/16 po. (455mm)

Poids: 44,1 lbs. (20kg)

• La conception et les caractéristiques spécifiques de cet appareil sont sujettes à modification sans préavis ni obligations légales.

• S'il y a une différence entre les langues, l'anglais prévaudra comme langue par défaut.

Free Manuals Download Website

<http://myh66.com>

<http://usermanuals.us>

<http://www.somanuals.com>

<http://www.4manuals.cc>

<http://www.manual-lib.com>

<http://www.404manual.com>

<http://www.luxmanual.com>

<http://aubethermostatmanual.com>

Golf course search by state

<http://golfingnear.com>

Email search by domain

<http://emailbydomain.com>

Auto manuals search

<http://auto.somanuals.com>

TV manuals search

<http://tv.somanuals.com>