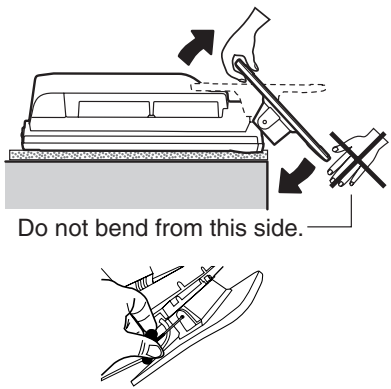




# PREPARATION FOR USE

## UNPACKING

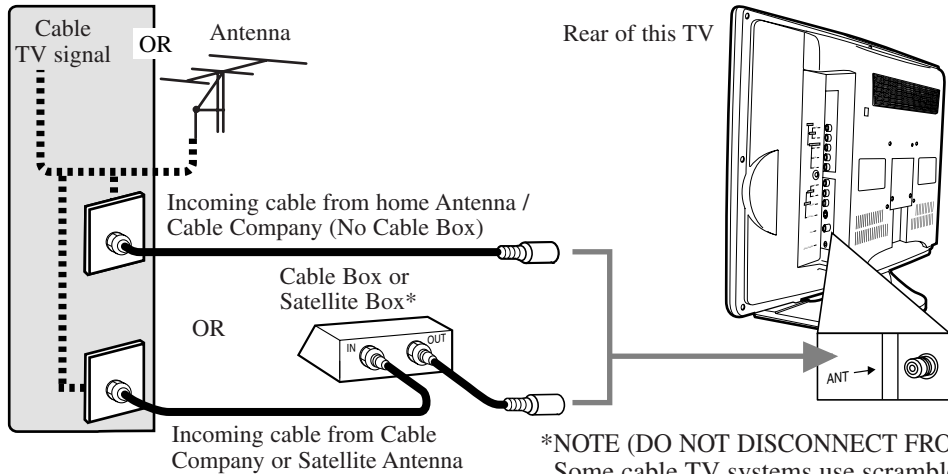


The stand of this TV is folded when purchased. Place this TV face-down on a flat surface covered with a soft cloth. Bend the stand slowly to forward until it clicks.

If you want to fold the stand again, insert a thin rod into the hole in the right side of the stand as illustrated, bend the stand backward while you keep pushing the hole.

## CONNECTIONS

Plug the incoming cable into the ANT jack on the rear of the TV.



Cables not included

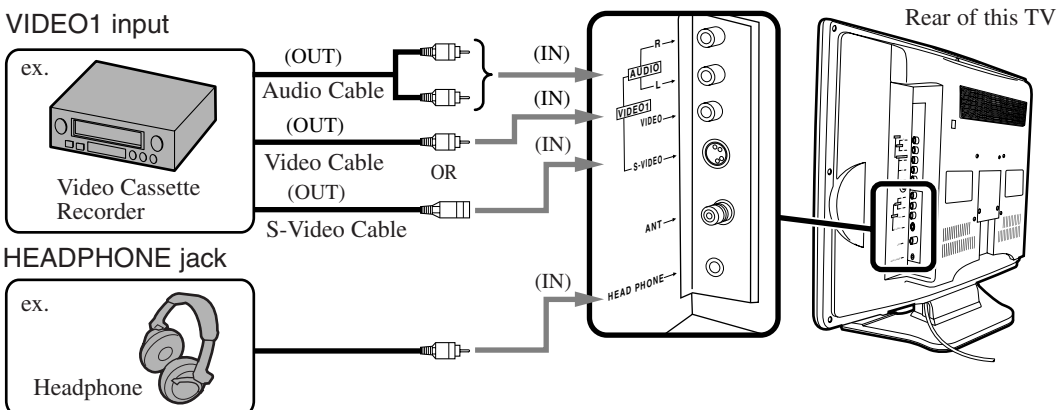
\*NOTE (DO NOT DISCONNECT FROM BOX)  
Some cable TV systems use scrambled signals and require a special converter to receive these channels. Consult your local cable company.

**CAUTION: TO PREVENT ELECTRIC SHOCK, MATCH WIDE BLADE OF PLUG TO WIDE SLOT, FULLY INSERT.**

### Note:

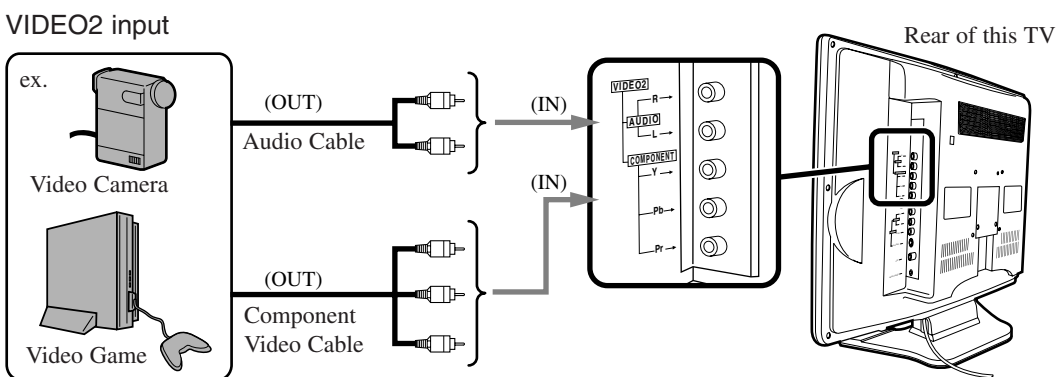
- For your safety and to avoid damages to the unit, unplug the antenna cable from the ANT jack before moving the unit.

## [EXTERNAL CONNECTION]



### Notes:

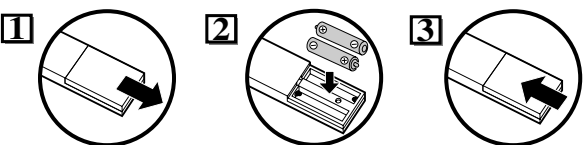
- The AUDIO L jack is for mono input. The sound is heard from both speakers. Use this jack for connecting monaural audio equipment.
- The S-VIDEO jack is given priority over the VIDEO jack.



### Notes:

- This TV can accept 480p / 480i / simplified 1080i video signal.
- Simplified 1080 video signal differs to the original 1080i video signal because it is displayed after converted into 480p signal.

## INSTALLING THE BATTERIES



Install two AAA batteries (supplied) matching the polarity indicated inside battery compartment of the remote control.

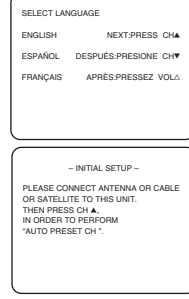
## [BATTERY PRECAUTIONS]

- Be sure to follow the correct polarity as indicated in the battery compartment. Reversed batteries may cause damage to the device.
- Do not mix different types of batteries together (e.g. Alkaline and Carbon-Zinc) or old batteries with fresh ones.
- If the device is not to be used for a long period of time, remove the batteries to prevent damage or injury from possible battery leakage.
- Do not try to recharge batteries not intended to be recharged; they can overheat and rupture.

## INITIAL SETUP

When you turn on the power for the first time, the "SELECT LANGUAGE" menu is displayed. The "INITIAL SETUP" menu is displayed every time you turn on the unit unless the scanning is completed.

**1** Select the desired language according to the screen indication. After that, the TV performs "AUTO PRESET CH" to scan channels available for the broadcasting in your area.



**2** If the TV screen shows snow noise and there is no operation for more than 5 seconds, "HELPFUL HINTS" appears. Follow the instructions listed on-screen.

**- HELPFUL HINTS -**  
1. PLEASE CHECK TO SEE IF THE ANTENNA/CABLE/SATELLITE IS PROPERLY CONNECTED.  
2. DID YOU PERFORM "AUTO PRESET CH"?  
3. PLEASE REFER TO FRONT PAGE OF THE OWNER'S MANUAL OR REAR PANEL FOR SUPPORT LINE INFORMATION.

When the scanning is completed, or [MENU] is pressed during channel scanning to cancel it, the tuner stops on the lowest memorized channel.

### Notes:

- In case no channel can be received by the channel scanning, "NO TV SIGNALS" is displayed on the screen. Turn off the unit and check the antenna connection, then follow step 1 again.
- If those settings do not work properly, please call our help line on the front page of this owner's manual.

## SELECTING AUDIO/VIDEO INPUT

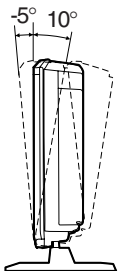
When you use the AUDIO/VIDEO input jacks, select "VIDEO1" or "VIDEO2" mode by pressing [INPUT SELECT] on the remote control or [SELECT] on the main unit. The input mode changes by pressing the button as following:



## TILT STAND

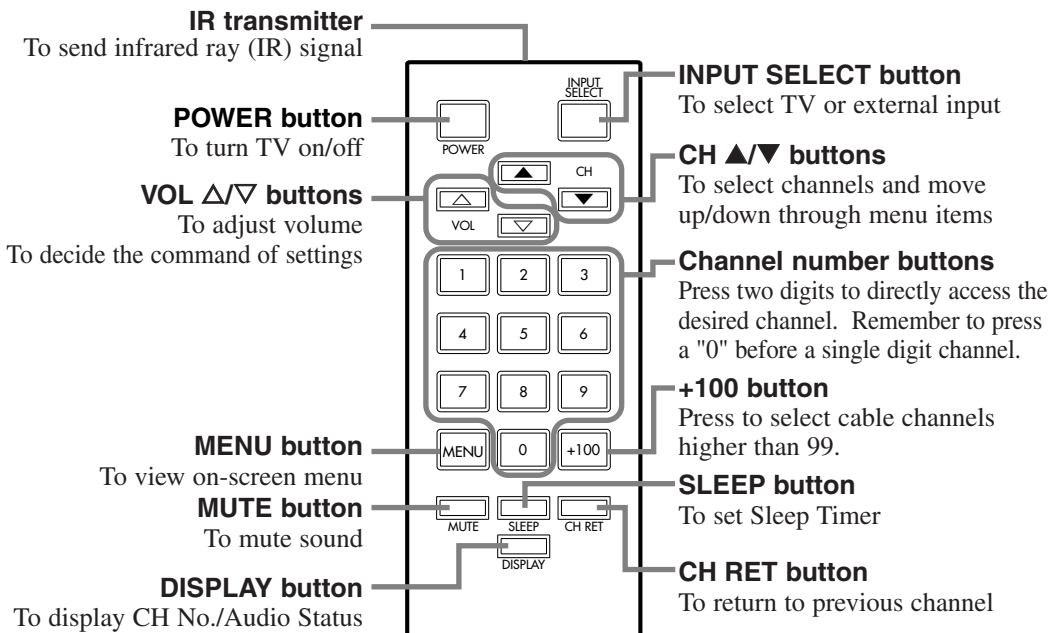
### Tilt Stand

Adjust the stand to change the angle of TV (-5° ~ 10°).



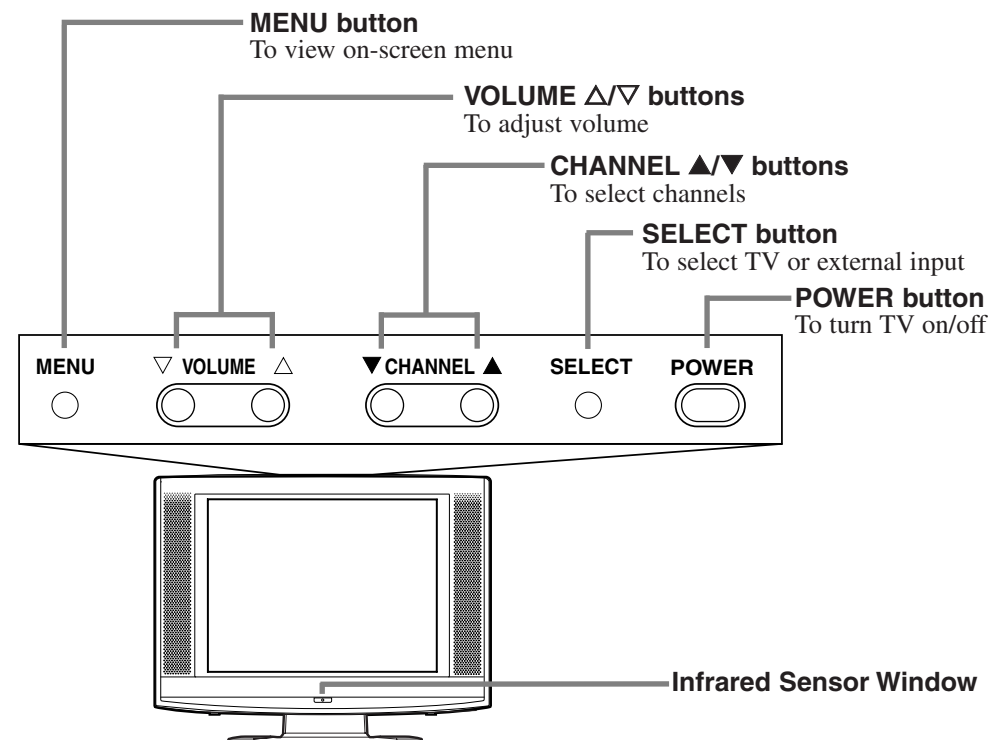
# OPERATIONS

## REMOTE CONTROL AND TOP PANEL FUNCTION



### Note:

- You can test if the remote control sends out the infrared signal with an AM radio. (Refer to "TROUBLESHOOTING GUIDE".)



### Note:

- If some digits appear in the corner of the screen when the unit is turned on at the first time, press [POWER] without unplugging the power cord.

# OPERATIONS (Continued)

## CHANNEL SETTING

### [AUTO PRESET CHANNELS]

Channel presetting is necessary at the start or in case you moved the TV to a different area. This feature automatically scans and memorizes all available channels in your area and lets you easily select with [CH ▲/▼].

- Select "CHANNEL SET UP"
- Select "AUTO PRESET CH"
 

The tuner starts scanning automatically.
- After scanning (completed)
 

The lowest memorized channel appears.

OR

(in failure) Check antenna connection and try again.

**Note:**

- The TV may recognize TV channels as CATV channels if reception condition is poor. If this happens, check the antenna connections and try scanning again when reception conditions are better.

### [ADDING/DELETING CHANNELS]

You can add channels that was not memorized by AUTO PRESET CH due to the bad reception status and also delete channels you no longer receive or seldom watch.

- Select "CHANNEL SET UP"
- Select "ADD/DELETE CH"
- Select the channel you wish
- Add or delete the channel
 

Add: light blue  
Delete: light red
- To exit the menu

### BRIGHTNESS

Adjust until the darkest parts of the picture are as bright as you prefer.

- [-] : decrease brightness
- [+] : increase brightness

### CONTRAST

Adjust to increase or decrease contrast.

- [-] : decrease contrast
- [+] : increase contrast

### COLOR

Adjust to be brilliant or pale color.

- [-] : be pale color
- [+] : be brilliant color

### TINT

Adjust to obtain natural skin tones.

- [-] : add red
- [+] : add green

### SHARPNESS

Adjust the detail of the picture.

- [-] : less clear
- [+] : more clearer

## BACK LIGHT SETTING

- Select "BACK LIGHT"

- Select the desired brightness mode
- To exit the menu

## CLOSED CAPTION

You may view specially labeled (cc) TV programs, movies, news and prerecorded tapes, etc. with either a dialogue caption or text display added to the program.

- Select "CAPTION"

- Select the desired caption mode
- To exit the menu

### [CAPTION MODE (CAPTION1, CAPTION2)]

- CAPTION1** displays standard closed captions (what a character is saying).
- CAPTION2** displays foreign language closed captions (foreign language words showing what a character is saying).
- There are three ways of displaying according to programs:
  - Paint-on mode:** Displays input characters on the screen immediately.
  - Pop-on mode:** Once characters are stored in memory, they are displayed all at once.
  - Roll-up mode:** Displays the characters continuously by scrolling (max. 4 lines).

### [TEXT MODE (TEXT1, TEXT2)]

- TEXT1** and **TEXT2** display half-screen text by scrolling (such as a channel guide, schedule or announcement).

### Notes:

- If closed captioning is not broadcasted, you cannot receive it and nothing is displayed.
- When your TV receives a special effects playback signal (i.e., Search, Slow and Still) from a VCR's video output channel (CH3 or CH4), the TV may not display the correct caption or text.
- Captions and texts may not match the TV voice exactly.
- Interference may cause the closed caption system not to function properly.
- The caption or text characters will not be displayed while the menu display or functions display is shown.
- If a black box appears on the screen, this means that the TV is set to TEXT mode. To clear screen, select [CAPTION1], [CAPTION2] or [OFF].

## SLEEP TIMER SETTING

- Select "SLEEP"
 

The time increases by 10 minutes up to 90.

**Notes:**

- When you disconnect the unit from the AC outlet or when you have a power failure, the sleep time will be lost.
- To cancel the sleep timer, press [SLEEP] repeatedly until "SLEEP 0 MINUTE" is displayed.
- The sleep timer setting display will disappear automatically after 10 seconds of the operation.
- You can also set the sleep timer by pressing [SLEEP] repeatedly.

## MULTI-CHANNEL TELEVISION SOUND (MTS) SYSTEM

- Select "TV SOUND"
- Select the desired sound mode
- To exit the menu

Menu Selection Type of broadcast	MAIN	MONO	SAP*
Regular	-None-	-None-	-None-
Stereo broadcast	STEREO	MONO	STEREO
SAP	MAIN	MAIN	SAP

### \*Second Audio Program (SAP) :

Your program can also be received in a second language or sometimes a radio station.

### Note:

- If you select [SAP] when second audio is not available, the TV will receive normal audio.

## OPTIONAL SETTINGS

### LANGUAGE SELECTION

- Select "LANGUAGE"

- Select the desired language
- To exit the menu

## PICTURE ADJUSTMENT

- Select "PICTURE"

- Select an item to adjust
- Adjust the setting

# OPTIONAL SETTINGS (Continued)

## V-CHIP SET UP

This enables parents to prevent their children from watching inappropriate material on TV.

- The limitation is not available for news, sports programs, unedited movies on premium cable channels and Emergency Broadcast System signals.
- When you try to access to a program which is blocked, "PROTECTED PROGRAM by ..." message appears on the TV screen.
- Programming may be rated by the Motion Picture Association of America (MPAA) or according to the Television Parental Guidelines. In order to block any inappropriate programming, set your limits in both MPAA RATING and TV RATING.

**1** Select "V-CHIP SET UP"

**2** Enter 4-digit code

If you have not set up your personal access code, enter 0000 (default access code).

**3** Select a feature to set up

## A [TV RATING SET UP]

**4** Select a rating

**<Selection> <Rating Category Explanations>**

- TV-Y : Appropriate for all children
- TV-Y7 : Appropriate for children seven and older
- TV-G : General Audience
- TV-PG : Parental Guidance suggested
- TV-14 : Unsuitable for children under 14
- TV-MA : Mature audience only

**5-1** \* Rating with no sub categories  
Set to [BLOCK] or [VIEW]

**5-2** \* Rating with sub categories

Select a rating

Set to [BLOCK] or [VIEW]

**<Selection> <Rating Category Explanations>**

- TV-Y7  
FV : Fantasy Violence
- TV-PG / TV-14 / TV-MA :  
D : Suggestive Dialog (TV-PG, TV-14 only)  
L : Coarse Language  
S : Sexual Situation  
V : Violence

**6** To exit the menu

## B [MPAA RATING SET UP]

**4** Select a rating

**5** Set to [BLOCK] or [VIEW]

**<Selection> <Rating Category Explanations>**

- G : General Audience
- PG : Parental Guidance suggested
- PG-13 : Unsuitable for children under 13
- R : Restricted; under 17 requires accompanying parent or adult guardian
- NC-17 : No one under 17 admitted
- X : Mature audience only

**6** To exit the menu



## Notes (for TV RATING and MPAA RATING):

- You cannot access the setup menu when the "PROTECTED PROGRAM by ..." message appears. Move to an unblocked channel before you press [MENU].
- When you select a rating and set it to [BLOCK], the higher ratings will be blocked automatically. The lower ratings will be available for viewing.
- When you set "X" or "TV-MA" to [VIEW], all ratings turn to [VIEW] automatically.

## C [CHANGING THE ACCESS CODE]

**4** Enter 4-digit code

**5** To exit the menu

## Notes:

- Make sure you enter exactly the same new code in the "CONFIRM CODE" space as one in the "NEW CODE" space. If they are different, the "NEW CODE" space is cleared for redoing.
- Your personal access code will be erased and will return to the default (0000) when a power failure occurs or when you turn off the power using a wall switch. If you have forgotten the code, unplug the power cord for 10 seconds to restore the access code to 0000.

# TROUBLESHOOTING GUIDE

Sometimes a performance problem can be easily solved by checking seemingly apparent but often overlooked possibilities. Before arranging for service, check these items. It could save your time and money.

## QUICK SERVICE CHECK LIST

Problem	Possible Remedy
Remote Control Doesn't Work	2, 10, 15, 16
Bars on Screen	5, 6
Picture Distorted	1, 5, 12
Picture Rolls Vertically	1, 5, 6
No Color	1, 4, 5, 8
Poor Reception on Some Channels	1, 4, 5, 6
Weak Picture	1, 4, 5, 9, 12, 13
Lines or Streaks in Picture	1, 5, 6
Ghosts in Picture	1, 4, 5, 6
Picture Blurred	1, 5
Sound OK, Picture Poor	1, 4, 5, 6, 9, 12, 13
Picture OK, Sound Poor	1, 6
No Picture or Sound	1, 2, 3, 4, 5, 7
Different Color Marks on Screen	1, 11
Black or Luminous Point on Screen	14

**Possible Remedy**

- ...Try a new channel, if OK, then possible station trouble.
- ...Is TV plugged in?  
Power at outlet?
- ...Is TV's power on?
- ...Is antenna or cable connected to terminal on the back of the set?
- ...If outside antenna is being used, check for broken wire or loose connection.
- ...Check for local interference.
- ...Turn off the TV and then turn it on after about a minute.
- ...Adjust COLOR control.
- ...Adjust CONTRAST & BRIGHT control.
- ...Check batteries in remote control.
- ...Move the TV away from the nearby appliances which generate a magnetic field. Turn off using [POWER], then turn it on again 30 minutes later or so.
- ...Temperature around is too low.
- ...Life of the Back Light is approximately 50,000 hours. Ask the Service Center to replace.
- ...It is quality of the LCD Panel.
- ...Check if there is an obstacle between the sensor and the remote control.
- ...Test the signal output.\* If OK, then possible remote sensor trouble.

## \*Additional Remote Test

Tune an AM radio to a station with no broadcasting. Press a button on the remote control toward the radio. Sound will be fluttering when you press any key and the radio receives the signal. This means the remote control unit is working.

Closed Caption Problem	Possible Remedy
Misspelled captions are shown.	Spelling errors may pass through uncorrected by the closed captioning production company in a live broadcast.
Text is not shown in its entirety or there is a delay of what is being said.	Captions that are delayed a few seconds behind the actual dialogue are common for live broadcasts. Most captioning production companies can display a dialogue to a maximum of 220 words per minute. If a dialogue exceeds that rate, selective editing is used to insure that the captions remain up-to-date with the current TV screen dialogue.
Captions are scrambled with white boxes on the TV screen.	Interference caused by building, power lines, thunderstorms, etc. may cause scrambled or incomplete captions to appear.
No captions are displayed in a program which must contain closed caption.	Broadcasters may use a time compression process to the actual program so that additional advertising time can be given. In this case, captions will be lost since the decoder cannot read the compressed information.
No captions are displayed when playing a prerecorded videotape with closed caption.	The videotape may be either an illegal copy or the tape duplicating company may accidentally have left out the captioning signals during the copying process.
The TV screen shows a black box.	You are in TEXT mode. Select [CAPTION1], [CAPTION2] or [OFF].

The LCD panel is manufactured to provide many years of useful life. Occasionally a few non active pixels may appear as a fixed point of blue, green or red. This is not to be considered a defect in the LCD screen.

# MAINTENANCE

## CABINET CLEANING

- Wipe the front panel and other exterior surfaces of the TV with a soft cloth immersed in lukewarm water and wrung dry.
- Never use a solvent or alcohol. Do not spray insecticide liquid near the TV. Such chemicals may cause damage and discoloration to the exposed surfaces.

## PICTURE SCREEN CLEANING

If the liquid crystal display panel should require cleaning, wipe it with a cotton or soft cloth. Before cleaning the picture screen, disconnect the power cord.

# SUPPLIED ACCESSORIES

- Owner's Manual (1EMN21971)
- Remote control unit (NE903UD)
- Batteries ("AAA" x 2)

# SPECIFICATIONS

## GENERAL SPECIFICATIONS

Television system:	NTSC-M TV Standard
Closed Caption System:	\$15.119/FCC
Channel coverage	
VHF:	2 ~ 13
UHF:	14 ~ 69
CATV:	2 ~ 13, A ~ W, W+1 ~ W+84, A-5 ~ A-1, 5A
Tuning System:	181 channels frequency synthesized tuning system
Channel access:	Direct access keyboard, programmable scan and up/down
Terminals	
Antenna input:	VHF/UHF/CATV 75 ohm unbalanced (F-type)
S-Video input:	Mini DIN 4-pin jack
Video input:	RCA connector x 1
Audio input:	RCA connector x 4
Component video input:	
One pin jack (Y):	1Vpp(75 ohm)
Two pin jacks (P <sub>1</sub> )(P <sub>2</sub> ):	700mVpp(75 ohm)
Headphone:	1/8" stereo (3.5mm)
Stereo Sound System	
2 speakers	
2 ways AV input	

## ELECTRICAL SPECIFICATION

Sound output: 1W, 8 ohm x 2

## OTHER SPECIFICATIONS

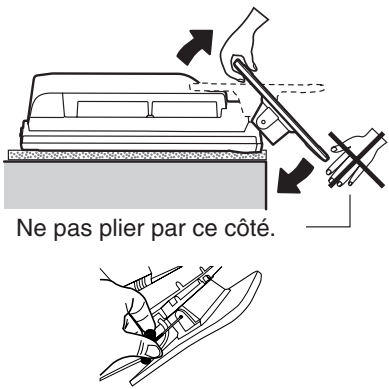
Remote control:	Digital encoded infrared light system
Operating temperature:	5°C to 40°C (41°F~104°F)
Power requirements:	AC120V, 60Hz
Power consumption (Maximum):	53W
LCD:	20"
Dimensions (H x W x D):	
With Tilt Stand	18-3/8" x 23-3/8" x 9-1/8"
(466mm x 594mm x 231mm)	
Weight:	
With Tilt Stand:	11.0 lbs. (5.0kg)

- Designs and specifications are subject to change without notice and without our legal obligation.
- If there is a discrepancy between languages, the default language will be English.



# PRÉPARATIFS

## DÉSEMBALLAGE

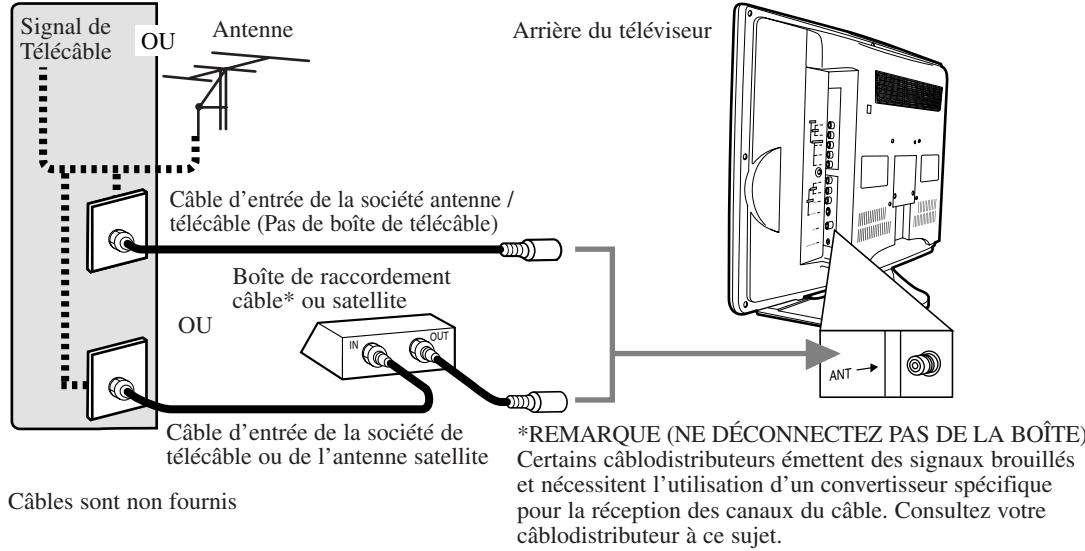


Le support de ce téléviseur est plié au moment de l'achat. Placez ce téléviseur la face vers le bas sur une surface plane recouverte d'un linge doux. Pliez lentement le support vers l'avant jusqu'à ce qu'il émette un léger bruit sec.

Si vous désirez plier à nouveau le support, insérez une tige mince dans l'orifice du côté droit du support, tel qu'illustré, et pliez le support vers l'arrière tout en continuant d'appuyer dans l'orifice.

## RACCORDEMENTS

Branchez le câble d'entrée dans la prise ANT à l'arrière de l'appareil.

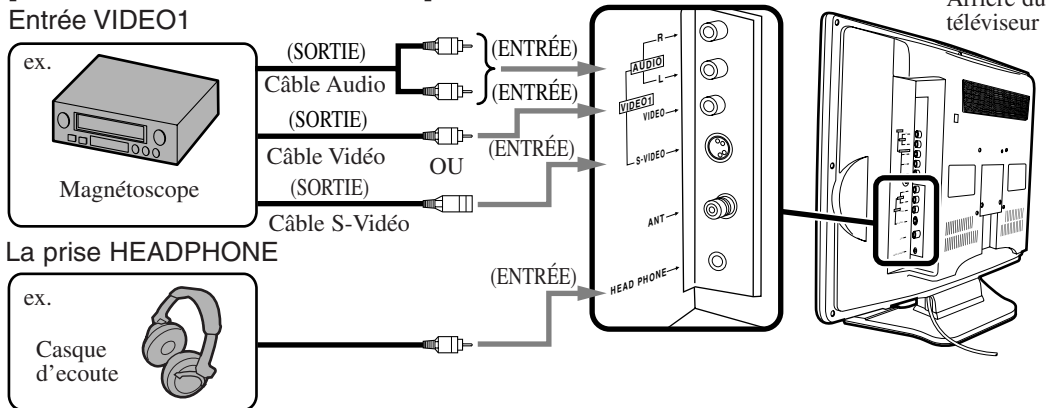


Câbles sont non fournis

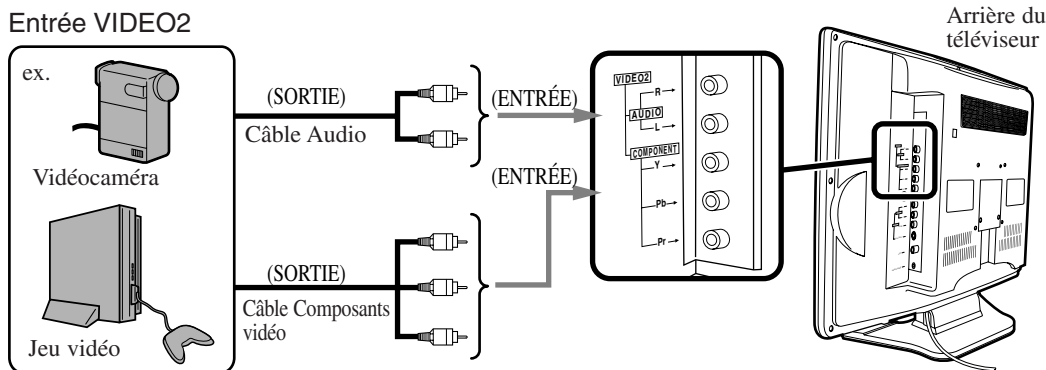
**ATTENTION : POUR ÉVITER LES CHOCS ÉLECTRIQUES, INTRODUIRE LA LAME LA PLUS LARGE DE LA FICHE DANS LA BORNE CORRESPONDANTE DE LA PRISE ET POUSSER JUSQU'AU FOND.**

**Remarque :**  
• Pour votre sécurité et pour éviter d'endommager l'appareil, débranchez le câble d'antenne de la prise ANT avant de déplacer l'appareil.

### [RACCORDEMENT EXTÉRIEURE]

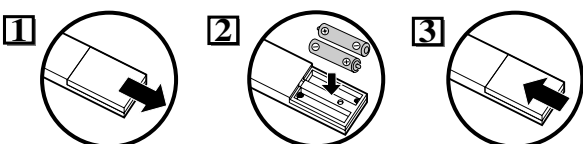


**Remarques :**  
• La prise d'entrée AUDIO L est pour une entrée monophonique. Le son est entendu à partir des deux haut-parleurs. Utilisez cette prise pour un équipement monophonique devant être connecté.  
• La prise S-VIDEO a priorité sur la prise VIDEO du panneau arrière.



**Remarques :**  
• Ce téléviseur prend en charge les signaux vidéo 480p / 480i / 1080i simplifié.  
• Le signal vidéo 1080 simplifié diffère du signal vidéo 1080i original en ceci qu'il s'affiche après sa conversion en signal 480p.

## INSTALLATION DES PILES



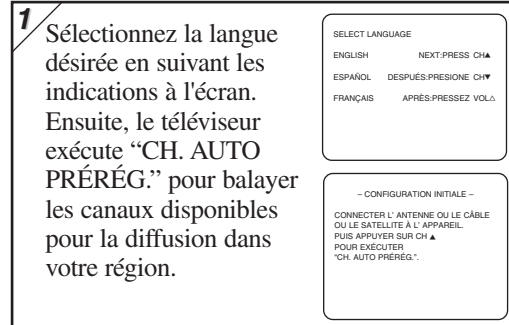
Installez deux piles AAA (fournies), en respectant les polarités indiquées dans le logement piles de la télécommande.

### [PRÉCAUTIONS CONCERNANT LES PILES]

- Observez les polarités indiquées dans le logement piles. Des piles inversées peuvent endommager le dispositif.
- Ne mélangez pas différents types de piles (par ex. Alcalines et Carbone-Zinc) ou des piles ancienne et neuve.
- Si le dispositif doit rester inutilisé pendant longtemps, retirez les piles pour éviter tout dommage ou blessure possible suite à la fuite des piles.
- N'essayez pas de recharger des piles non prévues pour la recharge; la surchauffe et la rupture sont possibles.

## CONFIGURATION INITIALE

La première fois que vous mettez l'appareil sous tension, le menu "SELECT LANGUAGE" s'affiche. Le menu "CONFIGURATION INITIALE" s'affiche chaque fois que vous mettez l'appareil sous tension sauf si le balayage est terminé.



**2** S'il y a de la neige sur l'écran du téléviseur et si vous n'effectuez aucune commande pendant plus de 10 secondes, "CONSEILS UTILES" apparaît. Suivez les instructions à l'écran.

**CONSEILS UTILES -**  
1. VÉRIFIER QUE L'ANTENNE/CÂBLE SATELLITE EST CORRECTEMENT RACCORDE.  
2. VÉRIFIER QUE "CH. AUTO PRÉRÉG." EST RÉGLÉ CORRECTEMENT.  
3. CONSULTER LA COUVERTURE DU GUIDE D'UTILISATION OU LE PANNEAU ARRIÈRE POUR LE NUMÉRO D'AIDE CLIENTÈLE EN LIGNE.

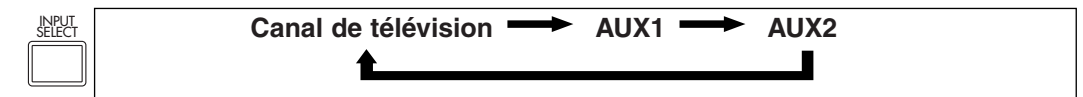
Une fois le balayage terminé, ou si vous appuyez sur le bouton [MENU] pendant le balayage pour l'annuler, le syntonisateur s'arrête sur le canal mémorisé le plus bas.

### Remarques :

- Si aucun canal ne peut être capté par le balayage des canaux, "PAS DE SIGNAL TV" s'affiche sur l'écran. Mettez l'appareil hors tension et vérifiez la connexion d'antenne, puis effectuez à nouveau l'étape 1.
- Si ces réglages ne fonctionnent pas correctement, veuillez appeler le numéro apparaissant sur la couverture du manuel.

## SÉLECTION DE L'ENTRÉE AUDIO/VIDÉO

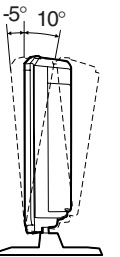
À l'emploi des prises d'entrée AUDIO/VIDEO, sélectionnez le mode "AUX1" ou "AUX2" en appuyant sur [INPUT SELECT] sur la télécommande, ou [SELECT] sur l'appareil. Le mode d'entrée change en appuyant sur les touches comme suit :



## INCLINAISON DU SOCLE

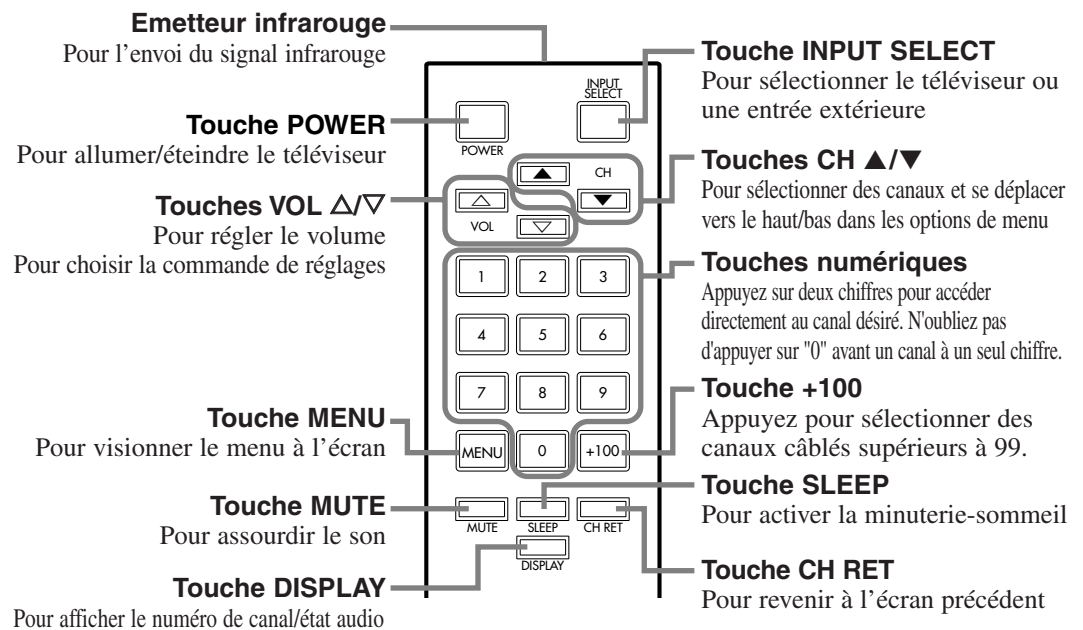
### Inclinaison du socle

Le socle peut être ajusté et changer l'angle de la TV (-5° à 10°).

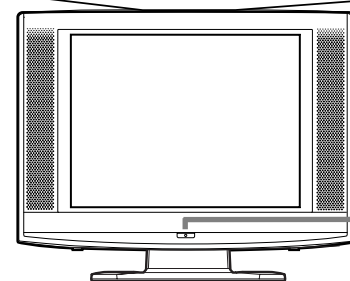
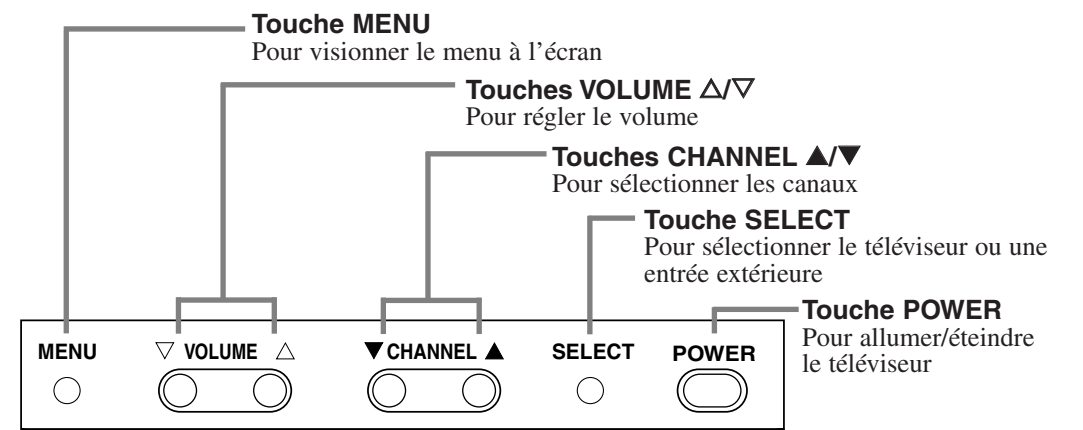


# OPÉRATIONS

## FONCTION DE LA TÉLÉCOMMANDE ET DU PANNEAU SUPÉRIEUR



**Remarque :**  
• Vous pouvez tester si la télécommande envoie le signal infrarouge avec une radio AM. (Voir "PROBLÈMES DE FONCTIONNEMENT".)



**Remarque :**  
• Si plusieurs chiffres apparaissent dans le coin de l'écran à la première mise sous tension de l'appareil, appuyez sur [POWER] sans débrancher le cordon d'alimentation.

# FONCTIONNEMENT (Suite)

## RÉGLAGE DES CANAUX

### [PRÉRÉGLAGE AUTOMATIQUE DES CANAUX]

Le préréglage des canaux est nécessaire au début ou si vous déplacez le téléviseur dans une autre région. Cette fonction balaye et mémorise automatiquement tous les canaux disponibles dans votre région et vous permet de les sélectionner facilement avec [CH ▲/▼].

**1** Sélectionnez "RÉGLAGE DES CANAUX"

**2** Sélectionnez "CH. AUTO PRÉRÉG."

Le syntoniseur commence automatiquement le balayage.

**3** Après le balayage (en cas de réussite) Le canal de plus petit numéro mémorisé s'affiche. (en cas d'échec) Vérifiez la connexion de l'antenne et essayez à nouveau.

**Remarque:**

- Le téléviseur peut reconnaître des canaux de télévision en tant que canaux CATV si les conditions de réception sont mauvaises. Dans ce cas, contrôlez les raccordements de l'antenne et essayez à nouveau le balayage quand les conditions de réception sont meilleures.

### [AJOUT/SUPPRESSION DE CANAUX]

Vous pouvez ajouter des canaux qui n'ont pas été mémorisés par CH. AUTO PRÉRÉG. en raison de mauvaises conditions de réception, ainsi qu'effacer les canaux que vous ne captez plus ou ne regardez que rarement.

**1** Sélectionnez "RÉGLAGE DES CANAUX"

**2** Sélectionnez "AJOUT/SUPP. CH."

**3** Sélectionnez le canal souhaité

**4** Ajoutez ou supprimez le canal

Ajout: bleu clair  
Suppression: rouge clair

**5** Pour quitter le menu

## AJUSTEMENT DES ASPECTS DE L'IMAGE

**1** Sélectionnez "IMAGE"

**2** Sélectionnez l'article à régler

[LUMINOSITÉ] ↔ [CONTRASTE]

[NETTETÉ] ↔ [TEINTE] ↔ [COULEUR]

**3** Ajustez le réglage

LUMINOSITÉ

### LUMINOSITÉ

Ajustez la luminosité jusqu'à ce que les parties les plus claires de l'image soient aussi brillantes que vous le désirez.

- [-] : diminue la luminosité
- [+] : augmente la luminosité

### CONTRASTE

Augmentez ou diminuez les contrastes.

- [-] : diminue le contraste
- [+] : augmente le contraste

### COULEUR

Réglez aux couleurs vives ou pâles.

- [-] : couleurs plus pâles
- [+] : couleurs plus vives

### TEINTE

Ajustez la teinte pour obtenir la couleur de la peau naturelle.

- [-] : ajout de rouge
- [+] : ajout de vert

### NETTETÉ

Réglez pour détailler l'image.

- [-] : adoucit
- [+] : rend plus net

### Remarque :

- L'affichage disparaîtra automatiquement au bout de 10 secondes à moins que vous appuyiez sur une touche.

## RÉGLAGE DE RÉTRO-ECLA

**1** Sélectionnez "RÉTROÉCLAIRAGE"

**2** Sélectionnez le mode de luminosité désiré

[LUMINEUX] ↔ [NORMAL] ↔ [FONCE]

**3** Pour quitter le menu

## AFFICHAGE DE SOUS-TITRES

Vous pouvez visionner des émissions télévisées, films, informations, vidéocassettes pré-enregistrés, etc. qui sont spécialement étiquetés de "cc" et ajoutés des sous-titres du dialogue ou de texte.

**1** Sélectionnez "S-TITRES"

**2** Sélectionnez le mode de sous-titres souhaité

[HF] ↔ [S-TIT1] ↔ [S-TIT2]

[TEXT2] ↔ [TEXT1]

**3** Pour quitter le menu

### [MODE DE SOUS-TITRES (S-TIT1, S-TIT2)]

- S-TIT1 affiche des sous-titres standard (ce qui dit un personnage).
- S-TIT2 affiche des sous-titres en langue étrangère (mots de langue étrangère indiquant ce que dit le personnage).
- Il y a trois modes d'affichage selon les programmes:
  - Mode d'affichage instantané :** Les caractères entrés sont immédiatement affichés.
  - Mode d'affichage séquentiel :** Une fois mémorisés, les caractères sont tous affichés à la fois.
  - Mode d'affichage continu :** Les caractères sont affichés en continu par défilement (4 lignes max).

### [MODE TEXTE (TEXT1, TEXT2)]

- TEXT1 et TEXT2 affichent un demi-écran de texte par défilement (comme guide de canaux, programme ou annonce).

### Remarques :

- Si aucun sous-titrage n'est diffusé, vous ne pouvez pas le recevoir et rien n'est affiché.
- Lorsque votre téléviseur reçoit une commande de lecture spécifique (telle la recherche visuelle, le ralenti, l'arrêt sur image) provenant d'un magnétoscope auquel il est raccordé par le canal commun de transmission 3 ou 4 (CH 3 / CH 4), il se peut que l'affichage des sous-titres (ou du texte) soit altéré ou n'apparaisse plus à l'écran.
- Il est normal que les sous-titres et les textes ne soient pas précisément synchronisés avec la transmission sonore et visuelle de l'émission.
- De l'interférence magnétique causée par un appareil à proximité peut entraîner un mauvais fonctionnement de l'affichage des sous-titres.
- Ce téléviseur ne peut afficher les sous-titres et les textes lorsque la fonction d'affichage à l'écran du menu des fonctions et commandes est utilisée.
- Si une boîte noire apparaît à l'écran, cela signifie que le téléviseur est réglé au mode TEXTE. Pour effacer l'écran, sélectionnez [S-TIT1], [S-TIT2] ou [HF].

## RÉGLAGE DE LA MINUTERIE-SOMMEIL

**1** Sélectionnez "SOMMEIL"

**2** Sélectionnez le mode son souhaité

[MAIN] ↔ [MONO] ↔ [SAP]

**3** Pour quitter le menu

### Remarques :

- Quand vous déconnectez l'appareil de la prise CA ou en cas de panne de courant, la durée de la minuterie-sommeil sera perdue.
- Pour annuler la minuterie-sommeil, appuyez plusieurs fois sur [SLEEP] jusqu'à l'affichage de "SOMMEIL 0 MINUTE".
- L'affichage du réglage de la minuterie-sommeil disparaîtra automatiquement après 10 secondes de fonctionnement.
- Vous pouvez aussi régler la minuterie-sommeil en appuyant plusieurs fois sur [SLEEP].

## SON DE TÉLÉVISION MULTIVOIE (MTS)

**1** Sélectionnez "SON TV"

**2** Sélectionnez le mode son souhaité

[MAIN] ↔ [MONO] ↔ [SAP]

**3** Pour quitter le menu

Sélection de menu	MAIN	MONO	SAP*
Type de diffusion			
Normale	-Auc-	-Auc-	-Auc-
Diffusion stéréo	STÉRÉO	MONO	STÉRÉO
SAP	MAIN	MAIN	SAP

### \*Second Programme Audio (SAP) :

Votre programme peut aussi être reçu dans une seconde langue ou parfois d'une station de radiodiffusion.

### Remarque :

- Si vous sélectionnez [SAP] quand une seconde langue n'est pas disponible, le téléviseur recevra le son normal.

## RÉGLAGES OPTIONNELS

### SÉLECTION DE LA LANGUE D'AFFICHAGE

**1** Sélectionnez "LANGAGE"

**2** Sélectionnez la langue souhaitée

[ENGLISH] ↔ [ESPANOL]

[FRANCAIS]

**3** Pour quitter le menu





## Free Manuals Download Website

<http://myh66.com>

<http://usermanuals.us>

<http://www.somanuals.com>

<http://www.4manuals.cc>

<http://www.manual-lib.com>

<http://www.404manual.com>

<http://www.luxmanual.com>

<http://aubethermostatmanual.com>

Golf course search by state

<http://golfingnear.com>

Email search by domain

<http://emailbydomain.com>

Auto manuals search

<http://auto.somanuals.com>

TV manuals search

<http://tv.somanuals.com>