

FMWCC43

Slipcase

Installation Guide

Stylistic 3400

These instructions provide details on using the FMWCC43 slipcase. This case is designed for use with the Stylistic 3400 pen tablet. The slipcase provides added protection when transporting, using, or storing the pen tablet.

Note: Prior to installing your pen tablet in the slipcase, be sure to install a screen protector on the screen. It is difficult to install a screen protector once the system is in the slipcase.

Installing the pen tablet

To install your pen tablet into the slipcase, open the side flap of the slipcase. The flap is secured by a long strip of Velcro® that is attached to the back of the slipcase (see Figure 1).

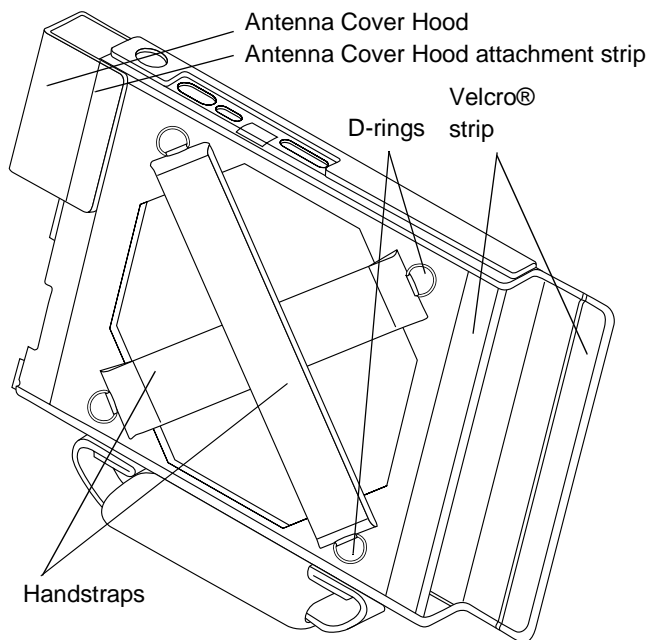


Figure 1. Stylistic 3400 Slipcase - Rear

Slide the system into the slipcase, with the screen facing the open window. Reattach the flap to the side of the slipcase.

Note: The removable Antenna Cover Hood illustrated in Figure 1 is discussed later in this procedure. It is designed to accommodate a Stylistic 3400 containing a radio with a protruding antenna with the optional Antenna Cover Kit installed.

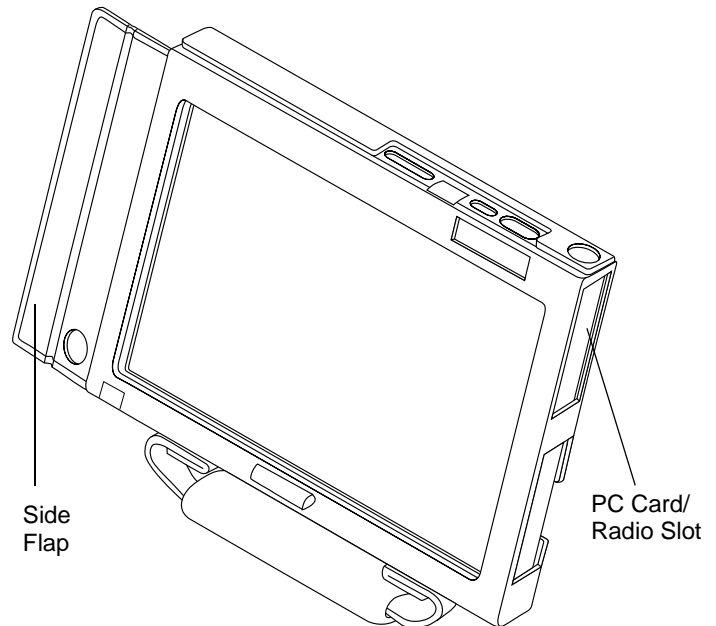


Figure 2. Stylistic 3400 Slipcase - Front

The ends of the elasticized handstraps have a D-ring to which you can attach the shoulder strap. To secure the shoulder strap, attach the strap clips to two of the D-rings. The slipcase can be carried vertically or horizontally, depending on how you orient the clips.

Attaching the Antenna cover hood

For Stylistic 3400 pen tablets that are equipped with radios, an optional Antenna Cover (FMW42RC1) may be attached to the system to protect the protruding antenna. To protect the Antenna Cover, each slipcase includes a removable nylon Antenna Cover Hood.

Note:

- For installation instructions for the Antenna Cover, reference the instructions that accompany it. The following instructions are solely for installing the Antenna Cover Hood.

- Install the Antenna Cover prior to installing the Antenna Cover Hood.

1. Position the hood over the Antenna Cover to ensure a good fit.
2. Remove the hood from the cover and detach the paper covering the adhesive Velcro® strip on the inside of the hood.

3. Install the hood over the Antenna Cover. Press the Velcro® firmly to secure it to the cover.
4. Once the hood is attached to the Antenna Cover, secure the long Velcro® strip to the matching strip on the rear of the case (see Figure 1).

Caring for the slipcase

The slipcase is made of rugged materials, and is designed to withstand daily use. Treat the case as you would a briefcase or purse.

Occasionally, the slipcase may become soiled. To clean it, use a clean cloth and warm soapy water to wash the soiled area. Do not submerge the case in water, as it may become warped.

Free Manuals Download Website

<http://myh66.com>

<http://usermanuals.us>

<http://www.somanuals.com>

<http://www.4manuals.cc>

<http://www.manual-lib.com>

<http://www.404manual.com>

<http://www.luxmanual.com>

<http://aubethermostatmanual.com>

Golf course search by state

<http://golfingnear.com>

Email search by domain

<http://emailbydomain.com>

Auto manuals search

<http://auto.somanuals.com>

TV manuals search

<http://tv.somanuals.com>